

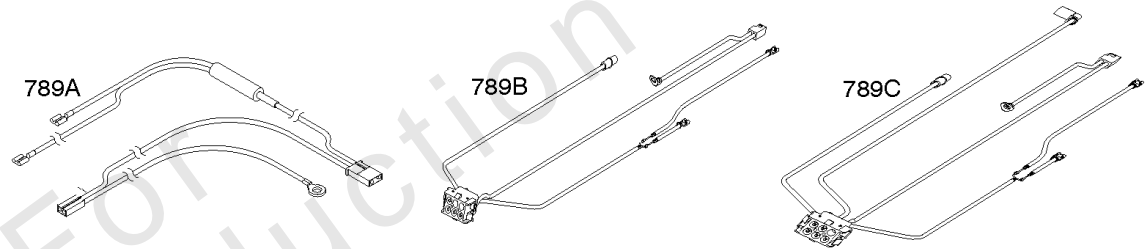
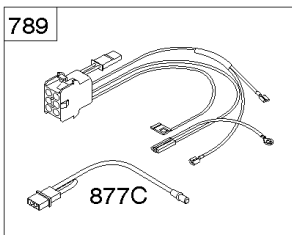
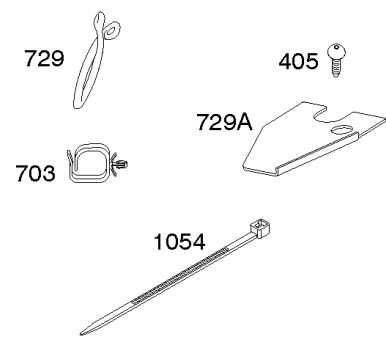
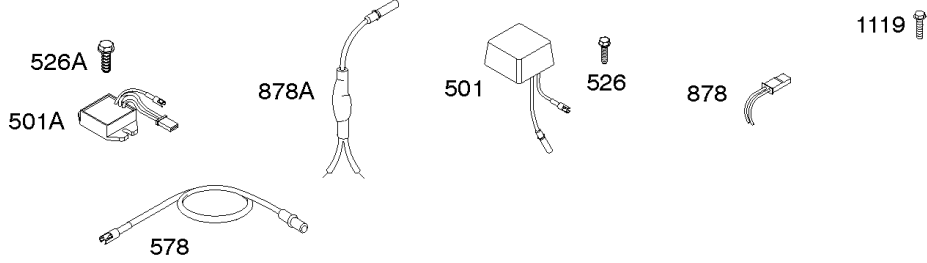
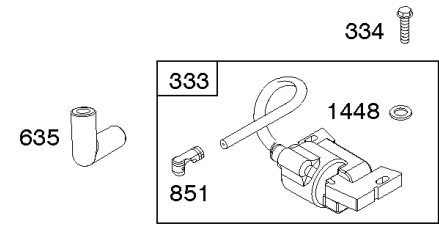
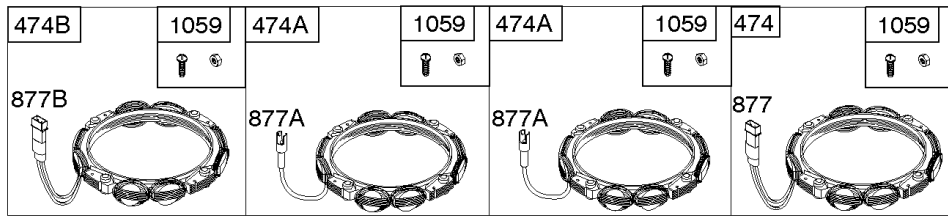


Parts Manual

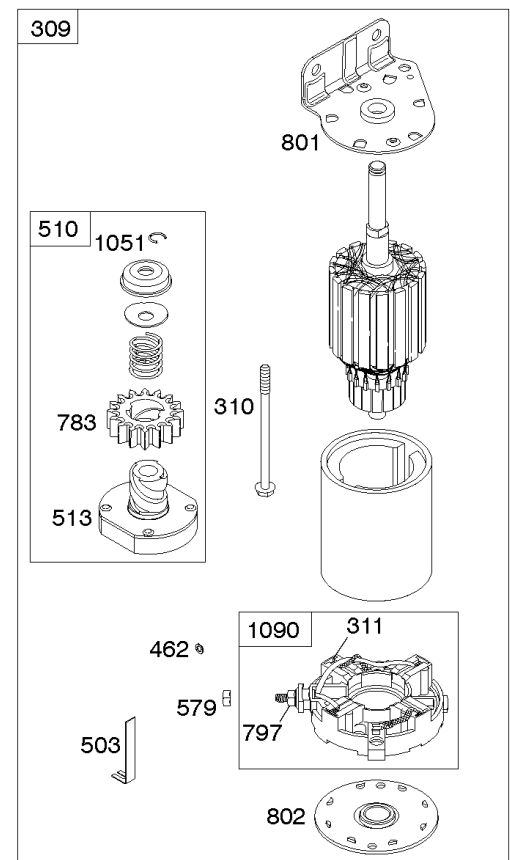
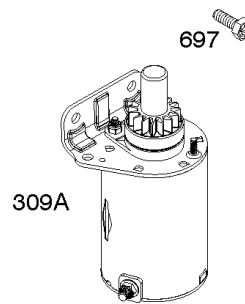
Mfg. No: 407777-0117-E1

Model Components	Page
Alternator, Wire Harness, Starter, Ignition.....	4
Blower Housing, Air Cleaner, Gasket Set - Valve.....	8
Blower Housing, Air Cleaner, Muffler.....	10
Carburetor, Fuel Supply.....	12
Cylinder Head, Rocker Arm Cover, Intake Manifold.....	18
Cylinder, Crankshaft, Camshaft, Air Guides, Piston, Rings, Connecting Rod.....	22
Engine Sump, Oil Pump, Dipstick/Tube Assembly.....	26
Engine/Valve Gasket Set, Carburetor Overhaul Kit.....	30
Flywheel, Controls.....	32
Replacement Engine - Europe, Middle East & Africa.....	34
Replacement Engine - US & Canada.....	35
Model 40, 44 & 49 Engine Accessories Catalog.....	36
Maintenance Kits.....	37
Engine Mounted Below Deck Mufflers.....	39
Engine Mounted Above Deck Mufflers.....	41
Spark Arrester/Deflector.....	43
Lubrication.....	45
Implement Mounted Above Deck Mufflers.....	47
Exhaust/Muffler Configurations.....	49
Electrical.....	51
Flywheel Guards.....	53
Speed Control.....	55
Muffler Mounting Hardware.....	57

Not For
Reproduction

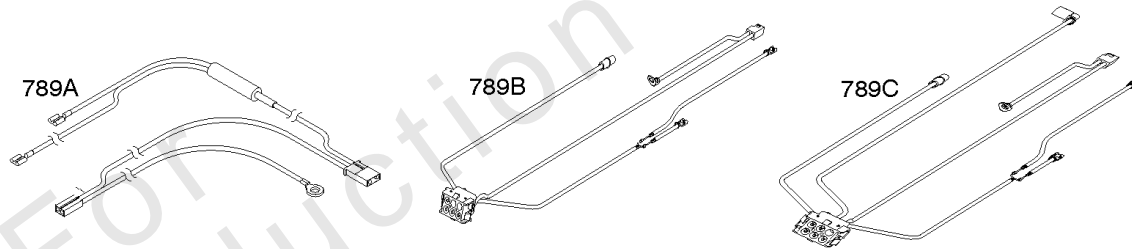
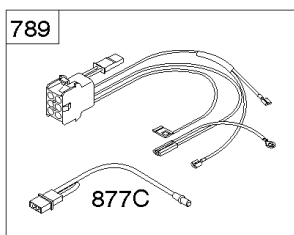
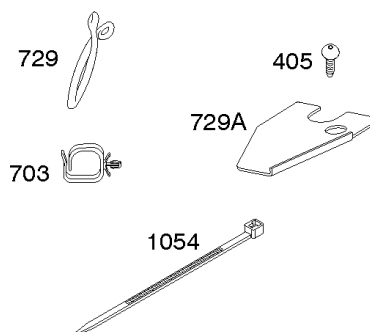
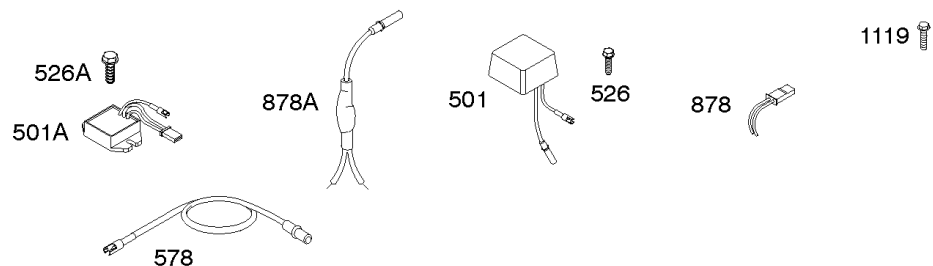
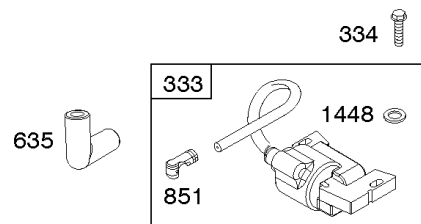
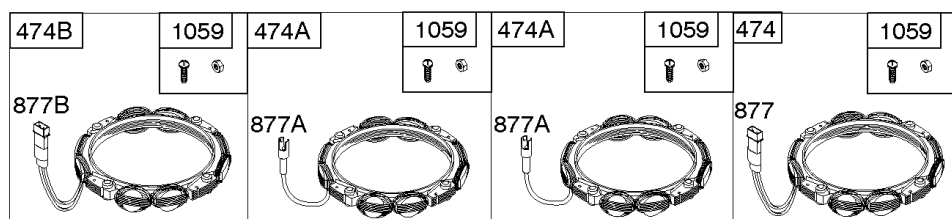


Not For Reproduction

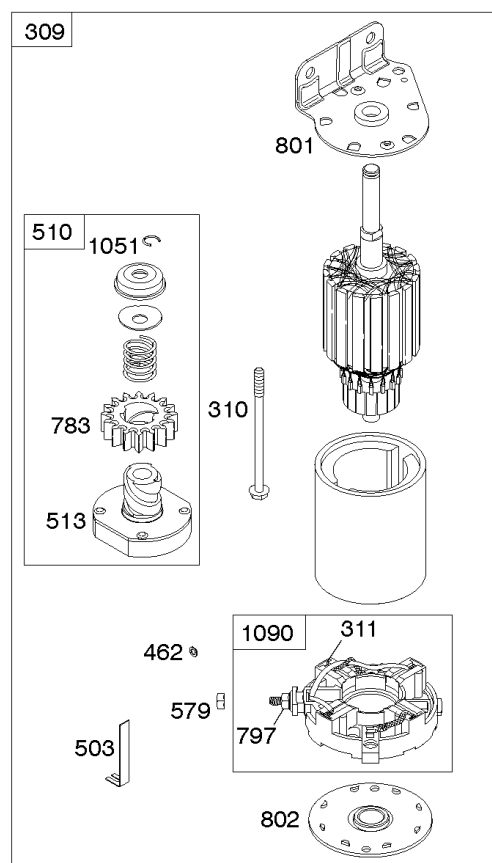
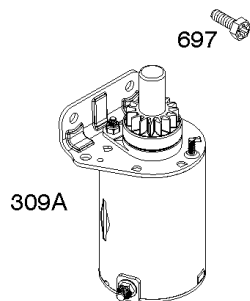


Alternator, Wire Harness, Starter, Ignition

REF NO	PART NO	QTY	DESCRIPTION
309	795121		MOTOR-STARTER
310	----		Screw -(Starter Motor) -Used Before Code Date 13042300
311	497608		SET, Brush
333	799651		ARMATURE, Magneto
334	691061		SCREW -(Magneto Armature)
405	697820		SCREW -(Back Plate) (Mounting)
462	691261		WASHER -(Starter Cable)
474	696459		ALTERNATOR -(Dual Circuit)
474A	696457		ALTERNATOR -(Tri Circuit Or 5/9 Amp. Regulated)
474B	696458		ALTERNATOR -(10 and 16 Amp Regulated)
501	794360		REGULATOR
501A	797375		REGULATOR
503	691532		STRAP, Starter
510	696541		DRIVE, Starter
513	692024		CLUTCH, Drive
526	691129		SCREW -(Regulator)
526A	691108		SCREW -(Regulator)
578	691208		WIRE ASSEMBLY -(18 Long-Used On Cylinder 2 Mounted Regulator)
578	797463		WIRE ASSEMBLY -(14 Long-Used On Cylinder 1 Mounted Regulator)
579	691029		NUT -(Starter Cable)
635	66538S		BOOT, Spark PLug
697	591909		SCREW -(Drive Cap)
703	691010		CLIP
729	694123		CLIP, Wire
729A	797454		CLIP, Wire
783	695708		GEAR-PINION
789	698330		HARNESS, Wiring -(6 Pin, #2 Side Regulator. Without EFM. Wire Assembly Includes Green Oil Pressure Switch Wire. Remove If Not Needed. Service Kit Includes Red Regulator To 2 Pin Jumper Wire.)
789A	591391		HARNESS, Wiring -(2 Pin, #1 And #2 Side Regulator. Without EFM.) -Used After Code Date 12042200
789A	691220		HARNESS, Wiring -(2 Pin, #1 And #2 Side Regulator. Without EFM.) -Used Before Code Date 12042300
789B	591392		HARNESS, Wiring -(6 Pin, #1 Side Regulator. Without EFM. Without Oil Pressure Switch.) -Used After Code Date 12042200
789C	591393		HARNESS, Wiring -(6 Pin, #1 Side Regulator. Without EFM. Without Oil Pressure Switch. Wire Assembly Includes Green Oil Pressure Switch Wire.) -Used After Code Date 12042200
789B	797424		HARNESS, Wiring -(6 Pin, #1 Side Regulator. Without EFM. Without Oil Pressure Switch.) -Used Before Code Date 12042300

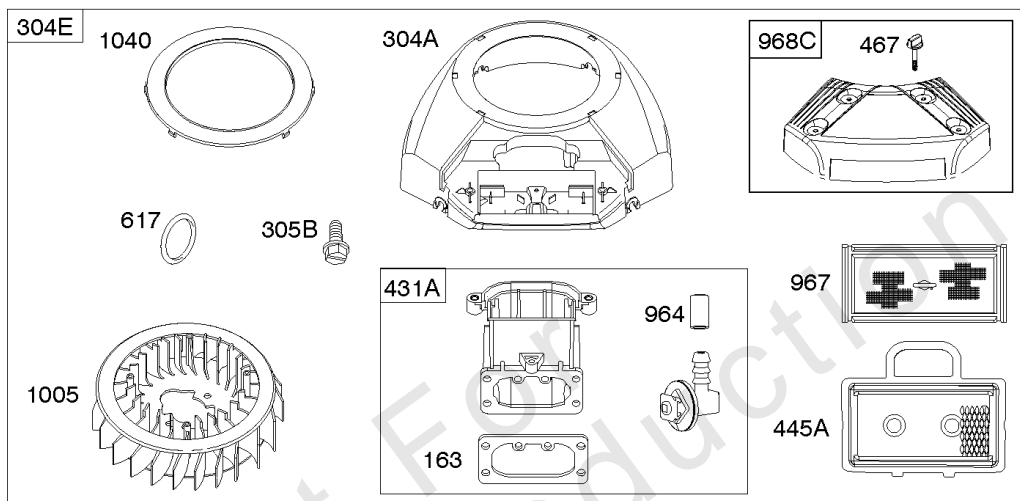
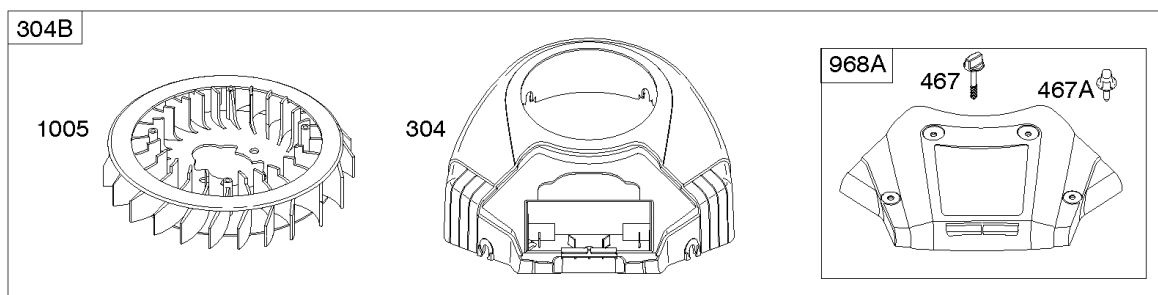


Not For Reproduction



Alternator, Wire Harness, Starter, Ignition

REF NO	PART NO	QTY	DESCRIPTION
789C	797460		HARNESS, Wiring -(6 Pin, #1 Side Regulator. Without EFM. Without Oil Pressure Switch. Wire Assembly Includes Green Oil Pressure Switch Wire.) -Used Before Code Date 12042300
797	693167		NUT -(Brush Retainer)
801	691283		CAP, Drive
802	691286		CAP, End
851	493880S		TERMINAL-SPARK PLUG
877	393456		WIRE/CONNECTOR, Alternator
877A	393537		WIRE/CONNECTOR, Alternator -(Tri Circuit) (9 Amp)
877B	399916		WIRE/CONN-ALTERNATOR
877C	790544		WIRE/CONNECTOR, Alternator
878	398661		HARNESS, Wiring
878A	691955		HARNESS, Alternator
1051	691265		RING, Retaining
1054	280275		TIE, Cable
1059	698516		KIT, Screw/Washer
1090	691293		RETAINER, Brush
1119	691183		SCREW -(Alternator)
1448	690260		WASHER -(Magneto Armature)

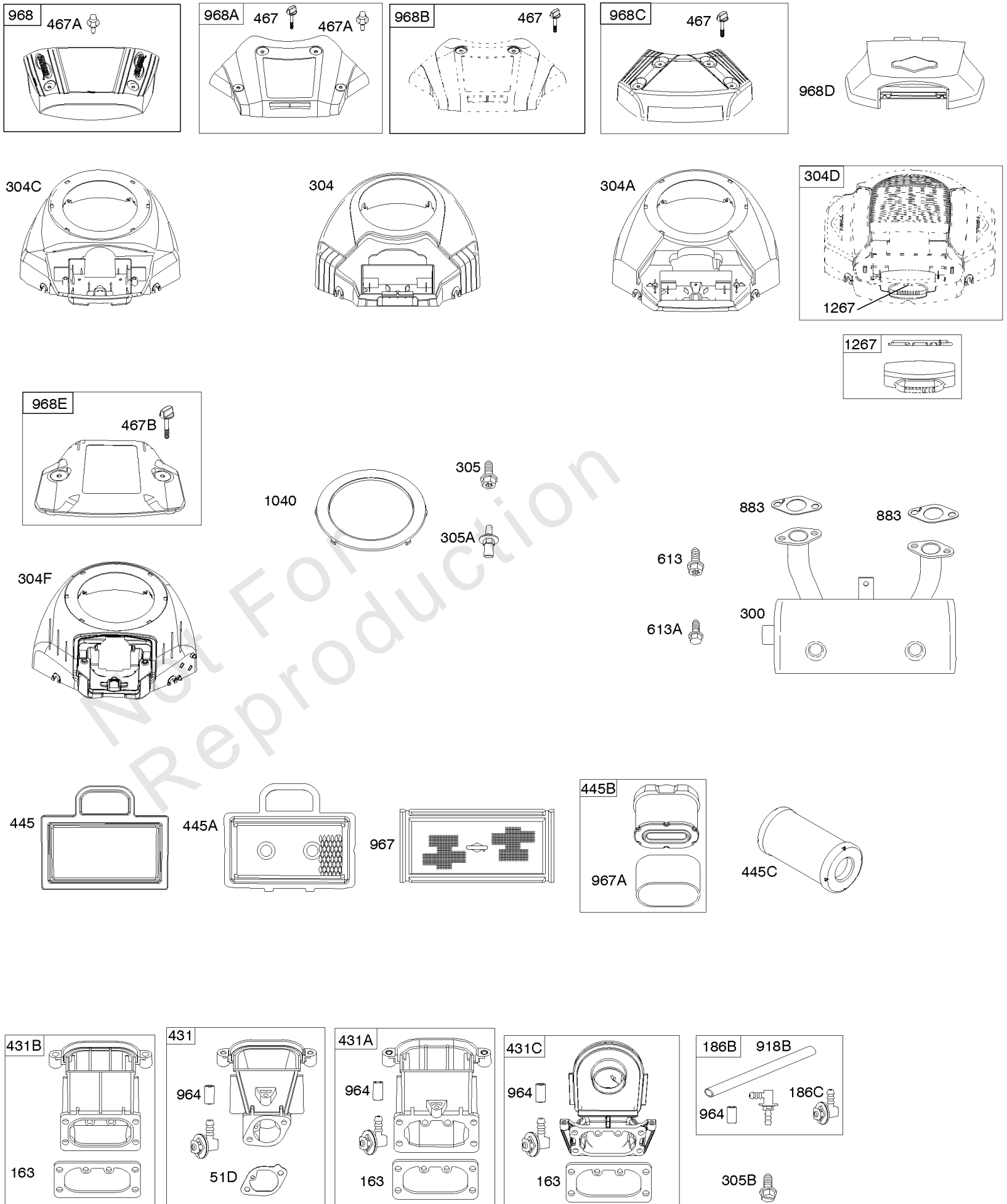


Blower Housing, Air Cleaner, Gasket Set - Valve

REF NO	PART NO	QTY	DESCRIPTION
163	691001		GASKET, Air Cleaner
304	790688		HOUSING, Blower -Used After Code Date 04100500 -Used Before Code Date 06103000
304A	799954		HOUSING-BLOWER -Used After Code Date 06102900
304B	790692		HOUSING, Blower -(Black) -Used Before Code Date 04100600
305B	790690		SCREW -(Blower Housing) (Blower Housing To Intake Elbow)
431A	798859		MANIFOLD, Intake -(EVAP) -Used After Code Date 04080300
467	691008		KNOB, Air Cleaner Cover -(1 1/2)
467A	790697		KNOB, Air Cleaner Cover -(1" Long)
617	697891		SEAL, O-Ring -(Intake Manifold)
964	799159		CAP, Connector
967	273638S		FILTER-PRE CLEANER
968A	790689		COVER, Air Cleaner -(Black-Compatible With Panel Style Filter)
968C	791242		COVER, Air Cleaner -(Black-Compatible With Panel Style Filter)
1005	791236		FAN, Flywheel -Used After Code Date 06102900
1005	499603		FAN, Flywheel -Used Before Code Date 04072000
1005	790698		FAN, Flywheel -Used After Code Date 04071900 -Used Before Code Date 06103000
1040	791237		PLATE, Trim

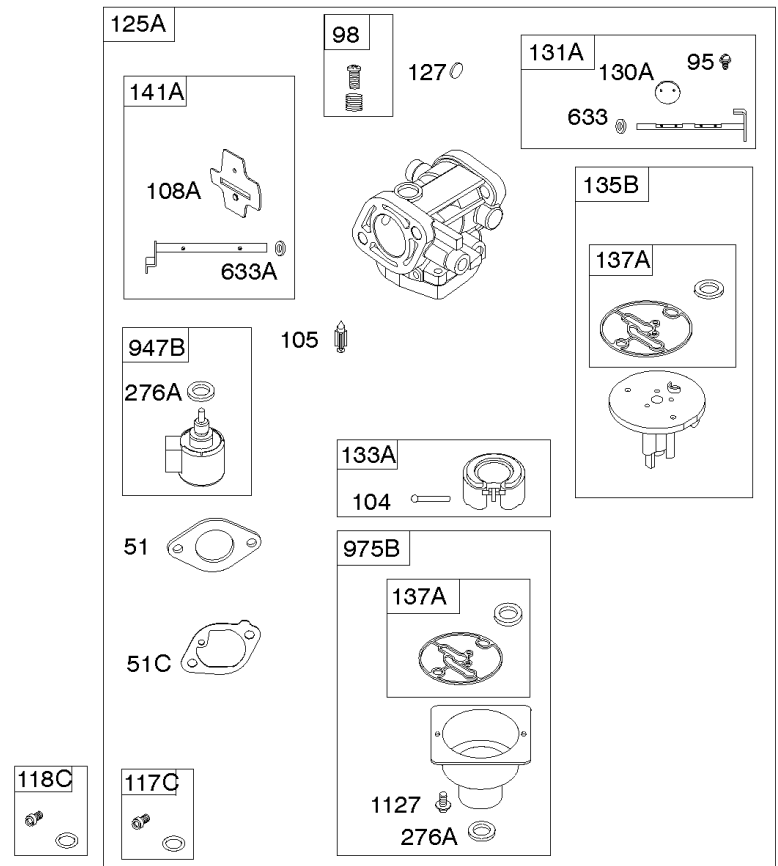
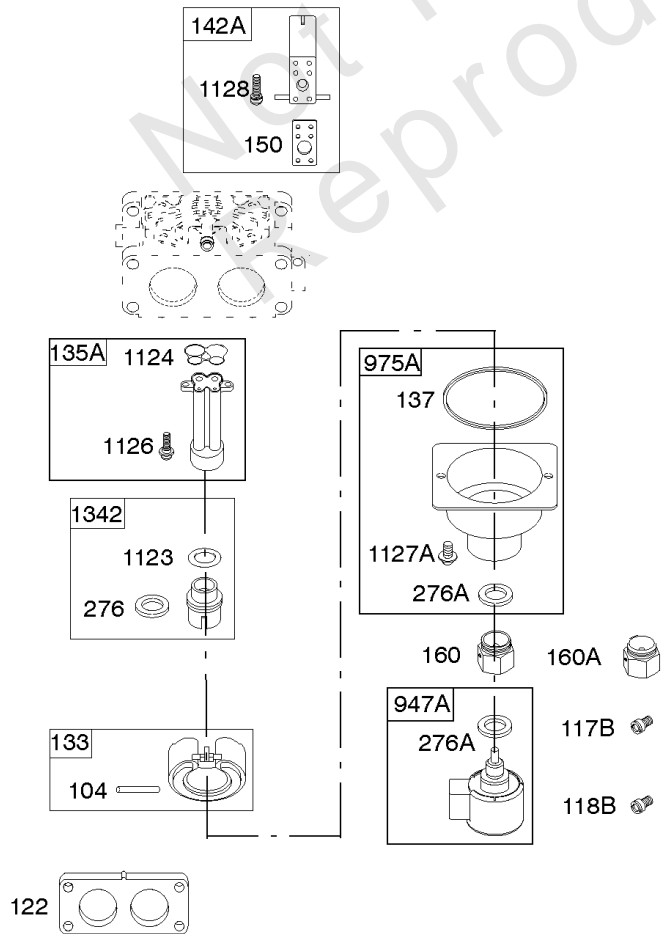
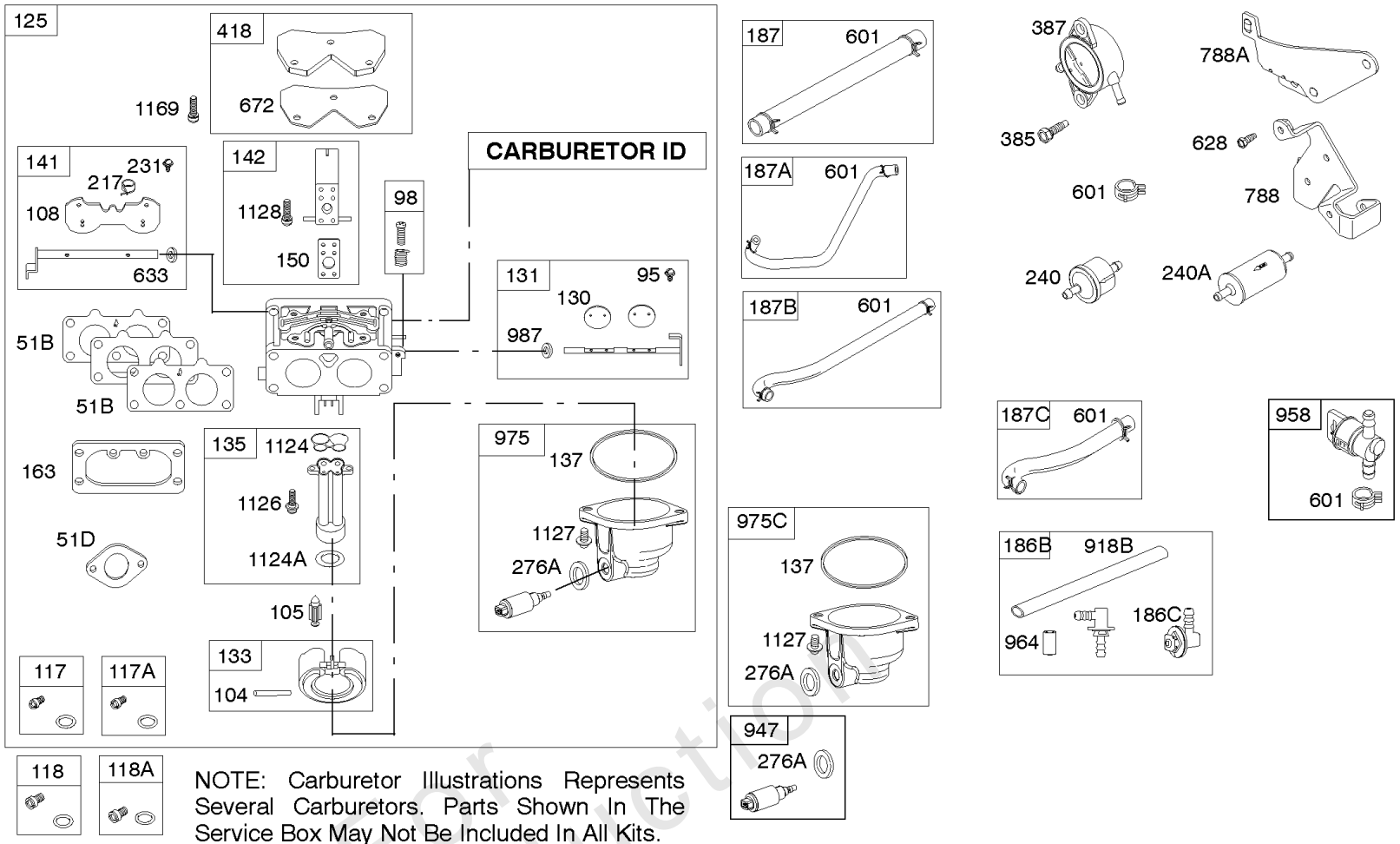
Blower Housing, Air Cleaner, Muffler

Mfg. No: 407777-0117-E1



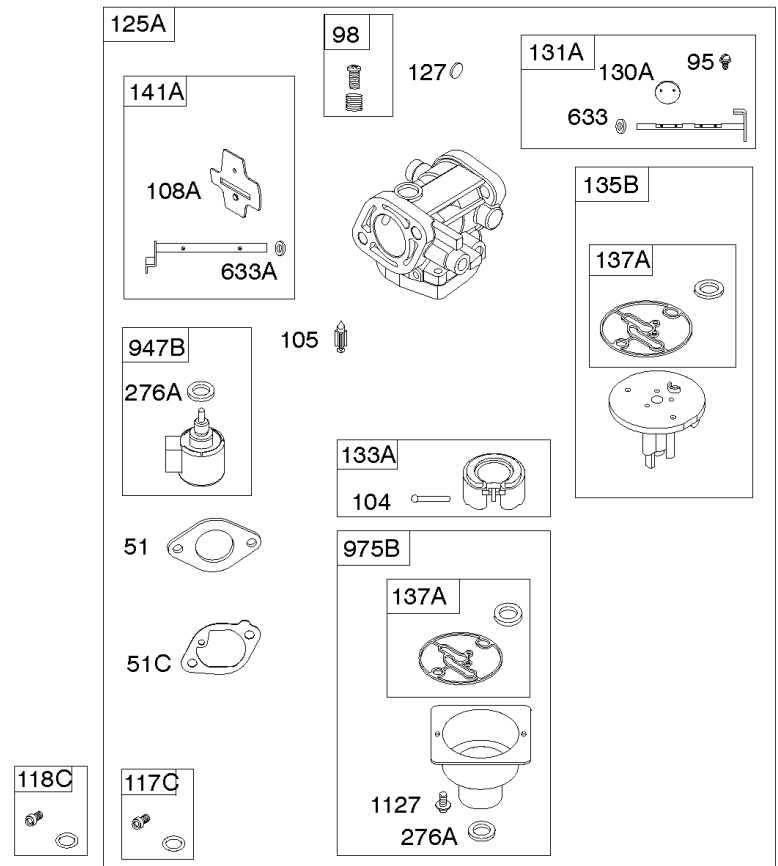
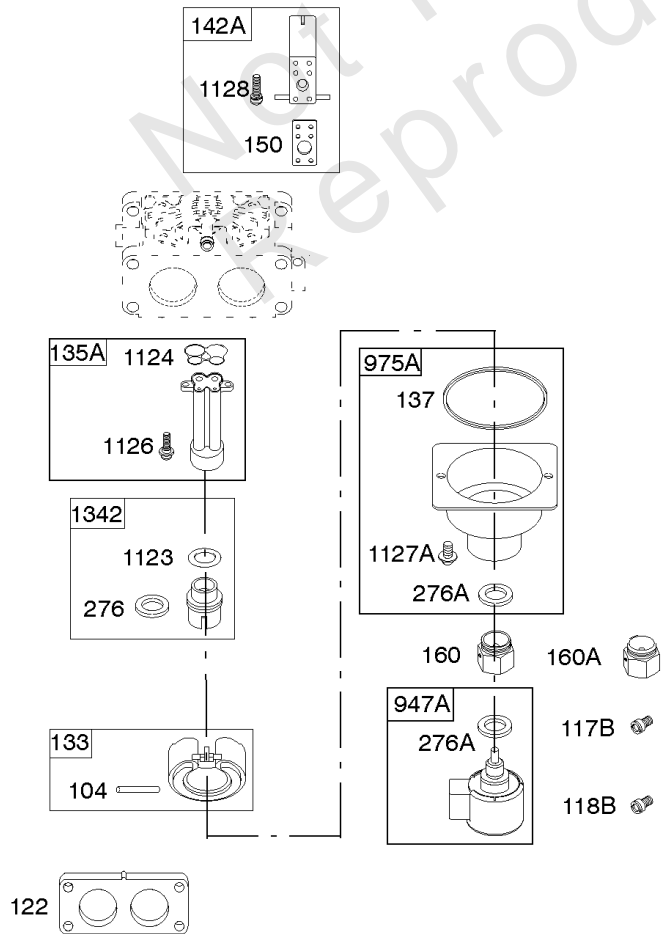
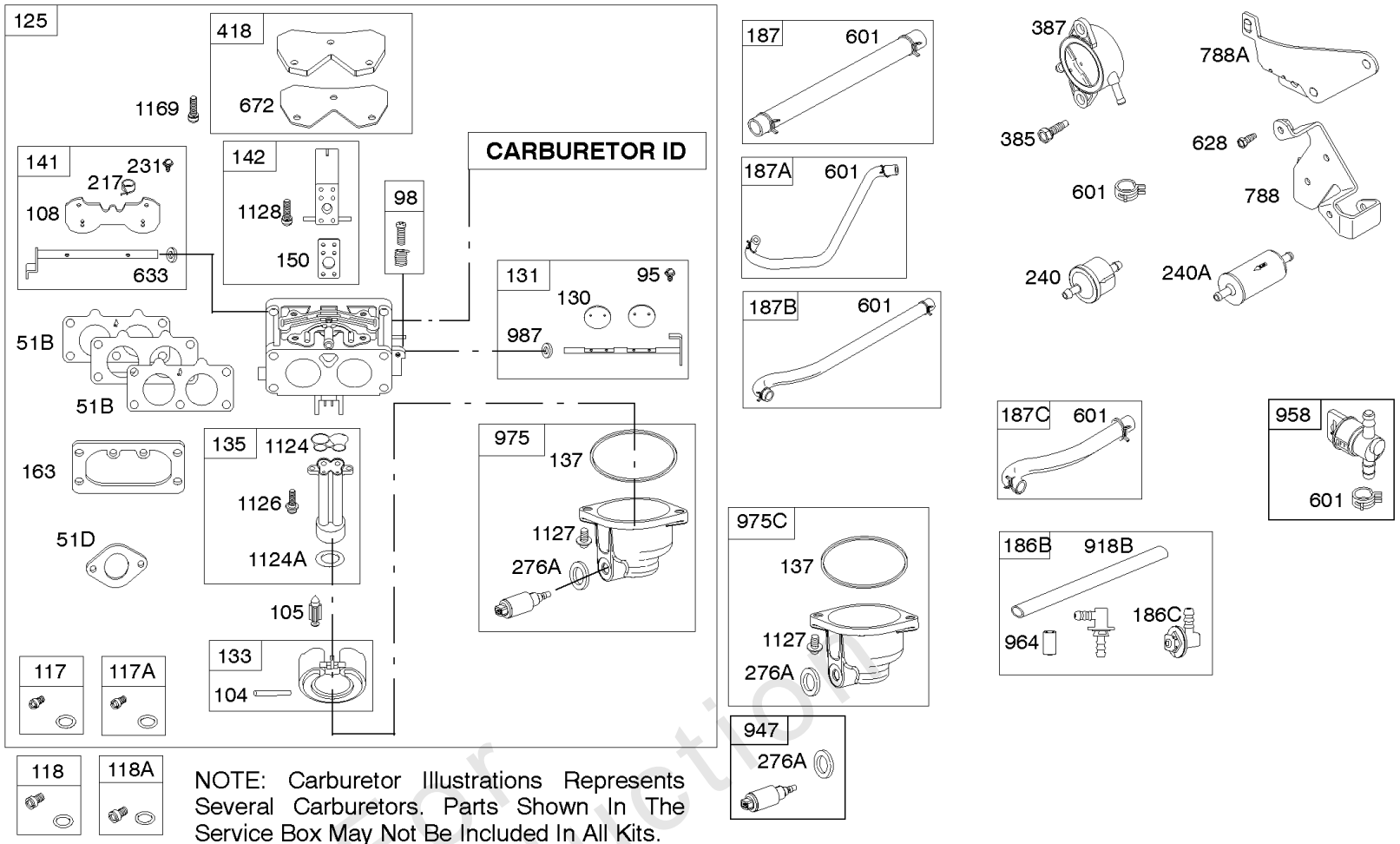
Blower Housing, Air Cleaner, Muffler

REF NO	PART NO	QTY	DESCRIPTION
51D	690949		GASKET, Intake
163	691001		GASKET, Air Cleaner
186B	799158		CONNECTOR, Hose -(EVAP)
186C	845141		CONNECTOR, Hose -(EVAP)
300	696226		MUFFLER
304	790688		HOUSING, Blower -Used After Code Date 04100500 -Used Before Code Date 06103000
304A	799954		HOUSING-BLOWER -Used After Code Date 06102900
305	691005		SCREW -(Blower Housing)
305A	698336		SCREW -(Blower Housing)
305B	790690		SCREW -(Blower Housing) (Blower Housing To Intake Elbow)
431A	798859		MANIFOLD, Intake -(EVAP) -Used After Code Date 04080300
431B	691011		ADAPTER, Air Cleaner -Used Before Code Date 04080400
445	499486S		FILTER-A/C CARTRIDGE -(Flat Panel)
467	691008		KNOB, Air Cleaner Cover -(1 1/2)
467A	790697		KNOB, Air Cleaner Cover -(1" Long)
467B	591660		KNOB, Air Cleaner Cover -(7/8" Long)
613	690341		SCREW -(Muffler)
613A	690297		SCREW -(Muffler)
883	690970		GASKET, Exhaust
918B	799160		HOSE, Vacuum -(Length 9.4 Inches)
964	799159		CAP, Connector
967	273638S		FILTER-PRE CLEANER
968A	790689		COVER, Air Cleaner -(Black-Compatible With Panel Style Filter)
968B	790095		COVER, Air Cleaner -(Black-Compatible With Panel Style Filter) -Used Before Code Date 04080400
968E	591658		COVER, Air Cleaner -(Black-Compatible With Canister Style Filter)
968D	790096		COVER, Air Cleaner -(Black-Compatible With Panel Style Filter)
968C	791242		COVER, Air Cleaner -(Black-Compatible With Panel Style Filter)
1040	791237		PLATE, Trim



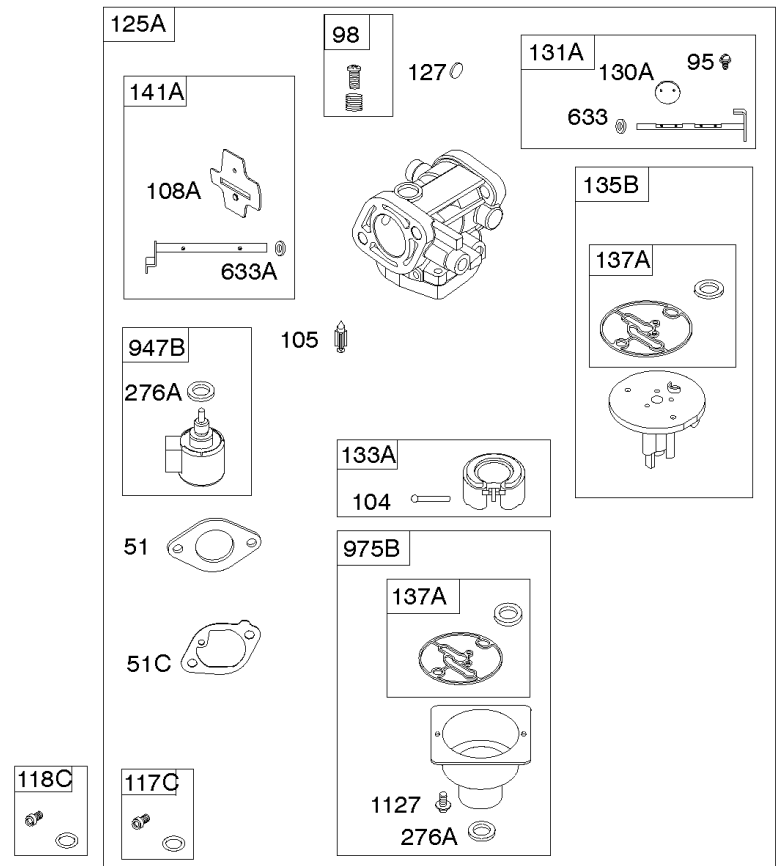
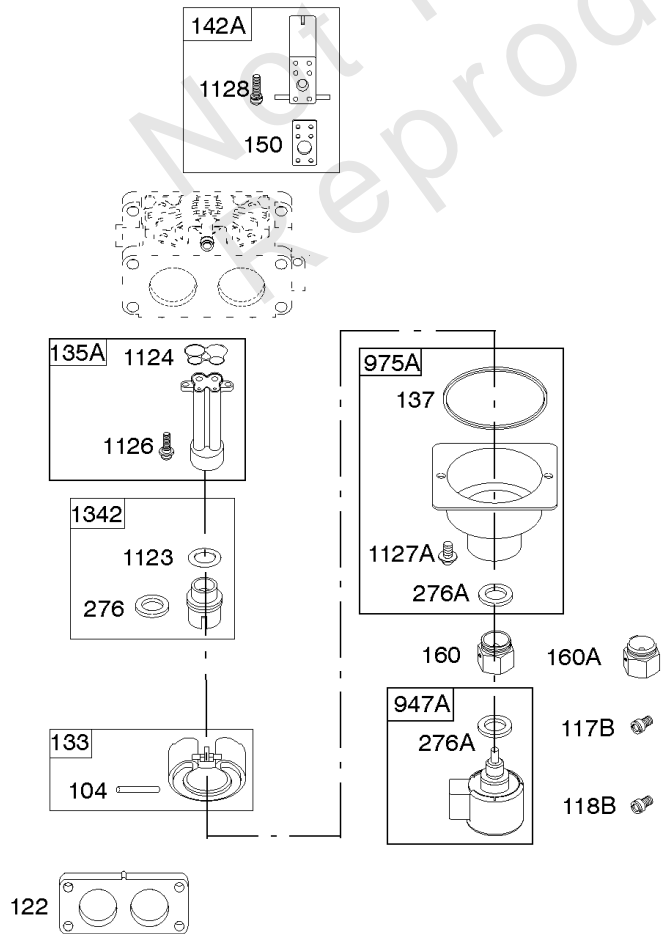
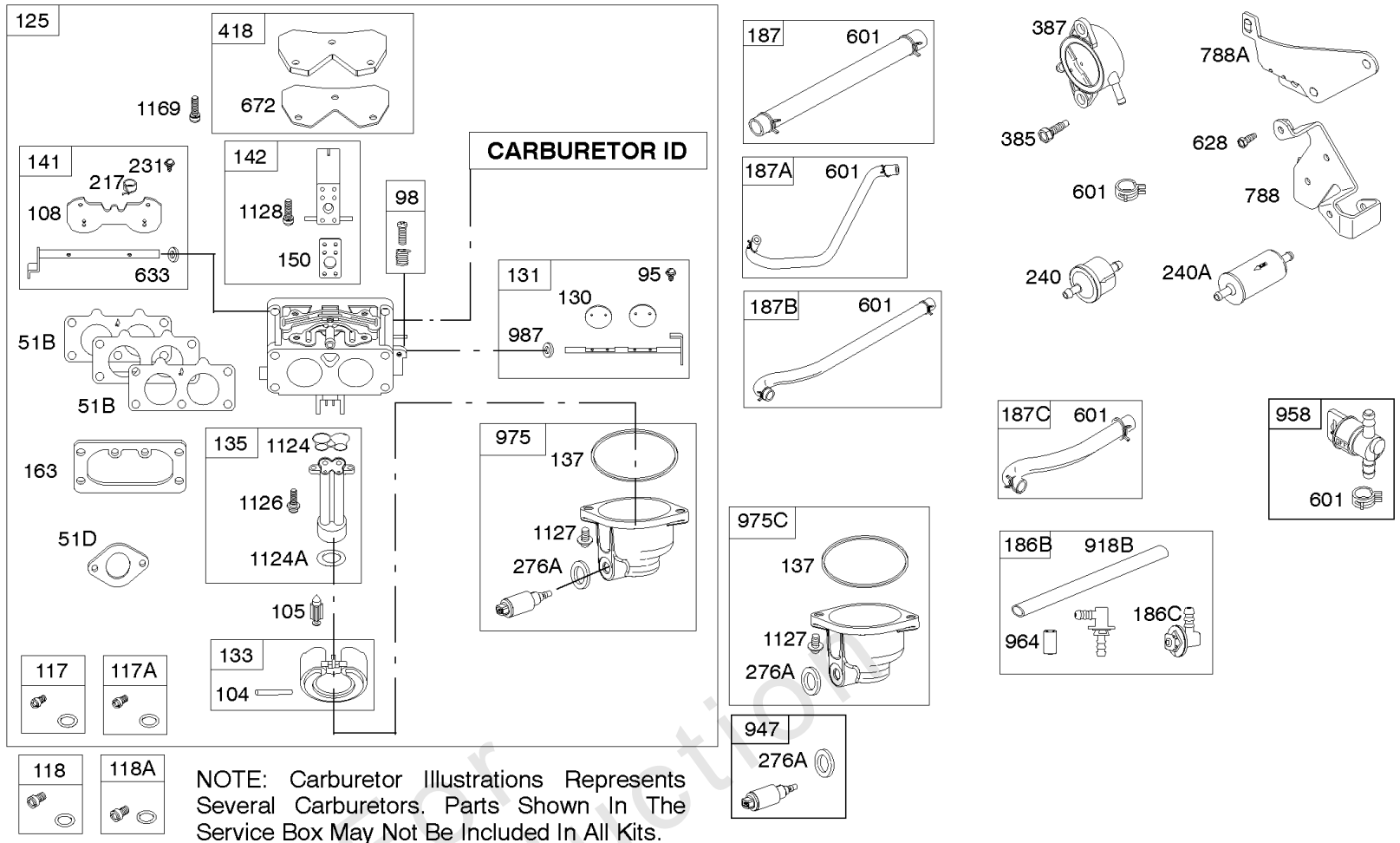
Carburetor, Fuel Supply

REF NO	PART NO	QTY	DESCRIPTION
51	699803		GASKET, Intake
51B	690950		GASKET, Intake
51C	699800		GASKET, Intake
51D	690949		GASKET, Intake
95	690718		SCREW -(Throttle Valve)
98	699721		KIT, Idle Speed
104	694918		PIN, Float Hinge
105	797410		VALVE, Float Needle
108	699723		VALVE, Choke
117	792296		JET, Main -(Standard) (Left)(Nikki) -Used After Code Date 04091400 -Used Before Code Date 06111400
117	791501		JET, Main -(Standard) (Left)(Nikki) -Used After Code Date 06111300
117A	842627		JET, Main -(Standard) (Right)(Nikki) -Used After Code Date 04091400 -Used Before Code Date 06111400
117A	791502		JET, Main -(Standard) (Right)(Nikki) -Used After Code Date 06111300
117B	690232		JET, Main -(Standard) -Used Before Code Date 04091500
118	790890		JET, Main -(High Altitude) (Left)(Nikki) -Used After Code Date 04091400 -Used Before Code Date 06111400
118	695415		JET, Main -(High Altitude) (Left)(Nikki) -Used After Code Date 06111300
118A	699458		JET, Main -(High Altitude) (Right)(Nikki) -Used After Code Date 04091400 -Used Before Code Date 06111400
118A	843099		JET, Main -(High Altitude) (Right)(Nikki) -Used After Code Date 06111300
118B	690989		JET, Main -(High Altitude) -Used Before Code Date 04091500
122	690952		SPACER, Carburetor -Used Before Code Date 00102000
125	796258		CARBURETOR -(Choke A Matic)
125	791230		CARBURETOR -(Manual Choke)
130	690993		VALVE, Throttle
131	499805		KIT, Throttle Shaft
133	699724		FLOAT, Carburetor
135	699729		TUBE, Fuel Transfer -Used After Code Date 04091400
135A	499803		TUBE, Fuel Transfer -Used Before Code Date 04091500
137	690994		GASKET, Float Bowl
141	796228		KIT, Choke Shaft
142	699726		NOZZLE, Carburetor -(Standard) -Used After Code Date 04091400



Carburetor, Fuel Supply

REF NO	PART NO	QTY	DESCRIPTION
142A	499808		NOZZLE, Carburetor -(Standard) -Used Before Code Date 04091500
150	841649		GASKET, Nozzle
160	699727		RETAINER, Solenoid -Used After Code Date 04091400
160A	690996		RETAINER, Solenoid -Used Before Code Date 04091500
163	691001		GASKET, Air Cleaner
186B	799158		CONNECTOR, Hose -(EVAP)
186C	845141		CONNECTOR, Hose -(EVAP)
187	791766		LINE, Fuel -(Cut To Required Length)
187A	791872		LINE, Fuel -(Formed Hose)
187B	791744		LINE, Fuel -(Formed)(Cut To Required Length)
187C	791801		HOSE, Vacuum -(Formed)(Cut To Required Length)
217	799771		SPRING, Choke Return
231	690718		SCREW -(Choke Valve)
240	84001895		FILTER, Fuel -(Includes Paper Element With A 40 Micron Rating)
240A	695666		FILTER, Fuel -(Includes Paper Element With A 30 Micron Rating)
276	690997		WASHER, Sealing -Fiber
276A	695410		WASHER, Sealing -Aluminum Float Bowl
276A	794271		WASHER, Sealing -Steel Float Bowl
385	797409		SCREW -(Fuel Pump) (Fuel Pump Mounted To Blower Housing)
385	691108		SCREW -(Fuel Pump) (Fuel Pump Mounted To Fuel Pump Bracket)
387	808656		PUMP, Fuel
418	795912		PLATE, Carburetor Cover
601	691038		CLAMP, Hose -(Black)
601	791850		CLAMP, Hose -(Green)
628	691108		SCREW -(Fuel Pump Bracket)
633	699813		SEAL, Choke/Throttle Shaft -(Choke A Matic)
633	690998		SEAL, Choke/Throttle Shaft -(Manual Choke)
672	690234		GASKET, Carburetor Plate
788	691039		BRACKET, Fuel Pump -Used Before Code Date 06090500
788A	793145		BRACKET, Fuel Pump -Used After Code Date 06090400
918B	799160		HOSE, Vacuum -(Length 9.4 Inches)

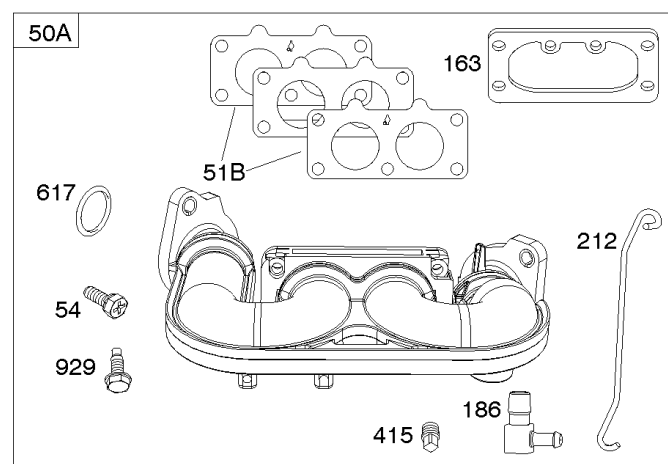
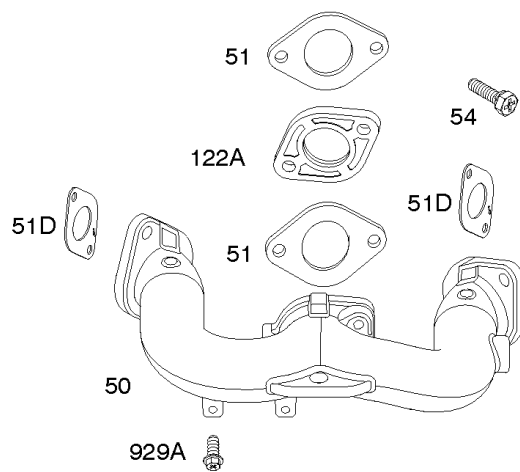
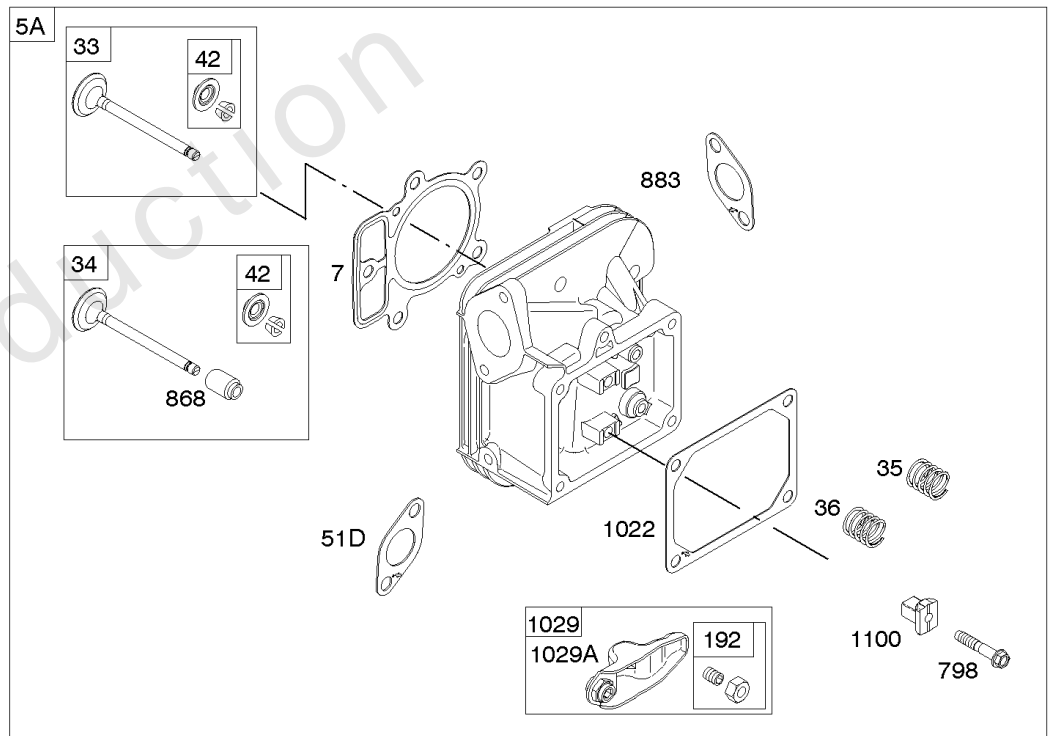
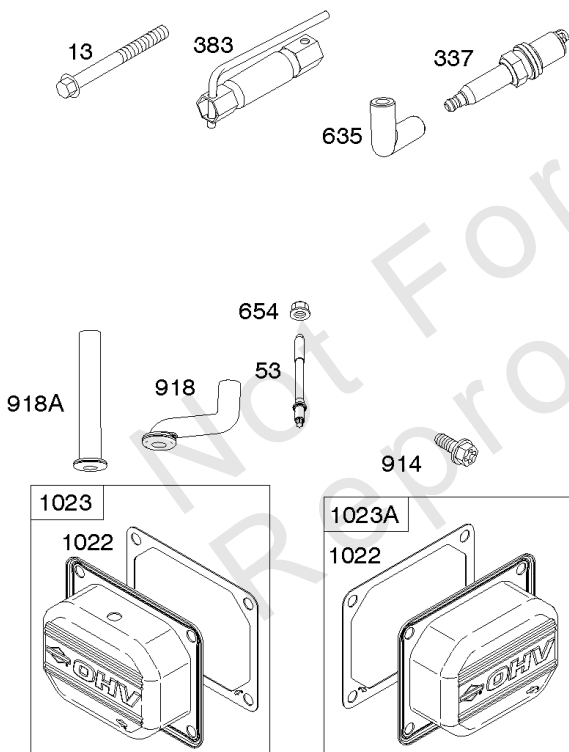
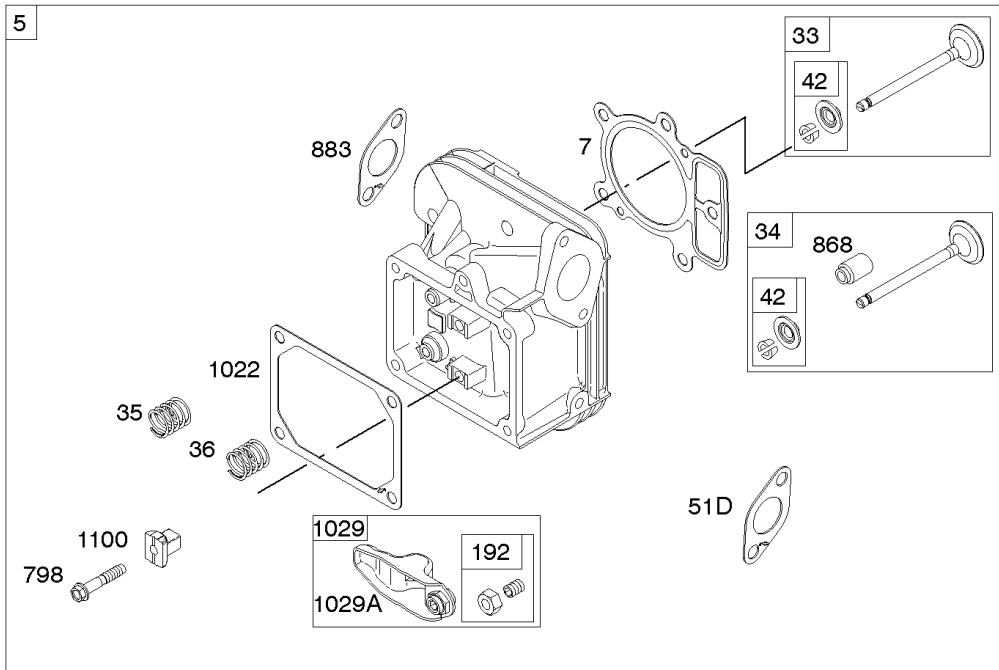


Carburetor, Fuel Supply

REF NO	PART NO	QTY	DESCRIPTION
947	-----		Solenoid-Fuel -(No Longer Available. Used On Double Barrel Steel Bowl Carburetors. MustService With Reference 975 Bowl/Solenoid Kit.) -Used After Code Date 04080300
947	798779		SOLENOID, Fuel -(Used On Double Barrel Aluminum Bowl Carburetors)
947A	499809		SOLENOID, Fuel -(Used On Double Barrel Steel Bowl Carburetors) -Used Before Code Date 04080400
964	799159		CAP, Connector
975	798778		BOWL, Float -(Used On Double Barrel Steel And Aluminum Bowl Carburetors) -Used After Code Date 04080300
975A	499810		BOWL, Float -(Used On Double Barrel Steel Bowl Carburetors) -Used Before Code Date 04080400
987	691000		SEAL, Throttle Shaft
1123	690987		SEAL, O-Ring -(Solenoid Retainer) -Used Before Code Date 04091500
1123	699725		SEAL, O-Ring -(Solenoid Retainer) -Used After Code Date 04091400
1124	690988		SEAL, O-Ring -(Fuel Transfer Tube)
1124A	841653		SEAL, O-Ring -(Fuel Transfer Tube)
1126	690991		SCREW -(Fuel Transfer Tube)
1127	695407		SCREW -(Float Bowl) (Float Bowl to Carburetor Body) Aluminum Float Bowl
1127A	690992		SCREW -(Float Bowl to Carburetor Body) Steel Float Bowl
1128	690990		SCREW -(Carburetor Nozzle)
1169	690990		SCREW -(Carburetor Cover Plate)
1342	699731		EXTENSION, Fuel Transfer Tube -(Used On Double Barrel Steel Bowl Carburetors)

Cylinder Head, Rocker Arm Cover, Intake Manifold

Mfg. No: 407777-0117-E1

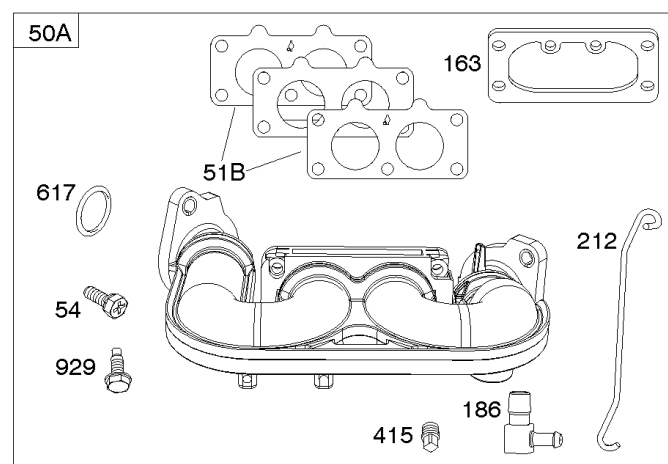
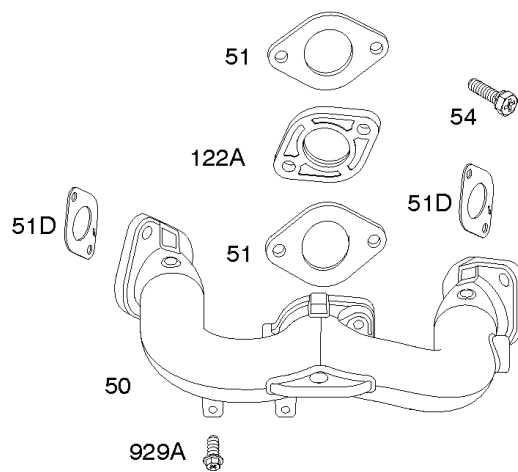
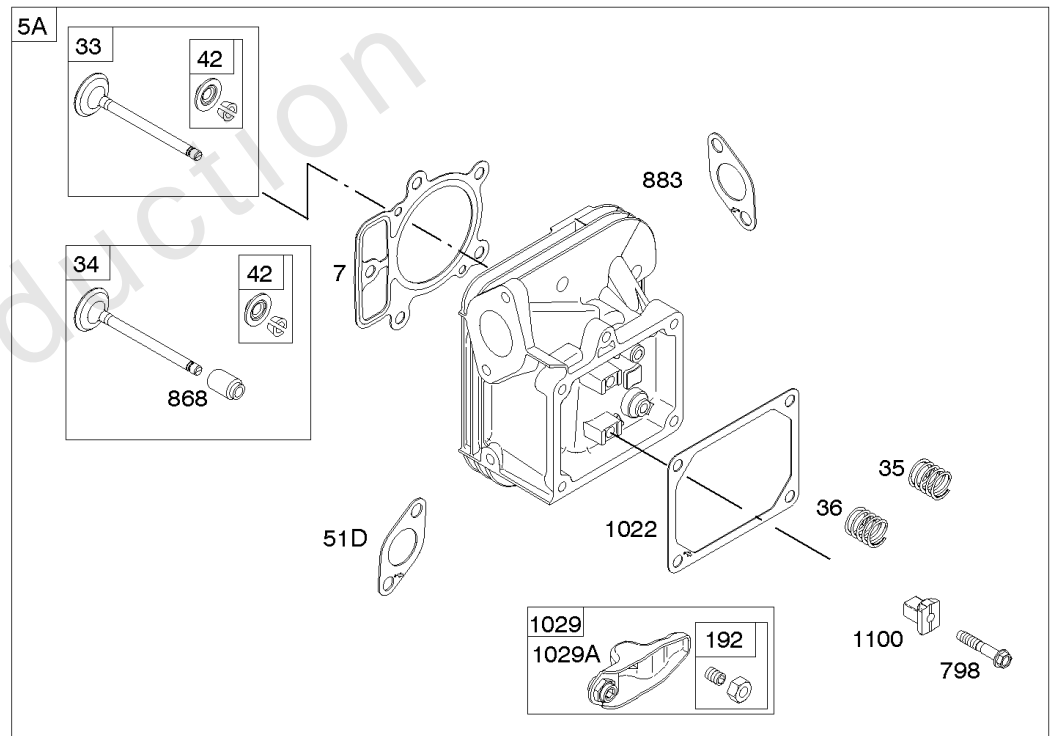
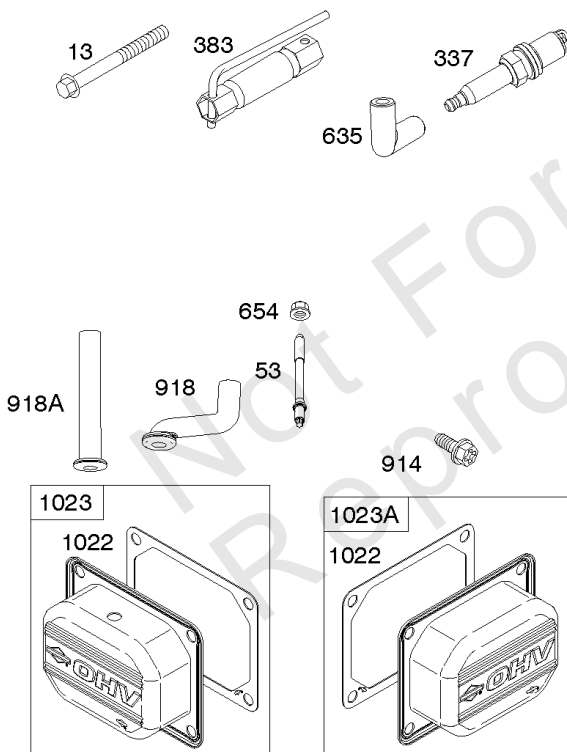
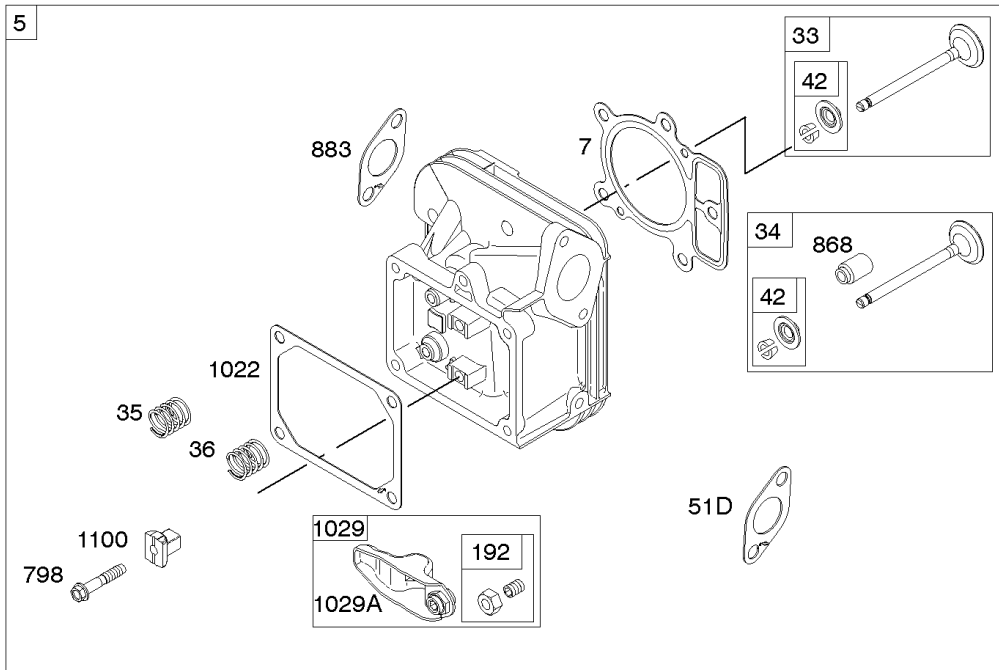


Cylinder Head, Rocker Arm Cover, Intake Manifold

REF NO	PART NO	QTY	DESCRIPTION
5	796632		HEAD, Cylinder -(Cylinder 1)
5A	796633		HEAD, Cylinder -(Cylinder 2)
7	693997		GASKET, Cylinder Head
13	793988		SCREW -(Cylinder Head) -Used After Code Date 08063000
13	791130		SCREW -(Cylinder Head) -Used Before Code Date 08070100
33	697576		VALVE, Exhaust -(Chrome)
34	792200		VALVE, Intake
35	694865		SPRING, Valve -(Intake)
36	694865		SPRING, Valve -(Exhaust)
42	499586		KEEPER, Valve
45	690977		TAPPET, Valve
50A	591784		MANIFOLD, Intake -Used After Code Date 12040200
50A	695241		MANIFOLD, Intake -Used Before Code Date 12040300
51	699803		GASKET, Intake
51B	690950		GASKET, Intake
51D	690949		GASKET, Intake
53	690951		STUD -(Carburetor)
54	699816		SCREW -(Intake Manifold)
163	691001		GASKET, Air Cleaner
186	795985		CONNECTOR, Hose
192	690083		ADJUSTER, Rocker Arm
212	695238		LINK, Throttle
337	691043		PLUG, Spark
383	19576S		WRENCH, Spark Plug
415	794903		PLUG
617	697891		SEAL, O-Ring -(Intake Manifold)
635	66538S		BOOT, Spark PLug
654	690958		NUT -(Carburetor)
798	697890		SCREW -(Rocker Arm)
868	690968		SEAL, Valve
883	690970		GASKET, Exhaust
914	691127		SCREW -(Rocker Cover)
918	793147		HOSE, Vacuum -(Formed Hose)
918A	596163		HOSE, Vacuum -Used Before Code Date 19091800
918A	593641		HOSE, Vacuum -Used After Code Date 19091700
929	695239		SCREW -(Choke Control Bracket)

Cylinder Head, Rocker Arm Cover, Intake Manifold

Mfg. No: 407777-0117-E1



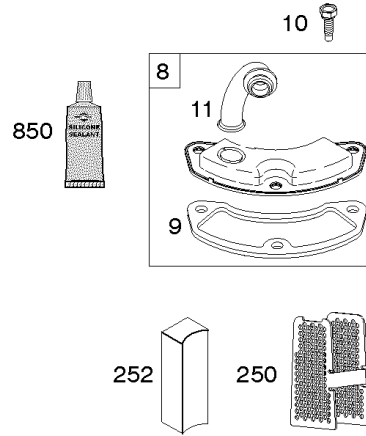
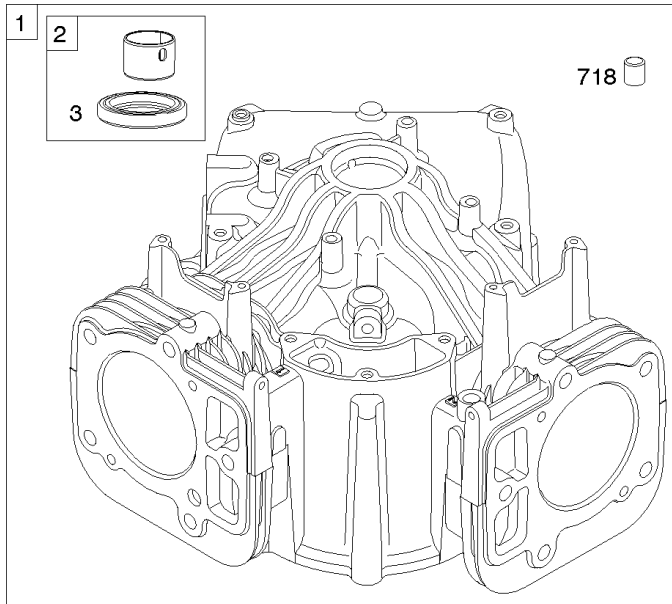
Cylinder Head, Rocker Arm Cover, Intake Manifold

REF NO	PART NO	QTY	DESCRIPTION
1022	690971		GASKET, Rocker Cover
1023	499599		COVER, Rocker -(Cylinder 1) -Used Before Code Date 06090500
1023	793146		COVER, Rocker -(Cylinder #1) -Used After Code Date 06090400
1023A	499600		COVER, Rocker -(Cylinder #2)
1026	690981		ROD, Push -(Steel)
1026A	690982		ROD, Push -(Aluminum)
1029	690972		ARM, Rocker
1029A	807323		ARM, Rocker
1100	791959		PIVOT, Rocker Arm

Not For Reproduction

Cylinder, Crankshaft, Camshaft, Air Guides, Piston, Rings, Connecting Rod

Mfg. No: 407777-0117-E1



1319 WARNING LABEL

REQUIRED when replacing parts with warning labels affixed.

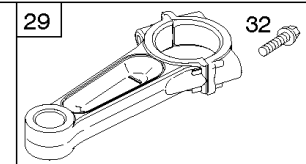
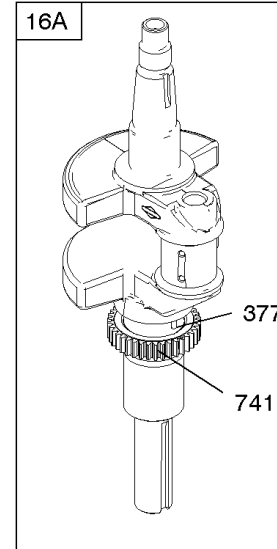
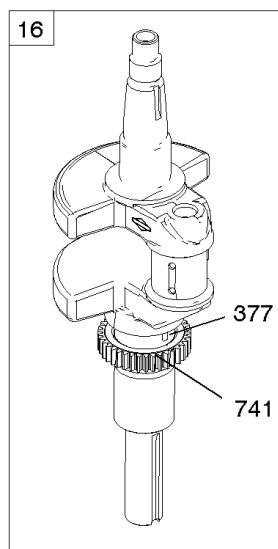
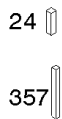
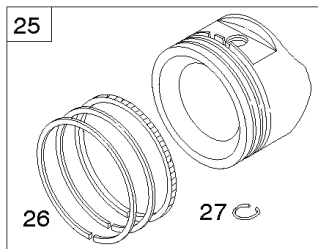
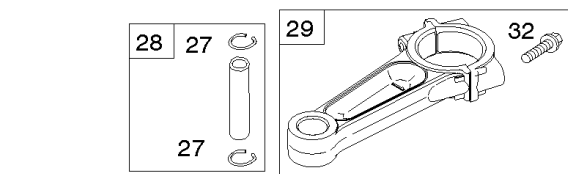
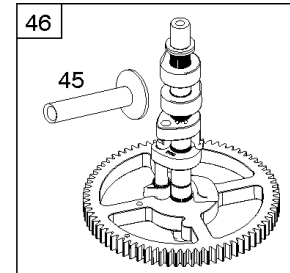
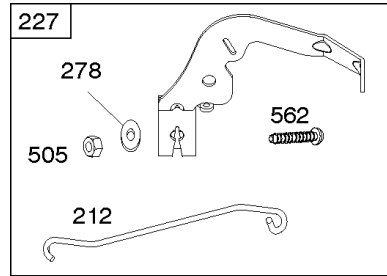
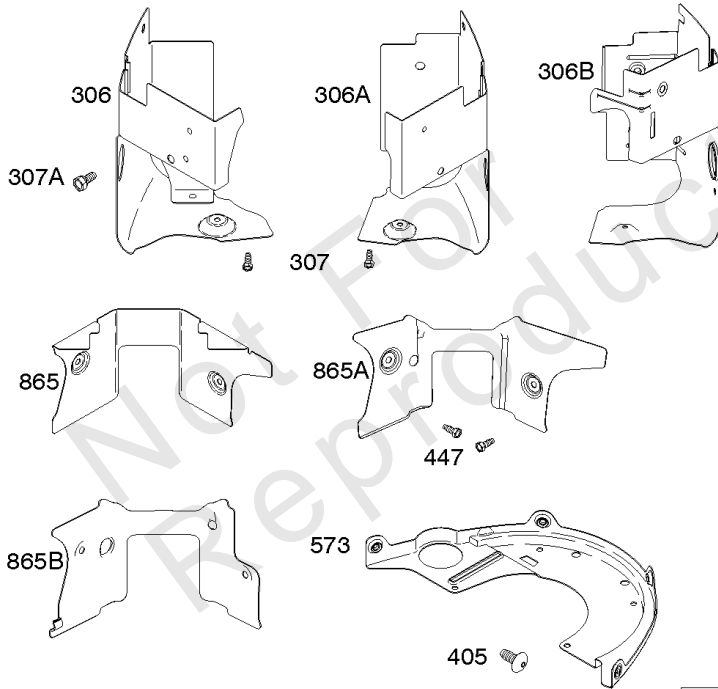
1319A WARNING LABEL

REQUIRED when replacing parts with warning labels affixed.

1058 OPERATOR'S MANUAL

1330 REPAIR MANUAL

1036 EMISSIONS LABEL

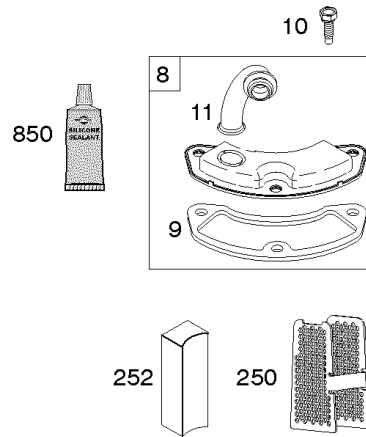
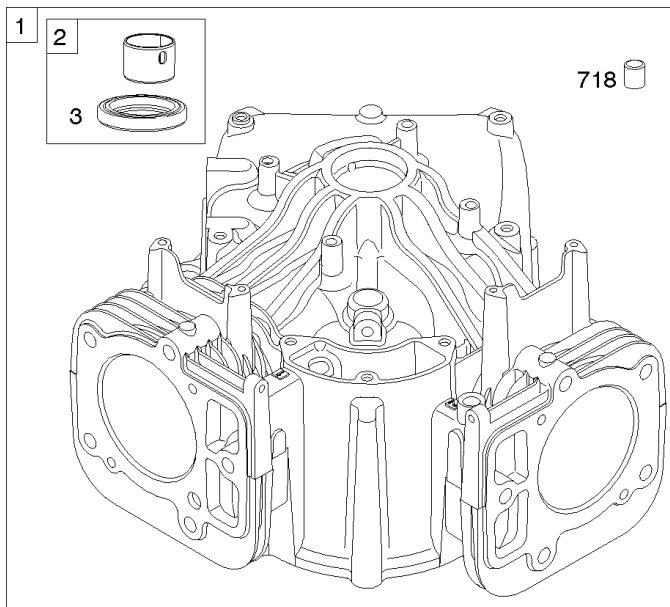


Cylinder, Crankshaft, Camshaft, Air Guides, Piston, Rings, Connecting Rod

REF NO	PART NO	QTY	DESCRIPTION
1	591694		CYLINDER ASSEMBLY -Used After Code Date 12051300
1	699751		CYLINDER ASSEMBLY -Used After Code Date 03082800 -Used Before Code Date 07071000
1	795118		CYLINDER ASSEMBLY -Used After Code Date 07070900 -Used Before Code Date 12051400
2	499585		KIT, Bushing/Seal -(Magneto Side)
3	391086S		SEAL, Oil -(Magneto Side)
8	792185		BREATHER ASSEMBLY
9	690937		GASKET, Breather
10	691108		SCREW -(Breather Assembly)
11	792184		TUBE-BREATHER
16	796237		CRANKSHAFT -Used After Code Date 04010800
16A	699701		CRANKSHAFT -(Includes Connecting Rod) -Used Before Code Date 04010900
24	222698S		KEY, Flywheel
25	793648		PISTON ASSEMBLY -(.020" Oversize)
25	793647		PISTON ASSEMBLY -(Standard)
26	499604		SET, Ring -(Standard) -Used Before Code Date 06082400
26	499606		SET, Ring -(.020 Oversize) -Used Before Code Date 06082400
26	791787		SET, Ring -(Standard) -Used After Code Date 06082300
26	793650		SET, Ring -(.020 Oversize) -Used After Code Date 06082300
27	690975		LOCK, Piston Pin
28	690229		PIN-PISTON/STD -(Standard)
29	-----		Rod-Connecting -(For Replacement Connecting Rod, See Reference 16A) -Used Before Code Date 04010900
29	699699		ROD, Connecting -(Standard) -Used After Code Date 04010800
32	690976		SCREW -(Connecting Rod)
45	690977		TAPPET, Valve
46	790562		CAMSHAFT -Used After Code Date 03082700
46	-----		Camshaft -(No Longer Available-Contact A Briggs & Stratton Authorized Dealer for Replacement Short Block) -Used Before Code Date 03082800
212	695238		LINK, Throttle
227	798856		LEVER, Governor Control
250	690957		RETAINER, Breather

Cylinder, Crankshaft, Camshaft, Air Guides, Piston, Rings, Connecting Rod

Mfg. No: 407777-0117-E1



1319 WARNING LABEL

REQUIRED when replacing parts with warning labels affixed.

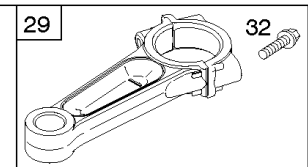
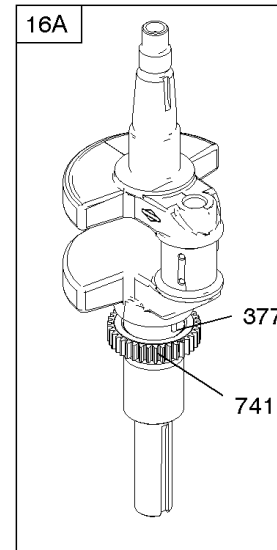
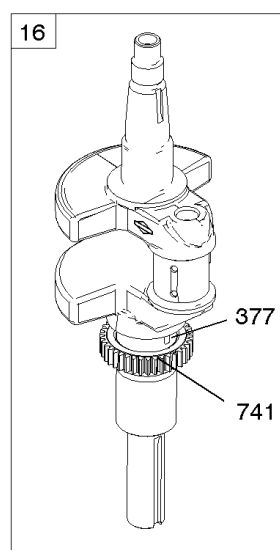
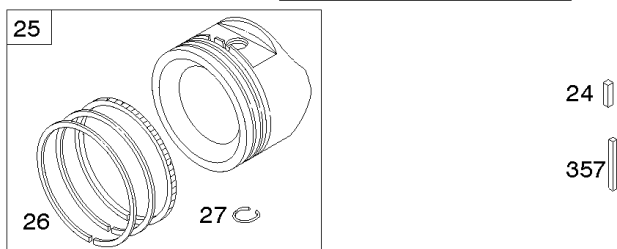
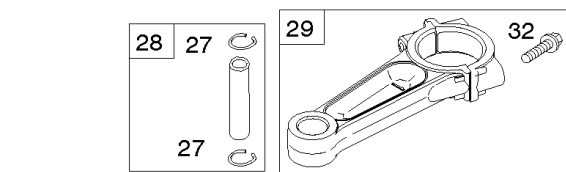
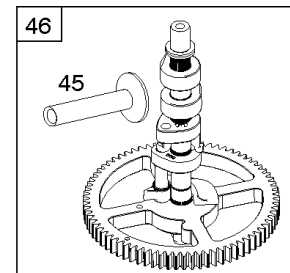
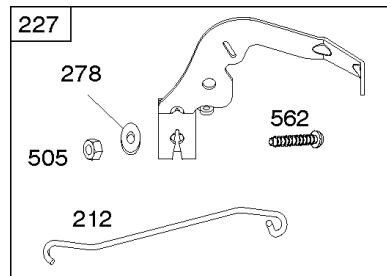
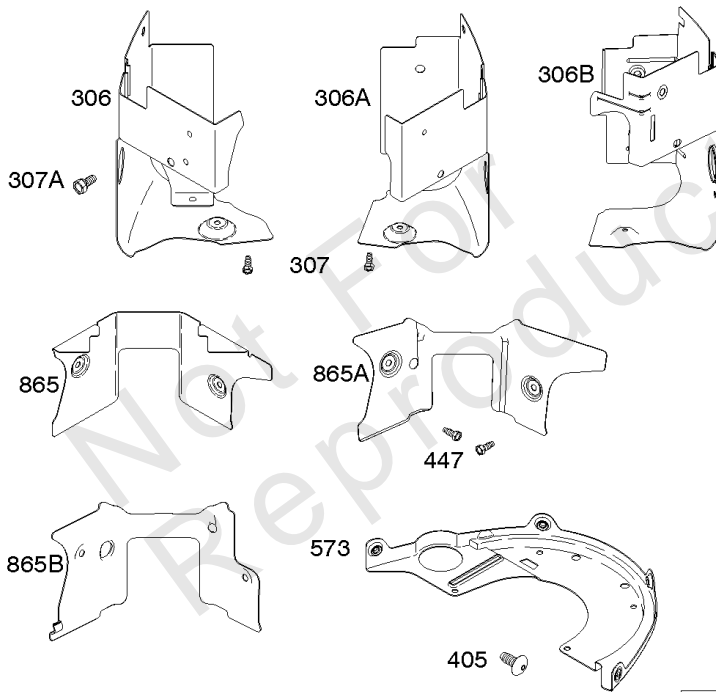
1319A WARNING LABEL

REQUIRED when replacing parts with warning labels affixed.

1058 OPERATOR'S MANUAL

1330 REPAIR MANUAL

1036 EMISSIONS LABEL

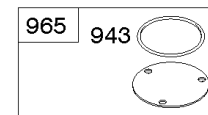
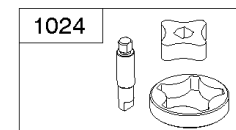
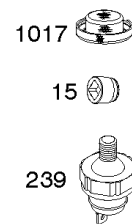
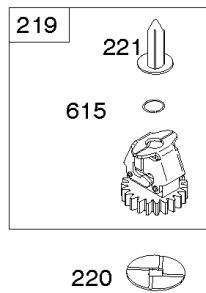
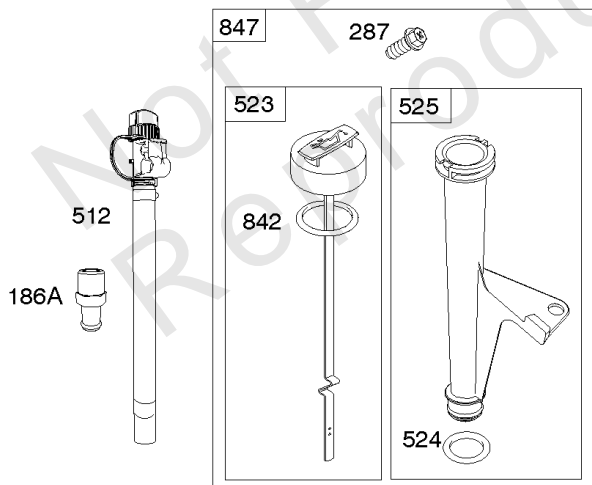
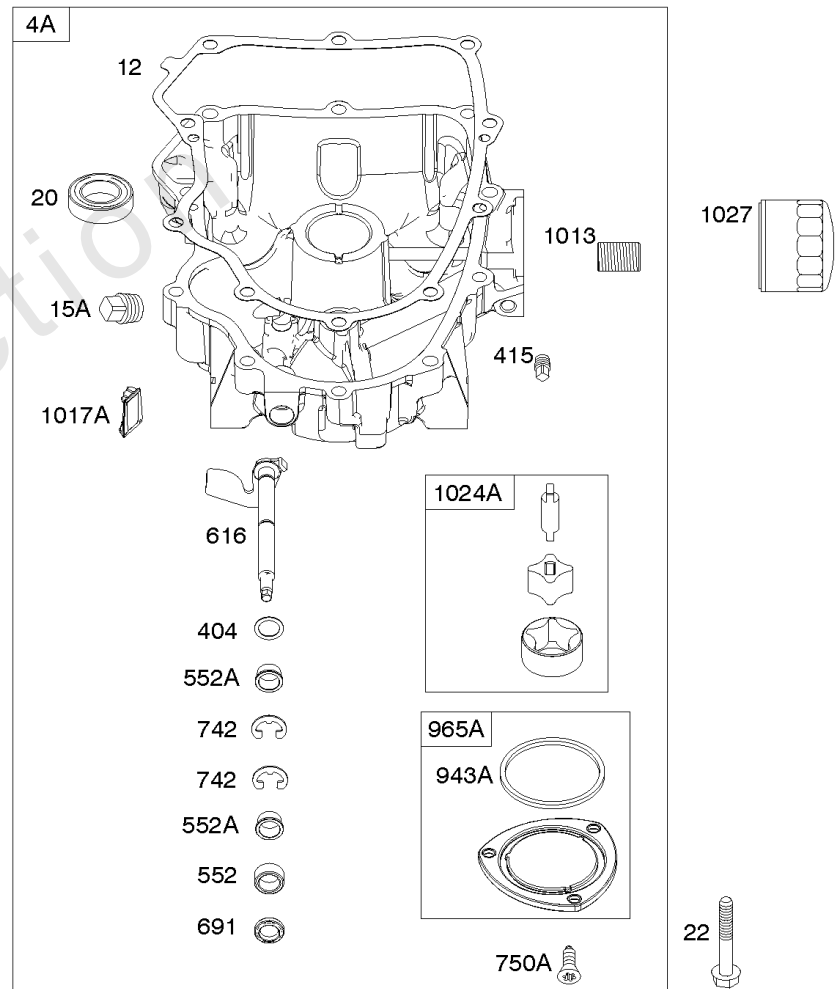
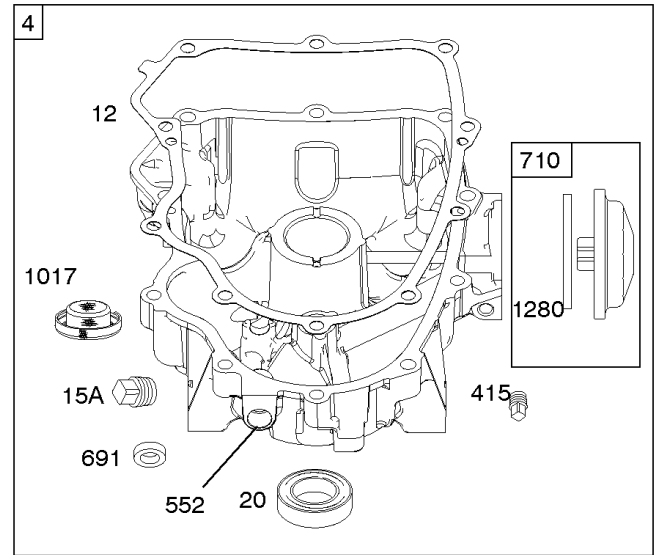
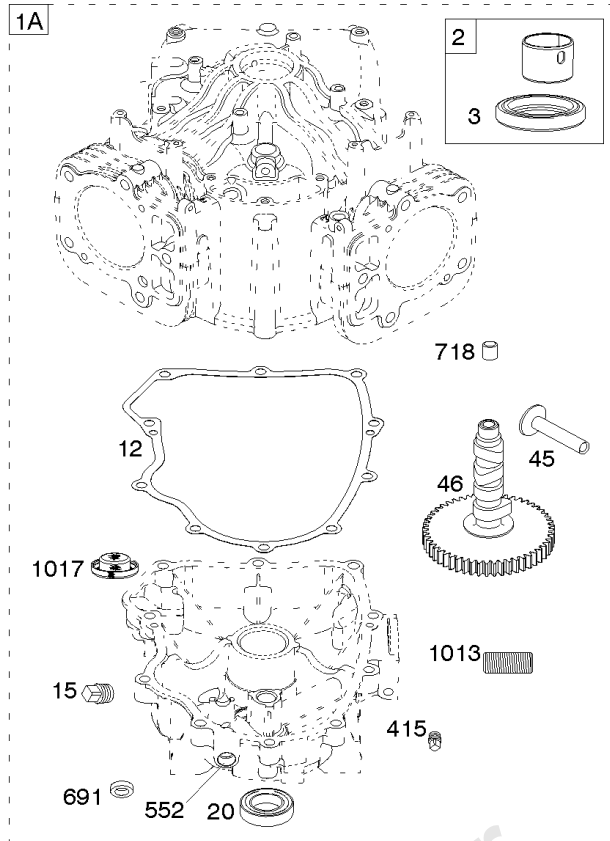


Cylinder, Crankshaft, Camshaft, Air Guides, Piston, Rings, Connecting Rod

REF NO	PART NO	QTY	DESCRIPTION
252	794389		COLLECTOR-OIL
278	792651		WASHER -(Governor Lever)
306	796852		SHIELD-CYLINDER -(Cylinder #1)
306A	793205		SHIELD, Cylinder -(Cylinder 2) -Used Before Code Date 08080400
306A	798855		SHIELD, Cylinder -(Cylinder 2) -Used After Code Date 10052300
306A	796541		SHIELD, Cylinder -(Cylinder 2) -Used After Code Date 08080300 -Used Before Code Date 10052400
307	691003		SCREW -(Cylinder Shield)
307A	691108		SCREW -(Cylinder Shield)
357	691483		KEY, Drive Pulley
377	690979		KEY, Woodruff
405	697820		SCREW -(Back Plate) (Mounting)
447	691003		SCREW -(Air Guide Cover)
505	691029		NUT -(Governor Control Lever)
562	690311		BOLT -(Governor Control Lever)
573	790444		PLATE, Back
718	690959		PIN, Locating
741	690980		GEAR, Timing
850	100106		SEALANT, Liquid
865	691015		COVER, Air Guide -(Valley)
1036	-----		Label-Emissions
1058	381258TRI		MANUAL, Operator's
1319	794467		LABEL, Warning
1319A	797669		LABEL, Warning
1330	273521		MANUAL, Repair

Engine Sump, Oil Pump, Dipstick/Tube Assembly

Mfg. No: 407777-0117-E1

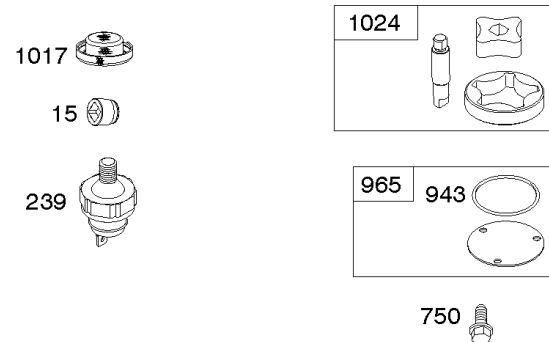
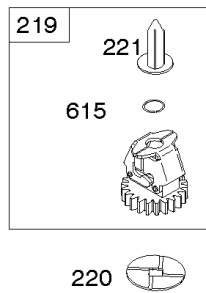
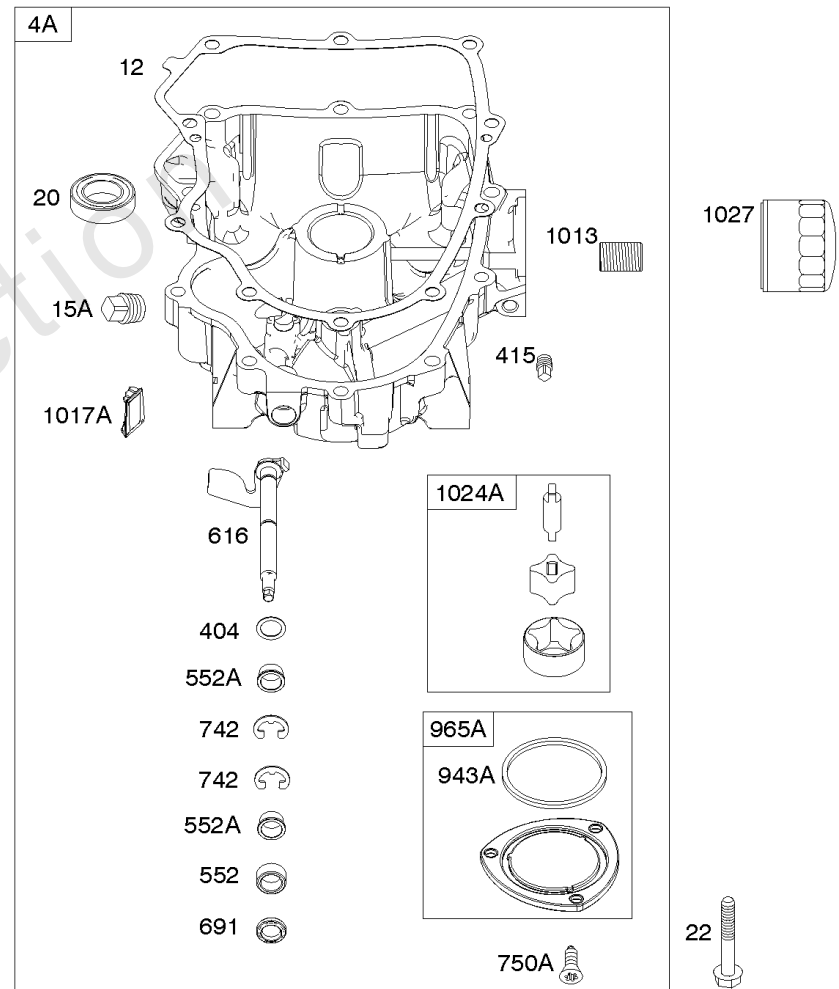
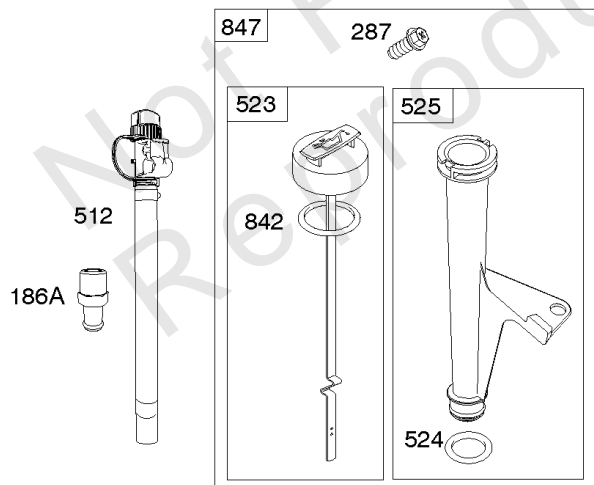
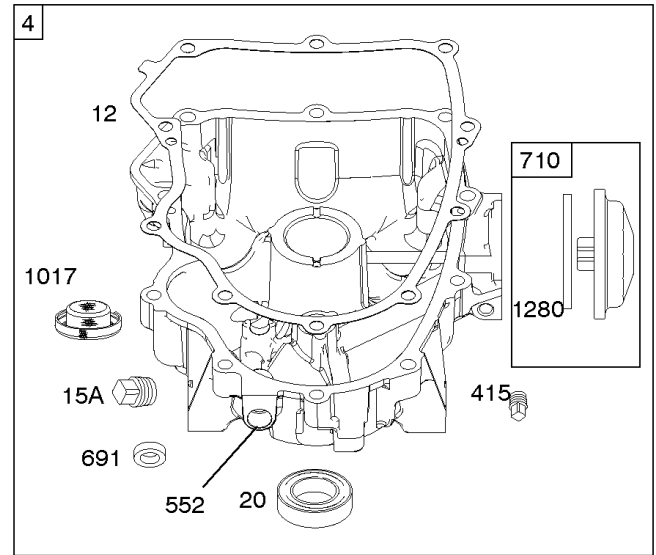
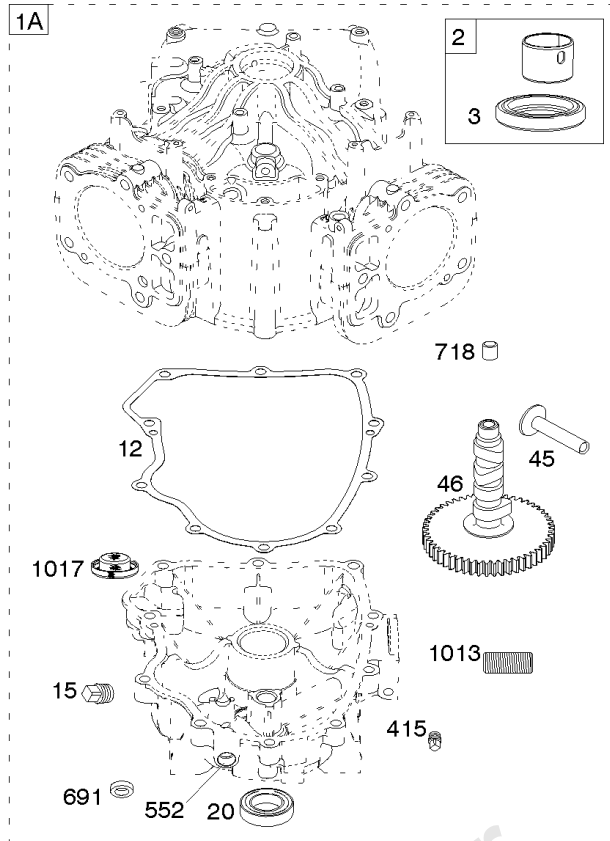


Engine Sump, Oil Pump, Dipstick/Tube Assembly

REF NO	PART NO	QTY	DESCRIPTION
1A	-----		Cylinder Assembly -(No Longer Available-Contact A Briggs & Stratton Authorized Dealer for Replacement Short Block) -Used Before Code Date 03082900
2	499585		KIT, Bushing/Seal -(Magneto Side)
3	391086S		SEAL, Oil -(Magneto Side)
4A	796307		SUMP, Engine -Used After Code Date 03082800
4A	-----		Sump-Engine -(No Longer Available-Contact A Briggs & Stratton Authorized Dealer for Replacement Short Block) -Used Before Code Date 03082900
12	697227		GASKET, Crankcase
15	691680		PLUG, Oil Drain -Used Before Code Date 08071800
15A	690946		PLUG, Oil Drain -Used After Code Date 08071700
20	795387		SEAL, Oil -(PTO Side)
22	694966		SCREW -(Crankcase Cover/Sump)
45	690977		TAPPET, Valve
46	-----		Camshaft -(No Longer Available-Contact A Briggs & Stratton Authorized Dealer for Replacement Short Block) -Used Before Code Date 03082800
46	790562		CAMSHAFT -Used After Code Date 03082700
186A	796532		CONNECTOR, Hose -Oil Drain
219	793338		GEAR, Governor
220	799772		WASHER -(Governor Gear)
221	841026		CUP, Governor
239	792028		SWITCH, Oil Pressure
287	697820		SCREW -(Dipstick Tube)
404	690442		WASHER -(Governor Crank)
415	794903		PLUG
512	796530		HOSE, Oil Drain
523	691036		DIPSTICK
524	691032		SEAL, O-Ring
525	691037		TUBE, Dipstick
552	796638		BUSHING, Governor Crank
552A	690553		BUSHING, Governor Crank
615	698290		RETAINER, Governor Shaft
616	691045		CRANK, Governor
691	790574		SEAL, Governor Shaft
718	690959		PIN, Locating
742	690328		RETAINER, E Ring
750	696999		SCREW -(Oil Pump Cover) -Used Before Code Date 08071800
750A	796208		SCREW -(Oil Pump Cover) -Used After Code Date 08071700

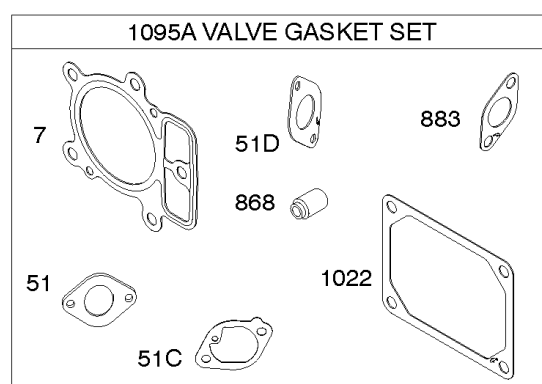
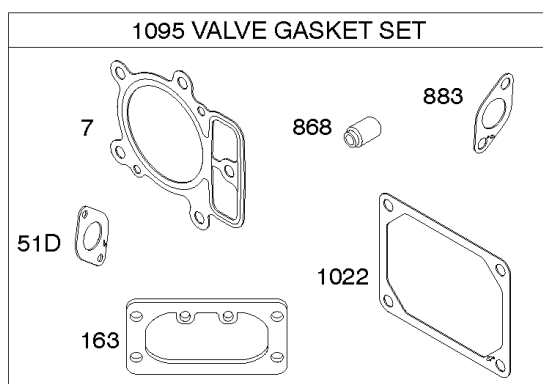
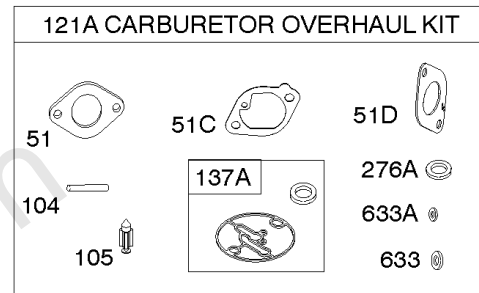
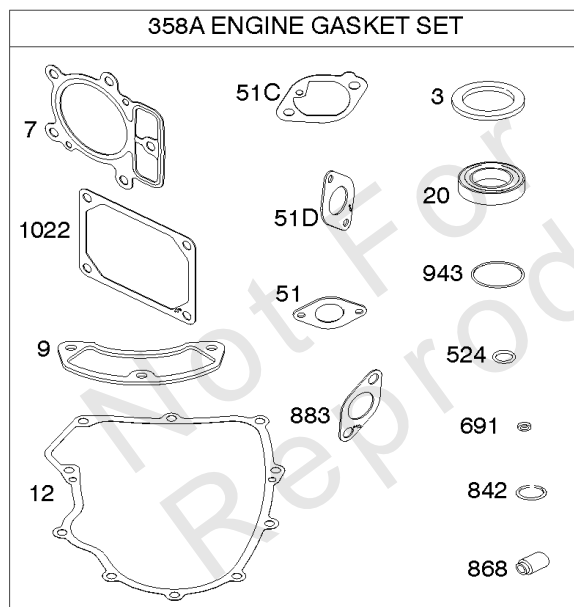
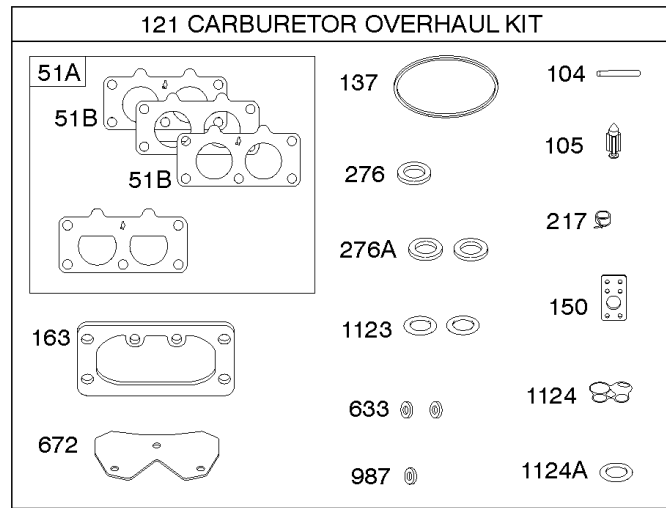
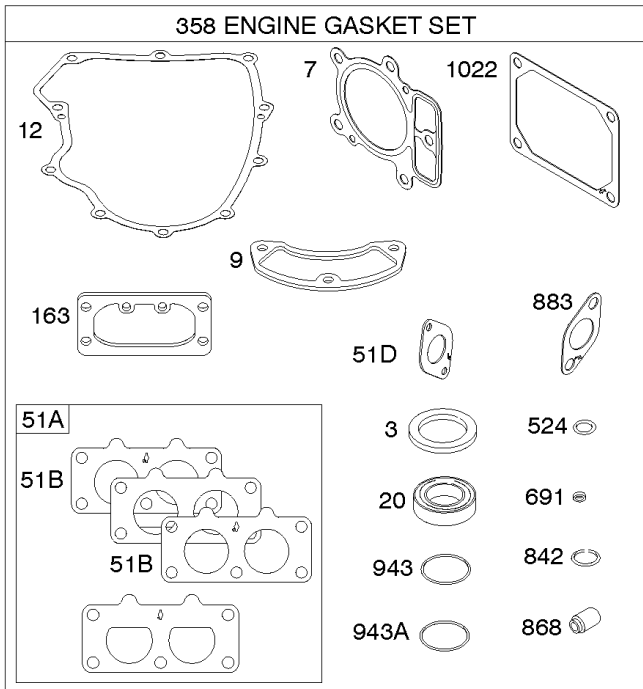
Engine Sump, Oil Pump, Dipstick/Tube Assembly

Mfg. No: 407777-0117-E1



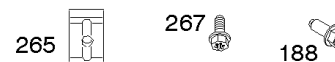
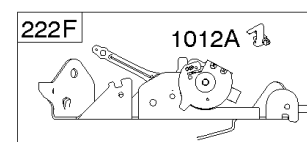
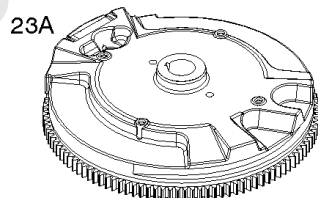
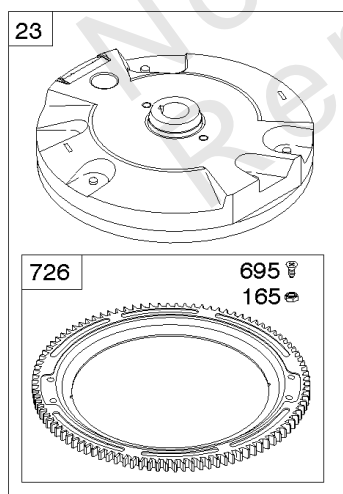
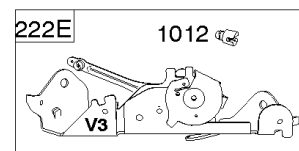
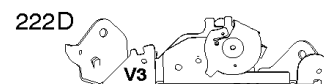
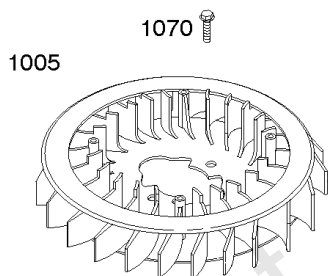
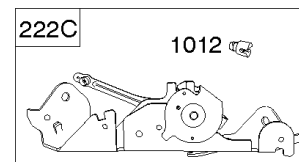
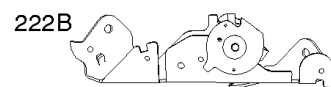
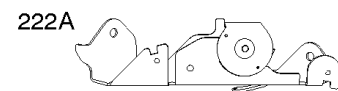
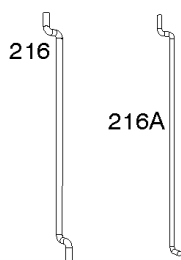
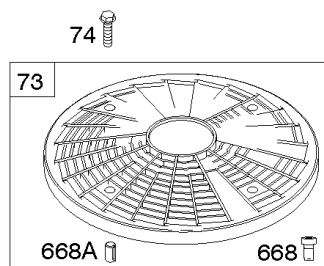
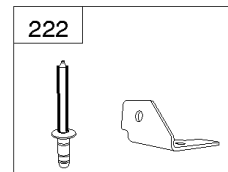
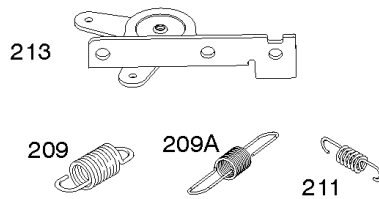
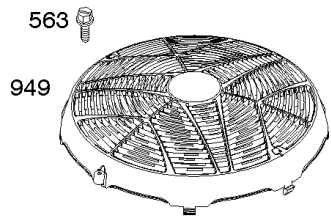
Engine Sump, Oil Pump, Dipstick/Tube Assembly

REF NO	PART NO	QTY	DESCRIPTION
842	691031		SEAL, O-Ring -(Dipstick Tube)
847	499602		DIPSTICK/TUBE ASSEMBLY
943	690589		SEAL, O-Ring -(Oil Pump Cover) -Used Before Code Date 08071800
943A	796222		SEAL, O-Ring -(Oil Pump Cover) -Used After Code Date 08071700
965	499613		COVER, Oil Pump -Used Before Code Date 08071800
965A	796221		COVER, Oil Pump -Used After Code Date 08071700
1013	690954		NIPPLE, Oil Filter
1017	690770		SCREEN, Oil Pump -Used Before Code Date 08071800
1017A	796214		SCREEN, Oil Pump -Used After Code Date 08071700
1024	794644		PUMP-OIL -Used Before Code Date 08071800
1024A	796220		PUMP, Oil -Used After Code Date 08071700
1027	492932S		FILTER, Oil
1280	697475		SEAL, O-Ring -(Oil Filter Cover)



Engine/Valve Gasket Set, Carburetor Overhaul Kit

REF NO	PART NO	QTY	DESCRIPTION
3	391086S		SEAL, Oil -(Magneto Side)
7	693997		GASKET, Cylinder Head
9	690937		GASKET, Breather
12	697227		GASKET, Crankcase
20	795387		SEAL, Oil -(PTO Side)
51	699803		GASKET, Intake
51A	795123		GASKET, Intake
51B	690950		GASKET, Intake
51C	699800		GASKET, Intake
51D	690949		GASKET, Intake
104	694918		PIN, Float Hinge
105	797410		VALVE, Float Needle
121	797890		KIT, Carburetor Overhaul
137	690994		GASKET, Float Bowl
150	841649		GASKET, Nozzle
163	691001		GASKET, Air Cleaner
217	799771		SPRING, Choke Return
276	690997		WASHER, Sealing -Fiber
276A	794271		WASHER, Sealing -Steel Float Bowl
276A	695410		WASHER, Sealing -Aluminum Float Bowl
358	694012		GASKET SET, Engine
524	691032		SEAL, O-Ring
633	690998		SEAL, Choke/Throttle Shaft -(Manual Choke)
633	699813		SEAL, Choke/Throttle Shaft -(Choke A Matic)
672	690234		GASKET, Carburetor Plate
691	790574		SEAL, Governor Shaft
842	691031		SEAL, O-Ring -(Dipstick Tube)
868	690968		SEAL, Valve
883	690970		GASKET, Exhaust
943	690589		SEAL, O-Ring -(Oil Pump Cover) -Used Before Code Date 08071800
943A	796222		SEAL, O-Ring -(Oil Pump Cover) -Used After Code Date 08071700
987	691000		SEAL, Throttle Shaft
1022	690971		GASKET, Rocker Cover
1095	694013		GASKET SET, Valve
1123	690987		SEAL, O-Ring -(Solenoid Retainer) -Used Before Code Date 04091500
1123	699725		SEAL, O-Ring -(Solenoid Retainer) -Used After Code Date 04091400
1124	690988		SEAL, O-Ring -(Fuel Transfer Tube)
1124A	841653		SEAL, O-Ring -(Fuel Transfer Tube)



Flywheel, Controls

REF NO	PART NO	QTY	DESCRIPTION
23	691053		FLYWHEEL
73	494439		SCREEN, Rotating
74	698425		SCREW -(Rotating Screen)
75	691056		WASHER -(Flywheel)
165	693148		NUT -(Ring Gear)
188	691108		SCREW -(Control Bracket)
209	691018		SPRING, Governor -(No Color) -Used Before Code Date 06081500
209	793342		SPRING, Governor -(Dark Blue) -Used After Code Date 06081400
211	691019		SPRING, Governed Idle -(No Color)
213	691021		BRACKET, Choke Control
216	691022		LINK, Choke -(Manual Choke)
216A	796229		LINK, Choke -(Choke A Matic)
222A	698761		BRACKET, Control -(Manual Choke)
265	691024		CLAMP, Casing
267	792629		SCREW -(Casing Clamp)
332	691059		NUT -(Flywheel)
363	19203		PULLER, Flywheel
563	799359		SCREW -(Debris Screen Guard)
668	691500		SPACER
668A	691215		SPACER
695	693149		SCREW -(Ring Gear)
726	499612		GEAR, Ring
934	592604		SCREW -(Fan Retainer)
949	798767		GUARD, Debris Screen
1005	499603		FAN, Flywheel -Used Before Code Date 04072000
1005	790698		FAN, Flywheel -Used After Code Date 04071900 -Used Before Code Date 06103000
1005	791236		FAN, Flywheel -Used After Code Date 06102900
1012	797926		RETAINER, Link
1012A	592556		RETAINER, Link
1070	791680		SCREW -(Flywheel Fan)

Replacement Engine - Europe, Middle East & Africa

REF NO	PART NO	QTY	DESCRIPTION
	40N8770037B5AF0001		Replacement Engine
	-----		Top No-Load Speed: 3200
	-----		Service Note: EFM
	-----		Service Note: 16A REGULATED ALTERNATOR

Not For Reproduction

Replacement Engine - US & Canada

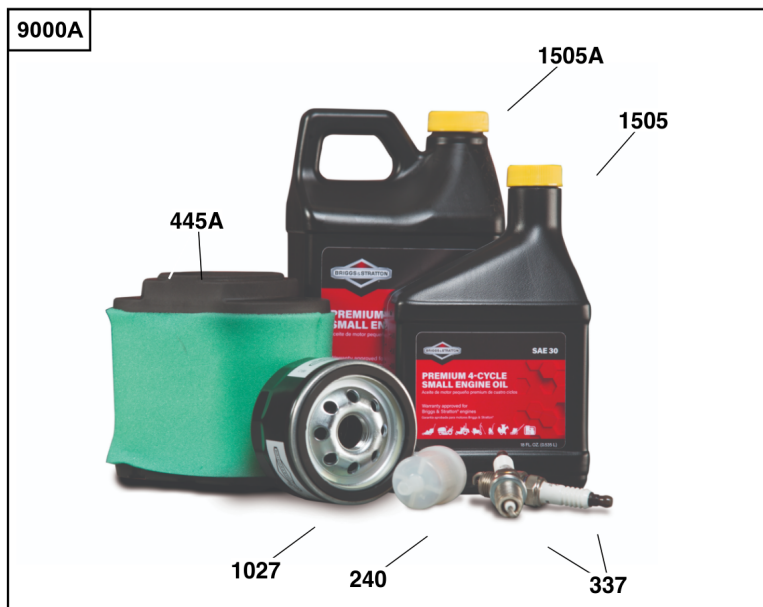
REF NO	PART NO	QTY	DESCRIPTION
	44Q7773137	1	Replacement Engine
	698172	1	Replacement Short Block
	-----		Top No-Load Speed: 3600 -Trim: ALL
	-----		Service Note: Original engine was equipped special Remote Throttle Control or Governor Control. Transfer these parts to replacement engine.
	-----		Service Note: Transfer Muffler and/or Spark Arrester Assembly from the original engine if suitable for additional service or add new parts as required
	-----		Service Note: Transfer Remote Choke Control Assembly from original engine to replacement engine.
	-----		Service Note: If the original engine is equipped with a Six Pin Wiring Harness transfer to the replacement engine.
	-----		Short Block Note: If repair would also require the Cylinder Head Assembly Order Short Block Part Number 792957.

Not For Reproduction



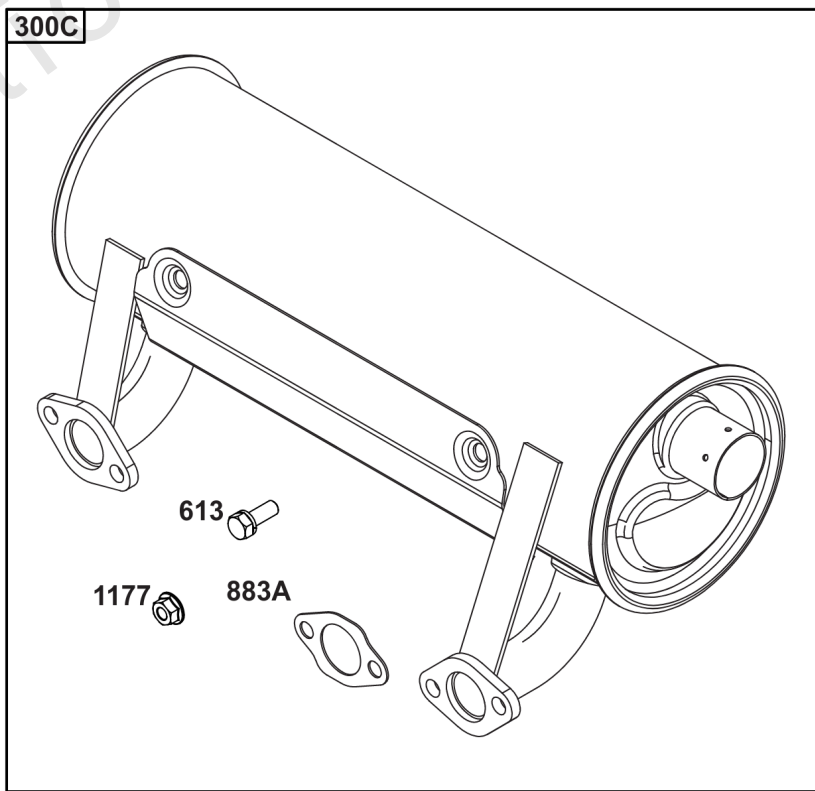
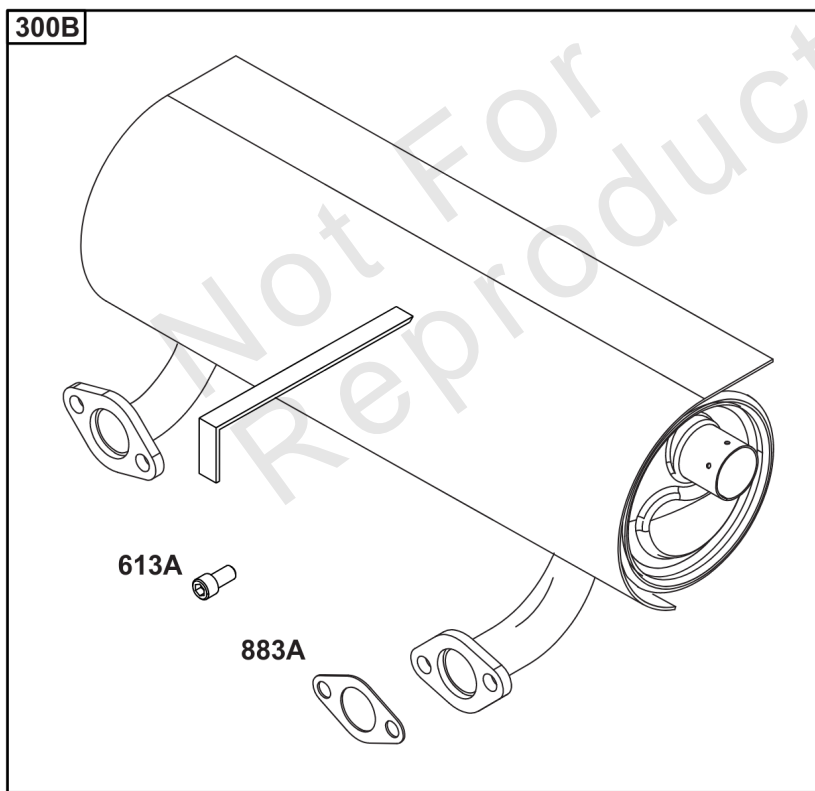
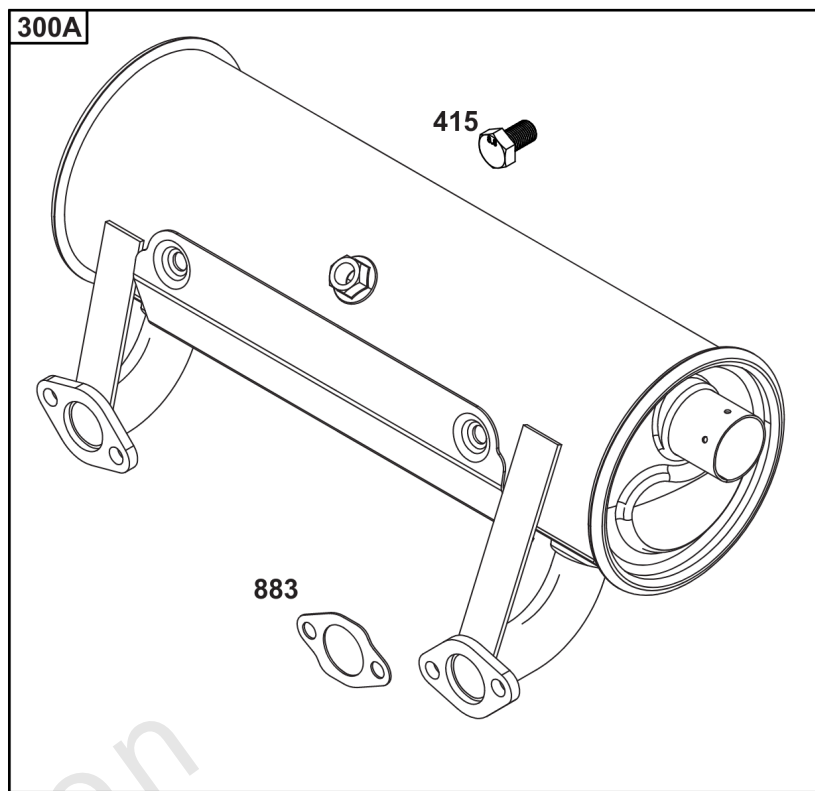
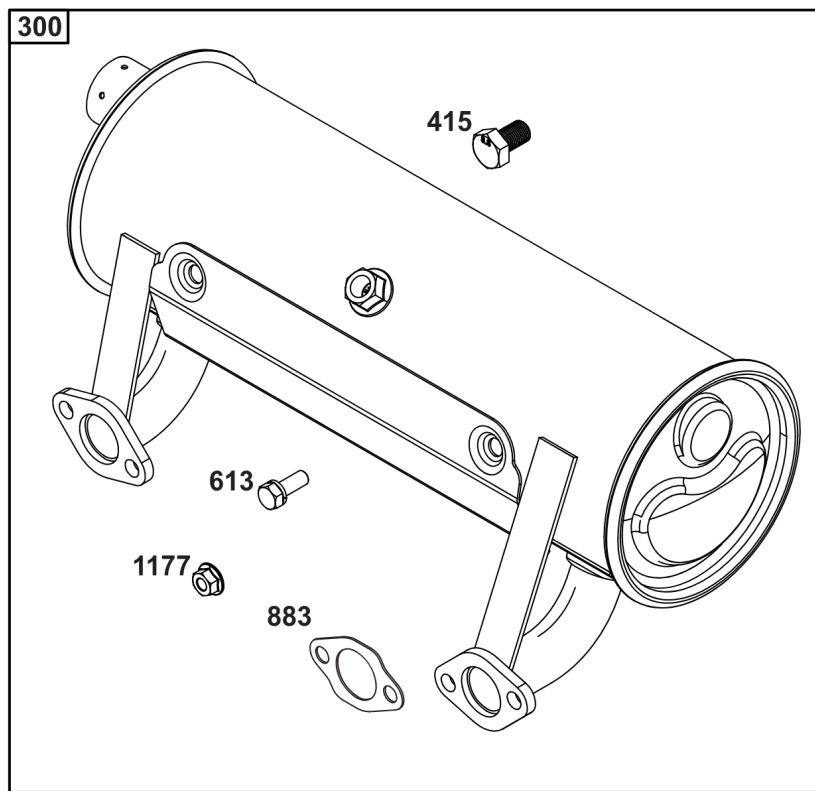
Model 40, 44 & 49 Engine Accessories Catalog

Not For
Reproduction



Maintenance Kits

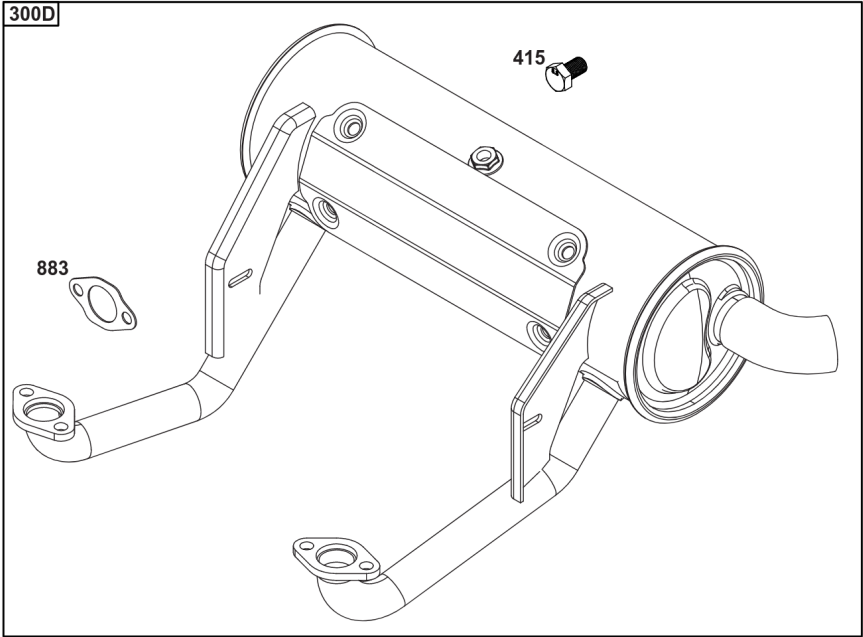
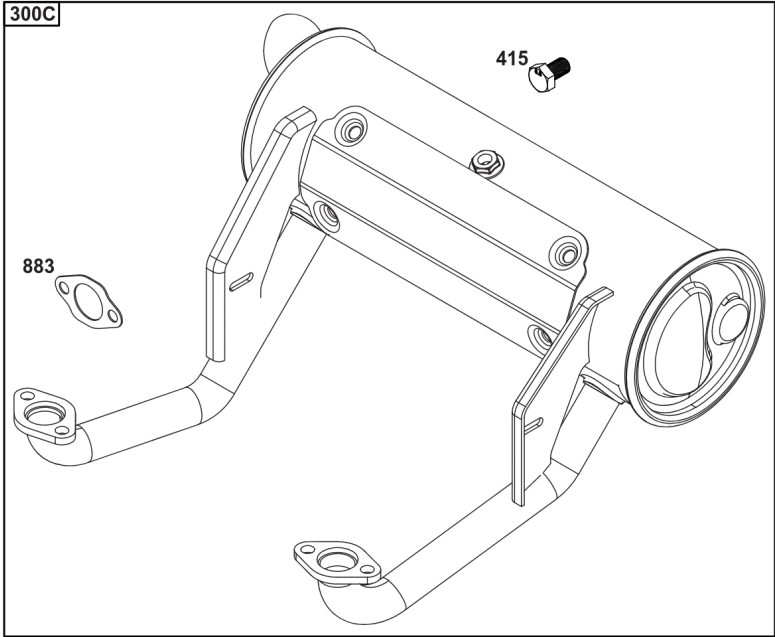
REF NO	PART NO	QTY	DESCRIPTION
9000	84002442		KIT, Maintenance -(Intek / EXi V-Twin Engines) (Do not use with Home Standby Generators.)
9000A	84002317		KIT, Maintenance -(Professional Series™ V-Twin Engines) (Do not use with Home Standby Generators.)
9000B	84002316		KIT, Maintenance -(Commercial Series V-Twin Engines) (Do not use with Home Standby Generators.)
9000C	84002318		KIT, Maintenance -(Oil Guard™ Engines) (Do not use with Home Standby Generators.)
9000D	84002315		KIT, Maintenance -(Non-Oil Guard™ Engines) (Do not use with Home Standby Generators.)
240	84001895	1	FILTER, Fuel -(40 Micron)
240A	845125	1	FILTER, Fuel -(20 Micron)
337	491055S	2	PLUG, Spark
445	594201	1	FILTER-A/C CARTRIDGE
445A	792105	1	FILTER, A/C Cartridge
445B	798897	1	FILTER, A/C Cartridge
445C	841497	1	FILTER, A/C Cartridge
967	797704	1	FILTER, Pre Cleaner
1027	492932S	1	FILTER, Oil -(Standard)
1027A	696854	1	FILTER, Oil -(Premium)
1027B	842921	1	FILTER, Oil -(Vanguard®)
1027C	84007094	1	FILTER, OIL -(Oil Guard™)
1505	100005		OIL-4 CYCLE 30W 18OZ. -(18 oz. Bottle)
1505A	100028		OIL-4 CYCLE30W 48OZ -(48 oz. Bottle)
1505B	100170		OIL-5QT VANGUARD (CASE) -(5 qt. Bottle)
1505C	100169		OIL-1QT VANGUARD (CASE) -(1 qt. Bottle)



Engine Mounted Below Deck Mufflers

REF NO	PART NO	QTY	DESCRIPTION
300	594584	1	KIT-MUFFLER/GUARD -(Oil Filter Side Outlet) (Engine Supported) (O2 Sensor Port)
300A	593877	1	MUFFLER -(Starter Side Outlet) (Engine Supported) (O2 Sensor Port)
300B	594583	1	MUFFLER -(Starter Side Outlet) (Engine Supported) (No O2 Sensor Port)
300C	692120	1	MUFFLER -(Starter Side Outlet) (No O2 Sensor Port)
415	596859	1	PLUG -(O2 Sensor Port)
613	690341	4	SCREW -(Muffler)
613A	690363	4	SCREW -(Muffler)
883	594365	2	GASKET, Exhaust
883A	690970	2	GASKET, Exhaust
1177	690941	4	NUT -(Muffler)

Not For Reproduction



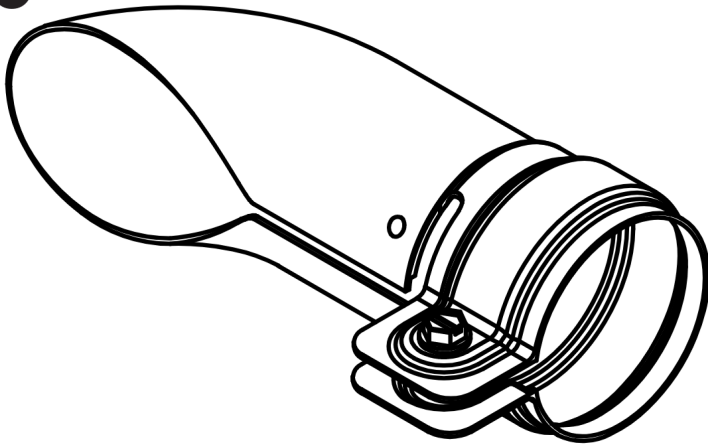
Not For
Reproduction

Engine Mounted Above Deck Mufflers

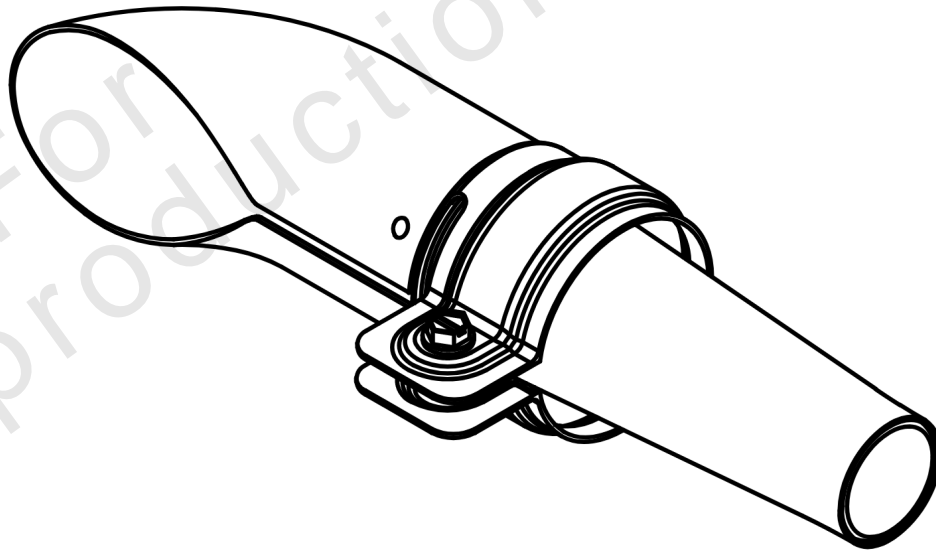
REF NO	PART NO	QTY	DESCRIPTION
300C	595138	1	MUFFLER -(Oil Filter Side Outlet) (Self-Supporting) (O2 Sensor Port)
300D	595139	1	MUFFLER -(Starter Side Outlet) (Self-Supporting) (O2 Sensor Port)
415	596859	1	PLUG -(O2 Sensor Port)
883	594365	2	GASKET, Exhaust

Not For Reproduction

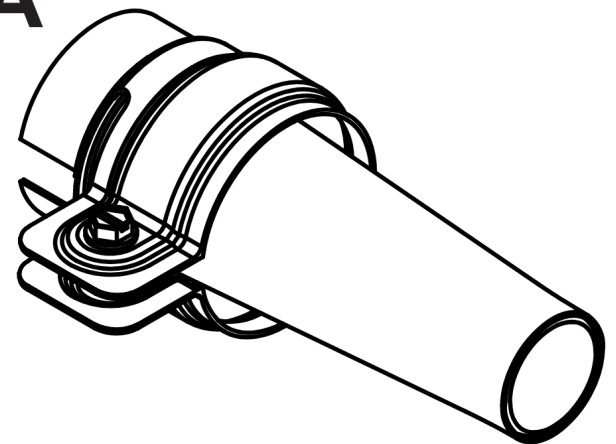
676



994



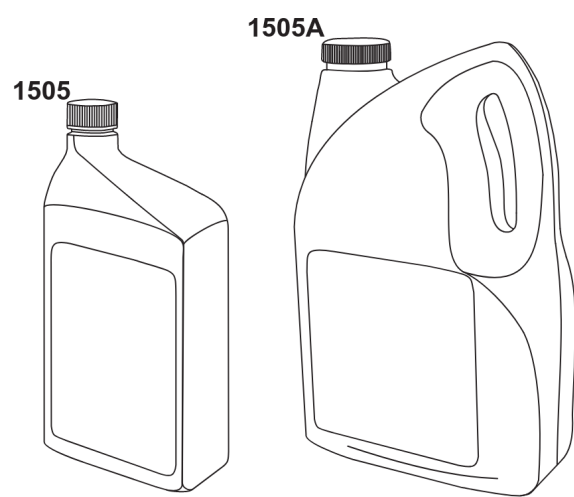
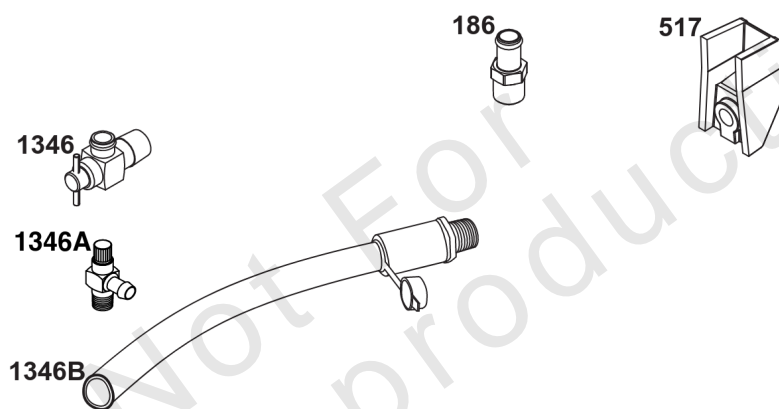
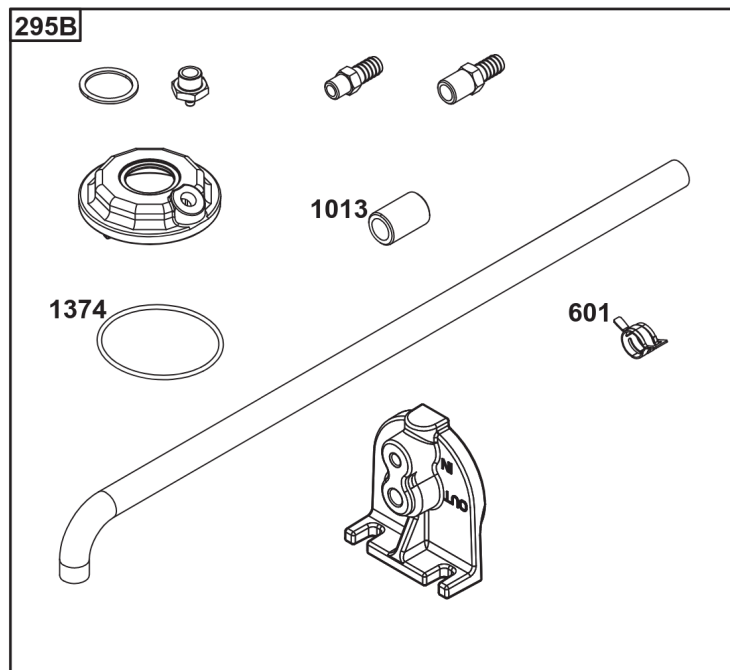
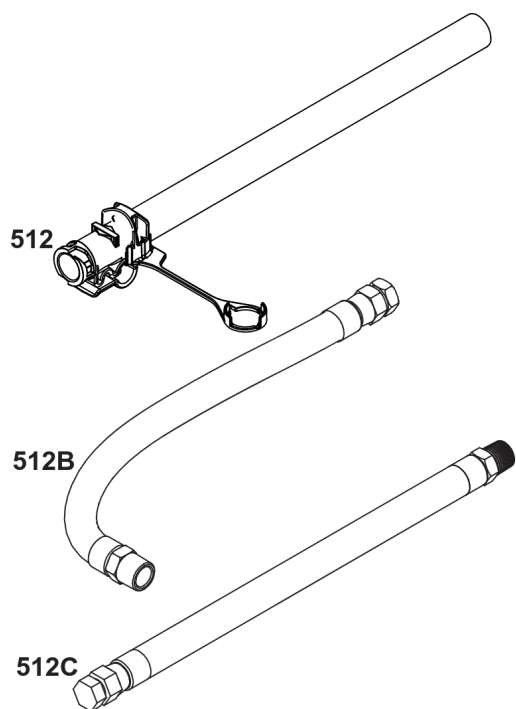
994A



Spark Arrester/Deflector

REF NO	PART NO	QTY	DESCRIPTION
676	593869	1	DEFLECTOR, Muffler -(For Below Deck Mufflers Only)
994	593885	1	ARRESTOR, Spark -(For Below Deck Mufflers Only)
994A	593868	1	ARRESTOR, Spark -(For Below Deck Mufflers Only)

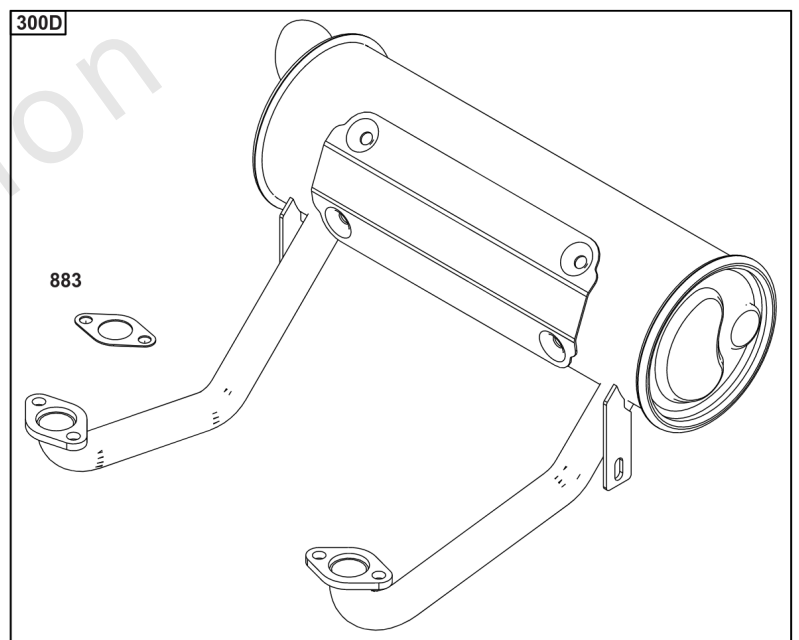
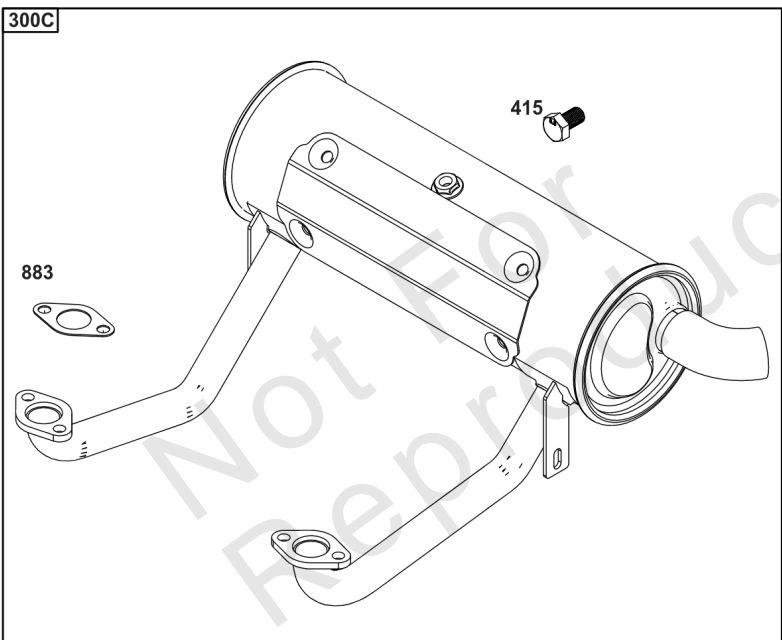
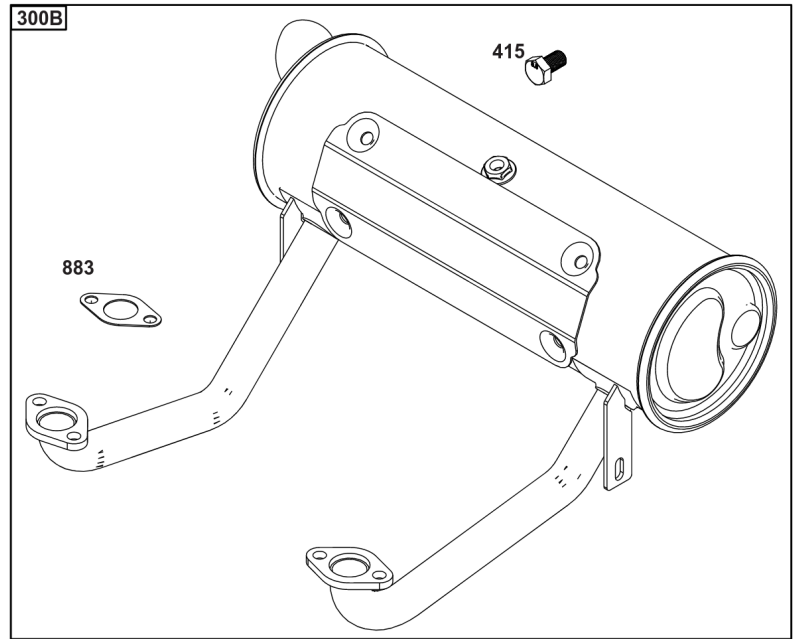
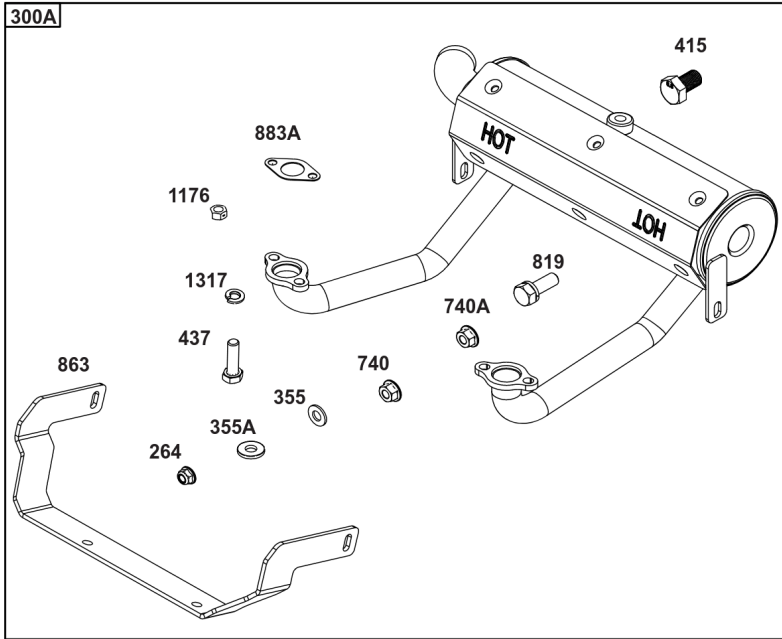
Not For Reproduction



Lubrication

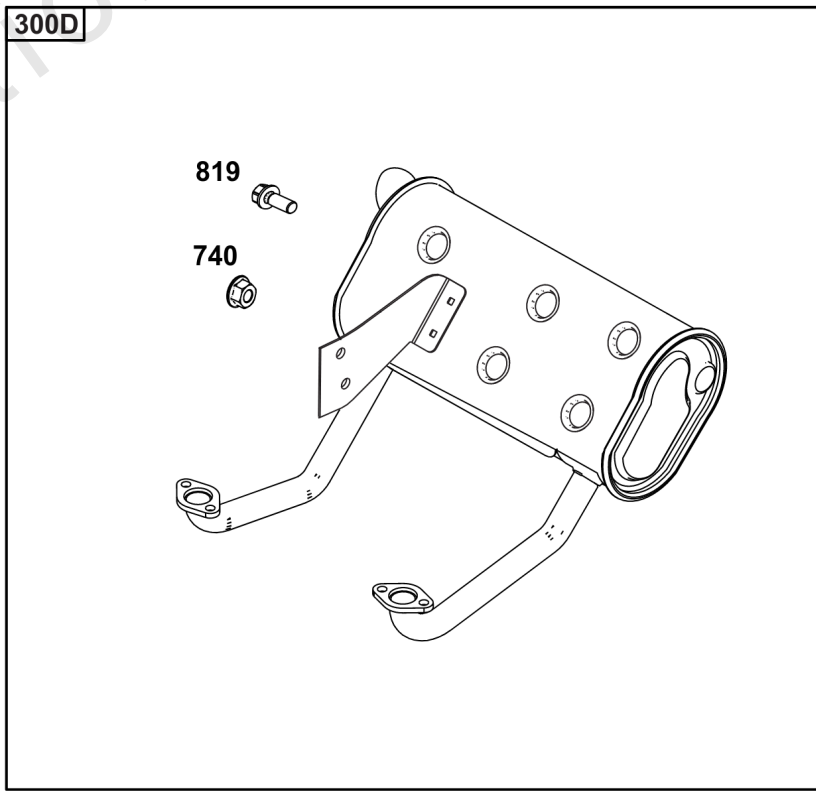
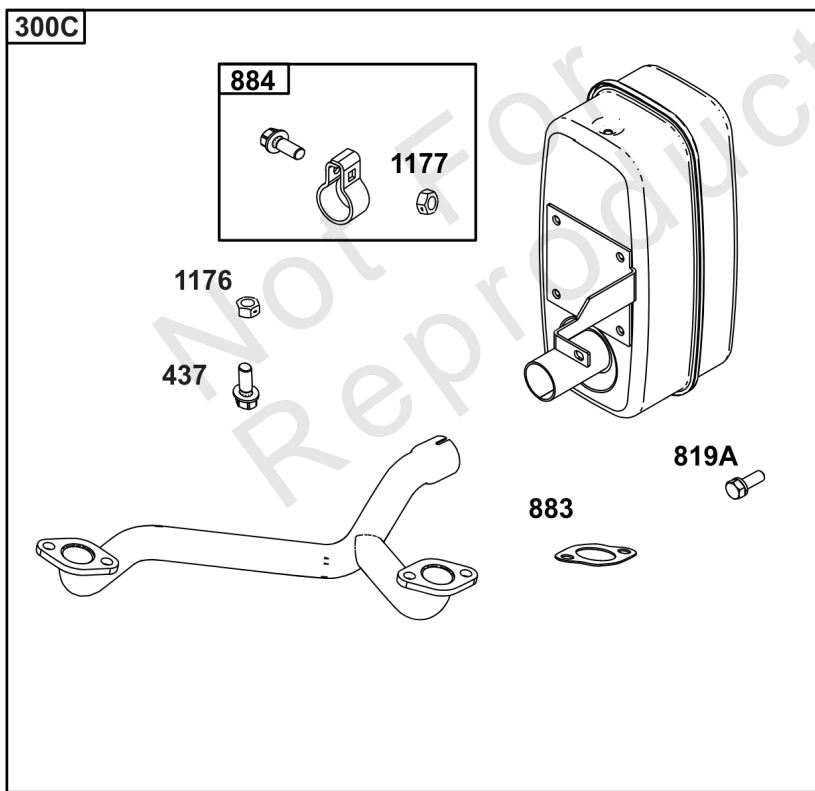
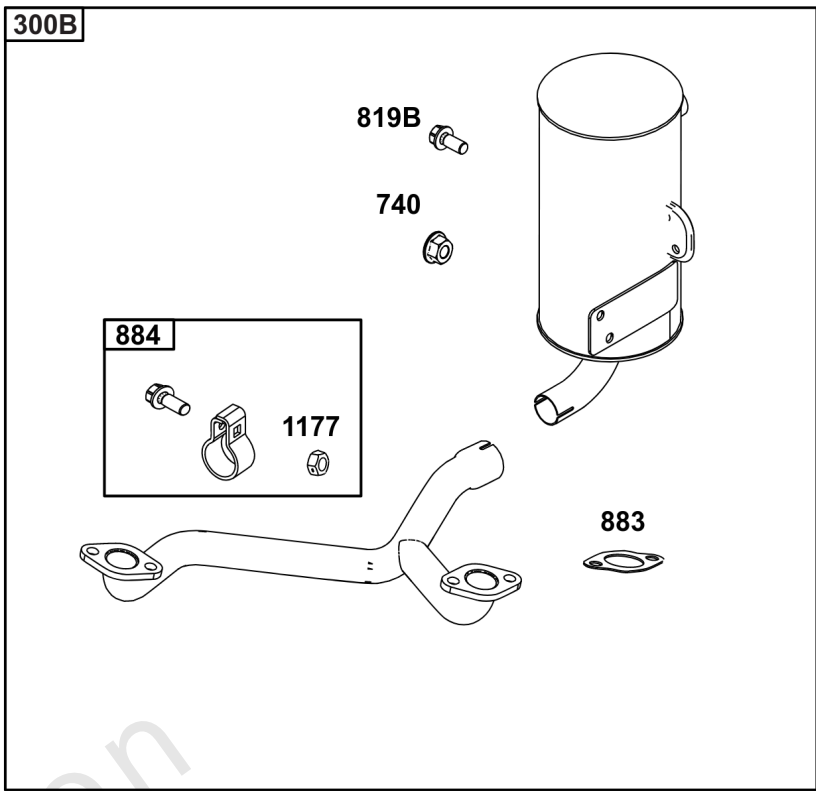
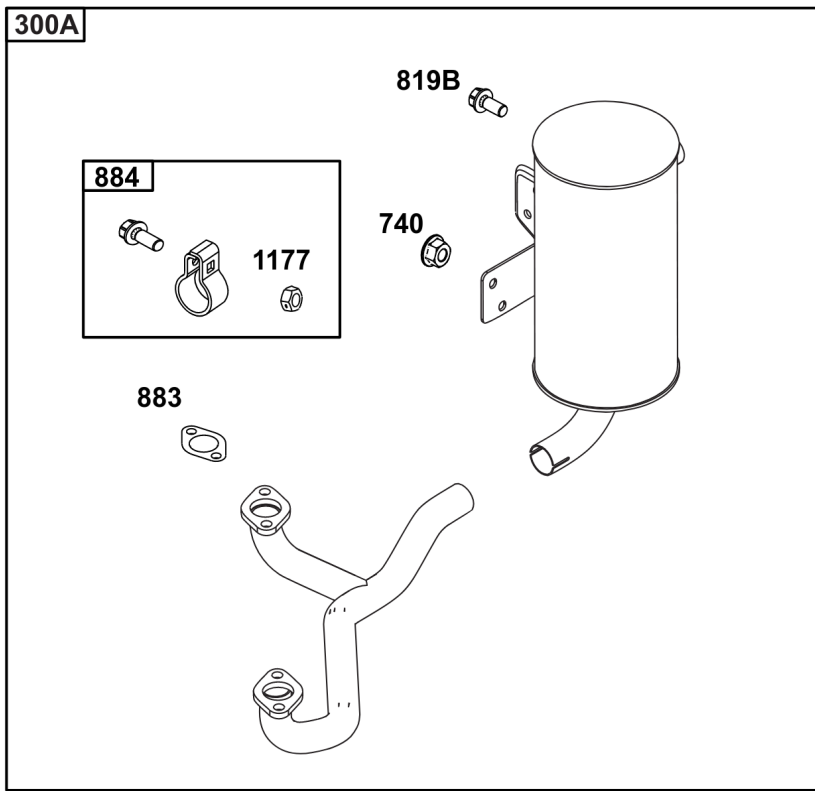
REF NO	PART NO	QTY	DESCRIPTION
186	796532	1	CONNECTOR, Hose -(Threaded Engine Block Connector for EZ-Oil Drain Hose) (Order hose separate)
239	690233	1	SWITCH, Oil Pressure -(2-4 PSI Normally-Closed Switch)
239A	491657S	1	SWITCH, Oil Pressure -(3-5 PSI Normally-Closed Switch)
239B	841281	1	SWITCH, Oil Pressure -(7-10 PSI Normally-Closed Switch)
239C	694115	1	SWITCH, Oil Pressure -(9-13 PSI Normally-Closed Switch)
239D	697049	1	SWITCH, Oil Pressure -(3-6 PSI Normally-Open Switch)
295B	594271	1	ADAPTER, Remote Oil Filter -(Remote Oil Filter Kit)
512	594200	1	HOSE, Oil Drain -(EZ-Oil Drain Hose, 10.5") (Order threaded engine block connector separate)
512	593635	1	HOSE, Oil Drain -(EZ-Oil Drain Hose, 13.75") (Order threaded engine block connector separate)
512B	1723165SM	1	HOSE, Oil Drain, 10-1/2" Long, 3/8-18 Fittings -(10.5")
512C	5048681SM	1	HOSE, OIL DRAIN -(12.5")
517	593633	1	RETAINER, Oil Drain
601	841597	4	CLAMP, Hose
1013	690954	1	NIPPLE, Oil Filter
1346	844802	1	VALVE, Oil Drain Shut Off
1346A	492031	1	VALVE, Oil Drain Shut Off
1346B	5401WEB	1	VALVE, Oil Drain Shut Off -(1/4 Turn Oil Drain Valve with Hose)
1374	796863	1	SEAL, O-Ring
1505	100169		OIL-1QT VANGUARD (CASE) -(1 qt. Bottle)
1505A	100170		OIL-5QT VANGUARD (CASE) -(5 qt. Bottle)

Implement Mounted Above Deck Mufflers



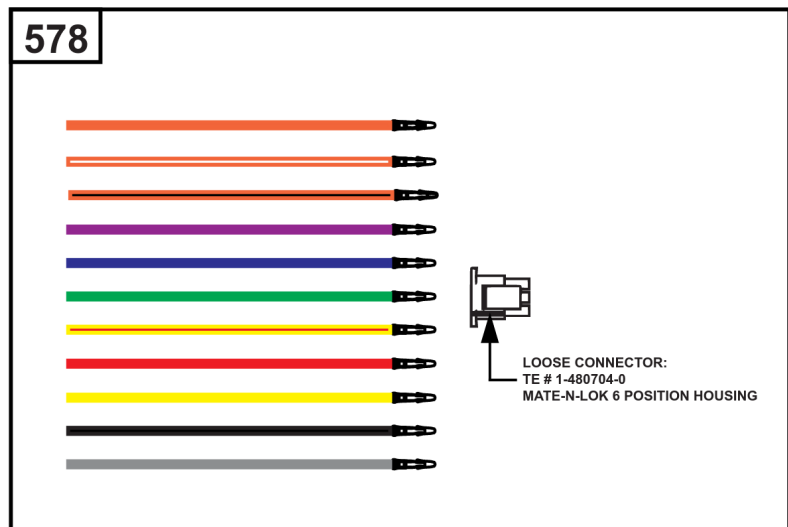
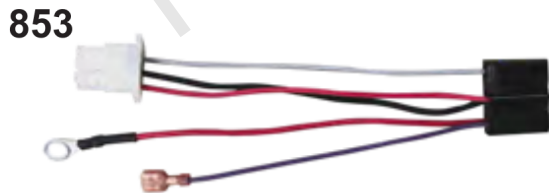
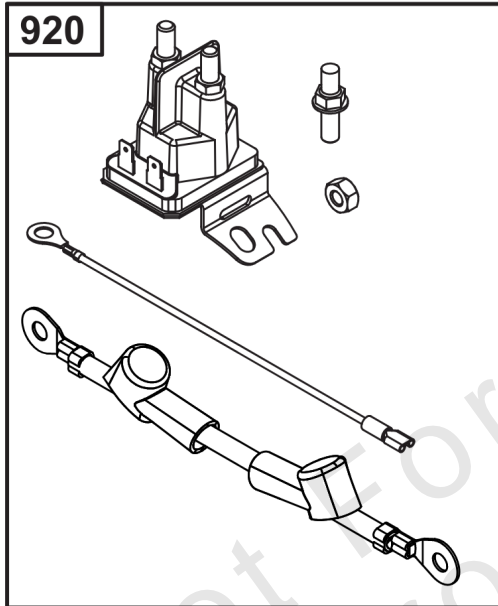
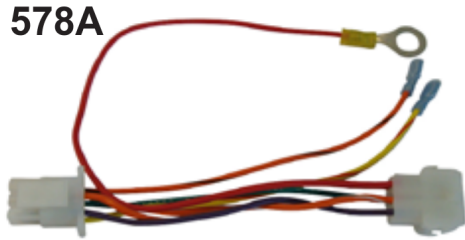
Implement Mounted Above Deck Mufflers

REF NO	PART NO	QTY	DESCRIPTION
300A	594585	1	MUFFLER -(Oil Filter Side Outlet) (Implement Supported) (O2 Sensor Port)
300B	595134	1	MUFFLER -(Oil Filter Side Outlet) (O2 Sensor Port)
300C	595135	1	MUFFLER -(Starter Side Outlet) (O2 Sensor Port)
300D	595136	1	MUFFLER -(Oil Filter Side Outlet)
264	703465	4	NUT, 5/16-18, GR5 -(Muffler Adapter)
355	5025292SM	4	WASHER, 5/16" GD.9 FL -(Muffler Bracket)
355A	5025155SM	2	WASHER, 5/16 -(Muffler Bracket)
415	596859	1	PLUG -(O2 Sensor Port)
437	703585	4	CAPSCREW, 5/16-18X1 -(Exhaust Manifold)
740	703164	2	NUT -(Muffler Bracket)
740A	703115	2	NUT -(Muffler Bracket)
819	690341	4	SCREW -(Muffler Bracket)
863	597480	1	BRACKET, Muffler
883	594365	2	GASKET, Exhaust
883A	690970	2	GASKET, Exhaust
1176	690941	4	NUT -(Exhaust Manifold)
1317	703116	4	LCKWSHR -(Exhaust Manifold)



Exhaust/Muffler Configurations

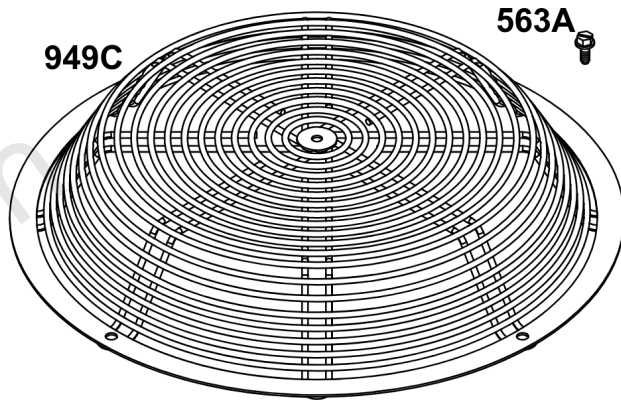
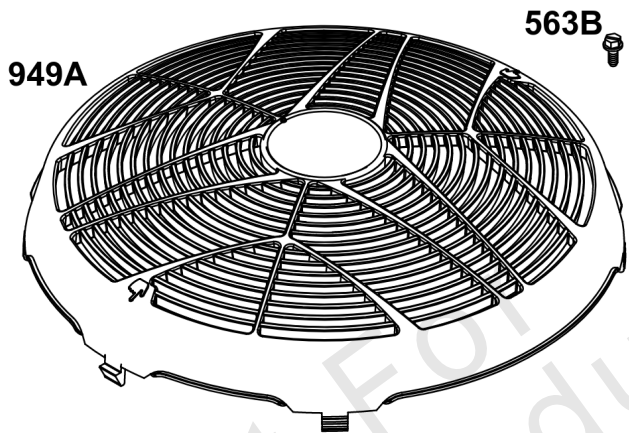
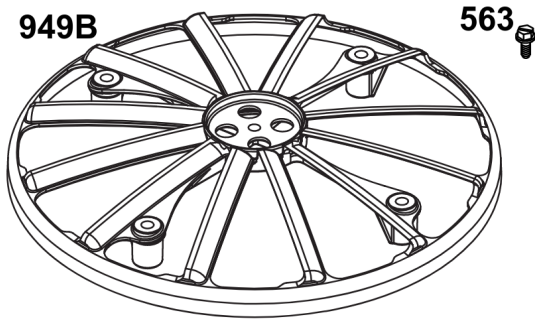
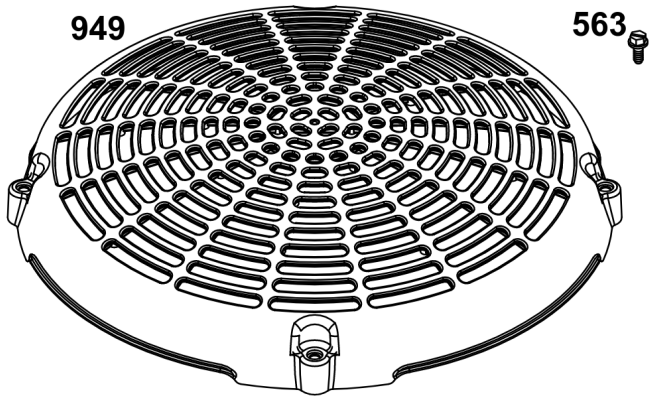
REF NO	PART NO	QTY	DESCRIPTION
300A	771127	1	MUFFLER -(Oil Filter Side Outlet)(Commercial & Professional Series)
300B	771128	1	MUFFLER -(Starter Side Outlet)(Commercial & Professional Series)
300C	595822	1	MUFFLER -(Starter Side Outlet)(Commercial & Professional Series)
300D	84003680	1	MUFFLER -(Oil Filter Side Outlet) (Commercial & Professional Series)(Vanguard 810 & 810 EFI) (Compatible with 593868 Spark Arrester, 593885 Spark Arrester with Deflector.) (Equipped with plug for blocking off O2 sensor port for non EFI engines.)
437	690341	4	SCREW -(Exhaust Manifold)
740	704067	2	NUT, HEX FLNG,5/16-18 -(Muffler Bracket)
819	592604	2	SCREW -(Muffler Bracket)
819A	695629	4	SCREW -(Muffler Bracket)
819B	692062	2	SCREW -(Muffler Bracket)
883	594365	2	GASKET, Exhaust
884	691956	1	CLAMP, Muffler
1176	690941	4	NUT -(Exhaust Manifold)
1177	793859	1	NUT -(Muffler)



Electrical

REF NO	PART NO	QTY	DESCRIPTION
578	84007350	1	WIRE ASSEMBLY -(Wire Harness Adapter Aids in repowering engine application with Male 6-Pin connector and wires create custom adapter configurations.)
578A	19631	1	TOOL, CUSTOM HARNESS -(6-pin Wire Harness Adapter) (Aids in repowering engine application to an EFI engine)
853	84003359	1	ADAPTER, WIRE -(Wire Harness Adapter) (Aids in repowering ExMark) (Flat 6-spade connector to Briggs & Stratton 6-Pin connector)
920	84002147	1	SOLENOID, STARTER -(Starter Solenoid Kit) (Aids in Repowering when original is solenoid shift)
983	5103809YP	1	LIGHT, Indicator -(MIL Light Indicator) (LED Red)
1616	19626	1	CODE READER -(Tiny Scan Code Reader)

Not For Reproduction

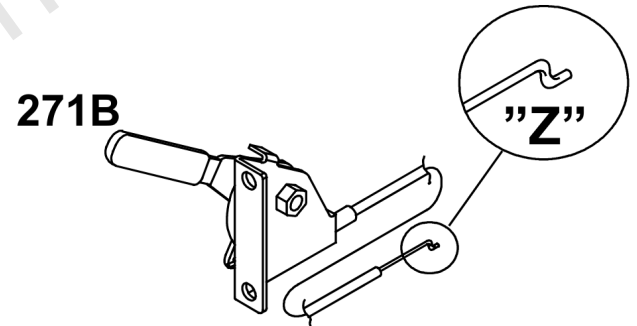
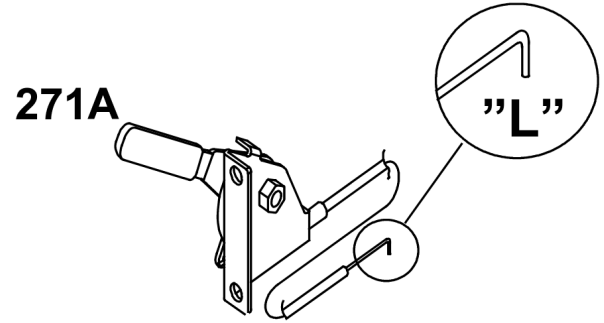
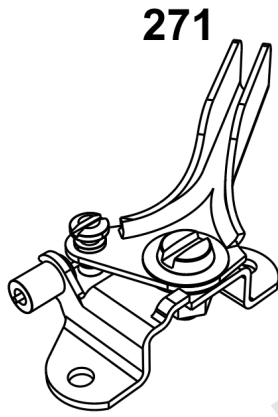
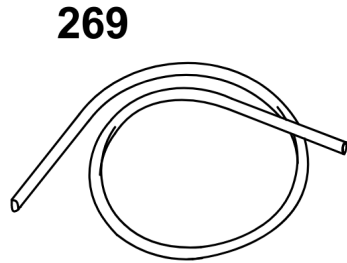
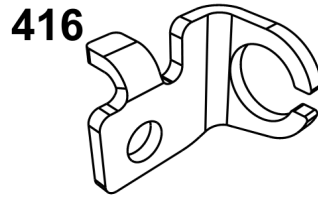
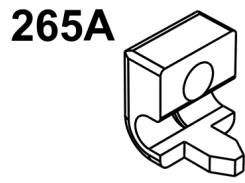
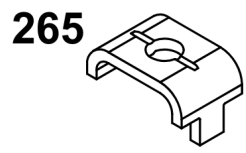


Not For
Reproduction

Flywheel Guards

REF NO	PART NO	QTY	DESCRIPTION
563	799360	1	SCREW -(Debris Screen Guard)
563A	597574	1	SCREW -(Debris Screen Guard)
563B	799359	1	SCREW -(Debris Screen Guard)
949	799357	1	GUARD, Debris Screen -(Static Cover Flywheel) (Requires 4 x 799360 Screw)
949A	797420YP	1	GUARD, Debris Screen -(Static Cover Flywheel High Flow) (Requires 4 x 799360 Screw)
949B	593206	1	GUARD, Debris Screen -(Static Cover Flywheel) (Requires 4 x 799359 Screw)
949C	597573	1	GUARD, Debris Screen -(Wire Static Flywheel Cover) (Requires 4x 597574 Screw) (For Commercial Series)

Not For Reproduction

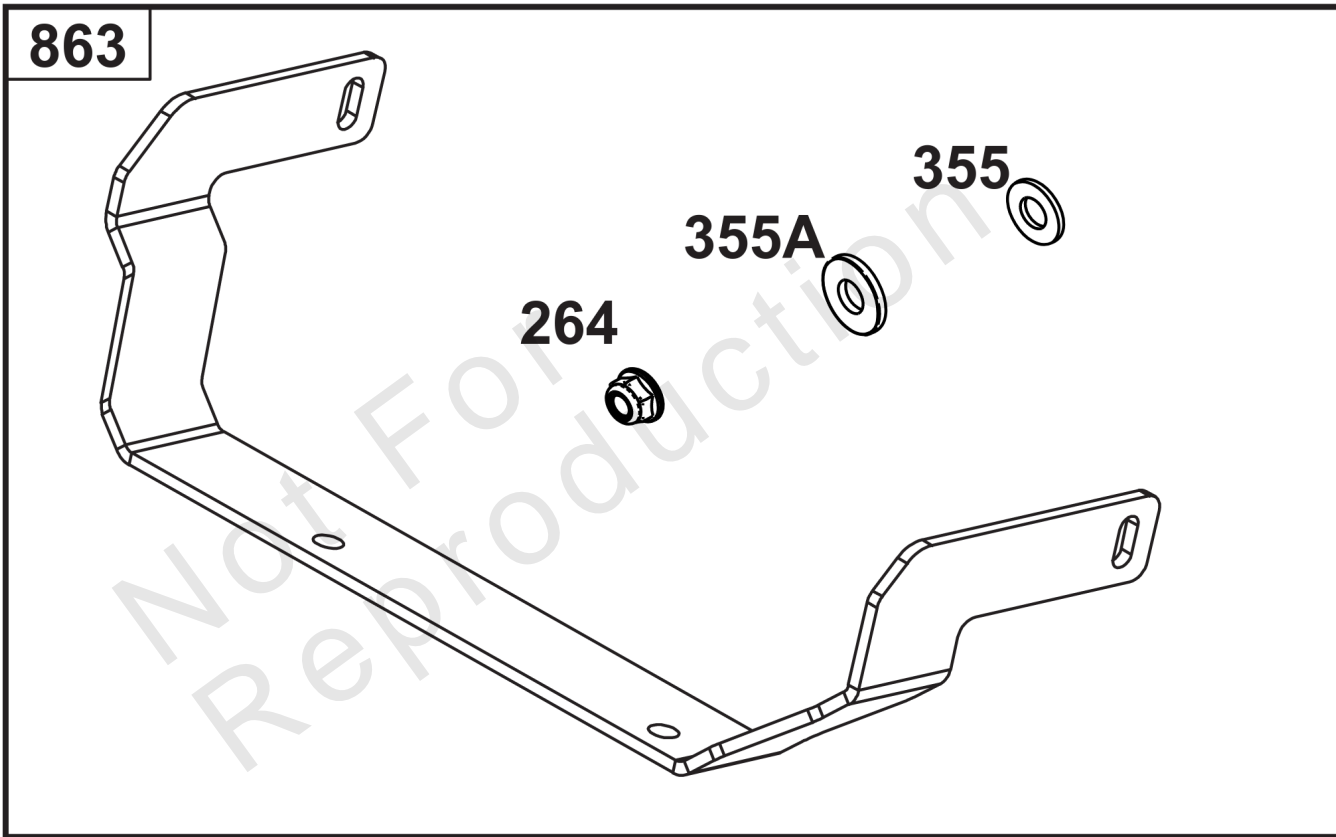
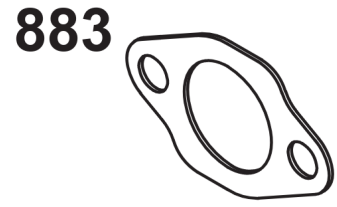


Not For
Reproduction

Speed Control

REF NO	PART NO	QTY	DESCRIPTION
265	691024	1	CLAMP, Casing -(Casing Clamp for Hard Casing)
265A	690798	1	CLAMP, Casing -(Casing Clamp for Soft Casing)
267	792629	1	SCREW -(Screw for Casing Clamp)
269	93907	1	WIRE, Control -(Control Wire 100')
271	691028	1	LEVER, Control -(Speed Control Lever Assembly)
271A	692105	1	LEVER, Control -("L" formed end Speed Control Lever Assembly)
271B	692541	1	LEVER, Control -("Z" formed end Speed Control Lever Assembly)
416	595196	1	BRACKET, Throttle Cable -(Casing Clamp for Snap-In Casing)

Not For Reproduction



Muffler Mounting Hardware

REF NO	PART NO	QTY	DESCRIPTION
264	703465	4	NUT, 5/16-18, GR5 -(Muffler Adapter)
296	591756	4	STUD -(Muffler)
355	5025292SM	4	WASHER, 5/16" GD.9 FL -(Muffler Bracket)
355A	5025155SM	2	WASHER, 5/16 -(Muffler Bracket)
613	690341	4	SCREW -(Muffler)
613A	690363	4	SCREW -(Muffler)
863	597480	1	BRACKET, Muffler
883	594365	2	GASKET, Exhaust
883A	690970	2	GASKET, Exhaust
1177	690941	4	NUT -(Muffler)

Not For Reproduction

