

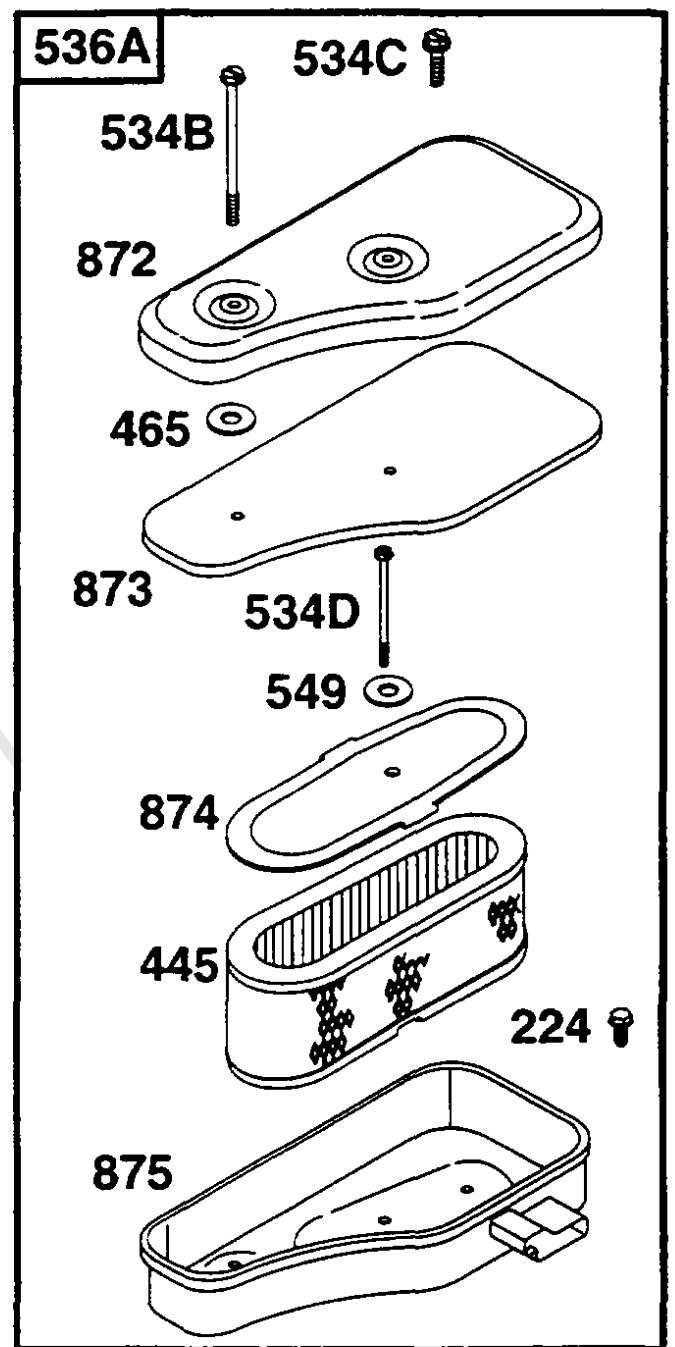
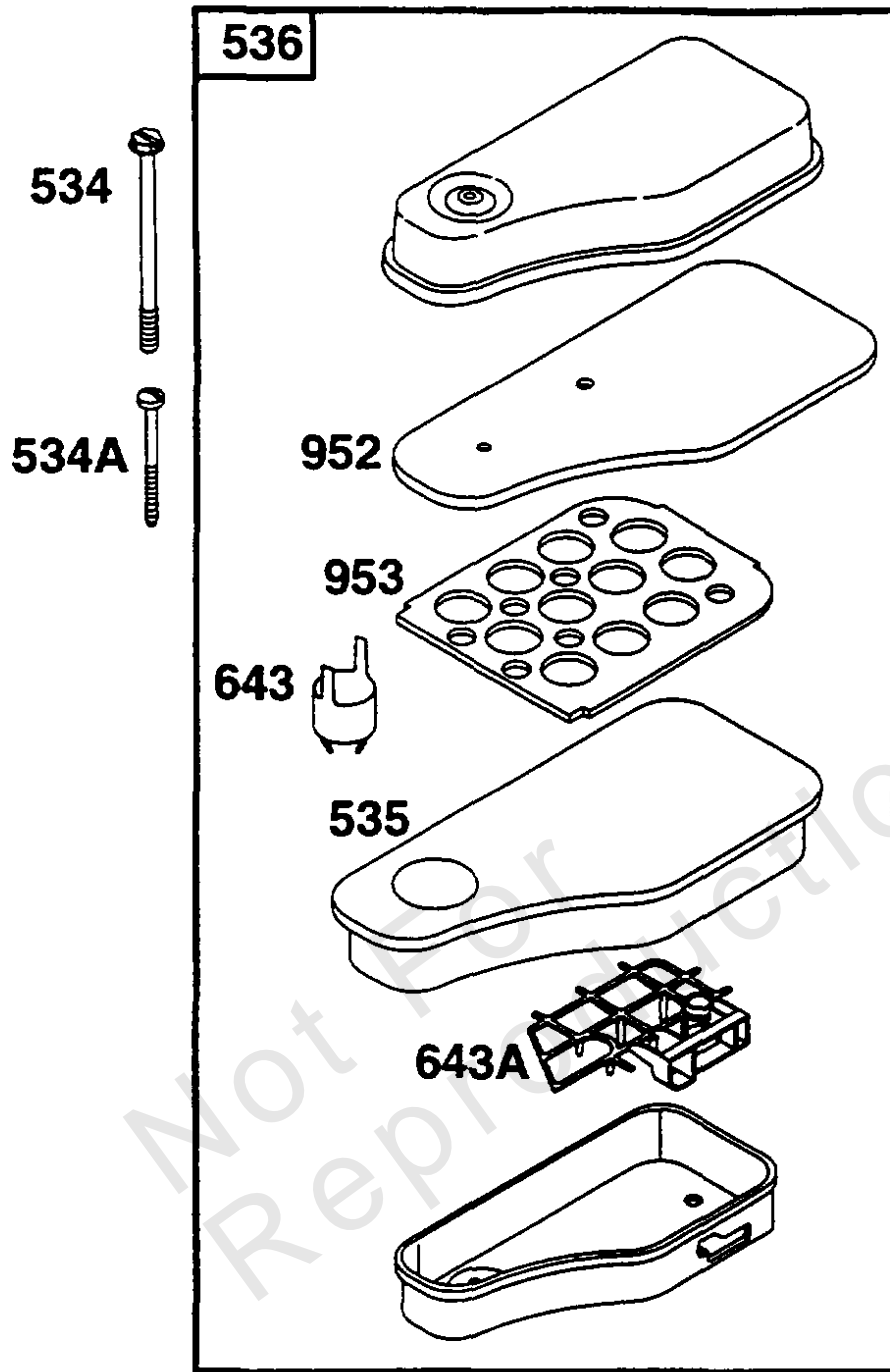


Parts Manual

Mfg. No: 253707-0419-01

Model Components	Page
Air Cleaner Grps.	4
Air Cleaner Grps.	6
Alternator Chart, Elect.	8
Blower Hsg, Flywheel, Screen.	10
Carburetor Assy.	12
Controls.	14
Cylinder, Head.	18
Electric Starter.	20
Electric Starter.	22
Fuel Tank Group.	24
Gasket Sets.	26
Governor Spring.	28
Muffler Group.	30
Oil Fill, Sump.	32
Piston Grp, Crankshaft, Cam.	34
Replacement Engine - US & Canada.	38
Rewind Starter.	39

Not For
Reproduction

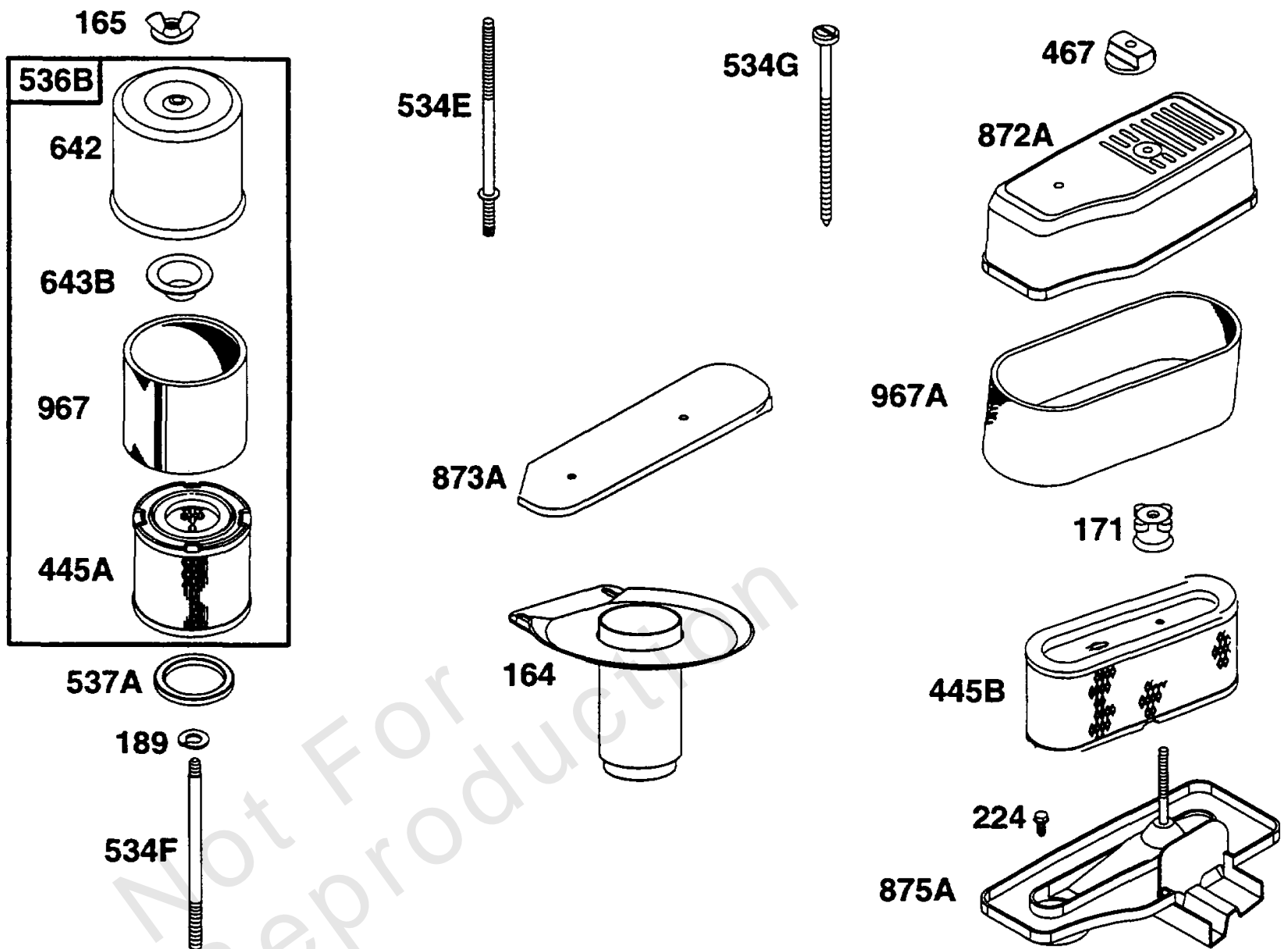


Air Cleaner Grps

REF NO	PART NO	QTY	DESCRIPTION
224	94902		SCREW -(Brake)
445	393725		FILTER, A/C Cartridge
465	271118		WASHER
534C	93913		SCREW
534A	93622		SCREW
534B	93911		SCREW
534D	93910		SCREW
534	93323		SCREW
535	270843		FILTER, A/C Cartridge
536A	393749		CLEANER, Air
536	391786		CLEANER, Air
537	270853		GASKET, Air Cleaner -(Air Cleaner)
549	270978		WASHER
643A	280118		SUPPORT, Foam Element
643	222380		SPACER, Air Cleaner
872	396966		COVER, Air Cleaner -(Includes Gasket)
873	397971		GASKET, Air Cleaner
874	222898		RETAINER, Air Filter
875	397321		BASE, Air Cleaner
952	222495		SPACER, Air Cleaner
953	222382		SCREEN, Air Cleaner

Footnotes:

AssocPart: 000000393411

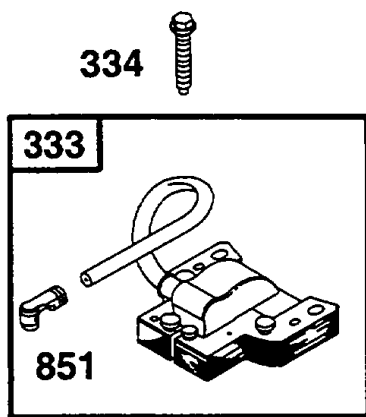


Air Cleaner Grps

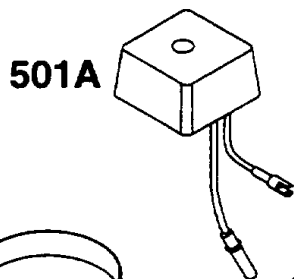
REF NO	PART NO	QTY	DESCRIPTION
164	399669		BASE, Air Cleaner
165	94289		NUT
171	281051		NUT
189	90832		SCREW -(Blower Housing)
224	94902		SCREW -(Brake)
445B	399806		FILTER, A/C Cartridge
445A	393957		FILTER, A/C Cartridge
467	493903		KNOB, Air Cleaner Cover
534F	231457		STUD -(Air Cleaner)
534E	94248		STUD -(Air Cleaner)
534E	94246		STUD -(Air Cleaner)
536B	391063		CLEANER, Air
537A	280699		GASKET, Air Cleaner -(Air Cleaner)
642	224885		COVER, Air Cleaner
643B	222272		RETAINER, Air Filter
872A	223700		COVER, Air Cleaner
875A	491877		BASE, Air Cleaner
967A	271962		FILTER, Air Cleaner Foam
967	271794		FILTER, Air Cleaner Foam

Footnotes:

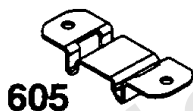
AssocPart: 0000000393411
AssocPart: 0000000394698



526



841



897

356

356A

878

DC ONLY	DUAL CIRCUIT	TRI-CIRCUIT	10 AMP
<p>474</p> <p>877</p>	<p>474A</p> <p>877A</p>	<p>474B</p> <p>877B</p>	<p>474C</p> <p>877C</p>
		<p>878B</p>	<p>501</p>

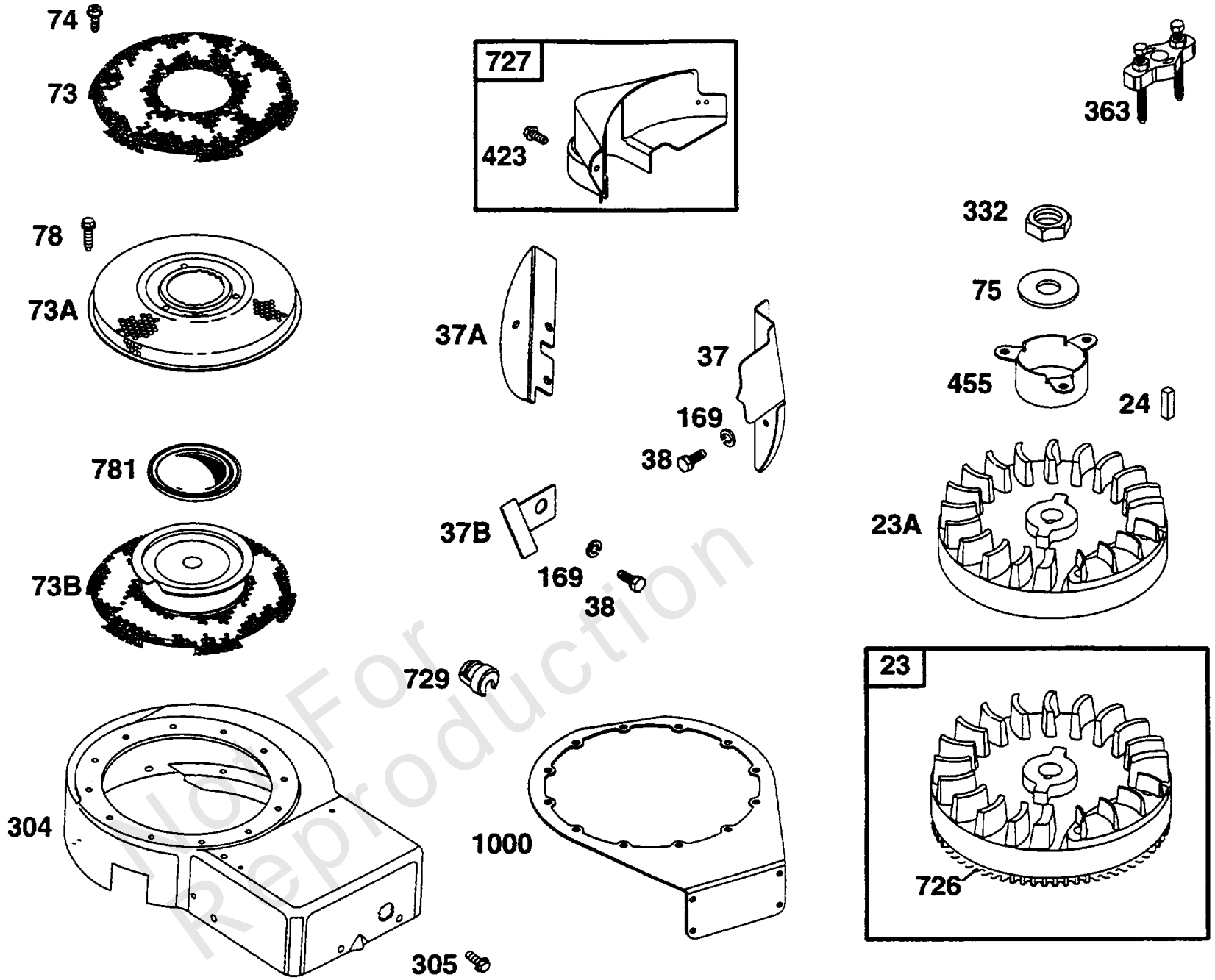
NOTE: ALL STATORS USE NO. 482 MOUNTING SCREW.

Alternator Chart, Elect

REF NO	PART NO	QTY	DESCRIPTION
333	398811		ARMATURE, Magneto -(Magnetron Ignition)
334	94731		SCREW -(Magneto)
356A	494328		WIRE, Stop
356	398808		WIRE, Stop -(Cut To Required Length)
474C	393295		ALTERNATOR
474B	392595		ALTERNATOR -(Tri Circuit) (9 Amp Regulated)
474A	393474		ALTERNATOR -(Dual Circuit)
474	391529		ALTERNATOR -(DC Only)
482	93621		SCREW -(Tapping)
501A	491546		REGULATOR -(9 Amp)
501	394890		REGULATOR
526	93343		SCREW -(Control Panel)
605	222934		BRACKET, Mounting
841	393514		CLAMP
851	493880		TERMINAL, Spark Plug
877C	399916		WIRE/CONN-ALTERNATOR -(16 Amp Regulated)
877B	393537		WIRE/CONNECTOR, Alternator -(Tri Circuit) (9 Amp)
877A	393456		WIRE/CONNECTOR, Alternator
877	393814		WIRE/CONNECTOR, Alternator -(10 Amp Regulated)
878B	392606		HARNESS, Alternator -(Tri Circuit)
878	393362		HARNESS, Alternator -(Dual Circuit)
897	394970		KIT, Magnetron Ignition

Footnotes:

AssocPart: 0000000393411



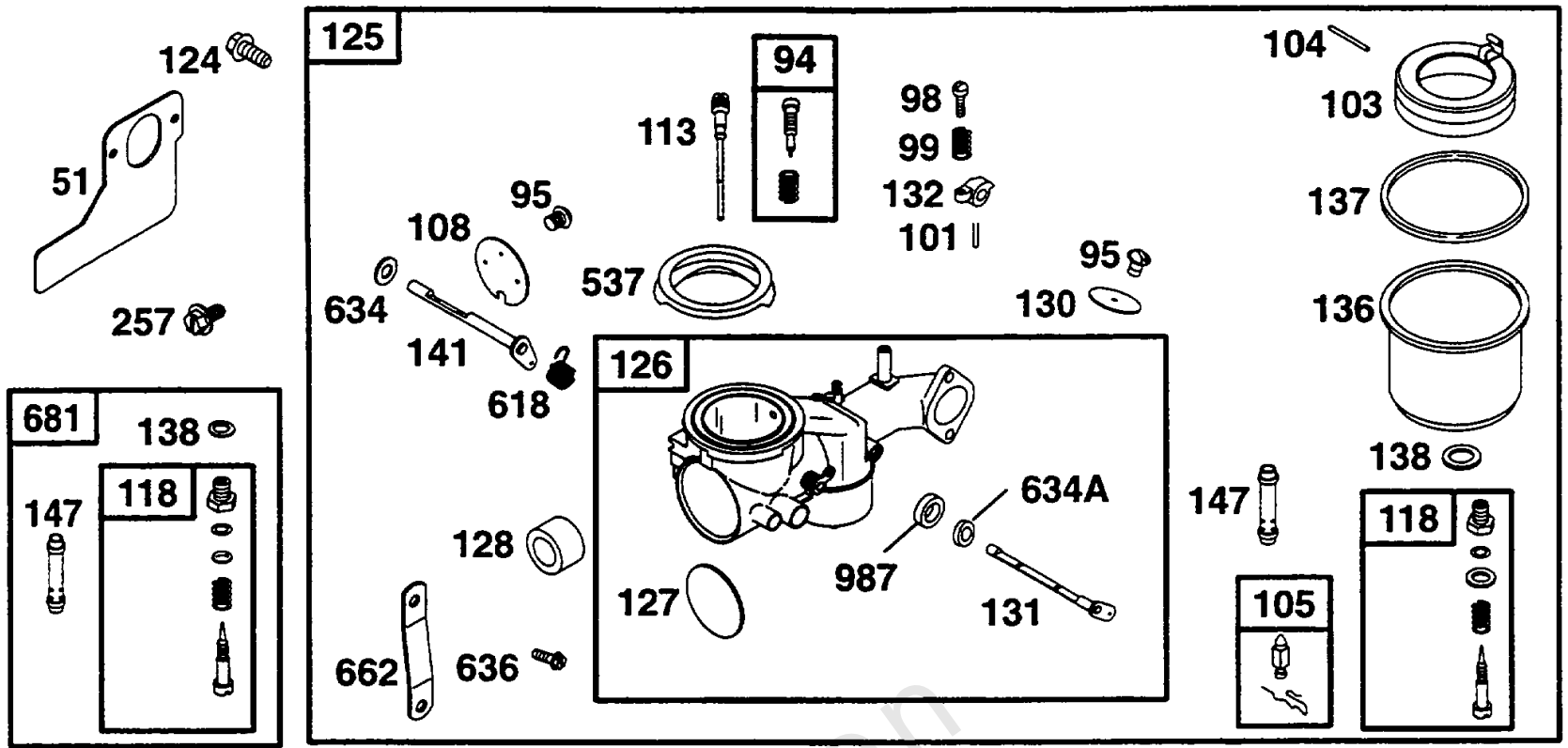
Blower Hsg, Flywheel, Screen

REF NO	PART NO	QTY	DESCRIPTION
23A	498896		FLYWHEEL -(Rewind Starter)
23	498911		FLYWHEEL
24	222698		KEY, Flywheel
37A	222475		GUARD, Flywheel
37B	224871		GUARD, Flywheel
37	224886		GUARD, Flywheel
38	94811		SCREW
73B	496084		SCREEN/PULLEY
73A	224517		SCREEN, Rotating
73	224874		SCREEN, Rotating
74	93758		SCREW -(Rotating Screen)
75	225136		WASHER -(Flywheel)
78	94626		SCREW
169	93713		WASHER
304	398333		HOUSING, Blower
305	94786		SCREW -(1/2)
332	94877		NUT -(Flywheel)
363	19203		PULLER, Flywheel
423	94625		SCREW
455	222561		CUP, Flywheel
726	399676		GEAR, Ring -(Aluminum)
727	395405		COVER, Starter Drive
729	281159		CLIP, Wire
781	280068		CAP, Starter Pulley
1000	223677		BRACKET, Support

Footnotes:

AssocPart: 0000000394698

AssocPart: 0000000393411



Not For
Reproduction

Carburetor Assy

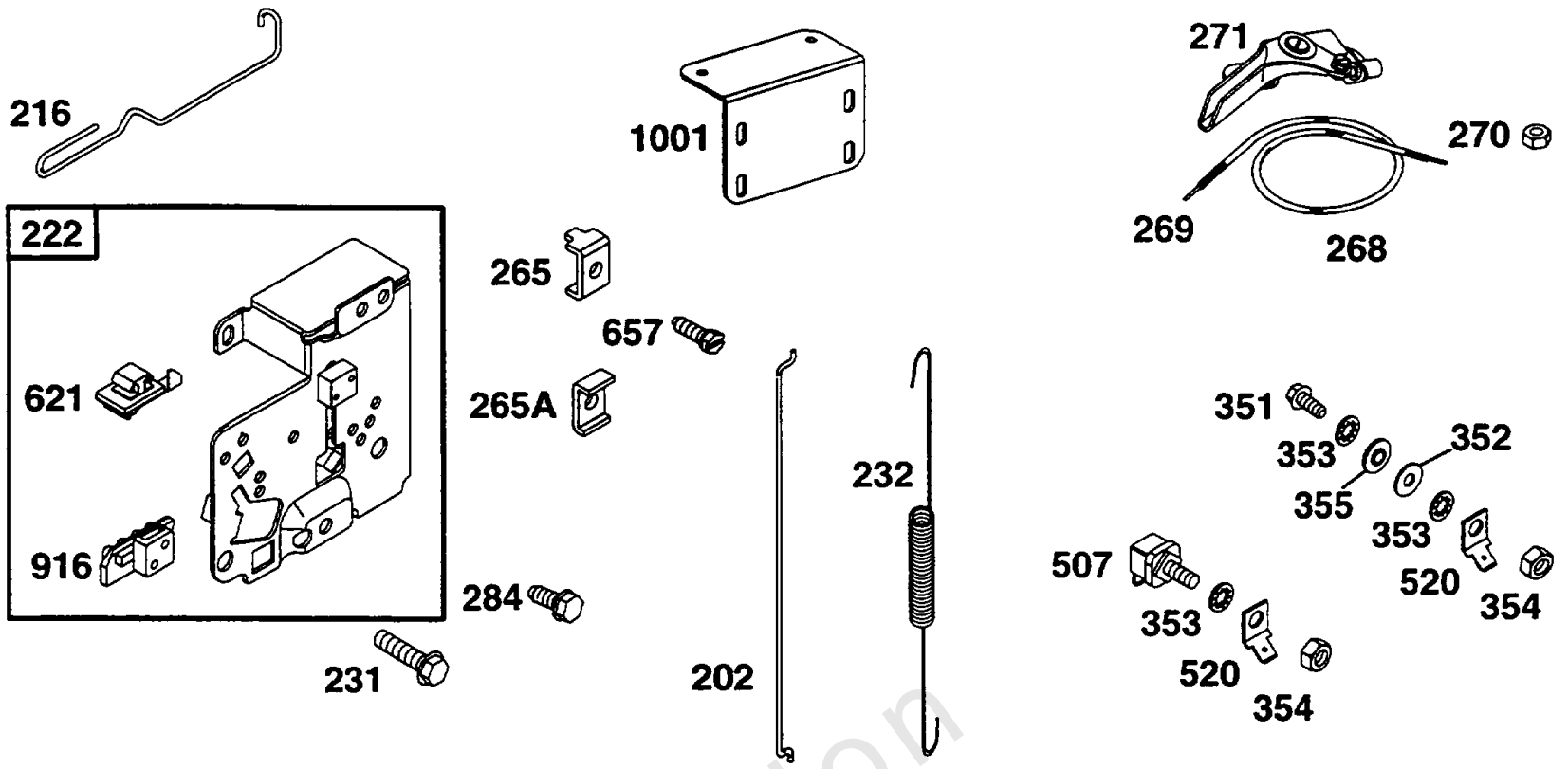
REF NO	PART NO	QTY	DESCRIPTION
51	270872		GASKET, Intake
51	498869		GASKET, Intake
94	292681		VALVE, Idle Mixture
95	93499		SCREW -(Throttle Valve)
98	91920		SCREW -(8-32 X 5/8)
99	26157		SPRING, Compression
101	93043		PIN, Shaft
103	299707		FLOAT, Carburetor
104	231435		PIN, Float Hinge
105	394681		KIT, Needle/Seat -(Gravity Feed)
105	394683		KIT, Needle/Seat -(Pump Feed)
108	222010		VALVE, Choke
113	299740		NOZZLE, Carburetor
118	396568		VALVE, Float Needle
124	94913		SCREW -(Intake Manifold)
125	491026		CARBURETOR -(Choke-A-Matic)
126	391787		BODY, Upper Carburetor
127	221997		PLUG, Welch
128	211960		VENTURI, Carburetor
130	222433		VALVE, Throttle
131	491006		KIT, Throttle Shaft
132	211712		STOP, Throttle
136	221995		BOWL, Float
137	270511		GASKET, Float Bowl
138	222014		WASHER -(Float Bowl)
141	299647		SHAFT, Choke
141	390684		SHAFT, Choke -(Choke-A-Matic)
147	231323		SCREW -(Nozzle)
257	93543		SCREW -(10-32 X 3/8)
537	270853		GASKET, Air Cleaner -(Air Cleaner)
618	261116		SPRING, Choke Return
634A	271013		WASHER, Sealing -(Foam)
634	270382		WASHER -(Foam)
636	94874		SCREW -(Muffler Guard)
662	224440		BRACKET, Support
681	396795		VALVE, Float Needle
987	398970		SEAL, Throttle Shaft -(Lmt 46, 49, 50, 51, 53, 86)

Footnotes:

AssocPart: 0000000022235

AssocPart: 0000000394698

AssocPart: 0000000393411



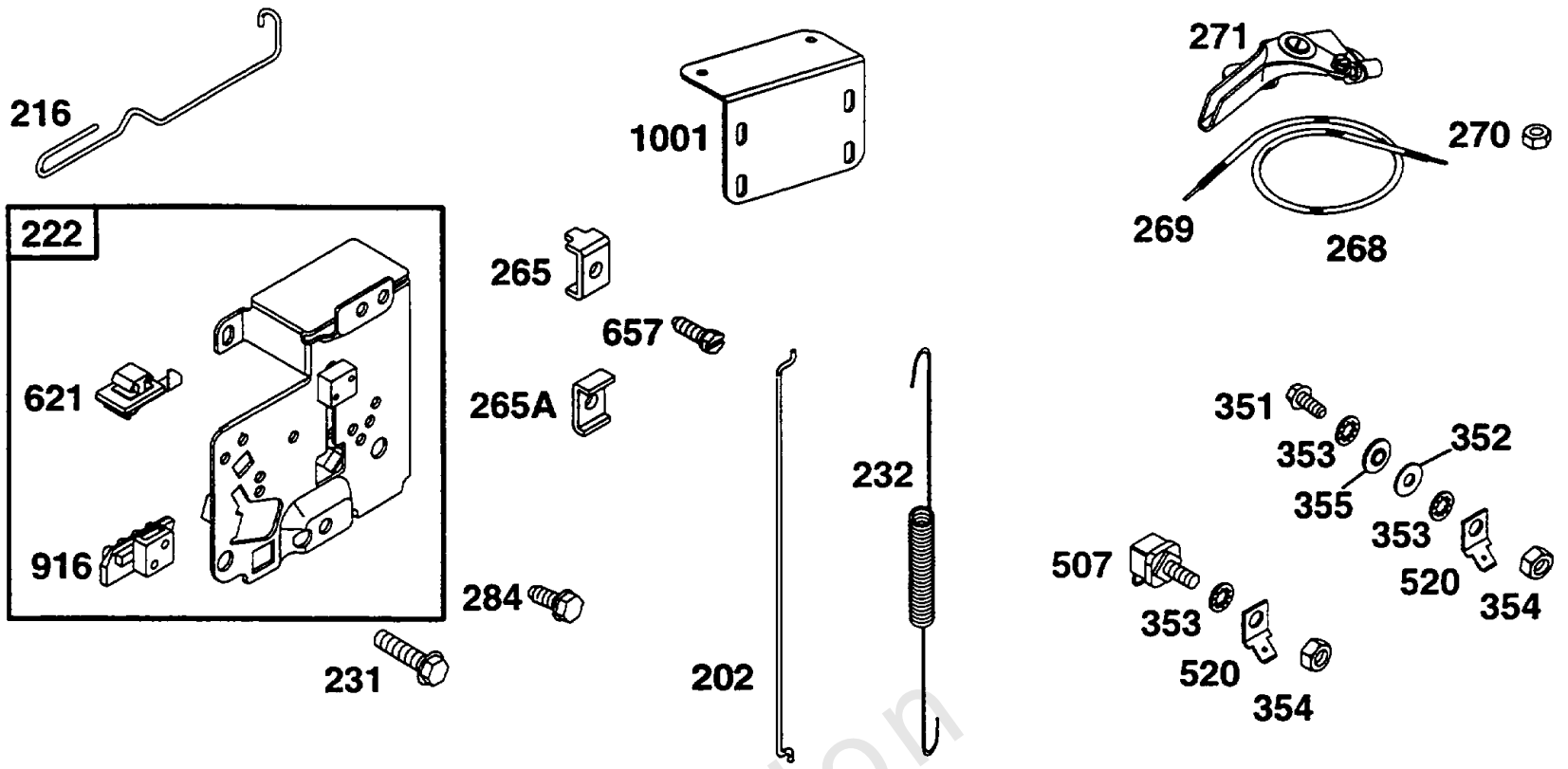
Not For
Reproduction

Controls

REF NO	PART NO	QTY	DESCRIPTION
202	261198		LINK, Choke -Used Before Code Date 82110300
202	261609		LINK, Mechanical Governor
202	262348		LINK, Mechanical Governor -Used After Code Date 87030100
216	261274		LINK, Choke -Used Before Code Date 82110300
216	261610		LINK, Choke -Used After Code Date 82110200
222	396349		BRACKET, Control -(Not Illustrated) -Used Before Code Date 82110300
222	491593		BRACKET, Control -(Remote and Manual Choke)
222	491594		BRACKET, Control -(Choke-A-Matic)
231	94627		SCREW -(Fuel Tank)
232	260584		SPRING/LINK, Mechanical Governor -Used After Code Date 82110200
232	261197		SPRING/LINK, Mechanical Governor -Used Before Code Date 82110300
265A	22372		CLAMP, Casing
265	221535		CLAMP, Casing -(Stamped Steel)
268	65616		CASING, Control Wire -(Cut To Required Length)
269	26633		WIRE, Control -(Cut To Required Length)
270	63426		NUT -(Control Wire Casing)
271	290568		LEVER, Control
284	94874		SCREW -Used After Code Date 83042100
284	94882		SCREW -Used Before Code Date 83042200
351	93735		SCREW
352	66068		WASHER -(Fiber)
353	92791		WASHER
354	90576		NUT -(Ground Terminal)
355	66554		WASHER -(Insulating)
507	398525		INSULATOR
520	93722		TERMINAL, Ground
621	297472		SWITCH, Stop -Used Before Code Date 85041500
621	396847		SWITCH, Stop -Used After Code Date 85041400
657	94906		SCREW
916	280321		RACK, Governor Gear -(Remote and Manual Choke)
916	280324		RACK, Governor Gear -(Choke-A-Matic)

Footnotes:

AssocPart: 0000000393411
Used After Code Date 82110200 and Before Code Date 87030200



Not For
Reproduction

Controls

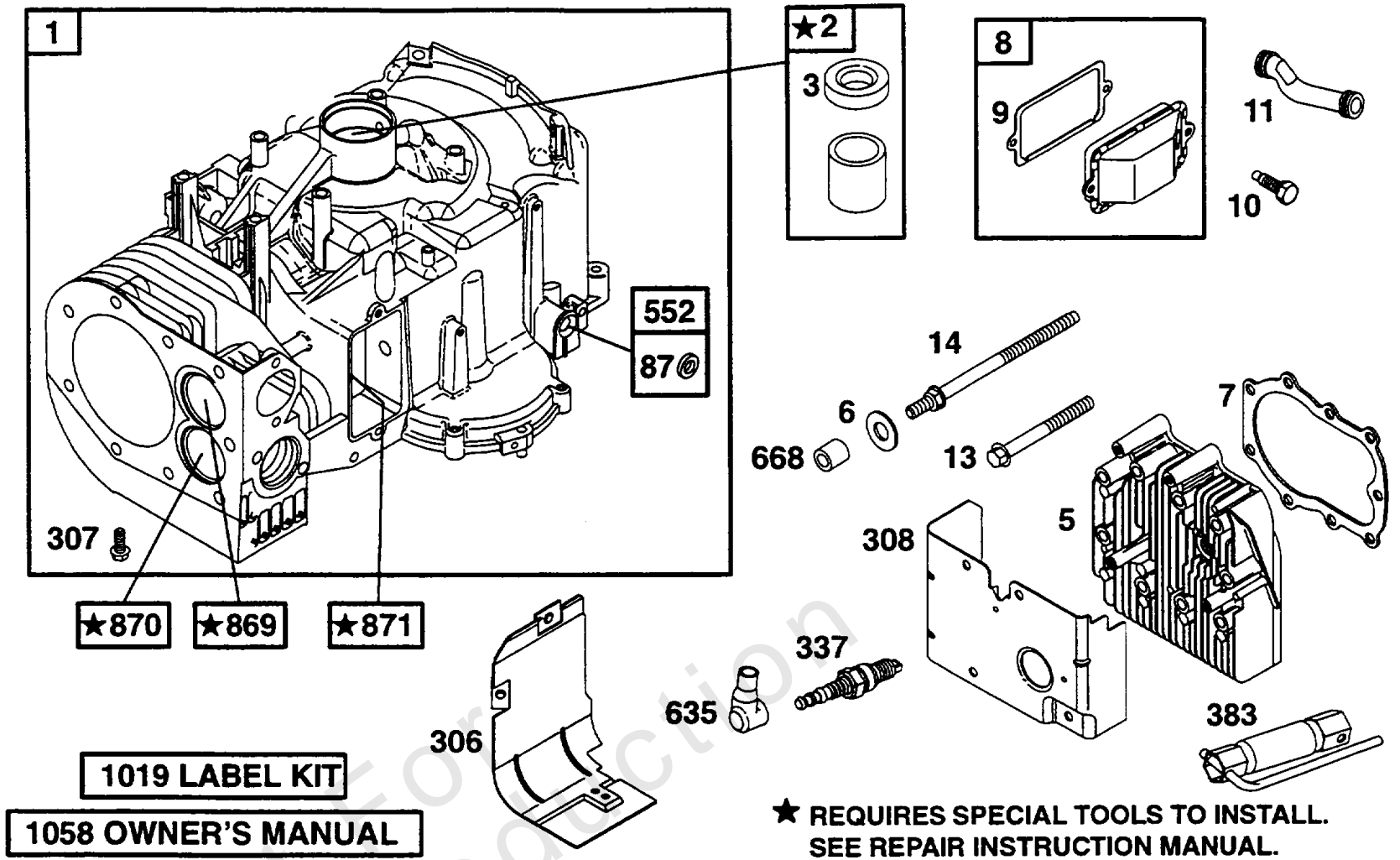
REF NO	PART NO	QTY	DESCRIPTION
1001	223680		BRACKET, Control

Not For
Reproduction

Footnotes:

AssocPart: 0000000393411

Used After Code Date 82110200 and Before Code Date 87030200

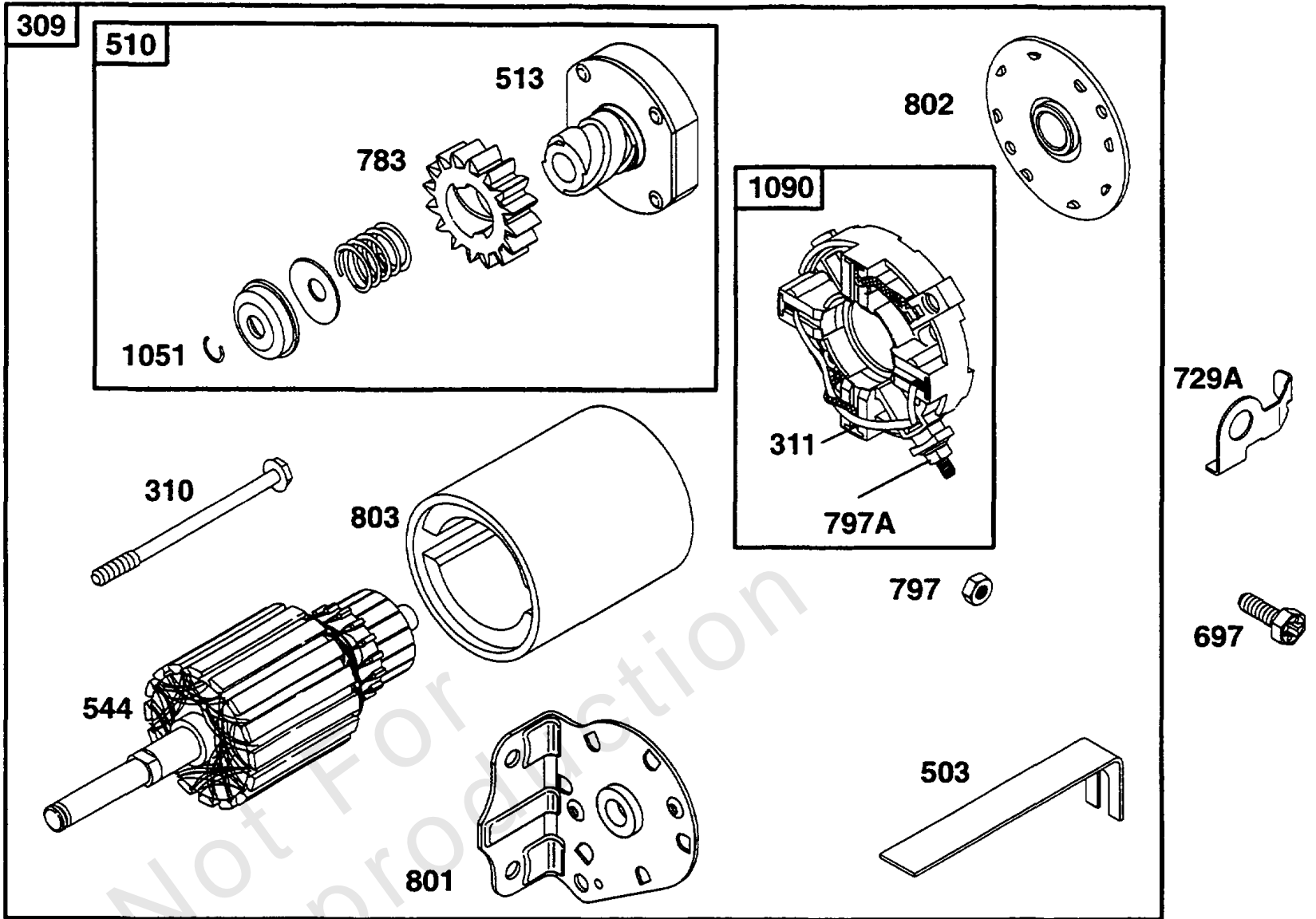


Cylinder, Head

REF NO	PART NO	QTY	DESCRIPTION
1	495729		CYLINDER ASSEMBLY
2	399265		KIT, Bushing/Seal -(Magneto Side)
3	391086		SEAL, Oil -(Magneto Side)
5	212914		HEAD, Cylinder
6	22776		WASHER
6	22963		WASHER
7	271866		GASKET, Cylinder Head
8	495735		BREATHER ASSEMBLY
9	27803		GASKET, Rocker Cover
10	94621		SCREW -(Breather Assembly)
11	280100		TUBE, Breather
13	94622		SCREW -(3)
14	94776		STUD -(3 15/16)
87	491323		SEAL, Governor Shaft
306	224542		SHIELD, Cylinder
307	94930		SCREW -(Cylinder Shield)
308	224897		COVER, Cylinder Head
337	298809		PLUG, Spark
337	802592		PLUG, Spark -(Resistor)
383	89838		WRENCH, Spark Plug
552	491986		BUSHING, Governor Crank -(1/4 I.D.)
635	66538		BOOT, Spark Plug
668	231186		SPACER
869	261463		SEAT, Valve -(Intake)
870	262924		SEAT, Valve -(Exhaust)
871	231218		BUSHING, Valve Guide -(Intake)
871	261961		BUSHING, Valve Guide -(Exhaust)
1019	491254		KIT, Label
1058	270862		MANUAL, Operator's

Footnotes:

AssocPart: 0000000393411

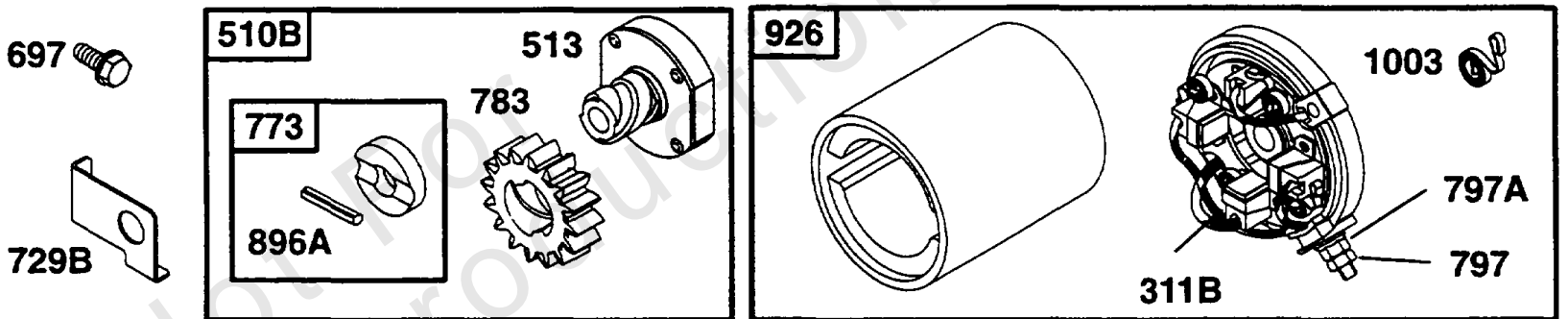
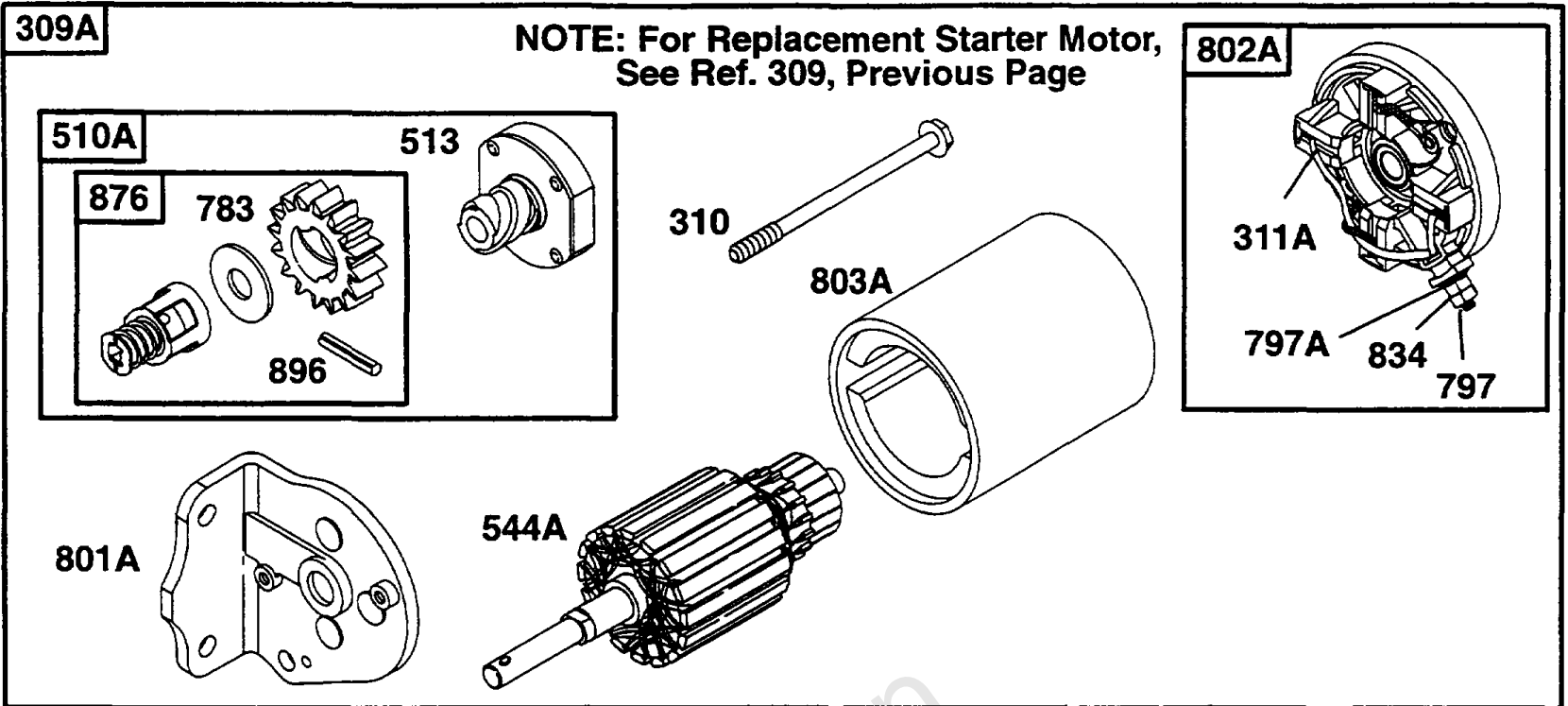


Electric Starter

REF NO	PART NO	QTY	DESCRIPTION
309	499521		MOTOR, Starter
309	693054		MOTOR, Starter -(3 5/8) (Aluminum Ring Gear)
310	94003		SCREW -(3 5/8 Housing)
310	94169		SCREW -(4 1/2 Housing)
310	95035		SCREW -(4 3/8 Housing)
311	497608		SET, Brush
503	806000		STRAP, Ground -(4 9/16 Housing)
510	497606		DRIVE, Starter
513	398003		CLUTCH, Starter
544	497603		ARMATURE, Starter -(3 5/8 Housing)
697	94627		SCREW -(Fuel Tank)
697	94773		SCREW
729A	225170		CLIP, Wire
783	693059		GEAR, Pinion -(Aluminum Ring Gear Only)
797A	693167		NUT
797	92278		NUT -(Starting Switch)
797	93715		NUT -(Starter Terminal)
801	497626		CAP, Drive
802	497607		CAP, End
803	497604		HOUSING, Starter -(3 5/8 Housing)
1051	263080		RING, Retaining
1090	497605		RETAINER, Brush

Footnotes:

AssocPart: 0000000393411

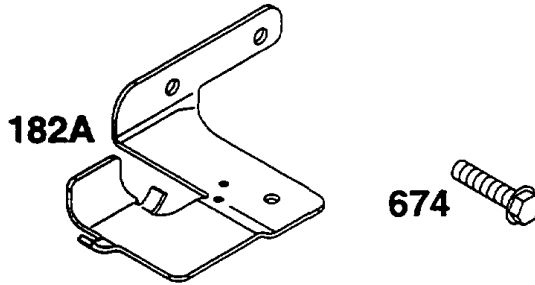
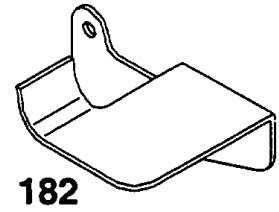
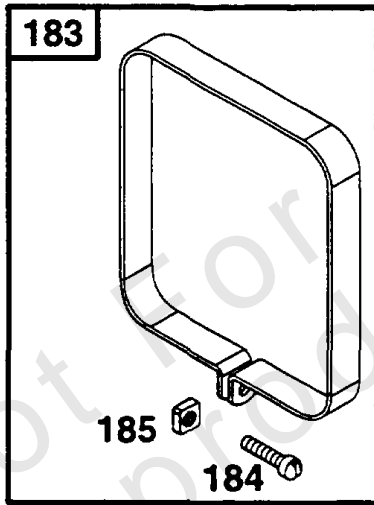
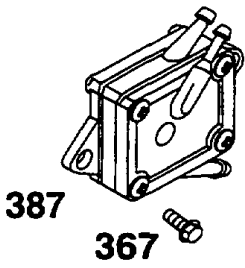
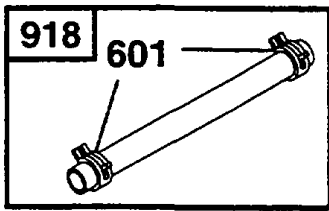
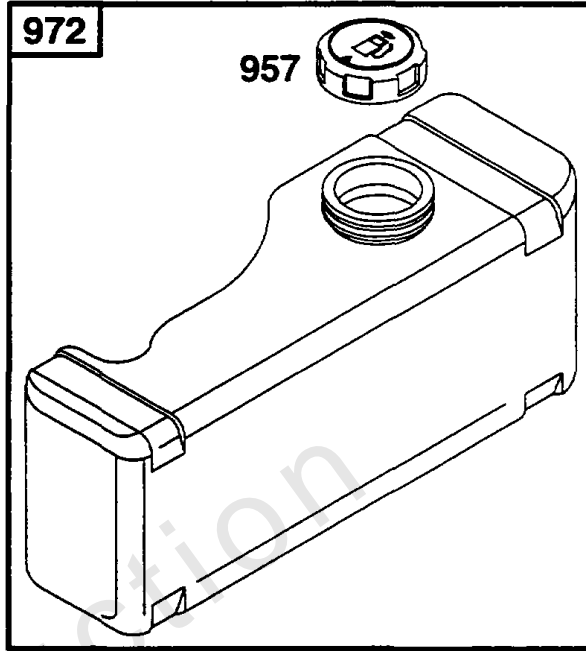
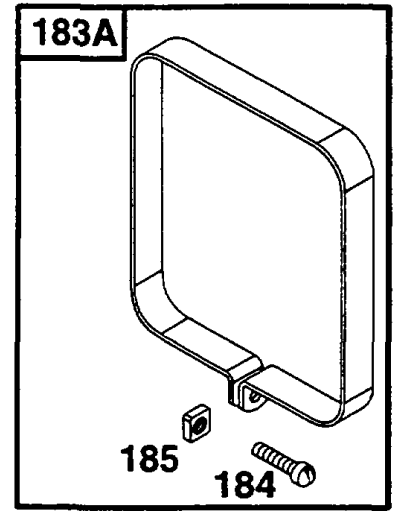
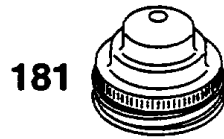
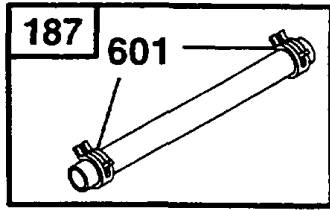


Electric Starter

REF NO	PART NO	QTY	DESCRIPTION
310	94003		SCREW -(3 5/8 Housing)
310	94169		SCREW -(4 1/2 Housing)
310	95035		SCREW -(4 3/8 Housing)
311A	395538		SET, Brush -(3 5/8 Housing)
311B	490311		SET, Brush -(4 9/16 Housing)
510B	391461		DRIVE, Starter -(3 1/2 Housing)
510A	495878		DRIVE, Starter -(4 3/8 Housing)
513	398003		CLUTCH, Starter
544A	390837		ARMATURE, Starter -(3 5/8 Housing)
544A	391160		ARMATURE, Starter
697	94627		SCREW -(Fuel Tank)
697	94773		SCREW
729B	224723		CLIP, Wire
773	391462		RETAINER
783	693059		GEAR, Pinion -(Aluminum Ring Gear Only)
797A	693167		NUT
797	92278		NUT -(Starting Switch)
797	93715		NUT -(Starter Terminal)
801A	394856		CAP, Drive
802A	395537		CAP, End -(3 5/8 Housing)
803A	398159		HOUSING, Starter -(3 5/8 Housing)
803A	494205		HOUSING, Starter -(4 3/8 Housing)
834	92507		WASHER
876	495877		DRIVE, Starter -(4 3/8 Housing)
896A	94192		PIN, Drive Retainer
896	94288		PIN, Drive Retainer
926	498233		KIT, Housing/Cap -(4 9/16 Housing)
1003	490316		SPRING, Brush -(4 1/2 Housing)

Footnotes:

AssocPart: 0000000393411

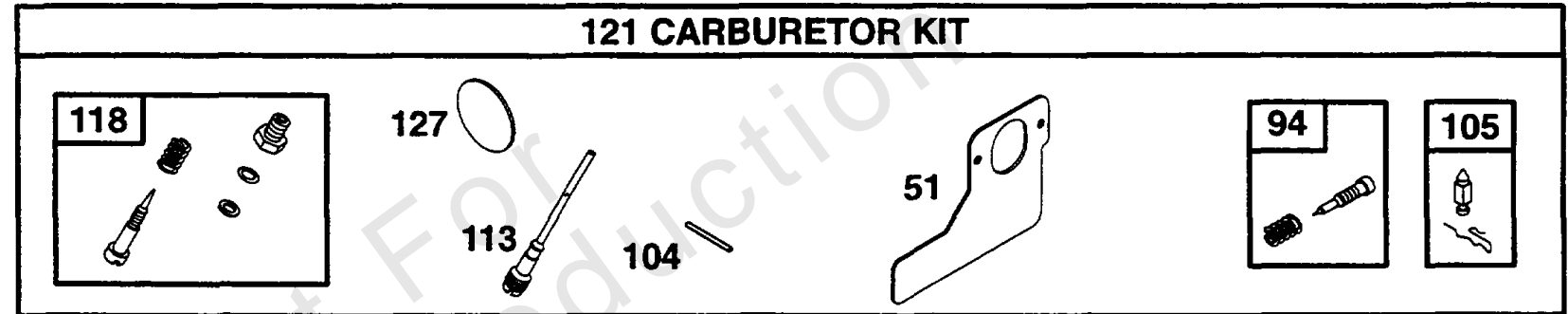
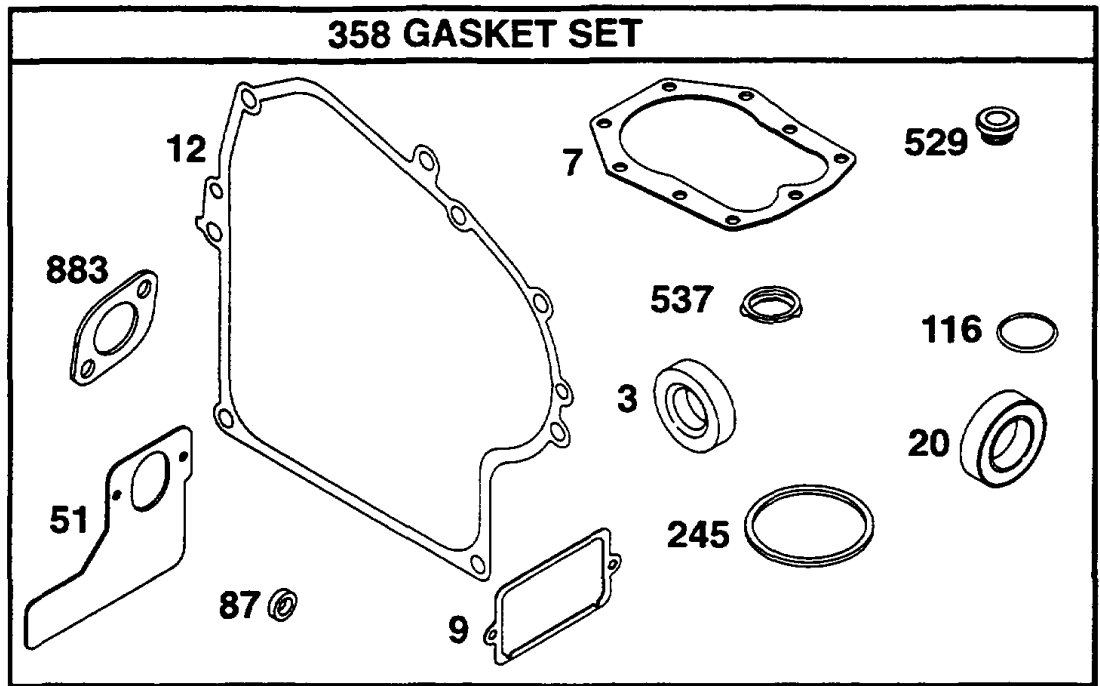
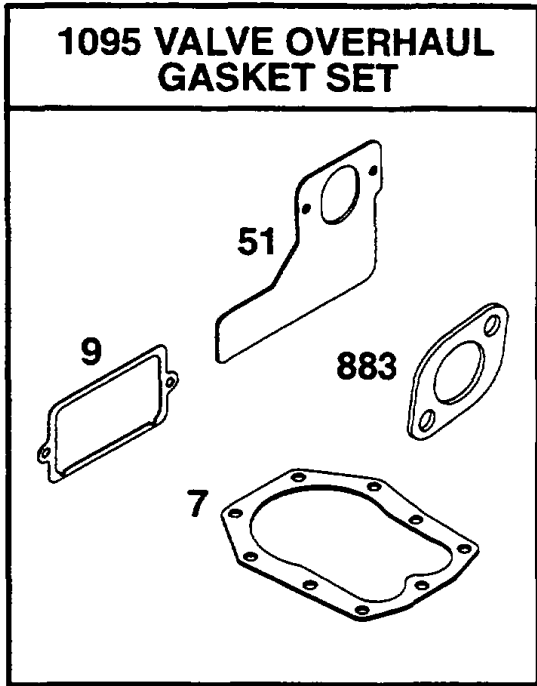


Fuel Tank Group

REF NO	PART NO	QTY	DESCRIPTION
181	392305		CAP, Fuel Tank -(Metal)
182A	224884		BRACKET, Fuel Tank -(L.H.)
182	222980		BRACKET, Fuel Tank -(R.H.)
183A	496852		STRAP, Fuel Tank -(L.H.)
183	496853		STRAP, Fuel Tank -(R.H.)
184	94286		SCREW
185	90970		NUT -(1/4-20)
187	299146		LINE, Fuel -(Cut To Required Length)
240	298090		FILTER, Fuel
284	94874		SCREW -Used After Code Date 83042100
284	94882		SCREW -Used Before Code Date 83042200
367	93380		SCREW
387	494280		PUMP, Fuel -(1/4 O.D.)
527	221428		CLAMP, Tube
601	93053		CLAMP, Hose -(Green)
674	93634		SCREW -(5/16-18 X 7/8)
674	94627		SCREW -(Fuel Tank)
725	222175		SHIELD, Heat
918	393815		HOSE, Vacuum -(Cylinder To Impulse Pump)(Cut To Required Length)
957	493988		CAP, Fuel Tank -(Plastic)
972	390225		TANK, Fuel -(3 Quart) (Plastic)

Footnotes:

AssocPart: 0000000393411
AssocPart: 0000000394698



Not For Reproduction

Gasket Sets

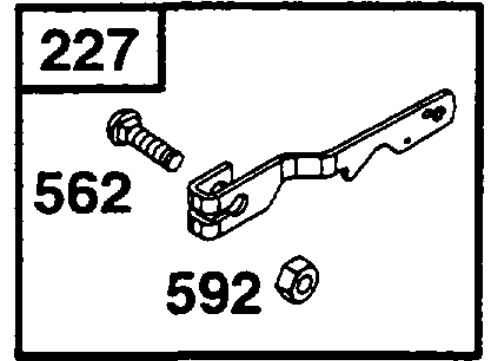
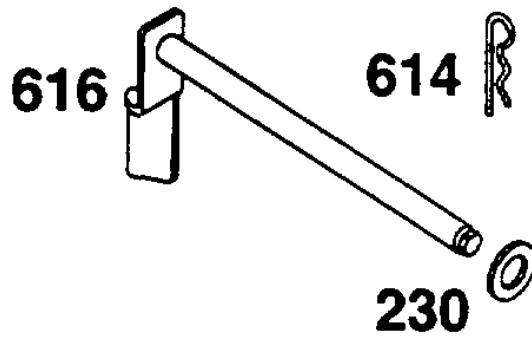
REF NO	PART NO	QTY	DESCRIPTION
3	391086		SEAL, Oil -(Magneto Side)
7	271866		GASKET, Cylinder Head
9	27803		GASKET, Rocker Cover
12	270915		GASKET, Crankcase -(.005)
12	270916		GASKET, Crankcase -(.009)
12	271702		GASKET, Crankcase -(.015)
20	291675		SEAL, Oil -(Crankcase Cover)
51	270872		GASKET, Intake
51	498869		GASKET, Intake
87	491323		SEAL, Governor Shaft
94	292681		VALVE, Idle Mixture
104	231435		PIN, Float Hinge
105	394681		KIT, Needle/Seat -(Gravity Feed)
105	394683		KIT, Needle/Seat -(Pump Feed)
113	299740		NOZZLE, Carburetor
116	270920		SEAL, O-Ring -(Dipstick Tube) (Oil Fill)
118	396568		VALVE, Float Needle
121	394698		KIT, Carburetor Overhaul
127	221997		PLUG, Welch
245	68477		GASKET, Fuel Bowl
358	393411		GASKET SET, Engine
529	281370		SEAL, O-Ring -(Dipstick Tube)
537	270853		GASKET, Air Cleaner -(Air Cleaner)
883	272293		GASKET, Exhaust
1095	498537		GASKET SET, Valve

Footnotes:

AssocPart: 0000000022235

AssocPart: 0000000394698

AssocPart: 0000000393411



Not For
Reproduction

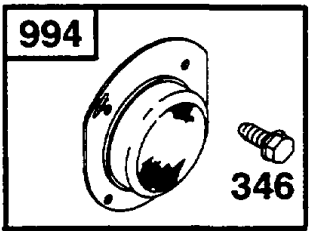
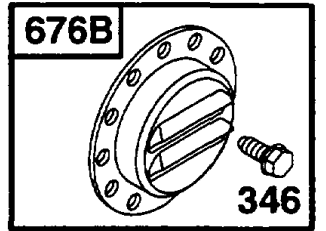
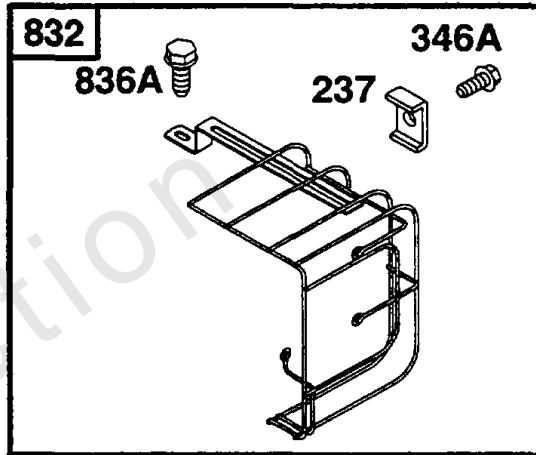
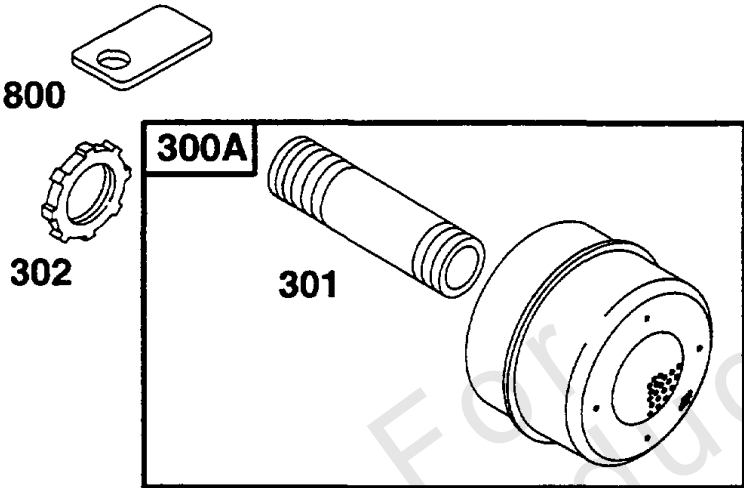
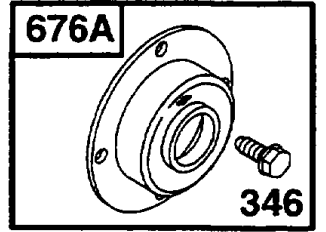
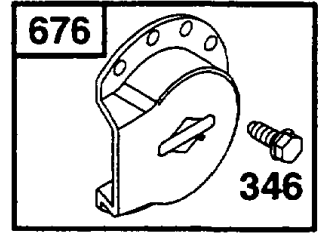
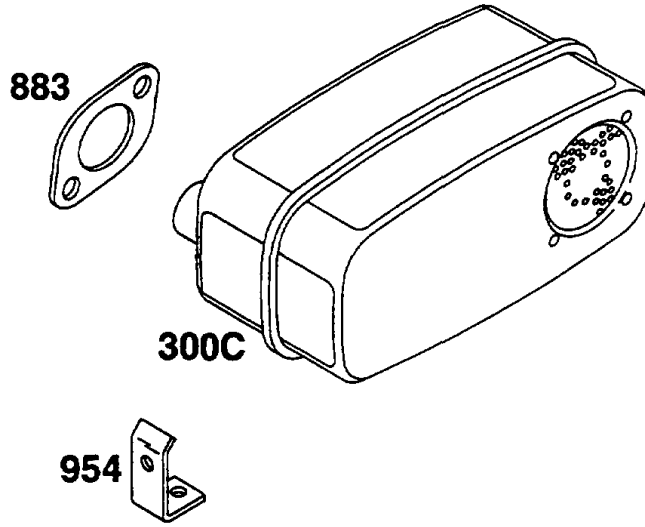
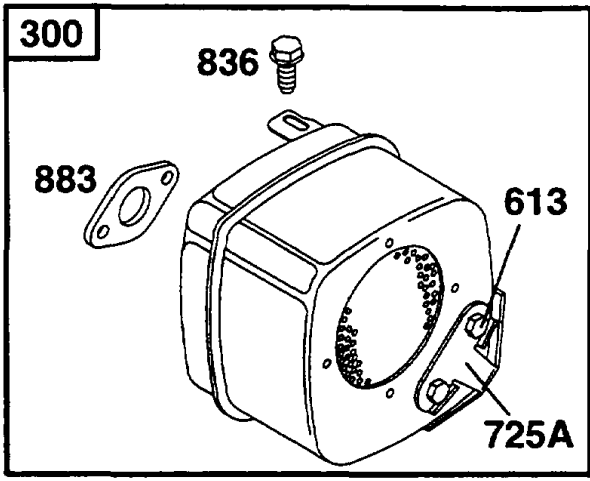
Governor Spring

REF NO	PART NO	QTY	DESCRIPTION
209	260695		SPRING, Governor -Used After Code Date 87030100
209	261306		SPRING, Governor -Used Before Code Date 87030200
227	391733		LEVER, Governor Control -(1/4 Diameter) -Used Before Code Date 87030200
227	490927		LEVER, Governor Control -(1/4 Diameter) -Used After Code Date 87030100
230	94927		WASHER -(Governor Lever)
562	94907		BOLT
592	231978		NUT
614	93306		PIN, Cotter
616	495157		CRANK, Governor

Not For
Reproduction

Footnotes:

AssocPart: 0000000393411



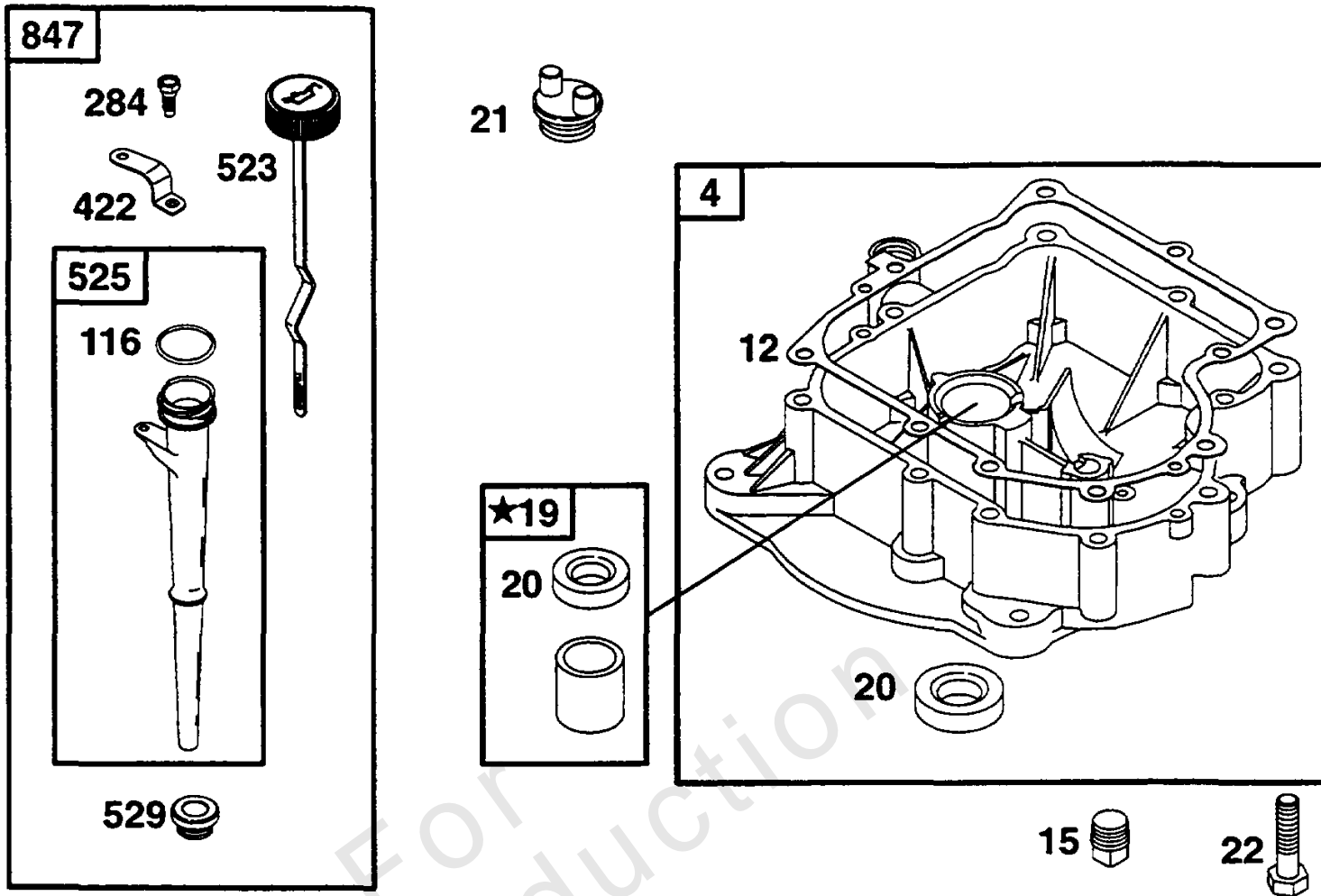
Not For
Reproduction

Muffler Group

REF NO	PART NO	QTY	DESCRIPTION
237	222379		RETAINER, Muffler Guard
300A	391569		MUFFLER
300C	498984		MUFFLER
300	491413		MUFFLER -(Square Lo Tone)
301	93768		PIPE, Exhaust -(5 1/4)
302	261564		LOCKNUT -(Muffler and Elbow)
346A	93587		SCREW -(1/4-20 X 1)
346	94896		SCREW -(Muffler Deflector)
613	93927		SCREW -(Muffler)
676A	396903		DEFLECTOR, Muffler
676B	397630		DEFLECTOR, Muffler -(Louvered Outlet)
676	393761		DEFLECTOR, Muffler -(Side Outlet)
725A	223023		SHIELD, Heat
800	222095		RETAINER
832	398247		GUARD, Muffler
836A	94887		SCREW -(Tapping)
836	94905		SCREW
883	272293		GASKET, Exhaust
954	223379		BRACKET, Mounting
994	392390		ARRESTOR, Spark

Footnotes:

AssocPart: 0000000393411



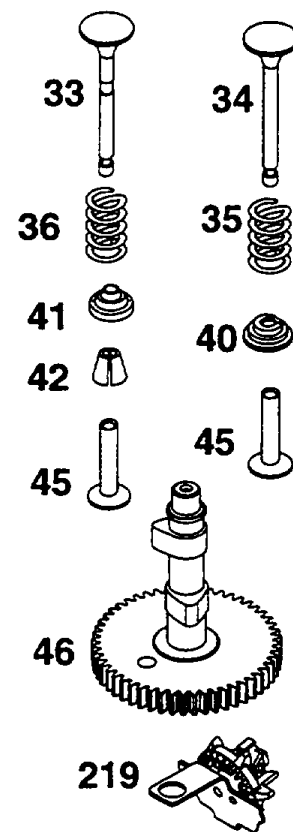
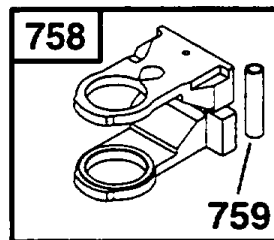
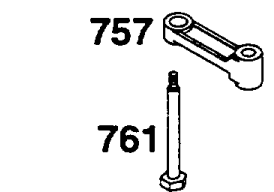
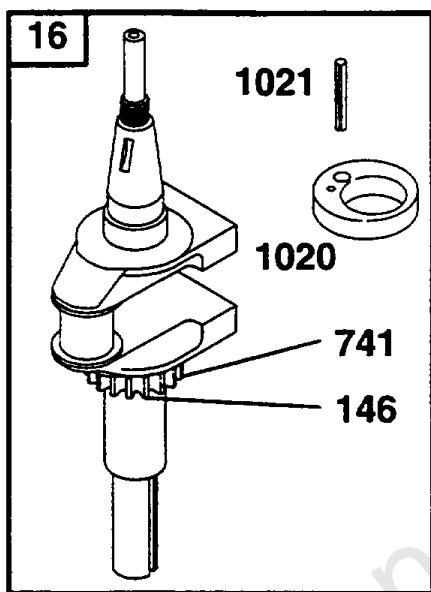
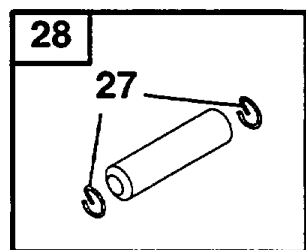
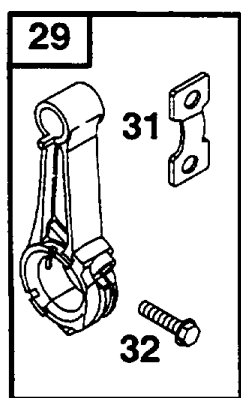
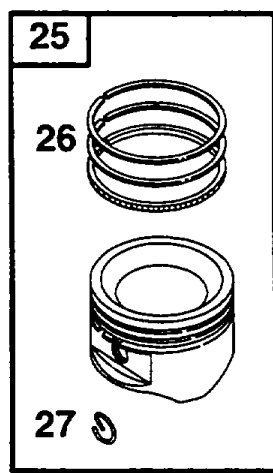
★ REQUIRES SPECIAL TOOLS TO INSTALL.
SEE REPAIR INSTRUCTION MANUAL.

Oil Fill, Sump

REF NO	PART NO	QTY	DESCRIPTION
4	391784		SUMP, Engine
12	270915		GASKET, Crankcase -(.005)
12	270916		GASKET, Crankcase -(.009)
12	271702		GASKET, Crankcase -(.015)
15	94239		PLUG, Oil Drain -(Square Head)
19	490666		KIT, Bushing/Seal
20	291675		SEAL, Oil -(Crankcase Cover)
21	66768		PLUG, Oil
22	93585		SCREW -(Crankcase Cover)
116	270920		SEAL, O-Ring -(Dipstick Tube) (Oil Fill)
284	94874		SCREW -Used After Code Date 83042100
284	94882		SCREW -Used Before Code Date 83042200
422	224872		BRACKET, Oil Fill
523	495229		DIPSTICK
525	280134		TUBE, Dipstick
529	281370		SEAL, O-Ring -(Dipstick Tube)
847	392067		TUBE, Dipstick

Footnotes:

AssocPart: 0000000394698
AssocPart: 0000000393411



Not For
Reproduction

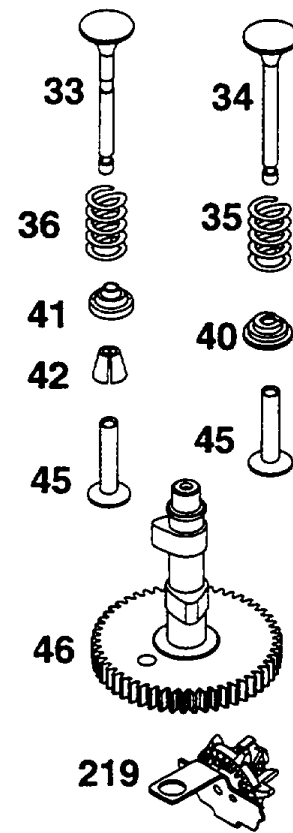
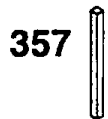
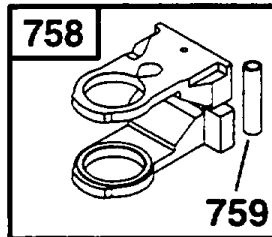
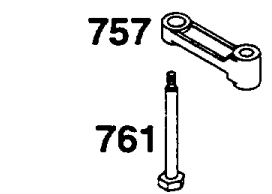
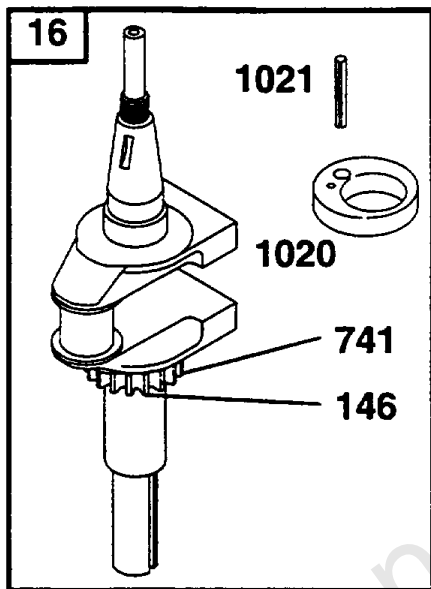
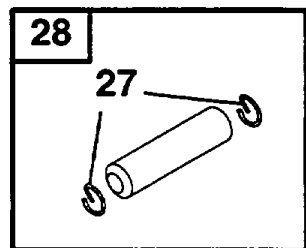
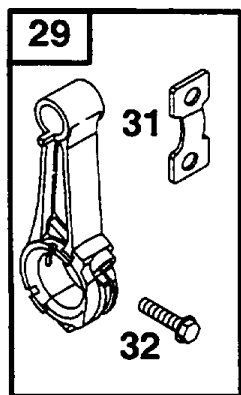
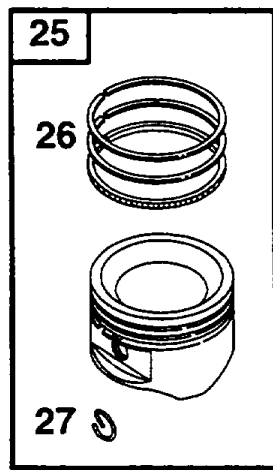
Piston Grp, Crankshaft, Cam

REF NO	PART NO	QTY	DESCRIPTION
16	498994		CRANKSHAFT -Used After Code Date 88071800
25	394661		PISTON ASSEMBLY -(Standard)
25	394662		PISTON ASSEMBLY -(.010 Oversize)
25	394663		PISTON ASSEMBLY -(.020 Oversize)
25	394664		PISTON ASSEMBLY -(.030 Oversize)
26	391780		SET, Ring -(Standard)
26	391781		SET, Ring -(.010 Oversize)
26	391782		SET, Ring -(.020 Oversize)
26	391783		SET, Ring -(.030 Oversize)
26	392331		SET, Ring -(Standard)
27	260924		LOCK, Piston Pin
28	299691		PIN, Piston -(Standard)
28	391286		PIN, Piston -(.005 Oversize)
29	490348		ROD, Connecting -(Standard)
29	490469		ROD, Connecting -(.020 Undersize)
31	222299		LOCK, Rod Screw
32	94671		SCREW
33	261185		VALVE, Exhaust
34	261462		VALVE, Intake
35	65906		SPRING, Valve -(Intake)
36	26828		SPRING, Valve -(Exhaust)
40	221596		RETAINER, Valve -(Valves With Groove In Stem)
41	292260		RETAINER, Valve -(Exhaust Valve) (Exhaust)
42	494553		KEEPER, Valve -(Exhaust)
45	262248		TAPPET, Valve
46	212897		CAMSHAFT
146	231086		PIN, Dowel
146	94196		KEY, Woodruff
219	490815		GEAR, Governor
357	91540		KEY, Drive Pulley -(1/4)
741	261196		GEAR, Timing -(Pin)
741	262932		GEAR, Timing
757	213998		LINK, Counterweight

Footnotes:

AssocPart: 0000000394698

AssocPart: 0000000393411



Not For
Reproduction

Piston Grp, Crankshaft, Cam

REF NO	PART NO	QTY	DESCRIPTION
758	391373		COUNTERWEIGHT
759	230787		PIN, Counterweight
761	94593		SCREW
1020	261242		ECCENTRIC
1021	94853		PIN, Locating

Not For
Reproduction

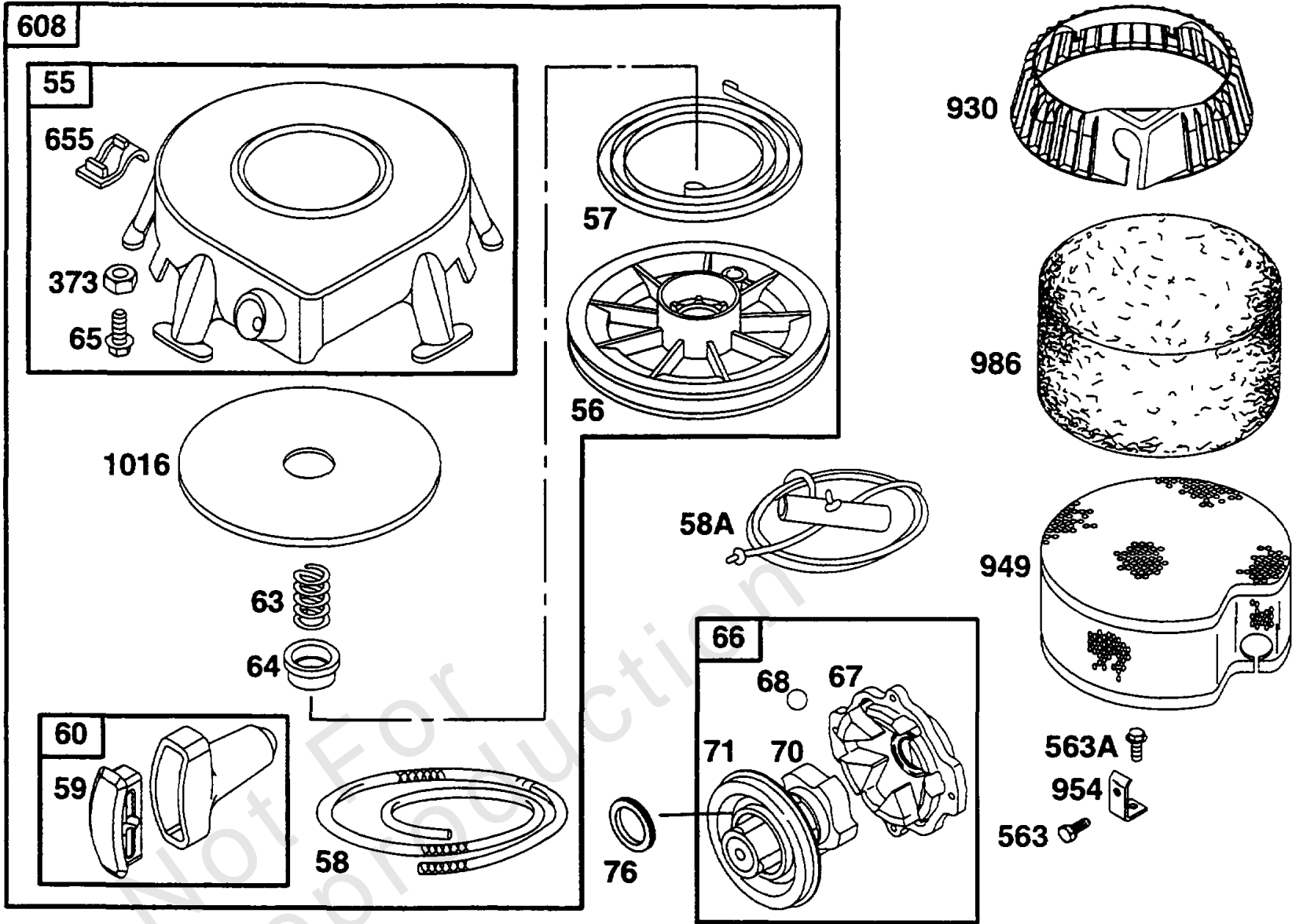
Footnotes:

AssocPart: 0000000394698
AssocPart: 0000000393411

Replacement Engine - US & Canada

REF NO	PART NO	QTY	DESCRIPTION
	2179073025	1	Replacement Engine
	-----		Top No-Load Speed: 3300 -Trim: ALL
	-----		Service Note: If the replacement engine supersedes to or is a Model 210000 series engine, refer to the illustrations located after the conversion data for this model series. The overall dimensions which differ, are shown in the illustrations.
	-----		Service Note: If after making a visual inspection and it is determined the Model 210000 series engine cannot be used because of equipment interference, the original engine should be repaired with a short block and/or individual parts.

Not For Reproduction



Rewind Starter

REF NO	PART NO	QTY	DESCRIPTION
55	393576		HOUSING, Rewind Starter
56	295871		PULLEY, Starter -(63 Rope)
57	490179		SPRING-REWIND STR
58A	69932		GRIP, Starter Rope
58	66894		ROPE, Starter -(Cut To Required Length)
59	490653		INSERT, Grip
60	490652		GRIP-STARTER ROPE
63	260414		SPRING, Ratchet
64	281204		ADAPTER, Ratchet Spring
65	94904		SCREW -(Rewind Starter)
66	399671		CLUTCH-STARTER
67	394897		HOUSING, Clutch
68	63770		BALL, Clutch
70	298799		RATCHET, Clutch
71	394506		COVER, Ratchet -(Rubber Coated)
76	68238		SEAL, Ratchet
373	94908		NUT -(Rewind Starter)
563A	93067		SCREW -(3/8)
563	94925		SCREW
608	390391		STARTER, Rewind
655	222598		ANCHOR, Rewind Spring
930	280685		GUARD, Rewind
949	397530		GUARD, Debris Screen -(Rewind Starter)
949	398857		GUARD, Debris Screen -(Electric Starter)
954	223379		BRACKET, Mounting
986	271735		FILTER, Debris Foam
1016	490817		SPACER-REWIND -(Rewind)

Footnotes:

AssocPart: 0000000393411

