



# Parts Manual

Mfg. No: 217707-0390-B1



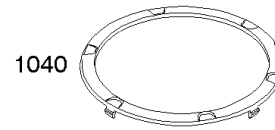
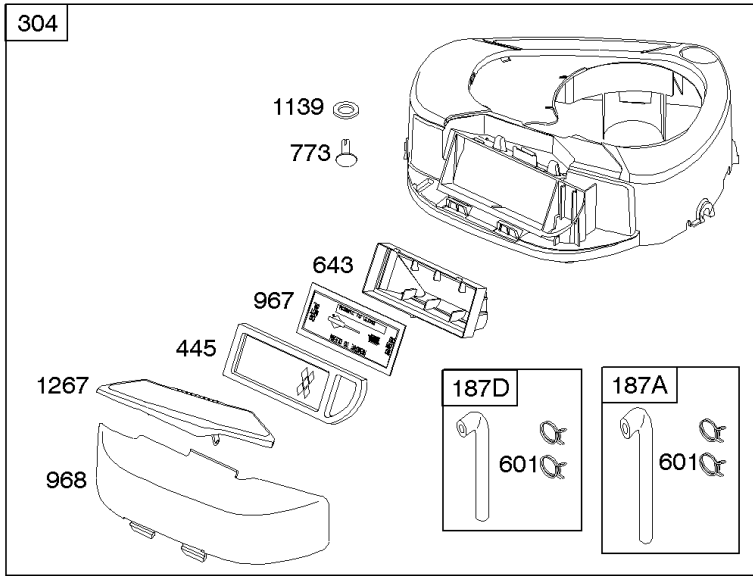
---

<b>Model Components</b>	<b>Page</b>
Air Cleaner, Blower Housing, Exhaust System.....	4
Alternator, Electric Starter, Ignition.....	6
Camshaft, Crankshaft, Lubrication, Piston, Rings, Connecting Rod.....	8
Carburetor, Kit - Carburetor Overhaul.....	10
Controls, Fuel Supply.....	16
Cylinder Head, Gasket Set - Engine, Gasket Set - Valve, Intake Manifold, Valves.....	18
Cylinder, Engine Sump, Operator's Manual, Warning Label.....	22
Flywheel.....	24
Replacement Engine - US & Canada.....	26

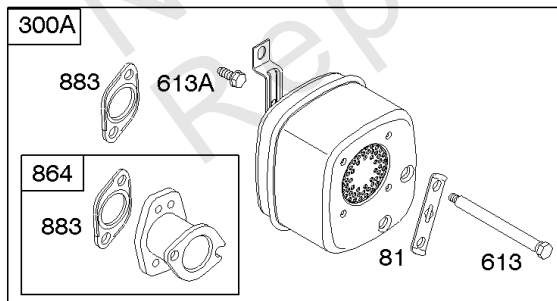
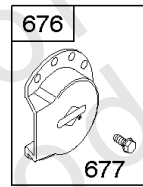
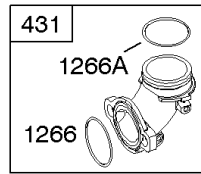
Not For  
Reproduction

304

1036 EMISSIONS LABEL



1040  
305A  
305

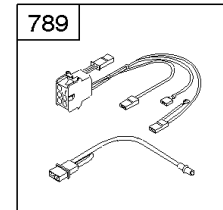
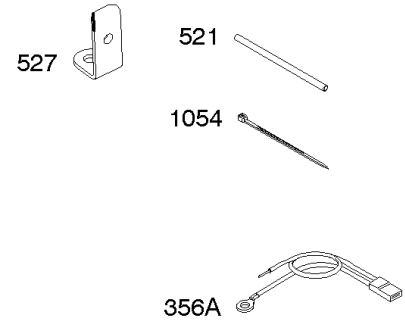
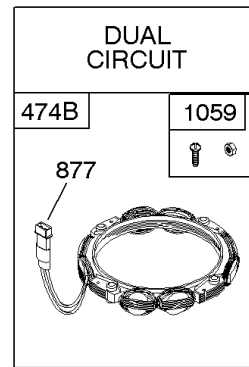



823

Not For Production

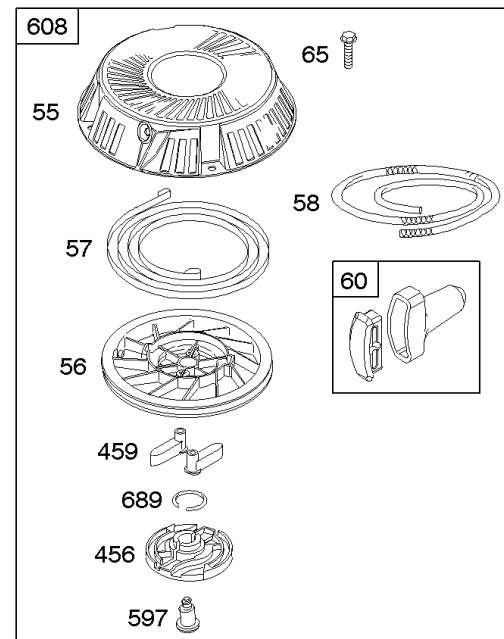
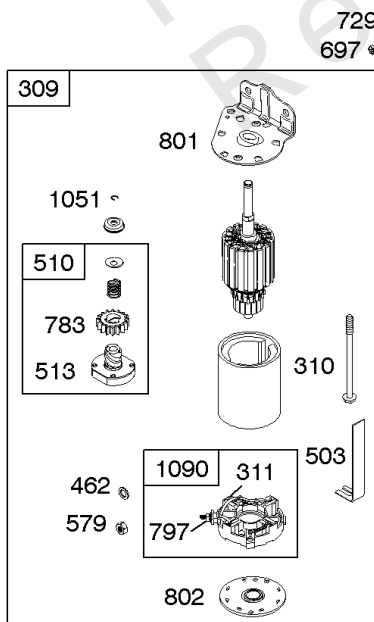
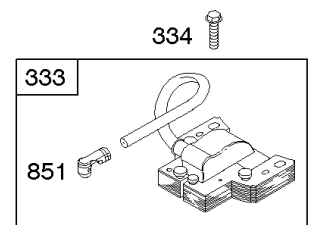
## Air Cleaner, Blower Housing, Exhaust System

REF NO	PART NO	QTY	DESCRIPTION
187A	791806		LINE, Fuel -(Formed)(21 )(Cut to Required Length)
187D	791744		LINE, Fuel -(Formed)(14 Inches Long)(Cut To Required Length)
304	796414		HOUSING, Blower -(Black)
305	697102		SCREW -(Blower Housing)
305A	793376		SCREW -(Blower Housing)
431	697122		MANIFOLD, Intake
445	698413		FILTER, A/C Cartridge -(Non Washable)
601	791850		CLAMP, Hose -(Green)
613	691416		SCREW -(Muffler)
613A	691678		SCREW -(Muffler)
643	697155		RETAINER, Air Filter
677	690661		SCREW -(Muffler Deflector)
773	796448		RETAINER
823	698941		SCREW -(Muffler Adapter)
864	796002		ADAPTER, Muffler -(2 1/4" Long)
864	794661		ADAPTER, Muffler -(1 3/4 )
883	692236		GASKET, Exhaust
967	697292		FILTER, Pre Cleaner
968	697420		COVER, Air Cleaner -(Black)
1036	-----		Label-Emissions -(Available From A Briggs & Stratton Authorized Dealer)
1040	698368		PLATE, Trim
1139	796449		WASHER -(Fuel Pump Bracket)
1266	691917		SEAL, O-Ring -(Intake Elbow)
1266A	697123		SEAL, O-Ring -(Intake Elbow)
1267	697419		LATCH, Blower Housing -(Black)



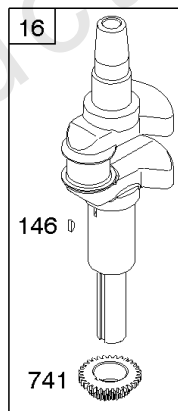
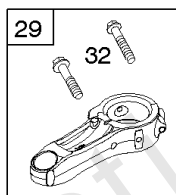
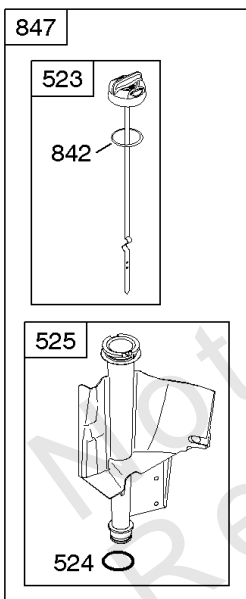
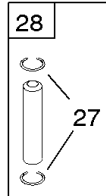
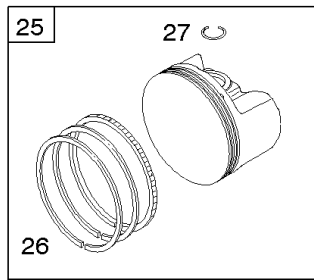
**NOTE:** All stators use a No. 1119 mounting screw. 

**NOTE:** The proper flywheel part number and/or the alternator magnet size will determine the alternator type or output. See repair instruction manual for additional information.

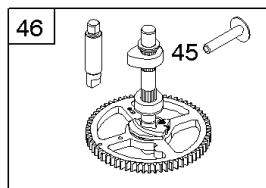


## Alternator, Electric Starter, Ignition

REF NO	PART NO	QTY	DESCRIPTION
55	695130		HOUSING, Rewind Starter
56	695129		PULLEY, Starter
57	695131		SPRING, Rewind Starter
58	695132		ROPE, Starter
60	493926		GRIP, Starter Rope
65	697725		SCREW -(Rewind Starter) -Used Before Code Date 07040900
65	690759		SCREW -(Rewind Starter) -Used After Code Date 07040800
309	693551		MOTOR, Starter
310	690323		SCREW -(Starter Motor)
311	497608		SET, Brush
333	795315		ARMATURE, Magneto
334	691061		SCREW -(Magneto Armature)
456	695128		PLATE, Pawl Friction
459	281505S		PAWL-RATCHET
462	691261		WASHER -(Starter Cable)
474B	696459		ALTERNATOR
503	691532		STRAP, Starter
510	693699		DRIVE, Starter
513	692024		CLUTCH, Drive
579	691029		NUT -(Starter Cable)
597	691696		SCREW -(Pawl Friction Plate)
689	691855		SPRING-FRICTION
697	690372		SCREW -(Drive Cap)
729A	691224		CLIP, Wire -(Starter Motor)
783	693713		GEAR, Pinion
789	698329		HARNESS, Wiring
797	693167		NUT -(Brush Retainer)
801	691283		CAP, Drive
802	691286		CAP, End
851	692424		TERMINAL, Spark Plug
877	393456		WIRE/CONNECTOR, Alternator -(Dual Circuit)
878	398661		HARNESS, Wiring -(2 Wires, 48-1/2, And 48-1/2 )(Snap Connect Female Pin Terminal,And 2 Bare Wire Ends)
1051	691265		RING, Retaining
1054	280275		TIE, Cable
1059	698516		KIT, Screw/Washer
1090	691293		RETAINER, Brush
1119	691183		SCREW -(Alternator)



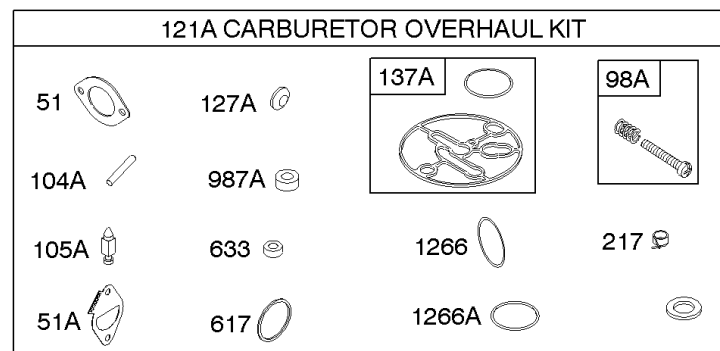
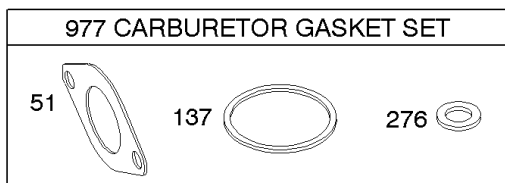
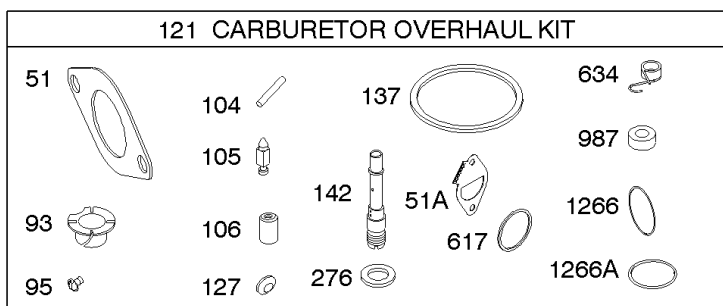
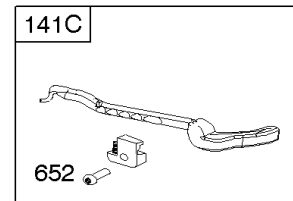
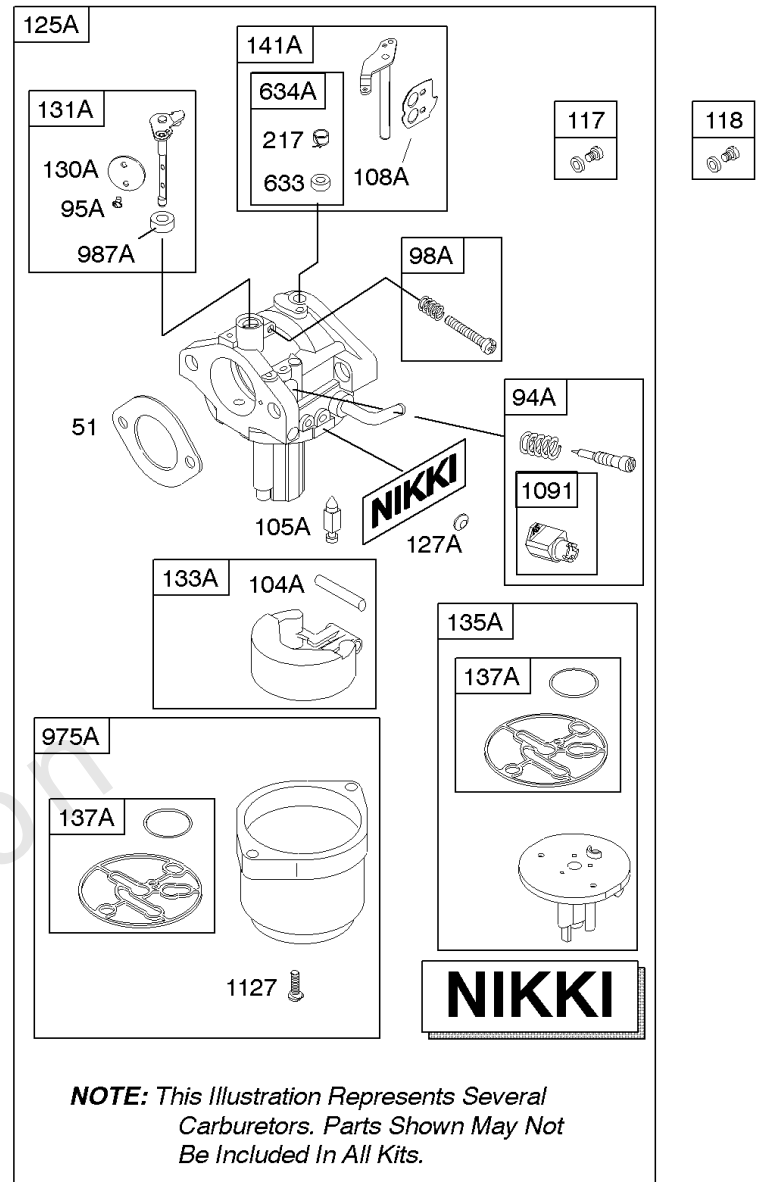
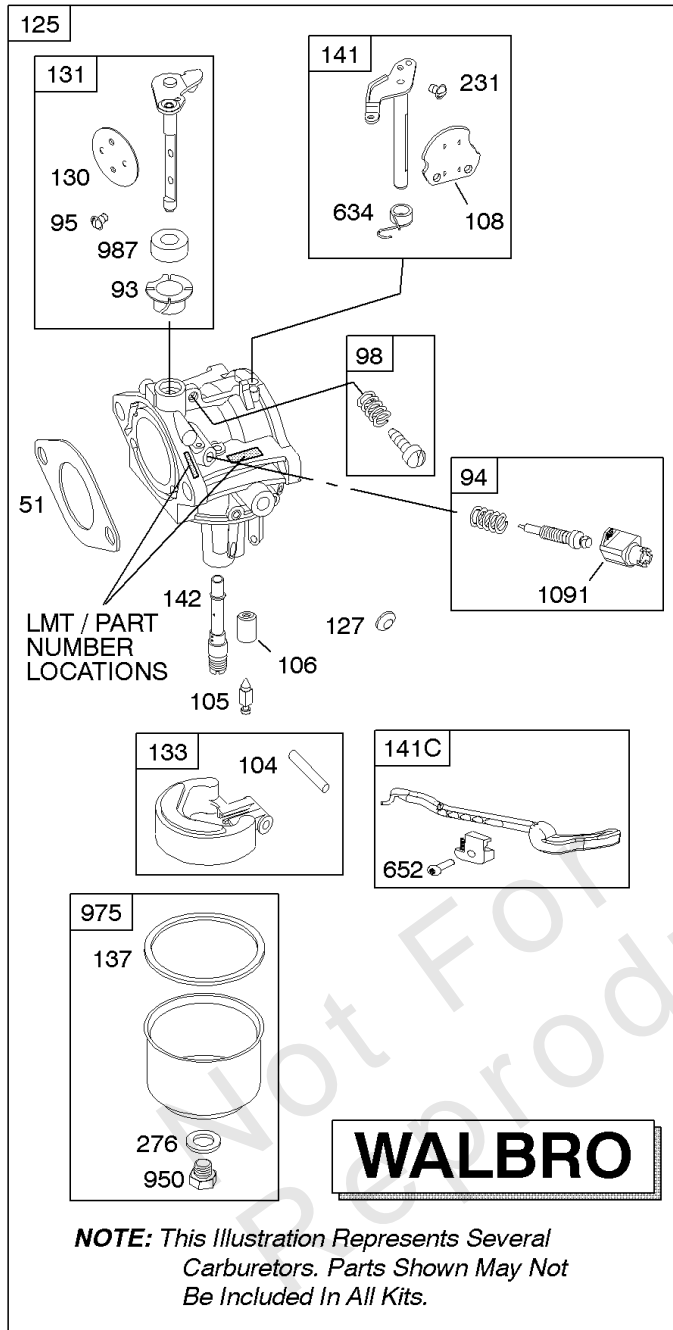
24





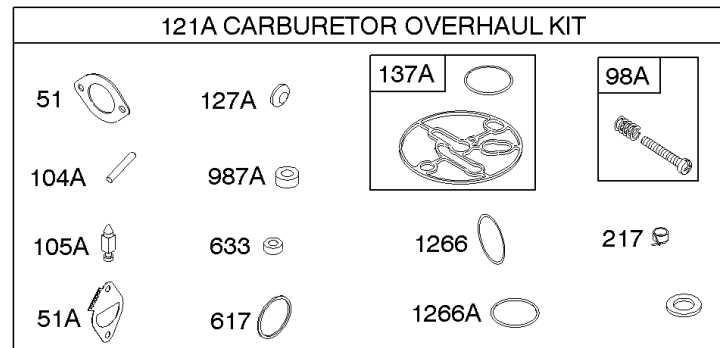
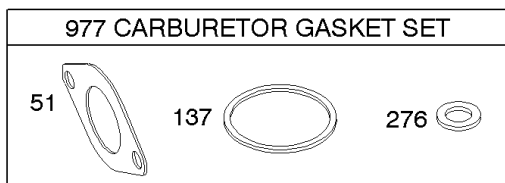
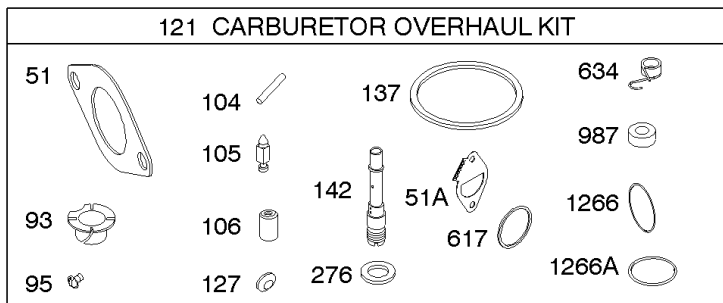
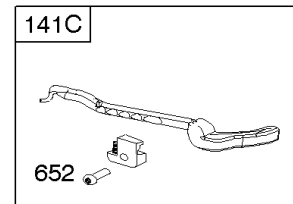
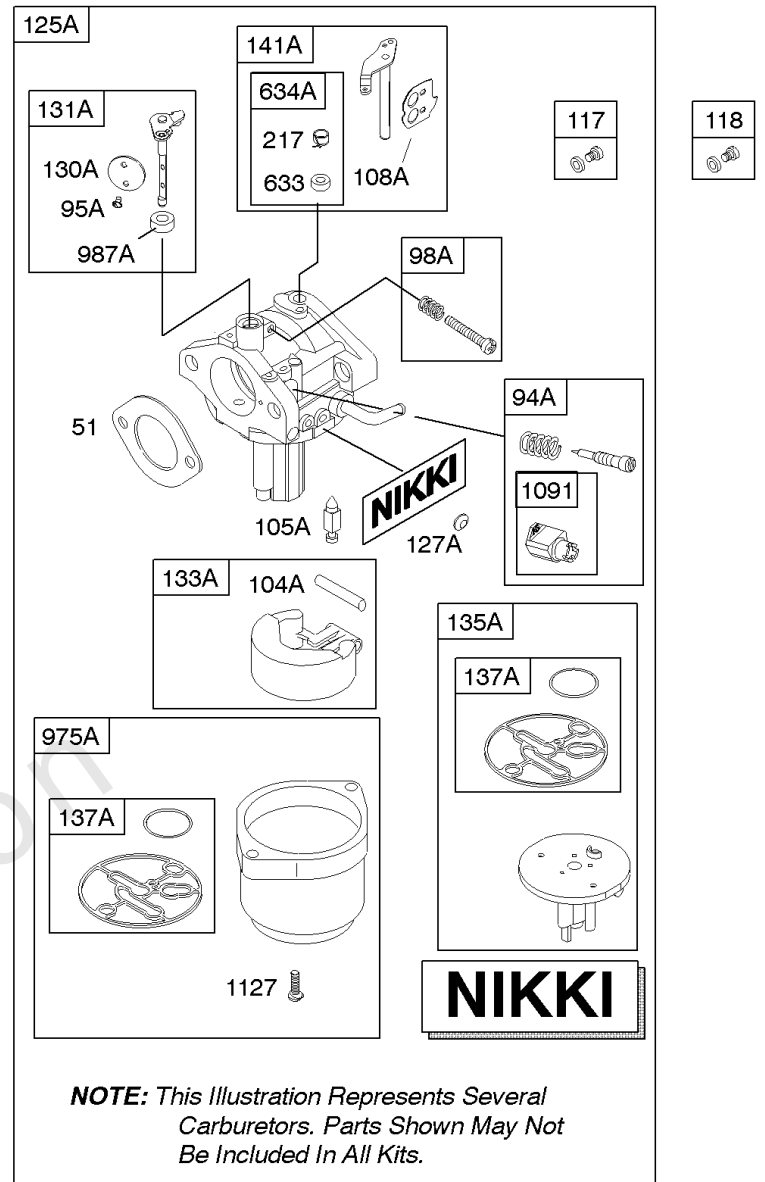
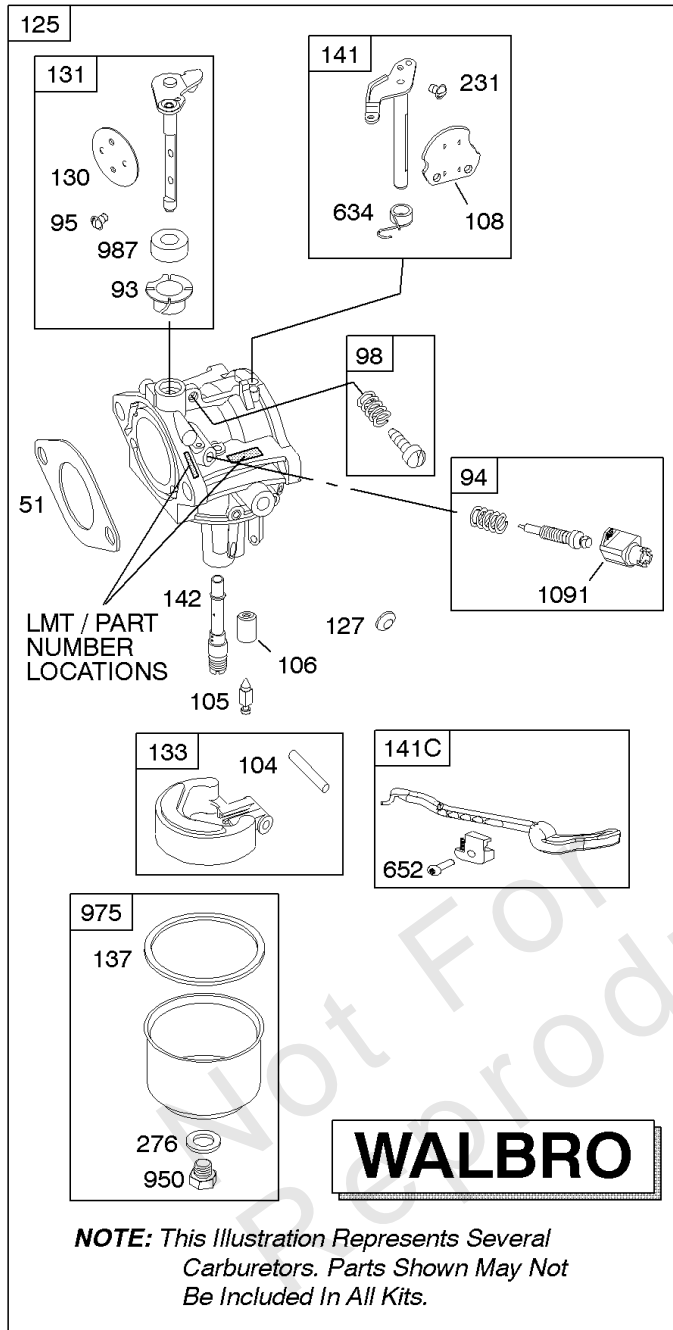
## Camshaft, Crankshaft, Lubrication, Piston, Rings, Connecting Rod

REF NO	PART NO	QTY	DESCRIPTION
16	796146		CRANKSHAFT
24	222698S		KEY, Flywheel
25	796155		PISTON ASSEMBLY -(Standard) -Used Before Code Date 09041600
25	797009		PISTON ASSEMBLY -(Standard) -Used After Code Date 09041500
25	797010		PISTON ASSEMBLY-020 -(.020 Oversize)
26	697120		RING SET-020 -(.020 Oversize) -Used Before Code Date 09041600
26	698375		SET, Ring -(Standard) -Used Before Code Date 08090200
26	792306		SET, Ring -(Standard) -Used After Code Date 08090100 -Used Before Code Date 09041600
26	797011		SET, Ring -(Standard) -Used After Code Date 09041500
26	797012		SET, Ring -(.020 Oversize) -Used After Code Date 09041500
27	698469		LOCK, Piston Pin -(Pink)
28	797013		PIN, Piston -Used After Code Date 09041500
28	697099		PIN, Piston -Used Before Code Date 09041600
29	791633		ROD, Connecting -(Standard)
32	791118		SCREW -(Connecting Rod)
43	691968		SLINGER, Governor/Oil
45	690564		TAPPET, Valve
46	793880		CAMSHAFT
146	691639		KEY, Woodruff
523	699908		DIPSTICK
524	691032		SEAL, O-Ring
525	697184		TUBE, Dipstick
741	697128		GEAR, Timing
842	691031		SEAL, O-Ring -(Dipstick Tube)
847	790442		DIPSTICK/TUBE ASSEMBLY



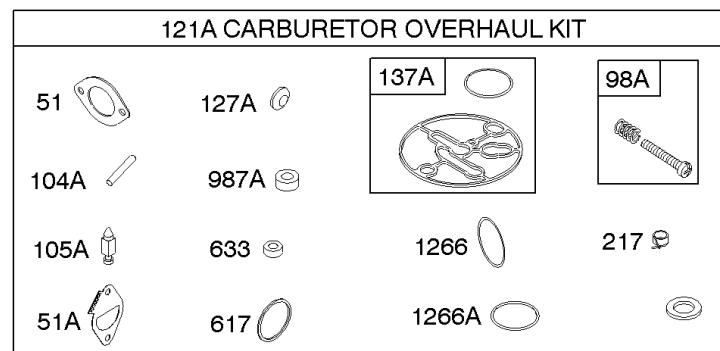
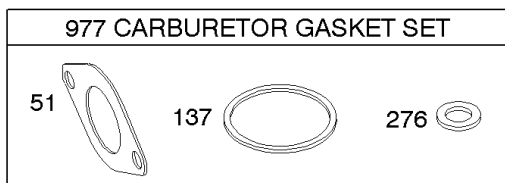
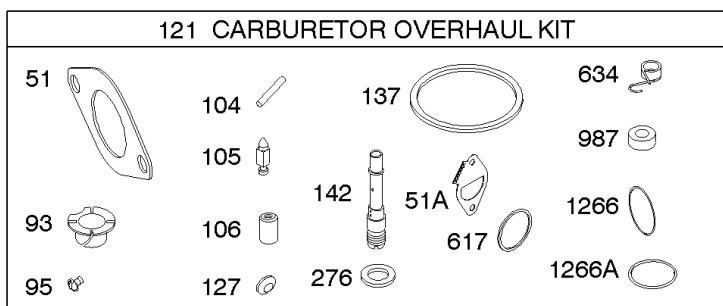
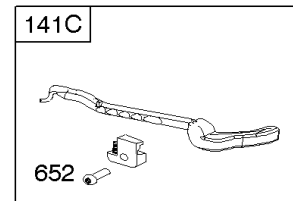
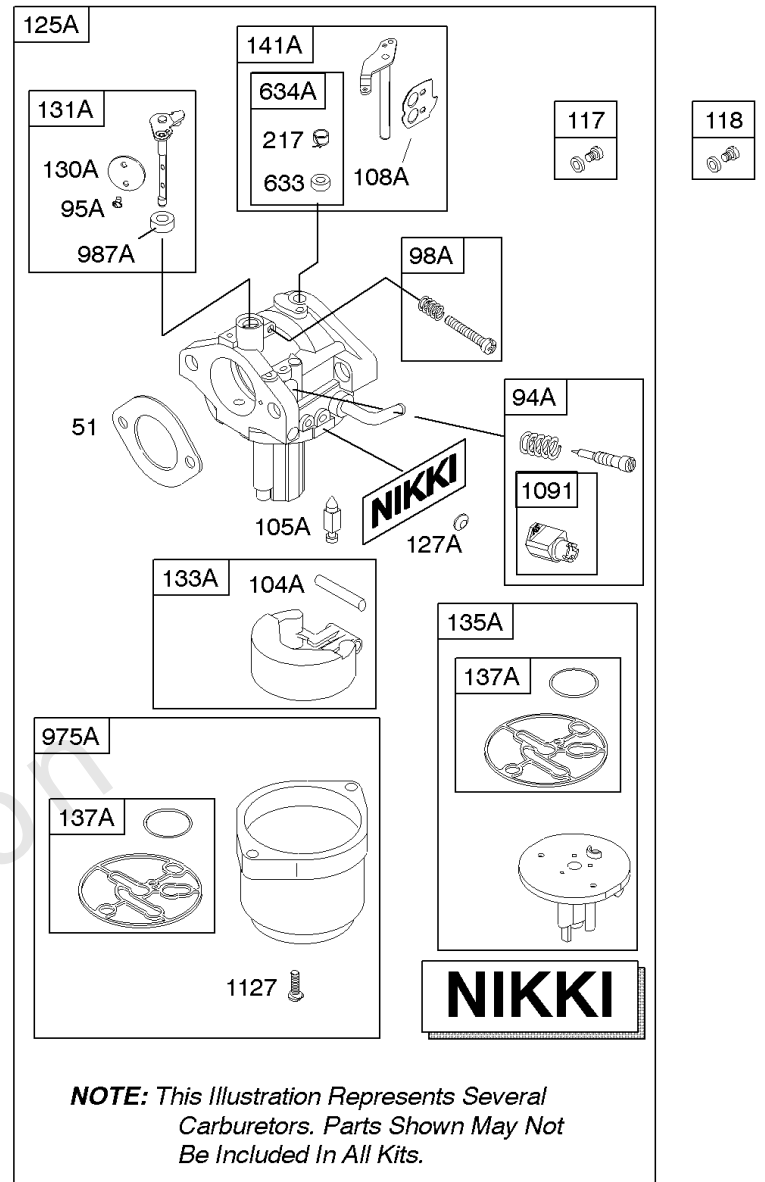
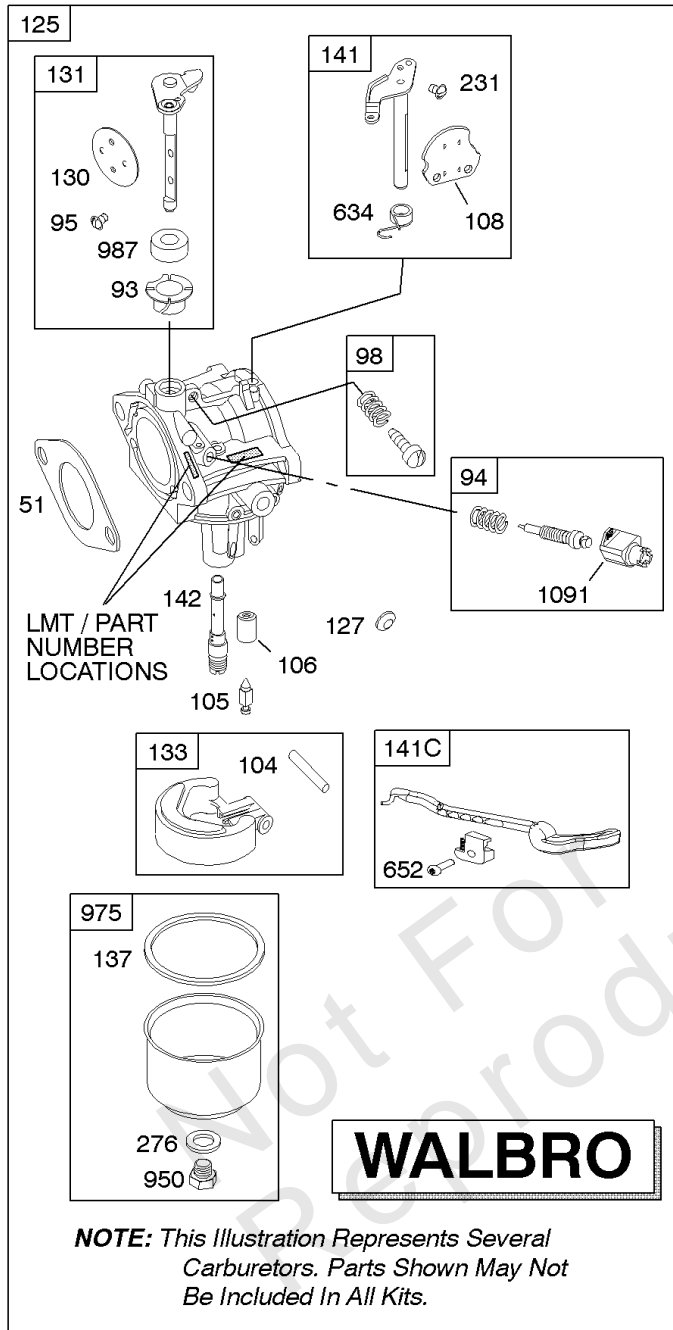
## Carburetor, Kit - Carburetor Overhaul

REF NO	PART NO	QTY	DESCRIPTION
51	692137		GASKET-INTAKE
51A	796081		GASKET, Intake
93	690602		BUSHING, Throttle Shaft
94	794176		KIT, Idle Mixture -(Walbro)
94A	793610		KIT, Idle Mixture -(Nikki)
95	691636		SCREW -(Throttle Valve) (Walbro)
95A	690718		SCREW -(Throttle Valve) (Nikki)
98	495800		KIT, Idle Speed -(Walbro)
98A	695408		KIT, Idle Speed -(Nikki)
104	690525		PIN, Float Hinge
104A	694918		PIN, Float Hinge -(Nikki)
105	231855S		VALVE-FLOAT NEEDLE
105A	696136		VALVE, Float Needle -(Nikki)
106	690577		SEAT, Inlet
108	691227		VALVE, Choke -(Walbro)
108A	698773		VALVE, Choke -(Nikki)
117	794352		JET, Main -(Standard) (Nikki) -Used After Code Date 07122500 -Used Before Code Date 08110600
117	796079		JET, Main -(Standard) (Nikki) -Used After Code Date 08110500
117	699897		JET, Main -(Standard) (Nikki) -Used Before Code Date 07122600
118	796080		JET, Main -(High Altitude) (Nikki) -Used After Code Date 08110500
118	699898		JET, Main -(High Altitude) (Nikki) -Used Before Code Date 07122600
118	791405		JET, Main -(High Altitude) (Nikki) -Used After Code Date 07122500 -Used Before Code Date 08110600
121	790031		KIT, Carburetor Overhaul -(Walbro)
121A	796184		KIT, Carburetor Overhaul -(Nikki)
125A	791266		CARBURETOR -(Nikki) -Used Before Code Date 07122600
125A	796077		CARBURETOR -(Nikki) -Used After Code Date 08110500
125A	794308		CARBURETOR -(Nikki) -Used After Code Date 07122500 -Used Before Code Date 08110600
127	694524		PLUG, Welch -(Walbro)



## Carburetor, Kit - Carburetor Overhaul

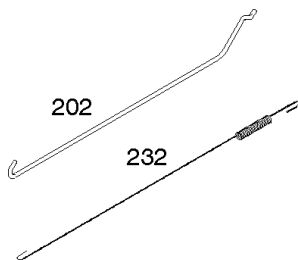
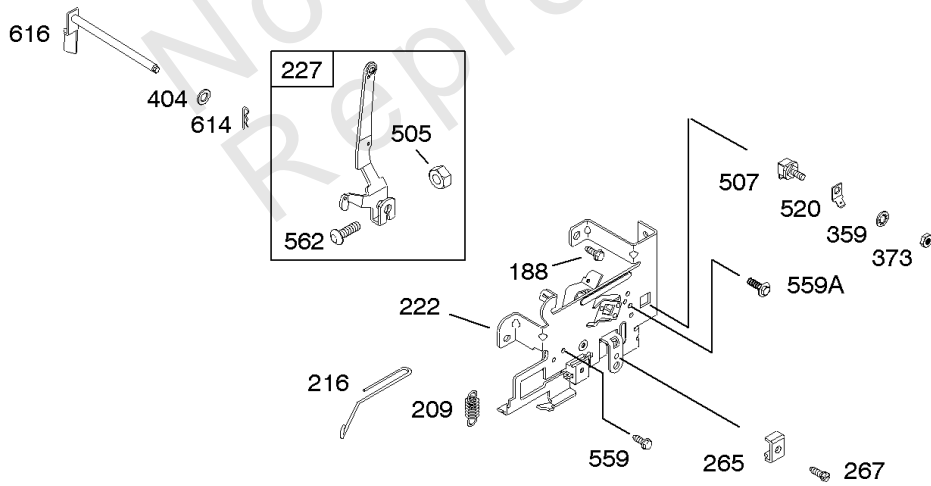
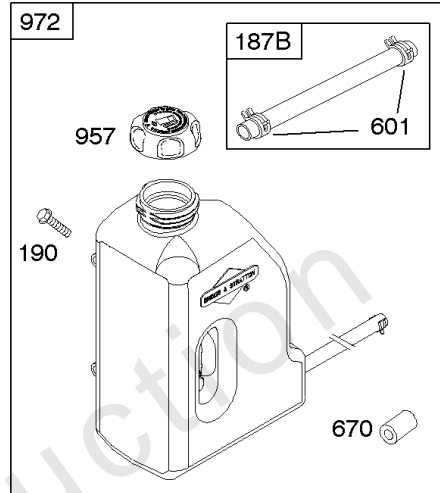
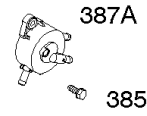
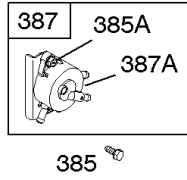
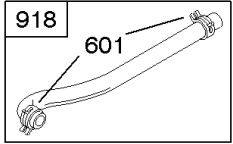
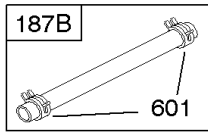
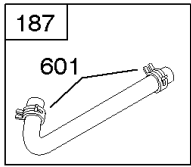
REF NO	PART NO	QTY	DESCRIPTION
127A	690727		PLUG, Welch -(Nikki)
130	790024		VALVE, Throttle -(Walbro)
130A	698774		VALVE, Throttle -(Nikki)
131	790901		KIT, Throttle Shaft -(Walbro)
131A	698776		KIT, Throttle Shaft -(Nikki)
133	494381		FLOAT, Carburetor -(Walbro)
133A	694914		FLOAT, Carburetor -(Nikki)
135A	698780		TUBE, Fuel Transfer -(Nikki)
137	281165S		GASKET, Float Bowl
137A	698781		GASKET, Float Bowl -(Nikki)
141	790902		KIT, Choke Shaft -(Walbro)
141A	698778		KIT, Choke Shaft -(Nikki)
141C	793386		KIT, Choke Shaft -(Nikki)
142	790025		NOZZLE, Carburetor -(Standard) (Walbro)
143	790028		NOZZLE, Carburetor -(High Altitude) (Walbro)
217	695409		SPRING, Choke Return
231	691636		SCREW -(Choke Valve)
276	692255		WASHER, Sealing
617	692138		SEAL, O-Ring -(Intake Manifold)
633	699813		SEAL, Choke/Throttle Shaft -(Nikki)
634	690802		SPRING/SEAL ASSEMBLY
634A	698779		SPRING/SEAL ASSEMBLY -(Nikki)
652	793380		SCREW -(Support Bracket)
950	691657		SCREW -(Float Bowl) (Bottom Of Bowl)
975	495933		BOWL, Float -(Walbro)
975A	698783		BOWL, Float -(Nikki)
977	690192		SET, Carburetor Gasket -(Walbro)
987	691326		SEAL, Choke/Throttle Shaft -(Walbro)
987A	698777		SEAL, Choke/Throttle Shaft -(Nikki)
1091	691333		CAP, Limiter
1127	695407		SCREW -(Float Bowl) (Float Bowl to Carburetor Body) (Nikki)
1266	691917		SEAL, O-Ring -(Intake Elbow)



## Carburetor, Kit - Carburetor Overhaul

REF NO	PART NO	QTY	DESCRIPTION
1266A	697123		SEAL, O-Ring -(Intake Elbow)

Not For Reproduction



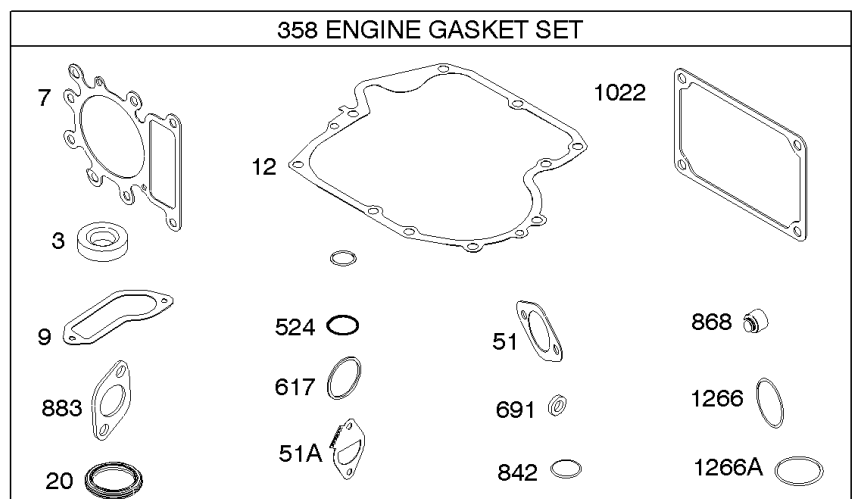
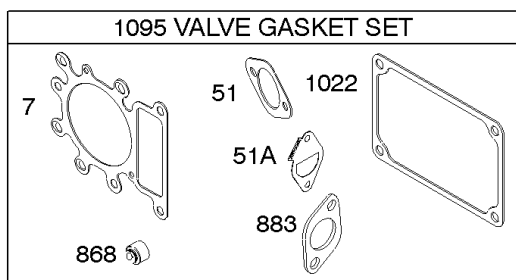
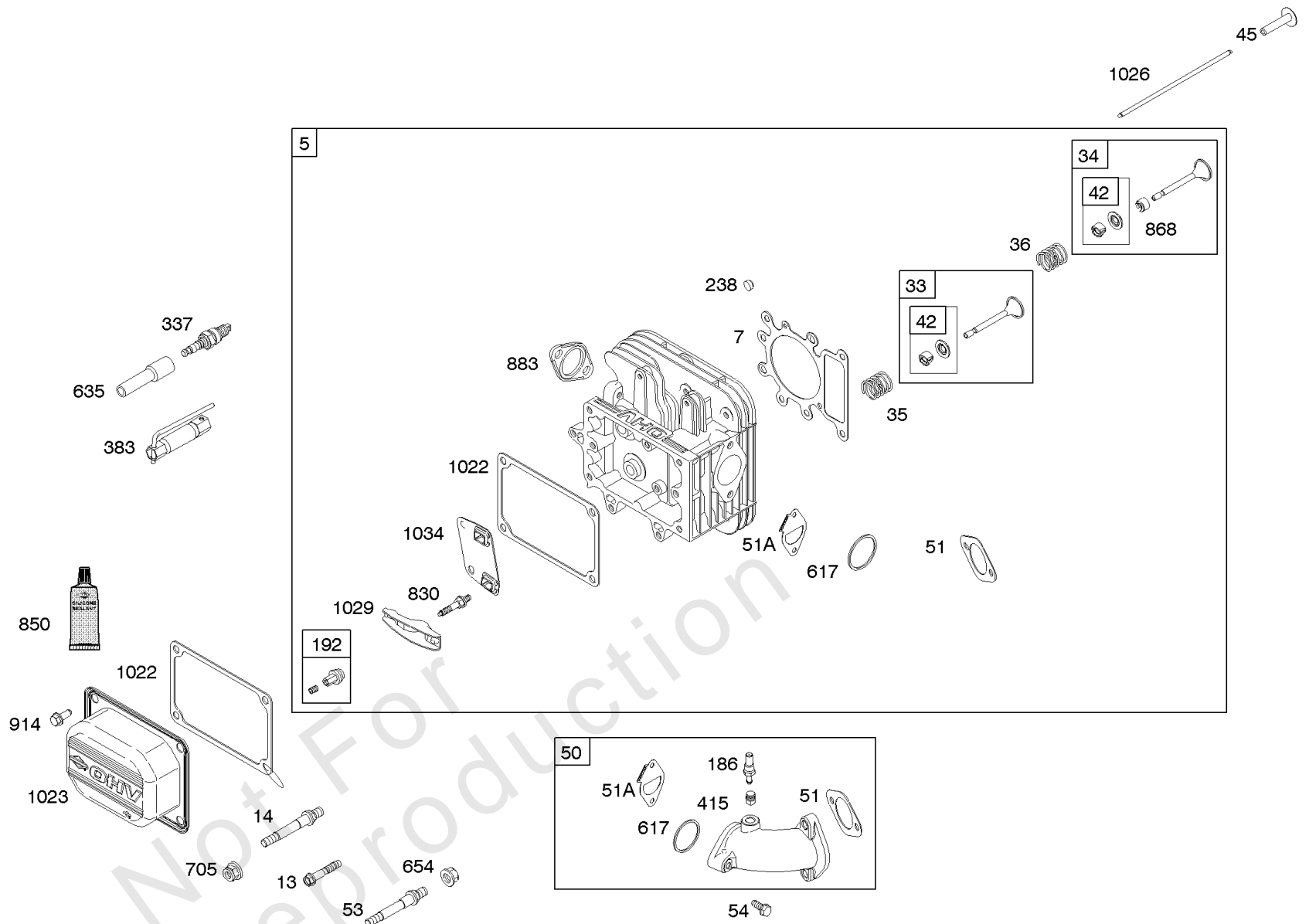


## Controls, Fuel Supply

REF NO	PART NO	QTY	DESCRIPTION
187	791805		LINE, Fuel -(Formed)(10-1/4" Long)(Cut to Required Length)
187B	791766		LINE, Fuel -(15" Long)(Cut to Required Length)
188	691693		SCREW -(Control Bracket)
190	796174		SCREW -(Fuel Tank)
202	691841		LINK, Mechanical Governor
209	792602		SPRING, Governor
216	691840		LINK, Choke
222	694042		BRACKET, Control
227	691374		LEVER, Governor Control
232	691842		SPRING, Governor Link
240	394358S		FILTER, Fuel
265	691024		CLAMP, Casing
267	794904		SCREW -(Casing Clamp)
404	691691		WASHER -(Governor Crank)
505	691251		NUT -(Governor Control Lever)
562	691119		BOLT -(Governor Control Lever)
601	791850		CLAMP, Hose -(Green)
614	691620		PIN, Cotter
616	692012		CRANK, Governor
670	796175		SPACER, Fuel Tank

# Cylinder Head, Gasket Set - Engine, Gasket Set - Valve, Intake Manifold, Valves

Mfg. No: 217707-0390-B1

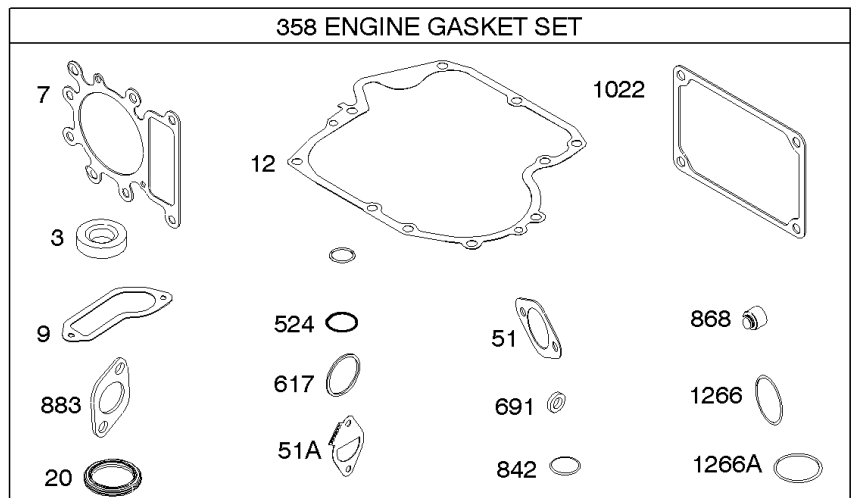
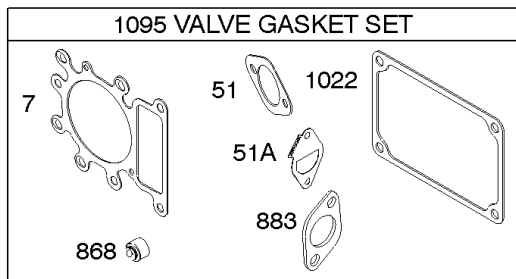
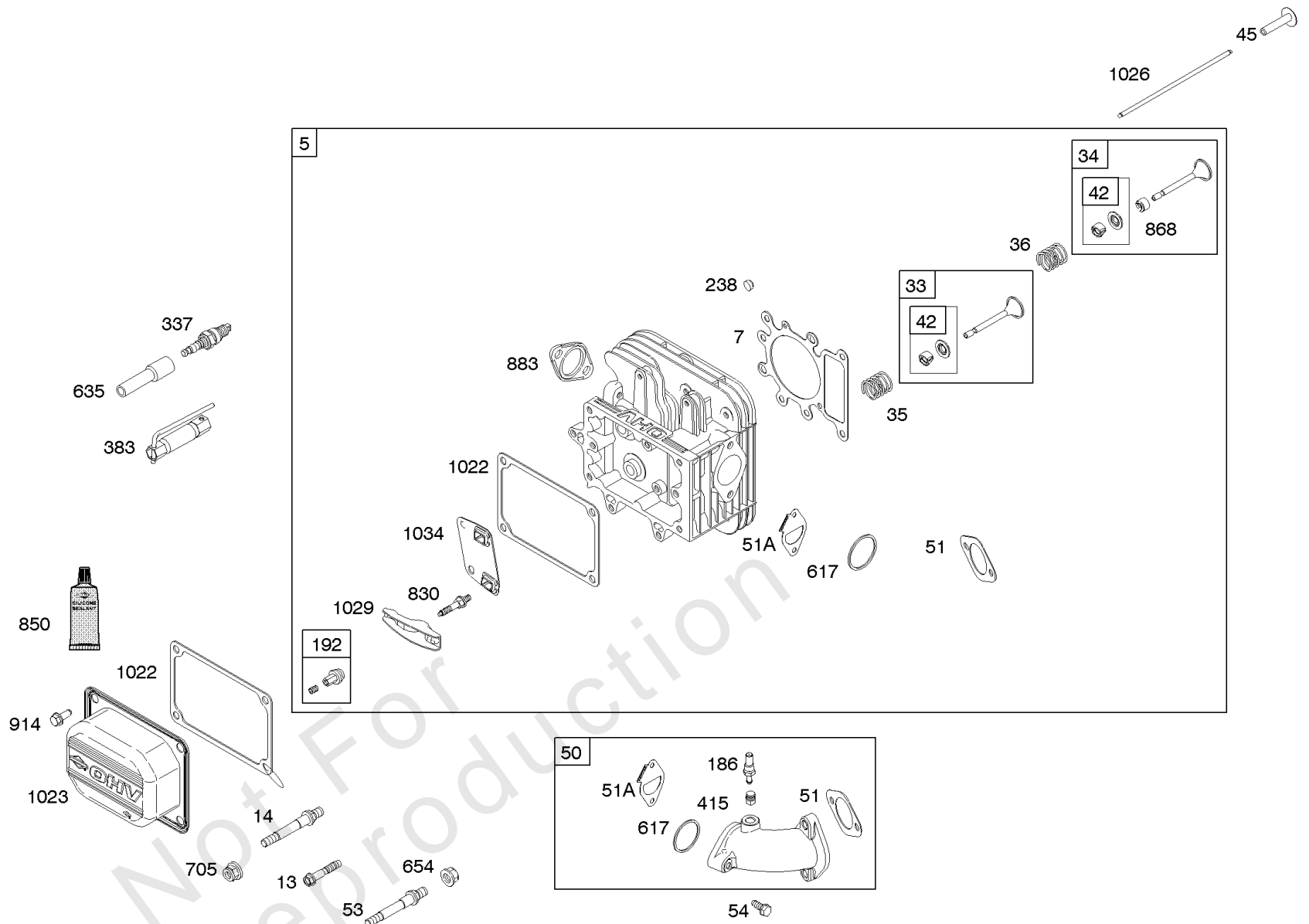


## Cylinder Head, Gasket Set - Engine, Gasket Set - Valve, Intake Manifold, Valves

REF NO	PART NO	QTY	DESCRIPTION
3	391086S		SEAL, Oil -(Magneto Side)
5	796183		HEAD, Cylinder
7	273280S		GASKET, Cylinder Head
9	697109		GASKET, Breather -(After Date Code Use Liquid Sealant Reference 850) -Used Before Code Date 07071900
12	697110		GASKET, Crankcase -(.015" Thick)(Standard)
13	690360		SCREW -(Cylinder Head)
20	795387		SEAL, Oil -(PTO Side)
33	695760		VALVE, Exhaust -Used Before Code Date 06120400
33	792868		VALVE, Exhaust -Used After Code Date 06120300
34	791935		VALVE, Intake
35	691279		SPRING, Valve -(Intake)
36	691279		SPRING, Valve -(Exhaust)
42	499586		KEEPER, Valve
45	690564		TAPPET, Valve
50	796188		MANIFOLD, Intake
51	692137		GASKET-INTAKE
51A	796081		GASKET, Intake
53	690227		STUD -(Carburetor)
54	691148		SCREW -(Intake Manifold)
186	794873		CONNECTOR, Hose
192	691986		ADJUSTER, Rocker Arm
238	691843		CAP, Valve
337	491055S		PLUG, Spark
337	84007216		PLUG, SPARK -(China Only)
358	697151		GASKET SET, Engine
383	89838S		WRENCH-SPARK PLUG
415	794903		PLUG
524	691032		SEAL, O-Ring
617	692138		SEAL, O-Ring -(Intake Manifold)
635	691909		BOOT, Spark Plug
654	690958		NUT -(Carburetor)
691	692407		SEAL, Governor Shaft
705	790561		NUT -(Fuel Tank)
830	691095		STUD, Rocker Arm
842	691031		SEAL, O-Ring -(Dipstick Tube)
850	100100		SEALANT, Liquid -(Rocker Cover Gasket and Breather Gasket) -Used After Code Date 07071800
868	690968		SEAL, Valve
883	692236		GASKET, Exhaust

# Cylinder Head, Gasket Set - Engine, Gasket Set - Valve, Intake Manifold, Valves

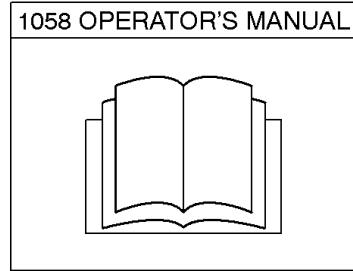
Mfg. No: 217707-0390-B1



## **Cylinder Head, Gasket Set - Engine, Gasket Set - Valve, Intake Manifold, Valves**

REF NO	PART NO	QTY	DESCRIPTION
914	697551		SCREW -(Rocker Cover)
1022	272475S		GASKET, Rocker Cover -(After Date Code Use Liquid Sealant Reference 850) -Used Before Code Date 07091000
1023	791079		COVER, Rocker
1026	697394		ROD, Push -(Intake)
1026	794573		ROD, Push -(Exhaust)
1029	691751		ARM, Rocker
1034	690822		GUIDE, Push Rod
1095	796189		GASKET SET, Valve
1266	691917		SEAL, O-Ring -(Intake Elbow)
1266A	697123		SEAL, O-Ring -(Intake Elbow)

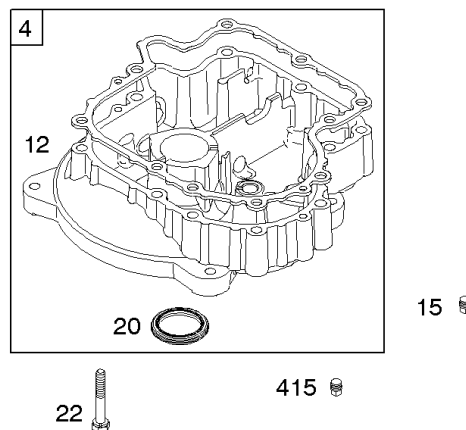
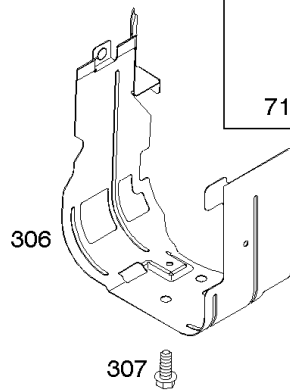
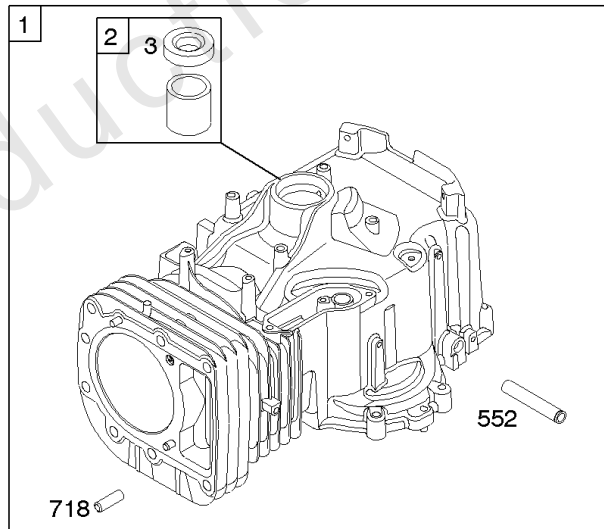
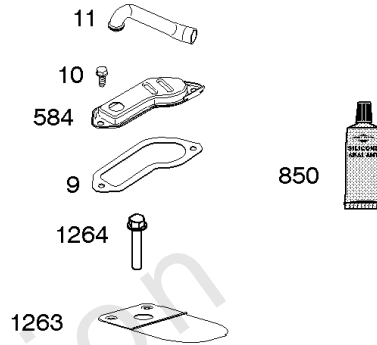
Not For Reproduction



1319 WARNING LABEL

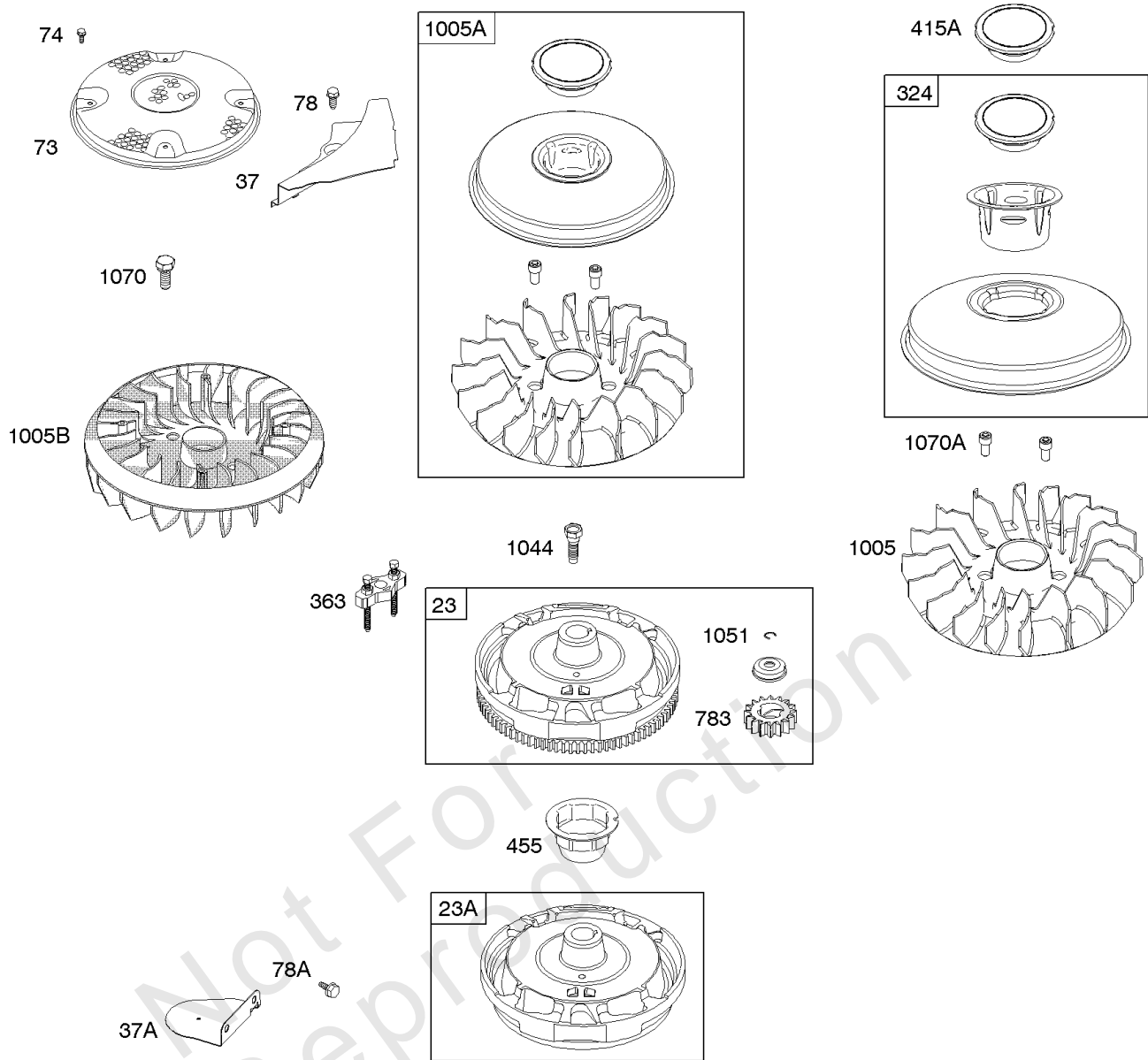
	<b>WARNING</b>
	Read and follow Operating Instructions before running engine.
	Gasoline is flammable. Allow engine to cool at least 2 minutes before refueling.
	Engines emit carbon monoxide, <b>DO NOT</b> run in enclosed area.
	Muffler area temperature may exceed 150°F. Do not touch hot parts.

**REQUIRED** when replacing parts with warning labels affixed.



## Cylinder, Engine Sump, Operator's Manual, Warning Label

REF NO	PART NO	QTY	DESCRIPTION
1	699045		CYLINDER ASSEMBLY -Used Before Code Date 09041600
1	797014		CYLINDER ASSEMBLY -Used After Code Date 09041500
2	399265		KIT, Bushing/Seal -(Magneto Side)
3	391086S		SEAL, Oil -(Magneto Side)
4	697106		SUMP, Engine
9	697109		GASKET, Breather -(After Date Code Use Liquid Sealant Reference 850) -Used Before Code Date 07071900
10	697157		SCREW -(Breather Assembly)
11	794683		TUBE, Breather
12	697110		GASKET, Crankcase -(.015" Thick)(Standard)
15	690946		PLUG, Oil Drain -(3/8" Standard)
20	795387		SEAL, Oil -(PTO Side)
22	692125		SCREW -(Crankcase Cover/Sump)
306	697359		SHIELD, Cylinder
307	691003		SCREW -(Cylinder Shield)
415	794903		PLUG
552	697144		BUSHING, Governor Crank
584	794682		COVER, Breather Passage -(Use with Liquid Sealant Reference 850)
718	690959		PIN, Locating
850	100100		SEALANT, Liquid -(Rocker Cover Gasket and Breather Gasket) -Used After Code Date 07071800
1058	276344TRI		MANUAL, Operator's
1263	697124		REED, Breather
1264	697104		SCREW -(Breather Reed)
1319	794467		LABEL, Warning





## Flywheel

REF NO	PART NO	QTY	DESCRIPTION
23	698281		FLYWHEEL
37	697352		GUARD, Flywheel
73	-----		Screen-Rotating -(No Longer Available)(See Reference 1005A for Service Flywheel Fan) -Used Before Code Date 07040900
74	697897		SCREW -(Rotating Screen)
78	691003		SCREW -(Flywheel Guard)
324	796308		SCREEN/CUP ASSEMBLY -Used After Code Date 07040800
363	19203		PULLER, Flywheel
415A	794129		COVER, Flywheel
783	693713		GEAR, Pinion
1005	796082		FAN, Flywheel -Used After Code Date 07040800
1005A	796200		FAN, Flywheel -Used Before Code Date 07040900
1005B	-----		Fan-Flywheel -(No Longer Available)(See Reference 1005A for Service Flywheel Fan)
1044	698139		SCREW -(Flywheel)
1051	691265		RING, Retaining
1070	690372		SCREW -(Flywheel Fan) -Used Before Code Date 07040900
1070A	690363		SCREW -(Flywheel Fan) -Used After Code Date 07040800 -Used Before Code Date 08061900

## Replacement Engine - US & Canada

REF NO	PART NO	QTY	DESCRIPTION
	2179073025	1	Replacement Engine
	592055	1	Replacement Short Block
	-----		Top No-Load Speed: 3300 -Trim: ALL
	-----		Service Note: Transfer Governor Spring to replacement engine.
	-----		Service Note: If the original engine is equipped with a Six Pin Wiring Harness transfer to the replacement engine.
	-----		Service Note: Transfer Muffler and/or Spark Arrester Assembly from the original engine if suitable for additional service or add new parts as required
	-----		Short Block Note: Engines Built Prior to 07/12/2012 should use short block 697740. Engines built on or after 07/12/2012 should use short block 592055.

Not For Reproduction

