

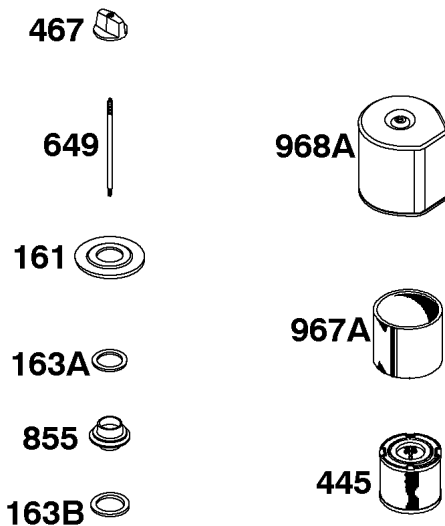
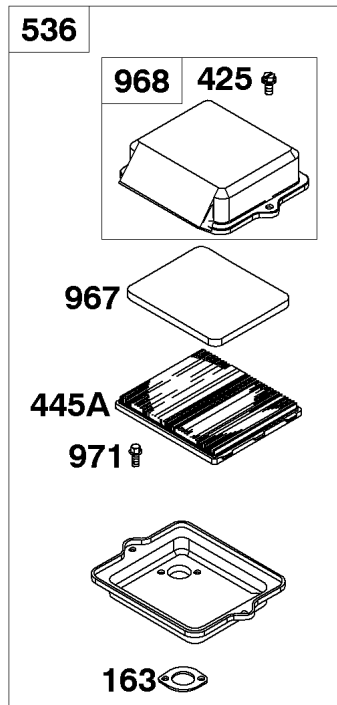


Parts Manual

Mfg. No: 135292-0194-05

Model Components	Page
Air Cleaner Groups.....	4
Blower Housing.....	6
Camshaft.....	8
Carburetor Group.....	10
Carburetor Group 2.....	12
Carburetor Group-Parts.....	14
Controls.....	16
Controls 2.....	18
Crankcase Cover/Sump.....	22
Crankcase Cover/Sump 2.....	24
Crankshaft.....	26
Cylinder Group Type Numbers.....	28
Cylinder Group-Parts.....	30
Electric Starter.....	32
Electrical.....	34
Flywheels, Rotating Screens.....	36
Fuel Tank Group.....	38
Gear Reduction Group/Sno-Gard.....	40
Governor Springs.....	42
Kits/Gasket Sets - Carburetor.....	44
Kits/Gasket Sets - Engine.....	46
Kits/Gasket Sets - Valve.....	48
Muffler Groups.....	50
Muffler Groups 2.....	52
Oil Group.....	54
Piston/Rings/Connecting Rod.....	56
Replacement Engine - US & Canada.....	58
Rewind Group.....	59
Rewind Group 2.....	61
Valve Group.....	63

135200 to 135299



REF. NO.	PART NO.	DESCRIPTION	REF. NO.	PART NO.	DESCRIPTION	REF. NO.	PART NO.	DESCRIPTION
161	691735	Base-Air Cleaner	467	691668	Knob-Air Cleaner	967	491435	Filter-Pre Cleaner (Rectangular)
163	271935s	Air Cleaner Gasket (Standard, Oval)	536	494279	Cleaner-Air (Rectangular)	967A	271466	Filter-Pre Cleaner (Round)
163A	271139s	Air Cleaner Gasket (1 5/8" O.D. Round)	649	231332	Stud (Air Cleaner Cover, 1/4" Diameter)	968	692321	Cover-Air Cleaner (Rectangular)
163B	690580	Air Cleaner Gasket (1 15/16" O.D. Round)	----- Note -----			968A	493822	Cover-Air Cleaner (Canister)
425	694515	Screw (Air Cleaner Cover)		691248	Stud (Air Cleaner Cover, 1/2" Diameter)	971	690370	Screw (Air Cleaner Base)
445	396424	Filter-Air Cleaner Cartridge (Canister)			Used on Type No(s). 0185, 0263, 1263.			
445A	491588	Filter-Air Cleaner Cartridge (Rectangular)	855	690599	Adapter-Air Cleaner			

Engine Gasket Set-Reference 358
Carburetor Overhaul Kit-Reference 121

Valve Gasket Set-Reference 1095

2810-18

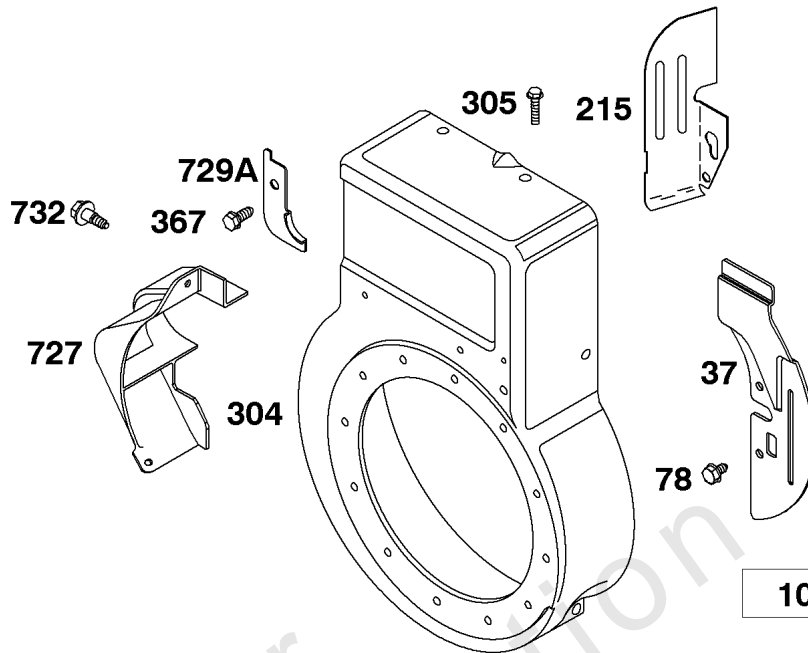
Assemblies include all parts shown in frames.

04/12/2012

Air Cleaner Groups

REF NO	PART NO	QTY	DESCRIPTION
161	691735		BASE, Air Cleaner
163	271935S		GASKET, Air Cleaner -(Standard)(Oval)
163A	271139S		GASKET, Air Cleaner -(1 5/8 Outside Diameter)
163B	690580		GASKET, Air Cleaner -(1 15/16 Outside Diameter)
425	694515		SCREW -(Air Cleaner Cover)
445	396424S		FILTER, A/C Cartridge -(Canister)
445A	491588S		FILTER, A/C Cartridge -(Rectangular)
467	691668		KNOB, Air Cleaner Cover
536	494279		CLEANER-AIR -(Rectangular)
649	231332		STUD -(Air Cleaner Cover)
855	690599		ADAPTER, Air Cleaner
967	491435S		FILTER, Pre Cleaner -(Rectangular)
967A	271466		FILTER, Pre Cleaner -(Round)
968	794784		COVER, Air Cleaner
968A	493822		COVER, Air Cleaner
971	690370		SCREW -(Air Cleaner Base to Carburetor/Throttle Body)

135200 to 135299



REF. NO.	PART NO.	DESCRIPTION	REF. NO.	PART NO.	DESCRIPTION	REF. NO.	PART NO.	DESCRIPTION
37	691732	Guard-Flywheel	305	692198	Screw (Blower Housing)	729A	690471	Clip-Wire (Steel)
78	691660	Screw (Flywheel Guard)	367	691660	Screw (Wire Clip)	732	691097	Screw (Starter Drive Cover)
215	691745	Guide-Air (Rewind Start)	727	690600	Cover-Starter Drive	1036		Label-Emission (Available from A Briggs & Stratton Authorized Dealer)
		----- Note -----						
		690472 Guide-Air (Electric Start)						
304	495759	Housing-Blower						

Engine Gasket Set-Reference 358
Carburetor Overhaul Kit-Reference 121

Valve Gasket Set-Reference 1095

2810-22

Assemblies include all parts shown in frames.

04/12/2012

Blower Housing

REF NO	PART NO	QTY	DESCRIPTION
37	691732		GUARD-FLYWHEEL
78	691660		SCREW -(Flywheel Guard)
215	690472		GUIDE, Air
215	691745		GUIDE-AIR -(Rewind Starter)
304	495759		HOUSING-BLOWER
305	692198		SCREW -(Blower Housing)
367	691660		SCREW -(Wire Clip)
727	690600		COVER, Starter Drive
729A	690471		CLIP, Wire
732	691097		SCREW -(Starter Drive Cover)
1036	-----		Label-Emissions -(Available From A Briggs & Stratton Authorized Dealer)

Not For Reproduction

135200 to 135299



REF. NO.	PART NO.	DESCRIPTION	REF. NO.	PART NO.	DESCRIPTION	REF. NO.	PART NO.	DESCRIPTION	
46	691164	Camshaft (Used After Code Date 96112400). ----- Note ----- 691166 Camshaft (Used After Code Date 96112400). Used on Type No(s). 0173, 0214, 0309, 0611, 0670, 0671, 0728, 0757, 0758, 0780, 1011, 1070, 1071, 1128, 1154, 1157, 1158, 1169, 1180, 1194, 1232, 1261, 1265, 1309, 1310, 1320, 1324, 1336, 1337, 1338, 1343.			691166 Camshaft (Used Before Code Date 96112500). Used on Type No(s). 0070, 0071, 0108, 0120, 0121, 0124, 0141, 0154, 0157, 0158, 0169, 0174, 0180, 0182, 0194, 0198, 0202, 0203, 0204, 0205, 0206, 0207, 0209, 0216, 0232, 0236, 0254, 0260, 0265, 0269, 0295, 0309, 0310, 0320, 0322, 0324, 0611, 0670, 0671, 0757, 0758, 0780. 692526 Camshaft (Used Before Code Date 96112500). Used on Type No(s). 0173, 0214.		219	494845	Gear-Governor ----- Note ----- 391737 Gear-Governor (Used Before Code Date 91061000).
						220	691724	Washer (Governor Gear)	

Engine Gasket Set-Reference 358
Carburetor Overhaul Kit-Reference 121

Valve Gasket Set-Reference 1095

2810-9

Assemblies include all parts shown in frames.

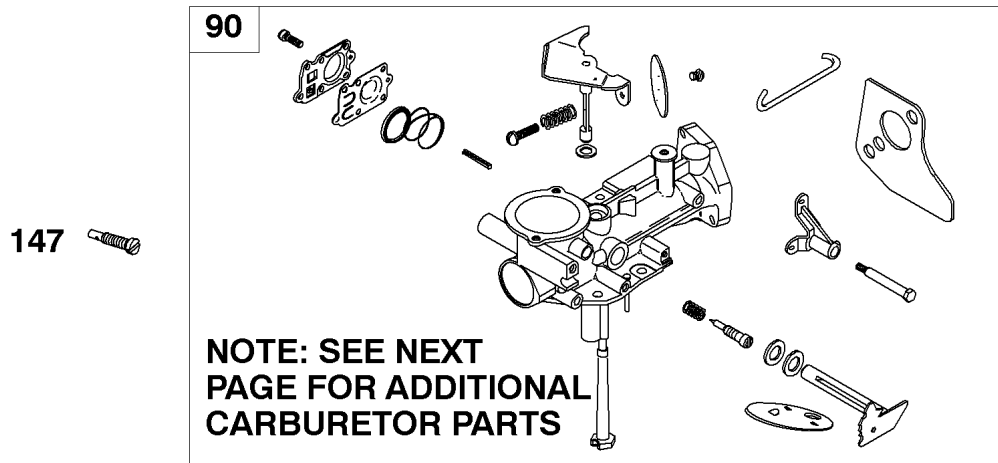
04/12/2012

Camshaft

REF NO	PART NO	QTY	DESCRIPTION
46	691166		CAMSHAFT -Used Before Code Date 96112500
219	391737		GEAR, Governor -Used Before Code Date 91061000
219	494845		GEAR, Governor -Used After Code Date 91060900
220	691724		WASHER -(Governor Gear)

Not For Reproduction

135200 to 135299



REF. NO.	PART NO.	DESCRIPTION	REF. NO.	PART NO.	DESCRIPTION	REF. NO.	PART NO.	DESCRIPTION
90	498298	Carburetor ----- Note ----- 495951 Carburetor Used on Type No(s). 0185, 0263. 495425 Carburetor Used on Type No(s). 0214. 498298 Carburetor Used on Type No(s). 0309, 0603, 0607, 0611, 0615, 0616, 0620, 0623, 0625, 0626, 0635, 0636, 0638, 0649, 0660, 0670, 0671, 0679, 0700, 0702, 0704, 0717, 0706, 0727, 0728, 0729, 0730, 0740, 0747, 0752, 0757, 0758, 0759, 0762, 0767, 0772, 0779, 0780, 0784, 0788, 0790, 0814, 0815, 0913, 1003, 1004, 1005, 1007, 1008, 1009, 1011, 1019, 1020, 1023, 1025, 1027, 1029, 1035, 1036, 1049, 1050, 1060, 1070, 1071, 1073, 1079, 1080, 1084, 1105, 1106, 1119, 1127, 1128, 1129, 1139, 1140, 1142, 1143, 1146, 1147, 1153, 1154, 1157, 1158,			1159, 1161, 1167, 1169, 1171, 1173, 1179, 1180, 1190, 1194, 1196, 1197, 1200, 1215, 1216, 1217, 1219, 1223, 1231, 1232, 1238, 1242, 1245, 1246, 1250, 1258, 1259, 1261, 1268, 1271, 1276, 1281, 1283, 1284, 1288, 1289, 1289, 1299, 1301, 1304, 1308, 1310, 1313, 1314, 1315, 1317, 1318, 1320, 1324, 1326, 1328, 1329, 1330, 1333, 1336, 1337, 1338, 1340, 1342, 1343, 1345.			0788, 0790, 0814, 0815, 0913, 1003, 1004, 1005, 1007, 1008, 1009, 1011, 1019, 1020, 1023, 1025, 1027, 1029, 1035, 1036, 1049, 1050, 1060, 1070, 1071, 1073, 1079, 1080, 1084, 1105, 1106, 1119, 1127, 1128, 1129, 1139, 1140, 1142, 1143, 1146, 1147, 1153, 1154, 1157, 1158,
			147	691250	Jet-Pilot (Standard) Used on Type No(s). 0309, 0603, 0607, 0611, 0615, 0616, 0620, 0623, 0625, 0626, 0635, 0636, 0638, 0649, 0660, 0670, 0671, 0679, 0700, 0702, 0704, 0717, 0706, 0727, 0728, 0729, 0730, 0740, 0747, 0752, 0757, 0758, 0759, 0762, 0767, 0772, 0779, 0780, 0784,			1217, 1219, 1223, 1231, 1232, 1238, 1242, 1245, 1246, 1250, 1258, 1259, 1261, 1268, 1271, 1276, 1281, 1283, 1284, 1288, 1289, 1289, 1299, 1301, 1304, 1308, 1313, 1314, 1315, 1317, 1318, 1320, 1324, 1326, 1328, 1329, 1330, 1333, 1336, 1337, 1338, 1340, 1342, 1343. 692725 Jet-Pilot (High Altitude)

Engine Gasket Set-Reference 358
Carburetor Overhaul Kit-Reference 121

Valve Gasket Set-Reference 1095

2810-10

Assemblies include all parts shown in frames.

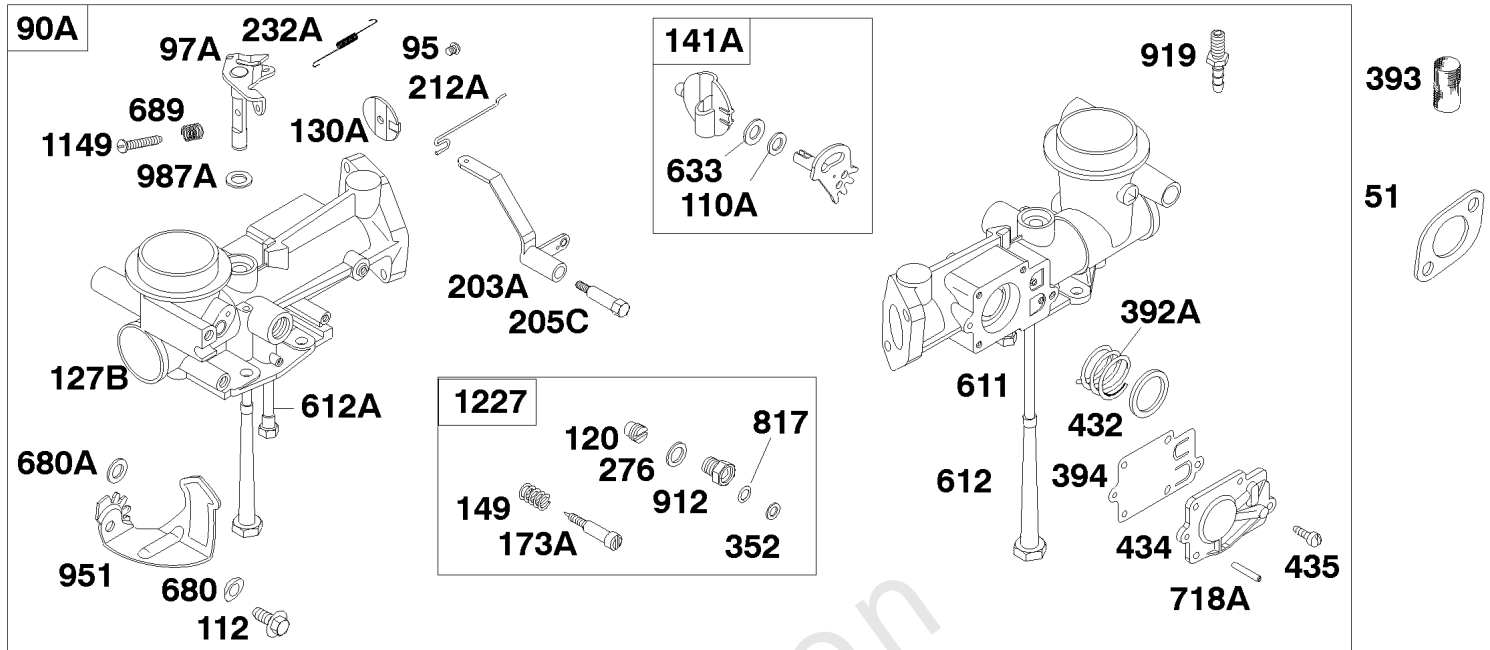
04/12/2012

Carburetor Group

REF NO	PART NO	QTY	DESCRIPTION
90	498298		CARBURETOR
147	692725		JET, Pilot

Not For Reproduction

135200 to 135299



REF. NO.	PART NO.	DESCRIPTION	REF. NO.	PART NO.	DESCRIPTION	REF. NO.	PART NO.	DESCRIPTION
51	27355	Gasket-Intake Used on Type No(s). 0299, 1101, 1012, 1309.	205C	691630	Screw (Steel, Long)	680	691089	Washer (Felt) (Choke Shaft)
90A	397135	Carburetor Used on Type No(s). 1011, 1012. ----- Note ----- 299437 Carburetor Used on Type No(s). 0299. 498298 Carburetor Used on Type No(s). 1309.	212A	691786	Link-Throttle (Bell Crank)	680A	691607	Washer (Choke Lever) (Spring)
95	691437	Screw (Throttle Valve)	232A	690498	Spring-Governor Link Used on Type No(s). 0299, 1101, 1012, 1309.	689	691783	Spring-Friction (6 Coil, Closed Ends, Idle Screw)
97A	691946	Shaft-Throttle Used on Type No(s). 0299, 1101, 1012, 1309.	276	691608	Washer-Sealing	718A	690296	Pin-Locating (Pump Cover)
110A	690401	Washer (Choke Shaft) (Brass)	352	690257	Washer (High Speed Valve)	817	691606	Seal-O Ring (High Speed Valve)
112	691091	Screw (Choke Lever)	392A	692206	Spring-Pump Diaphragm	912	690504	Nut-Needle Valve
120	692134	Seat-Needle Valve	393	691213	Screen-Carburetor	919	692783	Connector-Vacuum Tube
127B	691585	Plug-Welch	394	272538	Diaphragm-Carburetor (Pump)	951	691180	Lever-Choke
130A	211203	Valve-Throttle	432	690766	Cap-Spring	987A	692279	Seal-Throttle Shaft (Felt) ----- Note ----- 270167 Seal-Throttle Shaft (Felt) Used on Type No(s). 0299.
141A	397134	Kit-Choke Shaft	434	691713	Cover-Diaphragm	1149	691624	Screw (Throttle Shaft) (Idle Speed Adjusting Only)
149	691592	Spring-Needle Valve	435	691619	Screw (Diaphragm Cover)	1227	299060	Valve-High Speed
173A	690266	Valve-Idle Mixture (Main)	611	691770	Pipe-Fuel			
203A	691965	Crank-Bell	612	391813	Tube-Pick Up (Uses Clip Spring)			
			612A	497413	Tube-Pick Up (Uses Spiral Pin)			
			633	691869	Seal-Choke/Throttle Shaft			

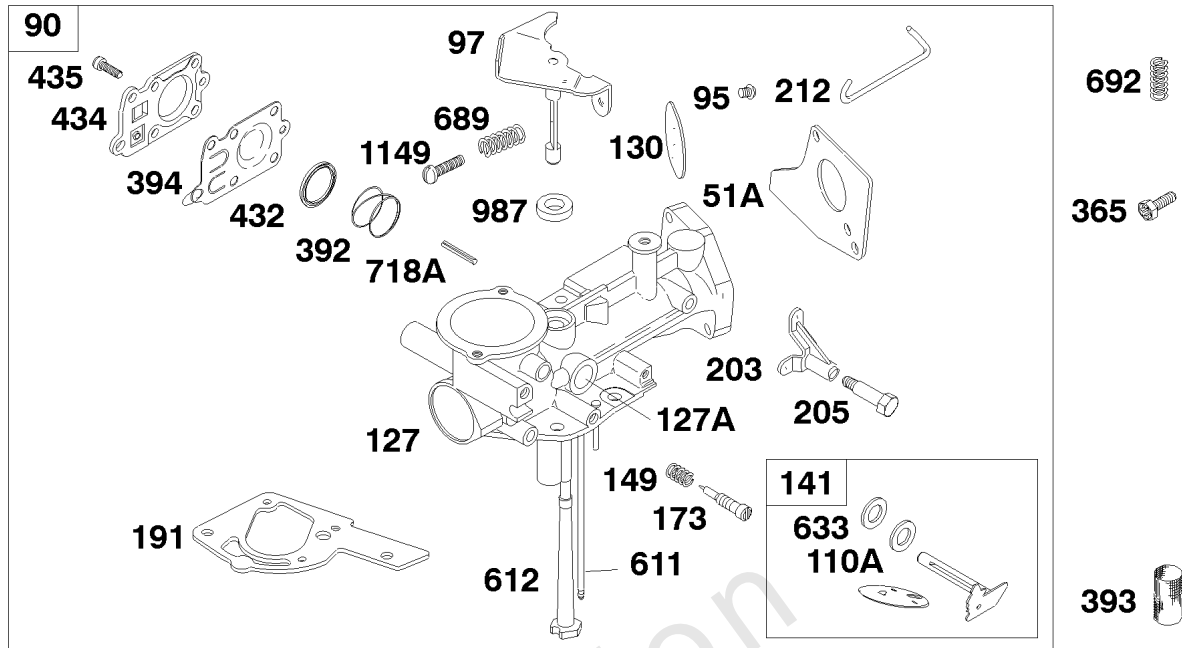
Engine Gasket Set-Reference 358
Carburetor Overhaul Kit-Reference 121

Valve Gasket Set-Reference 1095

Carburetor Group 2

REF NO	PART NO	QTY	DESCRIPTION
51	273113S		GASKET, Intake
95	691437		SCREW -(Throttle Valve)
110A	690401		WASHER -(Choke Shaft) (Brass)
112	691091		SCREW -(Choke Lever)
120	692134		SEAT-NEEDLE VALVE
127B	691585		PLUG-WELCH
130A	211203		VALVE, THROTTLE
141A	397134		KIT, Choke Shaft
149	691592		SPRING-NEEDLE VALVE
173A	690266		VALVE-IDLE MIXTURE -(Main)
203A	691965		CRANK, Bell -(Steel)()
203A	691744		CRANK, Bell -(Steel)
205C	691630		SCREW -(Bell Crank)
232A	690498		SPRING-GOVERNOR LINK
276	691608		WASHER-SEALING
352	690257		WASHER -(High Speed Valve)
393	691213		SCREEN, Carburetor
394	272538S		DIAPHRAGM, Carburetor
432	690766		CAP-SPRING
434	691713		COVER-DIAPHRAGM
435	691619		SCREW -(Diaphragm Cover)
611	691770		PIPE-FUEL
612	391813		TUBE-PICK UP -(Uses Spring Clip)
612A	497413S		TUBE-PICK UP -(Uses Spiral Pin)(1/4)
633	691869		SEAL, Choke/Throttle Shaft
680	691089		WASHER -(Choke Lever) (Spring)
680A	691607		WASHER -(Choke Lever) (Flat Washer)
689	691783		SPRING-FRICTION -(Idle Speed Adjusting Only)
718A	690296		PIN-LOCATING -(Pump Cover)
817	691606		SEAL-O RING -(High Speed Valve)
912	690504		NUT-NEEDLE VALVE
919	692783		CONNECTOR, Vacuum Tube
951	690436		LEVER, Choke
951	691180		LEVER, Choke
987A	692279		SEAL-THROTTLE SHAFT -(Felt)(5/8)
1149	691624		SCREW -(Throttle Shaft) (Idle Speed Adjusting Only)
1227	299060		VALVE, High Speed -(Threaded)

135200 to 135299



REF. NO.	PART NO.	DESCRIPTION	REF. NO.	PART NO.	DESCRIPTION	REF. NO.	PART NO.	DESCRIPTION
51A	273113	Gasket-Intake	191	692241	Gasket-Fuel Tank	633	691869	Seal-Choke/Throttle Shaft
90		Carburetor (See Previous Page)	203	691906	Crank-Bell (Standard, Nylon)			Shaft (Choke Shaft) (Felt)
95	691437	Screw (Throttle Valve)	205	691776	Screw (Bell Crank)	689	691783	Spring-Friction (Idle Screw)
97	692325	Shaft-Throttle	212	691812	Link-Throttle	692	690572	Spring-Detent (Used On Part 498298 Carburetor)
110A	690401	Washer (Choke Shaft) (Brass)	365	690953	Screw (Carburetor)	718A	690296	Pin-Locating (Pump Cover)
127	691718	Plug-Welch	392	691823	Spring-Pump Diaphragm	987	695273	Seal-Throttle Shaft (Foam)
127A	691742	Plug-Welch	393	691213	Screen-Carburetor	1149	691624	Screw (Throttle Shaft) (Idle Speed Adjusting Only)
130	691743	Valve-Throttle	394	272538	Diaphragm-Carburetor			
141	497230	Kit-Choke Shaft (Used After Code Date 94083100). ----- Note ----- 491177 Kit-Choke Shaft (Used Before Code Date 94090100).	432	690766	Cap-Spring			
149	691592	Spring-Needle Valve	434	691713	Cover-Diaphragm			
173	691777	Valve-Idle Mixture (Idle)	435	691619	Screw (Diaphragm Cover)			
			611	691770	Pipe-Fuel			
			612	391813	Tube-Pick Up (Uses Clip Spring) ----- Note ----- 297219 Tube-Pick Up (Uses Spiral Pin) Used on Type No(s). 0214.			

Engine Gasket Set-Reference 358
Carburetor Overhaul Kit-Reference 121

Valve Gasket Set-Reference 1095

2810-11

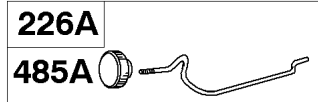
Assemblies include all parts shown in frames.

04/12/2012

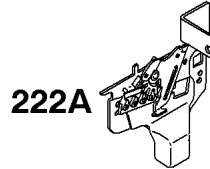
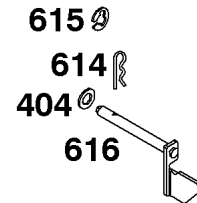
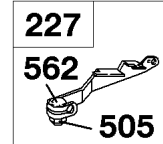
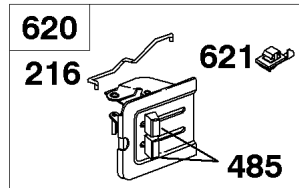
Carburetor Group-Parts

REF NO	PART NO	QTY	DESCRIPTION
90	498298		CARBURETOR
95	691437		SCREW -(Throttle Valve)
97	692325		SHAFT-THROTTLE
110A	690401		WASHER -(Choke Shaft) (Brass)
127	691718		PLUG, Welch
127A	691742		PLUG, Welch
130	691743		VALVE, Throttle
141	497230		KIT, Choke Shaft -Used After Code Date 94083100
149	691592		SPRING-NEEDLE VALVE
173	691777		VALVE, Idle Mixture
191	692241		GASKET, Fuel Tank
203	691906		CRANK, Bell -(Standard)(Nylon)
205	691776		SCREW -(Bell Crank)
212	691812		LINK, Throttle
365	690953		SCREW -(Carburetor/Throttle Body)
392	691823		SPRING, Pump Diaphragm
393	691213		SCREEN, Carburetor
394	272538S		DIAPHRAGM, Carburetor
432	690766		CAP-SPRING
434	691713		COVER-DIAPHRAGM
435	691619		SCREW -(Diaphragm Cover)
611	691770		PIPE-FUEL
612	391813		TUBE-PICK UP -(Uses Spring Clip)
633	691869		SEAL, Choke/Throttle Shaft
689	691783		SPRING-FRICTION -(Idle Speed Adjusting Only)
692	690572		SPRING, Detent -(Used On Part 498298 Carburetor)
718A	690296		PIN-LOCATING -(Pump Cover)
987	695273		SEAL, Choke/Throttle Shaft -(Foam)
1149	691624		SCREW -(Throttle Shaft) (Idle Speed Adjusting Only)

135200 to 135299



- 688
- 689A
- 1197
- 729A
- 367



REF. NO.	PART NO.	DESCRIPTION	REF. NO.	PART NO.	DESCRIPTION	REF. NO.	PART NO.	DESCRIPTION
216	691824	Link-Choke (Manual)	404	691691	Washer (Governor Crank)	614	691620	Pin-Cotter
222A	690816	Bracket-Control (Gear and Rack) Used on Type No(s). 0214.	485	692295	Knob-Control (Slide)	615	93307	Retainer-E Ring
226A	399109	Rod-Hand Choke (Rod Assembly)	485A	391908	Knob-Control	616	692016	Crank-Governor
227	690653	Lever-Governor Control	505	691251	Nut (Governor Control Lever)	620	490649	Bracket-Control (Panel)
		----- Note -----	562	691119	Bolt (Governor Control Lever) (Round)	621	692310	Switch-Stop
		692357 Lever-Governor Control Used on Type No(s). 0299, 1011, 1012.				688	690395	Cap-Friction
367	94025	Screw (Wire Clip)				689A	690529	Spring-Friction (Conical Spring, Hand Choke Control)
						729A	93784	Clip-Wire (Clamp, Steel)
						1197	92484	Screw (Hand Choke Rod)

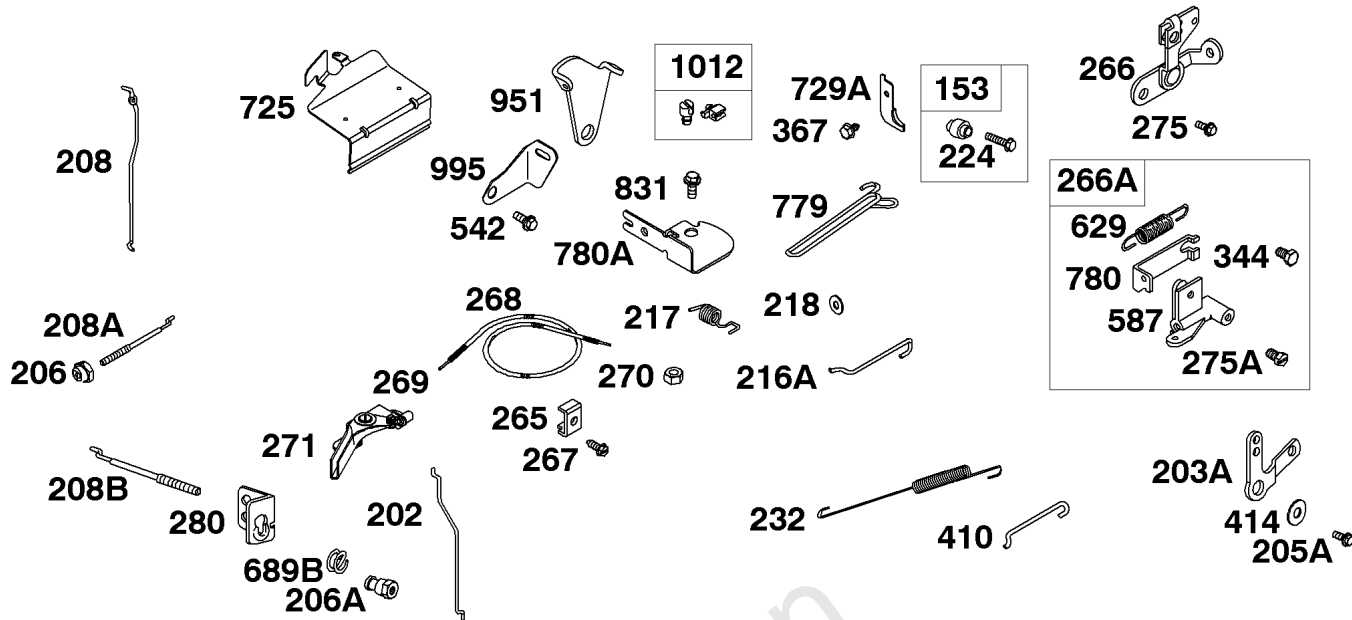
Engine Gasket Set-Reference 358
Carburetor Overhaul Kit-Reference 121

Valve Gasket Set-Reference 1095

Controls

REF NO	PART NO	QTY	DESCRIPTION
216	691824		LINK, Choke -(Manual)
226A	399109		ROD, Choke -(Rod Assembly)
227	690653		LEVER, Governor Control
367	691660		SCREW -(Wire Clip)
404	691691		WASHER -(Governor Crank)
485	692295		KNOB, Air Cleaner Cover -(Slide)
485A	391908		KNOB, Air Cleaner Cover -(Round)
505	691251		NUT -(Governor Control Lever)
562	691119		BOLT -(Governor Control Lever)
614	691620		PIN, Cotter
615	93307		RETAINER, Governor Shaft
616	692016		CRANK-GOVERNOR
620	490649		BRACKET, Control
621	692310		SWITCH, Stop
688	690395		CAP, Friction
689A	690529		SPRING, Friction -(Hand Choke Control)
729A	690471		CLIP, Wire
1197	92484		SCREW -(Hand Choke Rod)

135200 to 135299



REF. NO.	PART NO.	DESCRIPTION	REF. NO.	PART NO.	DESCRIPTION	REF. NO.	PART NO.	DESCRIPTION
153	490589	Kit-Collar/Screw	218	691722	Washer	367	691660	Screw
202	691814	Link-Mechanical Governor	224	690320	Screw	410	691274	Link-Control
		----- Note -----			(Collar/Screw Kit)	414	691721	Washer
		261558 Link-Mechanical Governor	232	691819	Spring-Governor Link	542	691683	Screw
		Used on Type No(s). 0299, 1011, 1012.	265	691024	Clamp-Casing	587	690769	Clamp-Cable
203A	691744	Crank-Bell (Steel)	266	691414	Control-Throttle (Remote/Governor Idle)	629	690457	Spring-Throttle Return
205A	690320	Screw (Bell Crank)	266A	692316	Control-Throttle (Kit with Spring)	689B	692522	Spring-Friction (4 Coil, Closed Ends)
206	690325	Nut-Governor Adjusting (Governor Idle)	267	690804	Screw (Casing Clamp)	725	690440	Shield-Heat (Fuel Tank)
206A	691771	Nut-Governor Adjusting (Fixed Speed)	268	691025	Casing-Control Wire (Cut To Required Length)	729A	690471	Clip-Wire (Steel)
208	691813	Rod-Governor Control (Non Threaded)	269	691026	Wire-Control (Cut To Required Length)	779	691828	Link-Bell Crank
208A	691820	Rod-Governor Control (Threaded) (Governor Idle Speed)	270	691027	Nut (Control Wire Casing)	780	690594	Anchor-Spring (Throttle Control)
208B	691821	Rod-Governor Control (Fixed Speed)	271	691028	Lever-Control	780A	691211	Anchor-Spring (Governor Idle)
216A	691271	Link-Choke (Choke A Matic)	275	691683	Screw (Throttle Control)	831	691683	Screw (Spring Anchor)
217	691815	Spring-Choke Return	275A	691646	Screw (Throttle Control)	951	690436	Lever-Choke (Choke A Matic)
			280	691184	Bracket-Rod	995	691756	Bracket-Link
			344	691645	Screw (Cable Clamp)	1012	490507	Retainer-Link

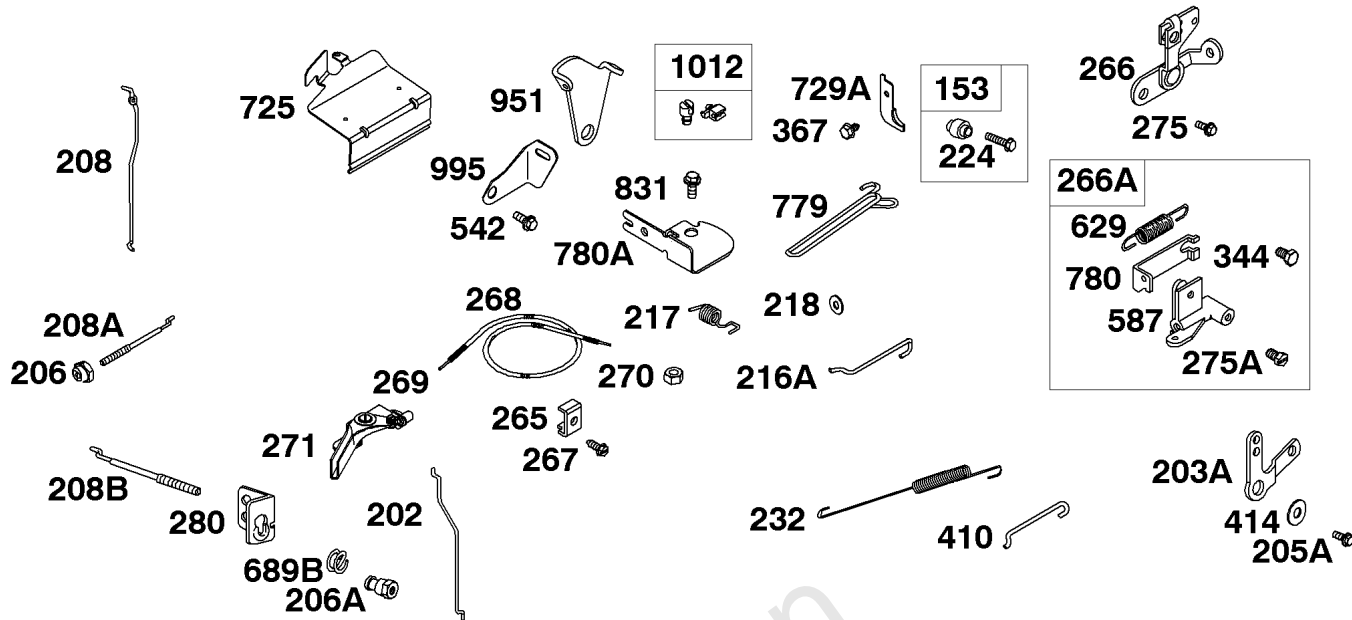
Engine Gasket Set-Reference 358
Carburetor Overhaul Kit-Reference 121

Valve Gasket Set-Reference 1095

Controls 2

REF NO	PART NO	QTY	DESCRIPTION
153	490589		SCREW -(Carburetor)
202	691814		LINK, Mechanical Governor
203A	691965		CRANK, Bell -(Steel)()
203A	691744		CRANK, Bell -(Steel)
205A	691683		SCREW -(Bell Crank) (Standard)(Nylon)
206	690325		NUT, Governor Adjusting -(Governor Idle)
206A	691771		NUT, Governor Adjusting -(Fixed Speed)
208	691813		ROD, Governor Control -(Non Threaded)
208A	691820		ROD, Governor Control
208B	691821		ROD, Governor Control -(Fixed Speed)
216A	691271		LINK, Choke -(Choke A Matic)
217	691815		SPRING, Choke Return
218	691722		WASHER -(Choke Link)
224	690320		SCREW -(Collar/Screw Kit)
232	691819		SPRING/LINK, Governor
265	691024		CLAMP, Casing
266	691414		CONTROL, Throttle -(Remote Governor/Idle)
267	690804		SCREW -(Casing Clamp)
268	691025		CASING, Control Wire -(Cut To Required Length)
269	691026		WIRE, Control -(Cut To Required Length)
270	691027		NUT -(Control Wire Casing)
271	691028		LEVER, Control
275	691683		SCREW -(Throttle Control)
275A	691646		SCREW -(Throttle Control)
280	691184		BRACKET, Rod
344	691645		SCREW -(Cable Clamp)
367	691660		SCREW -(Wire Clip)
410	691274		LINK, Control
414	691721		WASHER -(Bell Crank)
542	691683		SCREW -(Link Bracket)
587	690769		CLAMP, Cable
629	690457		SPRING, Throttle Return -(Throttle Return)
689B	692522		SPRING, Friction -(Governor Control Rod)
725	690440		SHIELD, Heat -(Fuel Tank)

135200 to 135299



REF. NO.	PART NO.	DESCRIPTION	REF. NO.	PART NO.	DESCRIPTION	REF. NO.	PART NO.	DESCRIPTION
153	490589	Kit-Collar/Screw	218	691722	Washer (Choke Link)	367	691660	Screw (Wire Clip)
202	691814	Link-Mechanical Governor	224	690320	Screw (Collar/Screw Kit)	410	691274	Link-Control
		----- Note -----	232	691819	Spring-Governor Link	414	691721	Washer (Bell Crank)
		261558 Link-Mechanical Governor	265	691024	Clamp-Casing	542	691683	Screw (Link Bracket)
		Used on Type No(s). 0299, 1011, 1012.	266	691414	Control-Throttle (Remote/Governor Idle)	587	690769	Clamp-Cable
203A	691744	Crank-Bell (Steel)	266A	692316	Control-Throttle (Kit with Spring)	629	690457	Spring-Throttle Return
205A	690320	Screw (Bell Crank)	267	690804	Screw (Casing Clamp)	689B	692522	Spring-Friction (4 Coil, Closed Ends)
206	690325	Nut-Governor Adjusting (Governor Idle)	268	691025	Casing-Control Wire (Cut To Required Length)	725	690440	Shield-Heat (Fuel Tank)
206A	691771	Nut-Governor Adjusting (Fixed Speed)	269	691026	Wire-Control (Cut To Required Length)	729A	690471	Clip-Wire (Steel)
208	691813	Rod-Governor Control (Non Threaded)	270	691027	Nut (Control Wire Casing)	779	691828	Link-Bell Crank
208A	691820	Rod-Governor Control (Threaded) (Governor Idle Speed)	271	691028	Lever-Control	780	690594	Anchor-Spring (Throttle Control)
208B	691821	Rod-Governor Control (Fixed Speed)	275	691683	Screw (Throttle Control)	780A	691211	Anchor-Spring (Governor Idle)
216A	691271	Link-Choke (Choke A Matic)	275A	691646	Screw (Throttle Control)	831	691683	Screw (Spring Anchor)
217	691815	Spring-Choke Return	280	691184	Bracket-Rod	951	690436	Lever-Choke (Choke A Matic)
			344	691645	Screw (Cable Clamp)	995	691756	Bracket-Link
						1012	490507	Retainer-Link

Engine Gasket Set-Reference 358
Carburetor Overhaul Kit-Reference 121

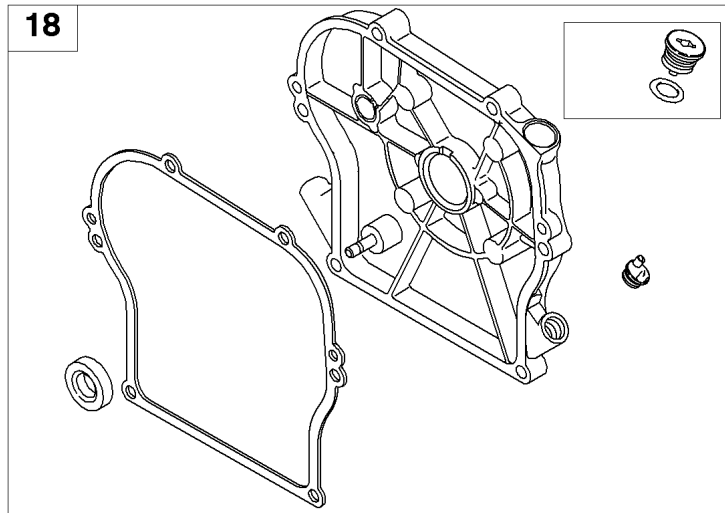
Valve Gasket Set-Reference 1095

Controls 2

REF NO	PART NO	QTY	DESCRIPTION
729A	690471		CLIP, Wire
779	691828		LINK, Bell Crank
780A	691211		ANCHOR, Spring -(Governor Idle)
831	691683		SCREW -(Spring Anchor)
951	690436		LEVER, Choke
951	691180		LEVER, Choke
995	691756		BRACKET, Link
1012	490507		RETAINER, Link
1303	690594		CLAMP, Speed Control -(Throttle Control)

Not For Reproduction

135200 to 135299



REF. NO.	PART NO.	DESCRIPTION	REF. NO.	PART NO.	DESCRIPTION	REF. NO.	PART NO.	DESCRIPTION
18	694377	Cover-Crankcase (Gear Reduction) ----- Note ----- 694375 Cover-Crankcase (Auxillary PTO)		694350	Cover-Crankcase (Plain Bearing)		694319	Cover-Crankcase (Ball Bearing)

Engine Gasket Set-Reference 358
Carburetor Overhaul Kit-Reference 121

Valve Gasket Set-Reference 1095

2810-7

Assemblies include all parts shown in frames.

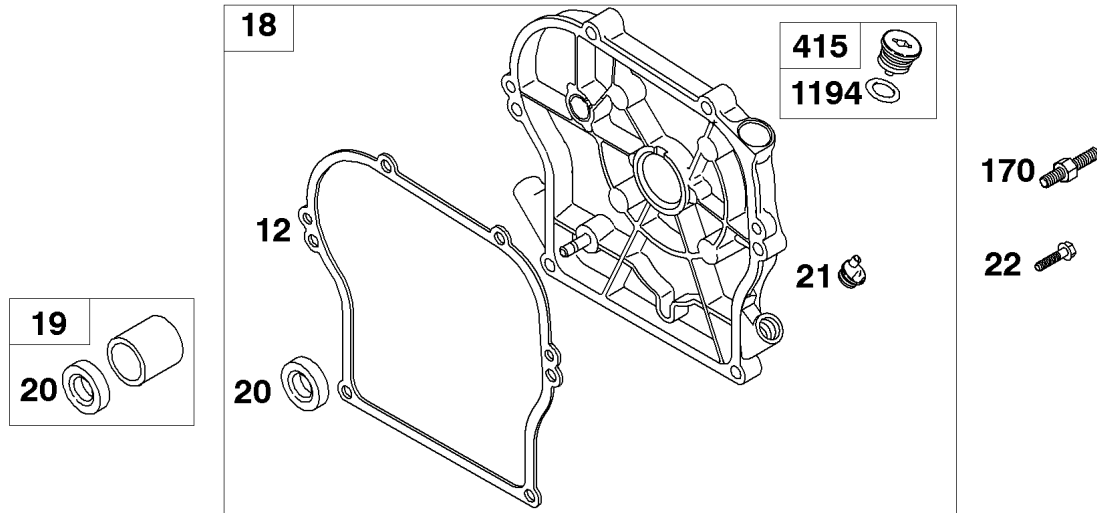
04/12/2012

Crankcase Cover/Sump

REF NO	PART NO	QTY	DESCRIPTION
18	-----		Cover-Crankcase -(NO LONGER AVAILABLE)
18	694319		COVER, Crankcase
18	694350		COVER, Crankcase -(Plain Bearing)
18	694377		COVER, Crankcase -(Gear Reduction)

Not For Reproduction

135200 to 135299



REF. NO.	PART NO.	DESCRIPTION	REF. NO.	PART NO.	DESCRIPTION	REF. NO.	PART NO.	DESCRIPTION
12	692213	Gasket-Crankcase (Standard)		0284, 0285, 0289, 0293, 0295, 0304, 0306, 0309, 0310, 0315, 0316, 0320, 0324, 0603, 0611, 0615, 0616, 0620, 0625, 0670, 0671, 0704, 0706, 0727, 0728, 0757, 0758, 0759, 0780, 0784,			0209, 0214, 0216, 0232, 0236, 0254, 0260, 0265, 0269, 0295, 0309, 0310, 0320, 0324, 0611, 0670, 0671, 0728, 0757, 0758, 0780, 1011, 1070, 1071, 1128, 1154, 1157, 1158, 1169, 1173, 1180, 1194, 1232, 1260, 1261, 1265, 1309, 1310, 1320, 1324, 1336, 1337, 1338, 1343.	
		----- Note -----		1003, 1004, 1005, 1011, 1016, 1020, 1025, 1070, 1071,			1324, 1336, 1337, 1338, 1338, 1343.	
		270125 Gasket-Crankcase (.005" Thick)		1105, 1119, 1127, 1128, 1142, 1153, 1154, 1157, 1158, 1159, 1169, 1171, 1180, 1194, 1231, 1232, 1238, 1245, 1258, 1259, 1260, 1261, 1263, 1271, 1276, 1281, 1284, 1289, 1299, 1304, 1310, 1315, 1320, 1324, 1329, 1336, 1337, 1338.			692019 Seal-Oil (PTO Side) Used on Type No(s).	
		270126 Gasket-Crankcase (.009" Thick)		0001, 0003, 0004, 0005, 0015, 0016, 0020, 0025, 0105, 0114, 0117, 0118, 0119, 0127, 0132, 0136, 0142, 0145, 0150, 0153, 0156, 0157, 0158, 0159, 0171, 0175, 0178, 0182, 0183, 0185, 0193, 0194, 0195, 0209, 0210, 0214, 0222, 0237, 0238, 0245, 0253, 0254, 0258, 0260, 0262, 0263, 0265, 0269, 0271, 0274, 0276, 0281,			0026, 0115, 0129, 0151, 0160, 0162, 0163, 0164, 0166, 0199, 0211, 0244, 0252, 0292, 0327, 0626, 0752, 1026, 1115, 1129, 1160, 1252, 1292, 1327.	
18		Cover-Crankcase (See Previous Page)		691952 Seal-Oil (PTO Side) Used on Type No(s).			21 281658s Cap-Oil Fill	
19	495660	Kit-Bushing/Seal (PTO Side)		0011, 0070, 0071, 0108, 0120, 0121, 0124, 0141, 0154, 0157, 0158, 0169, 0173, 0174, 0180, 0182, 0194, 0198, 0202, 0203, 0204, 0205, 0206, 0207,			22 691551 Screw (Crankcase Cover)	
20	495307	Seal-Oil (PTO Side)					170 691120 Stud (Crankcase Cover, Install In #1 and/or #2 Positions)	
		----- Note -----					415 691363 Plug (Crankcase Cover)	
		294606 Seal-Oil (PTO Side)					1194 691876 Seal-O Ring (Plug)	

Engine Gasket Set-Reference 358
Carburetor Overhaul Kit-Reference 121

Valve Gasket Set-Reference 1095

2810-8

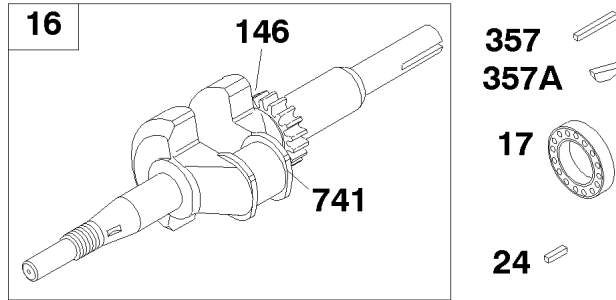
Assemblies include all parts shown in frames.

04/12/2012

Crankcase Cover/Sump 2

REF NO	PART NO	QTY	DESCRIPTION
12	692213		GASKET, Crankcase -(Standard)
12	270125		GASKET, CRANKCASE -(.005)
12	270126		GASKET-CRKCSE/009 -(.009)
18	694350		COVER, Crankcase -(Plain Bearing)
18	694377		COVER, Crankcase -(Gear Reduction)
18	-----		Cover-Crankcase -(NO LONGER AVAILABLE)
18	694319		COVER, Crankcase
20	294606S		SEAL, Oil -(PTO Side) (PTO Side)(1-3/8 Outside Diameter With Spring)
20	691952		SEAL, Oil -(PTO Side) (Auxiliary PTO)(1 Outside Diameter With Spring)
21	281658S		CAP-OIL FILL
22	692551		SCREW -(Crankcase Cover/Sump)
170	691120		STUD -(Crankcase Cover/Sump) (Install In Positions 1 And/Or 2)
309	690658		MOTOR, Starter
415	691363		PLUG -(Crankcase Cover/Sump)
1194	691876		SEAL, O-Ring -(Plug)

135200 to 135299



REF. NO.	PART NO.	DESCRIPTION	REF. NO.	PART NO.	DESCRIPTION	REF. NO.	PART NO.	DESCRIPTION																				
16	492088	Crankshaft (No Longer Available)																										
		----- Note ----- 397095 Crankshaft Used on Type No(s). 0049, 0107, 0155, 0215, 0243, 0277, 0649, 1049, 1215. 397103 Crankshaft Used on Type No(s). 0020, 0117, 0132, 0258, 0620, 0728, 0759, 1299, 1020, 1128, 1231, 1258, 1299. 494035 Crankshaft Used on Type No(s). 0026, 0115, 0129, 0151, 0160, 0162, 0163, 0164, 0166, 0199, 0211, 0244, 0252, 0292, 0297, 0327, 0626, 0729, 0752, 1327, 1026, 1115, 1129, 1160, 1252, 1292, 1340. 692140 Crankshaft Used on Type No(s). 1080, 1314. 495642 Crankshaft Used on Type No(s). 0080, 0314. 495643 Crankshaft Used on Type No(s). 0038, 0059, 0072, 0075, 0082, 0083, 0093, 0126, 0228, 0241, 0251, 0291, 0311, 0312, 0638, 0791, 1038, 1072, 1075, 1093, 1291, 1312.			495644 Crankshaft Used on Type No(s). 0035, 0084, 0131, 0247, 0301, 0326, 0635, 1035, 1084, 1301, 1326, 1328, 1333. 495645 Crankshaft Used on Type No(s). 0009, 0018, 0019, 0027, 0029, 0036, 0073, 0106, 0116, 0125, 0128, 0131, 0133, 0134, 0139, 0143, 0161, 0165, 0168, 0176, 0179, 0181, 0186, 0192, 0200, 0208, 0212, 0217, 0227, 0230, 0249, 0250, 0256, 0264, 0268, 0283, 0288, 0299, 0303, 0317, 0318, 0636, 0700, 0717, 0730, 0762, 0779, 0788, 1009, 1012, 1019, 1027, 1029, 1036, 1050, 1073, 1106, 1139, 1143, 1161, 1179, 1186, 1200, 1217, 1250, 1268, 1283, 1288, 1317, 1318. 495649 Crankshaft Used on Type No(s). 0003, 0007, 0060, 0144, 0146, 0148, 0152, 0167, 0171, 0177, 0178, 0183, 0188, 0189, 0190, 0191, 0196, 0197, 0213, 0240, 0255, 0272, 0273, 0289, 0300, 0305, 0603, 0607, 0660, 0767, 0790, 0815, 1003, 1007, 1060, 1146,			1167, 1171, 1190, 1197, 1289, 1330. 499764 Crankshaft Used on Type No(s). 0079, 0140, 0223, 0263, 0294, 0298, 0302, 0307, 0308, 0679, 0702, 0913, 1008, 1079, 1140, 1223, 1263, 1308, 1313. 499765 Crankshaft Used on Type No(s). 0014, 0253. 692142 Crankshaft Used on Type No(s). 0740, 0814, 1261.	17	692007	Bearing-Ball	24	222698s	Key-Flywheel	146	690979	Key-Timing (Used with Timing Gear 691847)	----- Note ----- 499047 Key-Timing (Used with Timing Gear 261696)	357	692191	Key-Drive Pulley	357A	690339	Key-Drive Pulley (Woodruff)	741	691847	Gear-Timing (Uses Woodruff Key)	----- Note ----- 261696 Gear-Timing (Uses Locating Pin)

Engine Gasket Set-Reference 358
Carburetor Overhaul Kit-Reference 121

Valve Gasket Set-Reference 1095

2810-6

Assemblies include all parts shown in frames.

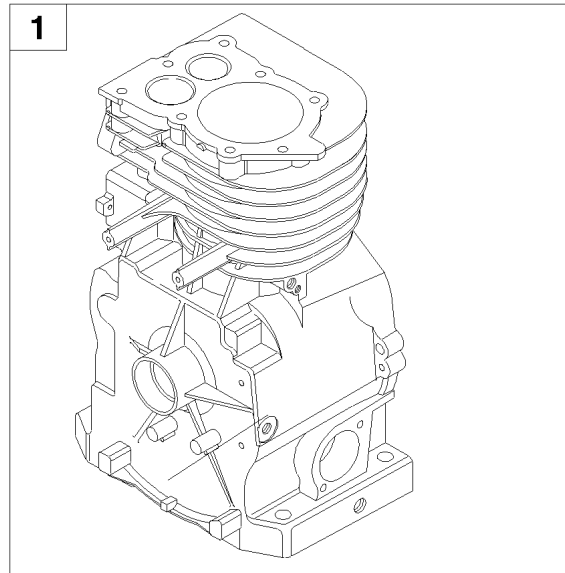
04/12/2012

Crankshaft

REF NO	PART NO	QTY	DESCRIPTION
17	692007		BEARING-BALL
24	222698S		KEY, Flywheel
146	499047		PIN, Locating -(Used With Timing Gear 261696)
146	690979		KEY, Woodruff -(Used With Timing Gear 691847)
357	692191		KEY, Drive Pulley
357A	690339		KEY, Drive Pulley -(Woodruff)
741	261696		GEAR, TIMING -(Plain Bearing) (Uses Locating Pin)
741	691847		GEAR, Timing -(Uses Woodruff Key)

Not For Reproduction

135200 to 135299



REF. NO.	PART NO.	DESCRIPTION	REF. NO.	PART NO.	DESCRIPTION	REF. NO.	PART NO.	DESCRIPTION
1	497144	Cylinder Assembly ----- Note ----- 494955 Cylinder Assembly Used on Type No(s). 0011, 0013, 0022, 0025, 0026, 0059, 0072, 0075, 0080, 0082, 0083, 0084, 0093, 0115, 0121,		0126, 0138, 0157, 0162, 0163, 0164, 0166, 0168, 0181, 0205, 0215, 0225, 0226, 0236, 0241, 0244, 0247, 0248, 0251, 0252, 0256, 0259, 0264, 0277, 0291, 0292, 0297, 0299, 0312, 0314,			0327, 0611, 0625, 0626, 0752, 0757, 0762, 0791, 1011, 1012, 1025, 1026, 1072, 1075, 1080, 1084, 1093, 1115, 1157, 1215, 1252, 1291, 1292, 1312, 1314, 1327, 1328, 1333, 1337, 1340.	

Engine Gasket Set-Reference 358
Carburetor Overhaul Kit-Reference 121

Valve Gasket Set-Reference 1095

2810-2

Assemblies include all parts shown in frames.

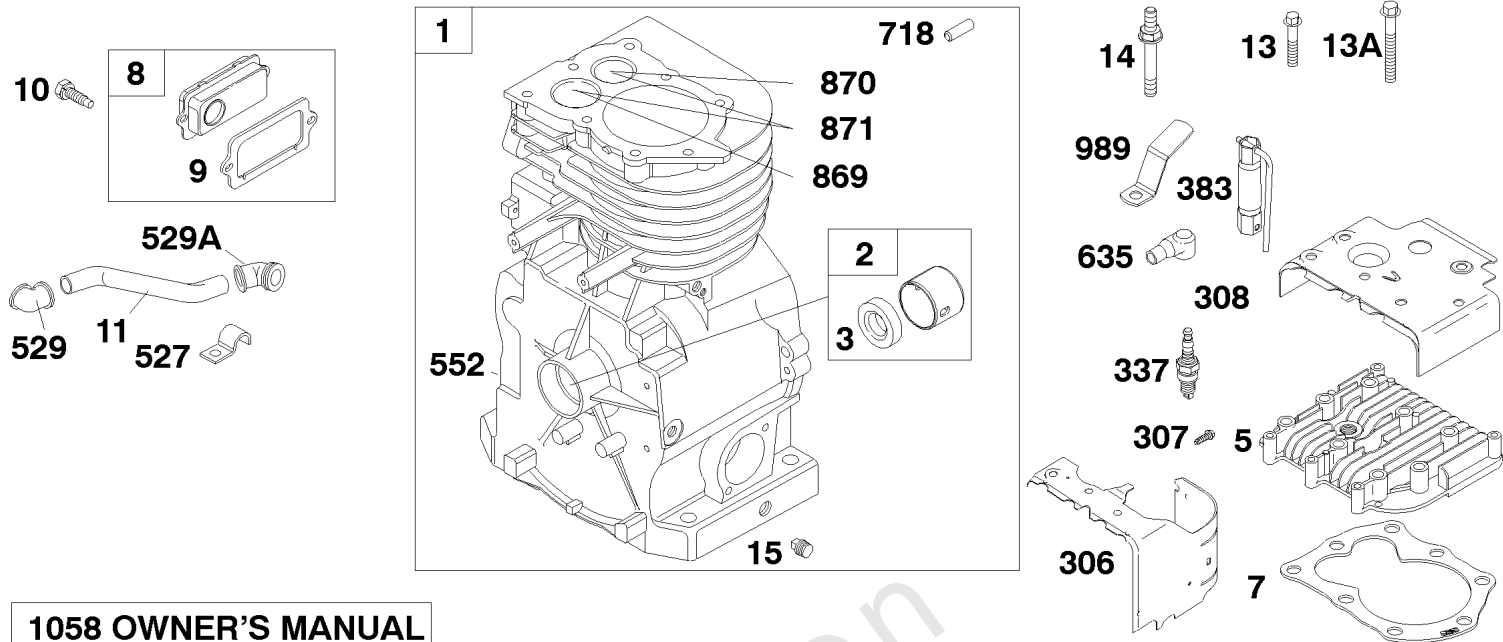
04/12/2012

Cylinder Group Type Numbers

REF NO	PART NO	QTY	DESCRIPTION
1	497144		CYLINDER ASSEMBLY

Not For Reproduction

135200 to 135299



1058 OWNER'S MANUAL

REF. NO.	PART NO.	DESCRIPTION	REF. NO.	PART NO.	DESCRIPTION	REF. NO.	PART NO.	DESCRIPTION
1		Cylinder Assembly (See previous page)	13	691640	Screw (Cylinder Head)	869	691705	Seat-Valve (Intake)
2	399269	Kit-Bushing/Seal (Magneto Side) (Used After Code Date 94012300).	13A	691659	Screw (Cylinder Head)	870	691701	Seat-Valve (Exhaust)
		----- Note -----	14	691690	Stud (Cylinder Head)	871	262001	Bushing-Valve Guide (Exhaust)
		297565 Kit-Bushing/Seal (Magneto Side) (Used Before Code Date 94012400).	15	691686	Plug-Oil Drain (Standard)			----- Note -----
3	299819s	Seal-Oil (Magneto Side)	306	694514	Shield-Cylinder (Cylinder Shield)			63709 Bushing-Valve Guide (Intake)
5	691716	Head-Cylinder	307	691660	Screw (Full)	989	221828	Stopswitch-Spark Plug Used on Type No(s). 1011, 1012.
7	272157s	Gasket-Cylinder Head	308	690473	Cover-Cylinder Head	1058	274266	Owner's Manual (Emission)
8	699448	Breather Assembly	337	802592s	Plug-Spark			----- Note -----
9	27549	Gasket-Breather	383	89838	Wrench-Spark Plug			276646 Owner's Manual (Non Emission)
10	691666	Screw (Breather Assembly)	527	691741	Clamp-Tube			
11	231550	Tube-Breather	529	692189	Grommet (90 Degree)			
		----- Note -----	529A	692187	Grommet (120 Degree)			
		230722 Tube-Breather Used on Type No(s). 0299.	552	690508	Bushing-Governor Crank			
		690517 Tube-Breather Used on Type No(s). 1011, 1012.	635	66538	Boot-Spark Plug			
			718	690959	Pin-Locating			

Engine Gasket Set-Reference 358
Carburetor Overhaul Kit-Reference 121

Valve Gasket Set-Reference 1095

2810-3

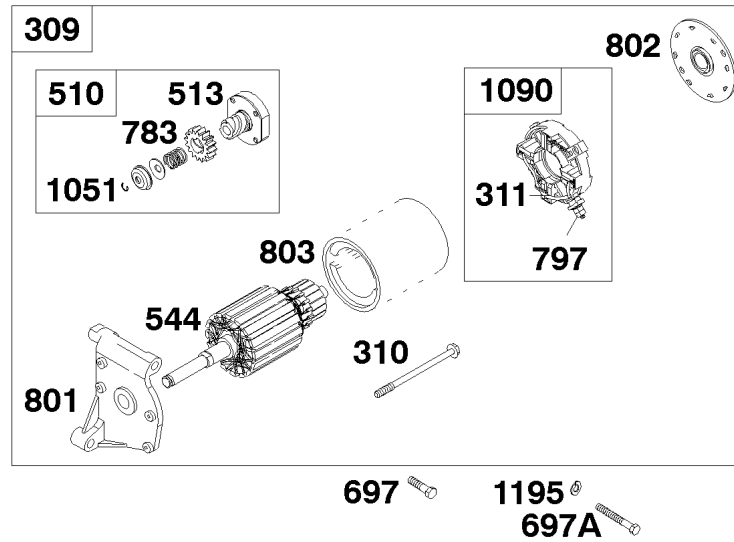
Assemblies include all parts shown in frames.

04/12/2012

Cylinder Group-Parts

REF NO	PART NO	QTY	DESCRIPTION
1	497144		CYLINDER ASSEMBLY
2	796961		KIT, Bushing/Seal -(Magneto Side) -Used After Code Date 94012300
2	297565		KIT, Bushing/Seal -(Magneto Side) -Used Before Code Date 94012400
3	299819S		SEAL, Oil -(Magneto Side)
5	691716		HEAD, Cylinder
7	272157S		GASKET-CYLINDER HEAD
8	791779		BREATHER ASSEMBLY
9	27549S		GASKET, Breather
10	691666		SCREW -(Breather Assembly)
11	231550		TUBE, Breather
13	691640		SCREW -(Cylinder Head)
13A	691659		SCREW -(Cylinder Head)
14	691690		STUD -(Cylinder Head)
15	691686		PLUG-OIL DRAIN -(Standard)
306	694514		SHIELD-CYLINDER
307	691660		SCREW -(Cylinder Shield)
308	690473		COVER, Cylinder Head
337	796112S		PLUG-SPARK
383	89838S		WRENCH-SPARK PLUG
527	691741		CLAMP, Hose
529	692189		GROMMET -(90 Degree)
529A	692187		GROMMET -(120 degree)
552	690508		BUSHING, Governor Crank
635	66538S		BOOT, Spark PLug
718	690959		PIN, Locating
1058	272646		MANUAL, Operator's -(Non Emission)
1058	274266		MANUAL, Operator's -(Emission)

135200 to 135299



REF. NO.	PART NO.	DESCRIPTION	REF. NO.	PART NO.	DESCRIPTION	REF. NO.	PART NO.	DESCRIPTION
309	690658	Motor-Starter	697	693972	Screw (Drive Cap)	801	690835	Cap-Drive
310	690323	Bolt (Starter Motor)	697A	690298	Screw (Drive Cap) (Starter Drive Cover)	802	691286	Cap-End
311	497608	Set-Brush	783	692353	Gear-Pinion	803		Housing-Starter (No Longer Available)
510	499308	Drive-Starter	797	691029	Nut (Brush Retainer)	1051	691265	Ring-Retaining
513	692024	Clutch-Drive				1090	691293	Retainer-Brush
544	692966	Armature-Starter				1195	691075	Washer (Drive Cap)

Engine Gasket Set-Reference 358
Carburetor Overhaul Kit-Reference 121

Valve Gasket Set-Reference 1095

2810-25

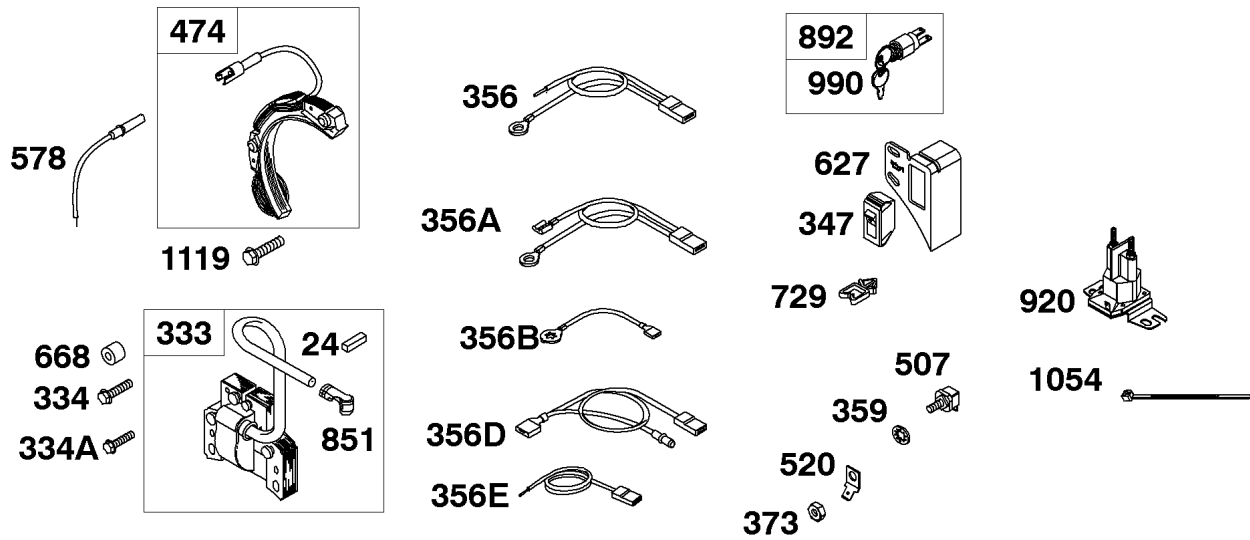
Assemblies include all parts shown in frames.

04/12/2012

Electric Starter

REF NO	PART NO	QTY	DESCRIPTION
309	690658		MOTOR, Starter
310	690323		SCREW -(Starter Motor)
311	497608		SET, Brush
510	499308		DRIVE-STARTER
513	692024		CLUTCH, Drive
544	692966		ARMATURE, Starter
697	693972		SCREW -(Starter Motor) (Drive Cap)
697A	690298		SCREW -(Starter Motor) (Drive Cap)
783	692353		GEAR-PINION
797	691029		NUT -(Brush Retainer)
801	690835		CAP, Drive
802	691286		CAP, End
803	-----		Housing-Starter -(NO LONGER AVAILABLE)
1051	691265		RING, Retaining
1090	691293		RETAINER, Brush
1195	691075		WASHER -(Drive Cap)

135200 to 135299



REF. NO.	PART NO.	DESCRIPTION	REF. NO.	PART NO.	DESCRIPTION	REF. NO.	PART NO.	DESCRIPTION
24	691732	Key-Flywheel	356E	692390	Wire-Stop	668	690531	Spacer
333	397358	Armature-Magneto	359	691077	Washer (Ground Terminal)	729	690588	Clip-Wire (Snap In, Nylon)
334	690306	Screw (Magneto Armature)	373	691612	Nut (Ground Terminal)	851	493880s	Terminal-Spark Plug
334A	691621	Screw (Magneto Armature)	474	494254	Alternator (Magneto Armature)	892	690646	Switch-Key
347	691995	Switch-Rocker	507	691972	Insulator	920	691656	Solenoid-Starter
356	398808	Wire-Stop	520	691084	Terminal-Ground	990	691959	Key Set
356A	690650	Wire-Stop	578	692306	Wire Assembly	1054	280275	Tie-Cable
356B	690817	Wire-Stop	627	690474	Bracket-Stopswitch	1119	691183	Screw (Alternator)
356D	690818	Wire-Stop						

Engine Gasket Set-Reference 358
Carburetor Overhaul Kit-Reference 121

Valve Gasket Set-Reference 1095

2810-15

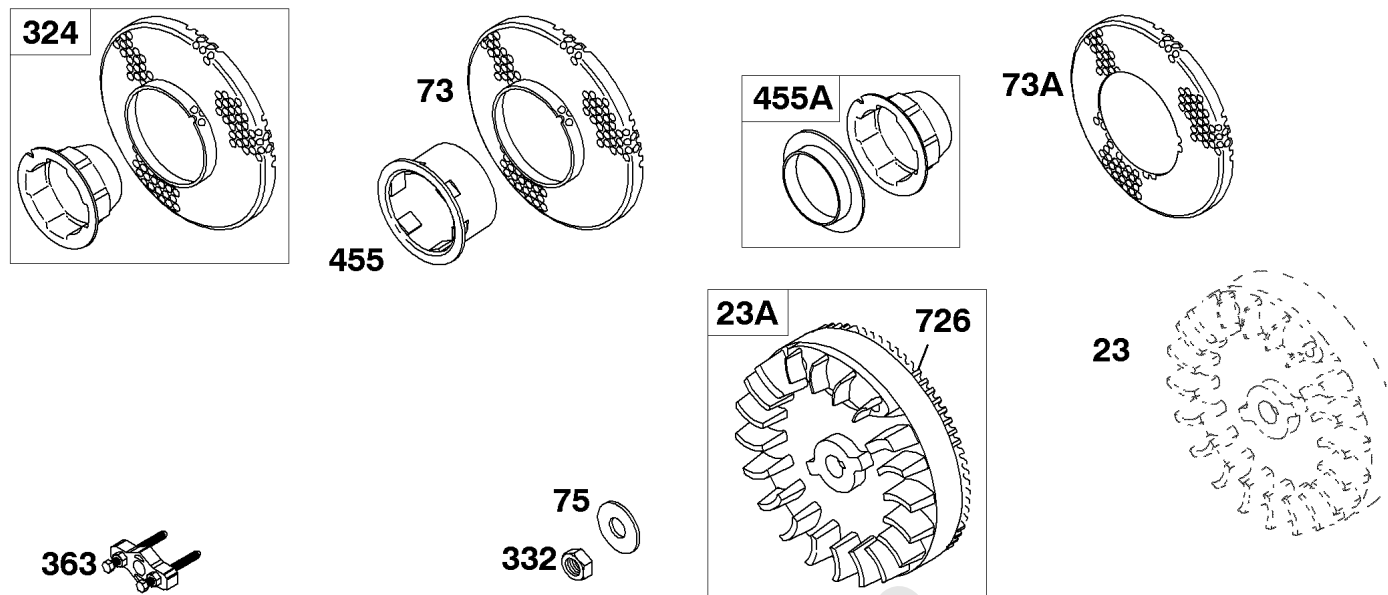
Assemblies include all parts shown in frames.

04/12/2012

Electrical

REF NO	PART NO	QTY	DESCRIPTION
24	222698S		KEY, Flywheel
333	397358		ARMATURE-MAGNETO
334	690306		SCREW -(Magneto Armature)
334A	691621		SCREW -(Magneto Armature)
347	691995		SWITCH-ROCKER
356	398808		WIRE, Stop -(Cut To Required Length)
356A	690650		WIRE, Stop
356B	690817		WIRE-STOP
356E	692390		WIRE, Stop
359	691077		WASHER -(Ground Terminal)
373	691612		NUT -(Ground Terminal)
474	494254		ALTERNATOR
507	691972		INSULATOR
520	691084		TERMINAL, Ground
578	692306		WIRE ASSEMBLY
627	690474		BRACKET-STOPSWITCH
668	690531		SPACER
729	690588		CLIP, Wire -(Snap In)(Nylon)
851	493880S		TERMINAL-SPARK PLUG
892	690646		SWITCH, Key
920	691656		SOLENOID, Starter
990	691959		SET, Key
1054	280275		TIE, Cable
1119	691183		SCREW -(Alternator)

135200 to 135299



REF. NO.	PART NO.	DESCRIPTION	REF. NO.	PART NO.	DESCRIPTION	REF. NO.	PART NO.	DESCRIPTION
23		Flywheel (No Longer Available) (Rewind Start)	75	690582	Washer (Flywheel)	455	224250	Cup-Flywheel (Straight Side Cup) (Used Before Code Date 95020300).
23A	690820	Flywheel (With Ring Gear)	324	695161	Screen/Cup Assembly (Used After Code Date 95010800).	455A	494770	Cup-Flywheel (Straight Side Cup With Rotating Screen Ring)
73	224883	Screen-Rotating (Used Before Code Date 95020300).	332	690662	Nut (Flywheel)	726	495765	Gear-Ring (Includes Mounting Hardware)
73A	695161	Screen-Rotating (Used After Code Date 95010800).	363	19069	Flywheel Puller			
		----- Note ----- 224974 Screen-Rotating (No Longer Available) (Used Before Code Date 95010900).						

Engine Gasket Set-Reference 358
Carburetor Overhaul Kit-Reference 121

Valve Gasket Set-Reference 1095

2810-21

Assemblies include all parts shown in frames.

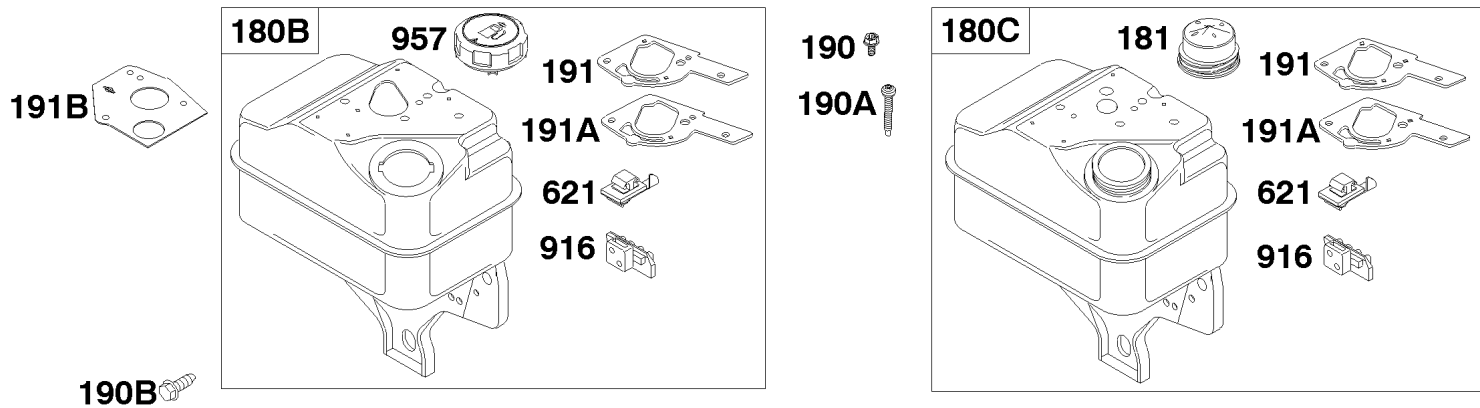
04/12/2012

Flywheels, Rotating Screens

REF NO	PART NO	QTY	DESCRIPTION
23A	690820		FLYWHEEL
73	224883		SCREEN-ROTATING -Used Before Code Date 95020300
73A	695161		SCREEN/CUP ASSEMBLY
73A	224974		SCREEN, Rotating
324	695161		SCREEN/CUP ASSEMBLY -(Tapered Side Cup And Rotating Screen Ring)
324	695161		SCREEN/CUP ASSEMBLY -Used After Code Date 95010800
332	690662		NUT -(Flywheel)
363	19069		PULLER, Flywheel
455	224250		CUP-FLYWHEEL -(Straight Side Cup) -Used Before Code Date 95020300
455A	494770		CUP, Flywheel -(Straight Side Cup)
726	495765		GEAR, Ring -(Includes Mounting Hardware)

Not For Reproduction

135200 to 135299



★ **NOTE: ALL FUN-KART APPLICATIONS USING MODEL SERIES 135200 ENGINES MUST USE 694315 FUEL TANK.**

REF. NO.	PART NO.	DESCRIPTION	REF. NO.	PART NO.	DESCRIPTION	REF. NO.	PART NO.	DESCRIPTION
180B	694315	Tank-Fuel ----- Note ----- 495370 Tank-Fuel Used on Type No(s). 0214.	190	692200	Screw (Fuel Tank)	916	691900	Rack-Governor Gear (Black) ----- Note ----- 690583 Rack-Governor Gear (Natural) Used on Type No(s). 0016, 0019, 0071, 0147, 0148, 0185, 0195, 0200, 0213, 0214, 0216, 0232, 0260, 0263, 0306, 0310, 1016, 1071, 1147, 1200, 1232, 1260, 1263, 1310.
180C	494600	Tank-Fuel Used on Type No(s). 0299, 1011, 1012.	190A	691687	Screw (Fuel Tank)	957	494559	Cap-Fuel Tank
181	394818s	Cap-Fuel Tank (Metal) (Threaded, Vented) ----- Note ----- 498156 Cap-Fuel Tank (Metal) (Threaded, Non Vented) Used on Type No(s). 0293.	190B	691685	Screw (Fuel Tank)			
			191	692241	Gasket-Fuel Tank			
			191A	272996	Gasket-Fuel Tank			
			191B	272409s	Gasket-Fuel Tank Used on Type No(s). 0299, 1011, 1012.			
			621	692310	Switch-Stop			

Engine Gasket Set-Reference 358
Carburetor Overhaul Kit-Reference 121

Valve Gasket Set-Reference 1095

2810-17

Assemblies include all parts shown in frames.

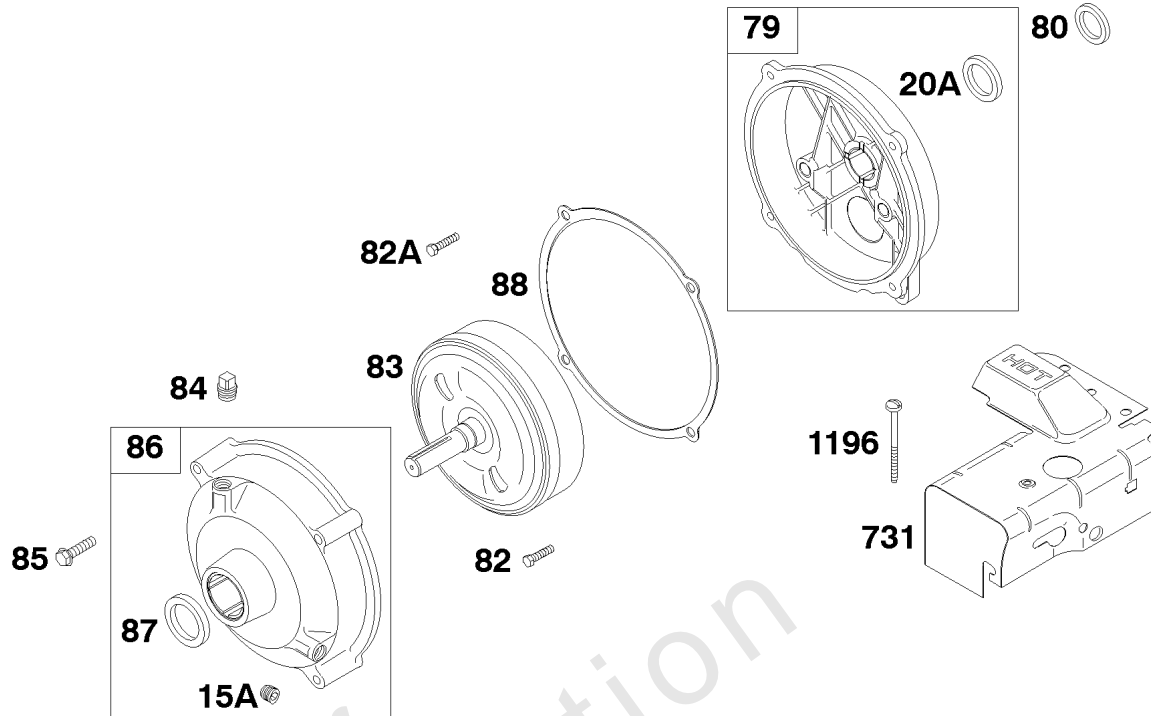
04/12/2012

Fuel Tank Group

REF NO	PART NO	QTY	DESCRIPTION
180B	694315		TANK, Fuel -(Metal)
181	394818S		CAP-FUEL TANK -(Metal)
190	692200		SCREW -(Fuel Tank)
190A	691687		SCREW -(Fuel Tank)
190B	691685		SCREW -(Fuel Tank)
191	692241		GASKET, Fuel Tank
191A	272996		GASKET, Fuel Tank
621	692310		SWITCH, Stop
916	691900		RACK, Governor Gear -(Black)

Not For Reproduction

135200 to 135299



REF. NO.	PART NO.	DESCRIPTION	REF. NO.	PART NO.	DESCRIPTION	REF. NO.	PART NO.	DESCRIPTION
15A	691682	Plug-Oil Drain Plug (Flush)	82	690369	Screw (Gear Reduction Case)	86	690608	Cover-Gear
20A	299819	Seal-Oil (PTO Side) (53/64" I.D. Without Spring)	82A	699164	Screw (Gear Reduction Case)	87	691582	Seal-Gear Reduction
79	690605	Case-Gear Reduction	83	690374	Shaft-Auxiliary Drive	88	691600	Gasket-Gear Reduction Cover
80	691602	Gasket-Gear Case	84	691121	Plug-Breather	731	399183	Hood-Snow
			85	691117	Screw (Gear Cover to Gear Reduction)	1196	93977	Screw (Snow Hood)

Engine Gasket Set-Reference 358
Carburetor Overhaul Kit-Reference 121

Valve Gasket Set-Reference 1095

2810-26

Assemblies include all parts shown in frames.

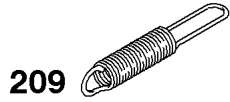
04/12/2012

Gear Reduction Group/Sno-Gard

REF NO	PART NO	QTY	DESCRIPTION
15A	691682		PLUG-OIL DRAIN -(Flush)
79	690605		CASE, Gear Reduction
80	691602		GASKET, Gear Case
82	690369		SCREW -(Gear Reduction Case)
82A	699164		SCREW -(Gear Reduction Case)
83	690374		SHAFT, Auxiliary Drive
84	691121		PLUG-BREATHER
85	691117		SCREW -(Gear Cover)
86	690608		COVER, Gear
87	691582		SEAL, Gear Reduction
88	691600		GASKET, Gear Cover/Housing
731	492291		HOOD, Snow
1196	93977		SCREW -(Snow Hood)

Not For Reproduction

135200 to 135299



REF. NO.	PART NO.	DESCRIPTION	REF. NO.	PART NO.	DESCRIPTION	REF. NO.	PART NO.	DESCRIPTION
209	690376	Spring-Governor (Rich Red) ----- Note ----- 691816 Spring-Governor (Black) Used on Type No(s). 0004, 0016, 0020, 0027, 0029, 0119, 0124, 0127, 0141, 0142, 0143, 0176, 0177, 0185, 0189, 0195, 0203, 0209, 0217, 0232, 0240, 0242, 0254, 0260, 0262, 0263, 0265, 0268, 0276, 0281, 0309, 0315, 0324, 1003, 1035, 1080, 1084, 1155, 1171, 1246, 1283, 1326, 1328, 1333. 690549 Spring-Governor (Blue) Used on Type No(s). 0018, 0215, 0225, 0248, 0603, 0607, 0611, 0615, 0623, 0625, 0635, 0636, 0649, 0660, 0670, 0671, 0679, 0700, 0702, 0704, 0717, 0730, 0740, 0747, 0759, 0762, 0767, 0779, 0780, 0784, 0788, 0790, 0814, 0815, 0913, 1005, 1007, 1008, 1009, 1011, 1019, 1023, 1025, 1036, 1049, 1050, 1060, 1070, 1071, 1073, 1079, 1105, 1106, 1139, 1140, 1143, 1146, 1147, 1153, 1154, 1157, 1158, 1159, 1161, 1167, 1169, 1173, 1179, 1180, 1186, 1190, 1194, 1196, 1197, 1200,			1216, 1219, 1223, 1231, 1238, 1245, 1250, 1258, 1259, 1271, 1284, 1288, 1289, 1296, 1299, 1301, 1304, 1308, 1310, 1313, 1314, 1317, 1318, 1320, 1329, 1330. 691817 Spring-Governor (Green) Used on Type No(s). 0026, 0038, 0082, 0115, 0129, 0151, 0160, 0162, 0164, 0166, 0199, 0211, 0241, 0244, 0252, 0311, 0327, 0626, 0638, 0729, 0752, 0791, 1026, 1038, 1115, 1129, 1160, 1252, 1291, 1327, 1340.			690550 Spring-Governor (Yellow) Used on Type No(s). 0059, 0072, 0075, 0083, 0093, 0126, 0163, 0228, 0251, 0292, 0297, 0312, 1072, 1093, 1292, 1312, 1342. 691845 Spring-Governor (Silver) Used on Type No(s). 0616, 0620, 0706, 0727, 0728, 1004, 1016, 1020, 1027, 1029, 1119, 1127, 1128, 1142, 1217, 1232, 1242, 1260, 1261, 1263, 1265, 1268, 1276, 1281, 1309, 1315, 1324, 1343, 1345. 692896 Spring-Governor (Bright Orange) Used on Type No(s). 1215.
						209C	692208	Spring-Governor (Green) Used on Type No(s). 0299, 1011, 1012.
						211	691850	Spring-Governed Idle

Engine Gasket Set-Reference 358
Carburetor Overhaul Kit-Reference 121

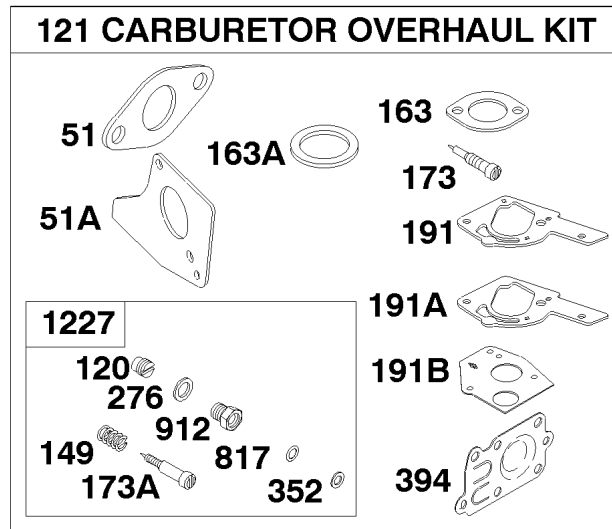
Valve Gasket Set-Reference 1095

Governor Springs

REF NO	PART NO	QTY	DESCRIPTION
209	690376		SPRING, Governor -(Rich Red)
211	691850		SPRING, Governed Idle

Not For Reproduction

135200 to 135299



REF. NO.	PART NO.	DESCRIPTION	REF. NO.	PART NO.	DESCRIPTION	REF. NO.	PART NO.	DESCRIPTION
51	27355	Gasket-Intake Used on Type No(s). 0299, 1101, 1012, 1309.	173	691777	Valve-Idle Mixture (Idle)	394	272538	Diaphragm-Carburetor (Pump)
51A	273113	Gasket-Intake	173A	690266	Valve-Idle Mixture (Main)	817	691606	Seal-O Ring (High Speed Valve)
120	692134	Seat-Needle Valve	191	692241	Gasket-Fuel Tank	912	690504	Nut-Needle Valve
121	495606	Kit-Carburetor Overhaul	191A	272996	Gasket-Fuel Tank	1227	299060	Valve-High Speed
149	691592	Spring-Needle Valve	191B	272409	Gasket-Fuel Tank Used on Type No(s). 0299, 1011, 1012.			
163	271935	Gasket-Air Cleaner (Standard, Oval)	276	691608	Washer-Sealing			
163A	271139	Gasket-Air Cleaner (1 5/8" O.D. Round)	352	690257	Washer (High Speed Valve)			

Engine Gasket Set-Reference 358
Carburetor Overhaul Kit-Reference 121

Valve Gasket Set-Reference 1095

2810-29

Assemblies include all parts shown in frames.

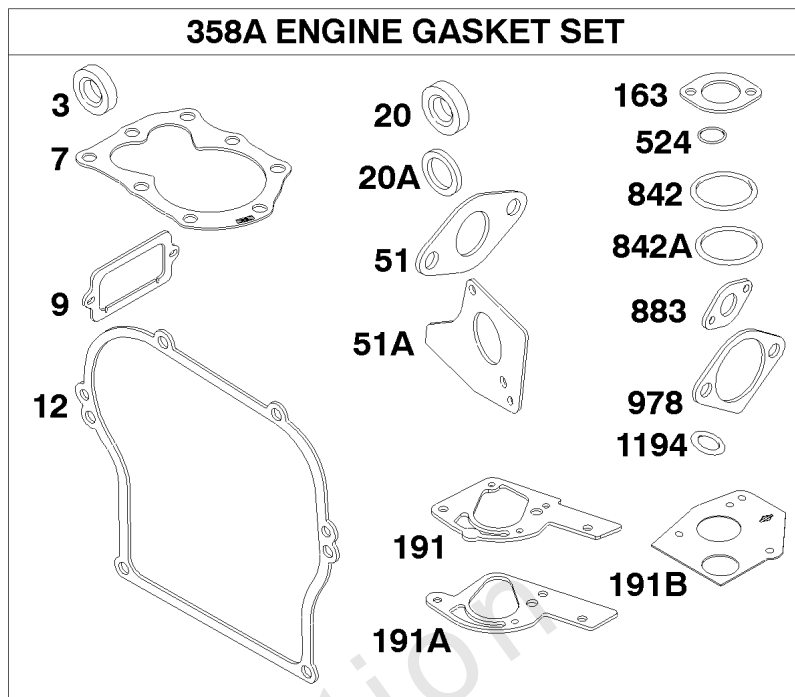
04/12/2012

Kits/Gasket Sets - Carburetor

REF NO	PART NO	QTY	DESCRIPTION
51	273113S		GASKET, Intake
120	692134		SEAT-NEEDLE VALVE
121	495606		KIT, Carburetor Overhaul
149	691592		SPRING-NEEDLE VALVE
163	271935S		GASKET, Air Cleaner -(Standard)(Oval)
163A	271139S		GASKET, Air Cleaner -(1 5/8 Outside Diameter)
173	691777		VALVE, Idle Mixture
173A	690266		VALVE-IDLE MIXTURE -(Main)
191	692241		GASKET, Fuel Tank
191A	272996		GASKET, Fuel Tank
276	691608		WASHER-SEALING
352	690257		WASHER -(High Speed Valve)
394	272538S		DIAPHRAGM, Carburetor
817	691606		SEAL-O RING -(High Speed Valve)
912	690504		NUT-NEEDLE VALVE
1227	299060		VALVE, High Speed -(Threaded)

135200 to 135299

1330 REPAIR MANUAL



REF. NO.	PART NO.	DESCRIPTION	REF. NO.	PART NO.	DESCRIPTION	REF. NO.	PART NO.	DESCRIPTION
3	299819	Seal-Oil (Magneto Side)	51	27355	Gasket-Intake Used on Type No(s). 0299, 1101, 1012, 1309.	842	691031	Seal-O Ring (Dipstick Tube) (Used After Code Date 99031400).
7	272157	Gasket-Cylinder Head	51A	273113	Gasket-Intake	842A	691870	Seal-O Ring (Dipstick Tube) (Used Before Code Date 99031500).
9	27549	Gasket-Breather	163	271935	Gasket-Air Cleaner (Standard, Oval)	883	692237	Gasket-Exhaust
12	692213	Gasket-Crankcase (Standard)	191	692241	Gasket-Fuel Tank	978	273326	Gasket-OIL GARD®
		----- Note -----	191A	272996	Gasket-Fuel Tank	1194	691876	Seal-O Ring (Plug)
		270125 Gasket-Crankcase (.005" Thick)	191B	272409	Gasket-Fuel Tank Used on Type No(s). 0299, 1011, 1012.	1330	270962	Repair Manual
		270126 Gasket-Crankcase (.009" Thick)	358A	495603	Gasket Set-Engine			
20	495307	Seal-Oil (PTO Side)	524	691876	Seal-Dipstick Tube			
20A	299819	Seal-Oil (PTO Side)						

Engine Gasket Set-Reference 358
Carburetor Overhaul Kit-Reference 121

Valve Gasket Set-Reference 1095

2810-28

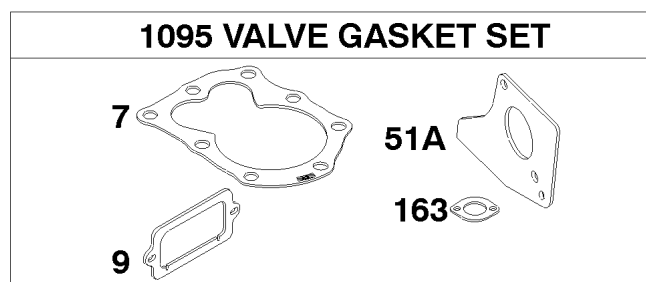
Assemblies include all parts shown in frames.

04/12/2012

Kits/Gasket Sets - Engine

REF NO	PART NO	QTY	DESCRIPTION
3	299819S		SEAL, Oil -(Magneto Side)
7	272157S		GASKET-CYLINDER HEAD
9	27549S		GASKET, Breather
12	270125		GASKET, CRANKCASE -(.005)
12	270126		GASKET-CRKCSE/009 -(.009)
12	692213		GASKET, Crankcase -(Standard)
20	294606S		SEAL, Oil -(PTO Side) (PTO Side)(1-3/8 Outside Diameter With Spring)
20	691952		SEAL, Oil -(PTO Side) (Auxiliary PTO)(1 Outside Diameter With Spring)
51	273113S		GASKET, Intake
163	271935S		GASKET, Air Cleaner -(Standard)(Oval)
191	692241		GASKET, Fuel Tank
191A	272996		GASKET, Fuel Tank
358A	495603		GASKET SET, Engine
524	691876		SEAL, O-Ring
842	691031		SEAL, O-Ring -(Dipstick Tube) -Used After Code Date 99031400
842A	691870		SEAL, O-Ring -(Dipstick Tube) -Used Before Code Date 99031500
883	692237		GASKET-EXHAUST
978	273326S		GASKET-OIL GARD
1194	691876		SEAL, O-Ring -(Plug)

135200 to 135299



REF. NO.	PART NO.	DESCRIPTION	REF. NO.	PART NO.	DESCRIPTION	REF. NO.	PART NO.	DESCRIPTION
7	272157	Gasket-Cylinder Head	51A	273113	Gasket-Intake	1095	498529	Gasket Set-Valve
9	27549	Gasket-Breather	163	271935	Gasket-Air Cleaner (Standard, Oval)			

Engine Gasket Set-Reference 358
Carburetor Overhaul Kit-Reference 121

Valve Gasket Set-Reference 1095

2810-30

Assemblies include all parts shown in frames.

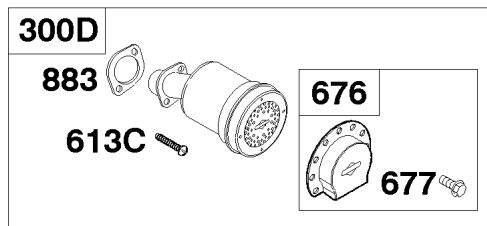
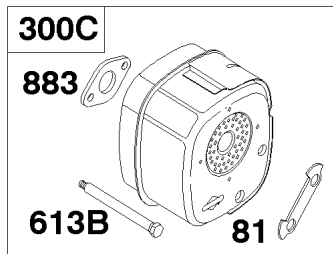
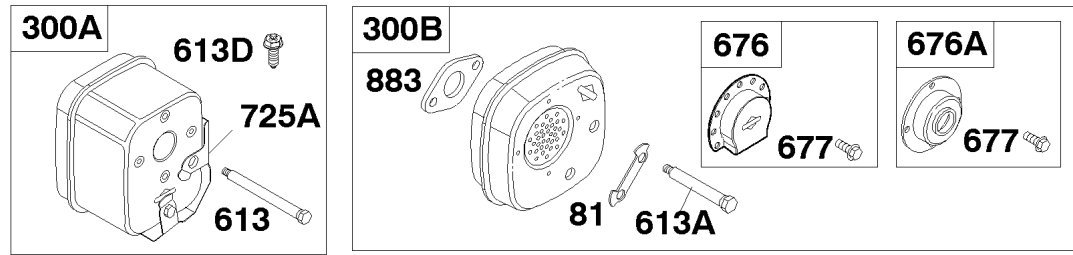
04/12/2012

Kits/Gasket Sets - Valve

REF NO	PART NO	QTY	DESCRIPTION
7	272157S		GASKET-CYLINDER HEAD
9	27549S		GASKET, Breather
163	271935S		GASKET, Air Cleaner -(Standard)(Oval)
1095	498529		GASKET SET, Valve

Not For Reproduction

135200 to 135299



REF. NO.	PART NO.	DESCRIPTION	REF. NO.	PART NO.	DESCRIPTION	REF. NO.	PART NO.	DESCRIPTION
81	691729	Lock-Muffler Screw	303	94089	Elbow-Exhaust	676	393757	Deflector-Muffler (Side Out) (Deep)
298	690453	Locknut-Muffler/Elbow	613	691351	Screw (Muffler)			----- Note -----
300A	691969	Muffler (Super Lo Tone)	613A	691413	Screw (Muffler)	676A	395700	Deflector-Muffler (Direct Out)
300B	494585	Muffler	613B	691632	Screw (Muffler)	677	690661	Screw (Muffler Deflector)
		----- Note ----- (Heat Shield Supplied By Equipment Manufacturer) Used on Type No(s). 0185.	613C	691665	Screw (Muffler)	725A	690466	Shield-Heat (Muffler)
300C	390918	Muffler (Lo Tone)	613D	690810	Screw (Muffler)	883	692237	Gasket-Exhaust
		----- Note ----- 692304 Muffler (Lo Tone) Used on Type No(s). 0072, 0075, 0142, 0143, 0193, 0195, 0198, 0208, 0244, 0315, 0316, 1072, 1075, 1127, 1142, 1143, 1315.	613E	692557	Screw (Muffler)	981	690408	Brace-Muffler
300D	496892	Muffler (Round Lo Tone) Used on Type No(s). 0138, 0165, 0227, 0274.			Used on Type No(s). 1127.			

Engine Gasket Set-Reference 358
Carburetor Overhaul Kit-Reference 121

Valve Gasket Set-Reference 1095

2810-19

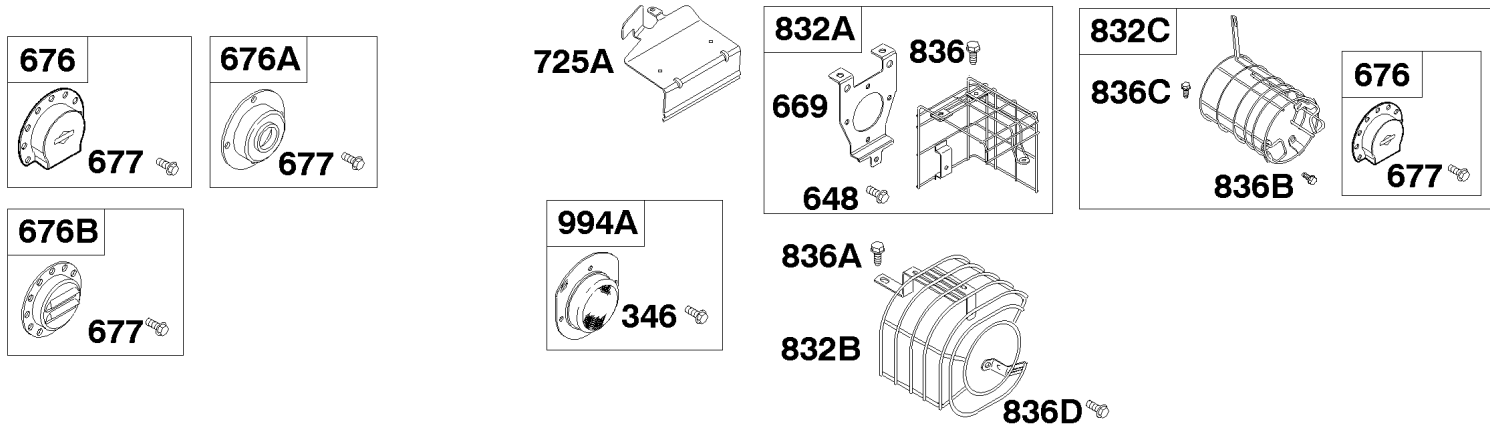
Assemblies include all parts shown in frames.

04/12/2012

Muffler Groups

REF NO	PART NO	QTY	DESCRIPTION
81	691729		LOCK, Muffler Screw
298	690453		LOCKNUT -(Muffler and Elbow)
300A	691969		MUFFLER -(Super Lo Tone)
300B	494585		MUFFLER
300C	390918S		MUFFLER -(Lo Tone)
300D	496892		MUFFLER -(Round Lo Tone)
303	94089		ELBOW, Exhaust -(45 Degree Street)
613	691351		SCREW -(Muffler)
613B	691632		SCREW -(Muffler)
613C	691665		SCREW -(Muffler)
613D	690810		SCREW -(Muffler)
676	796956		DEFLECTOR, Muffler
676A	395700		DEFLECTOR, Muffler -(Direct Outlet) (Direct Out)
677	690661		SCREW -(Muffler Deflector)
725A	690466		SHIELD, Heat -(Muffler)
883	692237		GASKET-EXHAUST
981	690408		BRACE, Muffler

135200 to 135299



REF. NO.	PART NO.	DESCRIPTION	REF. NO.	PART NO.	DESCRIPTION	REF. NO.	PART NO.	DESCRIPTION
346	690661	Screw (Spark Arrestor)	677	690661	Screw (Muffler Deflector)	836	691683	Screw (Muffler Guard)
648	691660	Screw (Muffler Guard Bracket)	725A	690440	Shield-Heat (Fuel Tank)	836A	690810	Screw (Muffler Guard)
669	690425	Bracket-Muffler Guard	832A	490534	Guard-Muffler (Super Lo Tone)	836B	690367	Screw (Muffler Guard)
676	393757	Deflector-Muffler (Side Out) (Deep)	832B	690625	Guard-Muffler (Lo Tone)	836C	691681	Screw (Muffler Guard)
		----- Note -----	832C	498257	Guard-Muffler (Round Lo Tone)	836D	690661	Screw (Muffler Guard)
		494423 Deflector-Muffler (Side Out) (Shallow)				994A	399541	Arrestor-Spark
		Used on Type No(s). 0029, 0167, 0190, 0225, 0248, 0276, 0767, 1029, 1276, 1167, 1190.						
676A	395700	Deflector-Muffler (Direct Out)						
676B	393758	Deflector-Muffler (Louvered)						

Engine Gasket Set-Reference 358
Carburetor Overhaul Kit-Reference 121

Valve Gasket Set-Reference 1095

2810-20

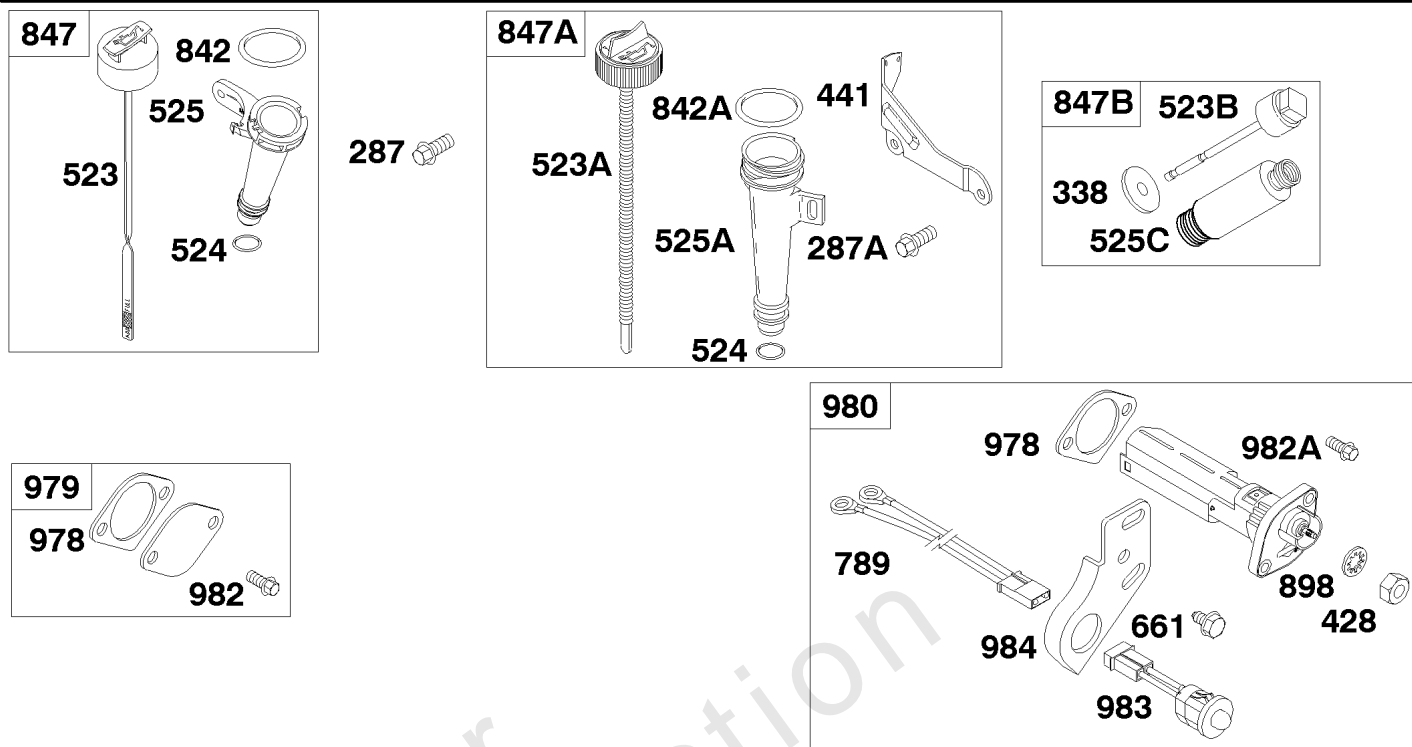
Assemblies include all parts shown in frames.

04/12/2012

Muffler Groups 2

REF NO	PART NO	QTY	DESCRIPTION
346	690661		SCREW -(Spark Arrestor)
648	691660		SCREW -(Muffler Guard Bracket)
669	690425		BRACKET, Muffler Guard
676	796956		DEFLECTOR, Muffler
676A	395700		DEFLECTOR, Muffler -(Direct Outlet) (Direct Out)
676B	393758		DEFLECTOR, Muffler -(Louvered Outlet) (Louvered)
677	690661		SCREW -(Muffler Deflector)
725A	690466		SHIELD, Heat -(Muffler)
832A	490534		GUARD, Muffler -(Super Lo Tone)
832C	498257		MUFFLER -(Round Lo Tone)
832B	690625		MUFFLER -(Lo Tone)
836	691683		SCREW -(Muffler Guard)
836A	690810		SCREW -(Muffler Guard)
836B	690367		SCREW -(Muffler Guard)
836D	690661		SCREW -(Muffler Guard)
836C	691681		SCREW -(Muffler Guard)
994A	399541		ARRESTOR, Spark

135200 to 135299



REF. NO.	PART NO.	DESCRIPTION	REF. NO.	PART NO.	DESCRIPTION	REF. NO.	PART NO.	DESCRIPTION
287		Screw (No Longer Available) (Dipstick Tube)	524	691876	Seal-Dipstick Tube	847	694381	Dipstick/Tube Assembly (Without Bracket) (Used After Code Date 99031400).
287A	691693	Screw (Dipstick Tube)	525	694379	Tube-Dipstick (31/32" ID Top) (Used After Code Date 99031400).	847A	691379	Dipstick/Tube Assembly (With Bracket) (Used Before Code Date 99031500).
338	690270	Gasket-Dipstick	525A	694531	Tube-Dipstick (1 1/64" ID Top) (Used Before Code Date 99031500).	847B	493955	Dipstick/Tube Assembly (Uses 691257 Dipstick Tube)
428	691612	Nut (OIL GARD®Kit)	525C	691257	Tube-Dipstick (Oil Filler Pipe Adapter) (3 1/8" Long)	898	691077	Washer (OIL GARD®Kit)
441	690448	Bracket-Oil Fill	661	690661	Screw (OIL GARD®Light Bracket)	978	273326	Gasket-OIL GARD®
523	499621	Dipstick (8 7/16" Flat Wire) (Used After Code Date 99031400).	789	398661	Harness-Wiring	979	691382	Cover-OIL GARD®
523A	691388	Dipstick (7 11/16" Spring) (Used Before Code Date 99031500).	842	691031	Seal-O Ring (Dipstick Tube) (Used After Code Date 99031400).	980	398182	Kit-OIL GARD®
523B	691942	Dipstick (4 13/16" Round Bar)	842A	691870	Seal-O Ring (Dipstick Tube) (Used Before Code Date 99031500).	982	690351	Screw (OIL GARD Cover)
		----- Note ----- 690777 Dipstick (8 11/16" Spring) Used on Type No(s). 0255, 0273, 0294, 0307, 0308, 1008, 1308.				982A	690350	Screw (OIL GARD Cover)
						983	398660	Light-Indicator
						984	692340	Bracket-OIL GARD®Light

Engine Gasket Set-Reference 358
Carburetor Overhaul Kit-Reference 121

Valve Gasket Set-Reference 1095

2810-27

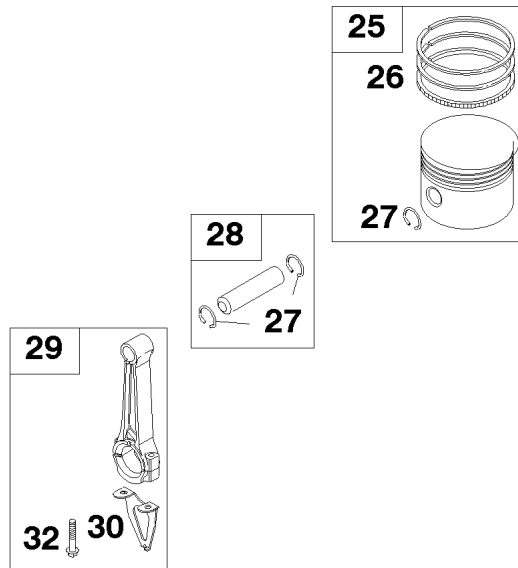
Assemblies include all parts shown in frames.

04/12/2012

Oil Group

REF NO	PART NO	QTY	DESCRIPTION
287	-----		Screw -(Dipstick Tube) (NO LONGER AVAILABLE)
287A	691693		SCREW -(Dipstick Tube)
338	690270		SEAL, O-Ring -(Dipstick Tube)
428	691612		NUT -(Oil GARD Kit)
441	690448		BRACKET-OIL FILL
523	499621		DIPSTICK -Used After Code Date 99031400
523A	691388		DIPSTICK -Used Before Code Date 99031500
523B	691942		DIPSTICK
524	691876		SEAL, O-Ring
525	694379		TUBE, Dipstick -(31/32 Inside Diameter Top) -Used After Code Date 99031400
525A	694531		TUBE, Dipstick -(1 1/64 Inside Diameter Top) -Used Before Code Date 99031500
525C	691257		TUBE, Dipstick -(Oil Filler Pipe Adapter)(3 1/8)
661	690661		SCREW -(Oil Gard Light Bracket)
789	398661		HARNESS, Wiring
842	691031		SEAL, O-Ring -(Dipstick Tube) -Used After Code Date 99031400
842A	691870		SEAL, O-Ring -(Dipstick Tube) -Used Before Code Date 99031500
847	694381		DIPSTICK/TUBE ASSEMBLY -(Without Bracket) -Used After Code Date 99031400
847A	691379		DIPSTICK/TUBE ASSY -(With Bracket) -Used Before Code Date 99031500
847B	493955		DIPSTICK/TUBE ASSEMBLY
898	691077		WASHER -(Oil GARD Kit)
978	273326S		GASKET-OIL GARD
979	691382		COVER, Oil Guard
980	398182		KIT, Oil Gard
982	690351		SCREW -(Oil GARD)
982A	690350		SCREW -(Oil GARD)
983	398660		LIGHT, Indicator
984	692340		BRACKET, Oil Guard Light

135200 to 135299



REF. NO.	PART NO.	DESCRIPTION	REF. NO.	PART NO.	DESCRIPTION	REF. NO.	PART NO.	DESCRIPTION
25	790908	Piston Assembly (Standard) (Used After Code Date 99011100). ----- Note ----- 298904 Piston Assembly (Standard) (Used Before Code Date 99011200). ----- 792532 Piston Assembly (.020" Oversize) (Used After Code Date 99011100). 298906 Piston Assembly (.020" Oversize) (Used Before Code Date 99011200). ----- 298907 Piston Assembly (.030" Oversize) (Used Before Code Date 99011200).	26	498680	Ring Set (Standard) (Used After Code Date 99011100). ----- Note ----- 298982 Ring Set (Standard) (Used Before Code Date 99011200). ----- 498682 Ring Set (.020" Oversize) (Used After Code Date 99011100). 298984 Ring Set (.020" Oversize) (Used Before Code Date 99011200). ----- 498683 Ring Set (.030" Oversize) (Used After Code Date 99011100).	27	691588	Lock-Piston Pin
						28	298909	Pin-Piston (Standard) ----- Note ----- 298908 Pin-Piston (.005" Oversize)
						29	299430	Rod-Connecting
						30	691759	Dipper-Connecting Rod
						32	691664	Screw (Connecting Rod)

Engine Gasket Set-Reference 358
Carburetor Overhaul Kit-Reference 121

Valve Gasket Set-Reference 1095

2810-4

Assemblies include all parts shown in frames.

04/12/2012

Piston/Rings/Connecting Rod

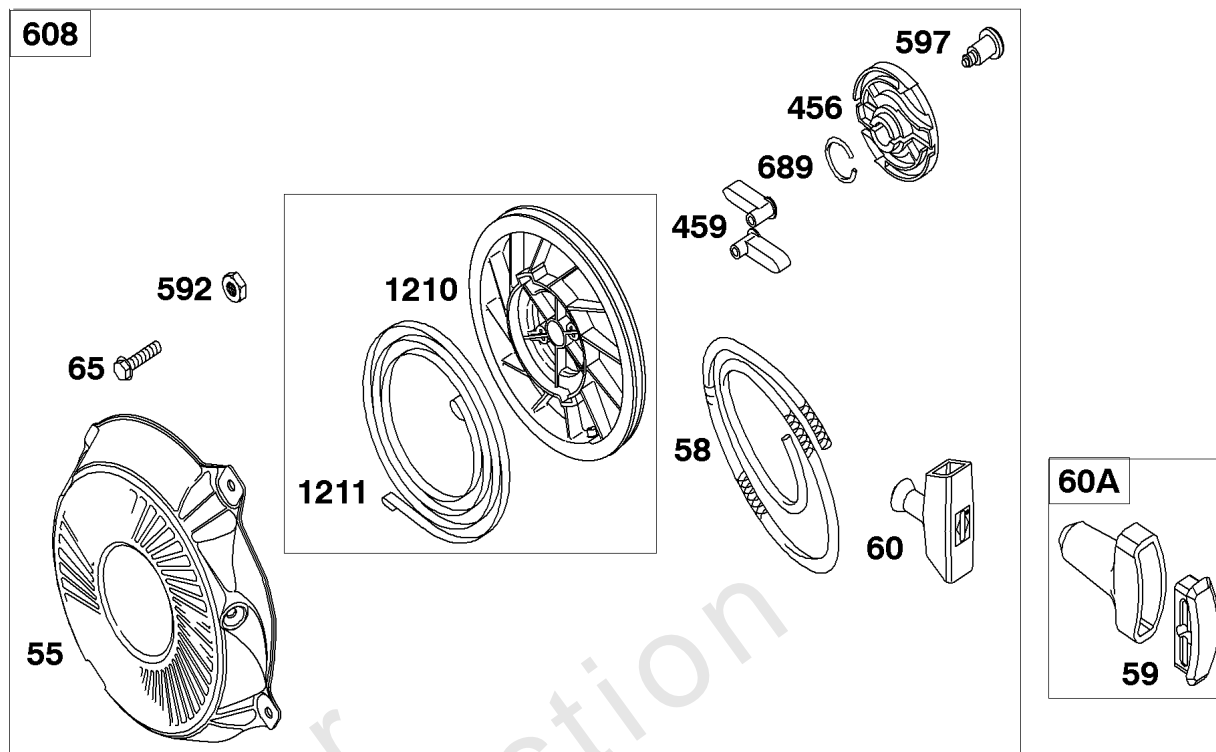
REF NO	PART NO	QTY	DESCRIPTION
25	298906		PISTON ASSEMBLY -(.020 Oversize) -Used Before Code Date 99011200
25	298907		PISTON ASSEMBLY -(.030 Oversize) -Used Before Code Date 99011200
25	793214		PISTON ASSEMBLY -(Standard)
26	298982		RING SET-STD -(Standard) -Used Before Code Date 99011200
26	298984		RING SET-020 -(.020 Oversize) -Used Before Code Date 99011200
26	498680		RING SET-STD -(Standard) -Used After Code Date 99011100
26	498682		SET, Ring -(.020 Oversize) -Used After Code Date 99011100
26	498683		SET, Ring -(.030 Oversize) -Used After Code Date 99011100
27	691588		LOCK, Piston Pin
28	298908		PIN, Piston -(.005 Oversize)
28	298909		PIN. Piston
29	299430		ROD, Connecting -(Standard)
30	691759		DIPPER-CONN ROD
32	691664		SCREW -(Connecting Rod)

Replacement Engine - US & Canada

REF NO	PART NO	QTY	DESCRIPTION
-----			No engine replacement. Repair engine with individual parts.
-----			Top No-Load Speed: 3600 -Trim: 01
-----			Service Note: For all Go-Karts use only a Model 136200 series engine as a replacement, regardless of the original Model.

Not For Reproduction

135200 to 135299



REF. NO.	PART NO.	DESCRIPTION	REF. NO.	PART NO.	DESCRIPTION	REF. NO.	PART NO.	DESCRIPTION
55	691422	Housing-Rewind Starter	65	690837	Screw (Rewind Starter)	689C	691855	Spring-Friction (Ratchet Pawl)
58	691921	Rope-Starter (Cut To Required Length)	456	692299	Plate-Pawl Friction	1210	498144	Pulley/Spring Assembly (Pulley)
59	396892	Insert-Grip	459	281505	Pawl-Ratchet	1211	498144	Pulley/Spring Assembly (Spring)
60	691915	Grip-Starter Rope (1 Piece)	592	690800	Nut (Rewind Starter)			
60A	393152	Grip-Starter Rope (2 Piece)	597	691696	Screw (Pawl Friction Plate)			
			608	497830	Starter-Rewind			

Engine Gasket Set-Reference 358
Carburetor Overhaul Kit-Reference 121

Valve Gasket Set-Reference 1095

2810-23

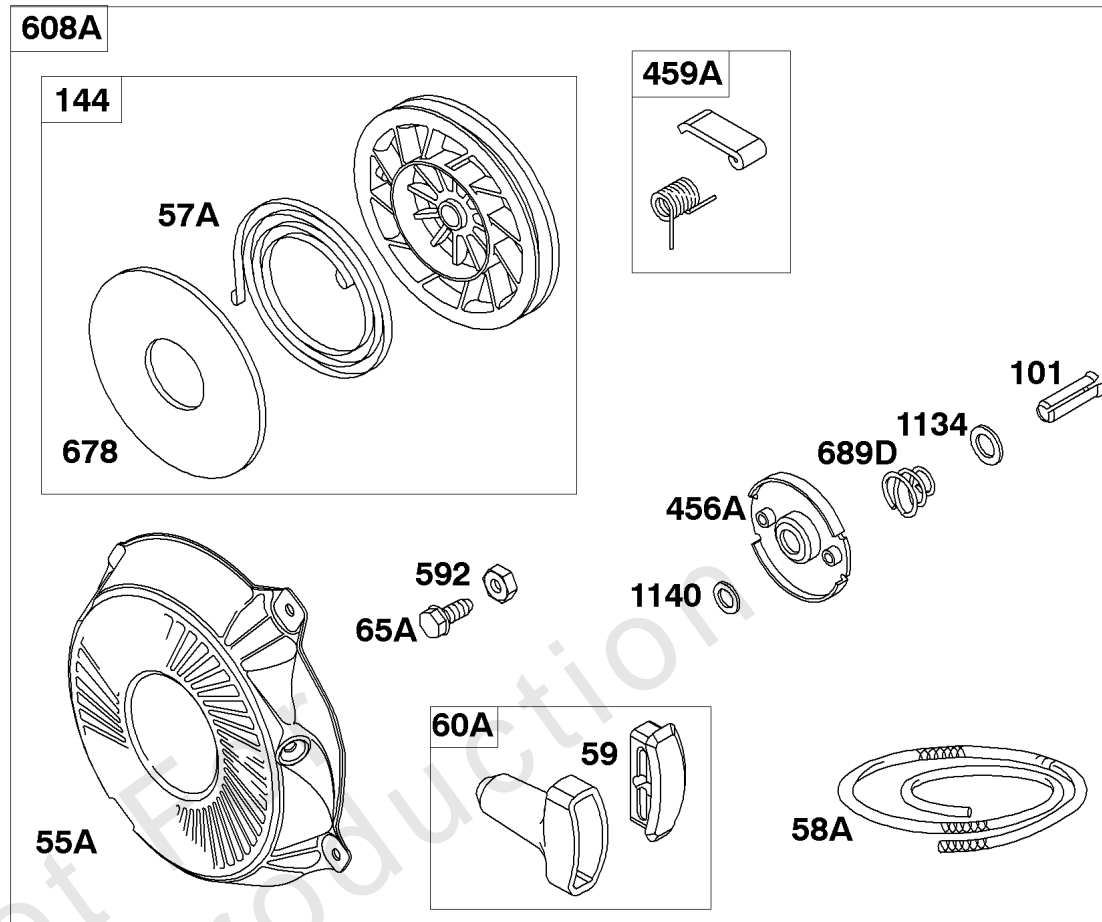
Assemblies include all parts shown in frames.

04/12/2012

Rewind Group

REF NO	PART NO	QTY	DESCRIPTION
55	691422		HOUSING, Rewind Starter
58	691921		ROPE, Starter -(72)(Cut To Required Length)
59	396892		INSERT-GRIP
60	691915		GRIP, Starter Rope -(1 Piece)
60A	393152		GRIP-STARTER ROPE -(2 Piece)
65	690837		SCREW -(Rewind Starter)
456	692299		PLATE-PAWL FRICTION
459	281505S		PAWL-RATCHET
592	690800		NUT -(Rewind Starter)
597	691696		SCREW -(Pawl Friction Plate)
608	497830		HOUSING, Rewind Starter
689	691783		SPRING-FRICTION -(Idle Speed Adjusting Only)
1210	498144		PULLEY/SPRING ASSY -(Pulley)
1211	498144		PULLEY/SPRING ASSY -(Spring)

135200 to 135299



REF. NO.	PART NO.	DESCRIPTION	REF. NO.	PART NO.	DESCRIPTION	REF. NO.	PART NO.	DESCRIPTION
55A		Housing- Rewind Starter (For Complete Rewind Starter Housing Service, See Ref 608, Previous Page)	60A	393152	Grip-Starter Rope	608A		Starter-Rewind (For Complete Rewind Starter Service, See Ref 608, Previous Page)
57A	491889	Rewind Starter Spring	65A	94686	Screw (Rewind Starter)	678	224278	Rewind Spacer
58A	280406	Starter Rope (Cut To Required Length)	101	262626	Shaft Pin	689D	262625	Friction Spring
59	396892	Insert-Grip	144	493824	Starter Pulley	1134	498144	Washer (Pawl Friction Plate)
			456A	224321	Plate-Pawl Friction	1140	280973	Washer (Rewind Starter)
			459A	492833	Pawl-Ratchet (Rewind Starter)			
			592	690800	Nut (Rewind Starter)			

Engine Gasket Set-Reference 358
Carburetor Overhaul Kit-Reference 121

Valve Gasket Set-Reference 1095

2810-24

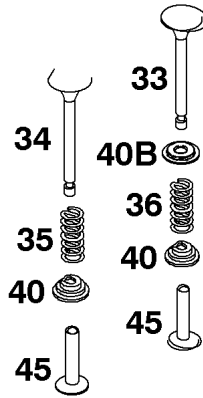
Assemblies include all parts shown in frames.

04/12/2012

Rewind Group 2

REF NO	PART NO	QTY	DESCRIPTION
55A	-----		Housing-Rewind Starter -(For Complete Rewind Starter Housing Service, See Ref 608, PreviousPage)
57A	491889		SPRING, Rewind Starter
58A	280406S		ROPE, Starter -(Cut To Required Length)
59	396892		INSERT-GRIP
60A	393152		GRIP-STARTER ROPE -(2 Piece)
65A	690759		SCREW -(Rewind Starter) (Rewind Starter)
101	262626		PIN, Starter Grip
144	493824		PULLEY/SPRING ASSEMBLY -(Pulley)
456A	224321		PLATE, Pawl Friction
459A	492833		SPRING, Ratchet
592	690800		NUT -(Rewind Starter)
608A	-----		Starter-Rewind -(For Complete Rewind Starter Service, See Ref 608, Previous Page)
678	224278		SPACER -(Rewind)
689D	262625		SPRING, Friction -(Pawl Friction Plate)
1134	224322		WASHER -(Pawl Friction Plate)
1140	280973		WASHER -(Rewind Starter)

135200 to 135299



REF. NO.	PART NO.	DESCRIPTION	REF. NO.	PART NO.	DESCRIPTION	REF. NO.	PART NO.	DESCRIPTION
33	211119s	Valve-Exhaust	35	690520	Spring-Valve (Intake)	40	692194	Retainer-Valve
34	261044s	Valve-Intake	36	692180	Spring-Valve (Exhaust)	40B	691760	Retainer-Valve (Exhaust)
						45	690509	Tappet-Valve

Engine Gasket Set-Reference 358
Carburetor Overhaul Kit-Reference 121

Valve Gasket Set-Reference 1095

2810-5

Assemblies include all parts shown in frames.

04/12/2012

Valve Group

REF NO	PART NO	QTY	DESCRIPTION
33	211119S		VALVE-EXHAUST
34	261044S		VALVE-INTAKE
35	690520		SPRING-VALVE -(Intake)
36	692180		SPRING-VALVE -(Exhaust)
40	692194		RETAINER, Valve
40B	691760		RETAINER-VALVE -(Exhaust)
45	690509		TAPPET, Valve

Not For Reproduction

