

零件手册

制造编号: 135292-0194-04



模型组件	页
凸轮轴.....	4
化油器组2.....	6
化油器组件.....	8
化油器集团.....	10
套件/垫圈套件 - 化油器.....	12
套件/垫片组 - 发动机.....	14
套件/垫片组 - 阀门.....	16
导风罩.....	18
控制.....	20
控制2.....	22
曲轴.....	26
曲轴箱盖/油底壳.....	28
曲轴箱盖/油底壳2.....	30
替代发动机-美国和加拿大.....	32
油箱组.....	33
活塞/环/连杆.....	35
消音器组.....	37
消音器组2.....	39
电动.....	41
电启动器.....	43
石油集团.....	45
空气滤清器组件.....	47
缸体组件.....	49
缸体组类型编号.....	51
自绕回弹组.....	53
自绕回弹组2.....	55
调速弹簧.....	57
阀门集团.....	59
飞轮, 旋转屏.....	61
齿轮减速组/ 雪罩.....	63

135200 to 135299



REF. NO.	PART NO.	DESCRIPTION	REF. NO.	PART NO.	DESCRIPTION	REF. NO.	PART NO.	DESCRIPTION
46	691164	Camshaft (Used After Code Date 96112400). ----- Note ----- 691166 Camshaft (Used After Code Date 96112400). Used on Type No(s). 0173, 0214, 0309, 0611, 0670, 0671, 0728, 0757, 0758, 0780, 1011, 1070, 1071, 1128, 1154, 1157, 1158, 1169, 1180, 1194, 1232, 1261, 1265, 1309, 1310, 1320, 1324, 1336, 1337, 1338, 1343.			691166 Camshaft (Used Before Code Date 96112500). Used on Type No(s). 0070, 0071, 0108, 0120, 0121, 0124, 0141, 0154, 0157, 0158, 0169, 0174, 0180, 0182, 0194, 0198, 0202, 0203, 0204, 0205, 0206, 0207, 0209, 0216, 0232, 0236, 0254, 0260, 0265, 0269, 0295, 0309, 0310, 0320, 0322, 0324, 0611, 0670, 0671, 0757, 0758, 0780. 692526 Camshaft (Used Before Code Date 96112500). Used on Type No(s). 0173, 0214.	219	494845	Gear-Governor ----- Note ----- 391737 Gear-Governor (Used Before Code Date 91061000).
						220	691724	Washer (Governor Gear)

Engine Gasket Set-Reference 358
Carburetor Overhaul Kit-Reference 121

Valve Gasket Set-Reference 1095

2810-9

Assemblies include all parts shown in frames.

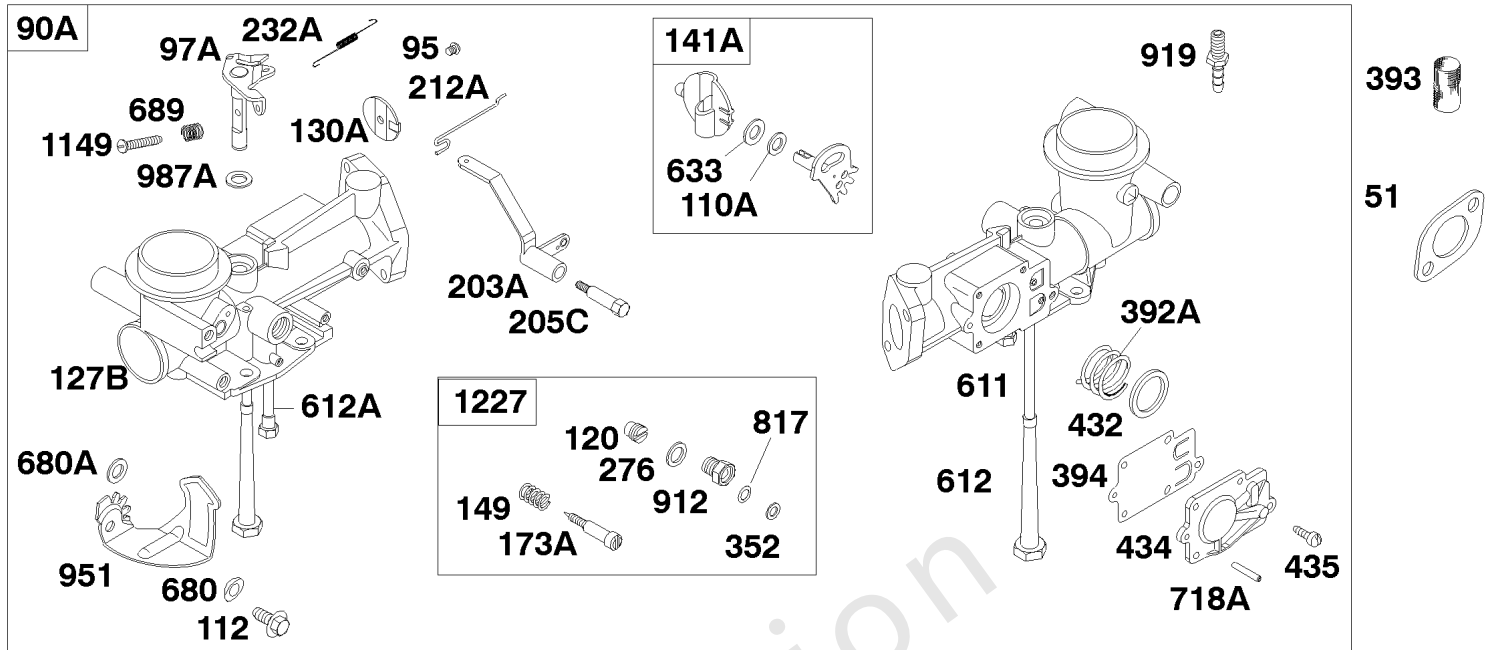
04/12/2012

凸轮轴

参考编号	零件号	数量	描述
46	691166		凸轮轴 -在代码日期96112500 -之前使用
219	391737		调速, 齿轮 -在代码日期91061000 -之前使用
219	494845		调速, 齿轮 -在代码日期91060900 -之后使用
220	691724		垫圈 - (调速齿轮)

Not For Reproduction

135200 to 135299



REF. NO.	PART NO.	DESCRIPTION	REF. NO.	PART NO.	DESCRIPTION	REF. NO.	PART NO.	DESCRIPTION
51	27355	Gasket-Intake Used on Type No(s). 0299, 1101, 1012, 1309.	205C	691630	Screw (Steel, Long)	680	691089	Washer (Felt) (Choke Shaft)
90A	397135	Carburetor Used on Type No(s). 1011, 1012.	212A	691786	Link-Throttle (Bell Crank) Used on Type No(s). 0299, 1101, 1012, 1309.	680A	691607	Washer (Choke Lever) (Spring)
		----- Note ----- 299437 Carburetor Used on Type No(s). 0299.	232A	690498	Spring-Governor Link Used on Type No(s). 0299, 1101, 1012, 1309.	689	691783	Spring-Friction (6 Coil, Closed Ends, Idle Screw)
		498298 Carburetor Used on Type No(s). 1309.	276	691608	Washer-Sealing	718A	690296	Pin-Locating (Pump Cover)
95	691437	Screw (Throttle Valve)	352	690257	Washer (High Speed Valve)	817	691606	Seal-O Ring (High Speed Valve)
97A	691946	Shaft-Throttle Used on Type No(s). 0299, 1101, 1012, 1309.	392A	692206	Spring-Pump Diaphragm	912	690504	Nut-Needle Valve
110A	690401	Washer (Choke Shaft) (Brass)	393	691213	Screen-Carburetor	919	692783	Connector-Vacuum Tube
112	691091	Screw (Choke Lever)	394	272538	Diaphragm-Carburetor (Pump)	951	691180	Lever-Choke
120	692134	Seat-Needle Valve	432	690766	Cap-Spring	987A	692279	Seal-Throttle Shaft (Felt)
127B	691585	Plug-Welch	434	691713	Cover-Diaphragm			----- Note ----- 270167 Seal-Throttle Shaft (Felt) Used on Type No(s). 0299.
130A	211203	Valve-Throttle	435	691619	Screw (Diaphragm Cover)	1149	691624	Screw (Throttle Shaft) (Idle Speed Adjusting Only)
141A	397134	Kit-Choke Shaft	611	691770	Pipe-Fuel	1227	299060	Valve-High Speed
149	691592	Spring-Needle Valve	612	391813	Tube-Pick Up (Uses Clip Spring)			
173A	690266	Valve-Idle Mixture (Main)	612A	497413	Tube-Pick Up (Uses Spiral Pin)			
203A	691965	Crank-Bell	633	691869	Seal-Choke/Throttle Shaft			

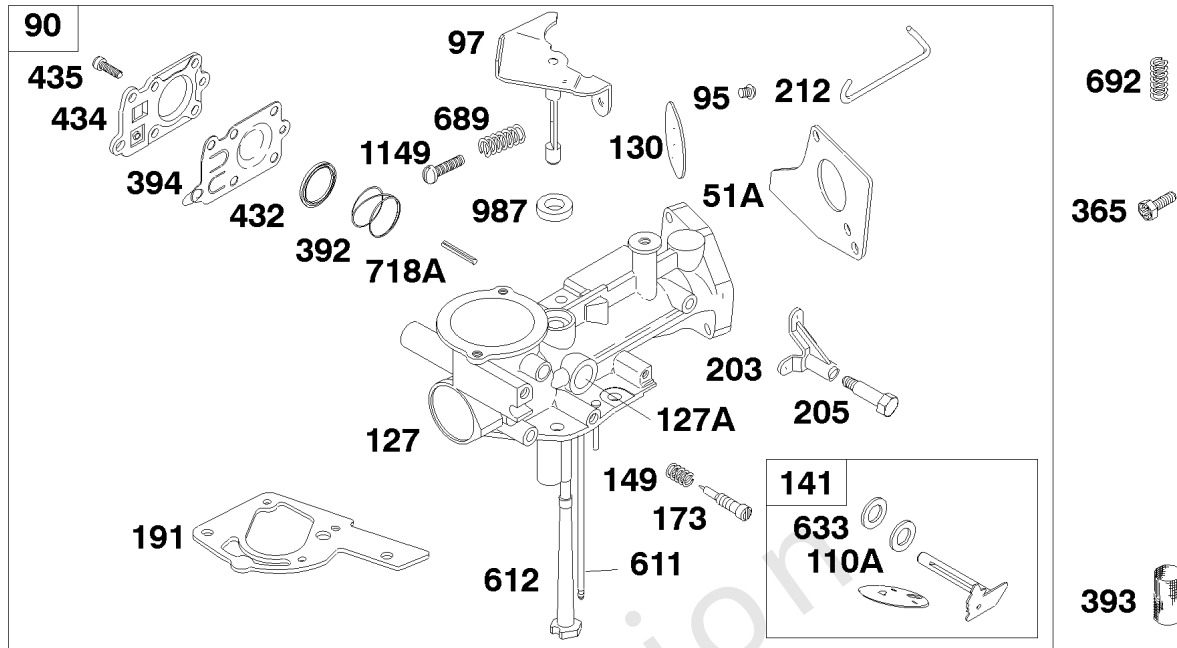
Engine Gasket Set-Reference 358
Carburetor Overhaul Kit-Reference 121

Valve Gasket Set-Reference 1095

化油器组2

参考编号	零件号	数量	描述
51	273113S		垫片, 进气管
95	691437		拧 - (节气门)
110A	690401		垫圈 - (阻风门) (黄铜)
112	691091		拧 - (阻风门杠杆)
120	692134		SEAT-NEEDLE VALVE
127B	691585		PLUG-WELCH
130A	211203		阀门, 节气门
141A	397134		套件, 阻风门 轴
149	691592		SPRING-NEEDLE VALVE
173A	690266		VALVE-IDLE MIXTURE - (主要)
203A	691965		曲柄, 贝尔 - (钢) ()
203A	691744		曲柄, 贝尔 - (钢)
205C	691630		拧 - (曲柄)
232A	690498		SPRING-GOVERNOR LINK
276	691608		垫片用密封
352	690257		垫圈 - (高速阀门)
393	691213		屏, 化油器
394	272538S		隔膜, 化油器
432	690766		CAP-SPRING
434	691713		COVER-DIAPHRAGM
435	691619		拧 - (隔膜盖)
611	691770		PIPE-FUEL
612	391813		TUBE-PICK UP - (使用弹簧 夹子)
612A	497413S		TUBE-PICK UP - (使用螺旋针) (1/4)
633	691869		密封, 阻风门/节气门轴
680	691089		垫圈 - (阻风门杠杆) (弹簧)
680A	691607		垫圈 - (阻风门杠杆) (平垫圈)
689	691783		Spring-Friction - (仅怠速调整)
718A	690296		PIN-LOCATING - (泵盖)
817	691606		O型密封圈 - (高速阀门)
912	690504		NUT-NEEDLE VALVE
919	692783		连接器, 真空管
951	690436		杠杆, 阻风门
951	691180		杠杆, 阻风门
987A	692279		Seal-Throttle Shaft - (毛毡) (5/8)
1149	691624		拧 - (节气门轴) (仅限怠速调节)
1227	299060		阀门, 高速 - (螺纹)

135200 to 135299



REF. NO.	PART NO.	DESCRIPTION	REF. NO.	PART NO.	DESCRIPTION	REF. NO.	PART NO.	DESCRIPTION
51A	273113	Gasket-Intake	191	692241	Gasket-Fuel Tank	633	691869	Seal-Choke/Throttle Shaft
90		Carburetor (See Previous Page)	203	691906	Crank-Bell (Standard, Nylon)			Shaft (Choke Shaft) (Felt)
95	691437	Screw (Throttle Valve)	205	691776	Screw (Bell Crank)	689	691783	Spring-Friction (Idle Screw)
97	692325	Shaft-Throttle	212	691812	Link-Throttle	692	690572	Spring-Detent (Used On Part 498298 Carburetor)
110A	690401	Washer (Choke Shaft) (Brass)	365	690953	Screw (Carburetor)	718A	690296	Pin-Locating (Pump Cover)
127	691718	Plug-Welch	392	691823	Spring-Pump Diaphragm	987	695273	Seal-Throttle Shaft (Foam)
127A	691742	Plug-Welch	393	691213	Screen-Carburetor	1149	691624	Screw (Throttle Shaft) (Idle Speed Adjusting Only)
130	691743	Valve-Throttle	394	272538	Diaphragm-Carburetor			
141	497230	Kit-Choke Shaft (Used After Code Date 94083100). ----- Note ----- 491177 Kit-Choke Shaft (Used Before Code Date 94090100).	432	690766	Cap-Spring			
149	691592	Spring-Needle Valve	434	691713	Cover-Diaphragm			
173	691777	Valve-Idle Mixture (Idle)	435	691619	Screw (Diaphragm Cover)			
			611	691770	Pipe-Fuel			
			612	391813	Tube-Pick Up (Uses Clip Spring) ----- Note ----- 297219 Tube-Pick Up (Uses Spiral Pin) Used on Type No(s). 0214.			

Engine Gasket Set-Reference 358
Carburetor Overhaul Kit-Reference 121

Valve Gasket Set-Reference 1095

2810-11

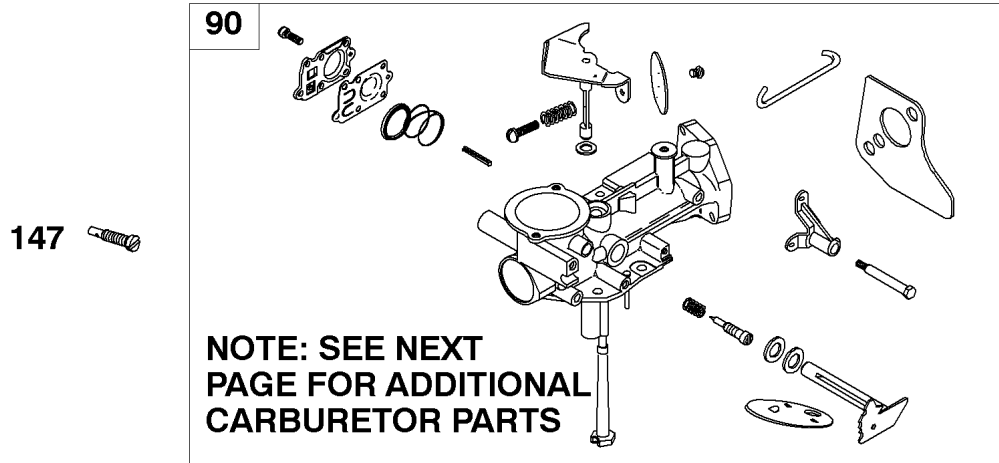
Assemblies include all parts shown in frames.

04/12/2012

化油器组件

参考编号	零件号	数量	描述
90	498298		化油器
95	691437		拧 - (节气门)
97	692325		轴, 油门
110A	690401		垫圈 - (阻风门) (黄铜)
127	691718		塞, 韦尔奇
127A	691742		塞, 韦尔奇
130	691743		阀门, 节气门
141	497230		套件, 阻风门 轴 - 在代码日期94083100 - 之后使用
149	691592		SPRING-NEEDLE VALVE
173	691777		阀门, 空闲混合物
191	692241		垫片, 油箱
203	691906		曲柄, 贝尔 - (标准) (尼龙)
205	691776		拧 - (Bell Crank)
212	691812		连接, 节气门
365	690953		拧 - (化油器/节气门体)
392	691823		弹簧, 泵隔膜
393	691213		屏, 化油器
394	272538S		隔膜, 化油器
432	690766		CAP-SPRING
434	691713		COVER-DIAPHRAGM
435	691619		拧 - (隔膜盖)
611	691770		PIPE-FUEL
612	391813		TUBE-PICK UP - (使用弹簧 夹子)
633	691869		密封, 阻风门/节气门轴
689	691783		Spring-Friction - (仅怠速调整)
692	690572		弹簧, 骑兵 - (用于第498298部分化油器)
718A	690296		PIN-LOCATING - (泵盖)
987	695273		密封, 阻风门/节气门轴 - (泡沫)
1149	691624		拧 - (节气门轴) (仅限怠速调节)

135200 to 135299



REF. NO.	PART NO.	DESCRIPTION	REF. NO.	PART NO.	DESCRIPTION	REF. NO.	PART NO.	DESCRIPTION
90	498298	Carburetor ----- Note ----- 495951 Carburetor Used on Type No(s). 0185, 0263. 495425 Carburetor Used on Type No(s). 0214. 498298 Carburetor Used on Type No(s). 0309, 0603, 0607, 0611, 0615, 0616, 0620, 0623, 0625, 0626, 0635, 0636, 0638, 0649, 0660, 0670, 0671, 0679, 0700, 0702, 0704, 0717, 0706, 0727, 0728, 0729, 0730, 0740, 0747, 0752, 0757, 0758, 0759, 0762, 0767, 0772, 0779, 0780, 0784, 0788, 0790, 0814, 0815, 0913, 1003, 1004, 1005, 1007, 1008, 1009, 1011, 1019, 1020, 1023, 1025, 1027, 1029, 1035, 1036, 1049, 1050, 1060, 1070, 1071, 1073, 1079, 1080, 1084, 1105, 1106, 1119, 1127, 1128, 1129, 1139, 1140, 1142, 1143, 1146, 1147, 1153, 1154, 1157, 1158,			1159, 1161, 1167, 1169, 1171, 1173, 1179, 1180, 1190, 1194, 1196, 1197, 1200, 1215, 1216, 1217, 1219, 1223, 1231, 1232, 1238, 1242, 1245, 1246, 1250, 1258, 1259, 1261, 1268, 1271, 1276, 1281, 1283, 1284, 1288, 1289, 1289, 1299, 1301, 1304, 1308, 1310, 1313, 1314, 1315, 1317, 1318, 1320, 1324, 1326, 1328, 1329, 1330, 1333, 1336, 1337, 1338, 1340, 1342, 1343, 1345.			0788, 0790, 0814, 0815, 0913, 1003, 1004, 1005, 1007, 1008, 1009, 1011, 1019, 1020, 1023, 1025, 1027, 1029, 1035, 1036, 1049, 1050, 1060, 1070, 1071, 1073, 1079, 1080, 1084, 1105, 1106, 1119, 1127, 1128, 1129, 1139, 1140, 1142, 1143, 1146, 1147, 1153, 1154, 1157, 1158,
			147	691250	Jet-Pilot (Standard) Used on Type No(s). 0309, 0603, 0607, 0611, 0615, 0616, 0620, 0623, 0625, 0626, 0635, 0636, 0638, 0649, 0660, 0670, 0671, 0679, 0700, 0702, 0704, 0717, 0706, 0727, 0728, 0729, 0730, 0740, 0747, 0752, 0757, 0758, 0759, 0762, 0767, 0772, 0779, 0780, 0784,			1217, 1219, 1223, 1231, 1232, 1238, 1242, 1245, 1246, 1250, 1258, 1259, 1261, 1268, 1271, 1276, 1281, 1283, 1284, 1288, 1289, 1289, 1299, 1301, 1304, 1308, 1313, 1314, 1315, 1317, 1318, 1320, 1324, 1326, 1328, 1329, 1330, 1333, 1336, 1337, 1338, 1340, 1342, 1343. 692725 Jet-Pilot (High Altitude)

Engine Gasket Set-Reference 358
Carburetor Overhaul Kit-Reference 121

Valve Gasket Set-Reference 1095

2810-10

Assemblies include all parts shown in frames.

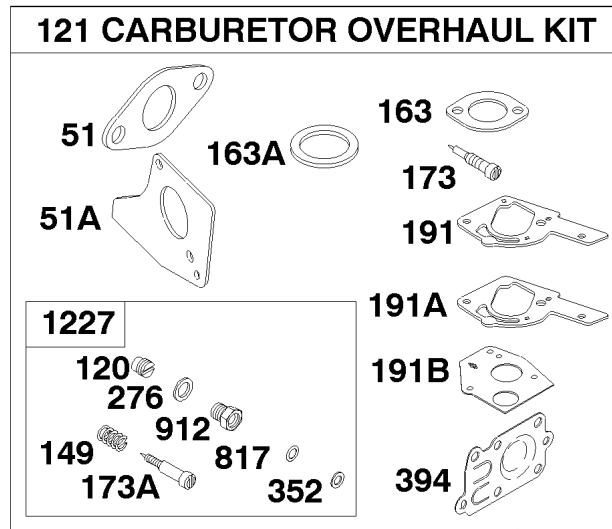
04/12/2012

化油器集团

参考编号	零件号	数量	描述
90	498298		化油器
147	692725		喷嘴, 引导

Not For Reproduction

135200 to 135299



REF. NO.	PART NO.	DESCRIPTION	REF. NO.	PART NO.	DESCRIPTION	REF. NO.	PART NO.	DESCRIPTION
51	27355	Gasket-Intake Used on Type No(s). 0299, 1101, 1012, 1309.	173	691777	Valve-Idle Mixture (Idle)	394	272538	Diaphragm-Carburetor (Pump)
51A	273113	Gasket-Intake	173A	690266	Valve-Idle Mixture (Main)	817	691606	Seal-O Ring (High Speed Valve)
120	692134	Seat-Needle Valve	191	692241	Gasket-Fuel Tank	912	690504	Nut-Needle Valve
121	495606	Kit-Carburetor Overhaul	191A	272996	Gasket-Fuel Tank	1227	299060	Valve-High Speed
149	691592	Spring-Needle Valve	191B	272409	Gasket-Fuel Tank Used on Type No(s). 0299, 1011, 1012.			
163	271935	Gasket-Air Cleaner (Standard, Oval)	276	691608	Washer-Sealing			
163A	271139	Gasket-Air Cleaner (1 5/8" O.D. Round)	352	690257	Washer (High Speed Valve)			

Engine Gasket Set-Reference 358
Carburetor Overhaul Kit-Reference 121

Valve Gasket Set-Reference 1095

2810-29

Assemblies include all parts shown in frames.

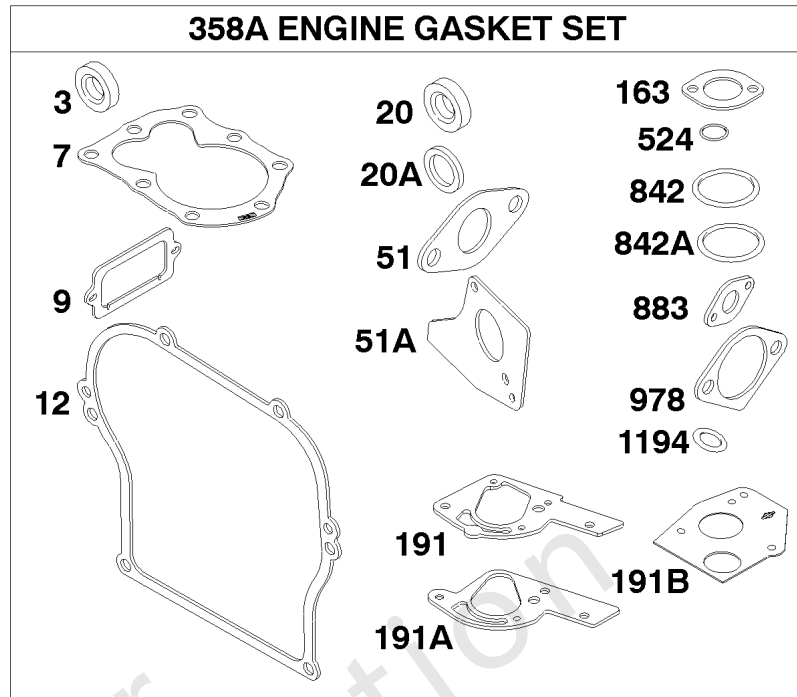
04/12/2012

套件/垫圈套件 - 化油器

参考编号	零件号	数量	描述
51	273113S		垫片, 进气管
120	692134		SEAT-NEEDLE VALVE
121	495606		套件, 化油器大修
149	691592		SPRING-NEEDLE VALVE
163	271935S		垫片, 空气滤清器 - (标准) (椭圆形)
163A	271139S		垫片, 空气滤清器 - (1 5/8外径)
173	691777		阀门, 空闲混合物
173A	690266		VALVE-IDLE MIXTURE - (主要)
191	692241		垫片, 油箱
191A	272996		垫片, 油箱
276	691608		垫片用密封
352	690257		垫圈 - (高速阀门)
394	272538S		隔膜, 化油器
817	691606		O型密封圈 - (高速阀门)
912	690504		NUT-NEEDLE VALVE
1227	299060		阀门, 高速 - (螺纹)

135200 to 135299

1330 REPAIR MANUAL



REF. NO.	PART NO.	DESCRIPTION	REF. NO.	PART NO.	DESCRIPTION	REF. NO.	PART NO.	DESCRIPTION
3	299819	Seal-Oil (Magneto Side)	51	27355	Gasket-Intake Used on Type No(s). 0299, 1101, 1012, 1309.	842	691031	Seal-O Ring (Dipstick Tube) (Used After Code Date 99031400).
7	272157	Gasket-Cylinder Head	51A	273113	Gasket-Intake	842A	691870	Seal-O Ring (Dipstick Tube) (Used Before Code Date 99031500).
9	27549	Gasket-Breather	163	271935	Gasket-Air Cleaner (Standard, Oval)	883	692237	Gasket-Exhaust
12	692213	Gasket-Crankcase (Standard)	191	692241	Gasket-Fuel Tank	978	273326	Gasket-OIL GARD®
		----- Note -----	191A	272996	Gasket-Fuel Tank	1194	691876	Seal-O Ring (Plug)
		270125 Gasket-Crankcase (.005" Thick)	191B	272409	Gasket-Fuel Tank Used on Type No(s). 0299, 1011, 1012.	1330	270962	Repair Manual
		270126 Gasket-Crankcase (.009" Thick)	358A	495603	Gasket Set-Engine			
20	495307	Seal-Oil (PTO Side)	524	691876	Seal-Dipstick Tube			
20A	299819	Seal-Oil (PTO Side)						

Engine Gasket Set-Reference 358
Carburetor Overhaul Kit-Reference 121

Valve Gasket Set-Reference 1095

2810-28

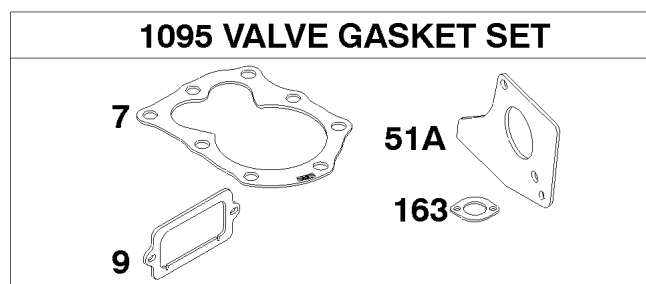
Assemblies include all parts shown in frames.

04/12/2012

套件/垫片组 - 发动机

参考编号	零件号	数量	描述
3	299819S		海豹油 - (磁铁侧)
7	272157S		Gasket-Cylinder Head
9	27549S		垫片, 呼吸器
12	270125		垫片, 曲轴箱盖 -(.005)
12	270126		GASKET-CRKCSE/009 -(.009)
12	692213		垫片, 曲轴箱盖 - (标准)
20	294606S		海豹油 - (PTO侧) (PTO侧) (1-3 / 8外径带弹簧)
20	691952		海豹油 - (PTO侧) (辅助动力输出) (1外径带弹簧)
51	273113S		垫片, 进气管
163	271935S		垫片, 空气滤清器 - (标准) (椭圆形)
191	692241		垫片, 油箱
191A	272996		垫片, 油箱
358A	495603		垫片包, 发动机
524	691876		密封圈, O形圈
842	691031		密封圈, O形圈 - (试纸管) 代码日期99031400后使用
842A	691870		密封圈, O形圈 - (试纸管) 在代码日期99031500 -之前使用
883	692237		Gasket-Exhaust
978	273326S		GASKET-OIL GARD
1194	691876		密封圈, O形圈 - (插头)

135200 to 135299



REF. NO.	PART NO.	DESCRIPTION	REF. NO.	PART NO.	DESCRIPTION	REF. NO.	PART NO.	DESCRIPTION
7	272157	Gasket-Cylinder Head	51A	273113	Gasket-Intake	1095	498529	Gasket Set-Valve
9	27549	Gasket-Breather	163	271935	Gasket-Air Cleaner (Standard, Oval)			

Engine Gasket Set-Reference 358
Carburetor Overhaul Kit-Reference 121

Valve Gasket Set-Reference 1095

2810-30

Assemblies include all parts shown in frames.

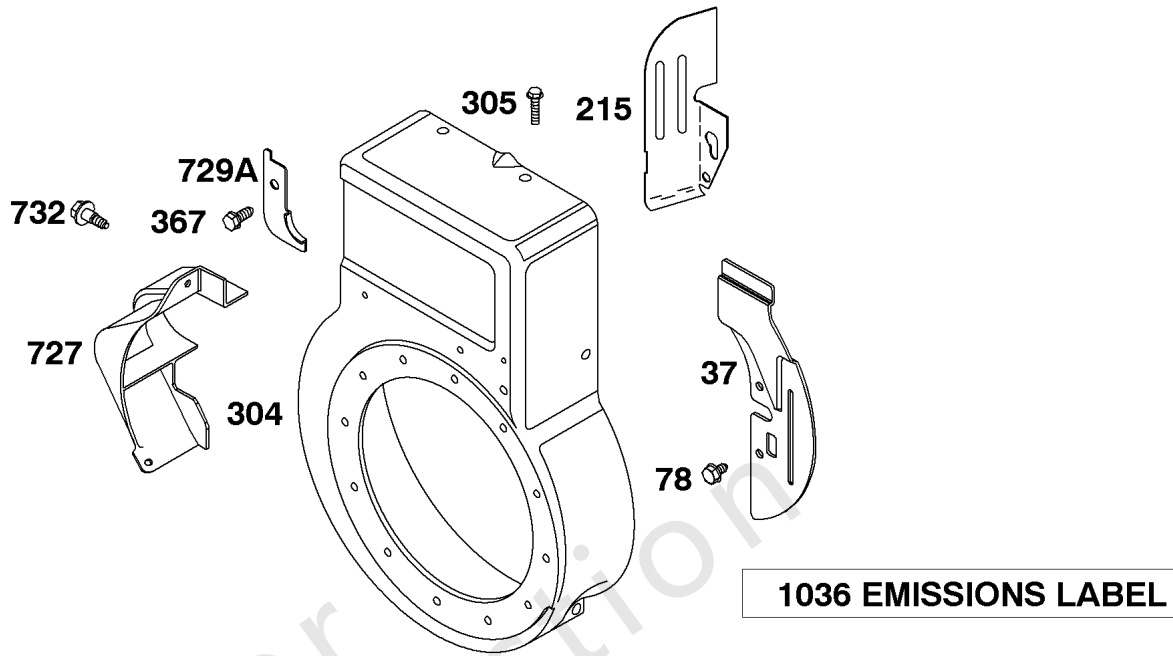
04/12/2012

套件/垫片组 - 阀门

参考编号	零件号	数量	描述
7	272157S		Gasket-Cylinder Head
9	27549S		垫片, 呼吸器
163	271935S		垫片, 空气滤清器 - (标准) (椭圆形)
1095	498529		垫片包, 阀门

Not For Reproduction

135200 to 135299



REF. NO.	PART NO.	DESCRIPTION	REF. NO.	PART NO.	DESCRIPTION	REF. NO.	PART NO.	DESCRIPTION
37	691732	Guard-Flywheel	305	692198	Screw (Blower Housing)	729A	690471	Clip-Wire (Steel)
78	691660	Screw (Flywheel Guard)	367	691660	Screw (Wire Clip)	732	691097	Screw (Starter Drive Cover)
215	691745	Guide-Air (Rewind Start)	727	690600	Cover-Starter Drive	1036		Label-Emission (Available from A Briggs & Stratton Authorized Dealer)
		----- Note -----						
		690472 Guide-Air (Electric Start)						
304	495759	Housing-Blower						

Engine Gasket Set-Reference 358
Carburetor Overhaul Kit-Reference 121

Valve Gasket Set-Reference 1095

2810-22

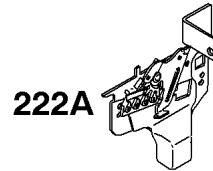
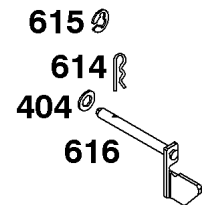
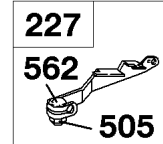
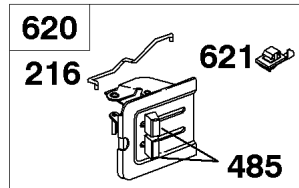
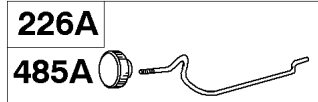
Assemblies include all parts shown in frames.

04/12/2012

导风罩

参考编号	零件号	数量	描述
37	691732		Guard-Flywheel
78	691660		拧 - (飞轮护罩)
215	690472		指南, 空气
215	691745		GUIDE-AIR - (启动拉盘)
304	495759		Housing-Blower
305	692198		拧 - (导风罩房)
367	691660		拧 - (线夹)
727	690600		盖, 启动 驱动
729A	690471		夹子, 线
732	691097		拧 - (入门驱动器盖)
1036	-----		Label-Emissions - (可从百力通授权经销商处获得)

135200 to 135299



REF. NO.	PART NO.	DESCRIPTION	REF. NO.	PART NO.	DESCRIPTION	REF. NO.	PART NO.	DESCRIPTION
216	691824	Link-Choke (Manual)	404	691691	Washer (Governor Crank)	614	691620	Pin-Cotter
222A	690816	Bracket-Control (Gear and Rack) Used on Type No(s). 0214.	485	692295	Knob-Control (Slide)	615	93307	Retainer-E Ring
226A	399109	Rod-Hand Choke (Rod Assembly)	485A	391908	Knob-Control	616	692016	Crank-Governor
227	690653	Lever-Governor Control	505	691251	Nut (Governor Control Lever)	620	490649	Bracket-Control (Panel)
		----- Note -----	562	691119	Bolt (Governor Control Lever) (Round)	621	692310	Switch-Stop
		692357 Lever-Governor Control Used on Type No(s). 0299, 1011, 1012.				688	690395	Cap-Friction
367	94025	Screw (Wire Clip)				689A	690529	Spring-Friction (Conical Spring, Hand Choke Control)
						729A	93784	Clip-Wire (Clamp, Steel)
						1197	92484	Screw (Hand Choke Rod)

Engine Gasket Set-Reference 358
Carburetor Overhaul Kit-Reference 121

Valve Gasket Set-Reference 1095

2810-13

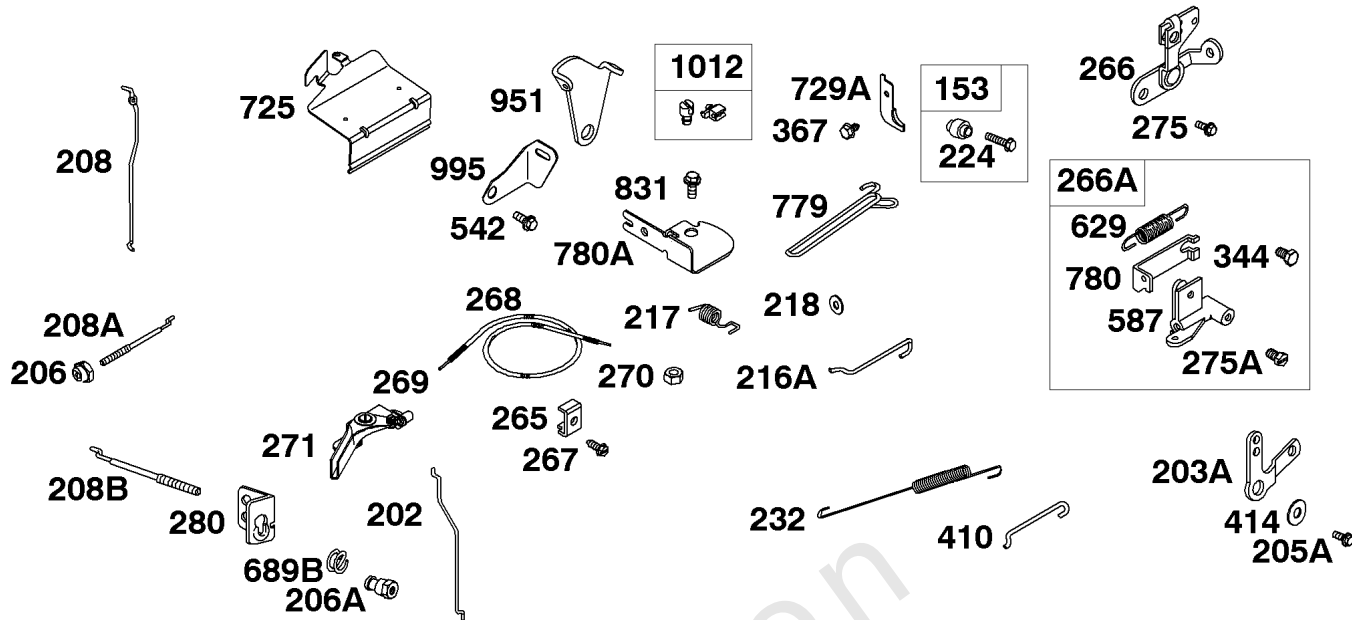
Assemblies include all parts shown in frames.

04/12/2012

控制

参考编号	零件号	数量	描述
216	691824		连接, 阻风门 - (手册)
226A	399109		杆, 阻风门 - (杆组件)
227	690653		杠杆, 调速控制
367	691660		拧 - (线夹)
404	691691		垫圈 - (调速克兰克)
485	692295		把手, 空气滤清器盖 - (滑动)
485A	391908		把手, 空气滤清器盖 - (回合)
505	691251		坚果 - (调速控制杆)
562	691119		螺栓 - (调速控制杆)
614	691620		销, 开口销
615	93307		固定器, 调速轴
616	692016		Crank-Governor
620	490649		支架, 控制
621	692310		转, 停
688	690395		盖, 摩擦力
689A	690529		弹簧, 摩擦 - (手阻风门控制)
729A	690471		夹子, 线
1197	92484		拧 - (手阻风门杆)

135200 to 135299



REF. NO.	PART NO.	DESCRIPTION	REF. NO.	PART NO.	DESCRIPTION	REF. NO.	PART NO.	DESCRIPTION
153	490589	Kit-Collar/Screw	218	691722	Washer (Choke Link)	367	691660	Screw (Wire Clip)
202	691814	Link-Mechanical Governor	224	690320	Screw (Collar/Screw Kit)	410	691274	Link-Control (Bell Crank)
		----- Note -----	232	691819	Spring-Governor Link	414	691721	Washer (Bell Crank)
		261558 Link-Mechanical Governor	265	691024	Clamp-Casing	542	691683	Screw (Link Bracket)
		Used on Type No(s). 0299, 1011, 1012.	266	691414	Control-Throttle (Remote/Governor Idle)	587	690769	Clamp-Cable
203A	691744	Crank-Bell (Steel)	266A	692316	Control-Throttle (Kit with Spring)	629	690457	Spring-Throttle Return
205A	690320	Screw (Bell Crank)	267	690804	Screw (Casing Clamp)	689B	692522	Spring-Friction (4 Coil, Closed Ends)
206	690325	Nut-Governor Adjusting (Governor Idle)	268	691025	Casing-Control Wire (Cut To Required Length)	725	690440	Shield-Heat (Fuel Tank)
206A	691771	Nut-Governor Adjusting (Fixed Speed)	269	691026	Wire-Control (Cut To Required Length)	729A	690471	Clip-Wire (Steel)
208	691813	Rod-Governor Control (Non Threaded)	270	691027	Nut (Control Wire Casing)	779	691828	Link-Bell Crank
208A	691820	Rod-Governor Control (Threaded) (Governor Idle Speed)	271	691028	Lever-Control	780	690594	Anchor-Spring (Throttle Control)
208B	691821	Rod-Governor Control (Fixed Speed)	275	691683	Screw (Throttle Control)	780A	691211	Anchor-Spring (Governor Idle)
216A	691271	Link-Choke (Choke A Matic)	275A	691646	Screw (Throttle Control)	831	691683	Screw (Spring Anchor)
217	691815	Spring-Choke Return	280	691184	Bracket-Rod	951	690436	Lever-Choke (Choke A Matic)
			344	691645	Screw (Cable Clamp)	995	691756	Bracket-Link
						1012	490507	Retainer-Link

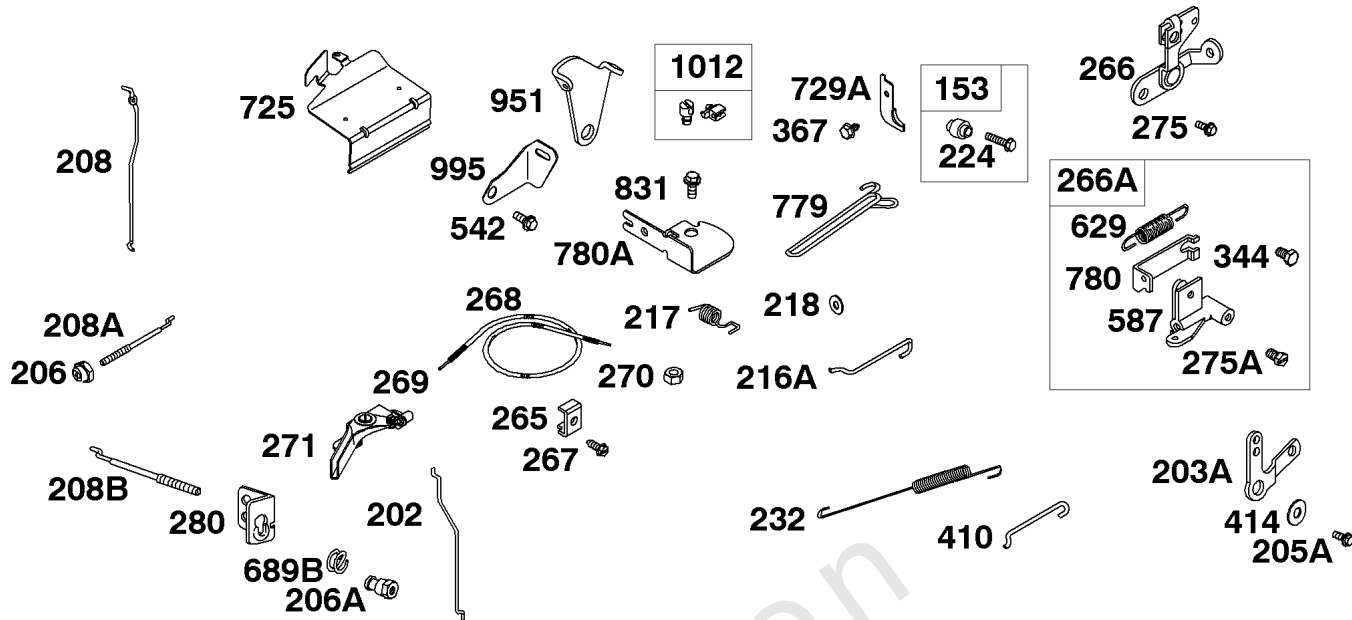
Engine Gasket Set-Reference 358
Carburetor Overhaul Kit-Reference 121

Valve Gasket Set-Reference 1095

控制2

参考编号	零件号	数量	描述
153	490589		拧 - (化油器)
202	691814		连接, 机械调速器
203A	691965		曲柄, 贝尔 - (钢) ()
203A	691744		曲柄, 贝尔 - (钢)
205A	691683		拧 - (贝尔曲柄) (标准) (尼龙)
206	690325		螺母, 调速调整 - (调速闲置)
206A	691771		螺母, 调速调整 - (固定速度)
208	691813		杆, 调速控制 - (非螺纹)
208A	691820		杆, 调速控制
208B	691821		杆, 调速控制 - (固定速度)
216A	691271		连接, 阻风门 - (阻风门 A Matic)
217	691815		弹簧, 阻风门 回位
218	691722		垫圈 - (阻风门连接)
224	690320		拧 - (套环/螺丝套件)
232	691819		调速/ 弹簧 / 连接
265	691024		夹子, 线
266	691414		控制, 节流 - (远程调速器/空闲)
267	690804		拧 - (线夹)
268	691025		外壳, 控制线 - (切成所需长度)
269	691026		电线, 控制 - (切成所需长度)
270	691027		坚果 - (控制线套管)
271	691028		杠杆, 控制
275	691683		拧 - (油门控制)
275A	691646		拧 - (油门控制)
280	691184		支架, 罗德
344	691645		拧 - (电缆夹)
367	691660		拧 - (线夹)
410	691274		链接, 控制
414	691721		垫圈 - (曲柄)
542	691683		拧 - (链接支架)
587	690769		夹子, 电缆
629	690457		弹簧, 节气门回位 - (油门返回)
689B	692522		弹簧, 摩擦 - (调速控制杆)
725	690440		护罩, 热 - (油箱)

135200 to 135299



REF. NO.	PART NO.	DESCRIPTION	REF. NO.	PART NO.	DESCRIPTION	REF. NO.	PART NO.	DESCRIPTION
153	490589	Kit-Collar/Screw	218	691722	Washer (Choke Link)	367	691660	Screw (Wire Clip)
202	691814	Link-Mechanical Governor	224	690320	Screw (Collar/Screw Kit)	410	691274	Link-Control
		----- Note -----	232	691819	Spring-Governor Link	414	691721	Washer (Bell Crank)
		261558 Link-Mechanical Governor	265	691024	Clamp-Casing	542	691683	Screw (Link Bracket)
		Used on Type No(s). 0299, 1011, 1012.	266	691414	Control-Throttle (Remote/Governor Idle)	587	690769	Clamp-Cable
203A	691744	Crank-Bell (Steel)	266A	692316	Control-Throttle (Kit with Spring)	629	690457	Spring-Throttle Return
205A	690320	Screw (Bell Crank)	267	690804	Screw (Casing Clamp)	689B	692522	Spring-Friction (4 Coil, Closed Ends)
206	690325	Nut-Governor Adjusting (Governor Idle)	268	691025	Casing-Control Wire (Cut To Required Length)	725	690440	Shield-Heat (Fuel Tank)
206A	691771	Nut-Governor Adjusting (Fixed Speed)	269	691026	Wire-Control (Cut To Required Length)	729A	690471	Clip-Wire (Steel)
208	691813	Rod-Governor Control (Non Threaded)	270	691027	Nut (Control Wire Casing)	779	691828	Link-Bell Crank
208A	691820	Rod-Governor Control (Threaded) (Governor Idle Speed)	271	691028	Lever-Control	780	690594	Anchor-Spring (Throttle Control)
208B	691821	Rod-Governor Control (Fixed Speed)	275	691683	Screw (Throttle Control)	780A	691211	Anchor-Spring (Governor Idle)
216A	691271	Link-Choke (Choke A Matic)	275A	691646	Screw (Throttle Control)	831	691683	Screw (Spring Anchor)
217	691815	Spring-Choke Return	280	691184	Bracket-Rod	951	690436	Lever-Choke (Choke A Matic)
			344	691645	Screw (Cable Clamp)	995	691756	Bracket-Link
						1012	490507	Retainer-Link

Engine Gasket Set-Reference 358
Carburetor Overhaul Kit-Reference 121

Valve Gasket Set-Reference 1095

2810-14

Assemblies include all parts shown in frames.

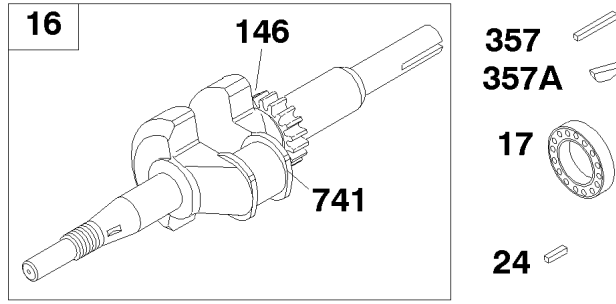
04/12/2012

控制2

参考编号	零件号	数量	描述
729A	690471		夹子, 线
779	691828		连接, 曲柄
780A	691211		锚扣, 弹簧 - (调速闲置)
831	691683		拧 - (舂锚)
951	690436		杠杆, 阻风门
951	691180		杠杆, 阻风门
995	691756		支架, 链接
1012	490507		保留者, 链接
1303	690594		夹子, 速度控制 - (油门控制)

Not For Reproduction

135200 to 135299



REF. NO.	PART NO.	DESCRIPTION	REF. NO.	PART NO.	DESCRIPTION	REF. NO.	PART NO.	DESCRIPTION				
16	492088	Crankshaft (No Longer Available) ----- Note ----- 397095 Crankshaft Used on Type No(s). 0049, 0107, 0155, 0215, 0243, 0277, 0649, 1049, 1215. 397103 Crankshaft Used on Type No(s). 0020, 0117, 0132, 0258, 0620, 0728, 0759, 1299, 1020, 1128, 1231, 1258, 1299. 494035 Crankshaft Used on Type No(s). 0026, 0115, 0129, 0151, 0160, 0162, 0163, 0164, 0166, 0199, 0211, 0244, 0252, 0292, 0297, 0327, 0626, 0729, 0752, 1327, 1026, 1115, 1129, 1160, 1252, 1292, 1340. 692140 Crankshaft Used on Type No(s). 1080, 1314. 495642 Crankshaft Used on Type No(s). 0080, 0314. 495643 Crankshaft Used on Type No(s). 0038, 0059, 0072, 0075, 0082, 0083, 0093, 0126, 0228, 0241, 0251, 0291, 0311, 0312, 0638, 0791, 1038, 1072, 1075, 1093, 1291, 1312.										
					495644 Crankshaft Used on Type No(s). 0035, 0084, 0131, 0247, 0301, 0326, 0635, 1035, 1084, 1301, 1326, 1328, 1333. 495645 Crankshaft Used on Type No(s). 0009, 0018, 0019, 0027, 0029, 0036, 0073, 0106, 0116, 0125, 0128, 0131, 0133, 0134, 0139, 0143, 0161, 0165, 0168, 0176, 0179, 0181, 0186, 0192, 0200, 0208, 0212, 0217, 0227, 0230, 0249, 0250, 0256, 0264, 0268, 0283, 0288, 0299, 0303, 0317, 0318, 0636, 0700, 0717, 0730, 0762, 0779, 0788, 1009, 1012, 1019, 1027, 1029, 1036, 1050, 1073, 1106, 1139, 1143, 1161, 1179, 1186, 1200, 1217, 1250, 1268, 1283, 1288, 1317, 1318. 495649 Crankshaft Used on Type No(s). 0003, 0007, 0060, 0144, 0146, 0148, 0152, 0167, 0171, 0177, 0178, 0183, 0188, 0189, 0190, 0191, 0196, 0197, 0213, 0240, 0255, 0272, 0273, 0289, 0300, 0305, 0603, 0607, 0660, 0767, 0790, 0815, 1003, 1007, 1060, 1146,							1167, 1171, 1190, 1197, 1289, 1330. 499764 Crankshaft Used on Type No(s). 0079, 0140, 0223, 0263, 0294, 0298, 0302, 0307, 0308, 0679, 0702, 0913, 1008, 1079, 1140, 1223, 1263, 1308, 1313. 499765 Crankshaft Used on Type No(s). 0014, 0253. 692142 Crankshaft Used on Type No(s). 0740, 0814, 1261.
								17 692007 Bearing-Ball 24 222698s Key-Flywheel 146 690979 Key-Timing (Used with Timing Gear 691847) ----- Note ----- 499047 Key-Timing (Used with Timing Gear 261696) 357 692191 Key-Drive Pulley 357A 690339 Key-Drive Pulley (Woodruff) 741 691847 Gear-Timing (Uses Woodruff Key) ----- Note ----- 261696 Gear-Timing (Uses Locating Pin)				

Engine Gasket Set-Reference 358
Carburetor Overhaul Kit-Reference 121

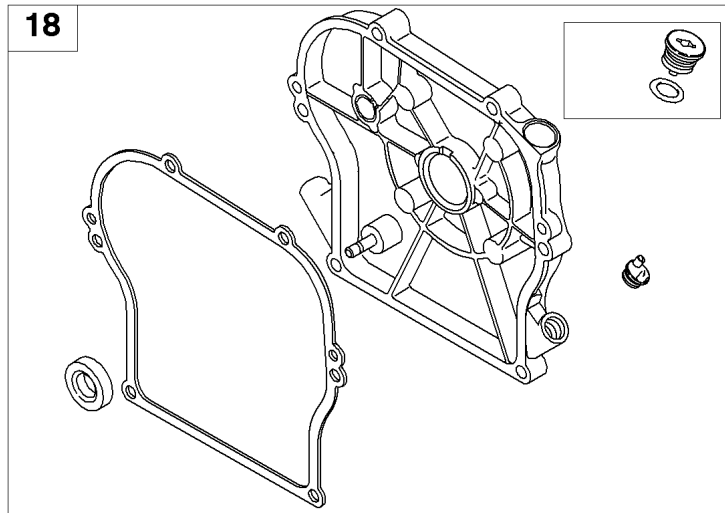
Valve Gasket Set-Reference 1095

曲轴

参考编号	零件号	数量	描述
17	692007		Bearing-Ball
24	222698S		钥匙, 飞轮
146	499047		销, 定位 - (与正时齿轮261696一起使用)
146	690979		键, 半月形 - (与正时齿轮691847配合使用)
357	692191		键, 驱动皮带轮
357A	690339		键, 驱动皮带轮 - (半圆)
741	261696		齿轮, 正时 - (滑动轴承) (使用定位销)
741	691847		齿轮, 正时 - (使用半月形钥匙)

Not For Reproduction

135200 to 135299



REF. NO.	PART NO.	DESCRIPTION	REF. NO.	PART NO.	DESCRIPTION	REF. NO.	PART NO.	DESCRIPTION
18	694377	Cover-Crankcase (Gear Reduction) ----- Note ----- 694375 Cover-Crankcase (Auxillary PTO)		694350	Cover-Crankcase (Plain Bearing)		694319	Cover-Crankcase (Ball Bearing)

Engine Gasket Set-Reference 358
Carburetor Overhaul Kit-Reference 121

Valve Gasket Set-Reference 1095

2810-7

Assemblies include all parts shown in frames.

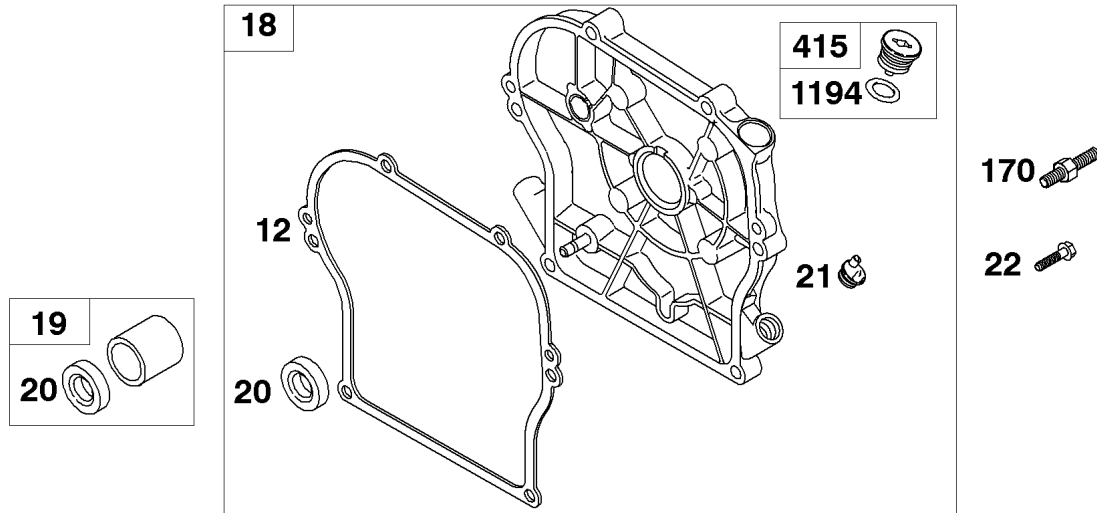
04/12/2012

曲轴箱盖/油底壳

参考编号	零件号	数量	描述
18	-----		Cover-Crankcase - (不再可用)
18	694319		盖子, 曲轴箱
18	694350		盖子, 曲轴箱 - (滑动轴承)
18	694377		盖子, 曲轴箱 - (减速)

Not For Reproduction

135200 to 135299



REF. NO.	PART NO.	DESCRIPTION	REF. NO.	PART NO.	DESCRIPTION	REF. NO.	PART NO.	DESCRIPTION
12	692213	Gasket-Crankcase (Standard)		0284, 0285, 0289, 0293, 0295, 0304, 0306, 0309, 0310, 0315, 0316, 0320, 0324, 0603, 0611, 0615, 0616, 0620, 0625, 0670, 0671, 0704, 0706, 0727, 0728, 0757, 0758, 0759, 0780, 0784, 1003, 1004, 1005, 1011, 1016, 1020, 1025, 1070, 1071, 1105, 1119, 1127, 1128, 1142, 1153, 1154, 1157, 1158, 1159, 1169, 1171, 1180, 1194, 1231, 1232, 1238, 1245, 1258, 1259, 1260, 1261, 1263, 1271, 1276, 1281, 1284, 1289, 1299, 1304, 1310, 1315, 1320, 1324, 1329, 1336, 1337, 1338.		0209, 0214, 0216, 0232, 0236, 0254, 0260, 0265, 0269, 0295, 0309, 0310, 0320, 0324, 0611, 0670, 0671, 0728, 0757, 0758, 0780, 1011, 1070, 1071, 1128, 1154, 1157, 1158, 1169, 1173, 1180, 1194, 1232, 1260, 1261, 1265, 1309, 1310, 1320, 1324, 1336, 1337, 1338, 1343.		
		----- Note -----						
	270125	Gasket-Crankcase (.005" Thick)		0315, 0316, 0320, 0324, 0603, 0611, 0615, 0616, 0620, 0625, 0670, 0671, 0704, 0706, 0727, 0728, 0757, 0758, 0759, 0780, 0784, 1003, 1004, 1005, 1011, 1016, 1020, 1025, 1070, 1071, 1105, 1119, 1127, 1128, 1142, 1153, 1154, 1157, 1158, 1159, 1169, 1171, 1180, 1194, 1231, 1232, 1238, 1245, 1258, 1259, 1260, 1261, 1263, 1271, 1276, 1281, 1284, 1289, 1299, 1304, 1310, 1315, 1320, 1324, 1329, 1336, 1337, 1338.		0209, 0214, 0216, 0232, 0236, 0254, 0260, 0265, 0269, 0295, 0309, 0310, 0320, 0324, 0611, 0670, 0671, 0728, 0757, 0758, 0780, 1011, 1070, 1071, 1128, 1154, 1157, 1158, 1169, 1173, 1180, 1194, 1232, 1260, 1261, 1265, 1309, 1310, 1320, 1324, 1336, 1337, 1338, 1343.		
	270126	Gasket-Crankcase (.009" Thick)		0625, 0670, 0671, 0704, 0706, 0727, 0728, 0757, 0758, 0759, 0780, 0784, 1003, 1004, 1005, 1011, 1016, 1020, 1025, 1070, 1071, 1105, 1119, 1127, 1128, 1142, 1153, 1154, 1157, 1158, 1159, 1169, 1171, 1180, 1194, 1231, 1232, 1238, 1245, 1258, 1259, 1260, 1261, 1263, 1271, 1276, 1281, 1284, 1289, 1299, 1304, 1310, 1315, 1320, 1324, 1329, 1336, 1337, 1338.		0209, 0214, 0216, 0232, 0236, 0254, 0260, 0265, 0269, 0295, 0309, 0310, 0320, 0324, 0611, 0670, 0671, 0728, 0757, 0758, 0780, 1011, 1070, 1071, 1128, 1154, 1157, 1158, 1169, 1173, 1180, 1194, 1232, 1260, 1261, 1265, 1309, 1310, 1320, 1324, 1336, 1337, 1338, 1343.		
18		Cover-Crankcase (See Previous Page)		0759, 0780, 0784, 1003, 1004, 1005, 1011, 1016, 1020, 1025, 1070, 1071, 1105, 1119, 1127, 1128, 1142, 1153, 1154, 1157, 1158, 1159, 1169, 1171, 1180, 1194, 1231, 1232, 1238, 1245, 1258, 1259, 1260, 1261, 1263, 1271, 1276, 1281, 1284, 1289, 1299, 1304, 1310, 1315, 1320, 1324, 1329, 1336, 1337, 1338.		0209, 0214, 0216, 0232, 0236, 0254, 0260, 0265, 0269, 0295, 0309, 0310, 0320, 0324, 0611, 0670, 0671, 0728, 0757, 0758, 0780, 1011, 1070, 1071, 1128, 1154, 1157, 1158, 1169, 1173, 1180, 1194, 1232, 1260, 1261, 1265, 1309, 1310, 1320, 1324, 1336, 1337, 1338, 1343.		
19	495660	Kit-Bushing/Seal (PTO Side)		1105, 1119, 1127, 1128, 1142, 1153, 1154, 1157, 1158, 1159, 1169, 1171, 1180, 1194, 1231, 1232, 1238, 1245, 1258, 1259, 1260, 1261, 1263, 1271, 1276, 1281, 1284, 1289, 1299, 1304, 1310, 1315, 1320, 1324, 1329, 1336, 1337, 1338.		0209, 0214, 0216, 0232, 0236, 0254, 0260, 0265, 0269, 0295, 0309, 0310, 0320, 0324, 0611, 0670, 0671, 0728, 0757, 0758, 0780, 1011, 1070, 1071, 1128, 1154, 1157, 1158, 1169, 1173, 1180, 1194, 1232, 1260, 1261, 1265, 1309, 1310, 1320, 1324, 1336, 1337, 1338, 1343.		
20	495307	Seal-Oil (PTO Side)		1105, 1119, 1127, 1128, 1142, 1153, 1154, 1157, 1158, 1159, 1169, 1171, 1180, 1194, 1231, 1232, 1238, 1245, 1258, 1259, 1260, 1261, 1263, 1271, 1276, 1281, 1284, 1289, 1299, 1304, 1310, 1315, 1320, 1324, 1329, 1336, 1337, 1338.		0209, 0214, 0216, 0232, 0236, 0254, 0260, 0265, 0269, 0295, 0309, 0310, 0320, 0324, 0611, 0670, 0671, 0728, 0757, 0758, 0780, 1011, 1070, 1071, 1128, 1154, 1157, 1158, 1169, 1173, 1180, 1194, 1232, 1260, 1261, 1265, 1309, 1310, 1320, 1324, 1336, 1337, 1338, 1343.		
		----- Note -----						
	294606	Seal-Oil (PTO Side)		1105, 1119, 1127, 1128, 1142, 1153, 1154, 1157, 1158, 1159, 1169, 1171, 1180, 1194, 1231, 1232, 1238, 1245, 1258, 1259, 1260, 1261, 1263, 1271, 1276, 1281, 1284, 1289, 1299, 1304, 1310, 1315, 1320, 1324, 1329, 1336, 1337, 1338.		0209, 0214, 0216, 0232, 0236, 0254, 0260, 0265, 0269, 0295, 0309, 0310, 0320, 0324, 0611, 0670, 0671, 0728, 0757, 0758, 0780, 1011, 1070, 1071, 1128, 1154, 1157, 1158, 1169, 1173, 1180, 1194, 1232, 1260, 1261, 1265, 1309, 1310, 1320, 1324, 1336, 1337, 1338, 1343.		
		Used on Type No(s).		0001, 0003, 0004, 0005, 0015, 0016, 0020, 0025, 0105, 0114, 0117, 0118, 0119, 0127, 0132, 0136, 0142, 0145, 0150, 0153, 0156, 0157, 0158, 0159, 0171, 0175, 0178, 0182, 0183, 0185, 0193, 0194, 0195, 0209, 0210, 0214, 0222, 0237, 0238, 0245, 0253, 0254, 0258, 0260, 0262, 0263, 0265, 0269, 0271, 0274, 0276, 0281,		0209, 0214, 0216, 0232, 0236, 0254, 0260, 0265, 0269, 0295, 0309, 0310, 0320, 0324, 0611, 0670, 0671, 0728, 0757, 0758, 0780, 1011, 1070, 1071, 1128, 1154, 1157, 1158, 1169, 1173, 1180, 1194, 1232, 1260, 1261, 1265, 1309, 1310, 1320, 1324, 1336, 1337, 1338, 1343.		
				691952 Seal-Oil (PTO Side)		21 281658s Cap-Oil Fill		
				Used on Type No(s).		22 691551 Screw (Crankcase Cover)		
				0011, 0070, 0071, 0108, 0120, 0121, 0124, 0141, 0154, 0157, 0158, 0169, 0173, 0174, 0180, 0182, 0194, 0198, 0202, 0203, 0204, 0205, 0206, 0207,		170 691120 Stud (Crankcase Cover, Install In #1 and/or #2 Positions)		
						415 691363 Plug (Crankcase Cover)		
						1194 691876 Seal-O Ring (Plug)		

Engine Gasket Set-Reference 358
Carburetor Overhaul Kit-Reference 121

Valve Gasket Set-Reference 1095

2810-8

Assemblies include all parts shown in frames.

04/12/2012

曲轴箱盖/油底壳2

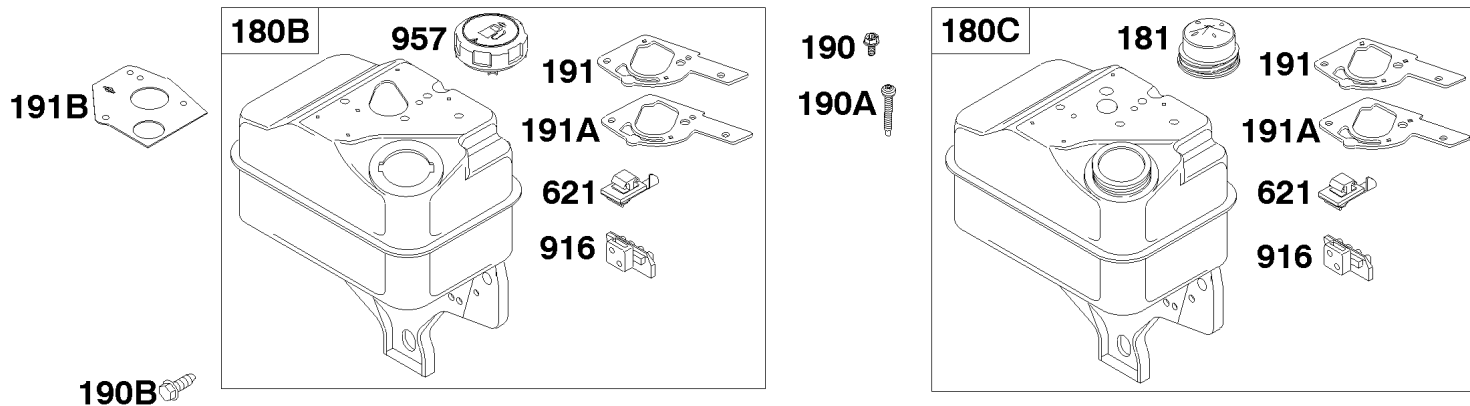
参考编号	零件号	数量	描述
12	692213		垫片, 曲轴箱盖 - (标准)
12	270125		垫片, 曲轴箱盖 - (.005)
12	270126		GASKET-CRKCSE/009 - (.009)
18	694350		盖子, 曲轴箱 - (滑动轴承)
18	694377		盖子, 曲轴箱 - (减速)
18	-----		Cover-Crankcase - (不再可用)
18	694319		盖子, 曲轴箱
20	294606S		海豹油 - (PTO侧) (PTO侧) (1-3 / 8外径带弹簧)
20	691952		海豹油 - (PTO侧) (辅助动力输出) (1外径带弹簧)
21	281658S		CAP-OIL FILL
22	692551		拧 - (曲轴箱盖/油底壳)
170	691120		螺柱 - (曲轴箱盖/油底壳) (安装在位置1和/或2)
309	690658		马达, 启动
415	691363		插头 - (曲轴箱盖/油底壳)
1194	691876		密封圈, O形圈 - (插头)

替代发动机-美国和加拿大

参考编号	零件号	数量	描述
	-----		No engine replacement. Repair engine with individual parts.
	-----		Top No-Load Speed: 3600 -类型: 01
	-----		Service Note: For all Go-Karts use only a Model 136200 series engine as a replacement, regardless of the original Model.

Not For Reproduction

135200 to 135299



★ NOTE: ALL FUN-KART APPLICATIONS USING MODEL SERIES 135200 ENGINES MUST USE 694315 FUEL TANK.

REF. NO.	PART NO.	DESCRIPTION	REF. NO.	PART NO.	DESCRIPTION	REF. NO.	PART NO.	DESCRIPTION
180B	694315	Tank-Fuel ----- Note ----- 495370 Tank-Fuel Used on Type No(s). 0214.	190	692200	Screw (Fuel Tank)	916	691900	Rack-Governor Gear (Black) ----- Note ----- 690583 Rack-Governor Gear (Natural) Used on Type No(s). 0016, 0019, 0071, 0147, 0148, 0185, 0195, 0200, 0213, 0214, 0216, 0232, 0260, 0263, 0306, 0310, 1016, 1071, 1147, 1200, 1232, 1260, 1263, 1310.
180C	494600	Tank-Fuel Used on Type No(s). 0299, 1011, 1012.	190A	691687	Screw (Fuel Tank)	957	494559	Cap-Fuel Tank
181	394818s	Cap-Fuel Tank (Metal) (Threaded, Vented) ----- Note ----- 498156 Cap-Fuel Tank (Metal) (Threaded, Non Vented) Used on Type No(s). 0293.	190B	691685	Screw (Fuel Tank)			
			191	692241	Gasket-Fuel Tank			
			191A	272996	Gasket-Fuel Tank			
			191B	272409s	Gasket-Fuel Tank Used on Type No(s). 0299, 1011, 1012.			
			621	692310	Switch-Stop			

Engine Gasket Set-Reference 358
Carburetor Overhaul Kit-Reference 121

Valve Gasket Set-Reference 1095

2810-17

Assemblies include all parts shown in frames.

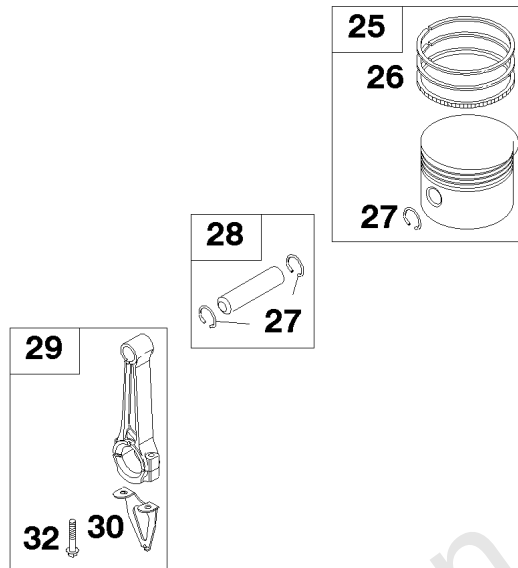
04/12/2012

油箱组

参考编号	零件号	数量	描述
180B	694315		油箱, 燃料 - (金属)
181	394818S		帽燃油箱 - (金属)
190	692200		拧 - (油箱)
190A	691687		拧 - (油箱)
190B	691685		拧 - (油箱)
191	692241		垫片, 油箱
191A	272996		垫片, 油箱
621	692310		转, 停
916	691900		支架, 调速齿轮 - (黑色)

Not For Reproduction

135200 to 135299



REF. NO.	PART NO.	DESCRIPTION	REF. NO.	PART NO.	DESCRIPTION	REF. NO.	PART NO.	DESCRIPTION
25	790908	Piston Assembly (Standard) (Used After Code Date 99011100). ----- Note ----- 298904 Piston Assembly (Standard) (Used Before Code Date 99011200). ----- 792532 Piston Assembly (.020" Oversize) (Used After Code Date 99011100). 298906 Piston Assembly (.020" Oversize) (Used Before Code Date 99011200). ----- 298907 Piston Assembly (.030" Oversize) (Used Before Code Date 99011200).	26	498680	Ring Set (Standard) (Used After Code Date 99011100). ----- Note ----- 298982 Ring Set (Standard) (Used Before Code Date 99011200). ----- 498682 Ring Set (.020" Oversize) (Used After Code Date 99011100). 298984 Ring Set (.020" Oversize) (Used Before Code Date 99011200). ----- 498683 Ring Set (.030" Oversize) (Used After Code Date 99011100).	27	691588	Lock-Piston Pin
						28	298909	Pin-Piston (Standard) ----- Note ----- 298908 Pin-Piston (.005" Oversize)
						29	299430	Rod-Connecting
						30	691759	Dipper-Connecting Rod
						32	691664	Screw (Connecting Rod)

Engine Gasket Set-Reference 358
Carburetor Overhaul Kit-Reference 121

Valve Gasket Set-Reference 1095

2810-4

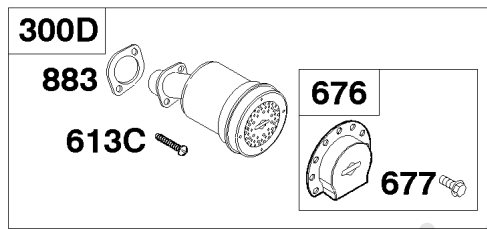
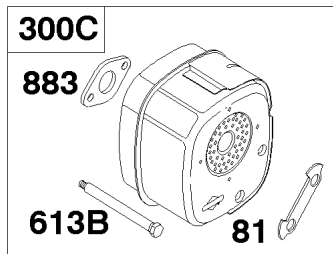
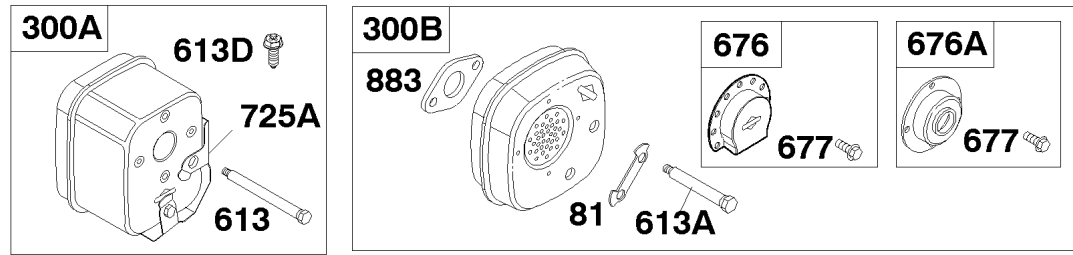
Assemblies include all parts shown in frames.

04/12/2012

活塞/环/连杆

参考编号	零件号	数量	描述
25	298906		活塞组件 - (.020 加大) 在代码日期99011200 -之前使用
25	298907		活塞组件 - (.030 加大) 在代码日期99011200 -之前使用
25	793214		活塞组件 - (标准)
26	298982		RING SET-STD - (标准) 在代码日期99011200 -之前使用
26	298984		RING SET-020 - (.020 加大) 在代码日期99011200 -之前使用
26	498680		RING SET-STD - (标准) 代码日期99011100后使用
26	498682		套装, 戒指 - (.020加大) 代码日期99011100后使用
26	498683		套装, 戒指 - (.030加大) 代码日期99011100后使用
27	691588		锁, 活塞销
28	298908		销, 活塞 - (.005加大)
28	298909		PIN. Piston
29	299430		杆, 连接 - (标准)
30	691759		DIPPER-CONN ROD
32	691664		拧 - (连杆)

135200 to 135299



REF. NO.	PART NO.	DESCRIPTION	REF. NO.	PART NO.	DESCRIPTION	REF. NO.	PART NO.	DESCRIPTION
81	691729	Lock-Muffler Screw	303	94089	Elbow-Exhaust	676	393757	Deflector-Muffler (Side Out) (Deep)
298	690453	Locknut-Muffler/Elbow	613	691351	Screw (Muffler)			----- Note -----
300A	691969	Muffler (Super Lo Tone)	613A	691413	Screw (Muffler)	676A	395700	Deflector-Muffler (Direct Out)
300B	494585	Muffler	613B	691632	Screw (Muffler)	677	690661	Screw (Muffler Deflector)
		----- Note ----- (Heat Shield Supplied By Equipment Manufacturer) Used on Type No(s). 0185.	613C	691665	Screw (Muffler)	725A	690466	Shield-Heat (Muffler)
300C	390918	Muffler (Lo Tone)	613D	690810	Screw (Muffler)	883	692237	Gasket-Exhaust
		----- Note ----- 692304 Muffler (Lo Tone) Used on Type No(s). 0072, 0075, 0142, 0143, 0193, 0195, 0198, 0208, 0244, 0315, 0316, 1072, 1075, 1127, 1142, 1143, 1315.	613E	692557	Screw (Muffler)	981	690408	Brace-Muffler
300D	496892	Muffler (Round Lo Tone) Used on Type No(s). 0138, 0165, 0227, 0274.						

Engine Gasket Set-Reference 358
Carburetor Overhaul Kit-Reference 121

Valve Gasket Set-Reference 1095

2810-19

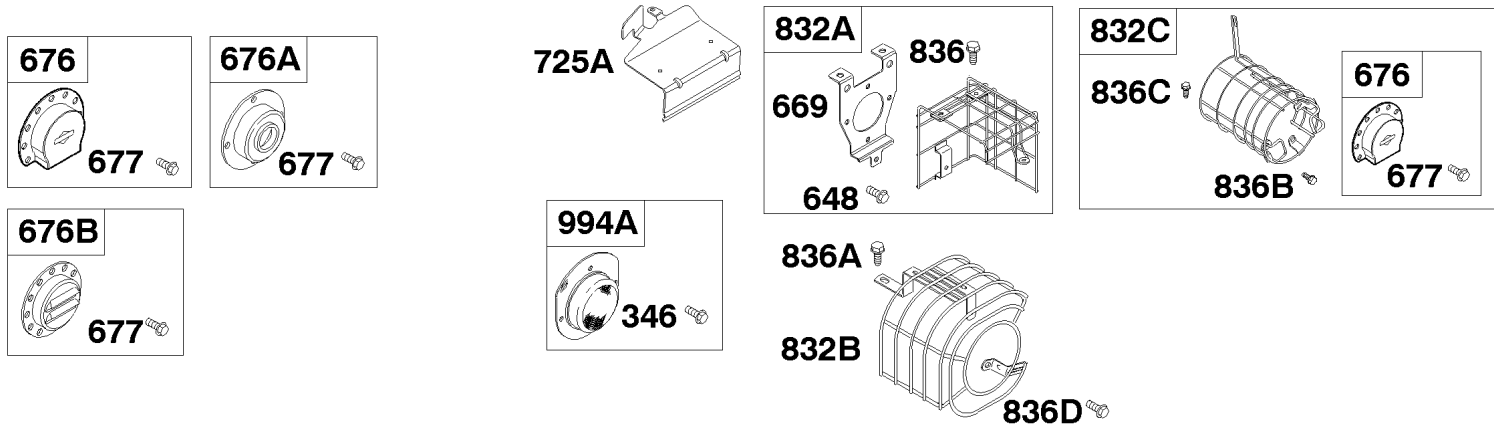
Assemblies include all parts shown in frames.

04/12/2012

消音器组

参考编号	零件号	数量	描述
81	691729		锁, 消音器螺丝
298	690453		锁紧螺母 - (围巾和肘部)
300A	691969		围巾 - (Super Lo Tone)
300B	494585		围巾
300C	390918S		围巾 - (Lo Tone)
300D	496892		围巾 - (Round Lo Tone)
303	94089		弯头, 排气管 - (45度街)
613	691351		拧 - (围巾)
613B	691632		拧 - (围巾)
613C	691665		拧 - (围巾)
613D	690810		拧 - (围巾)
676	796956		消除器, 消音器
676A	395700		消除器, 消音器 - (直接出口) (直接输出)
677	690661		拧 - (消音器导流板)
725A	690466		护罩, 热 - (围巾)
883	692237		Gasket-Exhaust
981	690408		布莱尔, 消音器

135200 to 135299



REF. NO.	PART NO.	DESCRIPTION	REF. NO.	PART NO.	DESCRIPTION	REF. NO.	PART NO.	DESCRIPTION
346	690661	Screw (Spark Arrestor)	677	690661	Screw (Muffler Deflector)	836	691683	Screw (Muffler Guard)
648	691660	Screw (Muffler Guard Bracket)	725A	690440	Shield-Heat (Fuel Tank)	836A	690810	Screw (Muffler Guard)
669	690425	Bracket-Muffler Guard	832A	490534	Guard-Muffler (Super Lo Tone)	836B	690367	Screw (Muffler Guard)
676	393757	Deflector-Muffler (Side Out) (Deep)	832B	690625	Guard-Muffler (Lo Tone)	836C	691681	Screw (Muffler Guard)
		----- Note -----	832C	498257	Guard-Muffler (Round Lo Tone)	836D	690661	Screw (Muffler Guard)
		494423 Deflector-Muffler (Side Out) (Shallow)				994A	399541	Arrestor-Spark
		Used on Type No(s). 0029, 0167, 0190, 0225, 0248, 0276, 0767, 1029, 1276, 1167, 1190.						
676A	395700	Deflector-Muffler (Direct Out)						
676B	393758	Deflector-Muffler (Louvered)						

Engine Gasket Set-Reference 358
Carburetor Overhaul Kit-Reference 121

Valve Gasket Set-Reference 1095

2810-20

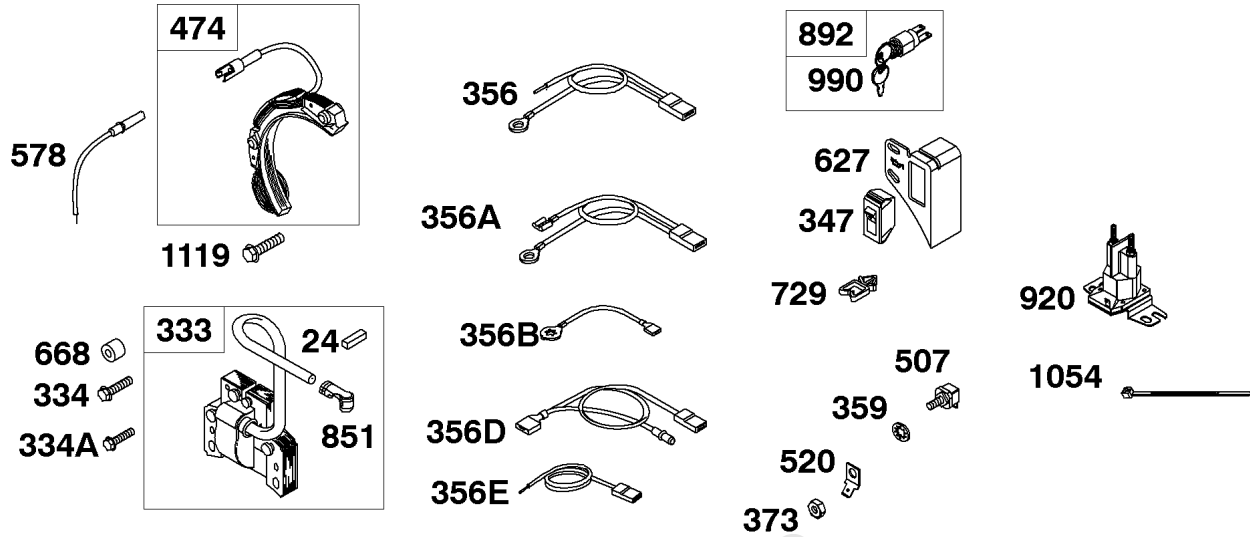
Assemblies include all parts shown in frames.

04/12/2012

消音器组2

参考编号	零件号	数量	描述
346	690661		拧 - (火花捕捉器)
648	691660		拧 - (消音器护罩)
669	690425		支架, 消音器护卫
676	796956		消除器, 消音器
676A	395700		消除器, 消音器 - (直接出口) (直接输出)
676B	393758		消除器, 消音器 - (百叶窗出口) (百叶窗)
677	690661		拧 - (消音器导流板)
725A	690466		护罩, 热 - (围巾)
832A	490534		保护, 围巾 - (Super Lo Tone)
832C	498257		围巾 - (Round Lo Tone)
832B	690625		围巾 - (Lo Tone)
836	691683		拧 - (消音器卫队)
836A	690810		拧 - (消音器卫队)
836B	690367		拧 - (消音器卫队)
836D	690661		拧 - (消音器卫队)
836C	691681		拧 - (消音器卫队)
994A	399541		捕捉器, 火花

135200 to 135299



REF. NO.	PART NO.	DESCRIPTION	REF. NO.	PART NO.	DESCRIPTION	REF. NO.	PART NO.	DESCRIPTION
24	691732	Key-Flywheel	356E	692390	Wire-Stop	668	690531	Spacer
333	397358	Armature-Magneto	359	691077	Washer (Ground Terminal)	729	690588	Clip-Wire (Snap In, Nylon)
334	690306	Screw (Magneto Armature)	373	691612	Nut (Ground Terminal)	851	493880s	Terminal-Spark Plug
334A	691621	Screw (Magneto Armature)	474	494254	Alternator (Magneto Armature)	892	690646	Switch-Key
347	691995	Switch-Rocker	507	691972	Insulator	920	691656	Solenoid-Starter
356	398808	Wire-Stop	520	691084	Terminal-Ground	990	691959	Key Set
356A	690650	Wire-Stop	578	692306	Wire Assembly	1054	280275	Tie-Cable
356B	690817	Wire-Stop	627	690474	Bracket-Stopspring	1119	691183	Screw (Alternator)
356D	690818	Wire-Stop						

Engine Gasket Set-Reference 358
Carburetor Overhaul Kit-Reference 121

Valve Gasket Set-Reference 1095

2810-15

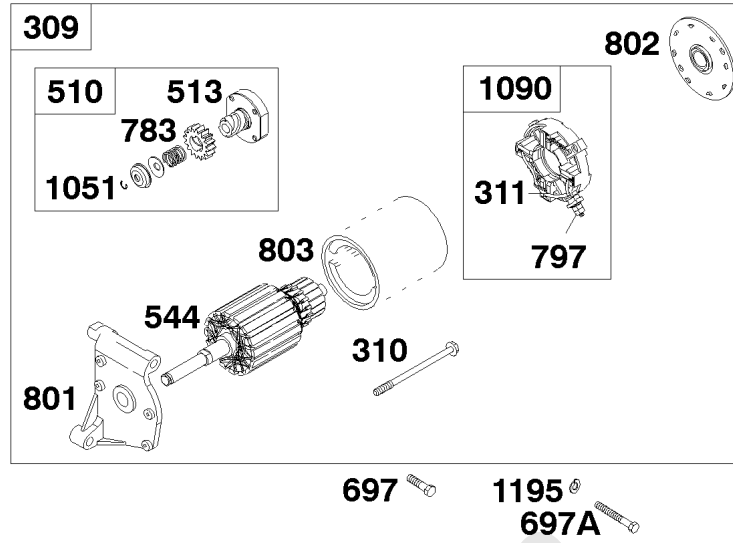
Assemblies include all parts shown in frames.

04/12/2012

电动

参考编号	零件号	数量	描述
24	222698S		钥匙, 飞轮
333	397358		ARMATURE-MAGNETO
334	690306		拧 - (磁电枢)
334A	691621		拧 - (磁电枢)
347	691995		Switch-Rocker
356	398808		线, 停止 - (切成所需长度)
356A	690650		线, 停止
356B	690817		WIRE-STOP
356E	692390		线, 停止
359	691077		垫圈 - (接地端)
373	691612		坚果 - (接地端)
474	494254		发马达
507	691972		绝缘子
520	691084		端子, 地面
578	692306		线组装
627	690474		BRACKET-STOPSWITCH
668	690531		垫片
729	690588		夹子, 线 - (卡入) (尼龙)
851	493880S		TERMINAL-SPARK PLUG
892	690646		开关, 钥匙
920	691656		电磁阀, 启动器
990	691959		套装, Key
1054	280275		束, 电缆
1119	691183		拧 - (发电线圈)

135200 to 135299



REF. NO.	PART NO.	DESCRIPTION	REF. NO.	PART NO.	DESCRIPTION	REF. NO.	PART NO.	DESCRIPTION
309	690658	Motor-Starter	697	693972	Screw (Drive Cap)	801	690835	Cap-Drive
310	690323	Bolt (Starter Motor)	697A	690298	Screw (Drive Cap)	802	691286	Cap-End
311	497608	Set-Brush				803		Housing-Starter (No Longer Available)
510	499308	Drive-Starter				1051	691265	Ring-Retaining
513	692024	Clutch-Drive	783	692353	Gear-Pinion	1090	691293	Retainer-Brush
544	692966	Armature-Starter	797	691029	Nut (Brush Retainer)	1195	691075	Washer (Drive Cap)

Engine Gasket Set-Reference 358
Carburetor Overhaul Kit-Reference 121

Valve Gasket Set-Reference 1095

2810-25

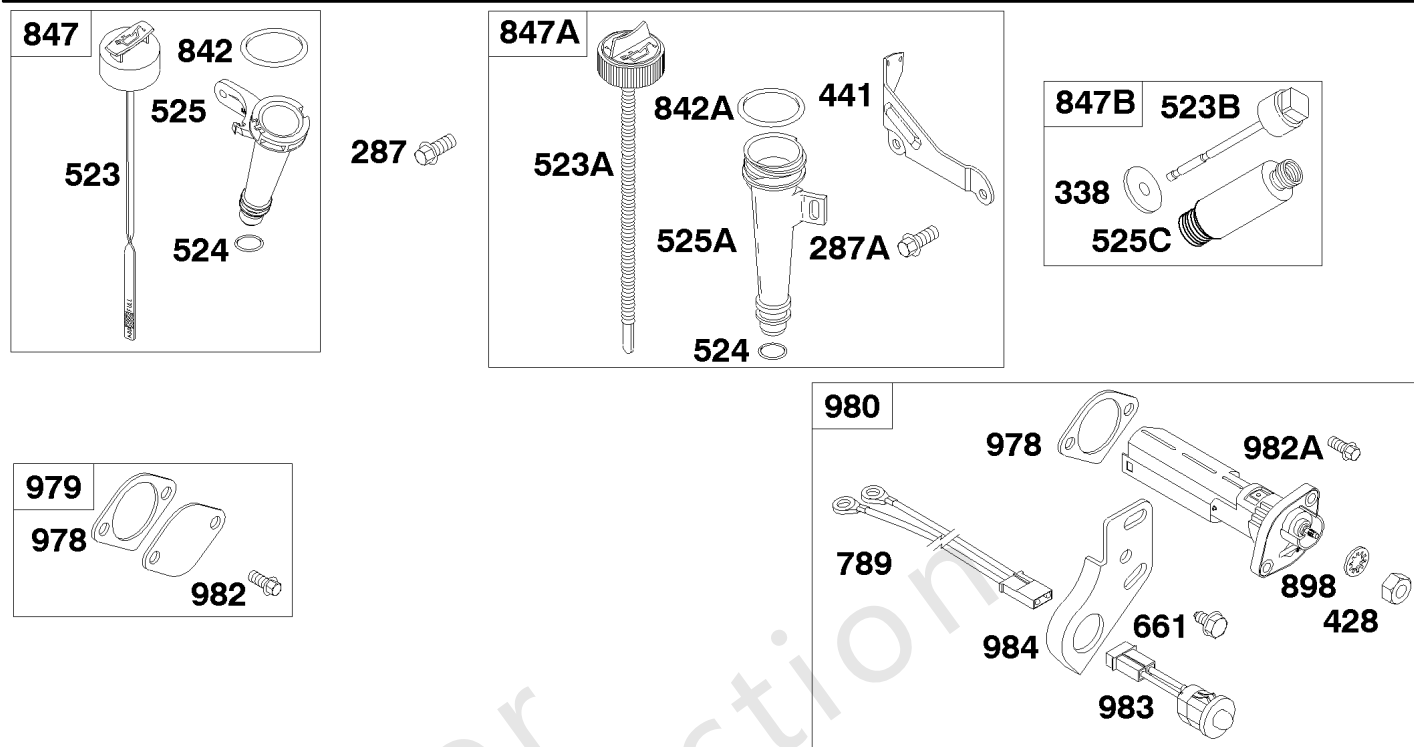
Assemblies include all parts shown in frames.

04/12/2012

电启动器

参考编号	零件号	数量	描述
309	690658		马达, 启动
310	690323		拧 - (启动马达)
311	497608		套装, 刷子
510	499308		DRIVE-STARTER
513	692024		离合器, 驱动器
544	692966		电枢, 启动
697	693972		拧 - (启动马达) (驱动器盖)
697A	690298		拧 - (启动马达) (驱动器盖)
783	692353		GEAR-PINION
797	691029		坚果 - (刷子保持器)
801	690835		盖, 驱动
802	691286		盖, 结束
803	-----		房屋起动 - (不再可用)
1051	691265		戒指, 保留
1090	691293		固定器, 刷子
1195	691075		垫圈 - (传动帽)

135200 to 135299



REF. NO.	PART NO.	DESCRIPTION	REF. NO.	PART NO.	DESCRIPTION	REF. NO.	PART NO.	DESCRIPTION
287		Screw (No Longer Available) (Dipstick Tube)	524	691876	Seal-Dipstick Tube	847	694381	Dipstick/Tube Assembly (Without Bracket) (Used After Code Date 99031400).
287A	691693	Screw (Dipstick Tube)	525	694379	Tube-Dipstick (31/32" ID Top) (Used After Code Date 99031400).	847A	691379	Dipstick/Tube Assembly (With Bracket) (Used Before Code Date 99031500).
338	690270	Gasket-Dipstick	525A	694531	Tube-Dipstick (1 1/64" ID Top) (Used Before Code Date 99031500).	847B	493955	Dipstick/Tube Assembly (Uses 691257 Dipstick Tube)
428	691612	Nut (OIL GARD®Kit)	525C	691257	Tube-Dipstick (Oil Filler Pipe Adapter) (3 1/8" Long)	898	691077	Washer (OIL GARD®Kit)
441	690448	Bracket-Oil Fill	661	690661	Screw (OIL GARD®Light Bracket)	978	273326	Gasket-OIL GARD®
523	499621	Dipstick (8 7/16" Flat Wire) (Used After Code Date 99031400).	789	398661	Harness-Wiring	979	691382	Cover-OIL GARD®
523A	691388	Dipstick (7 11/16" Spring) (Used Before Code Date 99031500).	842	691031	Seal-O Ring (Dipstick Tube) (Used After Code Date 99031400).	980	398182	Kit-OIL GARD®
523B	691942	Dipstick (4 13/16" Round Bar)	842A	691870	Seal-O Ring (Dipstick Tube) (Used Before Code Date 99031500).	982	690351	Screw (OIL GARD Cover)
		----- Note ----- 690777 Dipstick (8 11/16" Spring) Used on Type No(s). 0255, 0273, 0294, 0307, 0308, 1008, 1308.				982A	690350	Screw (OIL GARD Cover)
						983	398660	Light-Indicator
						984	692340	Bracket-OIL GARD®Light

Engine Gasket Set-Reference 358
Carburetor Overhaul Kit-Reference 121

Valve Gasket Set-Reference 1095

2810-27

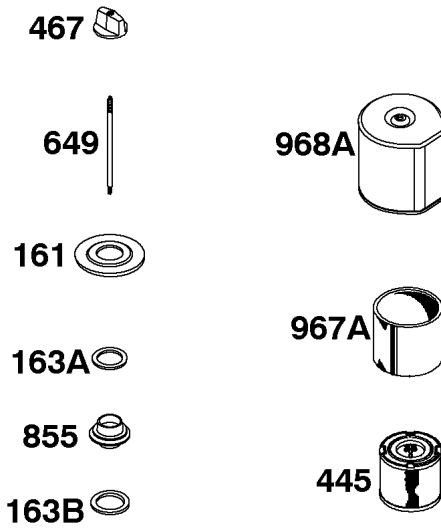
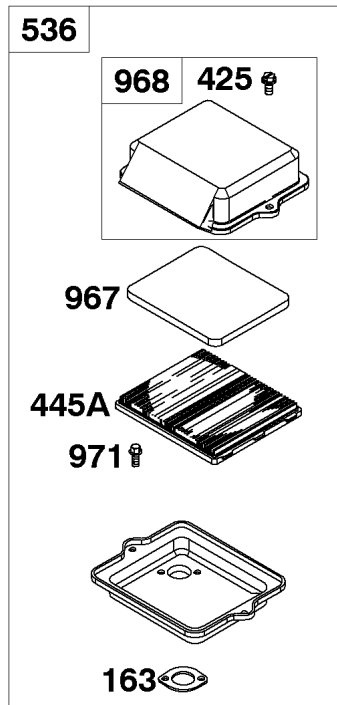
Assemblies include all parts shown in frames.

04/12/2012

石油集团

参考编号	零件号	数量	描述
287	-----		拧 - (机油尺管) (不再可用)
287A	691693		拧 - (试纸管)
338	690270		密封圈, O形圈 - (试纸管)
428	691612		坚果 - (机油保护套件)
441	690448		BRACKET-OIL FILL
523	499621		机油尺 -在代码日期99031400 -之后使用
523A	691388		机油尺 -在代码日期99031500 -之前使用
523B	691942		机油尺
524	691876		密封圈, O形圈
525	694379		管子, 机油尺 - (31/32内径顶部) 代码日期99031400后使用
525A	694531		管子, 机油尺 - (1 1/64内径上) 在代码日期99031500 -之前使用
525C	691257		管子, 机油尺 - (加油管适配器) (3 1/8)
661	690661		拧 - (机油保护 Light支架)
789	398661		线束, 接线
842	691031		密封圈, O形圈 - (试纸管) 代码日期99031400后使用
842A	691870		密封圈, O形圈 - (试纸管) 在代码日期99031500 -之前使用
847	694381		机油尺 / 管子组装 - (无支架) 代码日期99031400后使用
847A	691379		DIPSTICK/TUBE ASSY - (带支架) 代码日期99031500 -之前使用
847B	493955		机油尺 / 管子组装
898	691077		垫圈 - (机油保护套件)
978	273326S		GASKET-OIL GARD
979	691382		盖子, 护油
980	398182		KIT, Oil Gard
982	690351		拧 - (机油保护)
982A	690350		拧 - (机油保护)
983	398660		光, 指标
984	692340		支架, 油护灯

135200 to 135299



REF. NO.	PART NO.	DESCRIPTION	REF. NO.	PART NO.	DESCRIPTION	REF. NO.	PART NO.	DESCRIPTION
161	691735	Base-Air Cleaner	467	691668	Knob-Air Cleaner	967	491435	Filter-Pre Cleaner (Rectangular)
163	271935s	Air Cleaner Gasket (Standard, Oval)	536	494279	Cleaner-Air (Rectangular)	967A	271466	Filter-Pre Cleaner (Round)
163A	271139s	Air Cleaner Gasket (1 5/8" O.D. Round)	649	231332	Stud (Air Cleaner Cover, 1/4" Diameter)	968	692321	Cover-Air Cleaner (Rectangular)
163B	690580	Air Cleaner Gasket (1 15/16" O.D. Round)	----- Note -----			968A	493822	Cover-Air Cleaner (Canister)
425	694515	Screw (Air Cleaner Cover)		691248	Stud (Air Cleaner Cover, 1/2" Diameter)	971	690370	Screw (Air Cleaner Base)
445	396424	Filter-Air Cleaner Cartridge (Canister)			Used on Type No(s). 0185, 0263, 1263.			
445A	491588	Filter-Air Cleaner Cartridge (Rectangular)	855	690599	Adapter-Air Cleaner			

Engine Gasket Set-Reference 358
Carburetor Overhaul Kit-Reference 121

Valve Gasket Set-Reference 1095

2810-18

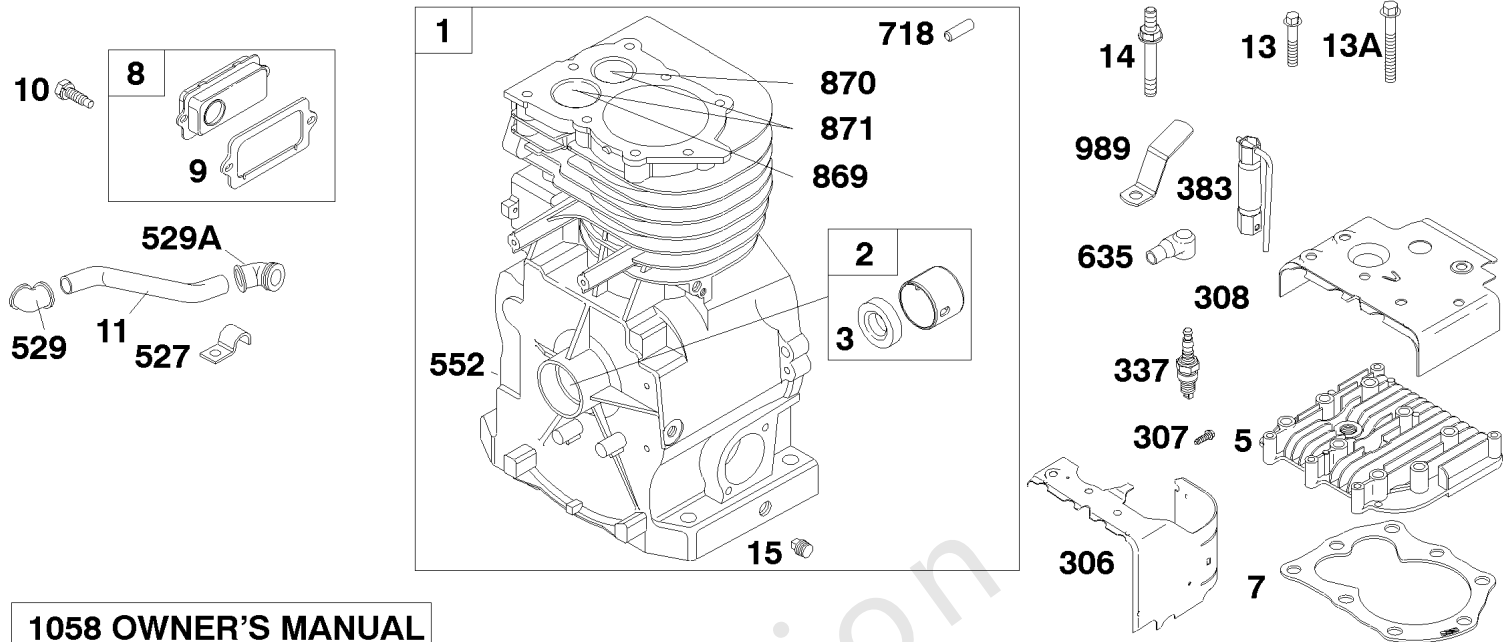
Assemblies include all parts shown in frames.

04/12/2012

空气滤清器组件

参考编号	零件号	数量	描述
161	691735		底座, 空气滤清器
163	271935S		垫片, 空气滤清器 - (标准) (椭圆形)
163A	271139S		垫片, 空气滤清器 - (1 5/8外径)
163B	690580		垫片, 空气滤清器 - (1 15/16外径)
425	694515		拧 - (空气滤清器盖)
445	396424S		过滤器, 空气滤清器盒 - (罐)
445A	491588S		过滤器, 空气滤清器盒 - (长方形)
467	691668		把手, 空气滤清器盖
536	494279		Cleaner-Air - (长方形)
649	231332		螺柱 - (空气滤清器盖)
855	690599		适配器, 空气滤清器
967	491435S		过滤器, 预滤 - (长方形)
967A	271466		过滤器, 预滤 - (回合)
968	794784		盖子, 空气滤清器
968A	493822		盖子, 空气滤清器
971	690370		拧 - (空气滤清器底座到化油器/节气门体)

135200 to 135299



1058 OWNER'S MANUAL

REF. NO.	PART NO.	DESCRIPTION	REF. NO.	PART NO.	DESCRIPTION	REF. NO.	PART NO.	DESCRIPTION
1		Cylinder Assembly (See previous page)	13	691640	Screw (Cylinder Head)	869	691705	Seat-Valve (Intake)
2	399269	Kit-Bushing/Seal (Magneto Side) (Used After Code Date 94012300). ----- Note ----- 297565 Kit-Bushing/Seal (Magneto Side) (Used Before Code Date 94012400).	13A	691659	Screw (Cylinder Head)	870	691701	Seat-Valve (Exhaust)
3	299819s	Seal-Oil (Magneto Side)	14	691690	Stud (Cylinder Head)	871	262001	Bushing-Valve Guide (Exhaust)
5	691716	Head-Cylinder	15	691686	Plug-Oil Drain (Standard)			----- Note ----- 63709 Bushing-Valve Guide (Intake)
7	272157s	Gasket-Cylinder Head	306	694514	Shield-Cylinder (Cylinder Shield)	989	221828	Stopswitch-Spark Plug Used on Type No(s). 1011, 1012.
8	699448	Breather Assembly	307	691660	Screw (Full)	1058	274266	Owner's Manual (Emission) ----- Note ----- 276646 Owner's Manual (Non Emission)
9	27549	Gasket-Breather	308	690473	Cover-Cylinder Head			
10	691666	Screw (Breather Assembly)	337	802592s	Plug-Spark			
11	231550	Tube-Breather ----- Note ----- 230722 Tube-Breather Used on Type No(s). 0299. 690517 Tube-Breather Used on Type No(s). 1011, 1012.	383	89838	Wrench-Spark Plug			
			527	691741	Clamp-Tube			
			529	692189	Grommet (90 Degree)			
			529A	692187	Grommet (120 Degree)			
			552	690508	Bushing-Governor Crank			
			635	66538	Boot-Spark Plug			
			718	690959	Pin-Locating			

Engine Gasket Set-Reference 358
Carburetor Overhaul Kit-Reference 121

Valve Gasket Set-Reference 1095

2810-3

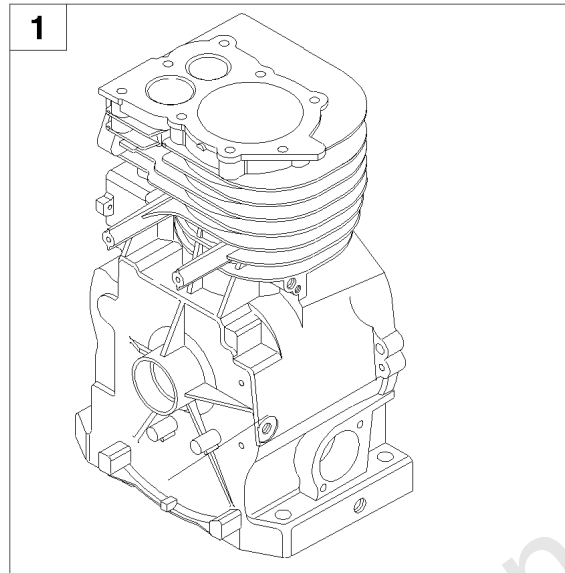
Assemblies include all parts shown in frames.

04/12/2012

缸体组件

参考编号	零件号	数量	描述
1	497144		缸体组件
2	796961		套件, 衬套/密封件 - (磁铁侧) 代码日期94012300后使用
2	297565		套件, 衬套/密封件 - (磁铁侧) 在代码日期94012400 -之前使用
3	299819S		海豹油 - (磁铁侧)
5	691716		头, 缸体
7	272157S		Gasket-Cylinder Head
8	791779		呼吸器 组件
9	27549S		垫片, 呼吸器
10	691666		拧 - (呼吸器组装)
11	231550		管子, 呼吸器
13	691640		拧 - (缸头)
13A	691659		拧 - (缸头)
14	691690		螺柱 - (缸头)
15	691686		PLUG-OIL DRAIN - (标准)
306	694514		Shield-Cylinder
307	691660		拧 - (缸体护罩)
308	690473		盖子, 缸头
337	796112S		PLUG-SPARK
383	89838S		Wrench-Spark Plug
527	691741		夹子, 软管
529	692189		索环 - (90度)
529A	692187		索环 - (120度)
552	690508		布什, 调速克拉克
635	66538S		帽, 火花塞
718	690959		销, 定位
1058	272646		手动, 操作员 - (非排放)
1058	274266		手动, 操作员 - (发射)

135200 to 135299



REF. NO.	PART NO.	DESCRIPTION	REF. NO.	PART NO.	DESCRIPTION	REF. NO.	PART NO.	DESCRIPTION
1	497144	Cylinder Assembly ----- Note ----- 494955 Cylinder Assembly Used on Type No(s). 0011, 0013, 0022, 0025, 0026, 0059, 0072, 0075, 0080, 0082, 0083, 0084, 0093, 0115, 0121,		0126, 0138, 0157, 0162, 0163, 0164, 0166, 0168, 0181, 0205, 0215, 0225, 0226, 0236, 0241, 0244, 0247, 0248, 0251, 0252, 0256, 0259, 0264, 0277, 0291, 0292, 0297, 0299, 0312, 0314,			0327, 0611, 0625, 0626, 0752, 0757, 0762, 0791, 1011, 1012, 1025, 1026, 1072, 1075, 1080, 1084, 1093, 1115, 1157, 1215, 1252, 1291, 1292, 1312, 1314, 1327, 1328, 1333, 1337, 1340.	

Engine Gasket Set-Reference 358
Carburetor Overhaul Kit-Reference 121

Valve Gasket Set-Reference 1095

2810-2

Assemblies include all parts shown in frames.

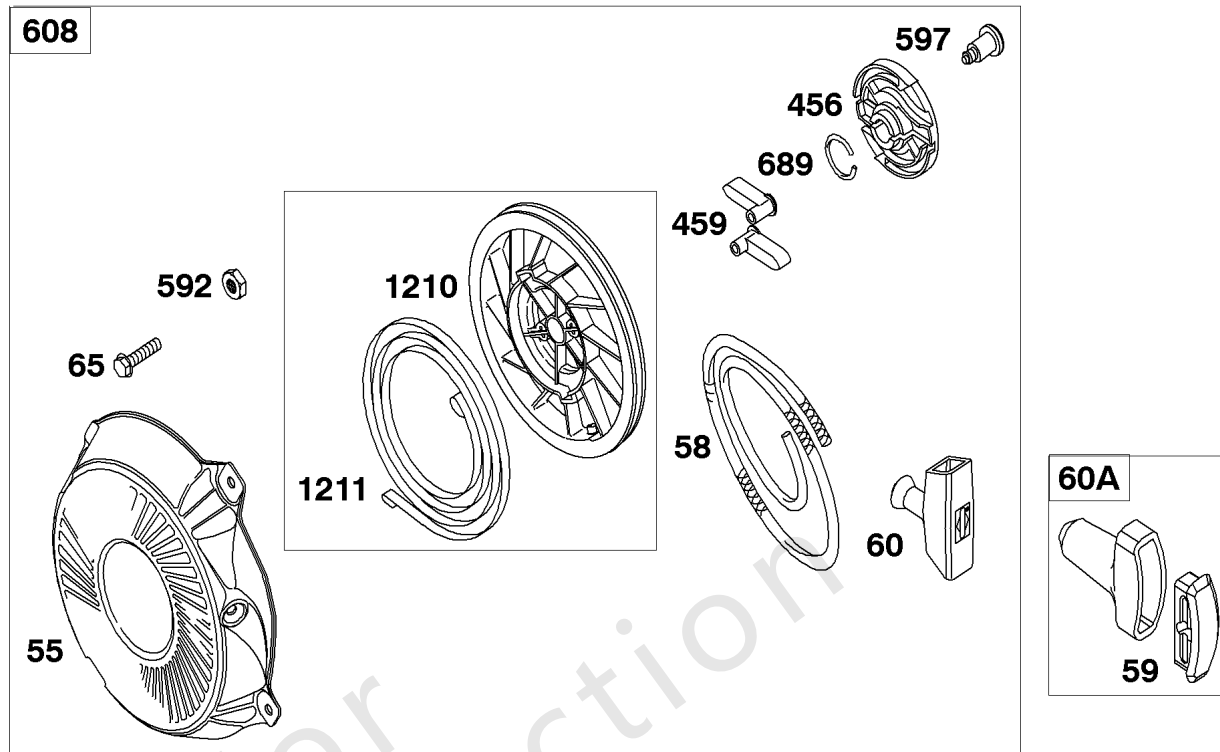
04/12/2012

缸体组类型编号

参考编号	零件号	数量	描述
1	497144		缸体组件

Not For Reproduction

135200 to 135299



REF. NO.	PART NO.	DESCRIPTION	REF. NO.	PART NO.	DESCRIPTION	REF. NO.	PART NO.	DESCRIPTION
55	691422	Housing-Rewind Starter	65	690837	Screw (Rewind Starter)	689C	691855	Spring-Friction (Ratchet Pawl)
58	691921	Rope-Starter (Cut To Required Length)	456	692299	Plate-Pawl Friction	1210	498144	Pulley/Spring Assembly (Pulley)
59	396892	Insert-Grip	459	281505	Pawl-Ratchet	1211	498144	Pulley/Spring Assembly (Spring)
60	691915	Grip-Starter Rope (1 Piece)	592	690800	Nut (Rewind Starter)			
60A	393152	Grip-Starter Rope (2 Piece)	597	691696	Screw (Pawl Friction Plate)			
			608	497830	Starter-Rewind			

Engine Gasket Set-Reference 358
Carburetor Overhaul Kit-Reference 121

Valve Gasket Set-Reference 1095

2810-23

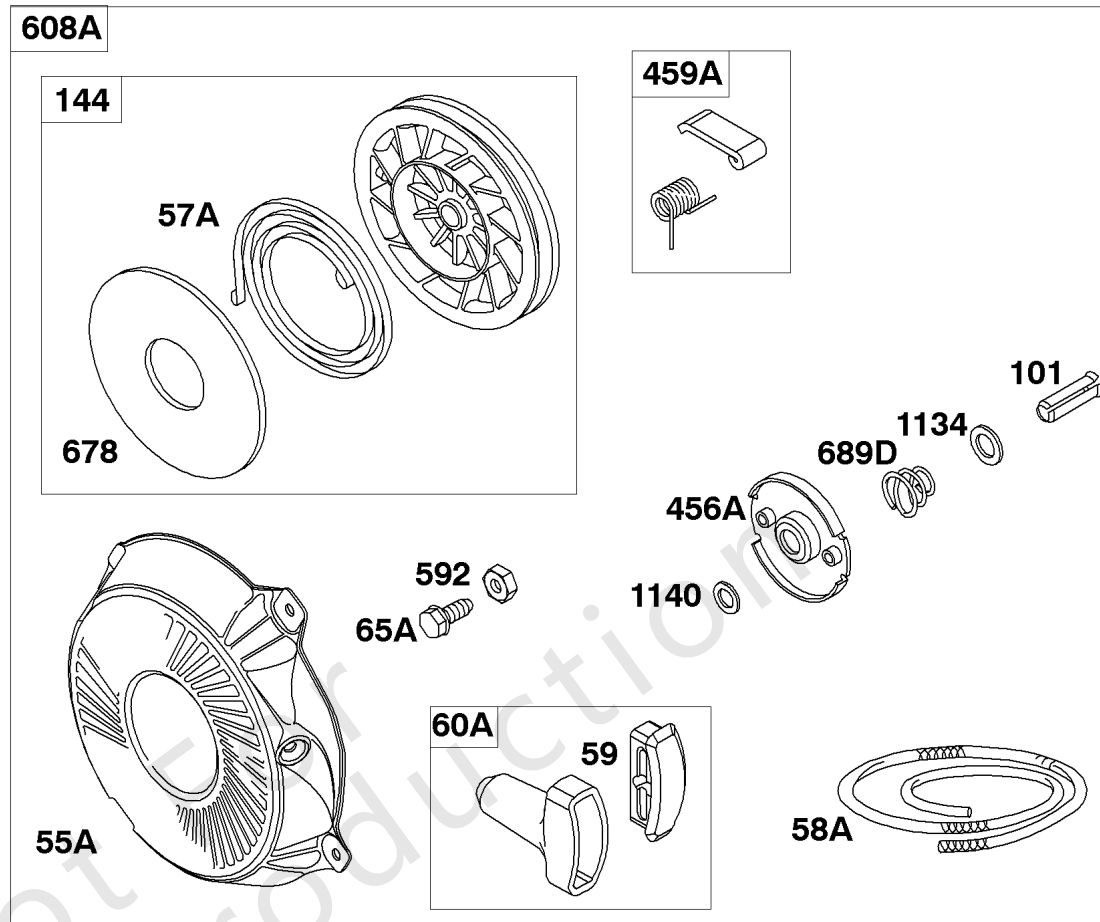
Assemblies include all parts shown in frames.

04/12/2012

自绕回弹组

参考编号	零件号	数量	描述
55	691422		壳, 自绕回弹入门
58	691921		绳, 启动 - (72) (切成所需长度)
59	396892		INSERT-GRIP
60	691915		紧握, 启动 绳 - (1片)
60A	393152		GRIP-STARTER ROPE - (2件)
65	690837		拧 - (启动拉盘)
456	692299		板爪摩擦
459	281505S		Pawl-Ratchet
592	690800		坚果 - (启动拉盘)
597	691696		拧 - (棘爪摩擦片)
608	497830		壳, 自绕回弹入门
689	691783		Spring-Friction - (仅怠速调整)
1210	498144		PULLEY/SPRING ASSY - (滑轮)
1211	498144		PULLEY/SPRING ASSY - (弹簧)

135200 to 135299



REF. NO.	PART NO.	DESCRIPTION	REF. NO.	PART NO.	DESCRIPTION	REF. NO.	PART NO.	DESCRIPTION
55A		Housing- Rewind Starter (For Complete Rewind Starter Housing Service, See Ref 608, Previous Page)	60A	393152	Grip-Starter Rope	608A		Starter-Rewind (For Complete Rewind Starter Service, See Ref 608, Previous Page)
57A	491889	Rewind Starter Spring	65A	94686	Screw (Rewind Starter)	678	224278	Rewind Spacer
58A	280406	Starter Rope (Cut To Required Length)	101	262626	Shaft Pin	689D	262625	Friction Spring
59	396892	Insert-Grip	144	493824	Starter Pulley	1134	498144	Washer (Pawl Friction Plate)
			456A	224321	Plate-Pawl Friction	1140	280973	Washer (Rewind Starter)
			459A	492833	Pawl-Ratchet (Rewind Starter)			
			592	690800	Nut (Rewind Starter)			

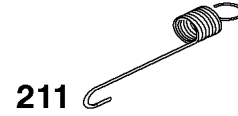
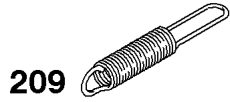
Engine Gasket Set-Reference 358
Carburetor Overhaul Kit-Reference 121

Valve Gasket Set-Reference 1095

自绕回弹组2

参考编号	零件号	数量	描述
55A	-----		Housing-Rewind Starter - (有关完整的启动拉盘罩服务, 请参见Ref 608, 上一页)
57A	491889		弹簧, 启动拉盘
58A	280406S		绳, 启动 - (切成所需长度)
59	396892		INSERT-GRIP
60A	393152		GRIP-STARTER ROPE - (2件)
65A	690759		拧 - (启动拉盘) (启动拉盘)
101	262626		销, 启动把手
144	493824		滑轮 / 弹簧组件 - (滑轮)
456A	224321		板, 棘爪摩擦
459A	492833		弹簧, 棘轮
592	690800		坚果 - (启动拉盘)
608A	-----		Starter-Rewind - (有关完整的启动拉盘服务, 请参见参考608, 上一页)
678	224278		垫片 - (自绕回弹)
689D	262625		弹簧, 摩擦 - (棘爪摩擦片)
1134	224322		垫圈 - (棘爪摩擦片)
1140	280973		垫圈 - (启动拉盘)

135200 to 135299



REF. NO.	PART NO.	DESCRIPTION	REF. NO.	PART NO.	DESCRIPTION	REF. NO.	PART NO.	DESCRIPTION	
209	690376	Spring-Governor (Rich Red) ----- Note ----- 691816 Spring-Governor (Black) Used on Type No(s). 0004, 0016, 0020, 0027, 0029, 0119, 0124, 0127, 0141, 0142, 0143, 0176, 0177, 0185, 0189, 0195, 0203, 0209, 0217, 0232, 0240, 0242, 0254, 0260, 0262, 0263, 0265, 0268, 0276, 0281, 0309, 0315, 0324, 1003, 1035, 1080, 1084, 1155, 1171, 1246, 1283, 1326, 1328, 1333. 690549 Spring-Governor (Blue) Used on Type No(s). 0018, 0215, 0225, 0248, 0603, 0607, 0611, 0615, 0623, 0625, 0635, 0636, 0649, 0660, 0670, 0671, 0679, 0700, 0702, 0704, 0717, 0730, 0740, 0747, 0759, 0762, 0767, 0779, 0780, 0784, 0788, 0790, 0814, 0815, 0913, 1005, 1007, 1008, 1009, 1011, 1019, 1023, 1025, 1036, 1049, 1050, 1060, 1070, 1071, 1073, 1079, 1105, 1106, 1139, 1140, 1143, 1146, 1147, 1153, 1154, 1157, 1158, 1159, 1161, 1167, 1169, 1173, 1179, 1180, 1186, 1190, 1194, 1196, 1197, 1200,			1216, 1219, 1223, 1231, 1238, 1245, 1250, 1258, 1259, 1271, 1284, 1288, 1289, 1296, 1299, 1301, 1304, 1308, 1310, 1313, 1314, 1317, 1318, 1320, 1329, 1330. 691817 Spring-Governor (Green) Used on Type No(s). 0026, 0038, 0082, 0115, 0129, 0151, 0160, 0162, 0164, 0166, 0199, 0211, 0241, 0244, 0252, 0311, 0327, 0626, 0638, 0729, 0752, 0791, 1026, 1038, 1115, 1129, 1160, 1252, 1291, 1327, 1340.				690550 Spring-Governor (Yellow) Used on Type No(s). 0059, 0072, 0075, 0083, 0093, 0126, 0163, 0228, 0251, 0292, 0297, 0312, 1072, 1093, 1292, 1312, 1342. 691845 Spring-Governor (Silver) Used on Type No(s). 0616, 0620, 0706, 0727, 0728, 1004, 1016, 1020, 1027, 1029, 1119, 1127, 1128, 1142, 1217, 1232, 1242, 1260, 1261, 1263, 1265, 1268, 1276, 1281, 1309, 1315, 1324, 1343, 1345. 692896 Spring-Governor (Bright Orange) Used on Type No(s). 1215.
						209C	692208	Spring-Governor (Green) Used on Type No(s). 0299, 1011, 1012.	
						211	691850	Spring-Governed Idle	

Engine Gasket Set-Reference 358
Carburetor Overhaul Kit-Reference 121

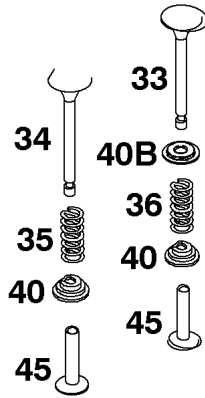
Valve Gasket Set-Reference 1095

调速弹簧

参考编号	零件号	数量	描述
209	690376		调速斯普林 - (红色)
211	691850		弹簧, 管理空闲

Not For Reproduction

135200 to 135299



REF. NO.	PART NO.	DESCRIPTION	REF. NO.	PART NO.	DESCRIPTION	REF. NO.	PART NO.	DESCRIPTION
33	211119s	Valve-Exhaust	35	690520	Spring-Valve (Intake)	40	692194	Retainer-Valve
34	261044s	Valve-Intake	36	692180	Spring-Valve (Exhaust)	40B	691760	Retainer-Valve (Exhaust)
						45	690509	Tappet-Valve

Engine Gasket Set-Reference 358
Carburetor Overhaul Kit-Reference 121

Valve Gasket Set-Reference 1095

2810-5

Assemblies include all parts shown in frames.

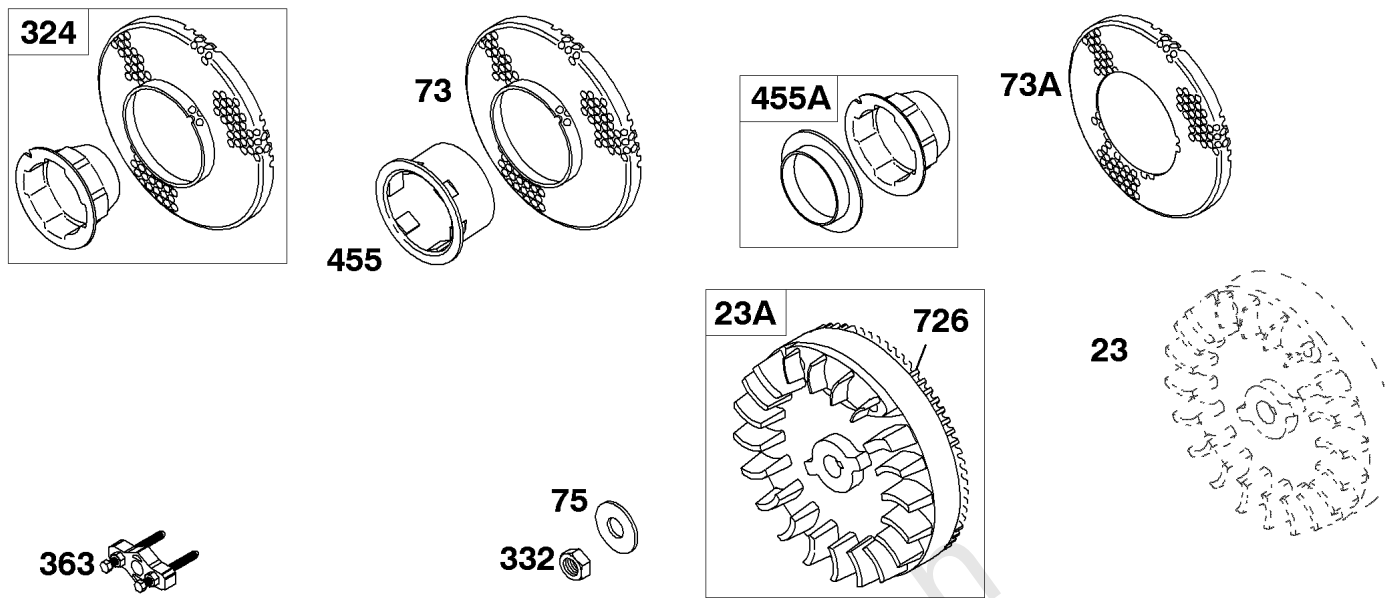
04/12/2012

阀门集团

参考编号	零件号	数量	描述
33	211119S		VALVE-EXHAUST
34	261044S		Valve-Intake
35	690520		Spring-Valve - (录取)
36	692180		Spring-Valve - (排气)
40	692194		保持器, 阀门
40B	691760		定位器阀门 - (排气)
45	690509		挺杆, 阀门

Not For Reproduction

135200 to 135299



REF. NO.	PART NO.	DESCRIPTION	REF. NO.	PART NO.	DESCRIPTION	REF. NO.	PART NO.	DESCRIPTION
23		Flywheel (No Longer Available) (Rewind Start)	75	690582	Washer (Flywheel)	455	224250	Cup-Flywheel (Straight Side Cup) (Used Before Code Date 95020300).
23A	690820	Flywheel (With Ring Gear)	324	695161	Screen/Cup Assembly (Used After Code Date 95010800).	455A	494770	Cup-Flywheel (Straight Side Cup With Rotating Screen Ring)
73	224883	Screen-Rotating (Used Before Code Date 95020300).	332	690662	Nut (Flywheel)	726	495765	Gear-Ring (Includes Mounting Hardware)
73A	695161	Screen-Rotating (Used After Code Date 95010800).	363	19069	Flywheel Puller			
		----- Note ----- 224974 Screen-Rotating (No Longer Available) (Used Before Code Date 95010900).						

Engine Gasket Set-Reference 358
Carburetor Overhaul Kit-Reference 121

Valve Gasket Set-Reference 1095

2810-21

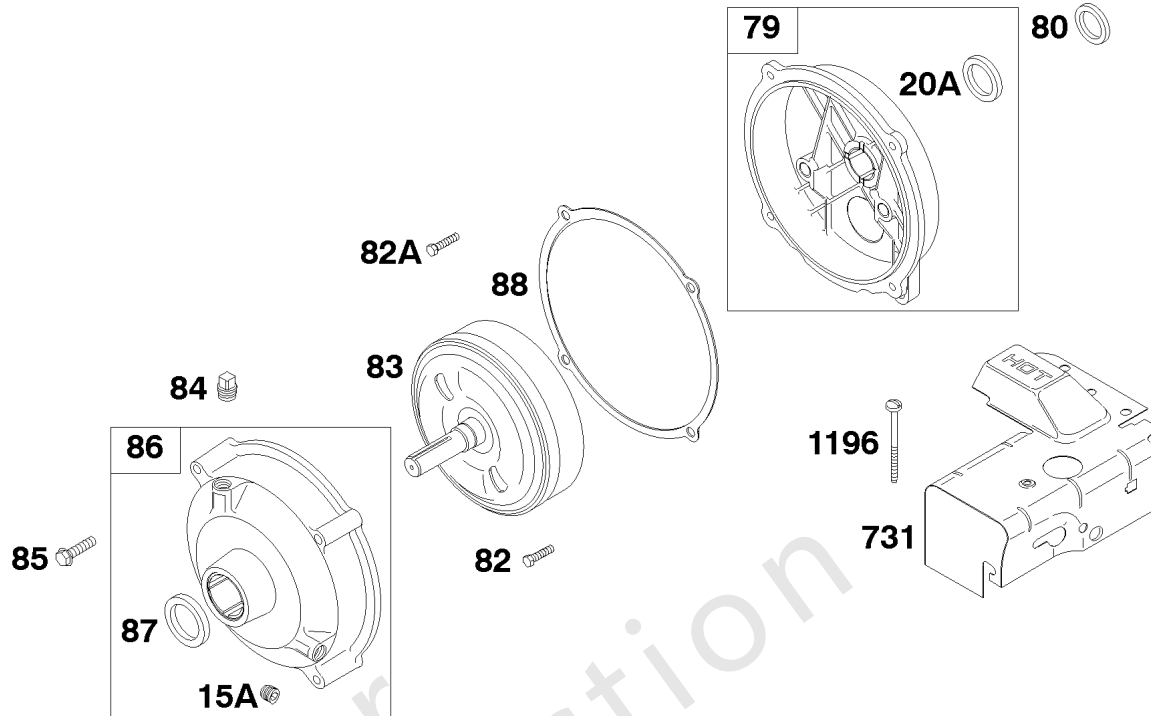
Assemblies include all parts shown in frames.

04/12/2012

飞轮, 旋转屏

参考编号	零件号	数量	描述
23A	690820		飞轮
73	224883		Screen-Rotating -在代码日期95020300 -之前使用
73A	695161		屏/杯子组装
73A	224974		屏, 旋转
324	695161		屏/杯子组装 - (锥形侧杯和旋转屏环)
324	695161		屏/杯子组装 -在代码日期95010800 -之后使用
332	690662		坚果 - (飞轮)
363	19069		拉拔器, 飞轮
455	224250		Cup-Flywheel - (直边杯) 在代码日期95020300 -之前使用
455A	494770		杯, 飞轮 - (直边杯)
726	495765		齿轮, 环 - (包括安装硬件)

135200 to 135299



REF. NO.	PART NO.	DESCRIPTION	REF. NO.	PART NO.	DESCRIPTION	REF. NO.	PART NO.	DESCRIPTION
15A	691682	Plug-Oil Drain Plug (Flush)	82	690369	Screw (Gear Reduction Case)	86	690608	Cover-Gear
20A	299819	Seal-Oil (PTO Side) (5/32" I.D. Without Spring)	82A	699164	Screw (Gear Reduction Case)	87	691582	Seal-Gear Reduction
79	690605	Case-Gear Reduction	83	690374	Shaft-Auxiliary Drive	88	691600	Gasket-Gear Reduction Cover
80	691602	Gasket-Gear Case	84	691121	Plug-Breather	731	399183	Hood-Snow
			85	691117	Screw (Gear Cover to Gear Reduction)	1196	93977	Screw (Snow Hood)

Engine Gasket Set-Reference 358
Carburetor Overhaul Kit-Reference 121

Valve Gasket Set-Reference 1095

2810-26

Assemblies include all parts shown in frames.

04/12/2012

齿轮减速组/雪罩

参考编号	零件号	数量	描述
15A	691682		PLUG-OIL DRAIN - (冲洗)
79	690605		案例, 齿轮减速
80	691602		垫片, 齿轮箱
82	690369		拧 - (齿轮减速箱)
82A	699164		拧 - (齿轮减速箱)
83	690374		轴, 辅助驱动器
84	691121		PLUG-BREATHER
85	691117		拧 - (齿轮盖)
86	690608		盖子, 齿轮
87	691582		密封, 齿轮减速
88	691600		垫圈, 齿轮盖/壳体
731	492291		罩, 雪
1196	93977		拧 - (雪罩)

