

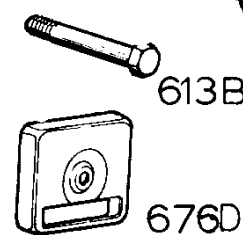
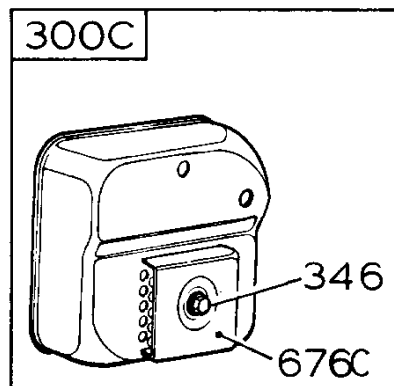
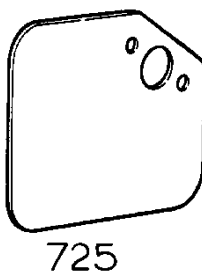
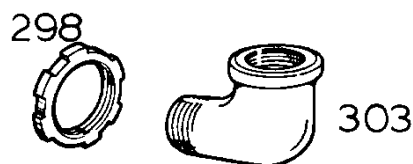
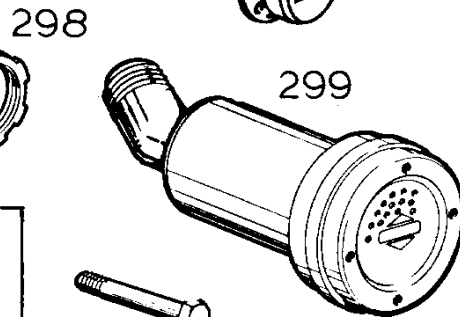
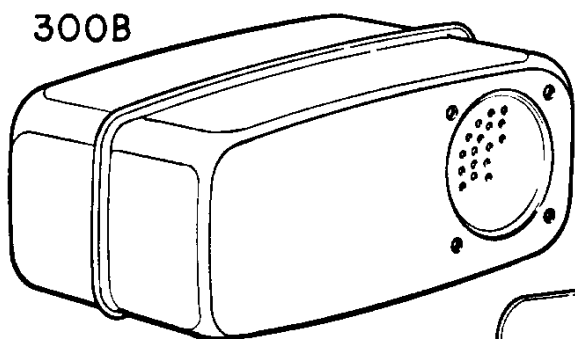
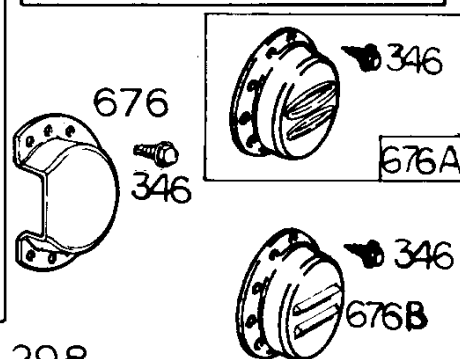
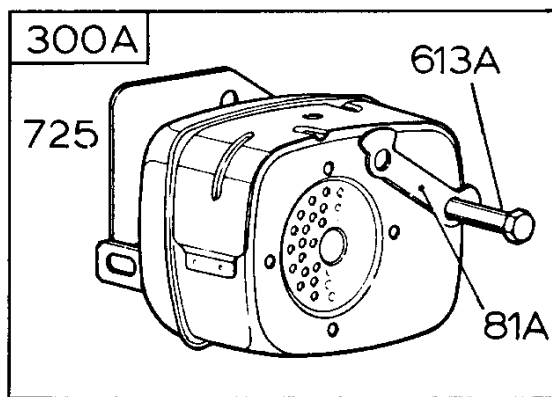
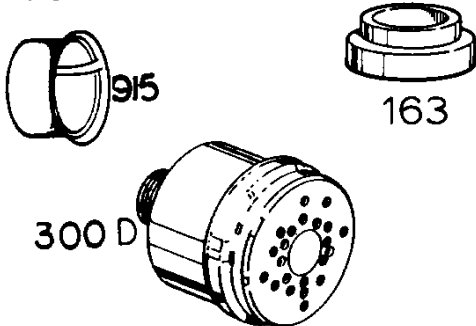
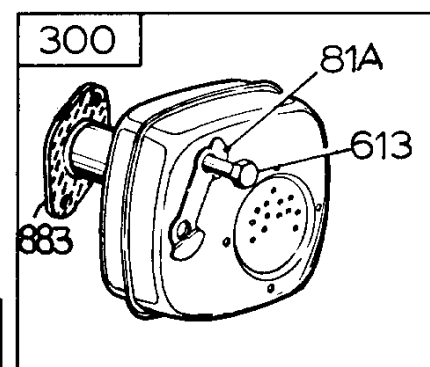
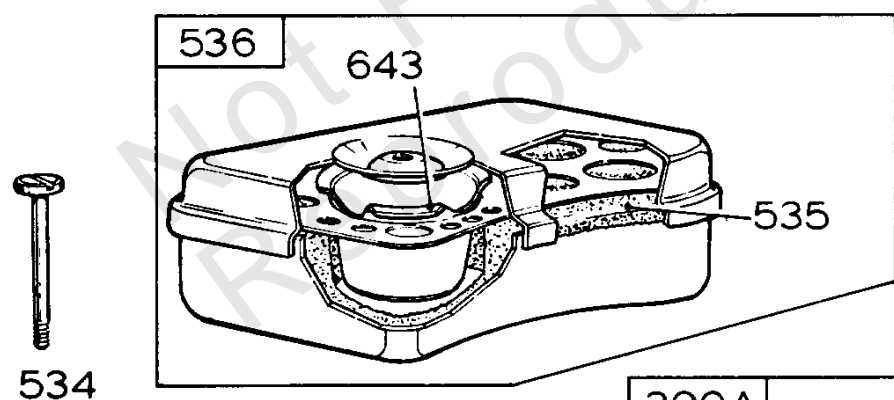
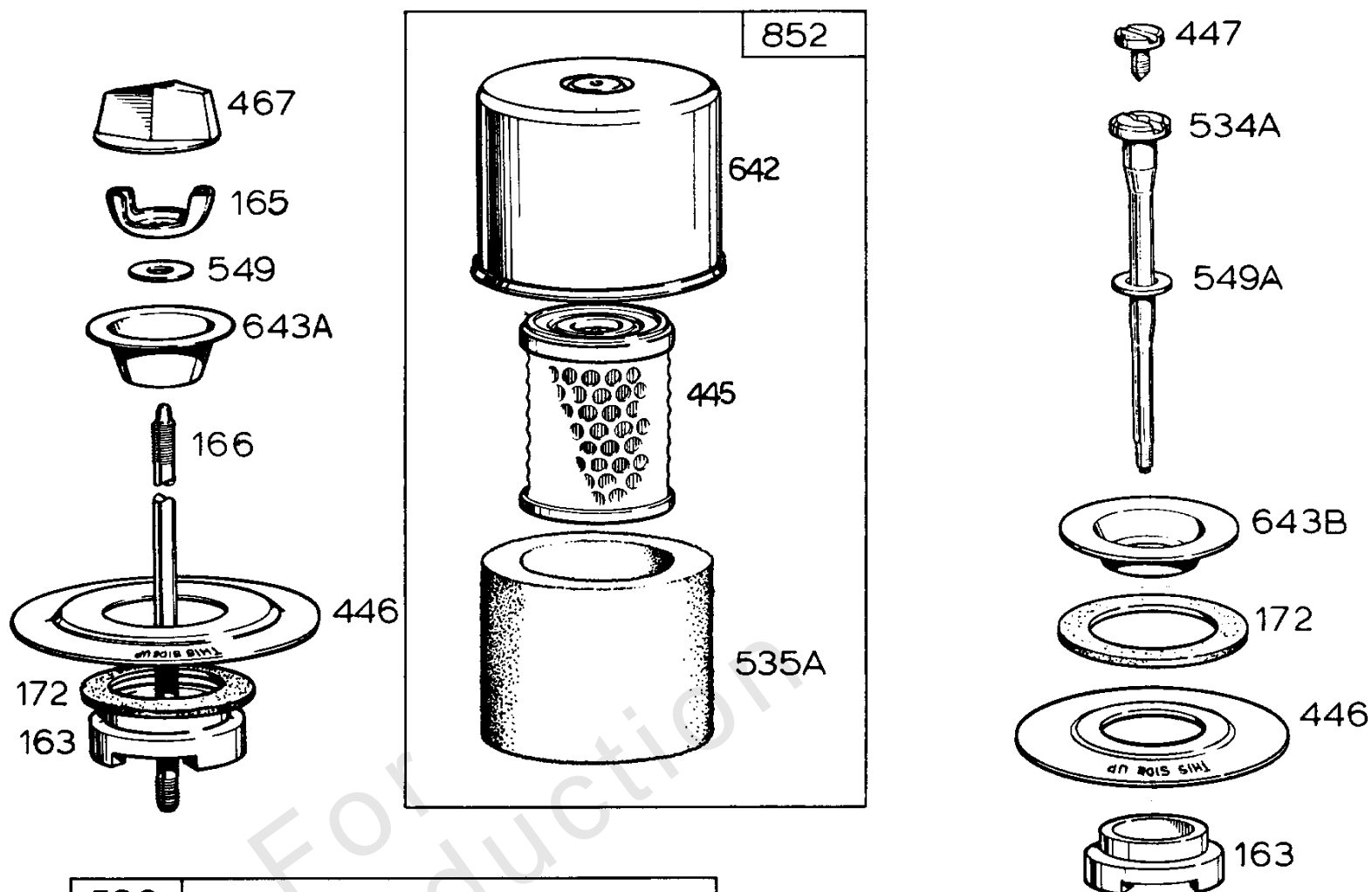


Parts Manual

Mfg. No: 130292-1025-99

Model Components	Page
Air Cleaner Groups, Mufflers.	4
Blower Hsg, Flywheel, Rewind.	8
Carburetor & Fuel Tank Assy.	14
Cylinder, GearCase, Piston Grp.	20
Electric Starter.	28
Replacement Engine - US & Canada.	30
Sno-Gard Assemblies, Rewind.	31

Not For
Reproduction

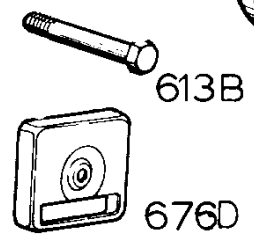
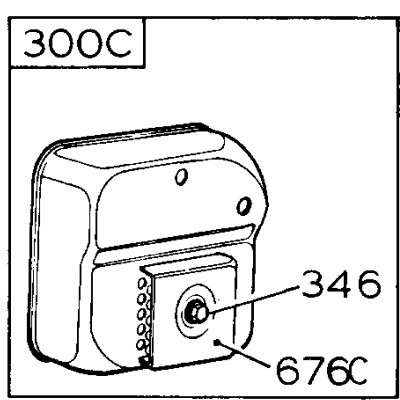
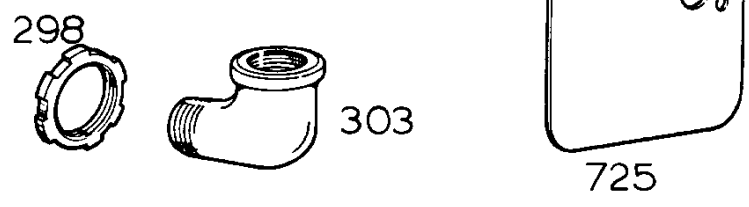
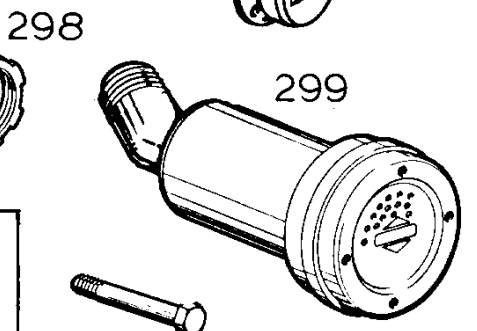
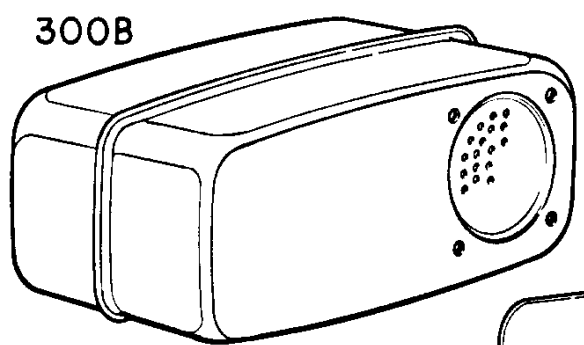
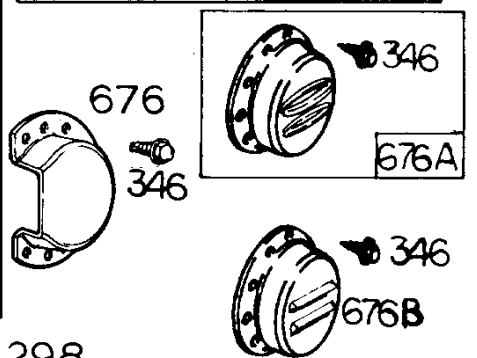
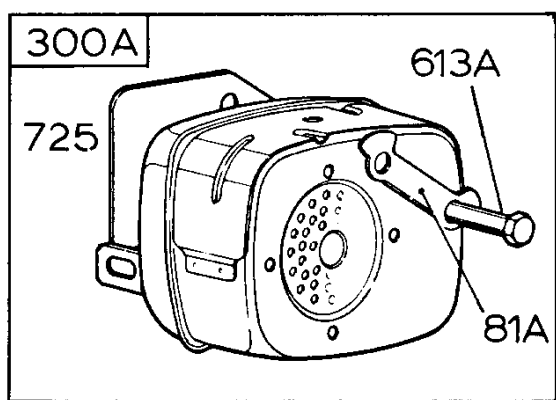
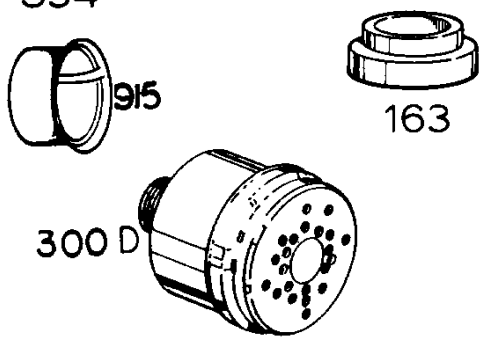
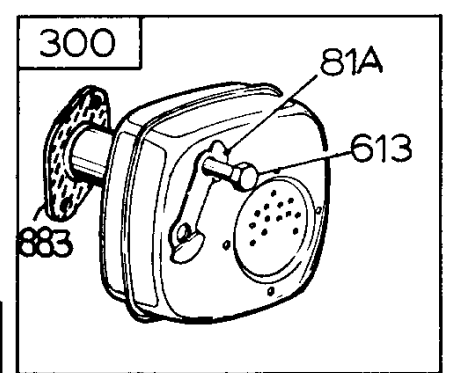
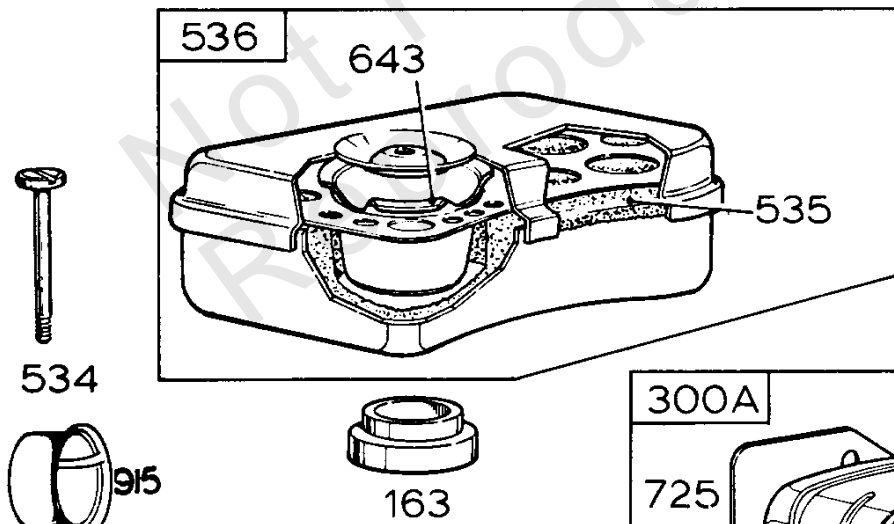
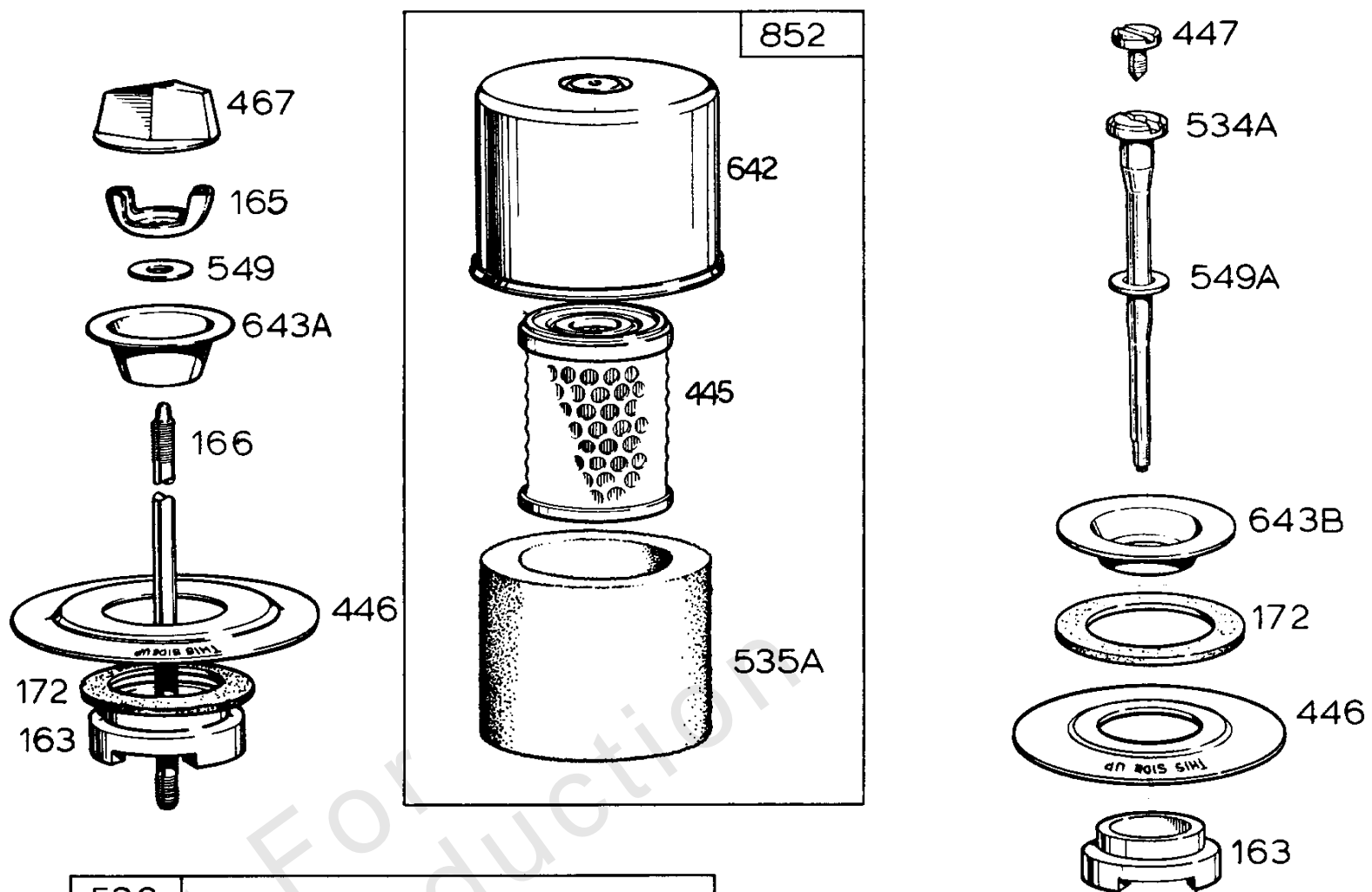


Air Cleaner Groups, Mufflers

REF NO	PART NO	QTY	DESCRIPTION
81A	222929		LOCK, Muffler Screw -(1/4 Diameter)
81A	222263		LOCK, Muffler Screw -(3/8 Diameter Bolt Holes)
163	27660		GASKET, Air Cleaner
165	93856		NUT -(10-32)
166	231176		STUD -(Air Cleaner) (3/16)
172	271077		SPACER, Air Cleaner
298	261409		LOCKNUT -(Muffler and Elbow)
299	393368		MUFFLER -(20 Degree)
300C	297274		DEFLECTOR, Muffler
300B	392101		MUFFLER -(Super Lo Tone)
300D	391435		MUFFLER -(Lo Tone)
300A	391232		MUFFLER -Uses: 93415 Screw (Guard and Retainer Mounting) 93606 Screw (Guard and Muffler Mounting) 222379 Retainer-Muffler
300A	391313		MUFFLER
300	393615		MUFFLER -(Lo Tone) Parts furnished by equipment manufacturer:
303	91464		ELBOW, Exhaust -(90 Degree Street)
346	93705		SCREW -(8-32 X 3/8)
445	392308		FILTER, A/C Cartridge
446	222844		BASE, Air Cleaner
447	93913		SCREW
467	212293		KNOB, Choke Shaft
534A	93825		SCREW -(Air Cleaner)
534	230741		STUD -(Air Cleaner)
534	93322		SCREW -(1 15/16)
535A	270979		FILTER, Air Cleaner Foam
535	27987		FILTER, Air Cleaner Foam
535	390492		FILTER, A/C Cartridge -Uses: 390588 Cover-Air Cleaner 221969 Support-Air Cleaner
536	297036		CLEANER, Air -(Used with Pull Choke Carburetor-Ref. 90A)
536	299593		CLEANER, Air -Uses: 221969 Support-Air Cleaner
549A	270978		WASHER -(Below Internal Screw Head)
549	271118		WASHER
613B	93377		SCREW -(Muffler)
613A	93704		SCREW -(Muffler)
613	93549		SCREW -(1/4-20)

Footnotes:

(For Stamped Rewind Housing)



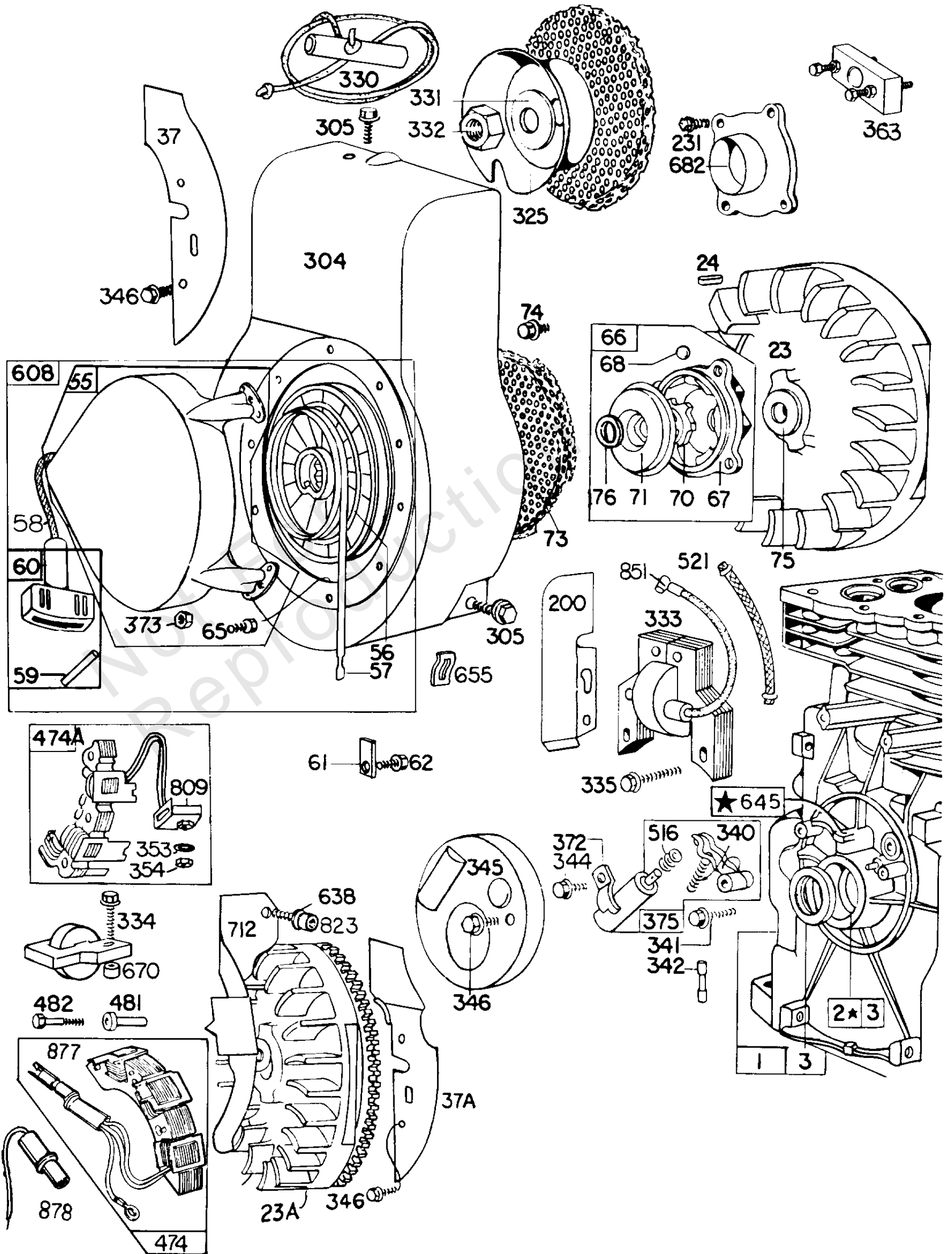
Air Cleaner Groups, Mufflers

REF NO	PART NO	QTY	DESCRIPTION
613	93935		SCREW -(Muffler)
642	222626		COVER, Air Cleaner
643A	222845		SUPPORT, Foam Element -(1/2 Deep)
643B	222594		SUPPORT, Foam Element -(1/4 Deep)
643	221321		CUP, Air Cleaner
676D	221527		DEFLECTOR, Muffler -(Direct Outlet)
676C	221488		DEFLECTOR, Muffler -(Side Outlet)
676B	393758		DEFLECTOR, Muffler -(Louvered Outlet)
676A	393759		DEFLECTOR, Muffler -(Direct Outlet)
676	393757		DEFLECTOR, Muffler -(Side Outlet)
852	392368		CLEANER, Air -For Dual Element Air Cleaner Kit Order No. 393018
883	270918		GASKET, Exhaust
915	222933		LINER, Port

Not For
Reproduction

Footnotes:

(For Stamped Rewind Housing)

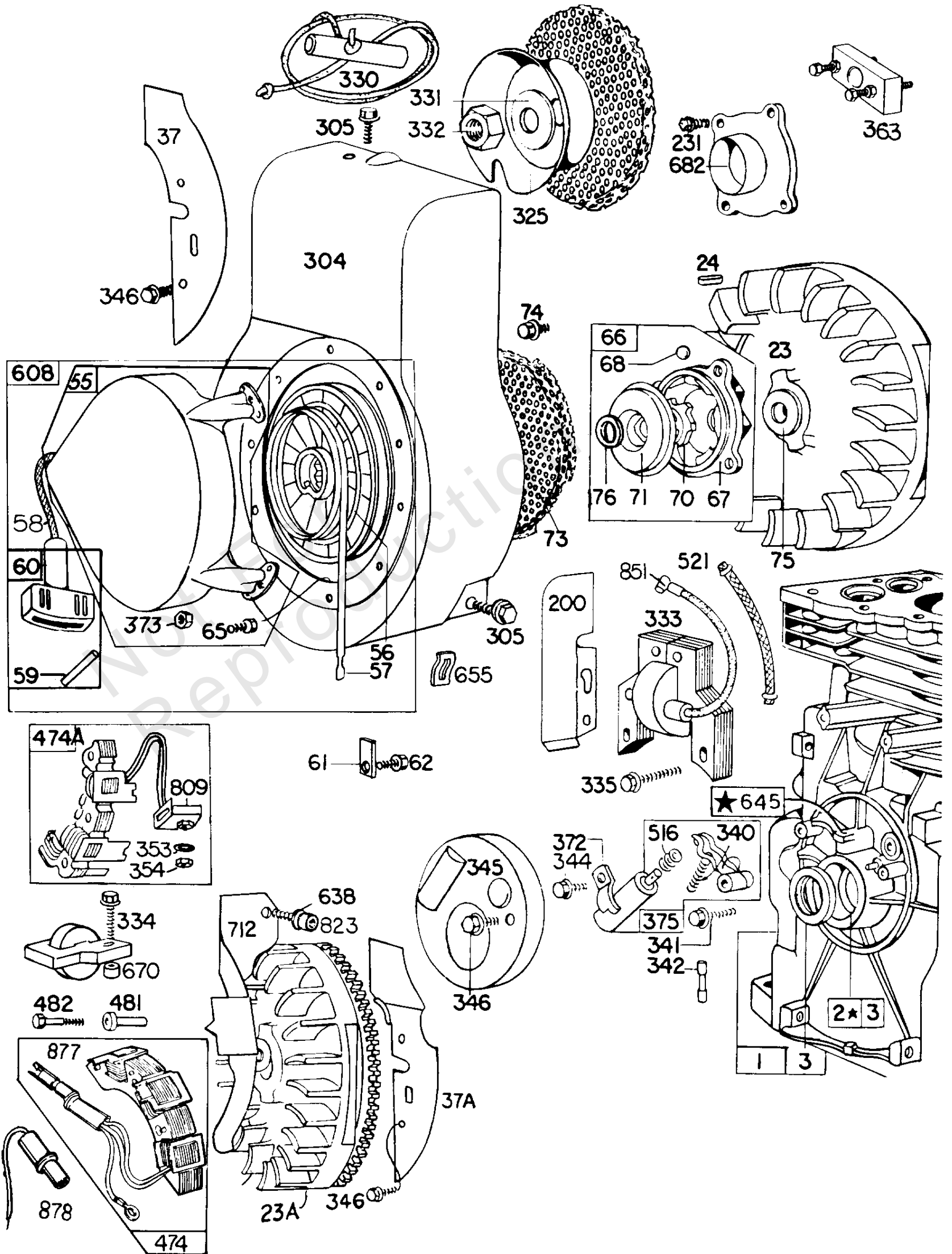


Blower Hsg, Flywheel, Rewind

REF NO	PART NO	QTY	DESCRIPTION
1	391977		CYLINDER ASSEMBLY
2	297565		KIT, Bushing/Seal
3	299819		SEAL, Oil -(Plain Bearing)
23A	390509		FLYWHEEL -(Includes Steel Ring Gear)
23	297229		FLYWHEEL
24	61760		KEY, Flywheel -(Breaker Ignition)
37A	222578		GUARD, Flywheel -(Electric Starter)
37	222443		GUARD, Flywheel
55	299431		HOUSING, Rewind Starter
56	295871		PULLEY, Starter -(63 Rope) If longer rope is required, order rope No. 66894 and cut to length.
57	294303		SPRING, Rewind Starter
58	66564		ROPE, Starter -(63 Rope) If longer rope is required, order rope No. 66574 and cut to length.
58	66884		ROPE, Starter -(Cut To Required Length) If longer rope is required, order rope No. 66894 and cut to length.
59	230228		PIN, Starter Grip
60	393152		GRIP-STARTER ROPE
61	68848		BUMPER, Starter Pulley
62	93254		SCREW -(Pulley)
65	92290		WASHER
65	93067		SCREW -(3/8)
65	93163		SCREW -Used Before Code Date 6909157
65	93414		SCREW
65	93572		SCREW -(10-32 X 3/8) -Used After Code Date 6909127
66	211424		PULLEY, Starter
66	298310		CLUTCH, Starter -(Rewind Starter)
66	298798		CLUTCH, Starter -(Rewind Starter) Uses: 212132 Housing-Starter Clutch 298799 Ratchet-Rewind Starter
67	212131		HOUSING, Clutch
68	63770		BALL, Clutch
70	230813		ADAPTER, Ratchet Spring
70	298436		RATCHET, Clutch -For other Specials see Ref. 66.
70	298799		RATCHET, Clutch -(engine W/Ring Gear on FW equipped for Elec Start)
70	66718		WASHER -(1-1/16 O.D. X 17/32 I.D.) (1 1/16 O.D. X 17/32 I.D.)
71	221653		WASHER
73	221923		SCREEN, Rotating
74	93490		SCREW -(Rotating Screen)

Footnotes:

(For Stamped Rewind Housing)

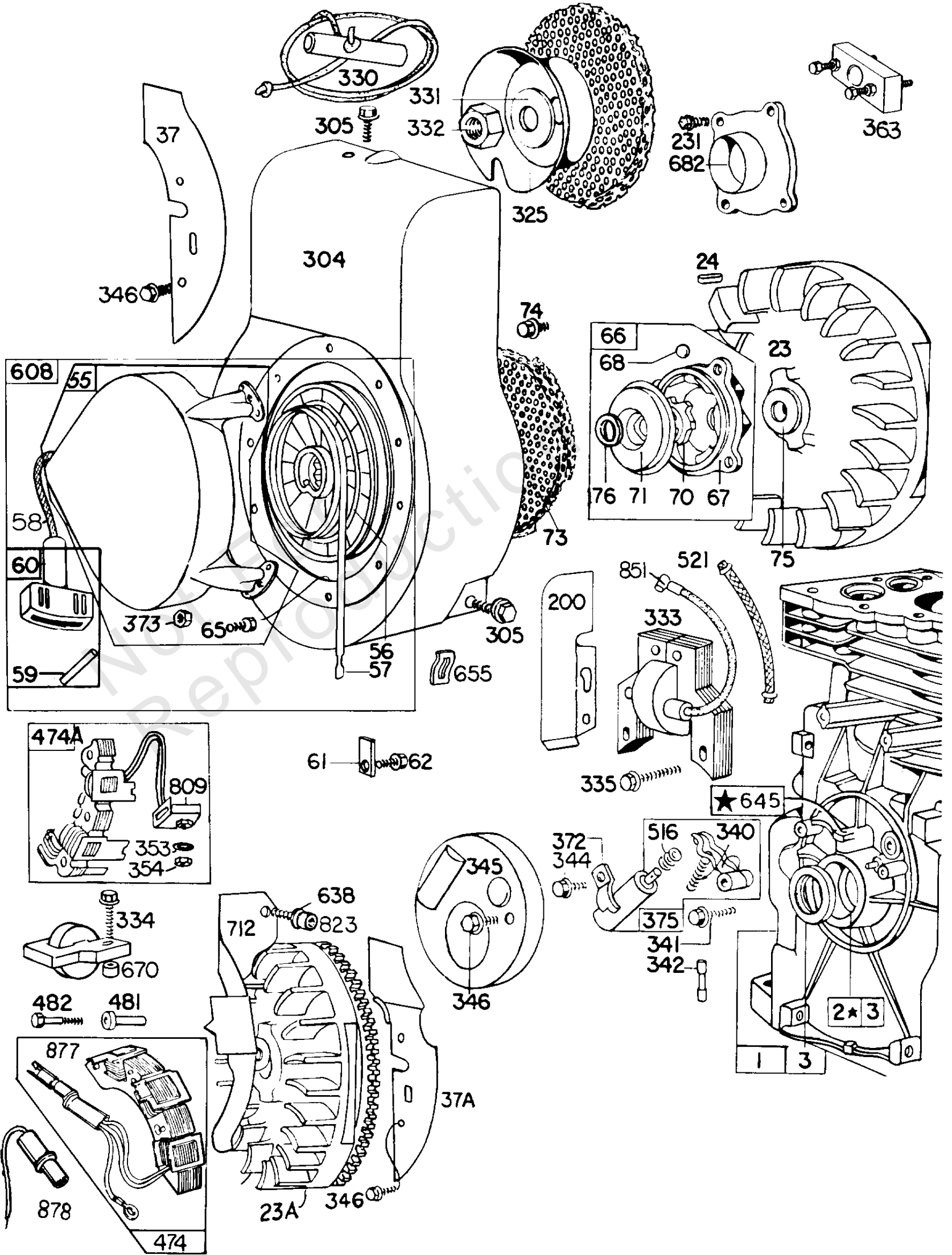


Blower Hsg, Flywheel, Rewind

REF NO	PART NO	QTY	DESCRIPTION
75	220865		WASHER -(Heavy Flywheel)
76	68238		SEAL, Ratchet
200	221480		GUIDE, Air
231	93064		SCREW
304	298572		HOUSING, Blower -Uses: 222060 Spacer Starter Housing to Blower Housing
304	299410		HOUSING, Blower
305	93158		SCREW -(1/4-20 X 5/8)
325	299421		PULLEY, Rope Starter -(With Screen)
330	69932		GRIP, Starter Rope
331	220865		WASHER -(Heavy Flywheel)
332	92284		NUT -(Flywheel)
333	298316		ARMATURE, Magneto -(Points And Condenser)
334	93613		SCREW -(Armature)
335	93414		SCREW
340	26018		SPRING, Breaker Arm
341	93381		SCREW
342	65704		PLUNGER, Breaker
344	93042		SCREW
345	220366		COVER, Breaker
346	93705		SCREW -(8-32 X 3/8)
353	92791		WASHER
354	90576		NUT -(Ground Terminal)
363	19069		PULLER, Flywheel
372	220477		CLAMP
373	92987		STARTER, Rewind
375	294628		BREAKER, Ignition
375	299061		BREAKER, Ignition -Includes: 294628 Set 65704 Plunger 61760 Key-Flywheel
474A	390410		ALTERNATOR
474	394173		ALTERNATOR
481	230970		BUSHING, Alternator
482	93639		SCREW
516	260374		SPRING, Condensor
521	298529		SHIELD, Protective
608	390463		STARTER-REWIND
638	93713		WASHER
645	23513		BUSHING, Plunger -(Used only with Breaker Point Ignition)
655	221014		ANCHOR, Rewind Spring -Used Before Code Date 73061111
655	222598		ANCHOR, Rewind Spring -Used After Code Date 73061011

Footnotes:

(For Stamped Rewind Housing)



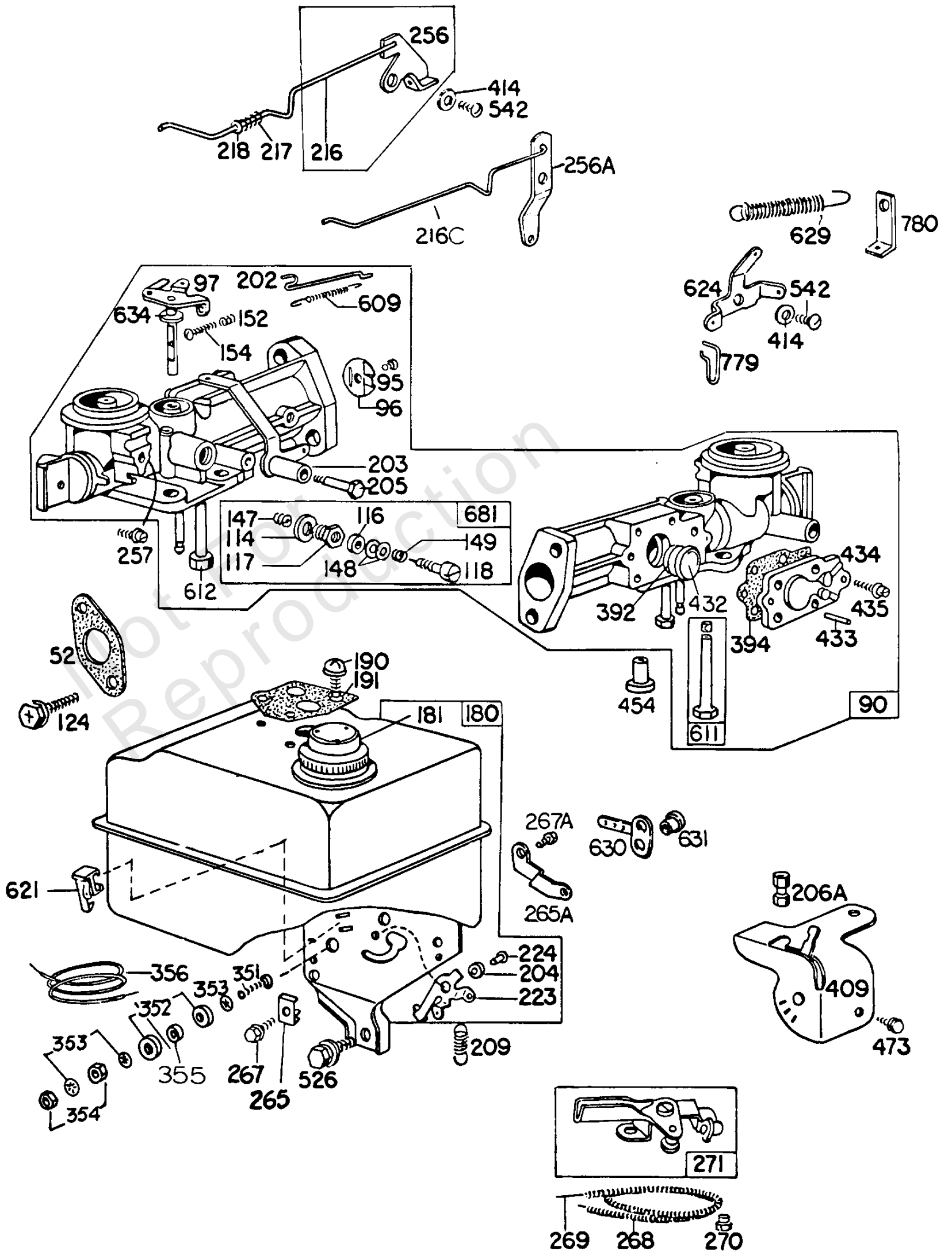
Blower Hsg, Flywheel, Rewind

REF NO	PART NO	QTY	DESCRIPTION
670	261065		SPACER
682	211516		SHIELD, Starter
712	222279		GUARD, Flywheel -(With Two Tabs For 1-1/8 Cut Out In Blower Hsg)
712	223140		GUARD, Flywheel -(With One Tab for 1-5/8 Cut Out in Blower Hsg)
809	390414		RECTIFIER
823	93712		SCREW
851	221798		TERMINAL, Spark Plug
877	393854		WIRE/CONNECTOR, Alternator
878	393422		WIRE ASSEMBLY -(Dc Only)

Not For
Reproduction

Footnotes:

(For Stamped Rewind Housing)

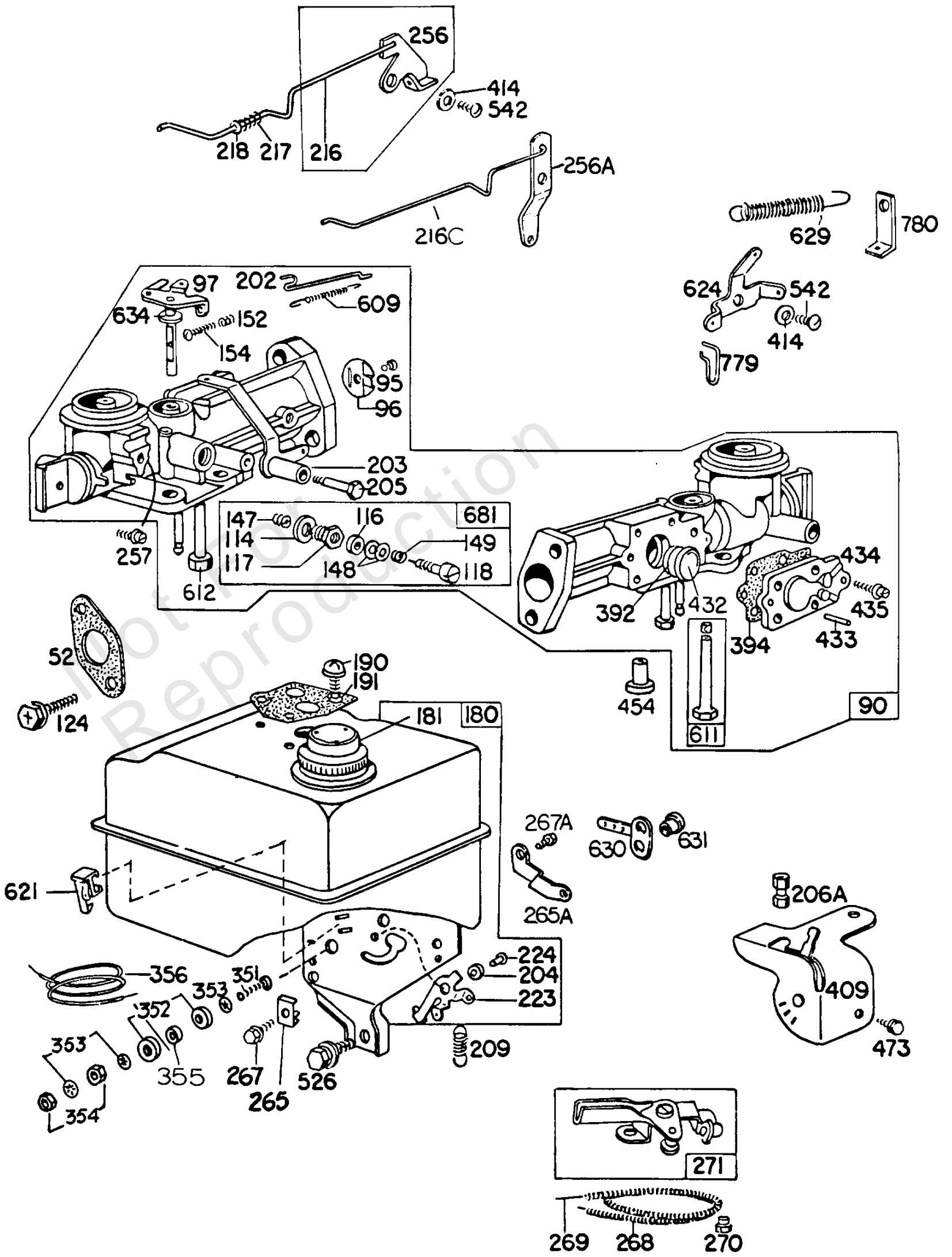


Carburetor & Fuel Tank Assy

REF NO	PART NO	QTY	DESCRIPTION
52	27355		GASKET, Intake -(2) Included in Gasket Set-Part No. 297615
90	299437		CARBURETOR
95	93499		SCREW -(Throttle Valve)
96	211203		VALVE, THROTTLE
97	299212		SHAFT, Throttle
114	66594		WASHER, Sealing -(Needle Valve)
116	65978		SEAL, O-Ring -(Needle Valve)
117	230590		NUT
118	23433		VALVE, Float Needle
124	93357		SCREW
147	230591		SEAT, Needle Valve
148	22235		WASHER
149	26336		SPRING, Needle Valve
152	260575		SPRING, Throttle Return
154	93527		SCREW -(5-40 X 5/8)
180	297600		TANK, Fuel -(3 Quart Tank)
180	395548		TANK, Fuel -(1 Quart) Uses: 395556 Bracket-Control
181	392304		CAP, Fuel Tank
190	93440		SCREW
191	27911		GASKET, Fuel Tank -(Pull Choke) Included in Gasket Set-Part No. 297615
202	260678		LINK, Throttle -(Mechanical Governor)
203	297718		CRANK, Bell -Used Before Code Date 79010500
203	393919		CRANK, Bell
204	222962		BUSHING, Lever
205	93838		SCREW -(6-32)
206A	280012		NUT, Governor Adjusting
209	260695		SPRING, Governor
216C	231093		LINK, Choke
216	299859		LINK, Choke
217	260189		SPRING, Friction
218	221198		WASHER
223	230943		LEVER, Governor Control -(With 1/2 Dia. Flange) Used With 93440 Screw-Sem and 93569 Spring Washer Or: 23688 Bushing-Governor Lever (with 3/8 dia. Flange) Used with 90597 Screw-Mach., Rd. Hd.-10-32 x 1/2 and 260847 Spring Washer
224	93491		RIVET
256A	222582		LEVER, Choke
256	299859		LINK, Choke
257	93543		SCREW -(10-32 X 3/8)
265A	222629		BRACKET, Casing Clamp
265	221535		CLAMP, Casing -(Stamped Steel)

Footnotes:

(For Stamped Rewind Housing)

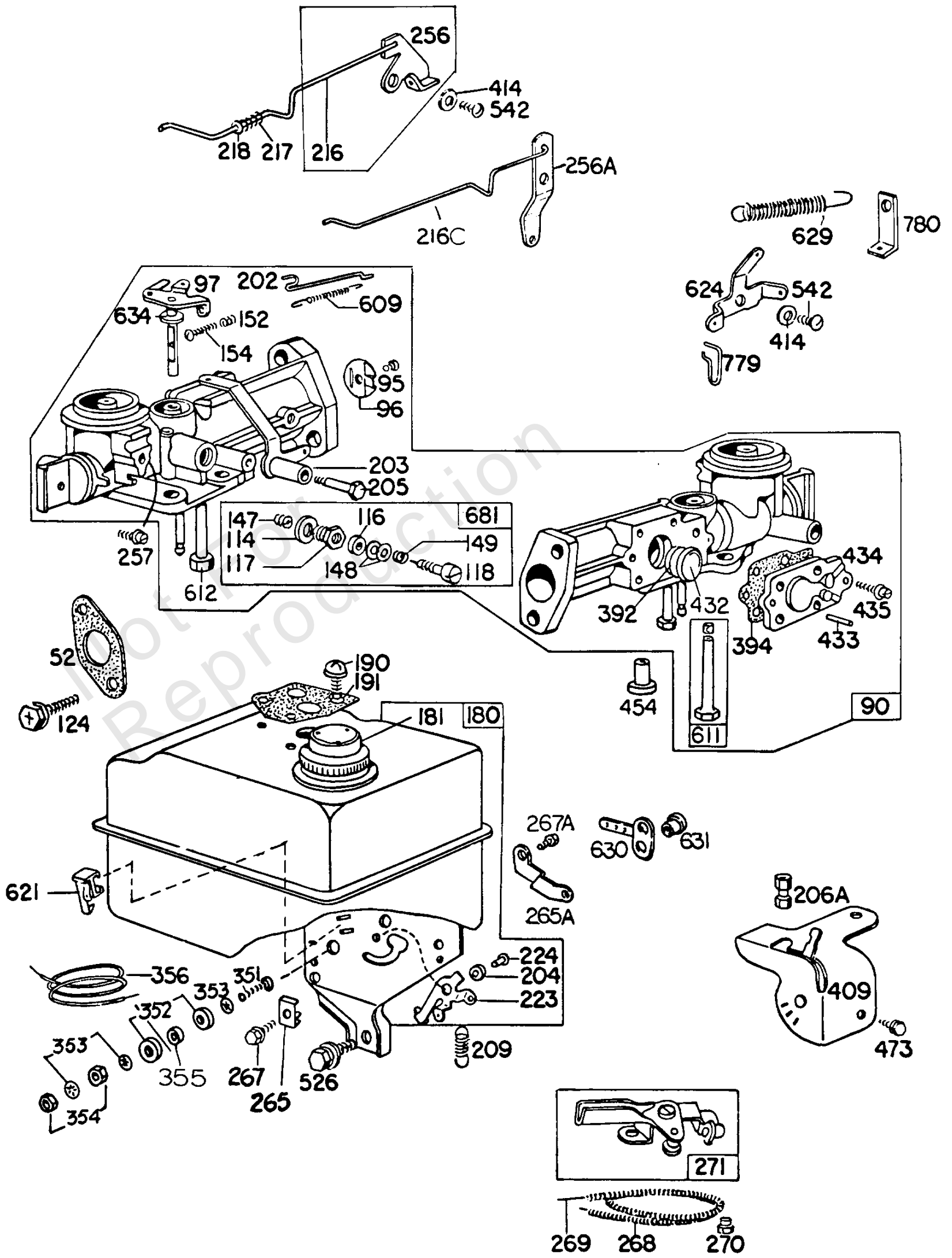


Carburetor & Fuel Tank Assy

REF NO	PART NO	QTY	DESCRIPTION
267A	93543		SCREW -(10-32 X 3/8)
267	93496		SCREW -(10-32 X 5/8)
268	66986		CASING, Control Wire -(Cut To Required Length)
269	26099		WIRE, Control -(Cut To Required Length) If longer wire is needed specify length in inches; if shorter wire is needed order No. 26099 and cut to required length.
270	63426		NUT -(Control Wire Casing)
271	290568		LEVER, Control
351	93735		SCREW
352	66068		WASHER -(Fiber)
353	92791		WASHER
354	90576		NUT -(Ground Terminal)
355	66554		WASHER -(Insulating)
356	299500		WIRE, Stop -(Used with Armature Refs. 333A and 333B)
392	260455		SPRING, Pump Diaphragm
394	270026		DIAPHRAGM, Carburetor
409	299837		CONTROL, Speed
414	220982		WASHER
432	221377		CAP, Spring
433	93265		PIN, Locating
434	210959		COVER, Diaphragm
435	93141		SCREW -(Diaphragm Cover)
454	296178		FILTER, Fuel -(3/16 O.D. Brass Pipe)
473	93475		SCREW
526	93343		SCREW -(Control Panel)
542	92265		SCREW
609	260694		SPRING, Governor Link -(Mechanical Governor)
611	391813		TUBE-PICK UP -(2 And 3 Quart Tanks)
612	296811		TUBE, Pick Up
621	297472		SWITCH, Stop
624	390383		LINK, Bell Crank -(Includes Bell Crank)
629	261094		SPRING, Throttle Return -(Throttle Return)
630	222597		LEVER, Governor Control
631	230852		KIT, Bushing/Seal
634	270167		SEAL, Choke/Throttle Shaft -(Felt)
681	299060		VALVE, High Speed -(Threaded)
779	390383		LINK, Bell Crank -(Includes Bell Crank)

Footnotes:

(For Stamped Rewind Housing)

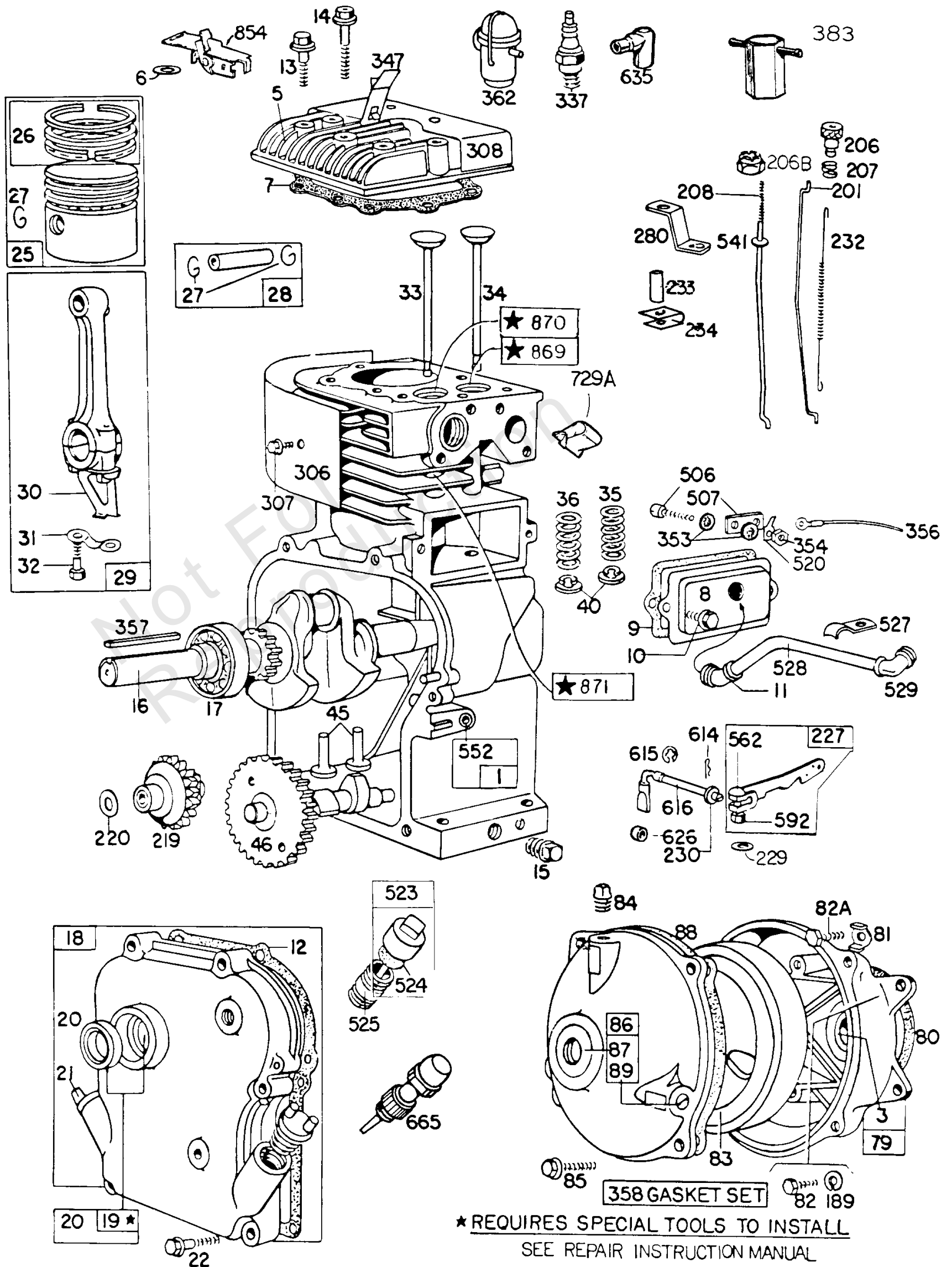


Carburetor & Fuel Tank Assy

REF NO	PART NO	QTY	DESCRIPTION
780	222101		ANCHOR, Spring

Not For
Reproduction

Footnotes:
(For Stamped Rewind Housing)



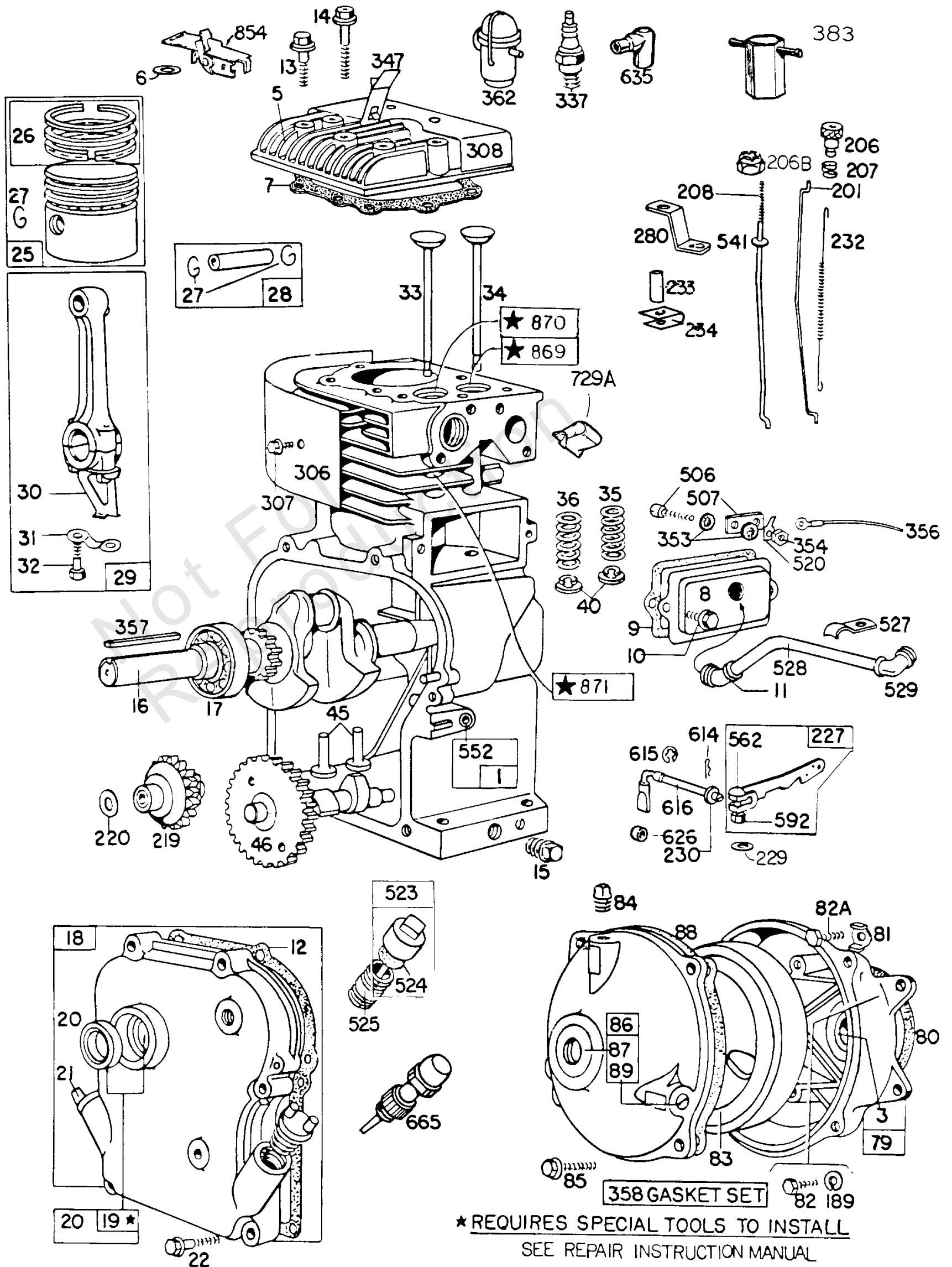
★ REQUIRES SPECIAL TOOLS TO INSTALL
SEE REPAIR INSTRUCTION MANUAL

Cylinder, Gear Case, Piston Grp

REF NO	PART NO	QTY	DESCRIPTION
1	391977		CYLINDER ASSEMBLY
3	299819		SEAL, Oil -(Plain Bearing)
5	211542		HEAD, Cylinder
6	22963		WASHER
7	270383		GASKET, Cylinder Head -Included in Gasket Set-Part No. 297615
8	294178		COVER, Breather Passage
9	27549		GASKET, Rocker Cover -Included in Gasket Set-Part No. 297615
10	93394		SCREW
11	66578		TUBE, Breather
12	270080		GASKET, Crankcase -(.015) Included in Gasket Set-Part No. 297615
12	270125		GASKET, CRANKCASE -(.005) Included in Gasket Set-Part No. 297615
12	270126		GASKET-CRKCSE/009 -(.009) Included in Gasket Set-Part No. 297615
13	93368		SCREW -(2 3/32)
13	93583		STUD -(Cylinder Head)
14	22963		WASHER
15	91249		PLUG, Oil Drain -(1/4 Square)
16	260938		CRANKSHAFT
17	99158		BEARING-BALL
18	298183		COVER, Crankcase
19	297603		KIT, Bushing/Seal
20	391484		SEAL, Oil -(1/2 Auxiliary Drive Shaft)
21	66768		PLUG, Oil
22	90832		SCREW -(Blower Housing)
25	298904		PISTON ASSEMBLY -(Standard)
25	298905		PISTON ASSEMBLY -(.010 Oversize)
25	298906		PISTON ASSEMBLY -(.020 Oversize)
25	298907		PISTON ASSEMBLY -(.030 Oversize)
26	298982		RING SET-STD -(Standard)
26	298983		SET, Ring -(.010 Oversize)
26	298984		RING SET-020 -(.020 Oversize)
26	298985		SET, Ring -(.030 Oversize)
26	299742		SET, Ring -(Standard)
27	26026		LOCK, Piston Pin
28	298908		PIN, Piston -(.005 Oversize)

Footnotes:

(For Stamped Rewind Housing)

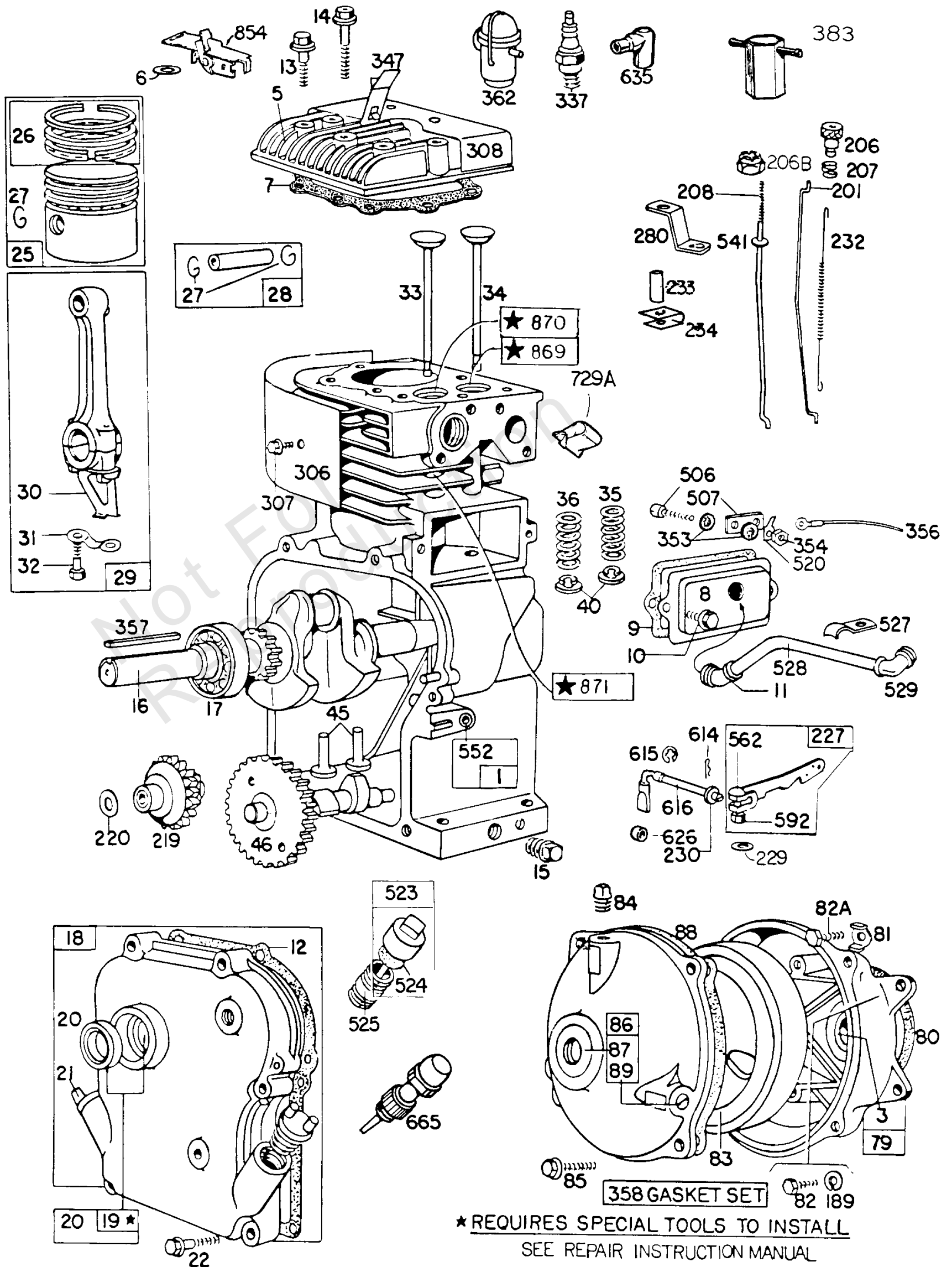


Cylinder, Gear Case, Piston Grp

REF NO	PART NO	QTY	DESCRIPTION
28	298909		PIN, Piston
29	299430		ROD, Connecting -For Connecting Rod with .020 undersize Crankpin Bore-Order No. 390459
30	221890		DIPPER, Connecting Rod
31	221876		LOCK, Screw Head
32	92296		SCREW -(Connecting Rod)
33	211119		VALVE, Exhaust
34	261044		VALVE, Intake -Used After Code Date 6908087
35	260552		SPRING, Valve -(Exhaust)
36	26478		SPRING, Valve -(Exhaust)
40	230126		PIN, Retainer
40	292259		RETAINER, Valve -(Exhaust)
40	93312		RETAINER, Valve -(Valves With Groove In Stem)
45	260642		TAPPET, Valve
46	211284		CAMSHAFT
79	290779		CASE, Gear Reduction
80	27667		GASKET, Gear Case
81	220234		LOCK, Muffler Screw
82A	92279		SCREW -(5/16-24 X 1/2)
82	91541		SCREW -(5/16-24 X 7/8)
83	211293		SHAFT, Auxiliary Drive
84	92617		SCREW -(Gear Case)
85	92747		SCREW -(Used on Two Top Holes to Mount Cover)
86	291730		COVER, Gear
87	19011		SEAL, Oil
88	27313		GASKET, Gear Cover/Housing
89	93448		PLUG, Oil Drain -(Flush) (1/4-18 NPTF) (Flush) (1/4 18 NPTF)
189	90366		WASHER
201	260661		LINK, Choke -Used Before Code Date 80053000
201	261558		LINK, Mechanical Governor -Used After Code Date 80052900
206B	93422		NUT
206	230149		NUT, Governor Adjusting -(5-44)
207	26855		SPRING, Governor Link
208	230737		ROD, Governor Control -(5-44) (9-1/8)
219	297656		GEAR, Governor -Used Before Code Date 75060607
219	391737		GEAR, Governor -Used After Code Date 75060507
220	221551		WASHER -(Governor Lever)

Footnotes:

(For Stamped Rewind Housing)

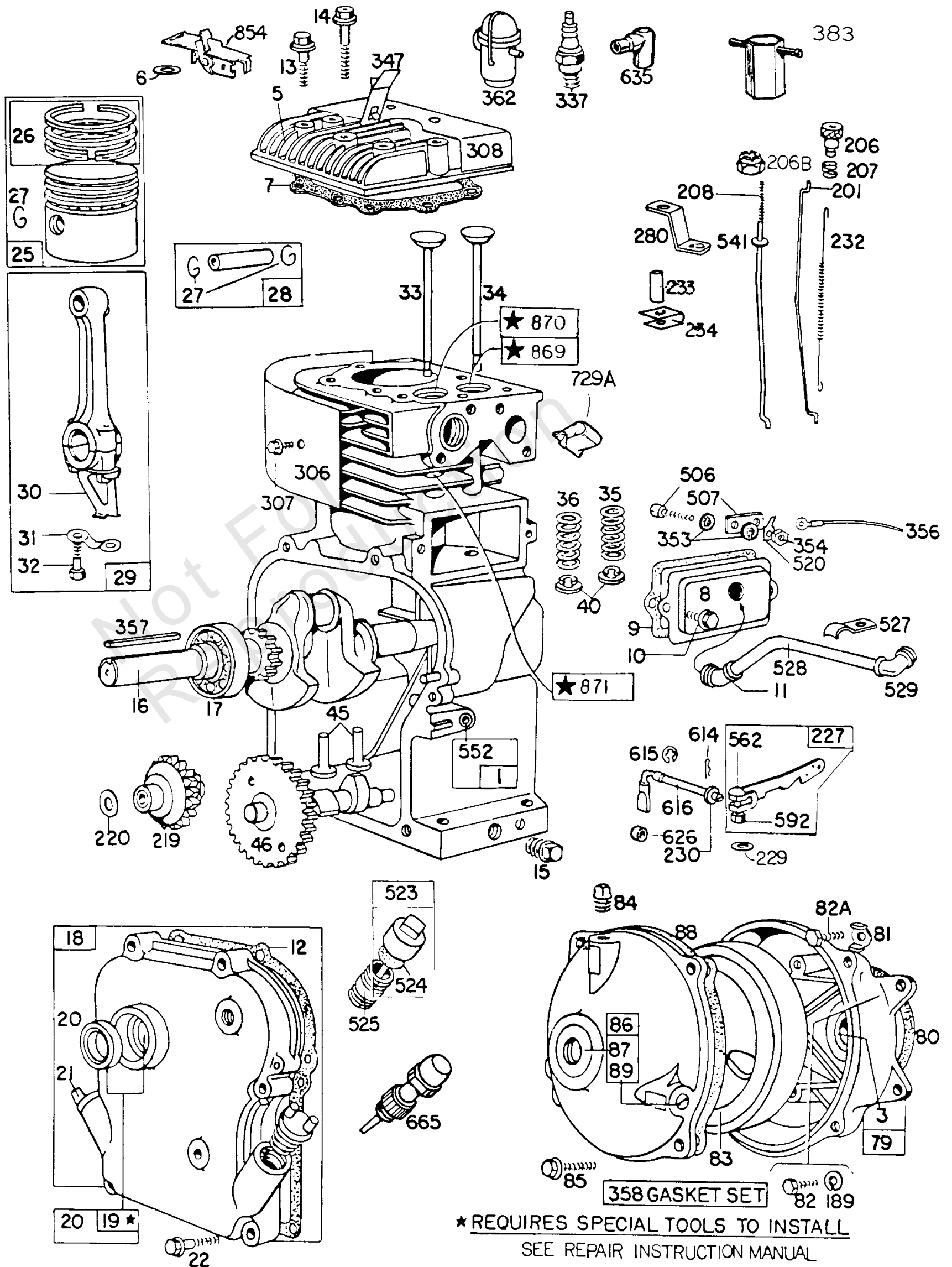


Cylinder, Gear Case, Piston Grp

REF NO	PART NO	QTY	DESCRIPTION
227	297601		LEVER, Governor Control -(3/16 Diameter) -Used Before Code Date 75060607
227	393920		LEVER, Governor Control
229	220680		WASHER -Used Before Code Date 75120900
230	221559		WASHER -(3/16 I.D.)
230	222450		WASHER
232	260478		SPRING/LINK, Mechanical Governor
233	230253		STOP, Shaft -(7/8)
234	220730		CLIP, Control Rod
280	390341		BRACKET, Rod
306	221511		SHIELD, Cylinder
307	93042		SCREW
308	221512		COVER, Cylinder Head
337	293918		PLUG, Spark
337	29693		PLUG, Spark
337	298809		PLUG, Spark
337	392588		PLUG, Spark
347	220884		SWITCH, Stop
347	221808		SWITCH, Stop
353	92791		WASHER
354	90576		NUT -(Ground Terminal)
356	299500		WIRE, Stop -(Used with Armature Refs. 333A and 333B)
357	91539		KEY, Drive Pulley -(3/16 Square)
358	297615		GASKET SET, Engine
362	291630		SHIELD, Spark Plug -(With Stop Switch)
383	89838		WRENCH, Spark Plug
506	90200		SCREW -(8-32 X 1/2)
507	66895		INSULATOR
520	93722		TERMINAL, Ground
523	297357		DIPSTICK/CAP ASSEMBLY
524	65304		SEAL, O-Ring -(Dipstick Cap)
525	91258		TUBE, Dipstick -(2 1/2) Use 394884 Adapter Oil Filler with Nipple.
527	221514		CLAMP, Tube -(Rotary Choke)
528	230722		TUBE, Breather
529	67838		GROMMET
541	22398		WASHER
552	230732		BUSHING, Governor Crank -(3/16 I.D.) -Used Before Code Date 75060607
552	231079		BUSHING, Governor Crank -(1/4 I.D.) -Used After Code Date 75060507

Footnotes:

(For Stamped Rewind Housing)

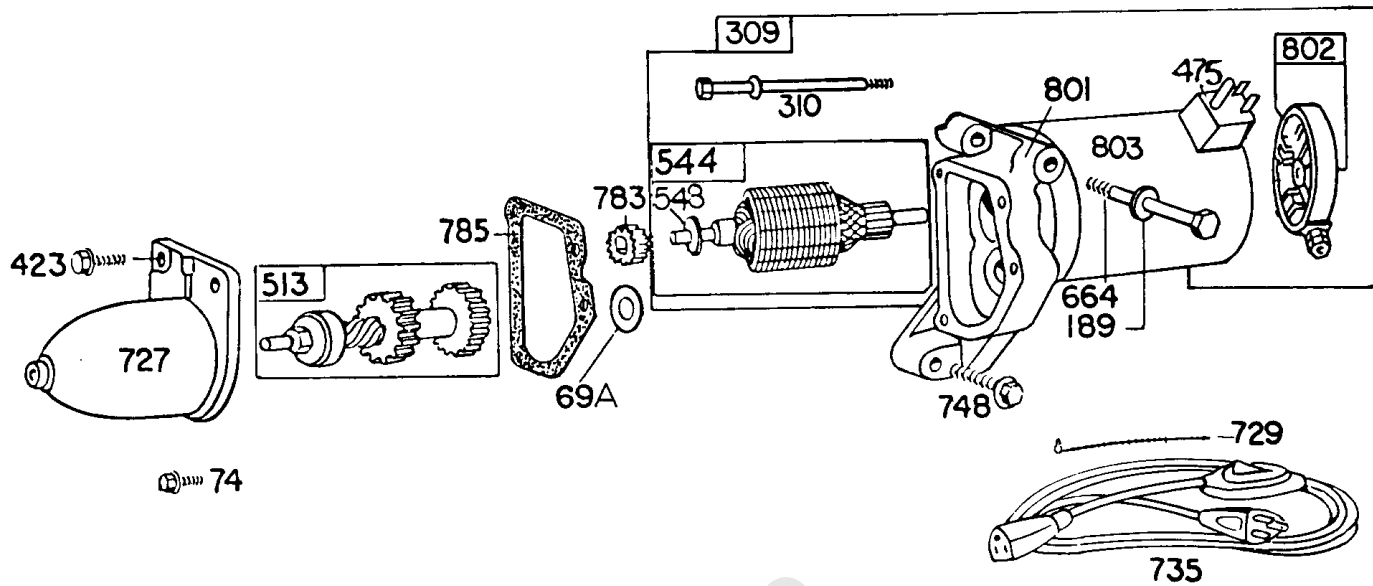


Cylinder, Gear Case, Piston Grp

REF NO	PART NO	QTY	DESCRIPTION
562	92613		BOLT -(Governor Lever)
592	231082		NUT -(Governor Control)
614	93306		PIN, Cotter
615	93307		RETAINER, Governor Shaft
616	230723		CRANK, Governor -(3/16 Diameter) -Used Before Code Date 75060607
616	231077		CRANK, Governor -(1/4 Diameter) -Used After Code Date 75060507
626	230749		SPACER -(Governor Lever)
635	66538		BOOT, Spark Plug
665	298858		MINDER, Oil
729A	93708		CLIP, Wire -(Used to retain Ground Wire lead to Cylinder Rib)
854	392884		BRACKET, Stopswitch
869	211787		SEAT, Valve -(Intake)
870	211172		SEAT, Valve -(Intake)
871	63709		BUSHING, Valve Guide -(Intake)

Footnotes:

(For Stamped Rewind Housing)



Subject	Ref. No. 309	Ref. No. 513	Ref. No. 544	Ref. No. 803	Ref. No. 802	Ref. No. 475
Starter Motor Mfr.	Motor	Drive Assembly	Armature Assembly	Housing Assembly	End Cap Assy. Commutator	Rectifier Assembly
American Bosch						
12V	390551*	390581	390467	390468	390465	
110V	393842**					

*Uses #92813 Lockwasher and #231082 Hex Nut.
 **Includes Entire Motor and Drive Assembly.

Parts Common to the 12V and 110V Motors

Ref. No. 423	Ref. No. 727	Ref. No. 785	Ref. No. 783	Ref. No. 69A	Ref. No. 310	Ref. No. 548	Ref. No. 664	Ref. No. 748	Ref. No. 801
Sem. Screw 93654	Drive Hsg. 390543	Gasket 270718	Pinion 230972	Washer 93676	Motor Bolt 93648	Washer 93649	Mtg. Screw 93358	Mtg. Screw 93534	Mounting Head 390544

Electric Starter

REF NO	PART NO	QTY	DESCRIPTION
69A	93676		WASHER -(Spring) Parts Common to the 12V and 110V Motors
74	93490		SCREW -(Rotating Screen)
189	90366		WASHER
309	390551		MOTOR, Starter -(American Bosch 12V) Uses #92813 Lockwasher and #231082 Hex. Nut.
309	393842		MOTOR, Starter -(American Bosch 110V) Includes Entire Motor and Drive Assembly
310	93648		SCREW -Parts Common to the 12V and 110V Motors
423	93410		SCREW
423	93654		SCREW -Parts Common to the 12V and 110V Motors
475	-----		No Nomenclature
513	390581		DRIVE, Starter
544	390467		ARMATURE, Starter -(American Bosch 12V)
548	93649		WASHER -Parts Common to the 12V and 110V Motors
664	93358		SCREW -Parts Common to the 12V and 110V Motors
727	390543		COVER, Starter Drive -(Metal Flywheel Ring Gear) Parts Common to the 12V and 110V Motors
729	270723		TIE, Cable
735	390900		CORD, Starter -(Includes Switch)
748	93534		SCREW -Parts Common to the 12V and 110V Motors
783	230972		GEAR, Pinion -Parts Common to the 12V and 110V Motors Parts Common to the 12V and 110V Motors
785	270718		GASKET, Starter Cover -Parts Common to the 12V and 110V Motors
801	390544		CAP, Drive -Parts Common to the 12V and 110V Motors
802	390465		CAP, End -(American Bosch 12V)
803	390468		HOUSING, Starter -(American Bosch 12V)

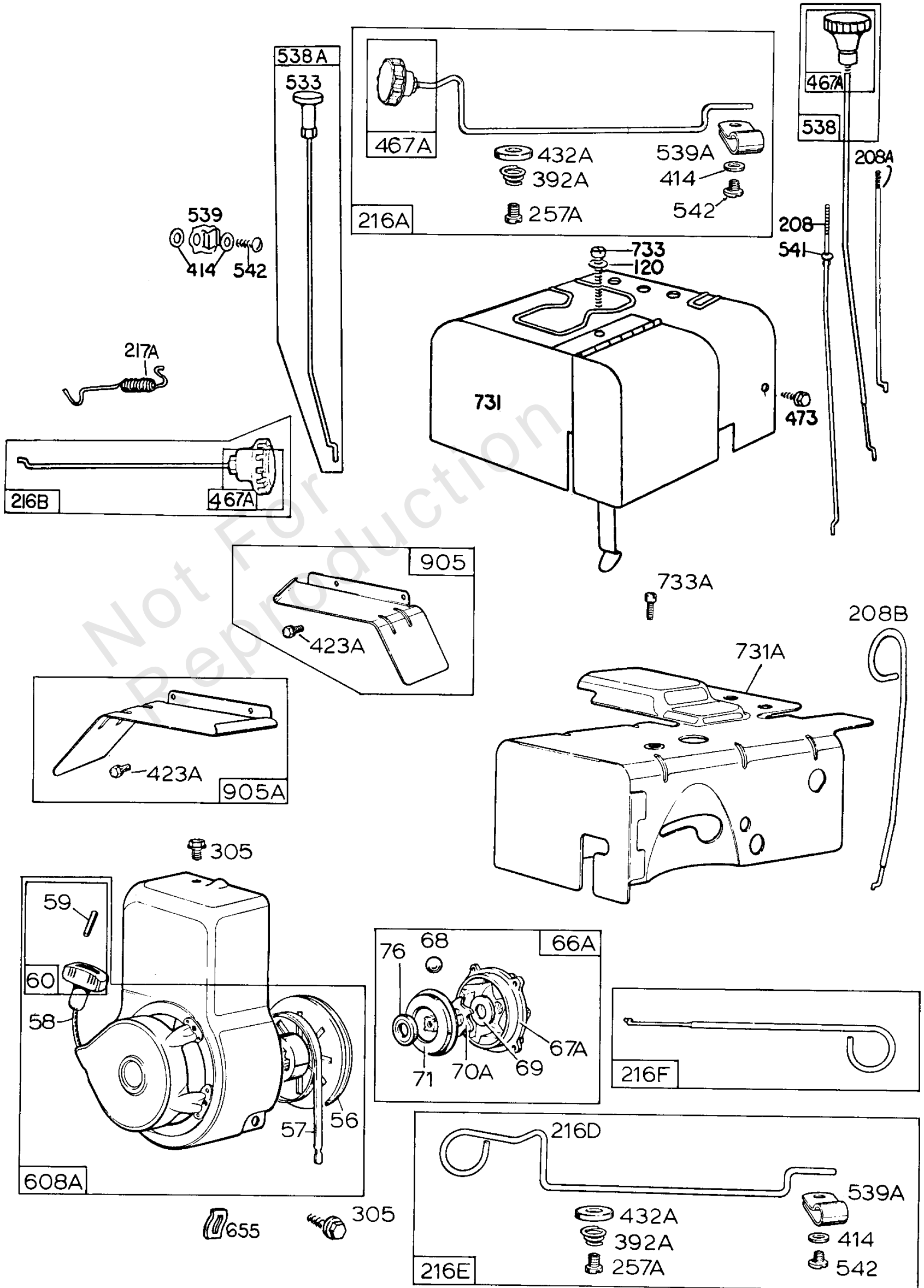
Footnotes:

(For Stamped Rewind Housing)

Replacement Engine - US & Canada

REF NO	PART NO	QTY	DESCRIPTION
-----			No engine replacement. Repair engine with individual parts.
-----			Top No-Load Speed: 3600 -Trim: 01
-----			Service Note: For all Go-Karts use only a Model 136200 series engine as a replacement, regardless of the original Model.

Not For Reproduction

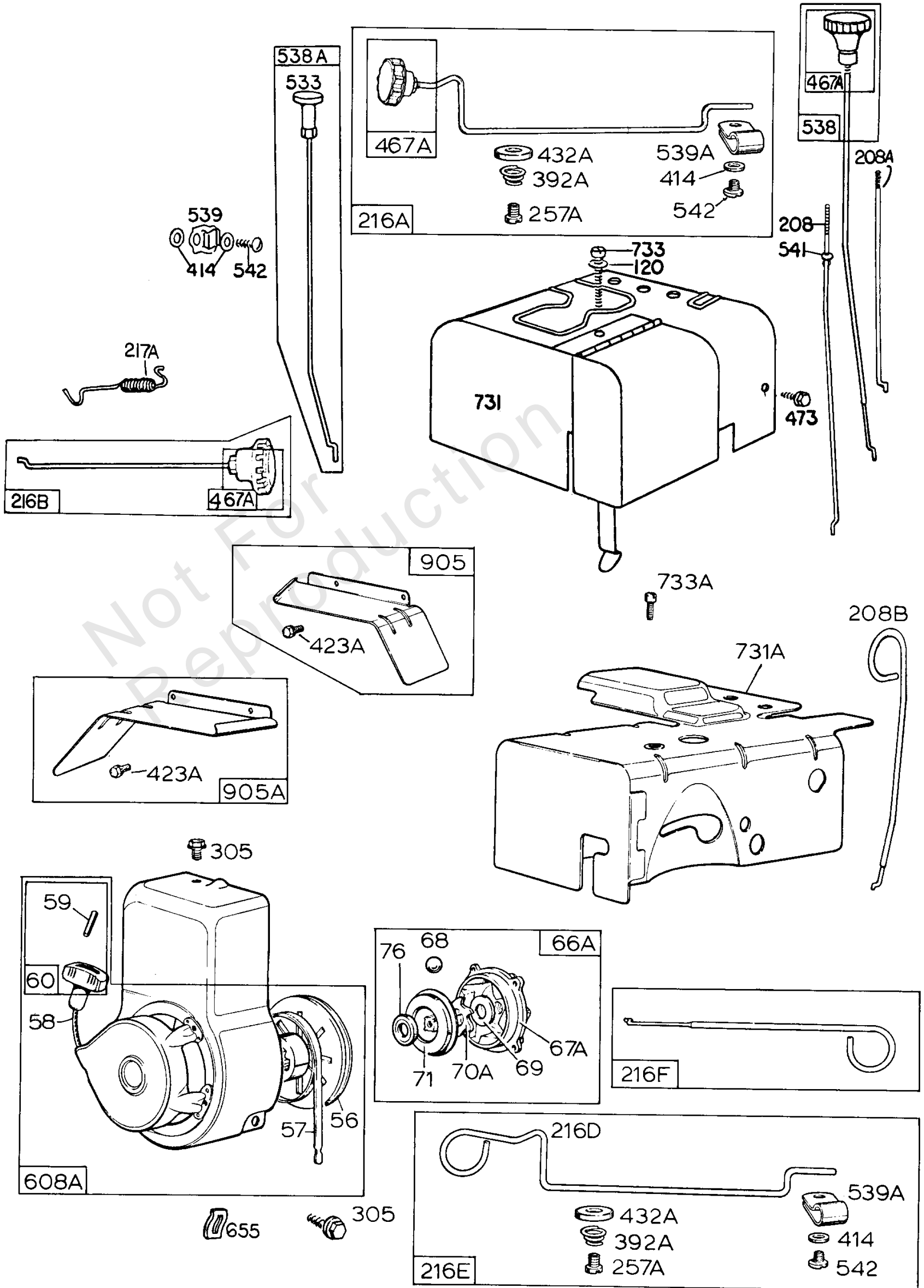


Sno-Gard Assemblies, Rewind

REF NO	PART NO	QTY	DESCRIPTION
56	295871		PULLEY, Starter -(63 Rope) If longer rope is required, order rope No. 66894 and cut to length.
57	294303		SPRING, Rewind Starter
58	66564		ROPE, Starter -(63 Rope) If longer rope is required, order rope No. 66574 and cut to length.
58	66884		ROPE, Starter -(Cut To Required Length) If longer rope is required, order rope No. 66894 and cut to length.
59	230228		PIN, Starter Grip
60	393152		GRIP-STARTER ROPE
66A	393117		CLUTCH, Starter -For Engines with Ring Gear on Flywheel Equipped for or with Electric Motor.
67A	261453		HOUSING, Clutch -(5/8-18 For Engines Equipped For Electric Start) For engines with Ring Gear on Flywheel equipped for or with Electric Motor.
68	63770		BALL, Clutch
69	66718		WASHER -(1-1/16 O.D. X 17/32 I.D.) (1 1/16 O.D. X 17/32 I.D.)
70A	298799		RATCHET, Clutch -For engines with Ring Gear on Flywheel equipped for or with Electric Motor. (engine W/Ring Gear on FW equipped for Elec Start)
71	221653		WASHER
76	68238		SEAL, Ratchet
120	92290		WASHER
208B	261593		ROD, Control
208A	392172		ROD, Control
208	230737		ROD, Governor Control -(5-44) (9-1/8)
216E	394562		ROD, Choke
216D	261592		ROD, Choke
216F	261591		ROD, Choke
216B	392405		ROD, Control
216A	391899		ROD, Choke
217A	261331		SPRING, Throttle
257A	90746		SCREW -(10-32 X 5/8)
305	93158		SCREW -(1/4-20 X 5/8)
392A	260847		SPRING, Friction
414	220982		WASHER
432A	221766		SPRING, Friction
467A	391908		KNOB, Air Cleaner Cover
473	93475		SCREW
533	230149		NUT, Governor Adjusting -(5-44) Uses: 93384 Nut-Hex.
538A	299545		ROD, Control
538	390756		ROD, Control
539A	93784		CLAMP
539	221372		CLIP, Control Rod
541	22398		WASHER
542	92265		SCREW
608A	297372		STARTER, Rewind -(10 O'clock)

Footnotes:

(For Stamped Rewind Housing)



Sno-Gard Assemblies, Rewind

REF NO	PART NO	QTY	DESCRIPTION
655	221014		ANCHOR, Rewind Spring -Used Before Code Date 73061111
655	222598		ANCHOR, Rewind Spring -Used After Code Date 73061011
731A	394410		HOOD, Snow
731	299419		HOOD, Snow
731	391173		HOOD, Snow -Uses: 222339 Strap-Support 92656 Stud-Strap to Crankcase Cover 93490 Screw-Strap to Hood 92278 Nut-Hex. (1)
731	393198		HOOD, Snow -Uses: 280092 Sealing Strip Used between Hood and Blower Housing 393201 Wire & Terminal Assy. (Key Switch) 392755 Key Switch Assembly (Furnished by Equipment Manufacturer) 93836 Lockwasher (Key Switch Assy.) (Furnished by Equipment Manufacturer)
733A	93977		SCREW
733	93518		SCREW -(Hood)
905A	394511		SHIELD, Snow
905	394510		SHIELD, Snow

Not For
Reproduction

Footnotes:

(For Stamped Rewind Housing)

