

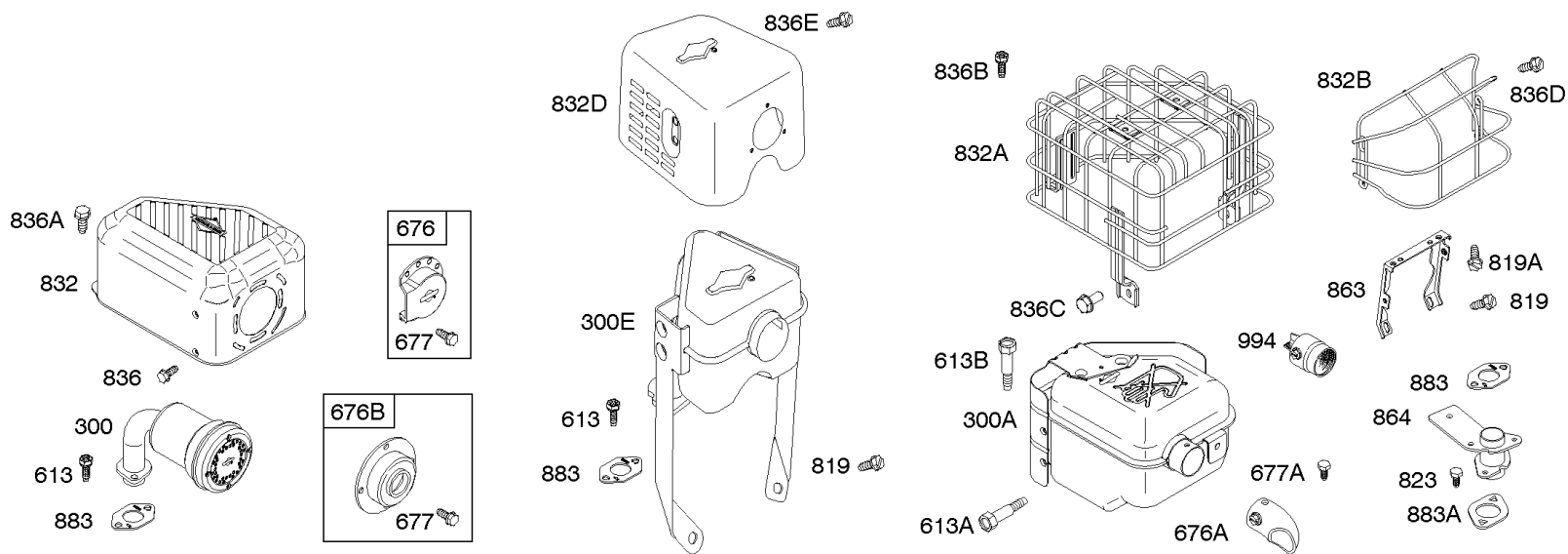
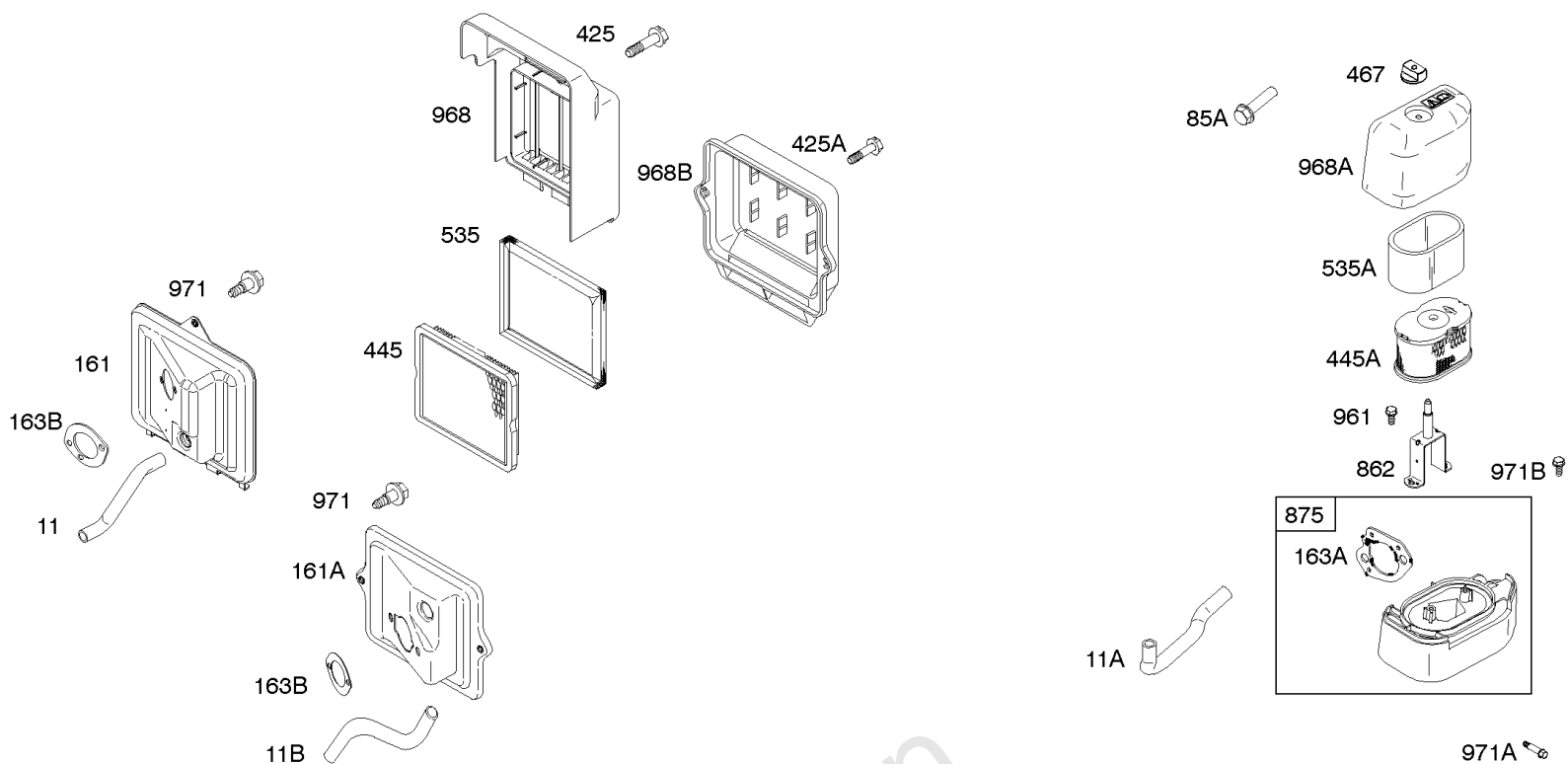


Parts Manual

Mfg. No: 126312-1293-B8

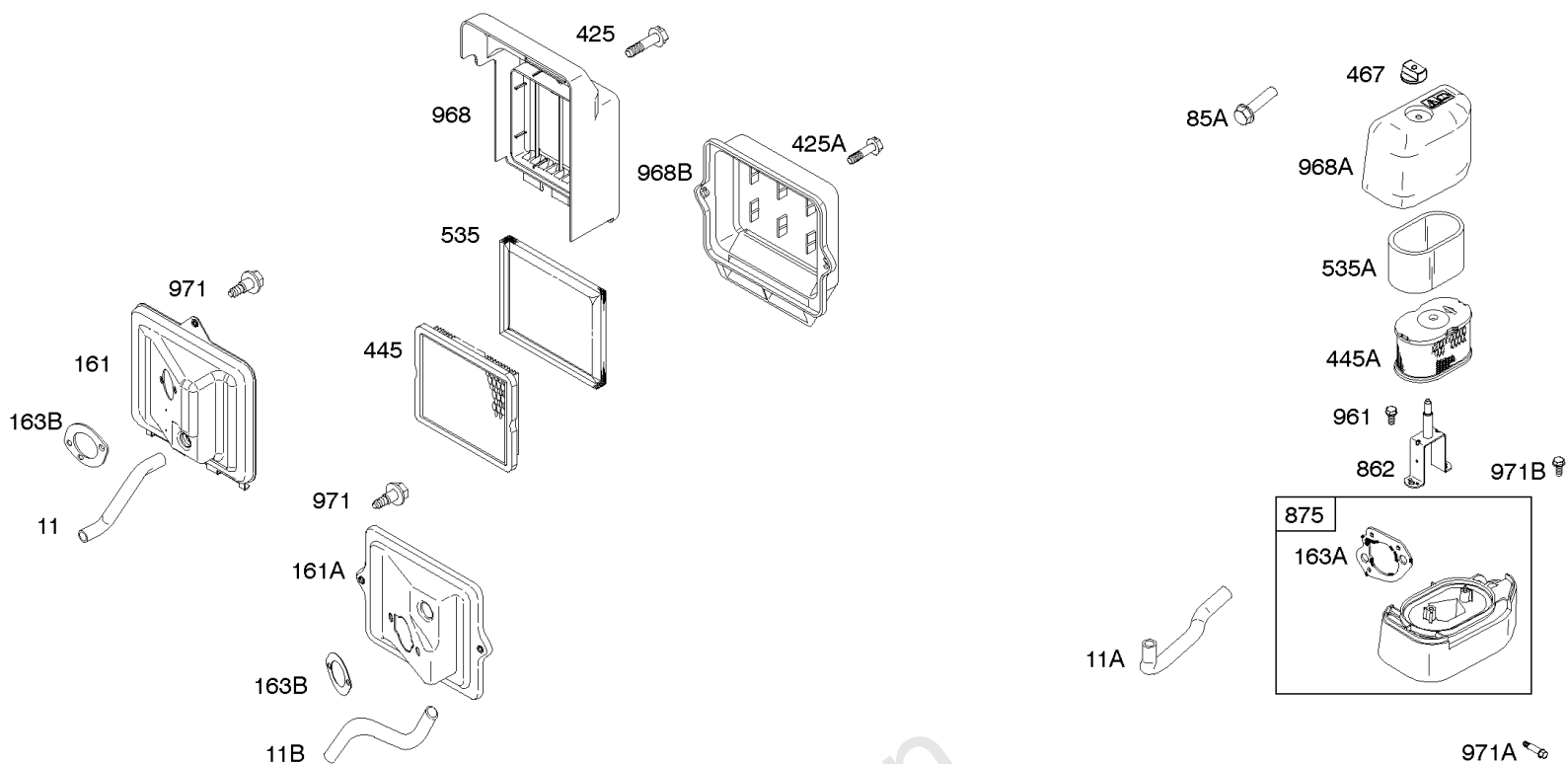
Model Components	Page
Air Cleaner, Controls, Exhaust System.....	4
Blower Housing/Shrouds, Flywheel, Rewind Starter.....	8
Camshaft, Crankshaft, Cylinder, Piston Group.....	10
Carburetor, Fuel Supply.....	14
Crankcase Cover, Gear Reduction, Lubrication.....	18
Cylinder Head.....	22
Electric Starter, Governor Springs, Ignition.....	26
Replacement Engine - US & Canada.....	30

Not For
Reproduction

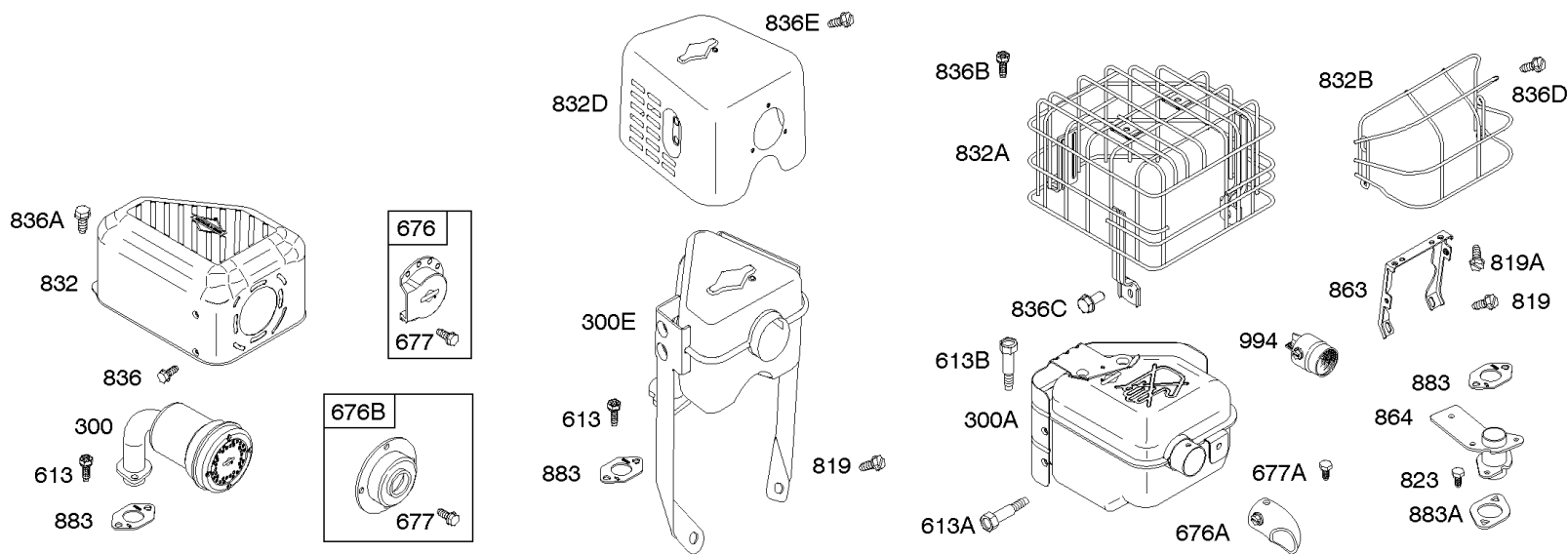


Air Cleaner, Controls, Exhaust System

REF NO	PART NO	QTY	DESCRIPTION
11	692600		TUBE, Breather -(Flat Panel Air Cleaner)
11A	693647		TUBE, Breather -(High Mount Air Cleaner)
11B	790632		TUBE, Breather -(Ultra Low Mount Air Cleaner)
85A	690711		SCREW -(Gear Cover) -Used After Code Date 06051600
161	699207		BASE-AIR CLEANER -(Flat Panel Air Cleaner)
161A	790631		BASE, Air Cleaner -(Ultra Low Mount Air Cleaner)
163A	792870		GASKET, Air Cleaner -(High Mount)
163B	696024		GASKET, Air Cleaner -(Flat Panel Air Cleaner)
300	693593		MUFFLER
300A	797433		MUFFLER
300E	791595		MUFFLER
425	699208		SCREW -(Air Cleaner Cover)
425A	699492		SCREW -(Air Cleaner Cover)
445	491588S		FILTER, A/C Cartridge -(Flat Panel)
445A	697029		FILTER-A/C CARTRIDGE -(High Mount)
467	691668		KNOB, Air Cleaner Cover
535	493537S		FILTER, Air Cleaner Foam -(Flat Panel)
535A	273356S		FILTER-A/C FOAM -(High Mount)
613	791972		SCREW -(Muffler)
613A	699481		SCREW -(Muffler)
613B	697812		SCREW -(Muffler) (SAE)
613B	799081		SCREW -(Muffler) (Metric)
676	796956		DEFLECTOR, Muffler
676A	697816		DEFLECTOR, Muffler
676B	395700		DEFLECTOR, Muffler -(Direct Outlet)
677	690661		SCREW -(Muffler Deflector) (SAE)
677	699203		SCREW -(Muffler Deflector) (Metric)
677A	699776		SCREW -(Muffler Deflector)
819	699233		SCREW -(Muffler Bracket)
819A	699230		SCREW -(Muffler Bracket)
823	791972		SCREW -(Muffler Adapter)
832	693583		GUARD, Muffler
832A	697818		GUARD, Muffler

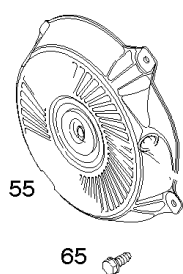
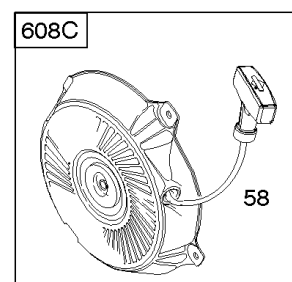
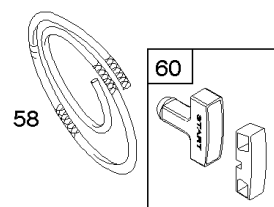
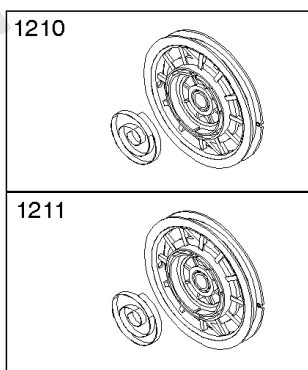
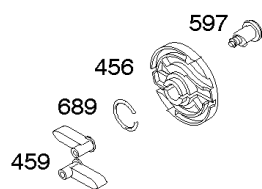
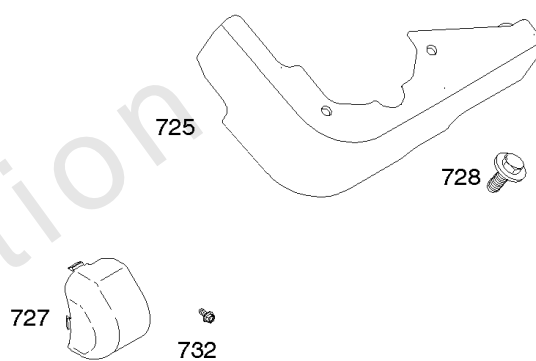
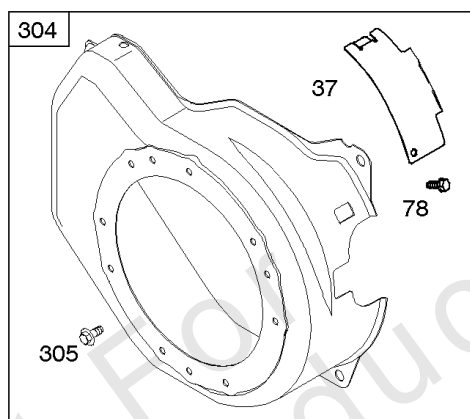
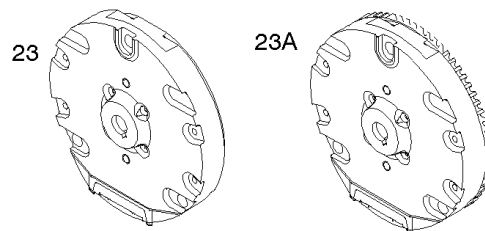
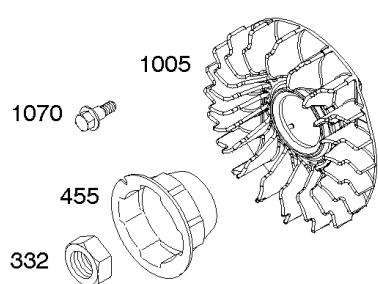
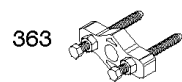


Not For
Reproduction



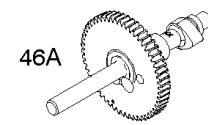
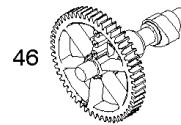
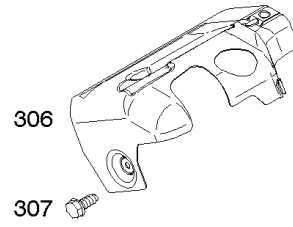
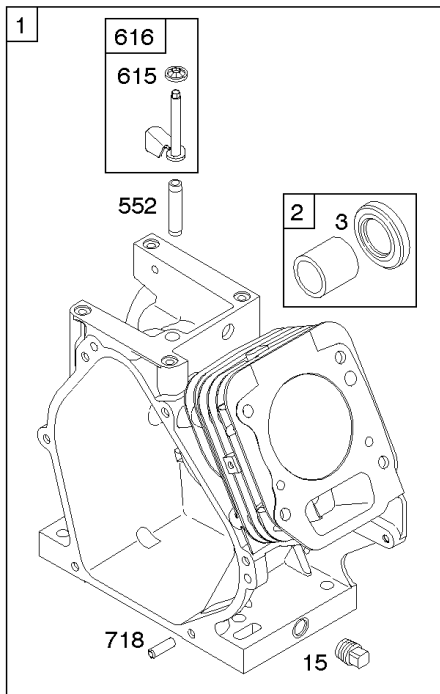
Air Cleaner, Controls, Exhaust System

REF NO	PART NO	QTY	DESCRIPTION
832B	696516		MUFFLER
832D	796240		GUARD, Muffler
836	699203		SCREW -(Muffler Guard)
836A	699632		SCREW -(Muffler Guard)
836C	699234		SCREW -(Muffler Guard)
836D	699204		SCREW -(Muffler Guard)
836E	699755		SCREW -(Muffler Guard)
836B	791972		SCREW -(Muffler Guard)
862	693462		STRAP/STUD, Air Cleaner Mounting
863	699229		BRACKET, Muffler
864	699232		ADAPTER, Muffler
875	591306		BASE, Air Cleaner -(High Mount) -Used After Code Date 11123100
875	697030		BASE, Air Cleaner -(High Mount) -Used Before Code Date 12010100
883	691893		GASKET-EXHAUST
883A	692237		GASKET-EXHAUST
961	698304		SCREW -(Air Cleaner Bracket)
968	692584		COVER, Air Cleaner -(Flat Panel)
968A	693460		COVER, Air Cleaner -(High Mount)
968B	791082		COVER, Air Cleaner -(Ultra Low Mount Air Cleaner)
971	690370		SCREW -(Air Cleaner Base to Carburetor/Throttle Body) (SAE)
971	798649		SCREW -(Air Cleaner Base to Carburetor/Throttle Body) (Metric)
971A	690349		SCREW -(Air Cleaner Base to Carburetor/Throttle Body) -Used Before Code Date 12010100
971A	591307		SCREW -(Air Cleaner Base to Carburetor/Throttle Body) -Used After Code Date 11123100
971B	699234		SCREW -(Air Cleaner Base to Carburetor/Throttle Body)
994	790153		ARRESTOR, Spark

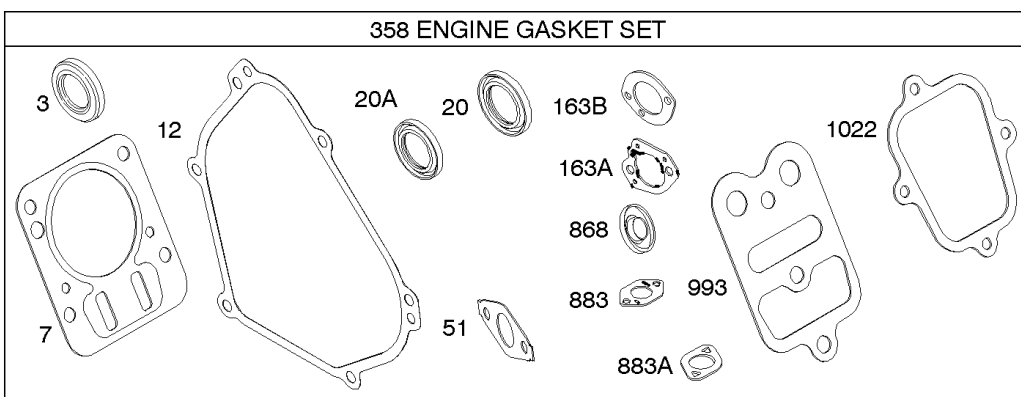
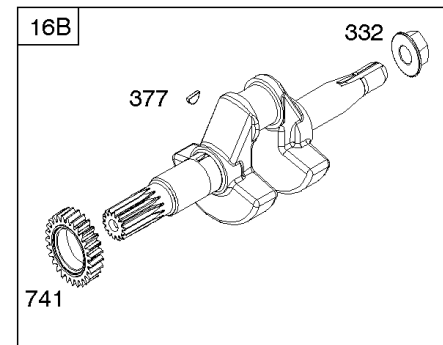
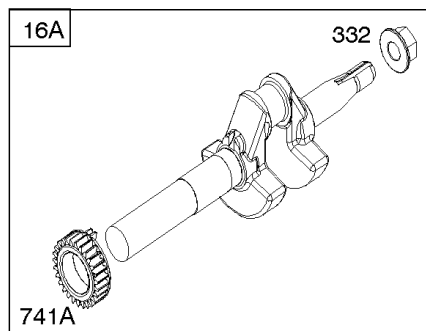
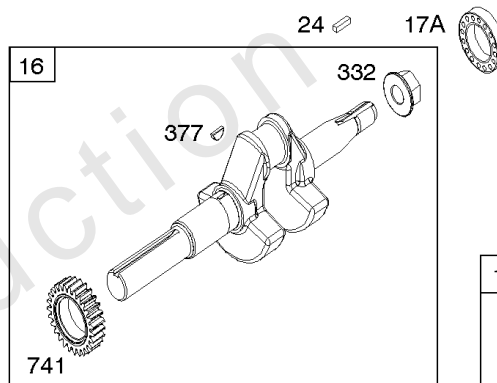
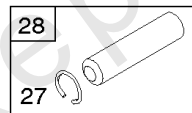
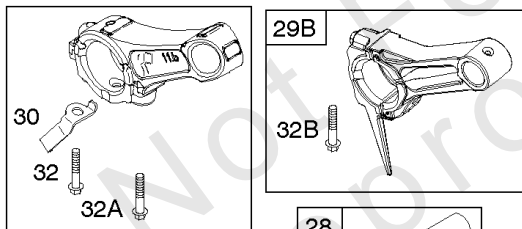
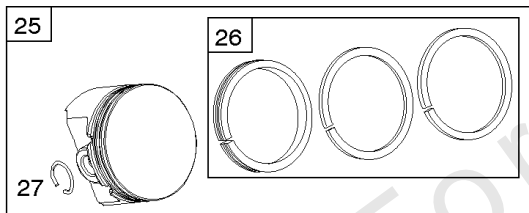


Blower Housing/Shrouds, Flywheel, Rewind Starter

REF NO	PART NO	QTY	DESCRIPTION
23	699488		FLYWHEEL
37	699661		GUARD, Flywheel
55	791848		HOUSING, Rewind Starter -Used After Code Date 08030200
55	691422		HOUSING, Rewind Starter -(Rewind Starter Parts Used With 3MM Diameter Starter Rope) -Used Before Code Date 08030300
58	693389		ROPE, Starter -(Cut To Required Length) -Used After Code Date 08030200
58	66574		ROPE, Starter -(Rewind Starter Parts Used With 5MM Diameter Starter Rope) -Used Before Code Date 08030300
60	490652		GRIP-STARTER ROPE -(2 Piece)
60A	281434S		GRIP, Starter Rope -(2 Piece)
65	699228		SCREW -(Rewind Starter) (SAE)
65	699851		SCREW -(Rewind Starter) (Metric)
78	699205		SCREW -(Flywheel Guard)
304	699598		HOUSING, Blower
305	699481		SCREW -(Blower Housing)
332	591988		NUT -(Flywheel)
363	19203		PULLER, Flywheel
455	591302		CUP-FLYWHEEL
456	692299		PLATE-PAWL FRICTION
459	281505S		PAWL-RATCHET
597	691696		SCREW -(Pawl Friction Plate)
608C	591301		STARTER, Rewind
689	691855		SPRING-FRICTION -(Rewind Starter)
725	792874		SHIELD, Heat
727	698039		COVER-STARTER DRIVE
728	699632		SCREW -(Heat Shield)
732	699200		SCREW -(Starter Drive Cover)
1005	692592		FAN, Flywheel
1070	699201		SCREW -(Flywheel Fan)
1210	791849		PULLEY/SPRING ASSEMBLY -(Pulley) -Used After Code Date 08030200
1210	498144		PULLEY/SPRING ASSY -(Pulley) -Used Before Code Date 08030300
1211	791849		PULLEY/SPRING ASSEMBLY -(Spring) -Used After Code Date 08030200
1211	498144		PULLEY/SPRING ASSY -(Spring) -Used Before Code Date 08030300

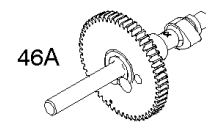
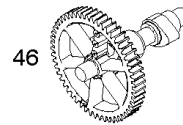
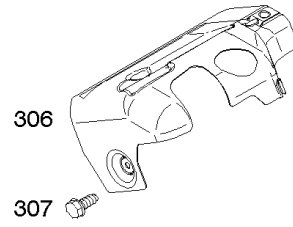
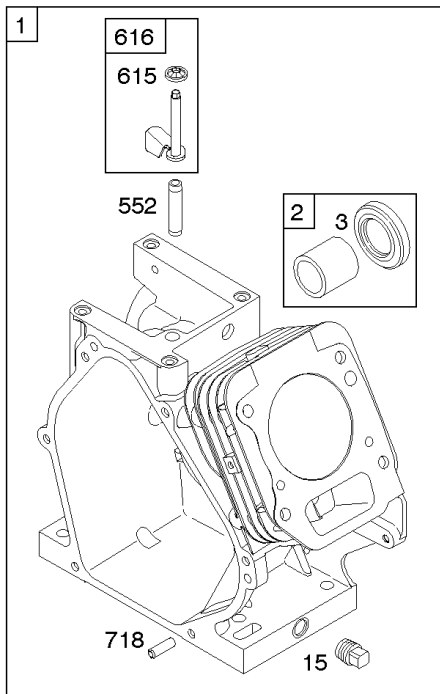


- 1036 EMISSIONS LABEL
- 1058 OPERATOR'S MANUAL
- 1319 WARNING LABEL
- 1319A WARNING LABEL
- 1330 REPAIR MANUAL

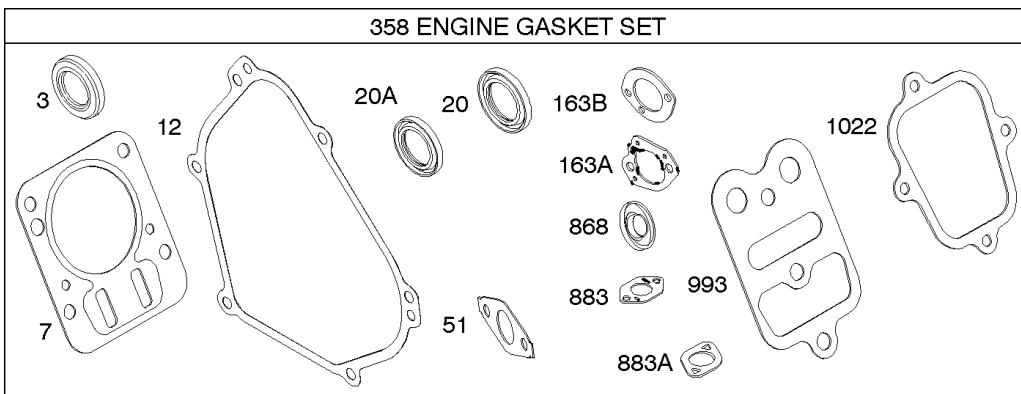
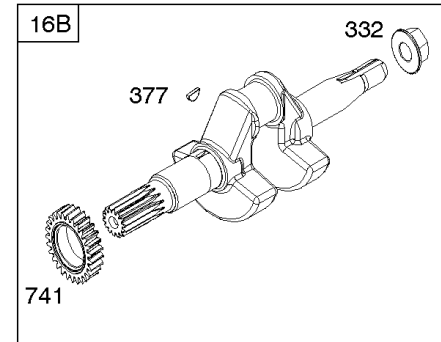
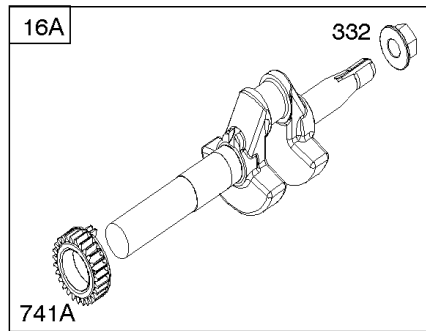
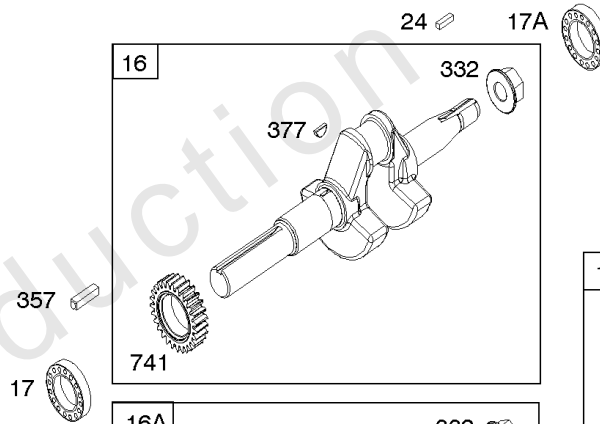
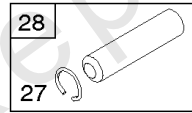
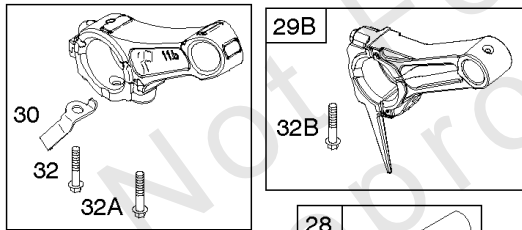
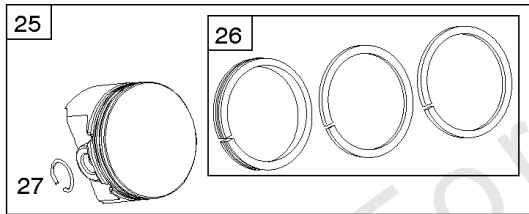


Camshaft, Crankshaft, Cylinder, Piston Group

REF NO	PART NO	QTY	DESCRIPTION
1	699510		CYLINDER ASSEMBLY
2	796961		KIT, Bushing/Seal -(Magneto Side)
3	299819S		SEAL, Oil -(Magneto Side)
7	698210		GASKET, Cylinder Head
12	699485		GASKET-CRANKCASE
15	691686		PLUG-OIL DRAIN -(Square Head)
15A	691682		PLUG-OIL DRAIN -(Flush)
16	797070		CRANKSHAFT
16A	593495		CRANKSHAFT -Used After Code Date 13050500
17	798538		BEARING-BALL -(PTO Side)
17A	690824		BEARING-BALL -(PTO Side)
20	692550		SEAL-OIL -(PTO Side)
24	796335		KEY, Flywheel
25	799064		PISTON ASSEMBLY -(.020 Oversize)
25	795429		PISTON ASSEMBLY -(Standard)
26	791324		SET, Ring -(.020 Oversize) -Used After Code Date 05060600
26	692786		SET, Ring -(.020 Oversize) -Used Before Code Date 05060700
26	791969		SET, Ring -(Standard) -Used After Code Date 05060600
26	499631		SET, Ring -(Standard) -Used Before Code Date 05060700
27	691866		LOCK-PISTON PIN
28	499423		PIN-PISTON/STD -(Standard)
29B	798813		ROD, Connecting
30	791584		DIPPER-CONN ROD
32	691664		SCREW -(Connecting Rod)
32A	695759		SCREW -(Connecting Rod)
32B	797437		SCREW -(Connecting Rod)
46	693404		CAMSHAFT
51	692555		GASKET, Intake -(2 Required)
163A	792870		GASKET, Air Cleaner -(High Mount)
163B	696024		GASKET, Air Cleaner -(Flat Panel Air Cleaner)
306	795334		SHIELD-CYLINDER
307	699483		SCREW -(Cylinder Shield)
309	694504		MOTOR, Starter

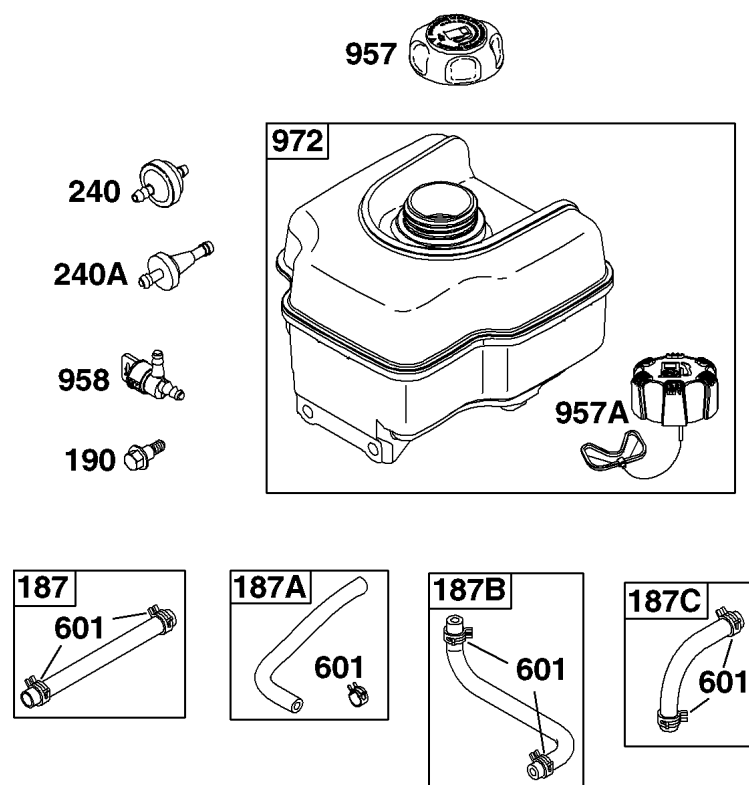
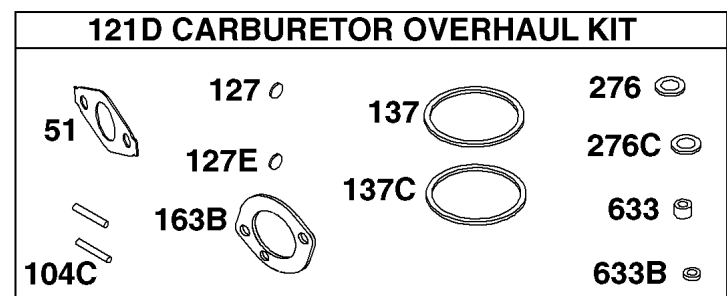
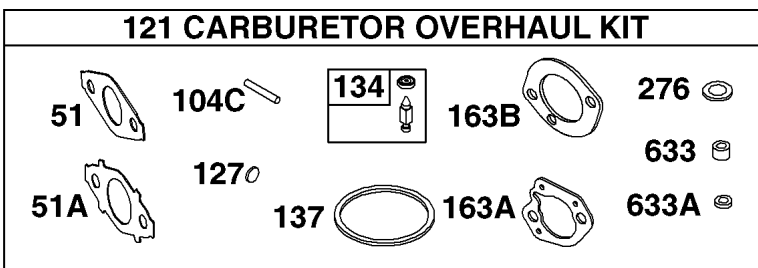
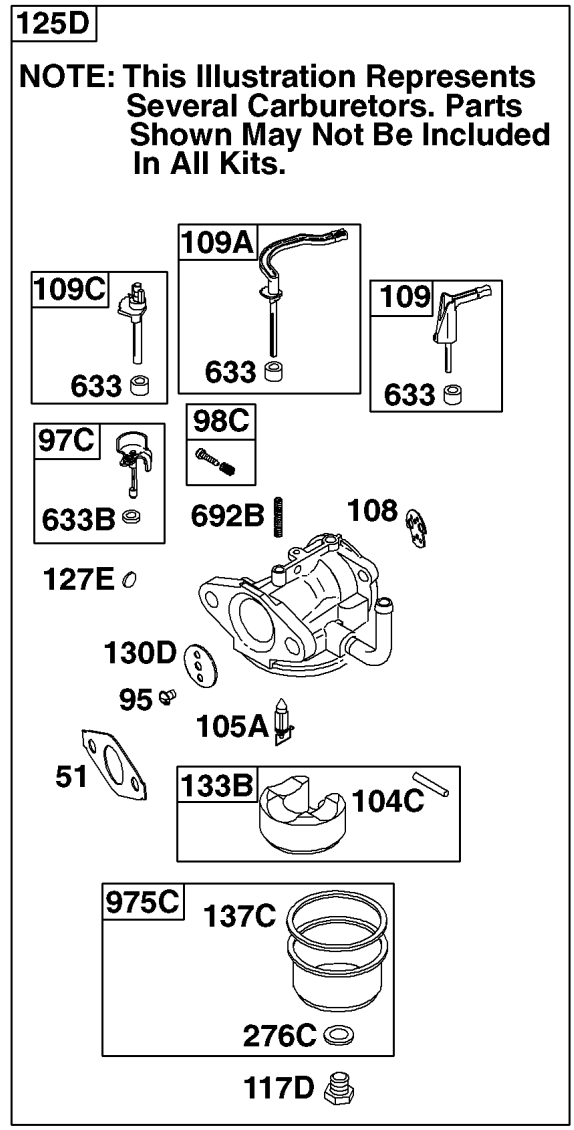
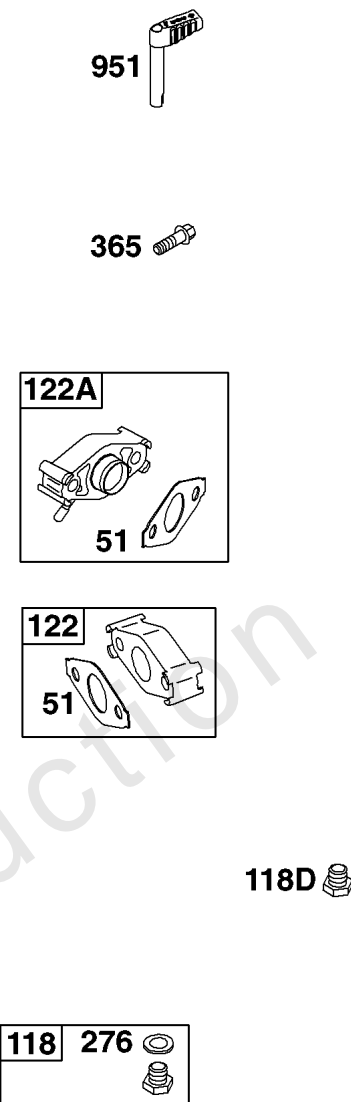
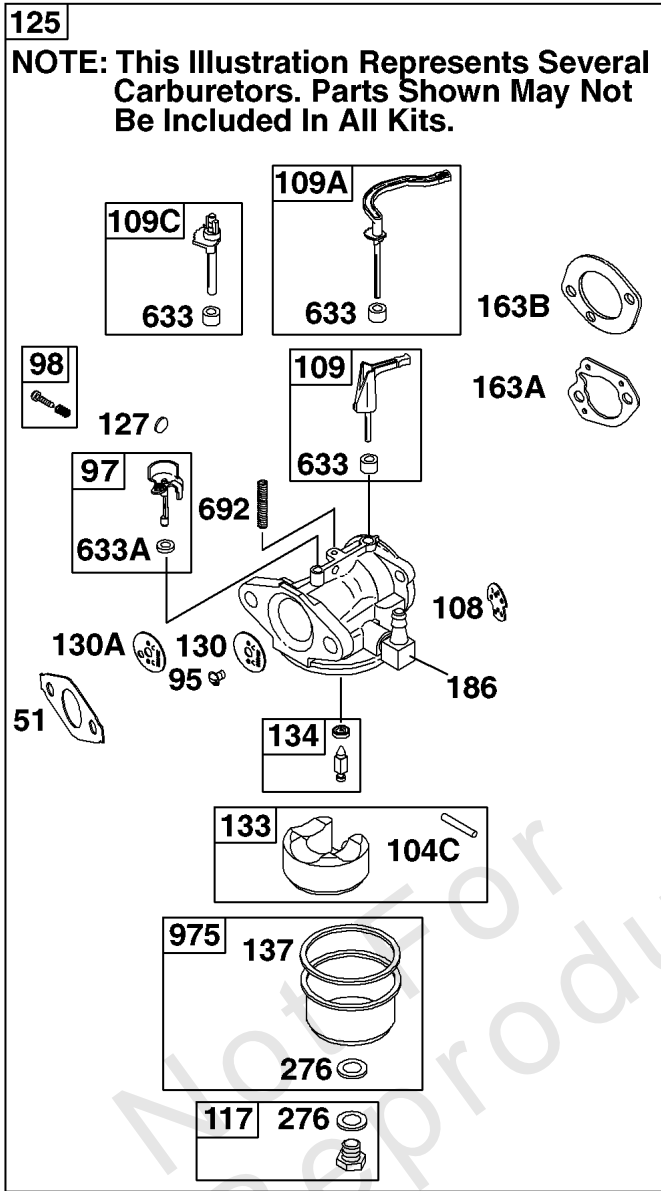


- 1036 EMISSIONS LABEL
- 1058 OPERATOR'S MANUAL
- 1319 WARNING LABEL
- 1319A WARNING LABEL
- 1330 REPAIR MANUAL



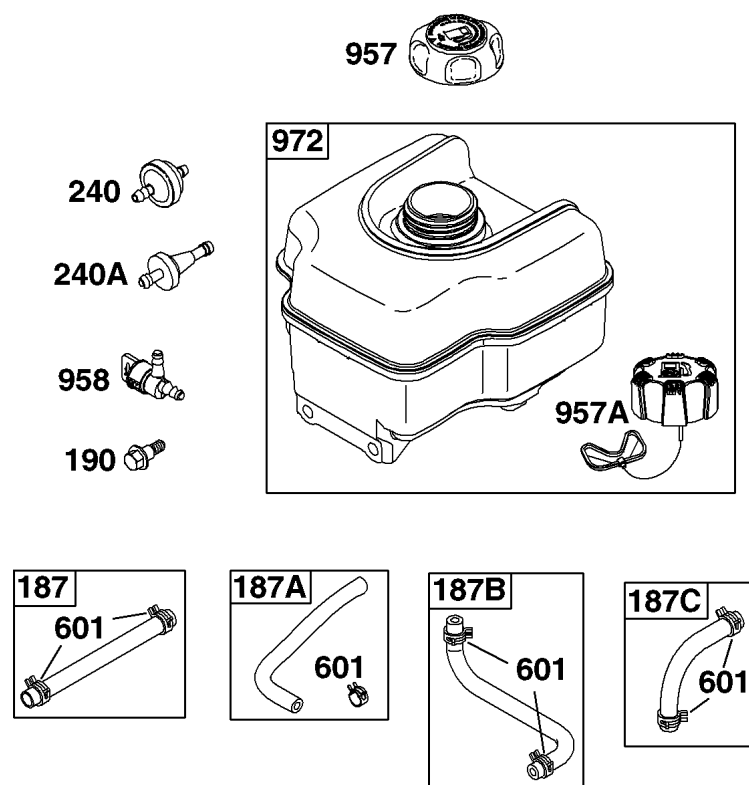
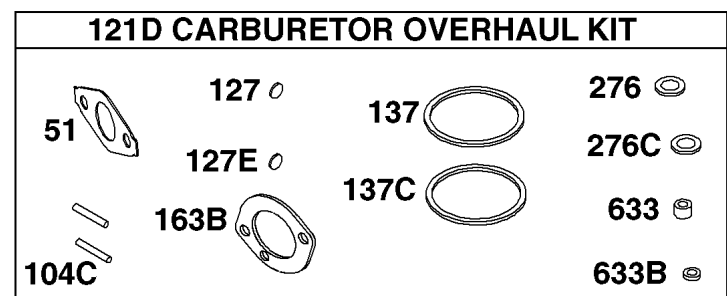
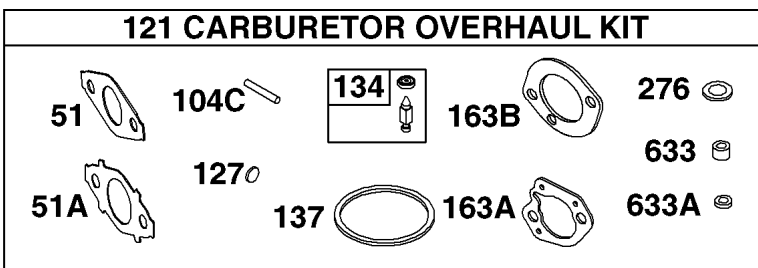
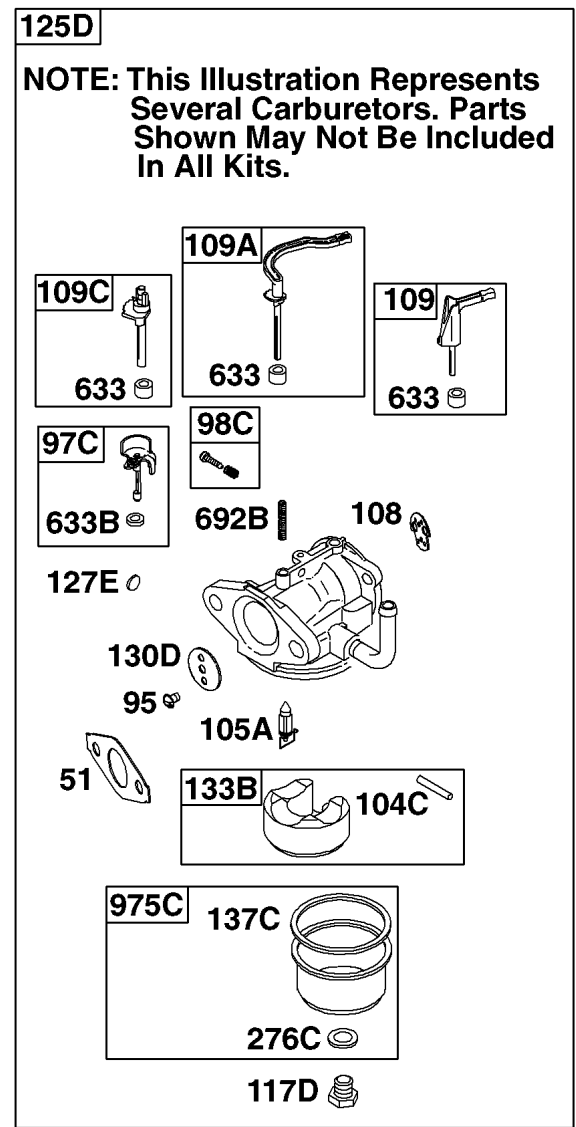
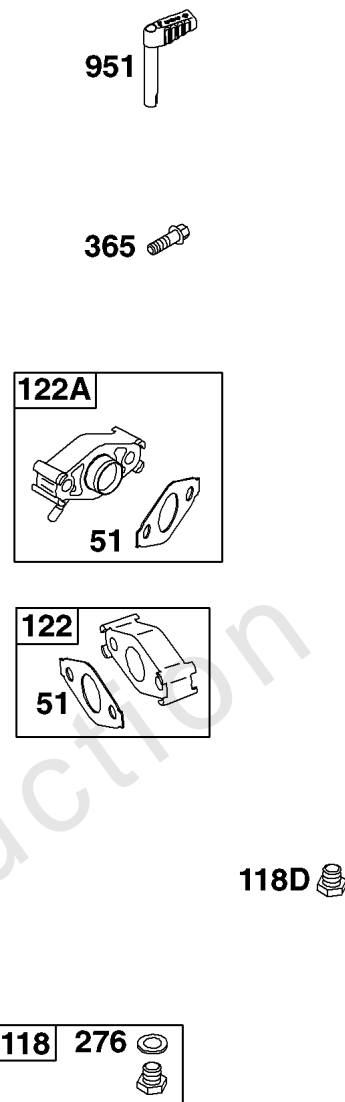
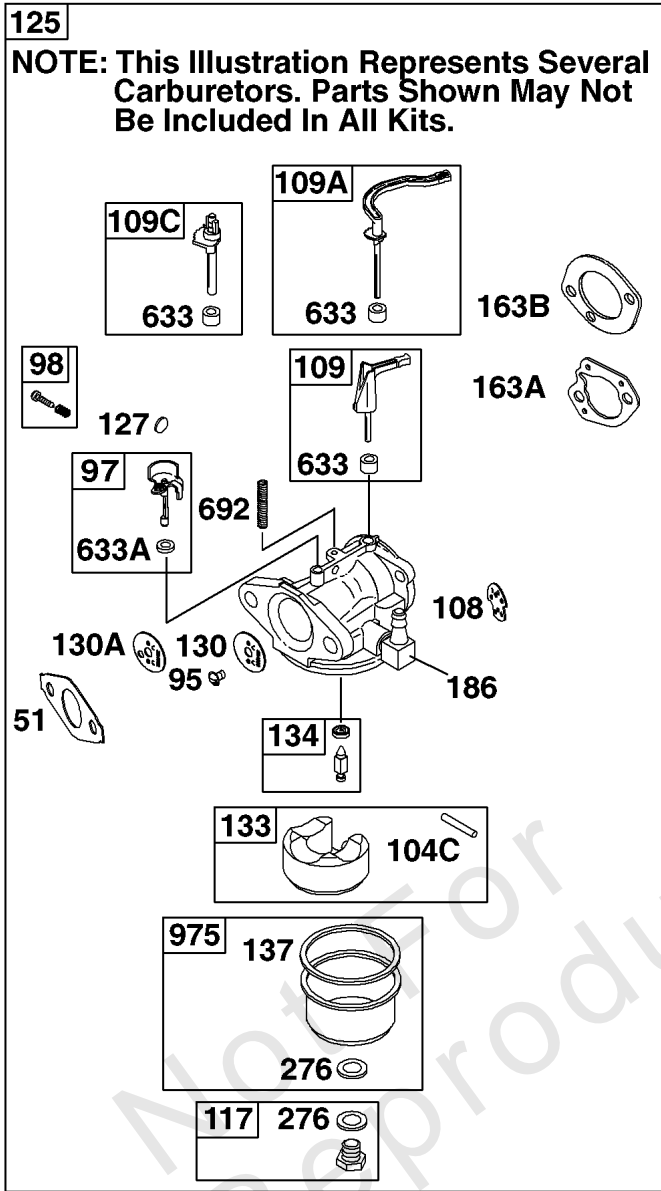
Camshaft, Crankshaft, Cylinder, Piston Group

REF NO	PART NO	QTY	DESCRIPTION
332	591988		NUT -(Flywheel)
357	798869		KEY, Drive Pulley -(Metric)
357	692191		KEY, Drive Pulley -(SAE)
358	791797		GASKET SET, Engine
377	690979		KEY, Woodruff
552	692346		BUSHING, Governor Crank
615	692576		RETAINER, Governor Shaft
616	692547		CRANK, Governor
718	690959		PIN, Locating
741	695087		GEAR-TIMING -(Metal)
741A	593499		GEAR, Timing -(Nylon)
868	795440		SEAL-VALVE
883	691893		GASKET-EXHAUST
883A	692237		GASKET-EXHAUST
993	694088		GASKET-CYL HD PLATE
1022	691890		GASKET-ROCKER COVER
1036	-----		Label-Emissions -(Available From A Briggs & Stratton Authorized Dealer)
1058	277040		MANUAL, Operator's
1319	794467		LABEL, Warning
1319A	797669		LABEL, Warning
1330	272147		MANUAL, Repair



Carburetor, Fuel Supply

REF NO	PART NO	QTY	DESCRIPTION
51	692555		GASKET, Intake -(2 Required)
51A	791718		GASKET, Intake
95	691636		SCREW -(Throttle Valve)
97	690024		SHAFT, Throttle
97C	797628		SHAFT, Throttle
98	398185		KIT-IDLE SPEED -(Idle Speed) (Lmt 26, 27, 28, 31)
98C	797156		KIT, Idle Speed
104C	797622		PIN-FLOAT HINGE
105A	797139		VALVE, Float Needle
108	692567		VALVE-CHOKE
109	690023		SHAFT, Choke
109A	693628		SHAFT, Choke
109C	790624		SHAFT, Choke
117	498978		JET, Main -(Standard)
117D	798661		JET, Main -(Standard)
118	498975		JET, Main -(High Altitude)
118D	798660		JET, Main -(High Altitude)
121	792006		KIT, Carburetor Overhaul
121D	797634		KIT, Carburetor Overhaul
122	795643		SPACER, Carburetor -(Black)
122	795208		SPACER, Carburetor -(Grey/Coffee)
125D	798653		CARBURETOR
127	691739		PLUG-WELCH -(5/16 Diameter)
127E	797633		PLUG, Welch
130	691181		VALVE-THROTTLE
130D	797630		VALVE, Throttle
133	398187		FLOAT-CARBURETOR
133B	797136		FLOAT, Carburetor
134	398188		KIT-NEEDLE/SEAT
137	693981		GASKET-FLOAT BOWL
137C	797625		GASKET, Float Bowl
163A	792870		GASKET, Air Cleaner -(High Mount)
163B	696024		GASKET, Air Cleaner -(Flat Panel Air Cleaner)
186	692317		CONNECTOR-HOSE
187	791766		LINE, Fuel -(Cut To Required Length)
187A	791867		LINE, Fuel -(Molded)
187B	791874		LINE, Fuel -(Molded)
187C	791866		LINE-FUEL -(Molded)
190	699220		SCREW -(Fuel Tank)

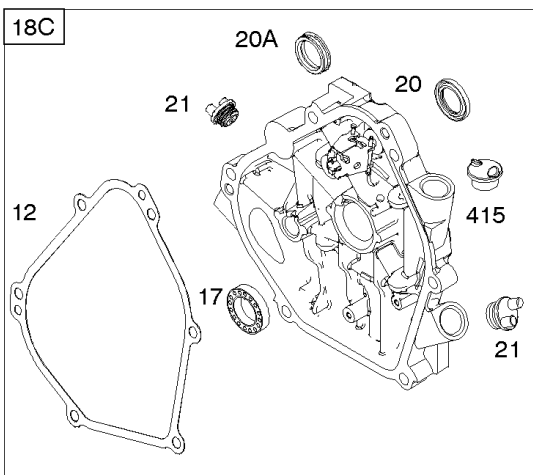
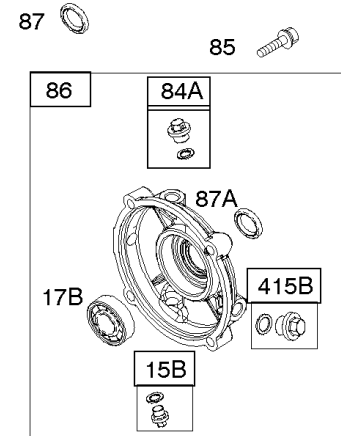
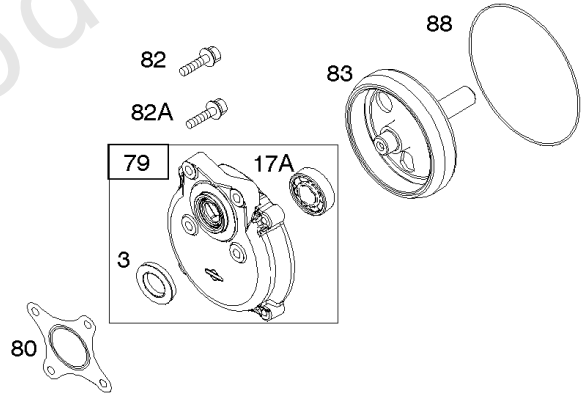
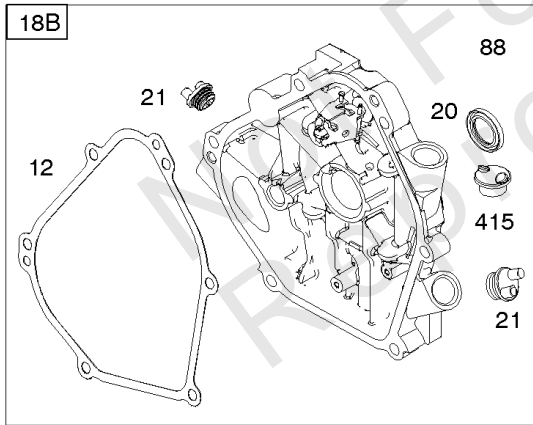
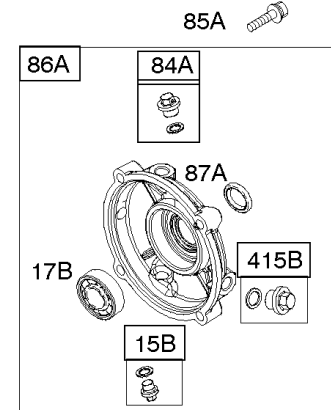
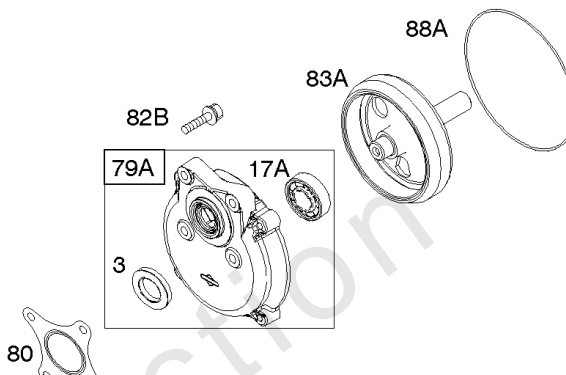
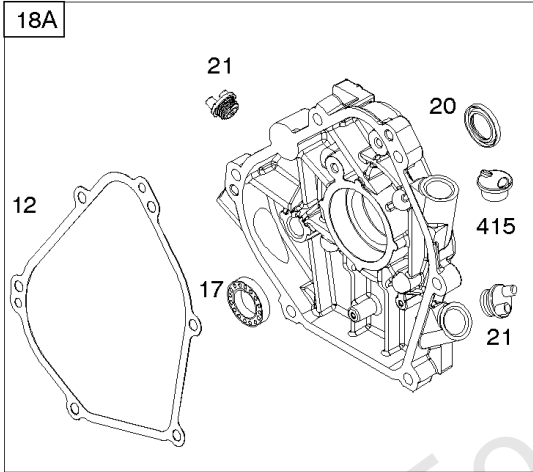
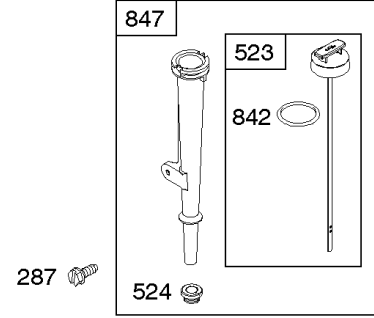
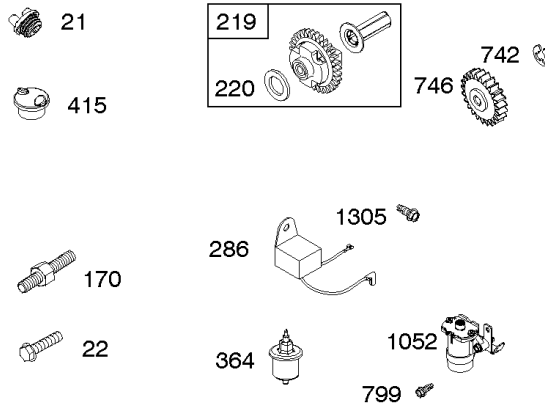
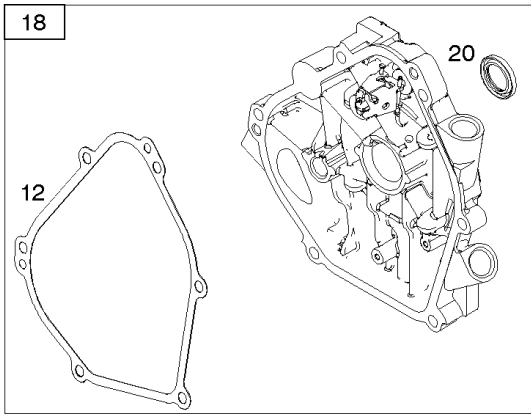


Carburetor, Fuel Supply

REF NO	PART NO	QTY	DESCRIPTION
240	298090S		FILTER, Fuel
240A	694485		FILTER, Fuel
276	271716		WASHER-SEALING
276C	797632		WASHER, Sealing
365	699484		SCREW -(Carburetor)
601	791850		CLAMP, Hose
633	693867		SEAL, Choke/Throttle Shaft
633A	691321		SEAL-CHOKE/THR SHAFT -(Throttle Shaft)
633B	797629		SEAL, Choke/Throttle Shaft
692	690572		SPRING, Detent -(Choke)
692B	797624		SPRING, Detent
951	790630		LEVER, Choke
957	795027		CAP, Fuel Tank -(Text Free)
957	792647		CAP, Fuel Tank -(Fresh Start)
957A	799719		CAP, Fuel Tank -(Carbon In Cap)
958	698180		VALVE-FUEL SHUT OFF
972	799863		TANK, Fuel
975	796611		BOWL, Float
975C	797631		BOWL, Float

Crankcase Cover, Gear Reduction, Lubrication

Mfg. No: 126312-1293-B8

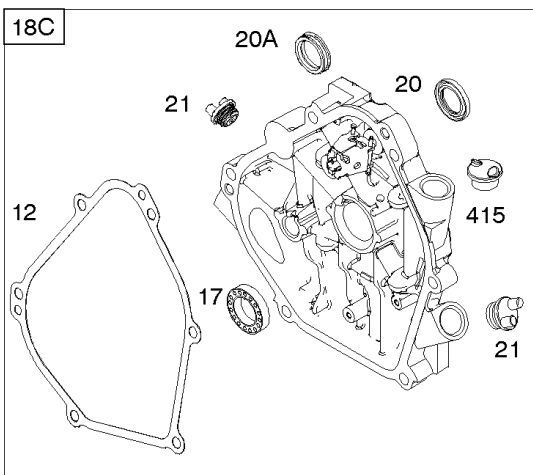
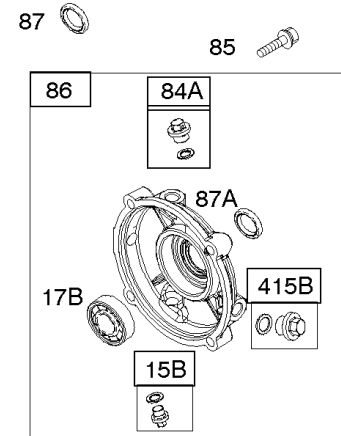
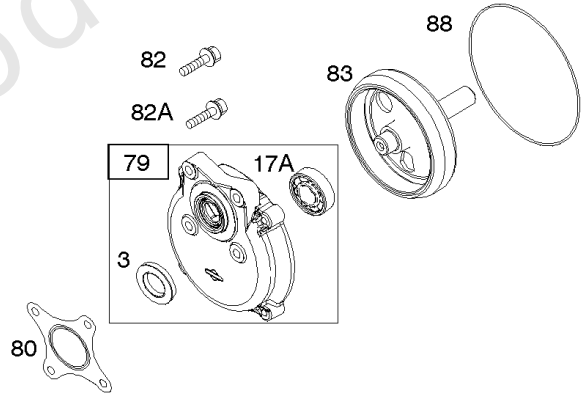
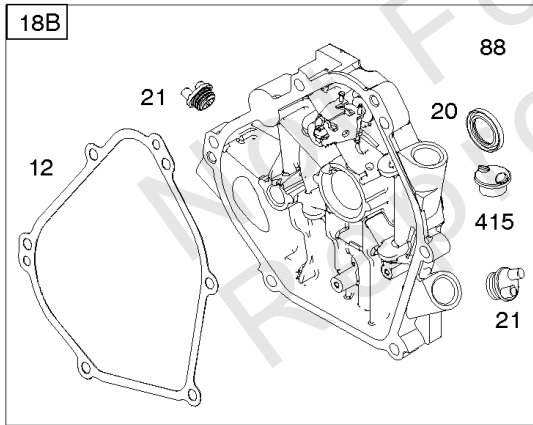
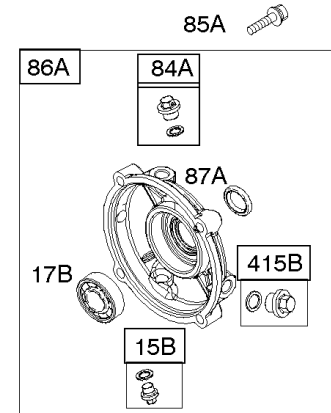
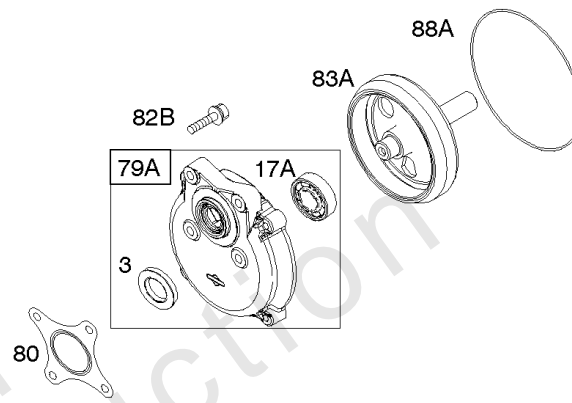
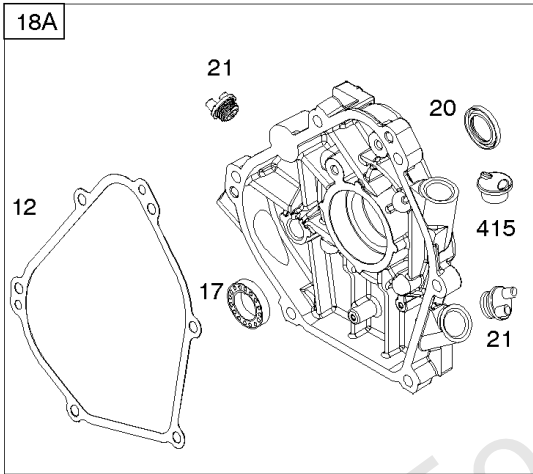
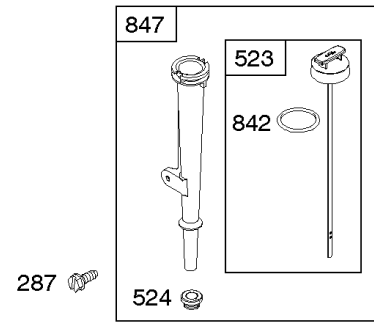
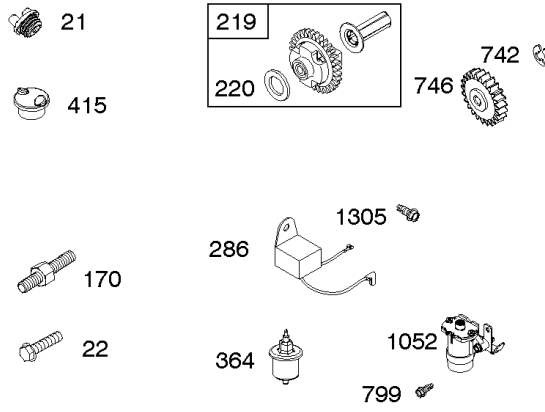
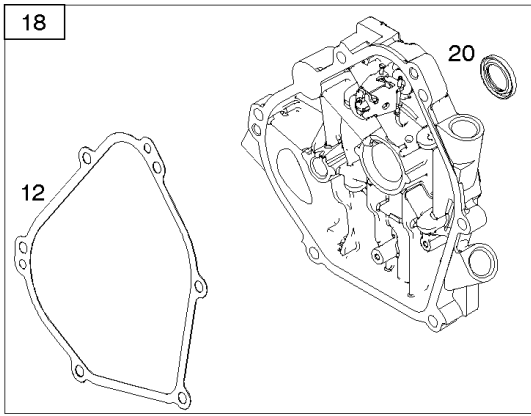


Crankcase Cover, Gear Reduction, Lubrication

REF NO	PART NO	QTY	DESCRIPTION
3	299819S		SEAL, Oil -(Magneto Side)
12	699485		GASKET-CRANKCASE
15B	792750		PLUG, Oil Drain
17	798538		BEARING-BALL -(PTO Side)
17A	690824		BEARING-BALL -(PTO Side)
17B	99158		BEARING-BALL
18	699804		COVER, Crankcase
18	699804		COVER, Crankcase -Used After Code Date 07070200
20	692550		SEAL-OIL -(PTO Side)
21	281658S		CAP-OIL FILL
22	799318		SCREW -(Crankcase Cover/Sump)
79	694511		CASE, Gear Reduction -Used Before Code Date 06051700
79A	792746		CASE, Gear Reduction -Used After Code Date 06051600
80	792755		GASKET, Gear Case
82	690369		SCREW -(Gear Reduction Case) -Used Before Code Date 06051700
82A	790197		SCREW -(Gear Reduction Case) -Used Before Code Date 06051700
82B	792753		SCREW -(Gear Reduction Case) -Used After Code Date 06051600
83	690374		SHAFT, Auxiliary Drive -Used Before Code Date 06051700
83A	792756		SHAFT, Auxiliary Drive -Used After Code Date 06051600
84A	792759		PLUG, Breather
85	692551		SCREW -(Gear Cover) -Used Before Code Date 06051700
85A	690711		SCREW -(Gear Cover) -Used After Code Date 06051600
86	690608		COVER, Gear -Used Before Code Date 06051700
86A	795647		COVER, Gear -Used After Code Date 08010100
86A	792748		COVER-GEAR -Used After Code Date 06051600 -Used Before Code Date 08010200
87	691582		SEAL, Gear Reduction -Used Before Code Date 06051700
87A	792752		SEAL, Gear Reduction -Used After Code Date 06051600
88	691600		GASKET, Gear Cover/Housing
88A	792760		GASKET, Gear Cover/Housing
170	699818		STUD -(Crankcase Cover/Sump)
219	693578		GEAR, Governor
220	691724		WASHER -(Governor Gear)

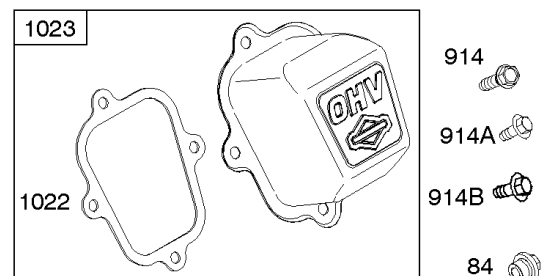
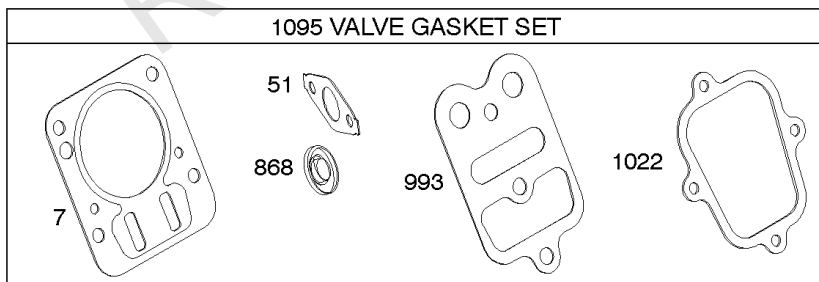
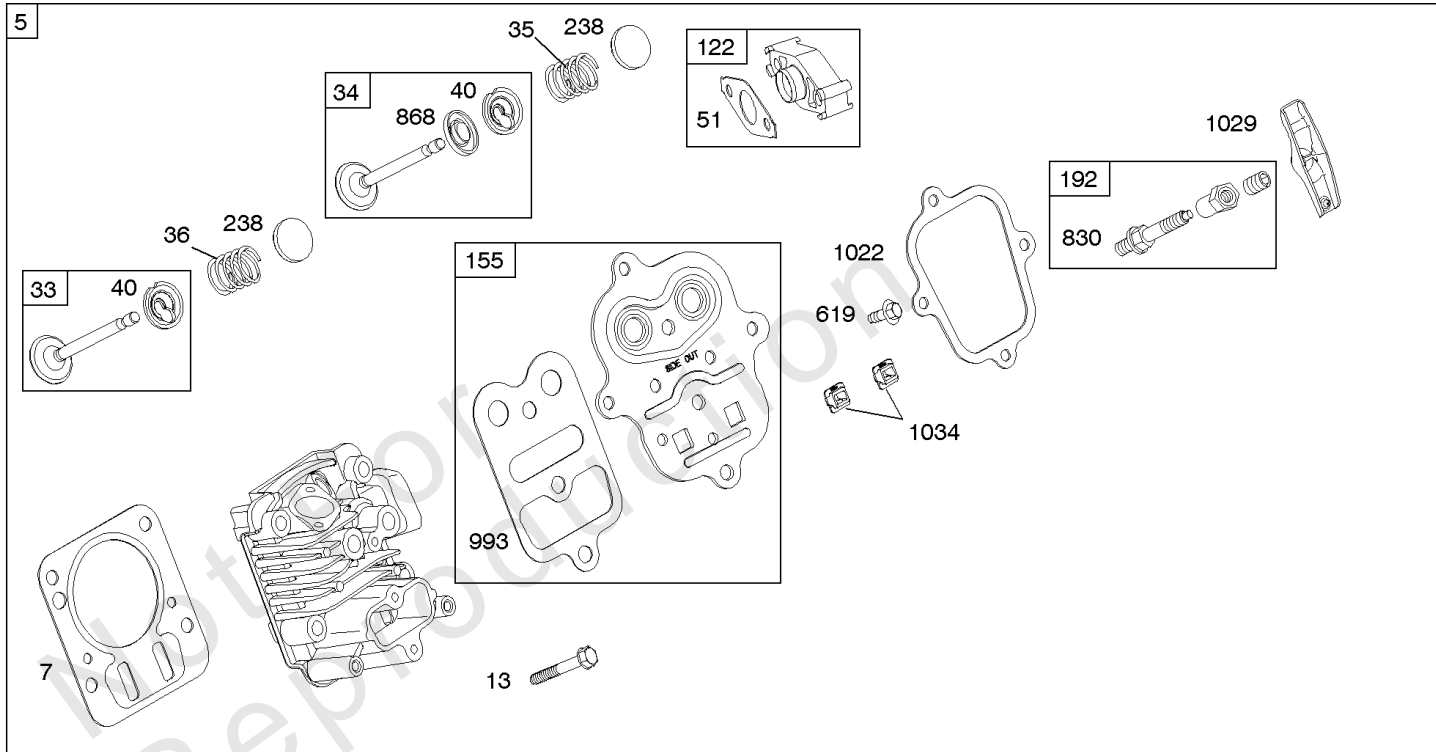
Crankcase Cover, Gear Reduction, Lubrication

Mfg. No: 126312-1293-B8



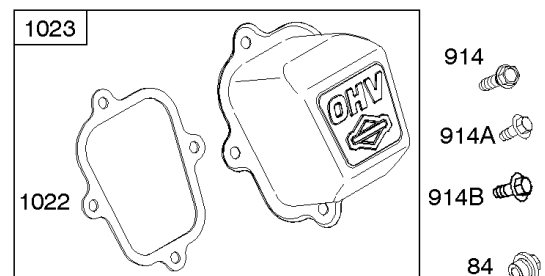
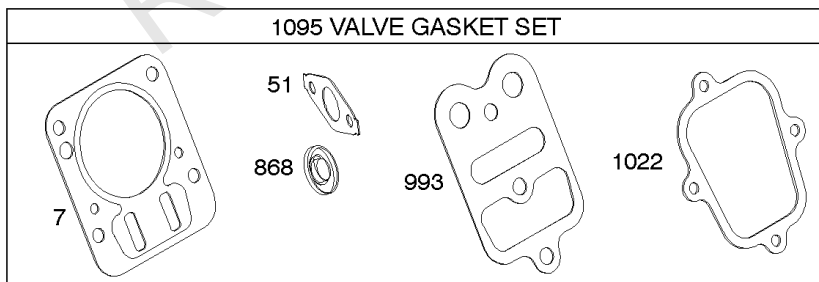
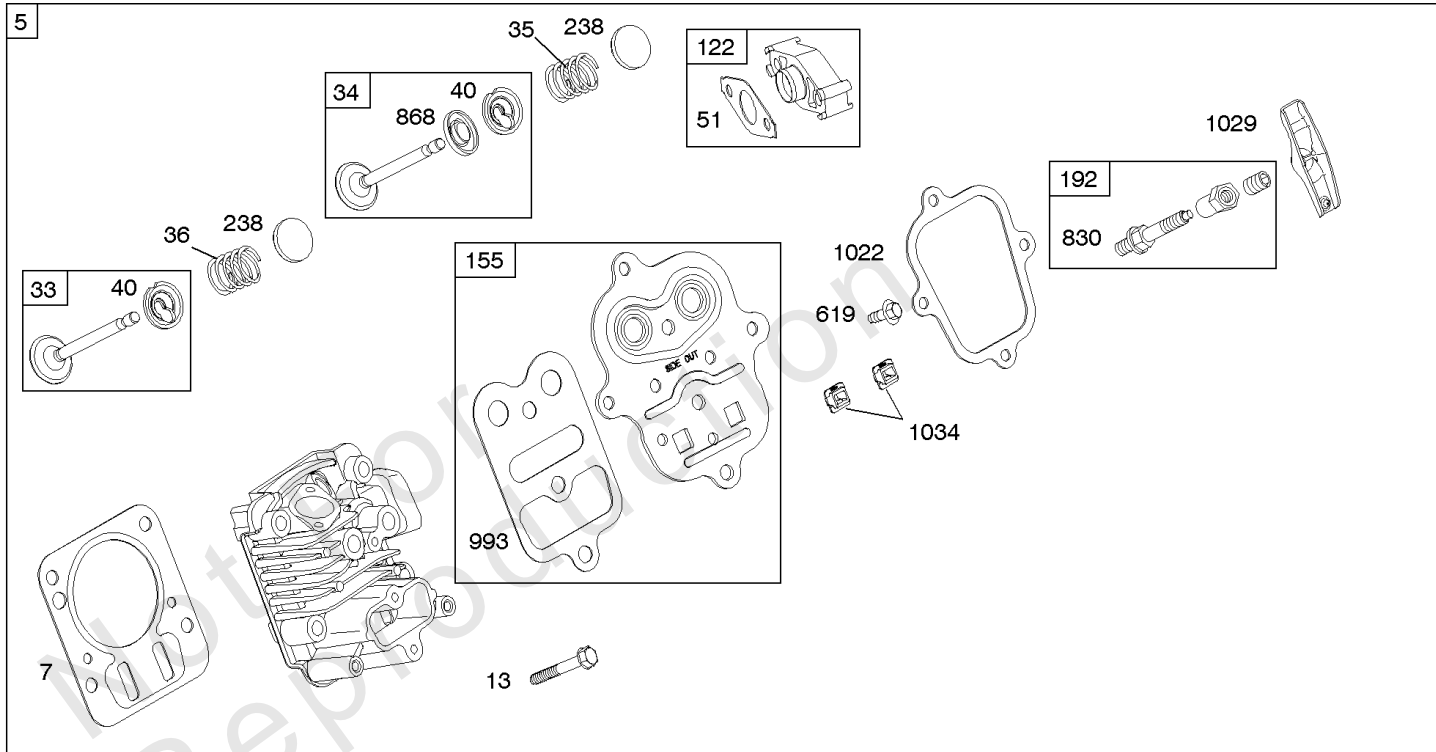
Crankcase Cover, Gear Reduction, Lubrication

REF NO	PART NO	QTY	DESCRIPTION
286	794185		MODULE, Oil Sensor
287	699234		SCREW -(Dipstick Tube)
364	695693		TERMINAL, Oil Plug
415	693463		PLUG -(Crankcase Cover/Sump)
415B	792749		PLUG
523	693618		DIPSTICK
524	281370S		SEAL-DIPSTICK TUBE -(Dipstick Tube)
742	692564		RETAINER, E Ring
746	790278		GEAR-IDLER
799	699202		SCREW -(Oil Sensor)
842	691031		SEAL, O-Ring -(Dipstick Tube)
847	693617		DIPSTICK/TUBE ASSEMBLY
1052	790141		SENSOR, Oil
1305	699691		SCREW -(Oil Sensor Module)



Cylinder Head

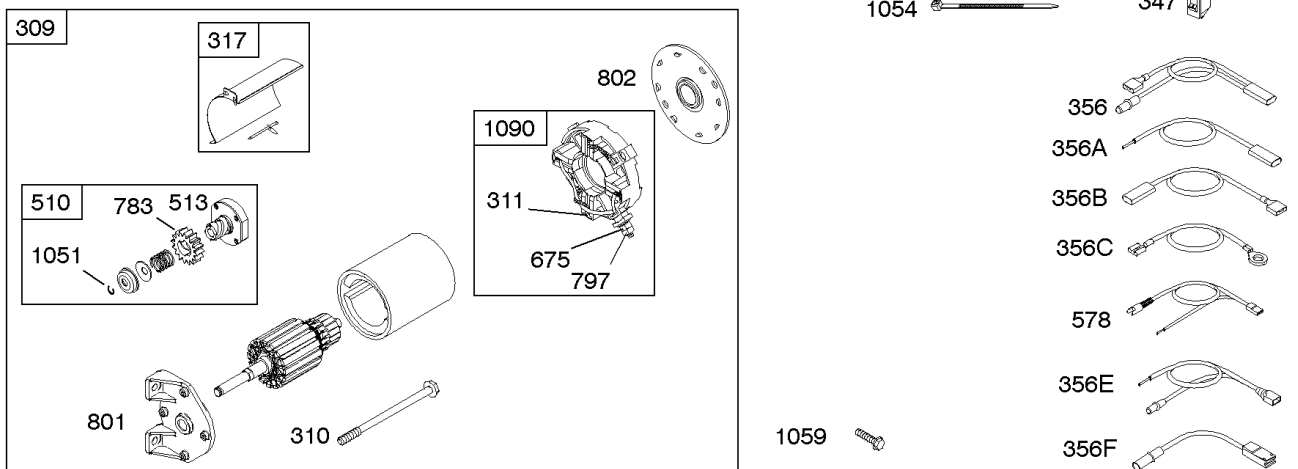
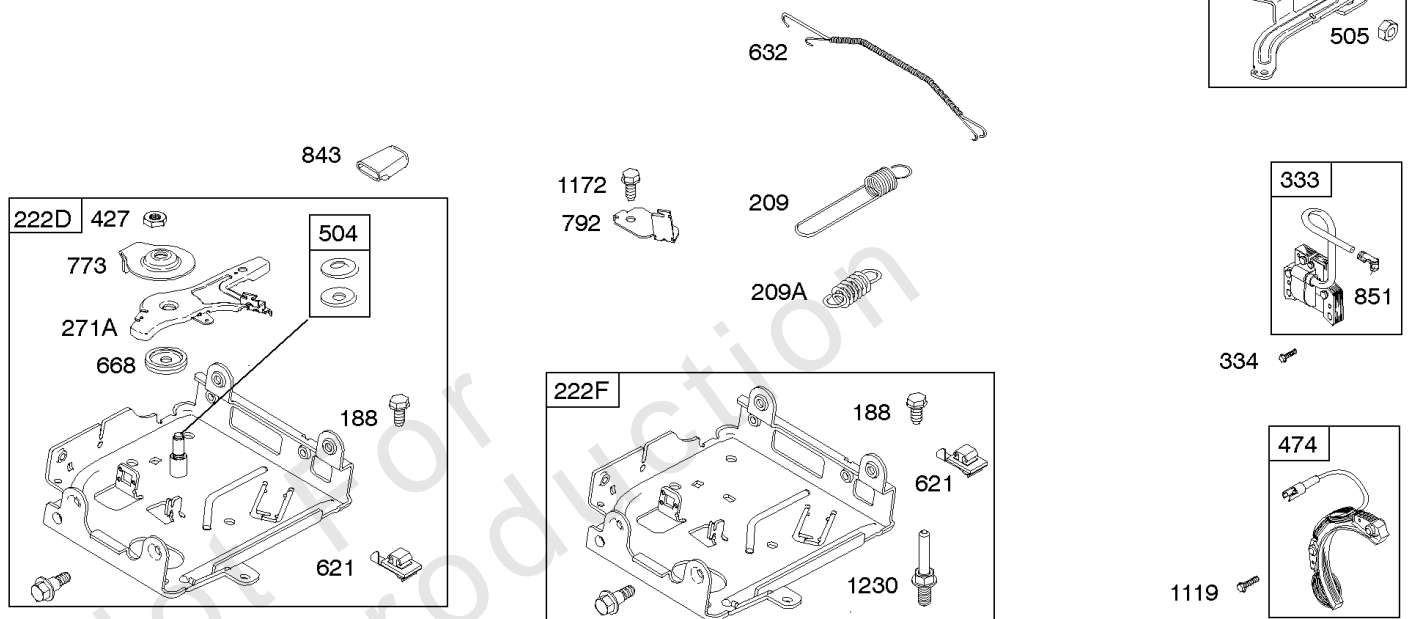
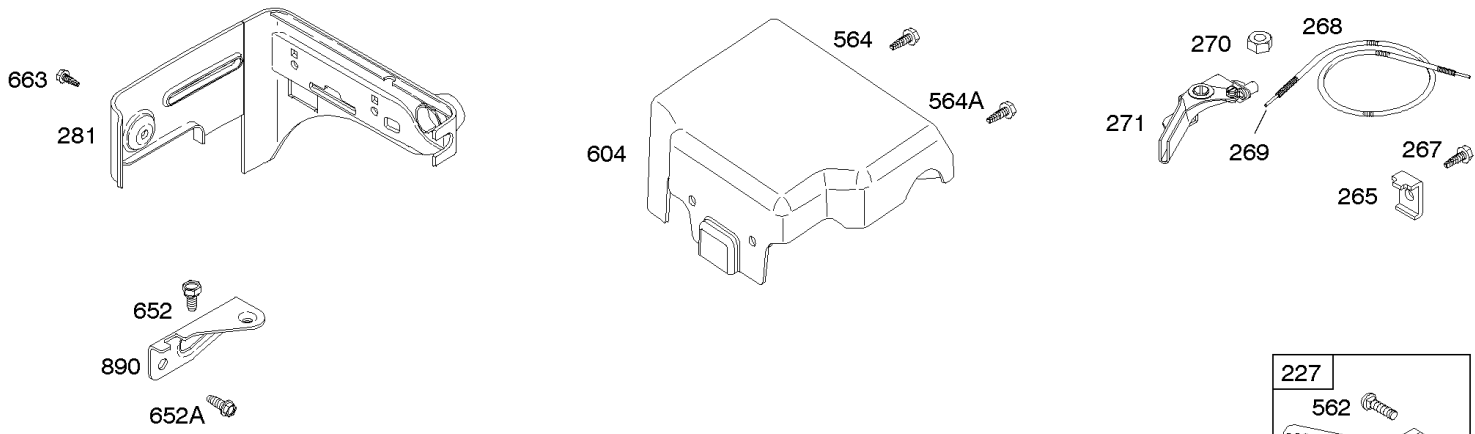
REF NO	PART NO	QTY	DESCRIPTION
5	797439		HEAD, Cylinder -(SAE)
7	698210		GASKET, Cylinder Head
13	699482		SCREW -(Cylinder Head)
33	499642		VALVE, Exhaust
34	795443		VALVE, Intake
35	691304		SPRING, Valve -(Intake)
36	691304		SPRING, Valve -(Exhaust)
40	692194		RETAINER, Valve
45	690977		TAPPET, Valve
51	692555		GASKET, Intake -(2 Required)
84	691121		PLUG-BREATHER
122	795208		SPACER, Carburetor -(Grey/Coffee)
122	795643		SPACER, Carburetor -(Black)
155	698214		PLATE, Cylinder Head -(SAE) -Used Before Code Date 09061800
155	797442		PLATE, Cylinder Head -(Metric) -Used After Code Date 09061700
192	797440		ADJUSTER, Rocker Arm -(Metric) -Used After Code Date 09061700
192	694543		ADJUSTER-ROCKER ARM -(SAE) -Used Before Code Date 09061800
238	691300		CAP, Valve
337	491055S		PLUG, Spark -(Resistor)
337	691043		PLUG, Spark -(EMS)
337	84007216	2	PLUG, SPARK -(China Only)
383	19576S		WRENCH, Spark Plug
619	699481		SCREW -(Cylinder Head Plate)
635	692076		BOOT, Spark Plug
635A	798619		BOOT-SPARK PLUG
830	694544		STUD-ROCKER ARM -(Rocker Arm) (SAE) -Used Before Code Date 09061800
830	797441		STUD, Rocker Arm -(Rocker Arm) (Metric) -Used After Code Date 09061700
868	795440		SEAL-VALVE
914	699481		SCREW -(Rocker Cover) (Bottom)
914A	797444		SCREW -(Rocker Cover) (Quantity 1 Top Or Center) -Used After Code Date 09061700
914A	692557		SCREW -(Rocker Cover) (Top) -Used Before Code Date 09061800



Cylinder Head

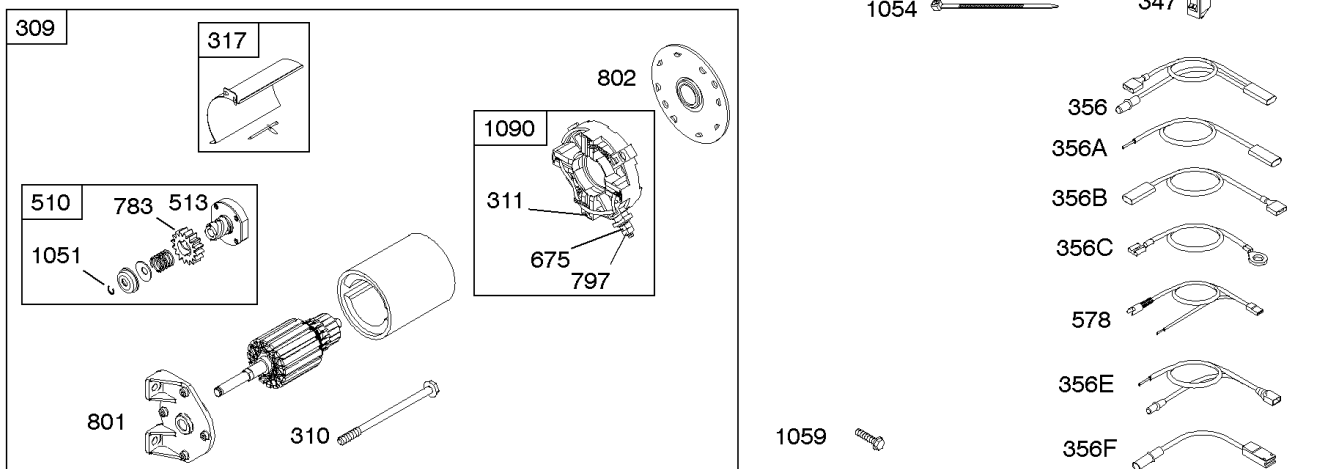
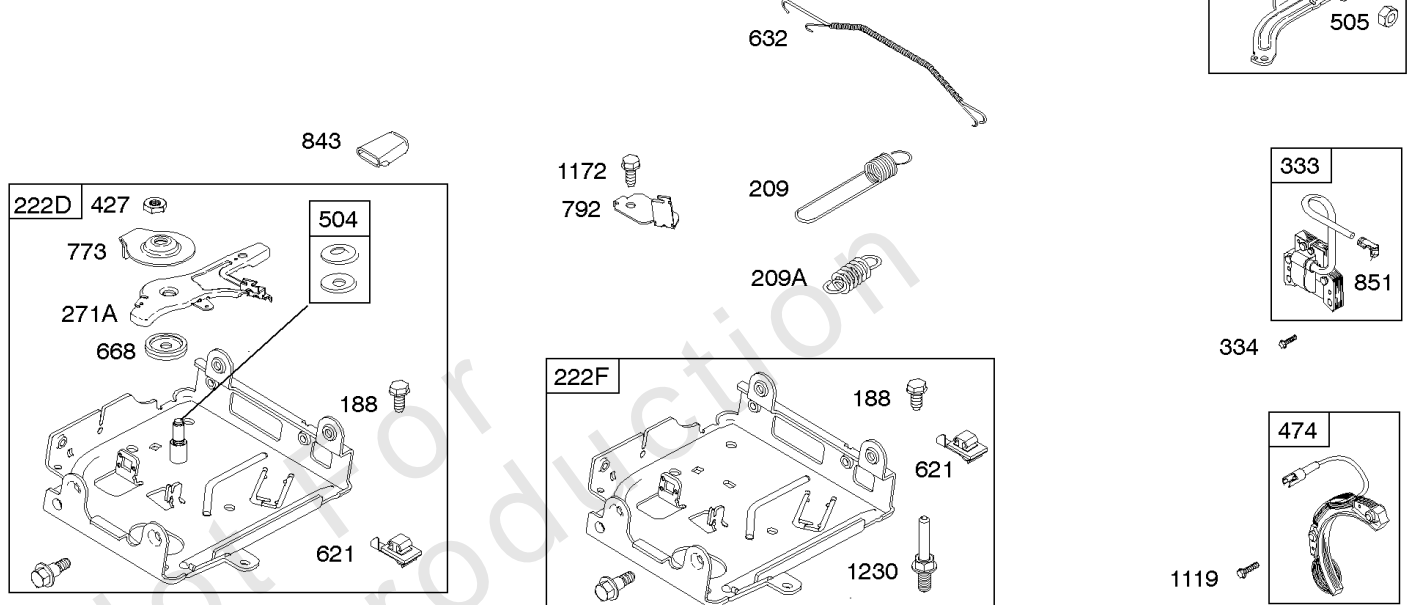
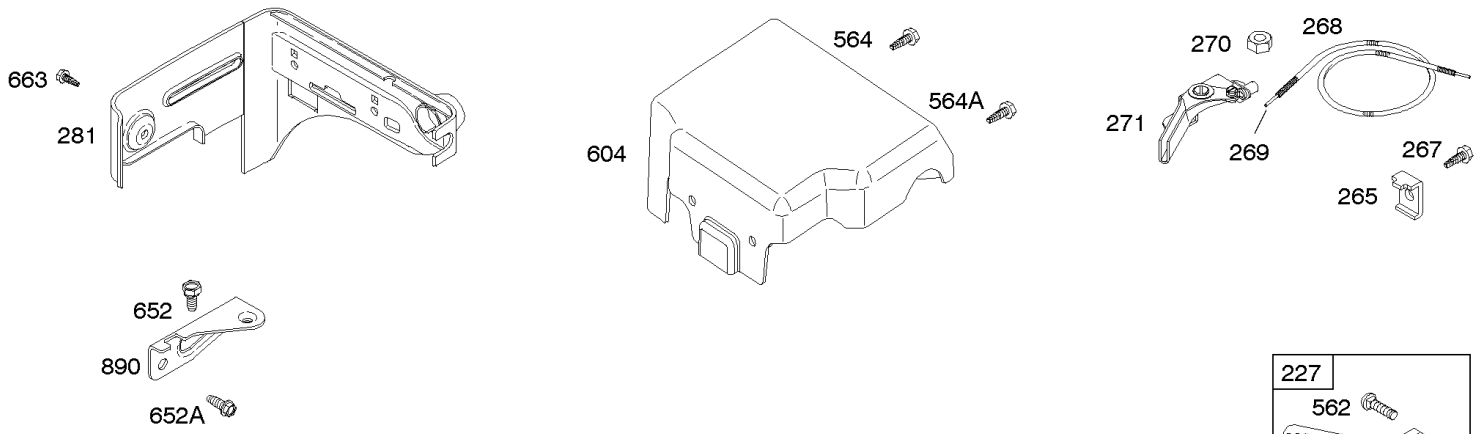
REF NO	PART NO	QTY	DESCRIPTION
914B	697551		SCREW -(Rocker Cover) (Center) -Used Before Code Date 09061800
993	694088		GASKET-CYL HD PLATE
1022	691890		GASKET-ROCKER COVER
1023	499924		COVER, Rocker
1026	790287		ROD, Push
1029	691230		ARM, Rocker -(SAE) -Used Before Code Date 09061800
1029	797443		ARM, Rocker -(Metric) -Used After Code Date 09061700
1034	691343		GUIDE-PUSH ROD
1095	791798		GASKET SET, Valve

Not For Reproduction



Electric Starter, Governor Springs, Ignition

REF NO	PART NO	QTY	DESCRIPTION
188	699479		SCREW -(Control Bracket)
209	692571		SPRING, Governor
209A	691278		SPRING, Governor
222D	793107		BRACKET, Control
222F	793100		BRACKET, Control
227	794367		LEVER-GOVERNOR CONTRO
265	691024		CLAMP, Casing
267	699492		SCREW -(Casing Clamp)
268	691025		CASING, Control Wire -(Cut To Required Length)
269	691026		WIRE, Control -(Cut To Required Length)
270	691027		NUT -(Control Wire Casing)
271	691028		LEVER, Control
271A	694256		LEVER, Control
281	793122		PANEL, Control
309	694504		MOTOR, Starter
310	690323		SCREW -(Starter Motor)
311	497608		SET, Brush
317	695494		COVER, Starter
333	796964		ARMATURE, Magneto
334	699477		SCREW -(Magneto Armature)
347	697854		SWITCH, Rocker
356	693651		WIRE, Stop
356A	692390		WIRE, Stop
356C	695630		WIRE, Stop
356E	695814		WIRE, Stop
356F	697397		WIRE, Stop
356B	692602		WIRE-STOP
427	798458		NUT -(Control Bracket) (Metric)
427	694255		NUT -(Control Bracket) (SAE)
474	793640		ALTERNATOR
504	695383		SET, Friction Washer
505	691251		NUT -(Governor Control Lever)
510	499308		DRIVE-STARTER
513	692024		CLUTCH, Drive
562	691119		BOLT -(Governor Control Lever)
564	699491		SCREW -(Control Cover)
564A	699206		SCREW -(Control Cover)
575	692303		SWITCH-STARTING
578	695283		WIRE ASSEMBLY
604	697326		COVER-CONTROL
621	692310		SWITCH, Stop
632	693408		SPRING/LINK, Mechanical Governor



Electric Starter, Governor Springs, Ignition

REF NO	PART NO	QTY	DESCRIPTION
652	699755		SCREW -(Support Bracket)
652A	699481		SCREW -(Support Bracket)
663	699206		SCREW -(Control Panel)
668	694257		SPACER
675	691261		WASHER -(Brush Retainer)
773	694258		RETAINER -(Control Bracket)
783	692353		GEAR-PINION
792	694259		BRACKET, Fixed Speed
797	691029		NUT -(Brush Retainer)
801	694482		CAP-DRIVE
802	691286		CAP, End
843	695588		SLEEVE, Lever
851	493880S		TERMINAL-SPARK PLUG
890	694933		BRACKET, Support
1051	691265		RING, Retaining
1054	280275		TIE, Cable
1059	793567		KIT-SCREW/WASHER
1090	691293		RETAINER, Brush
1119	699772		SCREW -(Alternator)
1172	699230		SCREW -(Fixed Speed Bracket)
1217	691075		WASHER -(Starting Switch)
1225	696198		NUT -(Starting Switch)
1230	699847		STUD -(Control Bracket)

Replacement Engine - US & Canada

REF NO	PART NO	QTY	DESCRIPTION
	12S4020023	1	Replacement Engine
	699582	1	Replacement Short Block
-----			Top No-Load Speed: 3600 -Trim: ALL
-----			Service Note: Transfer Muffler and/or Spark Arrester Assembly from the original engine if suitable for additional service or add new parts as required
-----			Service Note: For all Go-Karts use only a Model 136200 series engine as a replacement, regardless of the original Model.

Not For Reproduction

