

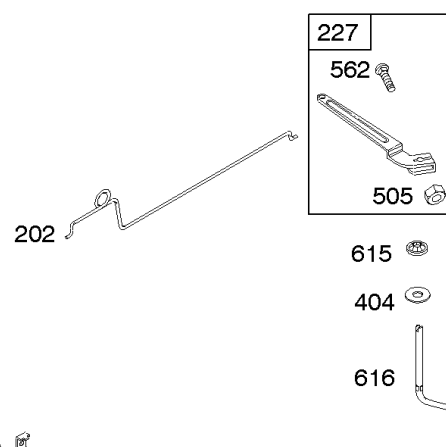
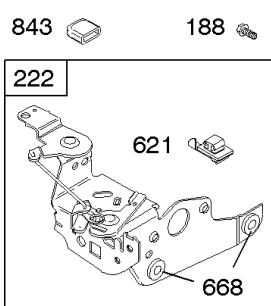
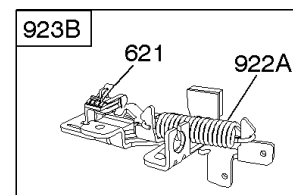
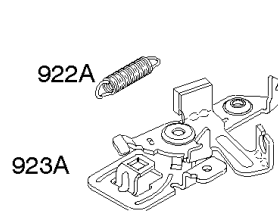
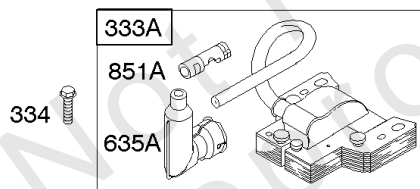
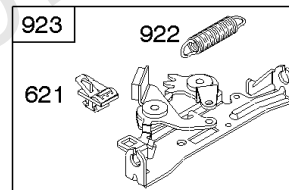
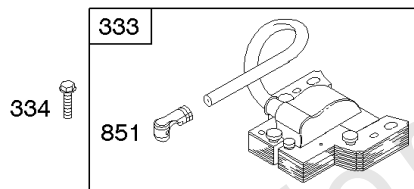
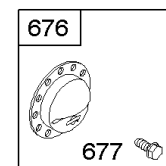
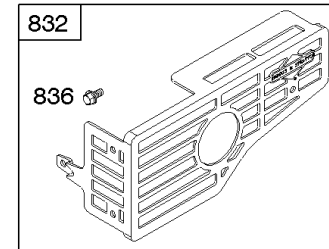
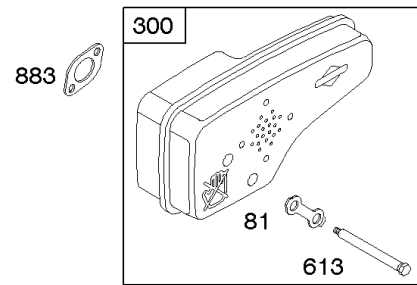
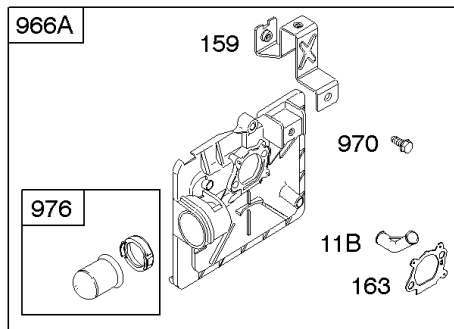
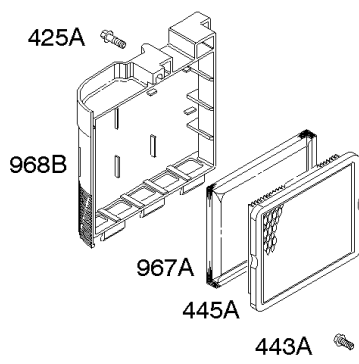


Parts Manual

Mfg. No: 124H82-0110-B1

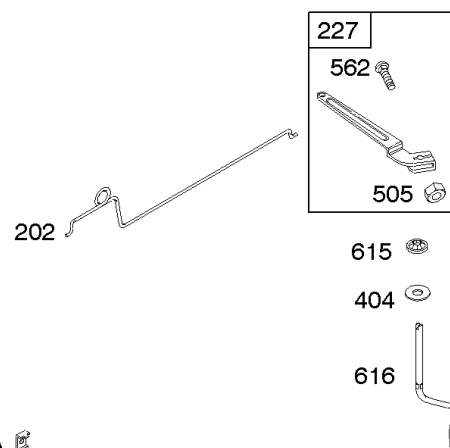
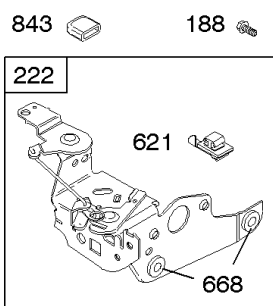
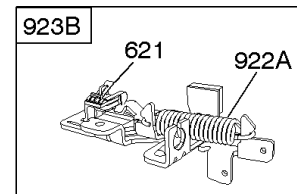
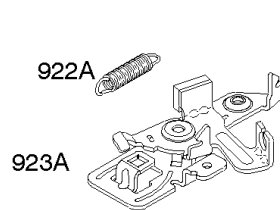
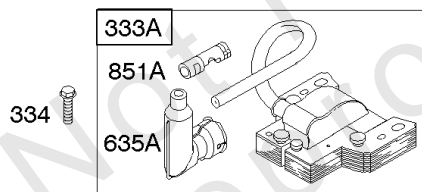
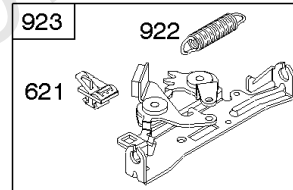
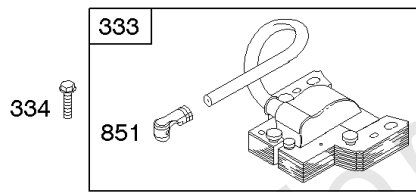
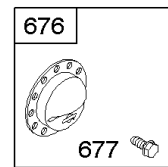
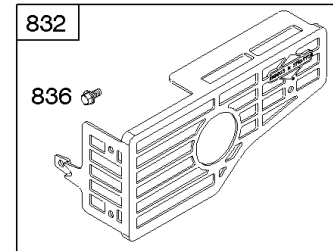
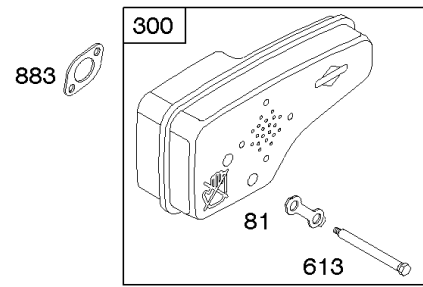
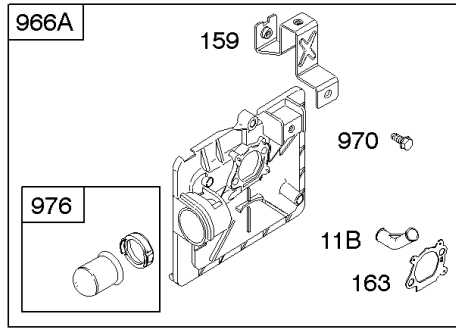
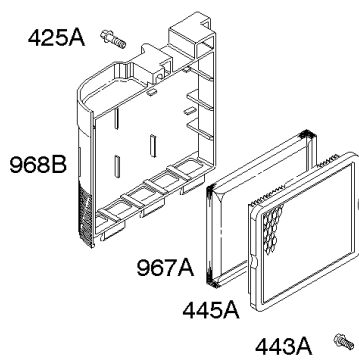
Model Components	Page
Air Cleaner, Controls, Electrical, Exhaust System, Flywheel Brake, Governor Spring, Ignition.	4
Blower Housing/Shrouds, Flywheel, Rewind Starter.	8
Camshaft, Crankshaft, Cylinder, Engine Sump, Kit/Gasket, Lubrication, Piston Group, Valves.	10
Carburetor, Fuel Supply.	20
Replacement Engine - US & Canada.	22

Not For
Reproduction



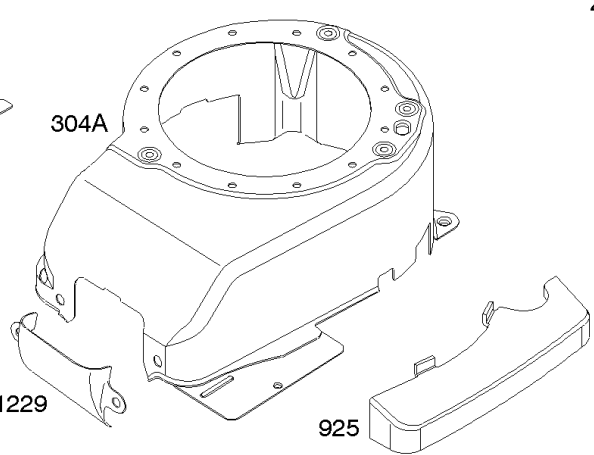
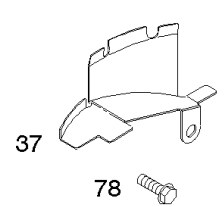
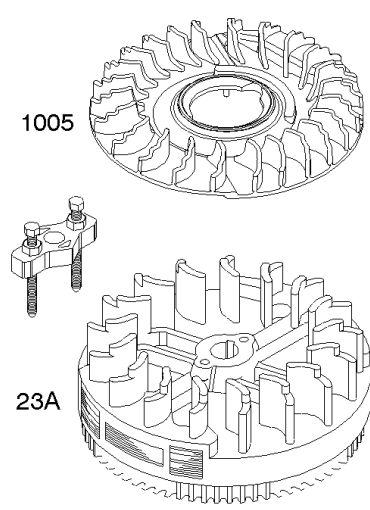
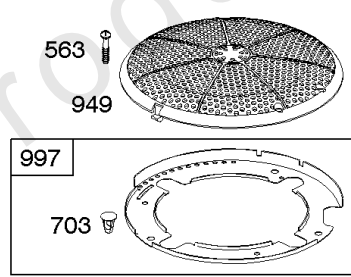
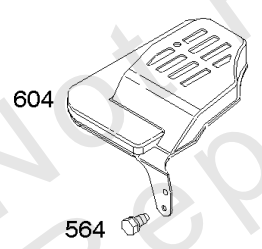
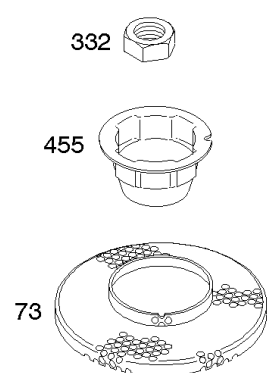
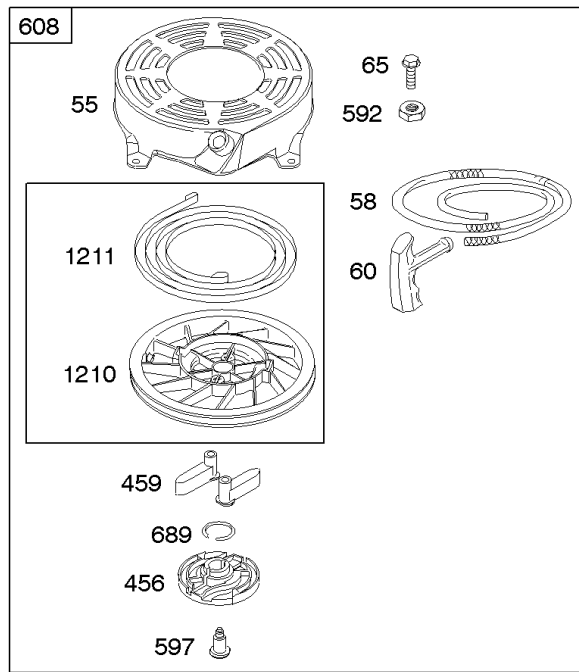
Air Cleaner, Controls, Electrical, Exhaust System, Flywheel Brake, Governor Spring,

REF NO	PART NO	QTY	DESCRIPTION
11B	691923		TUBE, Breather
81	691740		LOCK, Muffler Screw
159	691753		BRACKET, Air Cleaner Primer
163	272653S		GASKET, Air Cleaner -(Air Cleaner)
188	690877		SCREW -(Control Bracket)
202	691829		LINK, Mechanical Governor
209B	691292		SPRING, Governor
222	790143		BRACKET-CONTROL -(Remote/Manual Friction)(Primer)
227	690783		LEVER-GOV CONTROL
265	690798		CLAMP, Casing
265A	691024		CLAMP, Casing
267	691044		SCREW -(Casing Clamp)
268	691025		CASING, Control Wire -(Cut To Required Length)
269	691026		WIRE, Control -(Cut To Required Length)
270	691027		NUT -(Control Wire Casing)
271	691028		LEVER, Control
300	496106S		MUFFLER -(Tuned)
333	802574		ARMATURE, Magneto
333A	793353		ARMATURE, Magneto -(Snap In Spark Plug Boot)
333A	792640		ARMATURE, Magneto -(Screw On Spark Plug Boot)
334	691061		SCREW -(Magneto Armature)
356	692390		WIRE, Stop
404	690272		WASHER -(Governor Crank)
425A	690670		SCREW -(Air Cleaner Cover)
443A	692523		SCREW -(Air Cleaner Primer Base)
445A	491588S		FILTER, A/C Cartridge
505	691251		NUT -(Governor Control Lever)
562	92613		BOLT -(Governor Lever)
613	691340		SCREW -(Muffler)
615	690340		RETAINER, Governor Shaft
616	698801		CRANK-GOVERNOR
621	692310		SWITCH, Stop
635A	793351		SHIELD-SPARK PLUG -(Snap In Style)
635A	792597		BOOT, Spark Plug -(Screw On Style)
668	493823		SPACER -(Includes 2)
676	396548		DEFLECTOR, Muffler -(Single Louver)



Air Cleaner, Controls, Electrical, Exhaust System, Flywheel Brake, Governor Spring,

REF NO	PART NO	QTY	DESCRIPTION
677	690661		SCREW -(Muffler Deflector)
745	691648		SCREW -(Brake)
832	499034		GUARD, Muffler -Used Before Code Date 11070100
832	590486		GUARD, Muffler -Used After Code Date 11063000
836	690664		SCREW -(Muffler Guard)
843	691884		SLEEVE, Lever -(Control Bracket)
851	493880S		TERMINAL-SPARK PLUG
851A	692424		TERMINAL, Spark Plug
883	691881		GASKET, Exhaust
922	691831		SPRING-BRAKE
922A	692135		SPRING, Brake
923A	695891		BRAKE -Used Before Code Date 08050100
923B	796136		BRAKE -Used After Code Date 08043000
966A	496116		BASE, Air Cleaner -(Primer)
967A	493537S		FILTER, Air Cleaner Foam
968B	692298		COVER, Air Cleaner
970	691681		SCREW -(Air Cleaner Primer Bracket)
976	694395		PRIMER, Carburetor



1036 EMISSIONS LABEL

Blower Housing/Shrouds, Flywheel, Rewind Starter

REF NO	PART NO	QTY	DESCRIPTION
23A	691987		FLYWHEEL
37	694086		GUARD, Flywheel
55	691421		HOUSING, Rewind Starter
58	697316		ROPE, Starter -(Cut To Required Length)
60	281434S		GRIP, Starter Rope
60C	799716		GRIP, Starter Rope
65	690837		SCREW -(Rewind Starter)
73	691222		SCREEN, Rotating
78	691108		SCREW -(Flywheel Guard)
304A	695892		HOUSING, Blower
305	691108		SCREW -(Blower Housing)
332	690662		NUT -(Flywheel)
363	19069		PULLER, Flywheel
455	791960		CUP, Flywheel
456	692299		PLATE-PAWL FRICTION
459	281505S		PAWL-RATCHET
563	691138		SCREW -(Debris Screen Guard)
564	690664		SCREW -(Control Cover)
592	690800		NUT -(Rewind Starter)
597	691696		SCREW -(Pawl Friction Plate)
604	691757		COVER-CONTROL
608	497680		STARTER, Rewind
689	691855		SPRING-FRICTION
703	696309		CLIP
925	795403		COVER-LINKAGE -Used After Code Date 07072200
925	690595		COVER, Linkage -Used Before Code Date 07072300
949	696306		GUARD, Debris Screen
997	696310		SHIELD, Debris
1005	691346		FAN, Flywheel
1036	-----		Label-Emissions -(Available From A Briggs & Stratton Authorized Dealer)
1210	498144		PULLEY/SPRING ASSY -(Pulley)
1211	498144		PULLEY/SPRING ASSY -(Spring)
1229	696308		EXTENSION, Blower Housing

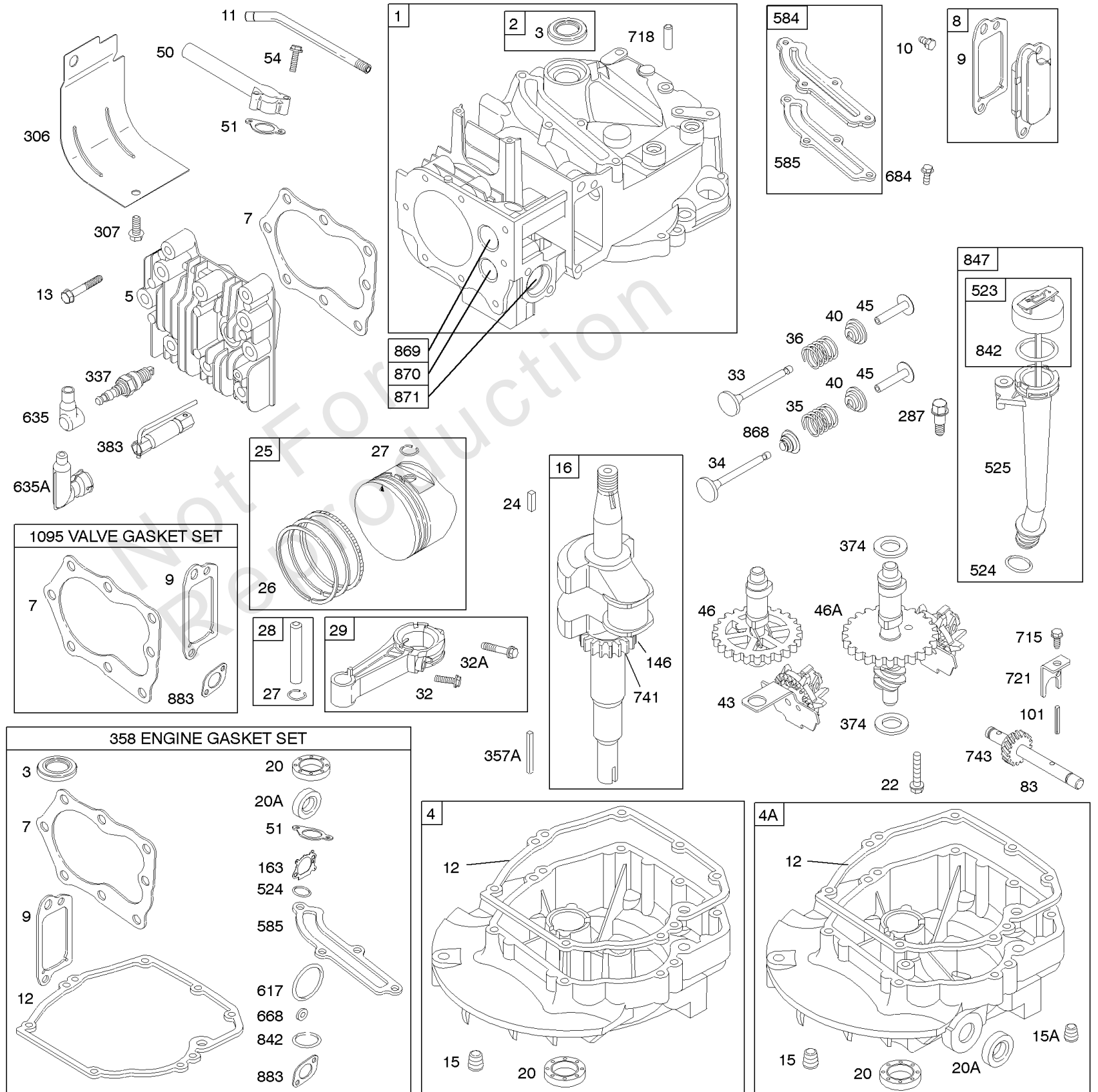
1319 WARNING LABEL

REQUIRED when replacing parts with warning labels affixed.

1058 OPERATOR'S MANUAL

1330 REPAIR MANUAL

1019 LABEL KIT



Camshaft, Crankshaft, Cylinder, Engine Sump, Kit/Gasket, Lubrication, Piston Group,

REF NO	PART NO	QTY	DESCRIPTION
1	590401		CYLINDER ASSEMBLY -Used After Code Date 11063000
1	697324		CYLINDER ASSEMBLY -Used Before Code Date 11070100
2	399269		KIT, Bushing/Seal -(Magneto Side)
3	299819S		SEAL, Oil -(Magneto Side)
4	493279		SUMP, Engine
4A	493365		SUMP, Engine -(Auxiliary PTO)
5	691160		HEAD, Cylinder -Used Before Code Date 11070100
5	590411		HEAD, Cylinder -Used After Code Date 11063000
7	692249		GASKET, Cylinder Head -Used Before Code Date 11070100
7	799875		GASKET, Cylinder Head -Used After Code Date 11063000
8	695250		BREATHER ASSEMBLY -Used Before Code Date 11070100
8	590395		BREATHER ASSEMBLY -Used After Code Date 11063000
9	699472		GASKET, Breather -Used After Code Date 11063000
9	699833		GASKET-BREATHER -Used Before Code Date 11070100
10	691125		SCREW -(Breather Assembly)
11	691781		TUBE-BREATHER
12	692232		GASKET, Crankcase
13	590422		SCREW -(Cylinder Head) -Used After Code Date 11063000
13	690912		SCREW -(Cylinder Head) -Used Before Code Date 11070100
15	691680		PLUG, Oil Drain -(Square Socket)
15A	691093		PLUG, Oil Drain -(Hex Socket)
16	691450		CRANKSHAFT
20	399781S		SEAL, Oil -(PTO Side)
20A	691952		SEAL, Oil -(PTO Side) (Auxiliary PTO)
22	691092		SCREW -(Crankcase Cover/Sump)
24	222698S		KEY, Flywheel
25	590405		PISTON ASSEMBLY -(.020 Oversize) -Used After Code Date 11063000
25	791096		PISTON ASSEMBLY -(Standard) -Used Before Code Date 07090400
25	791325		PISTON ASSEMBLY -(.020 Oversize) -Used Before Code Date 07090400
25	795429		PISTON ASSEMBLY -(Standard) -Used After Code Date 07090300 -Used Before Code Date 09041700

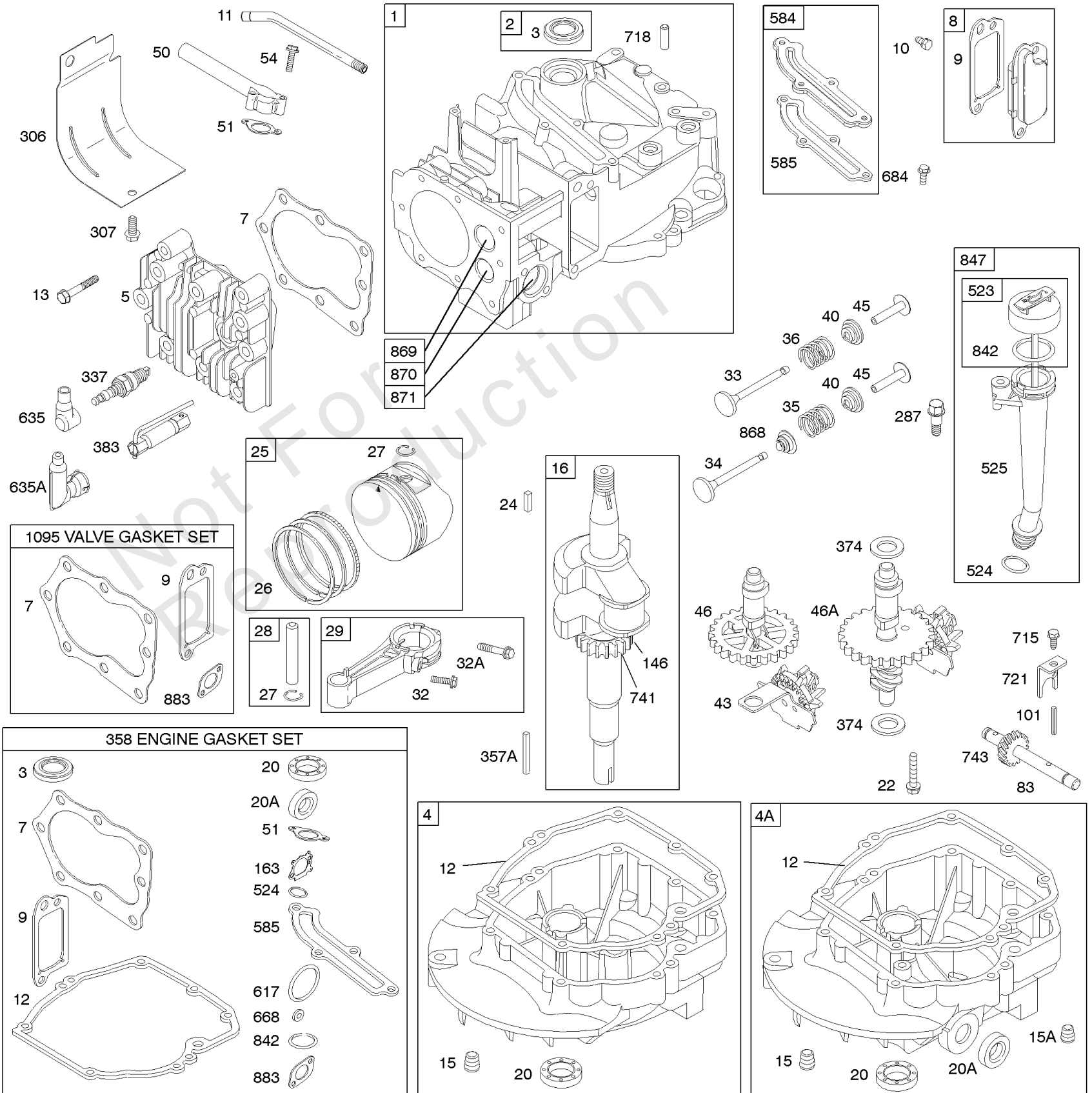
1319 WARNING LABEL

REQUIRED when replacing parts with warning labels affixed.

1058 OPERATOR'S MANUAL

1330 REPAIR MANUAL

1019 LABEL KIT



Camshaft, Crankshaft, Cylinder, Engine Sump, Kit/Gasket, Lubrication, Piston Group,

REF NO	PART NO	QTY	DESCRIPTION
25	795430		PISTON ASSEMBLY -(.020 Oversize) -Used After Code Date 07090300 -Used Before Code Date 09041700
25	797302		PISTON ASSEMBLY -(Standard) -Used After Code Date 09041600 -Used Before Code Date 11070100
25	797303		PISTON ASSEMBLY -(.020 Oversize) -Used After Code Date 09041600 -Used Before Code Date 11070100
25	590404		PISTON ASSEMBLY -(Standard) -Used After Code Date 11063000
26	499427		SET, Ring -(.020 Oversize) -Used Before Code Date 04102200
26	590402		SET, Ring -(Standard) -Used After Code Date 11063000
26	590403		SET, Ring -(.020 Oversize) -Used After Code Date 11063000
26	791098		SET, Ring -(Standard) -Used After Code Date 04031400 -Used Before Code Date 07090400
26	791324		SET, Ring -(.020 Oversize) -Used After Code Date 04102100 -Used Before Code Date 07090400
26	795431		RING SET -(Standard) -Used After Code Date 07090300 -Used Before Code Date 09041700
26	795432		SET, Ring -(.020 Oversize) -Used After Code Date 07090300 -Used Before Code Date 09041700
26	797304		SET, Ring -(Standard) -Used After Code Date 09041600 -Used Before Code Date 11070100
26	797305		SET, Ring -(.020 Oversize) -Used After Code Date 09041600 -Used Before Code Date 11070100
26	499425		SET, Ring -(Standard) -Used Before Code Date 04031500
27	691866		LOCK-PISTON PIN -Used Before Code Date 09041700
27	691588		LOCK, Piston Pin -Used After Code Date 09041600
28	298909		PIN, Piston -(Standard) -Used After Code Date 09041600
28	499423		PIN-PISTON/STD -(Standard) -Used Before Code Date 09041700
29	499424		ROD, Connecting -(Standard) -Used Before Code Date 09041700

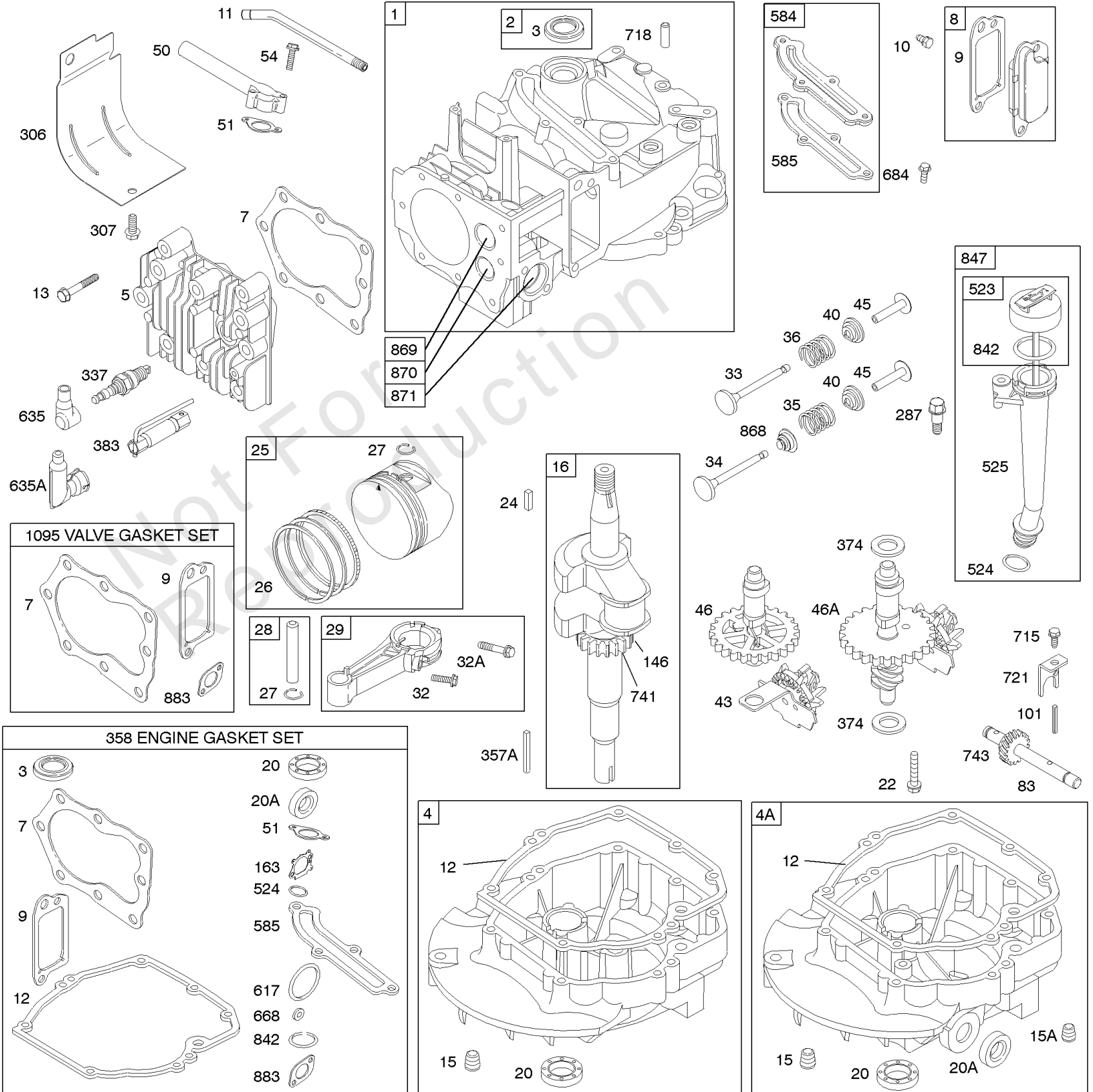
1319 WARNING LABEL

REQUIRED when replacing parts with warning labels affixed.

1058 OPERATOR'S MANUAL

1330 REPAIR MANUAL

1019 LABEL KIT



Camshaft, Crankshaft, Cylinder, Engine Sump, Kit/Gasket, Lubrication, Piston Group,

REF NO	PART NO	QTY	DESCRIPTION
29	797306		ROD, Connecting -(Standard) -Used After Code Date 09041600
32	691664		SCREW -(Connecting Rod)
32A	695759		SCREW -(Connecting Rod)
33	262651S		VALVE, Exhaust -Used Before Code Date 11070100
33	590394		VALVE-EXHAUST -Used After Code Date 11063000
34	262652S		VALVE, Intake -Used Before Code Date 11070100
34	590393		VALVE-INTAKE -Used After Code Date 11063000
35	691270		SPRING, Valve -(Intake)
36	691270		SPRING, Valve -(Exhaust)
40	692194		RETAINER, Valve
43	691997		SLINGER, Governor/Oil
45	690548		TAPPET, Valve
46	691449		CAMSHAFT
46A	691459		CAMSHAFT -(Counterclockwise)
50	497465		MANIFOLD, Intake
51	272199S		GASKET, Intake
54	691650		SCREW -(Intake Manifold)
83	691778		SHAFT, Auxiliary Drive
101	691623		PIN, Shaft
146	690979		KEY, Woodruff
163	272653S		GASKET, Air Cleaner -(Air Cleaner)
287	690940		SCREW -(Dipstick Tube)
306	690450		SHIELD, Cylinder
307	690345		SCREW -(Cylinder Shield)
337	799876		PLUG, Spark -Used After Code Date 11063000
337	802592S		PLUG, Spark -(Resistor) -Used Before Code Date 11070100
337	697451		PLUG, Spark -(EMS) -Used Before Code Date 11070100
357A	691483		KEY, Drive Pulley
358	497316		GASKET SET, Engine -Used Before Code Date 11070100
358	590508		GASKET SET, Engine -Used After Code Date 11063000
374	691074		WASHER -(Camshaft)
383	89838S		WRENCH-SPARK PLUG
523	499621		DIPSTICK
524	692296		SEAL-DIPSTICK TUBE -(Dipstick Tube)

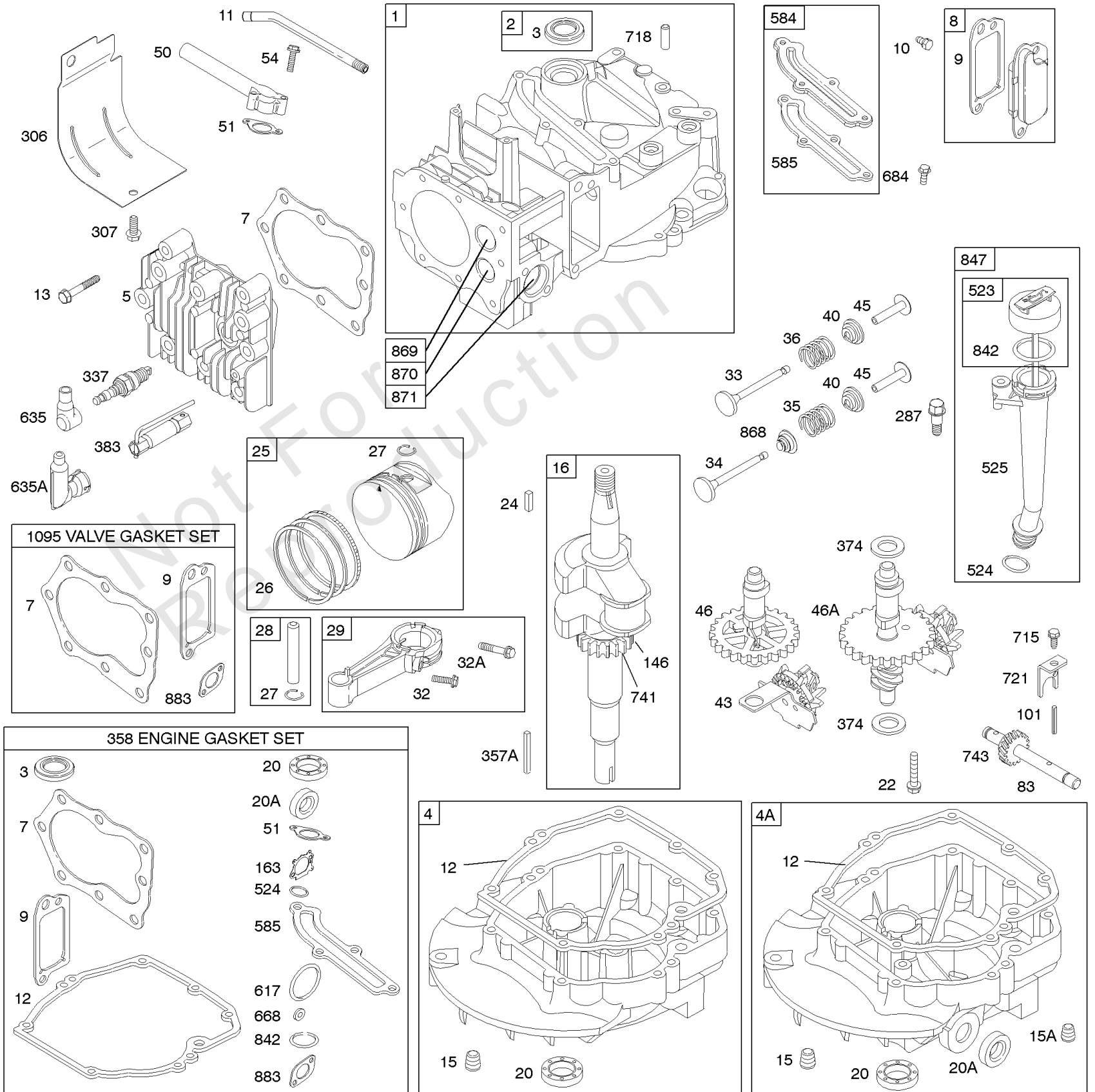
1319 WARNING LABEL

REQUIRED when replacing parts with warning labels affixed.

1058 OPERATOR'S MANUAL

1330 REPAIR MANUAL

1019 LABEL KIT



Camshaft, Crankshaft, Cylinder, Engine Sump, Kit/Gasket, Lubrication, Piston Group,

REF NO	PART NO	QTY	DESCRIPTION
525	495265		TUBE, Dipstick
584	697734		COVER-BREA PASSAGE
585	691879		GASKET-BREA PASSAGE
617	270344S		SEAL, O-Ring -(Intake Manifold)
635	66538S		BOOT, Spark PLug
635A	793351		SHIELD-SPARK PLUG -(Snap In Style)
635A	792597		BOOT, Spark Plug -(Screw On Style)
668	493823		SPACER -(Includes 2)
684	690345		SCREW -(Breather Passage Cover)
715	691147		SCREW -(Stop Shaft)
718	690959		PIN, Locating
721	690449		STOP, Shaft
741	795755		GEAR, Timing -(Plastic) -Used After Code Date 08021700
741	797521		GEAR, Timing -(Metal) -Used After Code Date 08021700
741	691830		GEAR-TIMING -(Uses Woodruff Key)
741	790345		GEAR, Timing -(Use Without Woodruff Key) -Used Before Code Date 07100100
741	794388		GEAR, Timing -(Use Without Woodruff Key) -Used After Code Date 07093000 -Used Before Code Date 08021800
743	691772		GEAR, Drive -(Counterclockwise)
842	691031		SEAL, O-Ring -(Dipstick Tube)
847	692047		DIPSTICK/TUBE ASSY
868	697338		SEAL, Valve -Used Before Code Date 11070100
868	590410		SEAL, Valve -Used After Code Date 11063000
869	691155		SEAT, Valve -(Intake)
870	690380		SEAT, Valve -(Exhaust)
871	63709		BUSHING, Valve Guide -(Intake) -Used Before Code Date 11070100
871	262001		BUSHING-VALVE GUIDE -(Exhaust) -Used Before Code Date 11070100
871	590409		BUSHING, Valve Guide -Used After Code Date 11063000
883	691881		GASKET, Exhaust
1019	696438		KIT, Label
1058	380567TRI		MANUAL, Operator's -Used After Code Date 11063000
1058	277039TRI		MANUAL, Operator's -Used Before Code Date 11070100

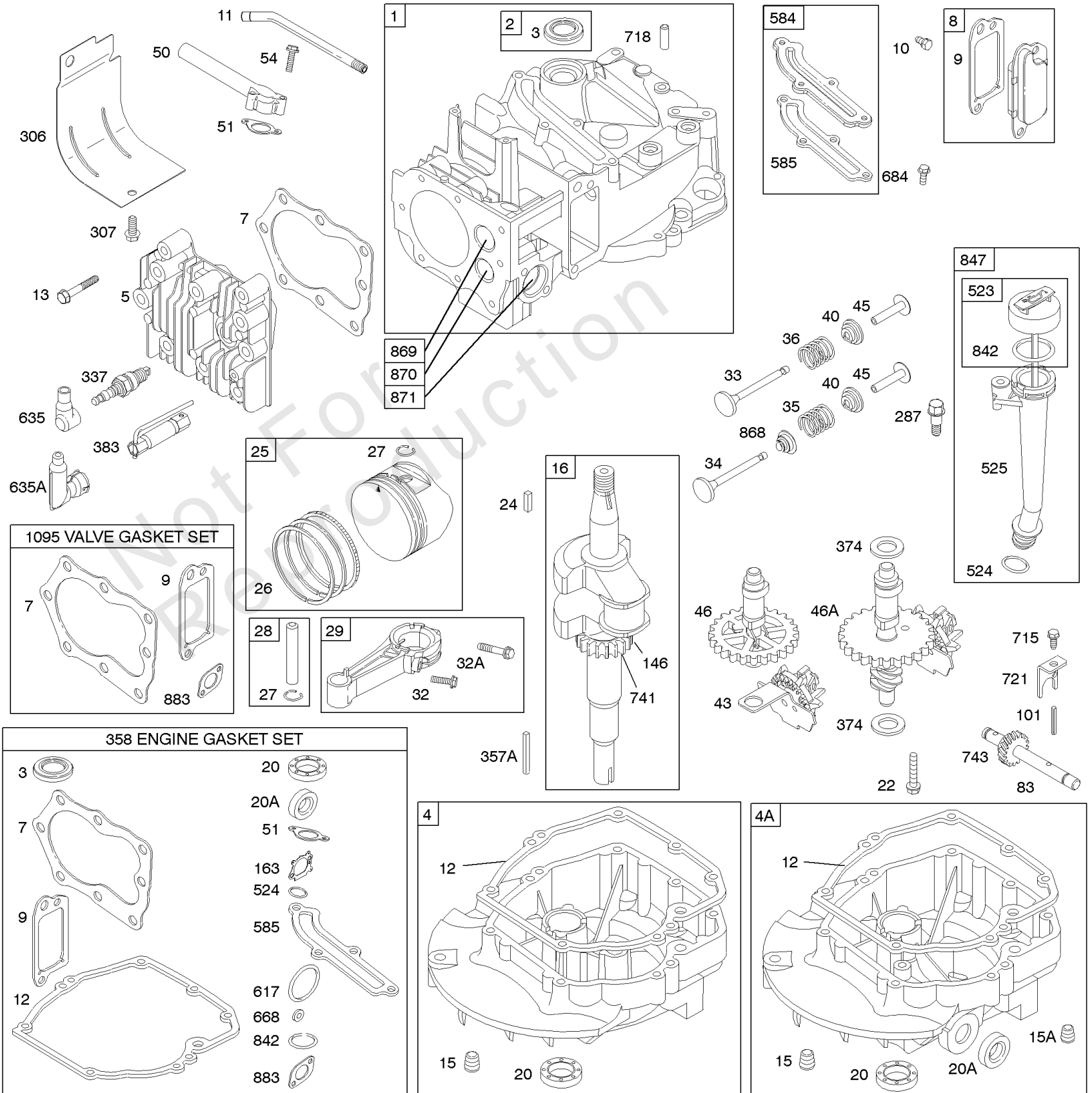
1319 WARNING LABEL

REQUIRED when replacing parts with warning labels affixed.

1058 OPERATOR'S MANUAL

1330 REPAIR MANUAL

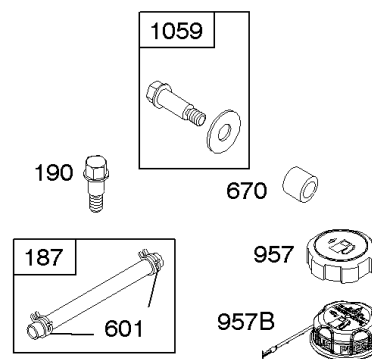
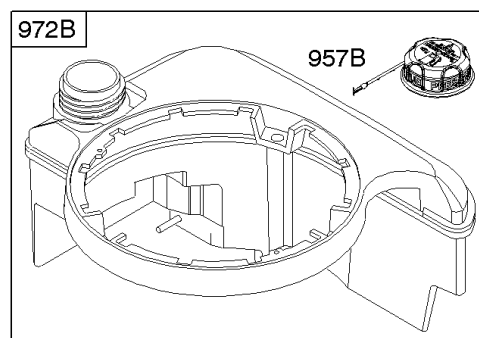
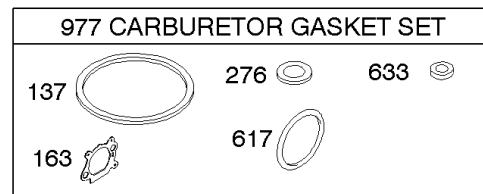
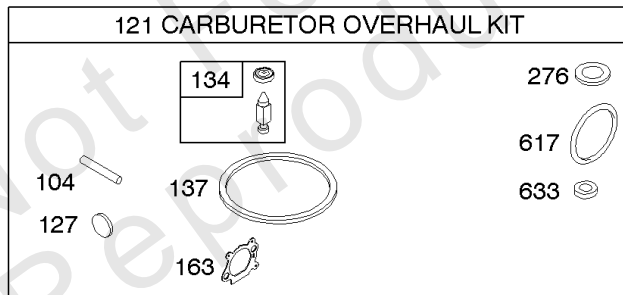
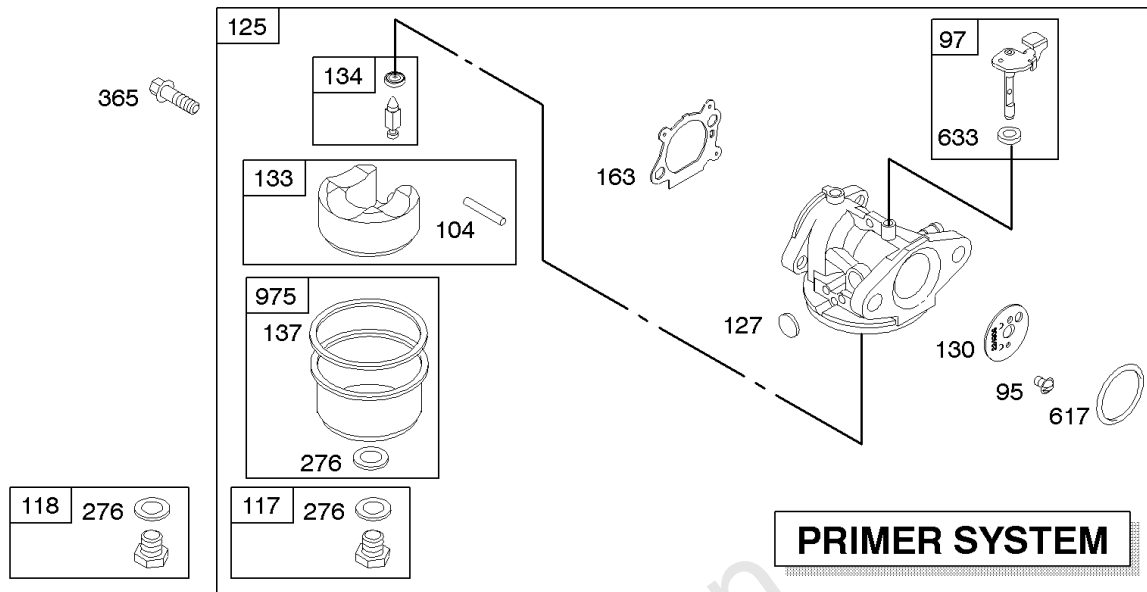
1019 LABEL KIT



Camshaft, Crankshaft, Cylinder, Engine Sump, Kit/Gasket, Lubrication, Piston Group,

REF NO	PART NO	QTY	DESCRIPTION
1095	498528		GASKET SET, Valve -Used Before Code Date 11070100
1095	590507		GASKET SET, Valve -Used After Code Date 11063000
1319	794467		LABEL, Warning
1330	270962		REP MAN-1 CYL L-HD

Not For Reproduction



Carburetor, Fuel Supply

REF NO	PART NO	QTY	DESCRIPTION
95	691636		SCREW -(Throttle Valve)
97	493267		SHAFT-THROTTLE -(Metal)
97	696565		SHAFT, Throttle -(Plastic)
104	691242		PIN, Float Hinge
117	494870		JET, Main -(Standard) -Used After Code Date 02092900
117	498975		JET, Main -(Standard) -Used Before Code Date 02093000
118	496495		JET-MAIN -(High Altitude) -Used Before Code Date 02093000
118	497315		JET, Main -(High Altitude) -Used After Code Date 02092900
121	498260		KIT, Carburetor Overhaul
125	698444		CARBURETOR
127	694468		PLUG, Welch -(Bowl Vent)
130	691203		VALVE, Throttle
130	696564		VALVE, Throttle -(Used With Plastic Throttle Shaft)
133	398187		FLOAT-CARBURETOR
134	398188		KIT-NEEDLE/SEAT
137	693981		GASKET-FLOAT BOWL -(1/16)
137	796610		GASKET, Float Bowl
163	272653S		GASKET, Air Cleaner -(Air Cleaner)
187	791766		LINE, Fuel -(Cut To Required Length)
190	690940		SCREW -(Fuel Tank)
276	271716		WASHER-SEALING
365	691688		SCREW -(Carburetor)
601	791850		CLAMP, Hose
617	270344S		SEAL, O-Ring -(Intake Manifold)
633	691321		SEAL-CHOKE/THR SHAFT -(Throttle Shaft)
670	692294		SPACER, Fuel Tank
957	397974S		CAP, Fuel Tank -(Plastic)
957B	699985		CAP, Fuel Tank -(Plastic)
972B	699374		TANK, Fuel -(Plastic)
975	493640		BOWL, Float
977	498261		SET, Carburetor Gasket
1059	692311		KIT, Screw/Washer

Replacement Engine - US & Canada

REF NO	PART NO	QTY	DESCRIPTION
--------	---------	-----	-------------

Not For Reproduction

