



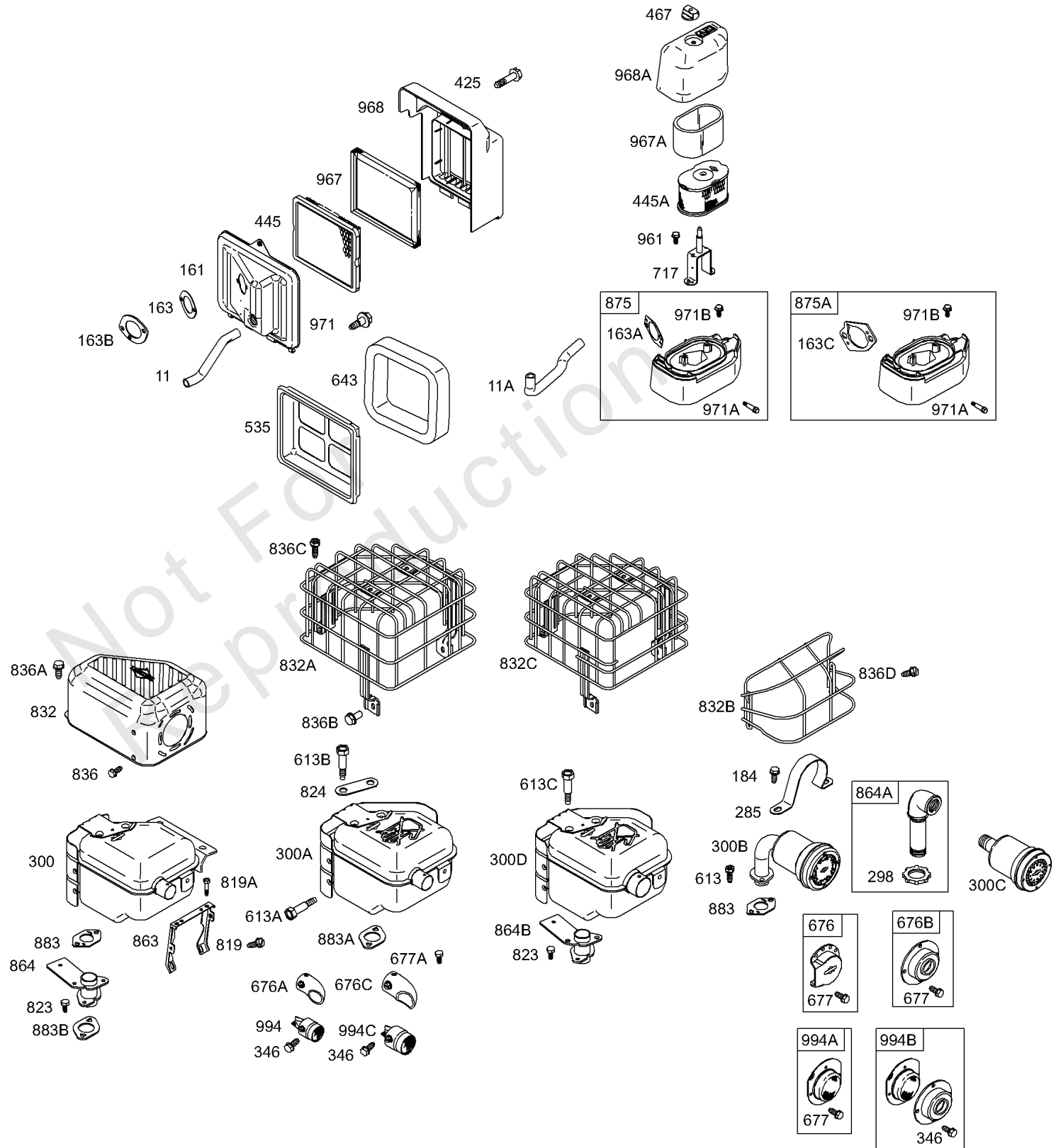
Parts Manual

Mfg. No: 121432-0165-E1

Model Components	Page
Air Cleaner Groups, Muffler Groups.....	4
Blower Housing/Shrouds, Flywheel, Rewind Group.....	8
Cam, Crankshaft, Piston Group.....	12
Carburetor Group, Kits/Gasket - Carburetor.....	14
Controls, Governor Springs, Ignition.....	16
Crankcase Cover/Sumps, Cylinder Group, Kits/Gasket - Engine.....	20
Electric Starter, Gear Reducer Group, Oil Group.....	22
Fuel Tank Group.....	24
Head Group, Kits/Gasket - Valve.....	26
Replacement Engine - US & Canada.....	28

Not For
Reproduction

121400

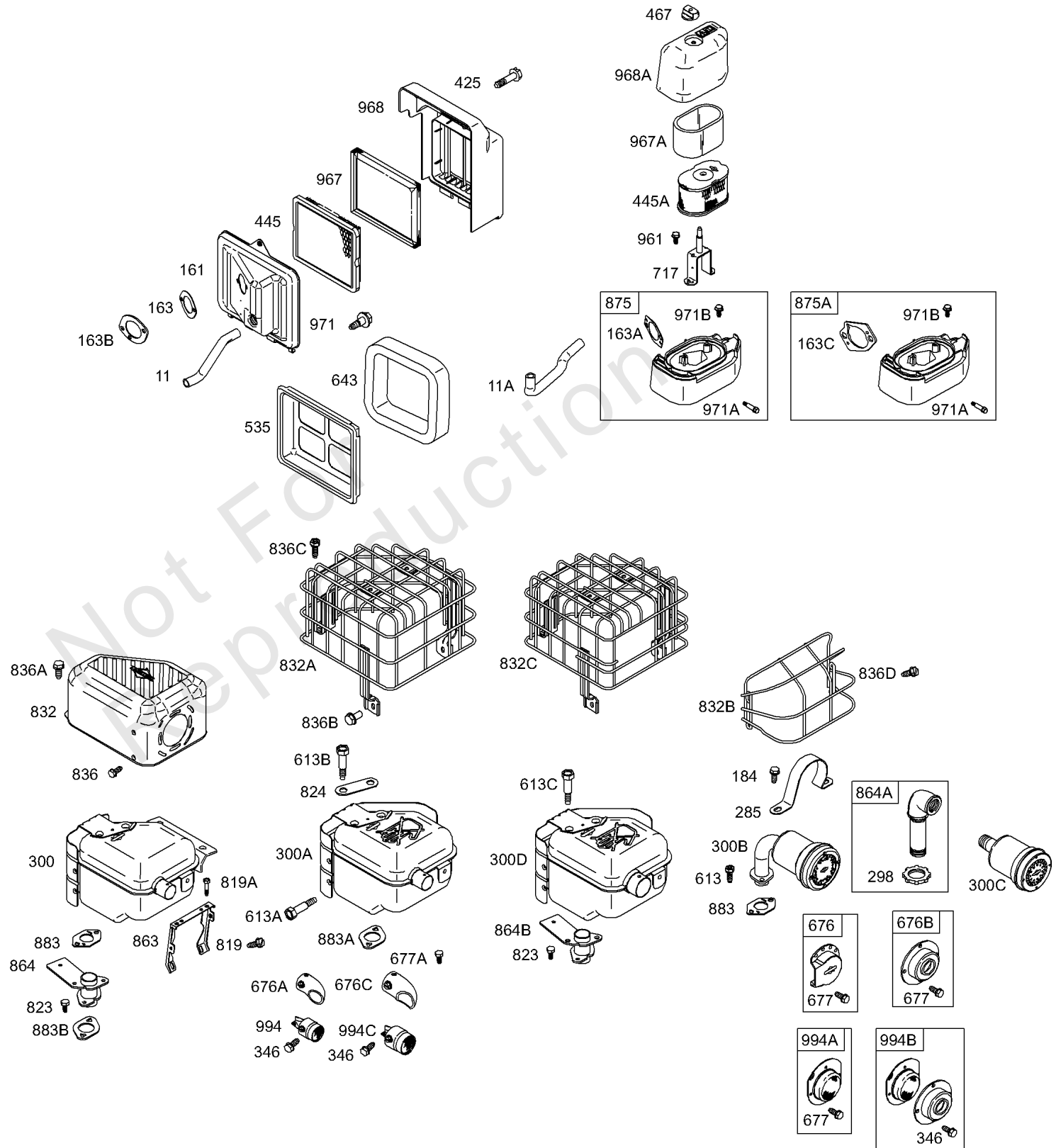


Illustrations cover a range of engines. Parts shown without corresponding text may not be used on your specific engine.
 3388-8 Assemblies include all parts shown in frames. 01/02/2003

Air Cleaner Groups, Muffler Groups

REF NO	PART NO	QTY	DESCRIPTION
11	692600		TUBE, Breather -(Flat Panel Air Cleaner)
161	692579		BASE, Air Cleaner -(Metal) -Used Before Code Date 02093000
161	696063		BASE, Air Cleaner -(Metal) -Used After Code Date 02092900
184	691685		SCREW -(Muffler Strap)
285	692595		STRAP, Muffler
298	690453		LOCKNUT -(Muffler and Elbow)
300A	694429		MUFFLER -(Super Lo Tone) -Used Before Code Date 02031800
300B	693593		MUFFLER -(Lo Tone) -Used After Code Date 98071900
300C	692580		MUFFLER -(Lo Tone) -Used Before Code Date 98072000
300D	697813		MUFFLER -Used After Code Date 02031700
346	690661		SCREW -(Spark Arrestor)
425	692583		SCREW -(Air Cleaner Cover)
445	491588S		FILTER, A/C Cartridge -(Flat Panel)
445A	697029		FILTER-A/C CARTRIDGE
467	691668		KNOB, Air Cleaner Cover
613	691665		SCREW -(Muffler)
613A	694460		SCREW -(Muffler) -Used Before Code Date 02031800
613B	691108		SCREW -(Muffler)
613C	697812		SCREW -(Muffler) -Used After Code Date 02031700
676A	696029		DEFLECTOR, Muffler -(Side Out) -Used Before Code Date 02031800
676C	697816		DEFLECTOR, Muffler -Used After Code Date 02031700
677	690661		SCREW -(Muffler Deflector)
677A	691627		SCREW -(Muffler Deflector)
717	693462		STRAP/STUD, Air Cleaner Mounting
819	691685		SCREW -(Muffler Bracket)
819A	691108		SCREW -(Muffler Bracket)
823	691665		SCREW -(Muffler Adapter)
824	696017		GASKET, Heat Shield
832	693583		GUARD, Muffler -(Lo Tone)

121400

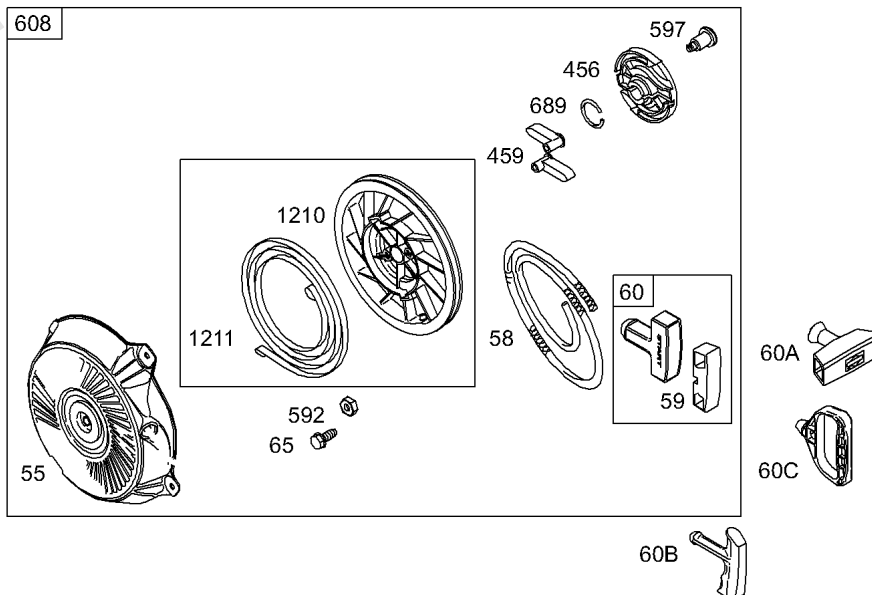
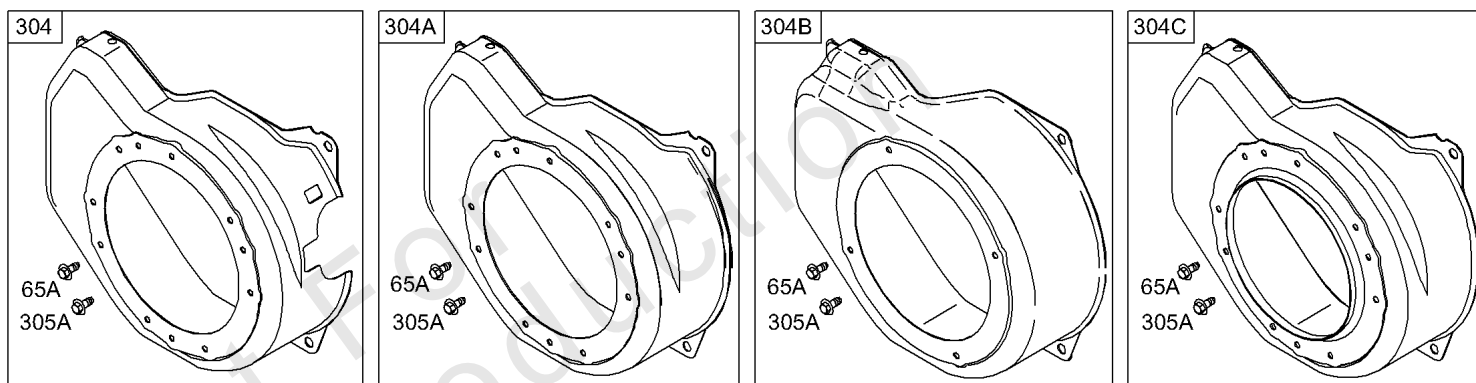
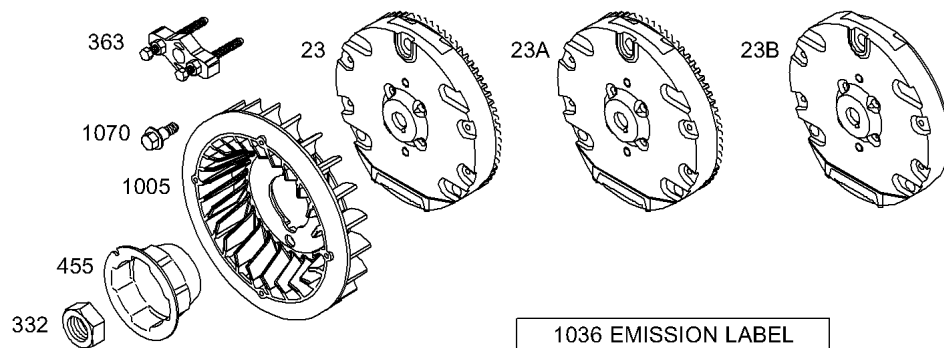


Illustrations cover a range of engines. Parts shown without corresponding text may not be used on your specific engine.
 3388-8 Assemblies include all parts shown in frames. 01/02/2003

Air Cleaner Groups, Muffler Groups

REF NO	PART NO	QTY	DESCRIPTION
832A	694459		MUFFLER -(Super Lo Tone) -Used Before Code Date 02031800
832C	697818		GUARD, Muffler -(Super Lo Tone) -Used After Code Date 02031700
836	690661		SCREW -(Muffler Guard)
836A	693624		SCREW -(Muffler Guard) -Used After Code Date 98071900
836A	692851		NUT -(Muffler Guard) -Used Before Code Date 98072000
836B	691003		SCREW -(Muffler Guard) (Super Lo Tone)
836C	691665		SCREW -(Muffler Guard)
863	692596		BRACKET, Muffler
864	694430		ADAPTER, Muffler -(Super Lo Tone) -Used Before Code Date 02031800
864B	697814		ADAPTER, Muffler -(Lo Tone) -Used After Code Date 02031700
883	691893		GASKET-EXHAUST
883A	697815		GASKET, Exhaust -Used After Code Date 02031700
961	693598		SCREW -(Air Cleaner Bracket)
967	493537S		FILTER, Air Cleaner Foam -(Flat Panel)
967A	273356S		FILTER-A/C FOAM -(High Mount)
968	692584		COVER, Air Cleaner -(Flat Panel)
968A	693460		COVER, Air Cleaner -(High Mount)
971	690370		SCREW -(Air Cleaner Base) (Remote Choke)
971A	690349		SCREW -(Air Cleaner Base) (Remote Choke)
971B	691693		SCREW -(Air Cleaner Base) (Remote Choke)
994B	399541		ARRESTOR, Spark
994C	690813		ARRESTOR, Spark -Used Before Code Date 02031800
994C	697817		ARRESTOR, Spark -Used After Code Date 02031700

121400

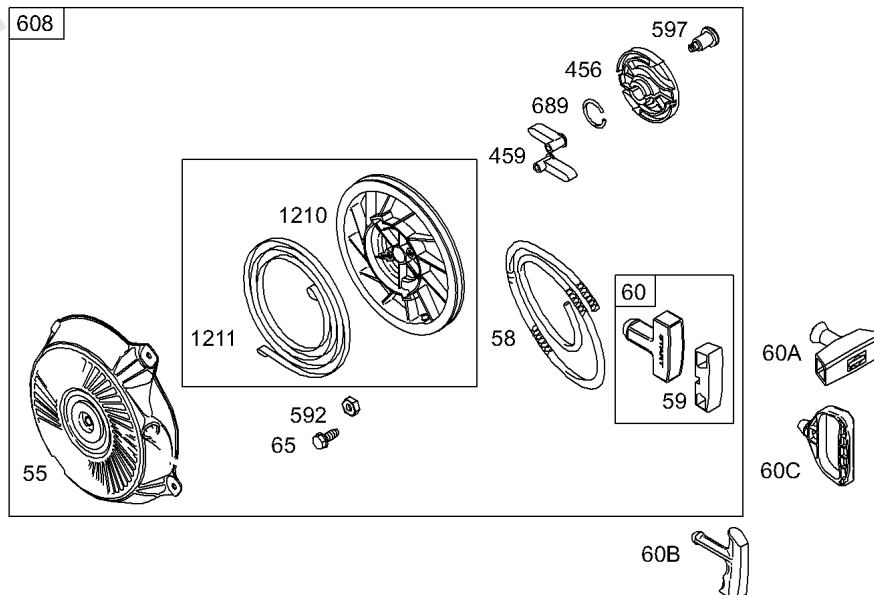
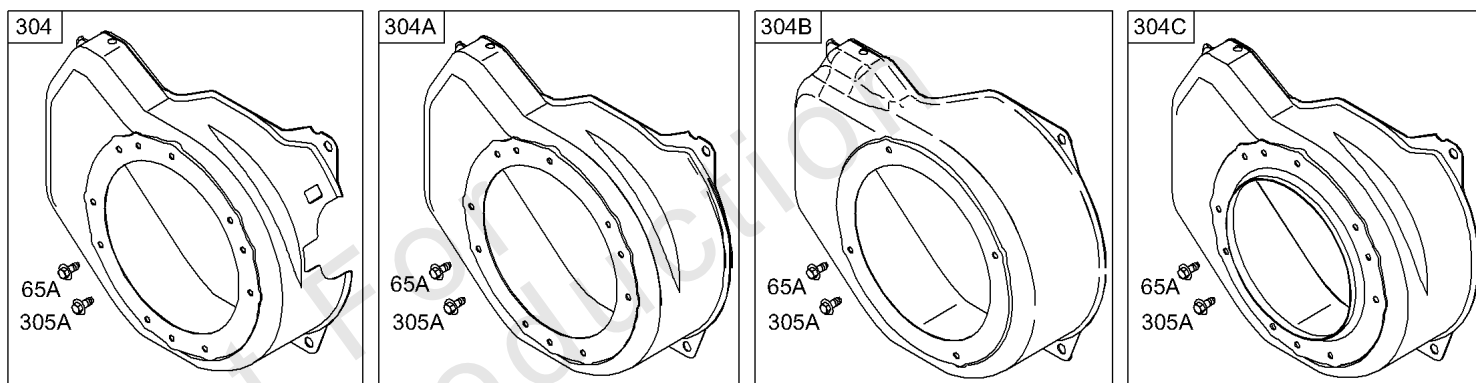
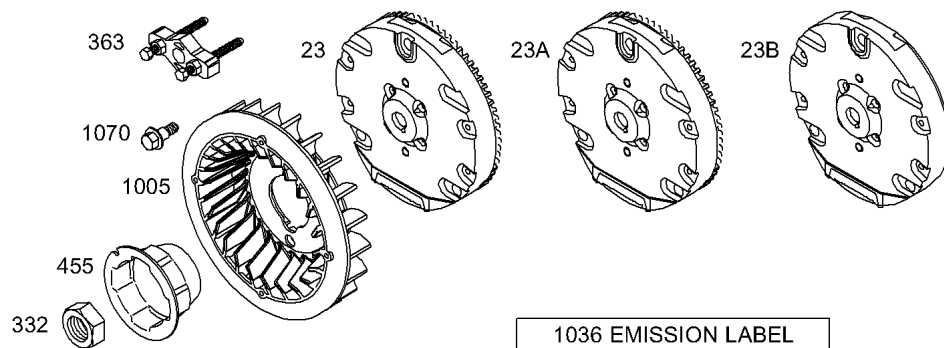


Illustrations cover a range of engines. Parts shown without corresponding text may not be used on your specific engine.
 3388-9 Assemblies include all parts shown in frames. 01/02/2003

Blower Housing/Shrouds, Flywheel, Rewind Group

REF NO	PART NO	QTY	DESCRIPTION
23B	692987		FLYWHEEL -(Rewind Starter)
55	691422		HOUSING, Rewind Starter
58	693389		ROPE, Starter -(Cut To Required Length) -Used After Code Date 98071900
58	280399S		ROPE-STARTER -(Cut To Required Length) -Used Before Code Date 98072000
59	805957		INSERT, Grip
60	393152		GRIP-STARTER ROPE -(2 Piece) -Used Before Code Date 98072000
60	715257		GRIP, Starter Rope -(2 Piece) -Used After Code Date 98071900
60B	281434S		GRIP, Starter Rope
65	690837		SCREW -(Rewind Starter)
65A	692608		SCREW -(Rewind Starter)
304A	697909		HOUSING, Blower -(Black)(Rewind Start) -Used After Code Date 02021400
304A	693621		HOUSING, Blower -Used After Code Date 98071900 -Used Before Code Date 02021500
304B	692589		HOUSING, Blower -Used Before Code Date 98072000
305	690960		SCREW -(Blower Housing)
305A	691140		SCREW -(Blower Housing)
332	690662		NUT -(Flywheel)
363	19069		PULLER, Flywheel
455	692591		CUP, Flywheel
456	692299		PLATE-PAWL FRICTION
459	281505S		PAWL-RATCHET
592	690800		NUT -(Rewind Starter)
597	691696		SCREW -(Pawl Friction Plate)
608	693394		STARTER, Rewind
689	691855		SPRING-FRICTION -(Rewind Starter)
727	694467		COVER, Starter Drive
1005	692592		FAN, Flywheel
1036	696766		LABEL, Emissions -Used After Code Date 01072300 -Used Before Code Date 01100900
1036	695041		LABEL, Emissions -Used After Code Date 99093000 -Used Before Code Date 01072400
1036	694451		LABEL, Emissions -Used After Code Date 98123100 -Used Before Code Date 99100100
1036	693203		LABEL, Emissions -Used Before Code Date 99010100
1036	697004		LABEL, Emissions -Used After Code Date 01100800

121400



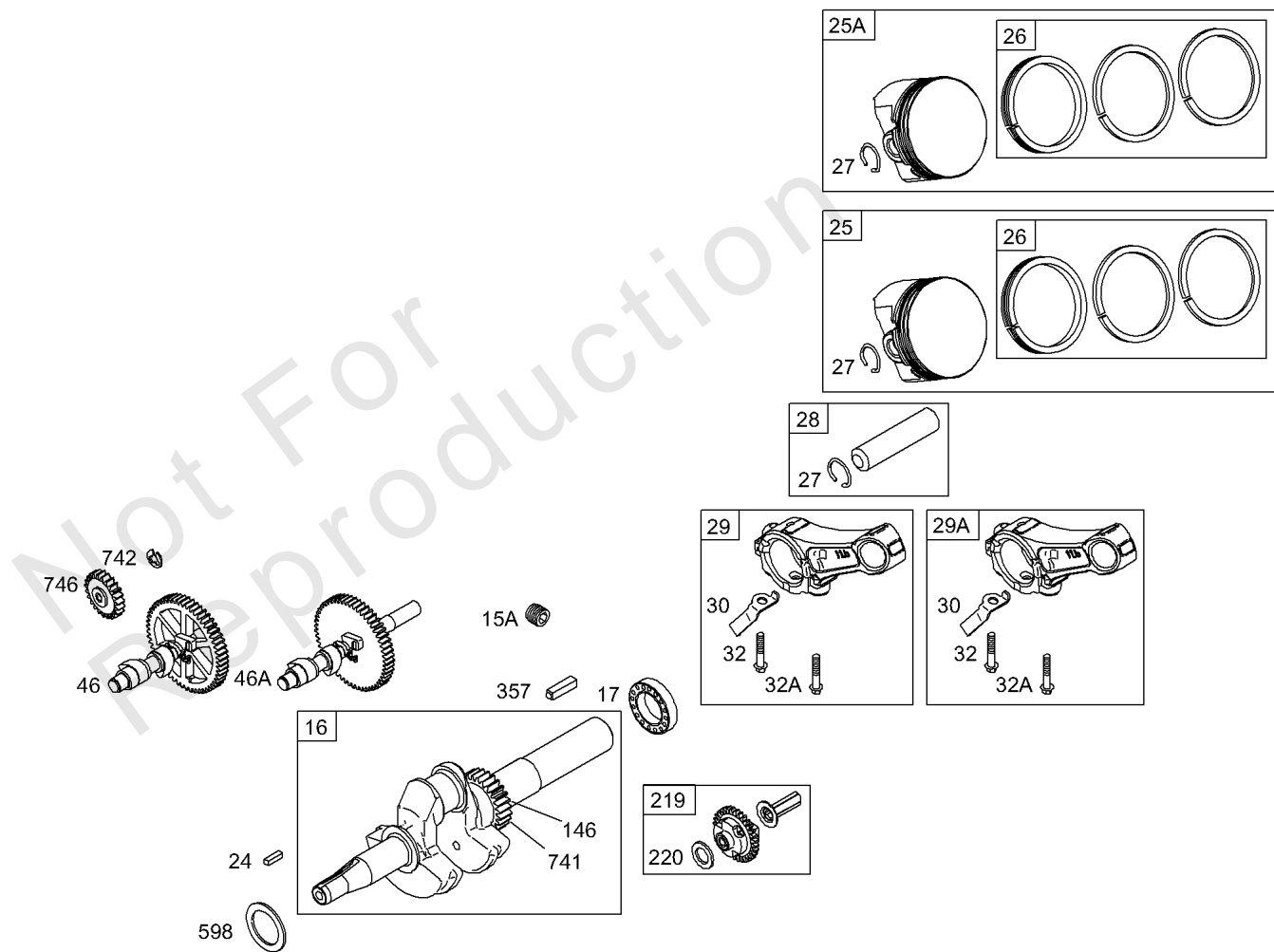
Illustrations cover a range of engines. Parts shown without corresponding text may not be used on your specific engine.
 3388-9 Assemblies include all parts shown in frames. 01/02/2003

Blower Housing/Shrouds, Flywheel, Rewind Group

REF NO	PART NO	QTY	DESCRIPTION
1070	692590		SCREW -(Flywheel Fan)
1210	498144		PULLEY/SPRING ASSY -(Pulley)
1211	498144		PULLEY/SPRING ASSY -(Spring)

Not For Reproduction

121400



Illustrations cover a range of engines. Parts shown without corresponding text may not be used on your specific engine.

3388-3

Assemblies include all parts shown in frames.

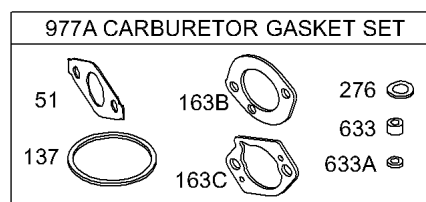
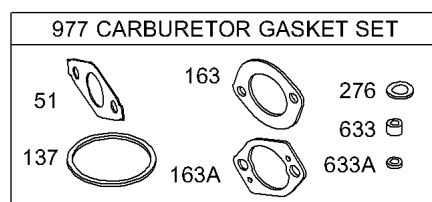
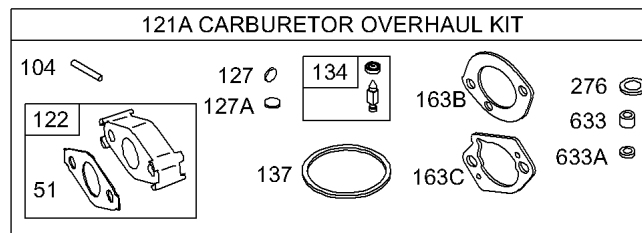
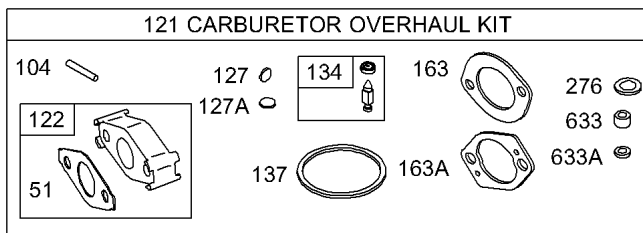
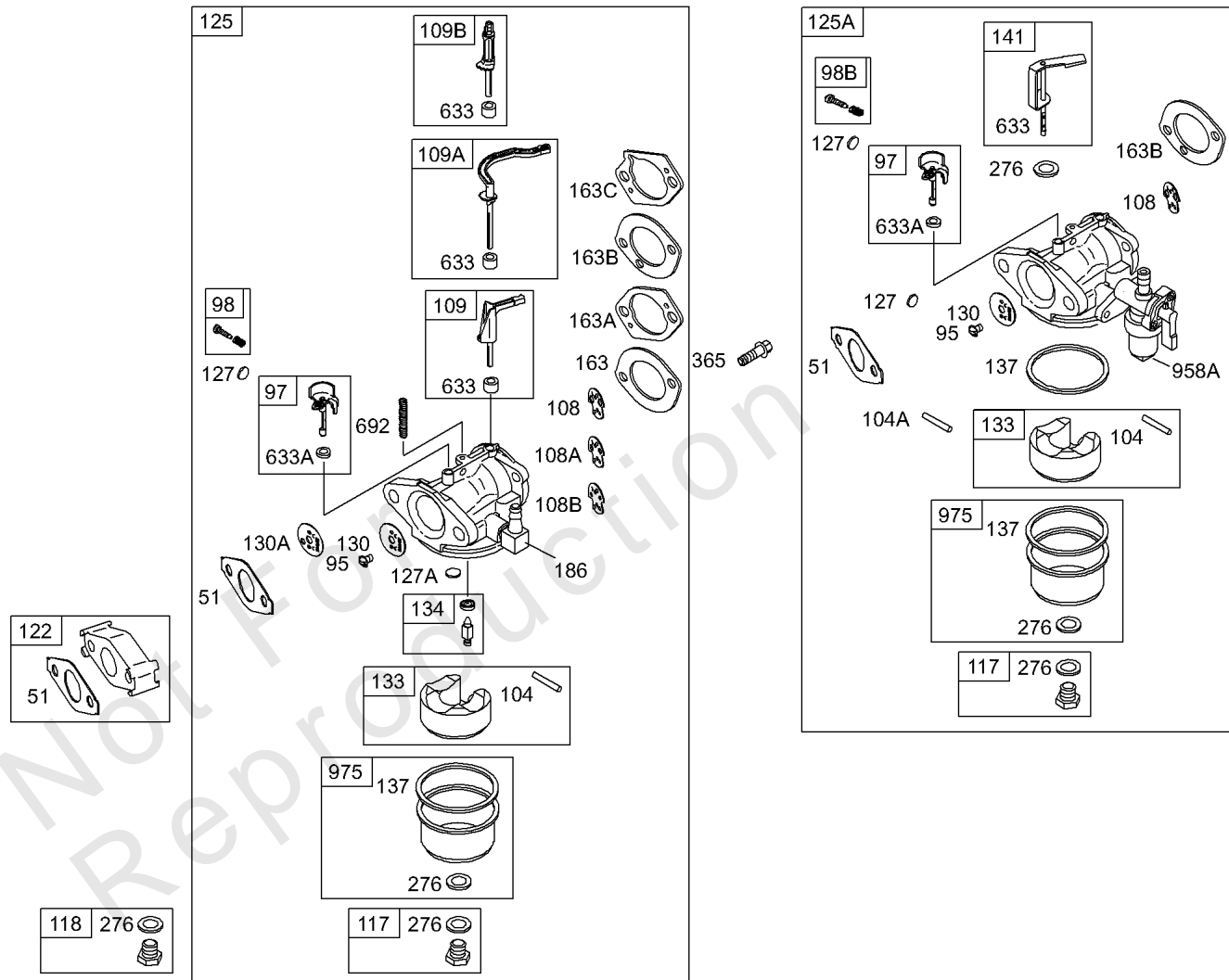
01/02/2003

Cam, Crankshaft, Piston Group

REF NO	PART NO	QTY	DESCRIPTION
15A	691682		PLUG-OIL DRAIN -(Flush)
16	693403		CRANKSHAFT -Used After Code Date 98071900
16	692561		CRANKSHAFT -Used Before Code Date 98072000
24	222698S		KEY, Flywheel
25	499627		PISTON ASSEMBLY -(Standard)
25	692788		PISTON ASSEMBLY -(.010 Oversize)
25	692789		PISTON ASSEMBLY -(.020 Oversize)
25	692790		PISTON ASSEMBLY -(.030 Oversize)
26	692785		SET, Ring -(.010 Oversize)
26	692786		SET, Ring -(.020 Oversize)
26	692787		SET, Ring -(.030 Oversize)
26	697367		SET, Ring -(Standard)(Chrome)
26	499631		SET, Ring -(Standard)
27	691866		LOCK-PISTON PIN
28	499423		PIN-PISTON/STD -(Standard)
29	690124		ROD, Connecting
30	692562		DIPPER, Connecting Rod
32	691664		SCREW -(Connecting Rod)
32A	695759		SCREW -(Connecting Rod)
46	692563		CAMSHAFT -Used Before Code Date 98061500
46	693404		CAMSHAFT -Used After Code Date 98061400
146	690979		KEY, Woodruff
219	492752		GEAR, Governor -Used Before Code Date 98072700
219	693578		GEAR, Governor -Used After Code Date 98072600
220	691724		WASHER -(Governor Gear)
741	692565		GEAR, Timing
742	692564		RETAINER, E Ring
746	692566		GEAR, Idler

121400

**NOTE: This Illustration Represents A Number Of Different Carburetors.
Parts Shown May Not Be Included In All Kits**

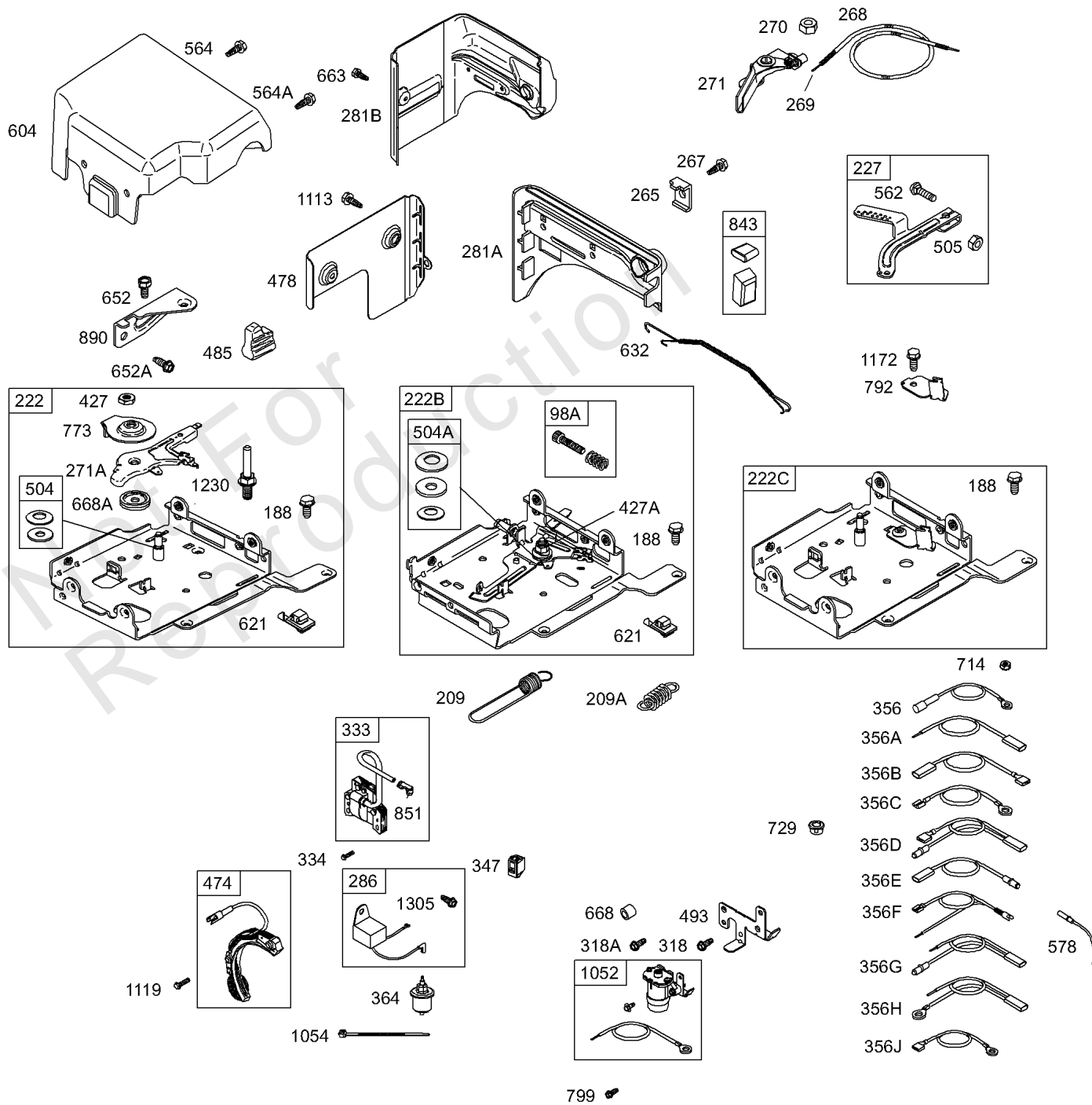


Illustrations cover a range of engines. Parts shown without corresponding text may not be used on your specific engine.
3388-5 Assemblies include all parts shown in frames. 01/02/2003

Carburetor Group, Kits/Gasket - Carburetor

REF NO	PART NO	QTY	DESCRIPTION
95	691636		SCREW -(Throttle Valve)
97	690024		SHAFT, Throttle
98	398185		KIT-IDLE SPEED -(Idle Speed) (Lmt 26, 27, 28, 31)
104	691242		PIN, Float Hinge
108A	691182		VALVE-CHOKE -(.223 Diameter Holes, Stamped 223471)
108B	692567		VALVE-CHOKE -(.156 Diameter Holes, Stamped 224449)
109	690023		SHAFT, Choke -(Straight Handle)
117	691428		JET, Main -(Standard) -Used Before Code Date 02093000
117	690048		JET, Main -(Standard) -Used After Code Date 02092900
118	690048		JET, Main -(High Altitude) -Used Before Code Date 02093000
121	695157		KIT, Carburetor Overhaul
121A	696998		KIT, Carburetor Overhaul -(High Vent)
122	690043		SPACER, Carburetor -Used Before Code Date 98072000
122	693749		SPACER, Carburetor -Used After Code Date 98071900
125	690046		CARBURETOR -Used Before Code Date 02093000
125	698474		CARBURETOR -Used After Code Date 02092900
127	691739		PLUG-WELCH -(5/16 Diameter)
127A	694468		PLUG, Welch -(Bowl Vent) (3/8 Diameter)
130	691181		VALVE-THROTTLE
133	398187		FLOAT-CARBURETOR
134	398188		KIT-NEEDLE/SEAT
137	693981		GASKET-FLOAT BOWL
163	272948S		GASKET, Air Cleaner -(Flat Panel) -Used Before Code Date 02093000
163B	696024		GASKET, Air Cleaner -(High Vent) -Used After Code Date 02092900
186	692317		CONNECTOR-HOSE
276	271716		WASHER-SEALING
365	692568		SCREW -(Carburetor)
633	693867		SEAL, Choke/Throttle Shaft
633A	691321		SEAL-CHOKE/THR SHAFT -(Throttle Shaft)
692	690572		SPRING, Detent -(Choke)
975	493640		BOWL, Float
977	695156		SET, Carburetor Gasket
977A	697001		SET, Carburetor Gasket -(High Vent)

121400

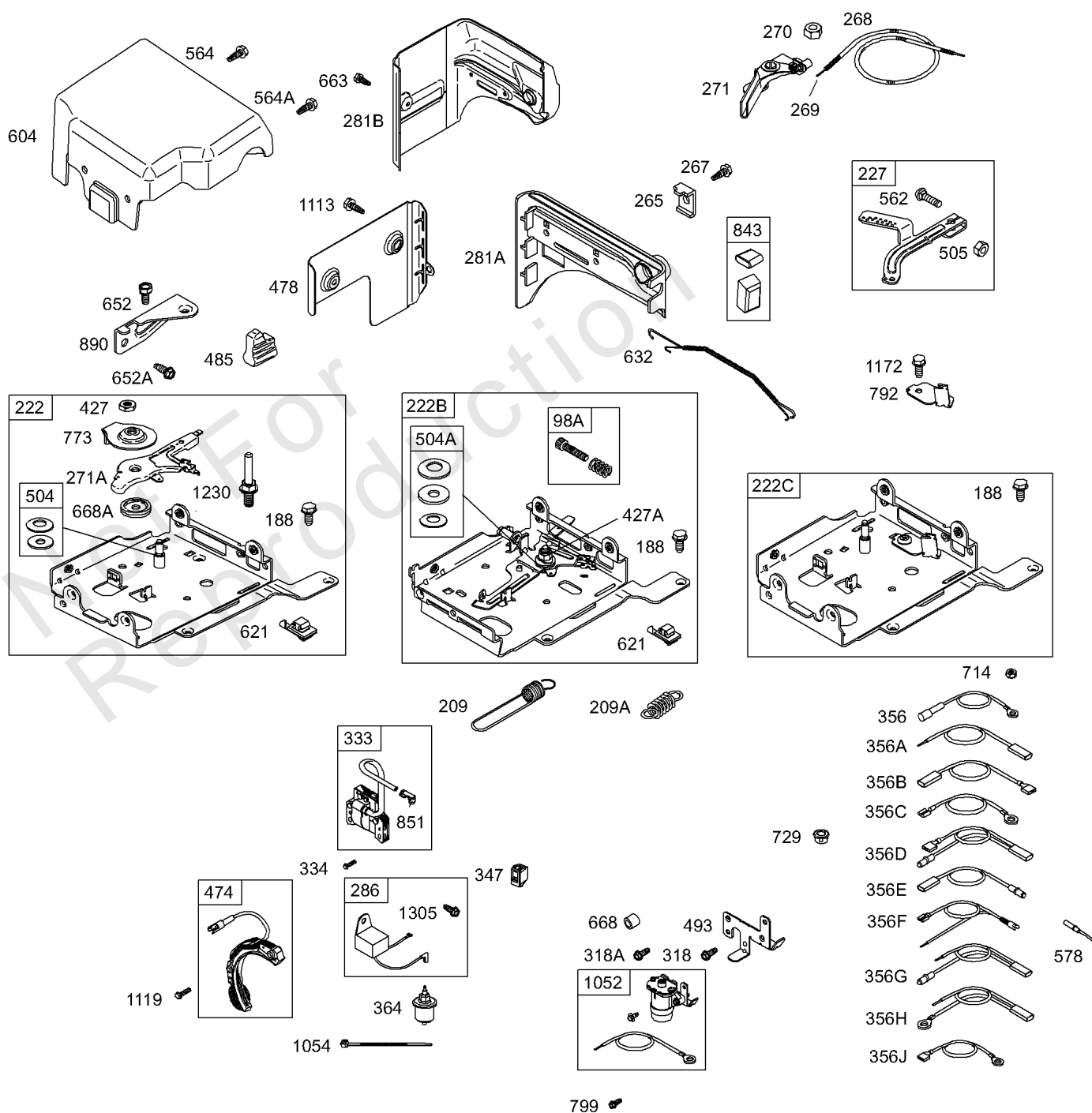


Illustrations cover a range of engines. Parts shown without corresponding text may not be used on your specific engine.
 3388-7 Assemblies include all parts shown in frames. 01/02/2003

Controls, Governor Springs, Ignition

REF NO	PART NO	QTY	DESCRIPTION
98A	493280		KIT-IDLE SPEED -(Control Bracket)
209	692571		SPRING, Governor -(Silver)
209A	691278		SPRING, Governor
222B	694263		BRACKET, Control -Used Before Code Date 99070500
227	692573		LEVER, Governor Control
265	691024		CLAMP, Casing
267	692577		SCREW -(Casing Clamp)
268	691025		CASING, Control Wire -(72" Long)(Cut To Required Length)
269	691026		WIRE, Control -(78" Long)(Cut To Required Length)
270	691027		NUT -(Control Wire Casing)
271	691028		LEVER, Control
281A	693407		PANEL, Control -Used Before Code Date 99070500
286	698316		MODULE, Oil Sensor -(Number 0484) -Used Before Code Date 03010600
286	698317		MODULE, Oil Sensor -Used Before Code Date 03010600
286	698611		MODULE, Oil Sensor -Used After Code Date 03010500
318A	690370		SCREW -(Mounting Bracket)
333	695711		ARMATURE, Magneto
334	691061		SCREW -(Magneto Armature)
347	696213		SWITCH, Rocker -(3 Tines, ON/OFF Marking, 3 Position, Non-Lighted)
347	692599		SWITCH, Rocker -(2 Tines, ON/OFF Marking, 2 Position, Non-Lighted)
356	693650		WIRE, Stop -(1 Wire, 6-1/4)(Ring Terminal, And Push-On Insulated Pin Socket)
356A	692390		WIRE, Stop -(1 Wire, 17)(Snap Connect Insulated Female Blade Terminal, AndBare Wire End)
356C	695630		WIRE, Stop -(1 Wire, 6-1/2" Long)(Push-On Female Blade Terminal, And Ring Terminal)
356D	693651		WIRE, Stop -(2 Wires, 14 And 10)(Snap Connect Insulated Female BladeTerminal, Insulated Push-On Female Blade Terminal, And Snap ConnectInsulated Female Blade Terminal)
356E	694372		WIRE, Stop
356G	695814		WIRE, Stop -(2 Wires, 15-3/4 And 10)(Snap Connect Insulated Female BladeTerminal, Snap Connect Insulated Pin Socket, And Bare Wire End)
356H	398808		WIRE, Stop -(Cut To Required Length)
356B	692602		WIRE-STOP -(1 Wire, 14)(Snap Connect Insulated Female Blade Terminal, AndInsulated Push-On Female Blade Terminal)
364	695693		TERMINAL, Oil Plug
427A	692575		NUT -(Control Bracket) -Used Before Code Date 99070500

121400



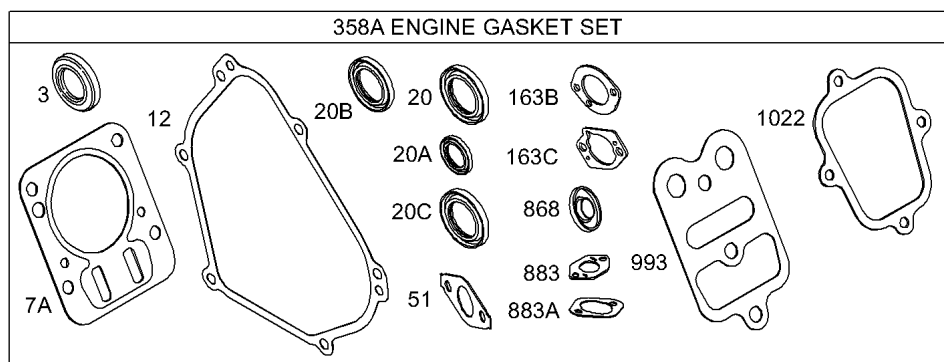
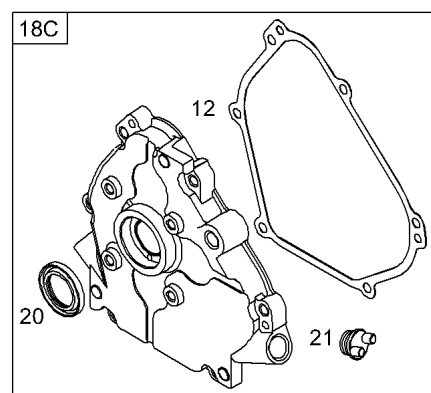
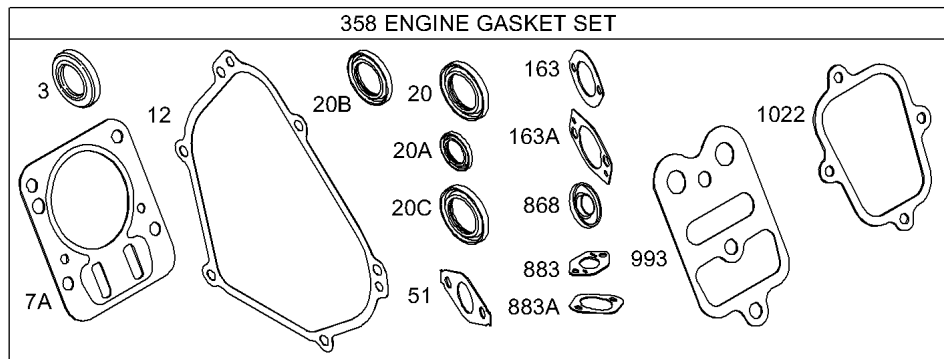
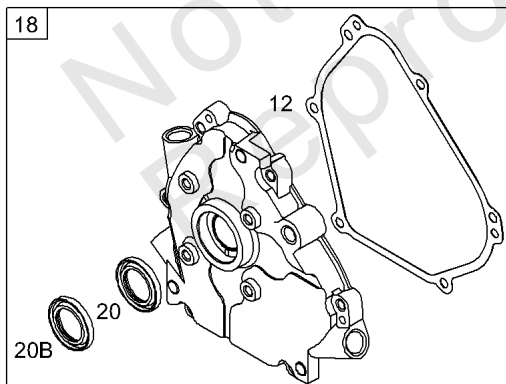
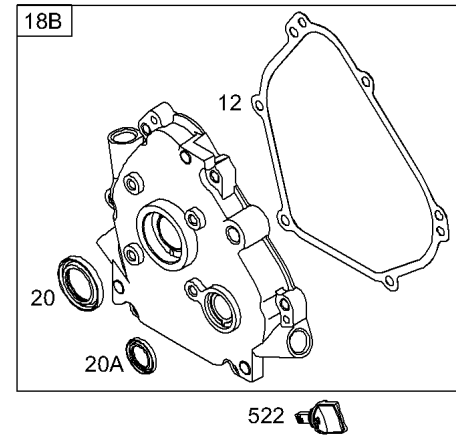
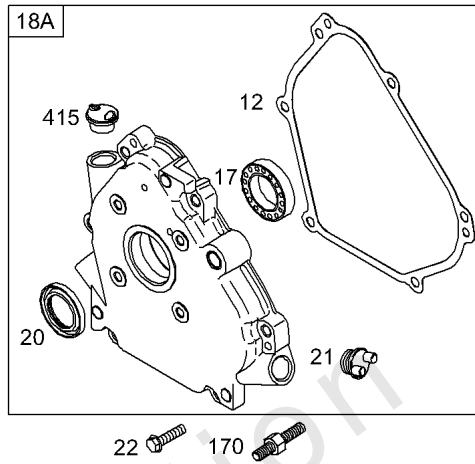
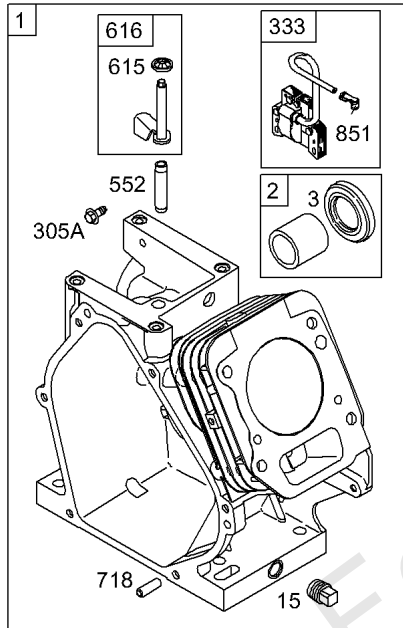
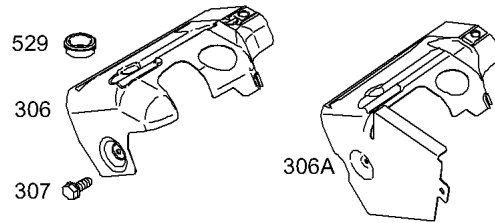
Illustrations cover a range of engines. Parts shown without corresponding text may not be used on your specific engine.
3388-7 Assemblies include all parts shown in frames. **01/02/2003**

Controls, Governor Springs, Ignition

REF NO	PART NO	QTY	DESCRIPTION
474	694457		ALTERNATOR
478	693709		PANEL -Used Before Code Date 99070500
493	693599		BRACKET, Mounting
504A	495659		SET, Friction Washer -Used Before Code Date 99070500
505	691251		NUT -(Governor Control Lever)
562	94852		BOLT -(Governor Lever)
564	692577		SCREW -(Control Cover)
564A	692198		SCREW -(Control Cover)
632	693408		SPRING/LINK, Mechanical Governor -Used After Code Date 98071900
632	692653		SPRING/LINK, Mechanical Governor -Used Before Code Date 98072000
652	691108		SCREW -(Support Bracket)
652A	695629		SCREW -(Support Bracket)
668	693604		SPACER -(Oil Sensor)
714	693649		NUT -(Wire Stop)
792	694259		BRACKET, Fixed Speed -Used After Code Date 99070400
799	693609		SCREW -(Oil Sensor)
843	694061		SLEEVE, Lever
851	493880S		TERMINAL-SPARK PLUG
890	694933		BRACKET, Support
1052	698674		SENSOR, Oil
1054	280275		TIE, Cable
1113	692577		SCREW -(Panel)
1119	691183		SCREW -(Alternator)
1172	691676		SCREW -(Fixed Speed Bracket)
1305	691140		SCREW -(Oil Sensor Module)

121400

- 1019 LABEL KIT
- 1019A LABEL KIT
- 1058 OWNER'S MANUAL

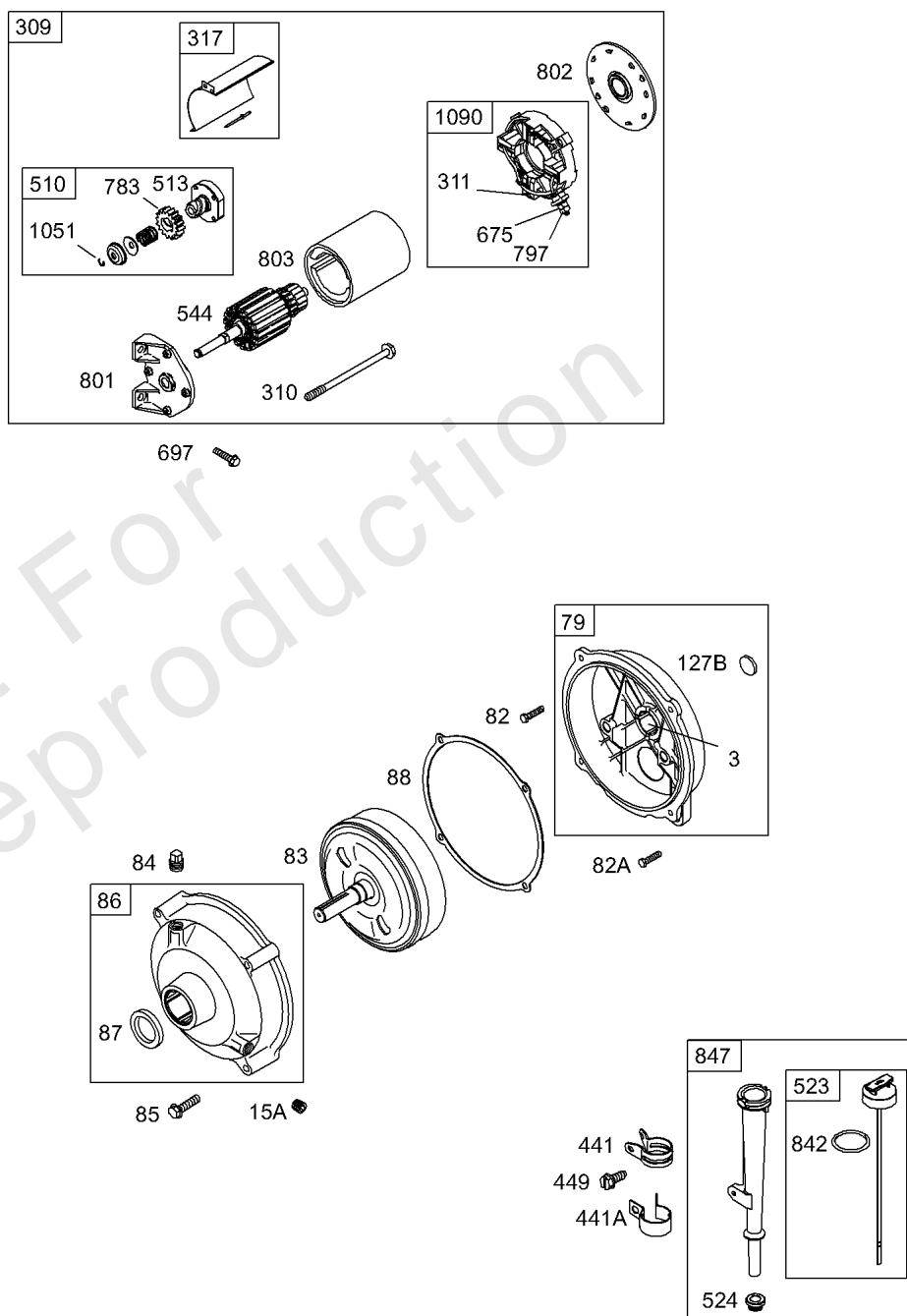


Illustrations cover a range of engines. Parts shown without corresponding text may not be used on your specific engine.
 3388-2 Assemblies include all parts shown in frames. 01/02/2003

Crankcase Cover/Sumps, Cylinder Group, Kits/Gasket - Engine

REF NO	PART NO	QTY	DESCRIPTION
1	690045		CYLINDER ASSEMBLY -Used Before Code Date 02011500
1	698225		CYLINDER ASSEMBLY -Used After Code Date 02011400 -Used Before Code Date 02101700
1	698483		CYLINDER ASSEMBLY -Used After Code Date 02101600
2	399269		KIT, Bushing/Seal -(Magneto Side)
3	299819S		SEAL, Oil -(Magneto Side)
12	692549		GASKET, Crankcase
15	691686		PLUG-OIL DRAIN -(Square Head)
17	692517		BEARING, Ball -(PTO Side)
18A	693605		COVER, Crankcase
20	692550		SEAL-OIL -(PTO Side)
20B	694171		SEAL, Oil -(PTO Side)
21	281658S		CAP-OIL FILL
22	692551		SCREW -(Crankcase Cover/Sump)
306	693610		SHIELD, Cylinder -Used After Code Date 98071900
306A	692552		SHIELD-CYLINDER -Used Before Code Date 98072000
307	690345		SCREW -(Cylinder Shield)
358	695155		GASKET SET, Engine
358A	697000		GASKET SET, Engine -(High Vent)
415	693463		PLUG -(Crankcase Cover/Sump)
529	692553		GROMMET -Used Before Code Date 98040700
552	692346		BUSHING, Governor Crank
615	692576		RETAINER, Governor Shaft
616	692547		CRANK, Governor
718	690959		PIN, Locating
1019A	694852		KIT, Label -Used After Code Date 97080200
1019A	690035		KIT, Label -Used Before Code Date 97082800
1058	275092		MANUAL, Operator's

121400

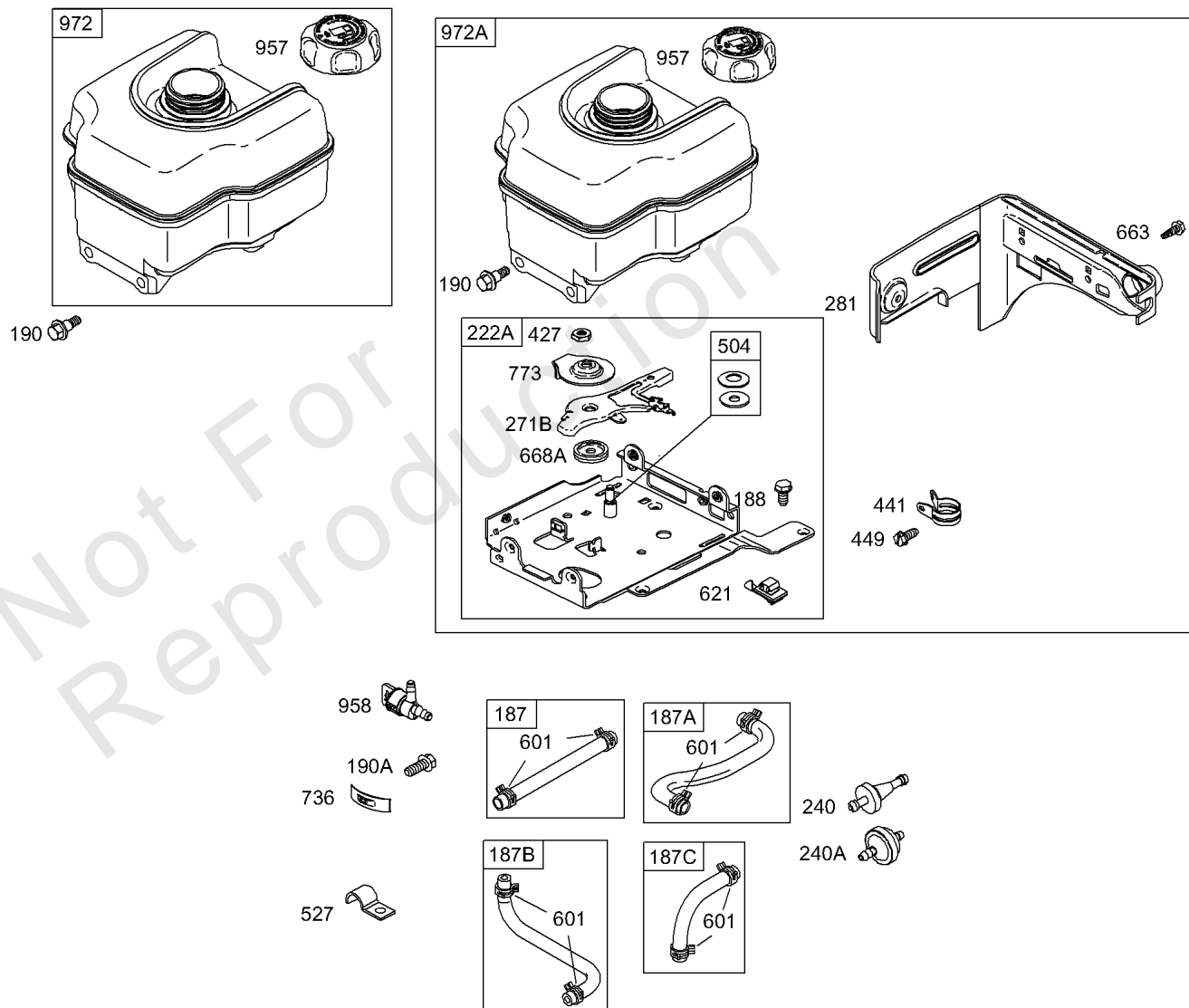


Illustrations cover a range of engines. Parts shown without corresponding text may not be used on your specific engine.
 3388-10 Assemblies include all parts shown in frames. 01/02/2003

Electric Starter, Gear Reducer Group, Oil Group

REF NO	PART NO	QTY	DESCRIPTION
79	694511		CASE, Gear Reduction
82	690369		SCREW -(Gear Reduction Case)
82A	691122		SCREW -(Gear Reduction Case)
83	690374		SHAFT, Auxiliary Drive
84	691121		PLUG-BREATHER
85	692551		SCREW -(Gear Cover to Gear Reduction Case)
86	690608		COVER, Gear
87	691582		SEAL, Gear Reduction
88	691600		GASKET, Gear Cover/Housing
127B	691585		PLUG-WELCH -(7/8 Diameter)
309	694504		MOTOR, Starter
310	690323		SCREW -(Starter Motor)
311	497608		SET, Brush
441A	693616		BRACKET, Oil Fill -Used Before Code Date 99070500
510	499308		DRIVE-STARTER
513	692024		CLUTCH, Drive
523	693618		DIPSTICK
524	281370S		SEAL-DIPSTICK TUBE -(Dipstick Tube)
544	692966		ARMATURE, Starter
675	691261		WASHER -(Brush Retainer)
697	690372		SCREW -(Drive Cap)
783	692353		GEAR-PINION
797	691029		NUT -(Brush Retainer)
801	694482		CAP-DRIVE
802	691286		CAP, End
803	693757		HOUSING, Starter -(3 5/8 Housing)
842	691031		SEAL, O-Ring -(Dipstick Tube)
847	693617		DIPSTICK/TUBE ASSEMBLY
1051	691265		RING, Retaining
1090	691293		RETAINER, Brush

121400

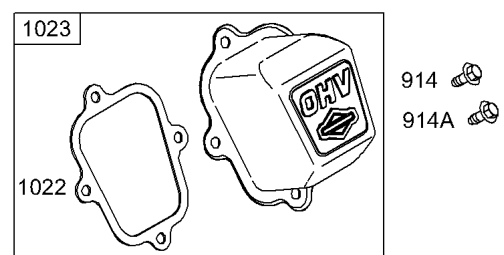
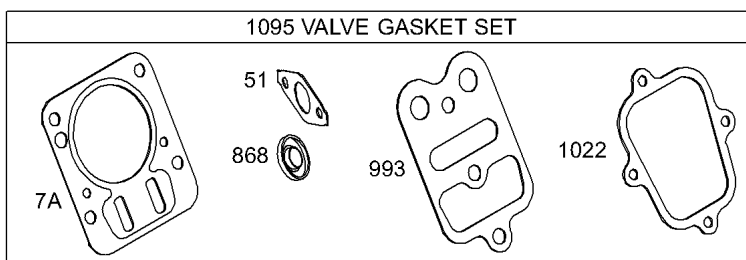
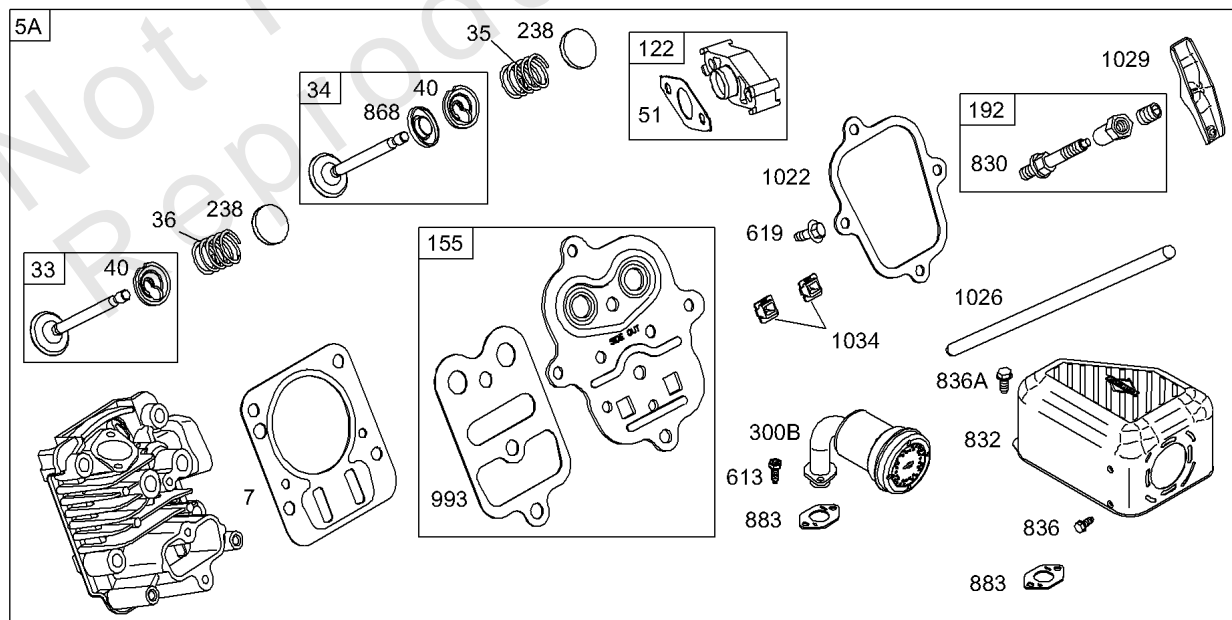
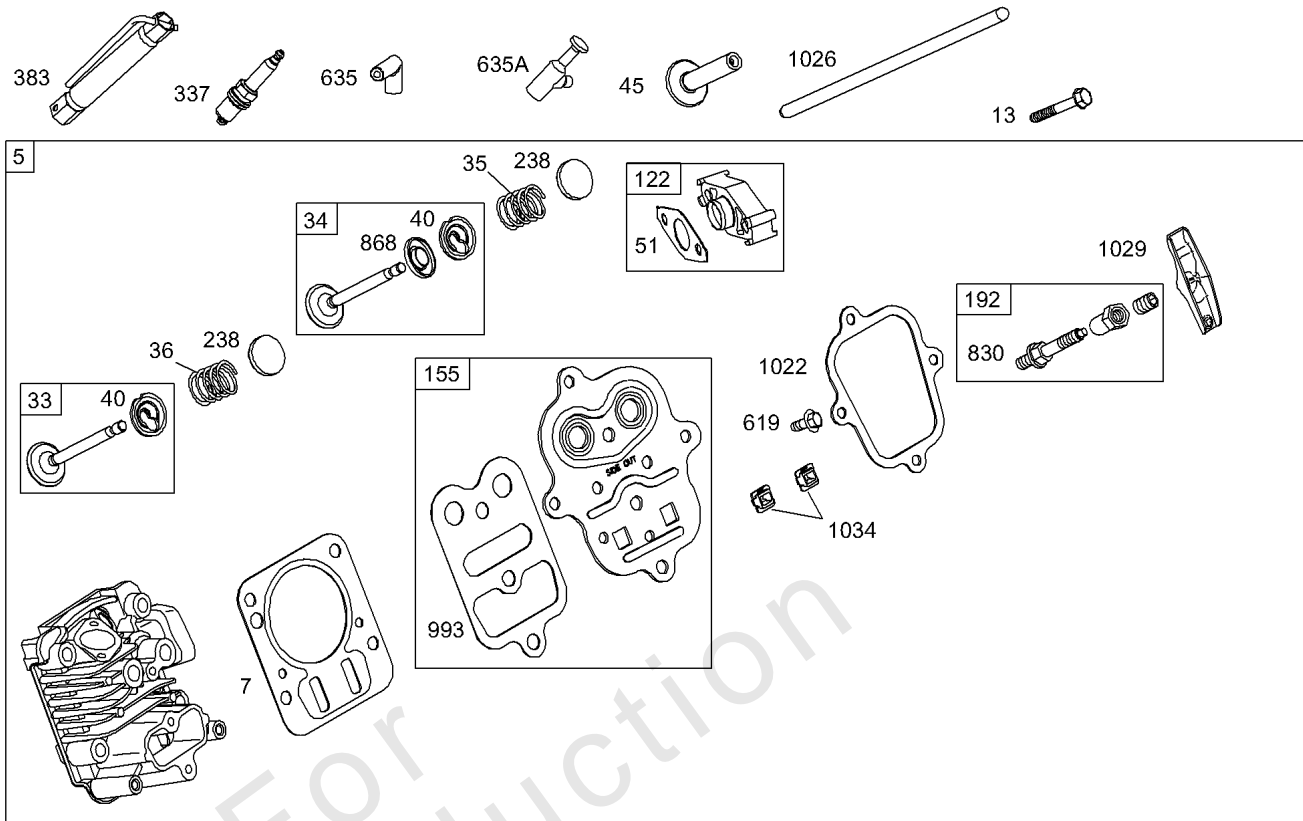


Illustrations cover a range of engines. Parts shown without corresponding text may not be used on your specific engine.
 3388-6 Assemblies include all parts shown in frames. 01/02/2003

Fuel Tank Group

REF NO	PART NO	QTY	DESCRIPTION
187	691050		LINE, Fuel -(Cut To Required Length)
187A	692601		LINE, Fuel -(Molded)
187B	693401		LINE, Fuel -(Molded)
187C	694486		LINE, Fuel -(Molded)
188	690877		SCREW -(Control Bracket)
190	692127		SCREW -(Fuel Tank)
190A	690877		SCREW -(Fuel Tank) (Nut Clip) -Used After Code Date 98071900
222A	694253		BRACKET, Control -Used After Code Date 99070400
240	694485		FILTER, Fuel
240A	298090S		FILTER, Fuel
271B	694256		LEVER, Control -Used After Code Date 99070400
281	694252		PANEL, Control -Used After Code Date 99070400
427	694255		NUT -(Control Bracket) -Used After Code Date 99070400
441	694262		BRACKET, Oil Fill -Used After Code Date 99070400
449	691693		SCREW -(Oil Fill Bracket)
504	694254		SET, Friction Washer -Used After Code Date 99070400
601	95162S		CLAMP, Hose
621	692310		SWITCH, Stop
663	694593		SCREW -(Control Panel)
668A	694257		SPACER -(Control Bracket)
736	693560		NUT -Used After Code Date 98071900
773	694258		RETAINER -(Control Bracket)
957	493988S		CAP, Fuel Tank -(Plastic) -Used Before Code Date 99070500
957	694261		CAP, Fuel Tank -(Plastic) -Used After Code Date 99070400
958	692586		VALVE, Fuel Shut Off -(Plastic)
972	694260		TANK, Fuel -(Plastic) -Used After Code Date 99070400
972A	694263		BRACKET, Control -(Plastic) -Used Before Code Date 99070500

121400



Illustrations cover a range of engines. Parts shown without corresponding text may not be used on your specific engine.
 3388-4 Assemblies include all parts shown in frames. 01/02/2003

Head Group, Kits/Gasket - Valve

REF NO	PART NO	QTY	DESCRIPTION
5	699486		HEAD, Cylinder -Used After Code Date 98071900
5A	698733		HEAD, Cylinder -Used Before Code Date 98072000
7	698210		GASKET, Cylinder Head
13	691137		SCREW -(Cylinder Head)
33	499642		VALVE, Exhaust
34	499641		VALVE, Intake
35	691304		SPRING, Valve -(Intake)
36	691304		SPRING, Valve -(Exhaust)
40	692194		RETAINER, Valve
45	690977		TAPPET, Valve
51	692555		GASKET, Intake -(2 Required)
122	690043		SPACER, Carburetor -Used Before Code Date 98072000
122	693749		SPACER, Carburetor -Used After Code Date 98071900
155	698214		PLATE, Cylinder Head
192	694543		ADJUSTER-ROCKER ARM
238	691300		CAP, Valve
337	691043		PLUG, Spark
383	19374S		WRENCH, Spark Plug
619	691108		SCREW -(Cylinder Head Plate)
635	692076		BOOT, Spark Plug
635A	692927		BOOT, Spark Plug
830	694544		STUD-ROCKER ARM -(Rocker Arm)
868	692044		SEAL, Valve
914	692198		SCREW -(Rocker Cover) -Used Before Code Date 02031100
914	697551		SCREW -(Rocker Cover) -Used After Code Date 02031000
914A	692557		SCREW -(Rocker Cover)
993	694088		GASKET-CYL HD PLATE
1022	691890		GASKET-ROCKER COVER
1023	499924		COVER, Rocker
1026	693517		ROD-PUSH -Used After Code Date 98061400
1026	692560		ROD, Push -Used Before Code Date 98061500
1029	691230		ARM, Rocker
1034	691343		GUIDE-PUSH ROD
1095	695289		GASKET SET, Valve

Replacement Engine - US & Canada

REF NO	PART NO	QTY	DESCRIPTION
	1220320536	1	Replacement Engine
	699579	1	Replacement Short Block
-----			Top No-Load Speed: 3600 -Trim: ALL
-----			Service Note: For all Go-Karts use only a Model 136200 series engine as a replacement, regardless of the original Model.
-----			Service Note: Replacement engine listed is not available in the State of California. Repair with Short Block and individual parts.
-----			Service Note: Transfer Oil Sensor to the replacement engine.

Not For Reproduction

