

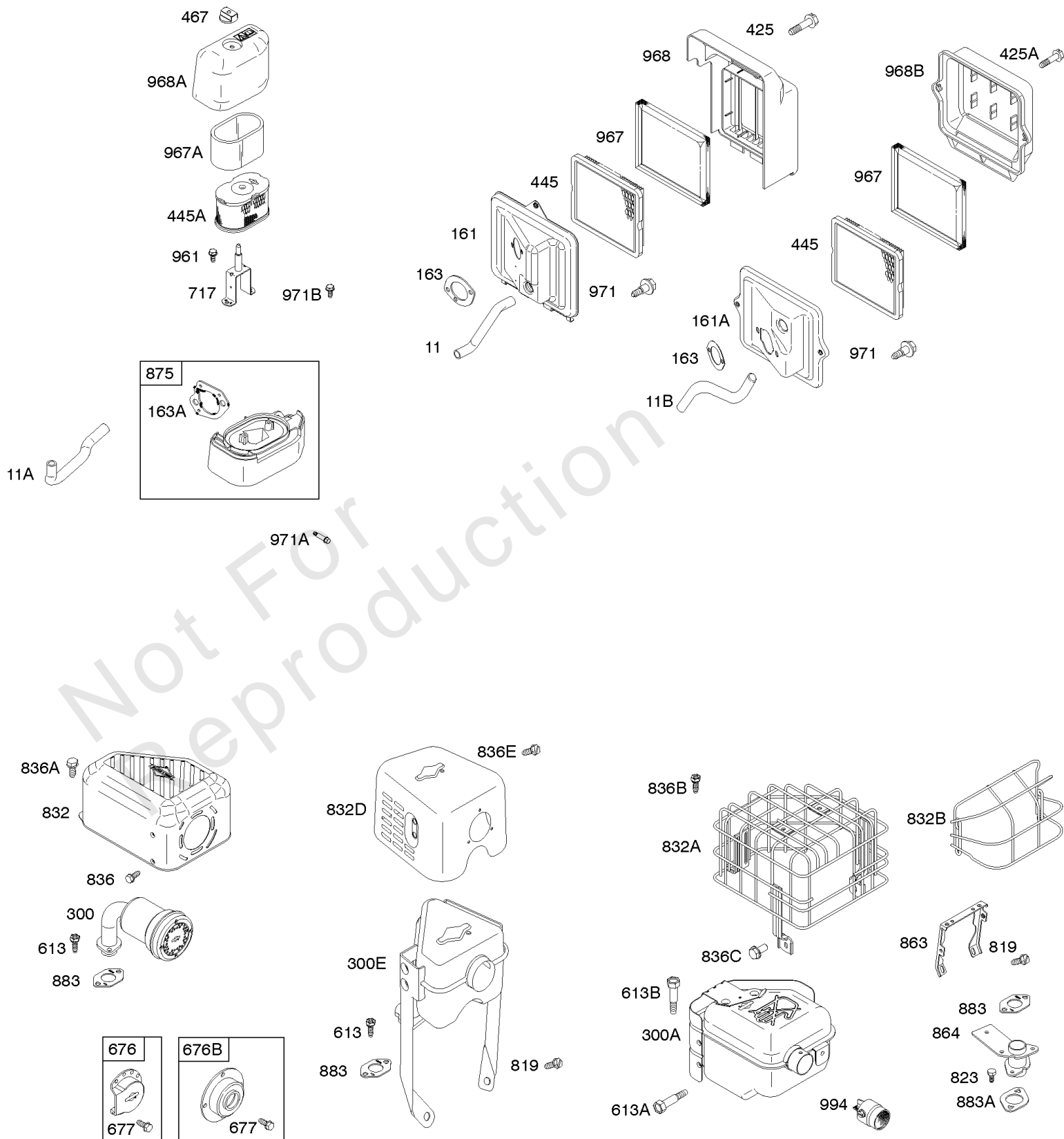


Parts Manual

Mfg. No: 120212-0117-E1

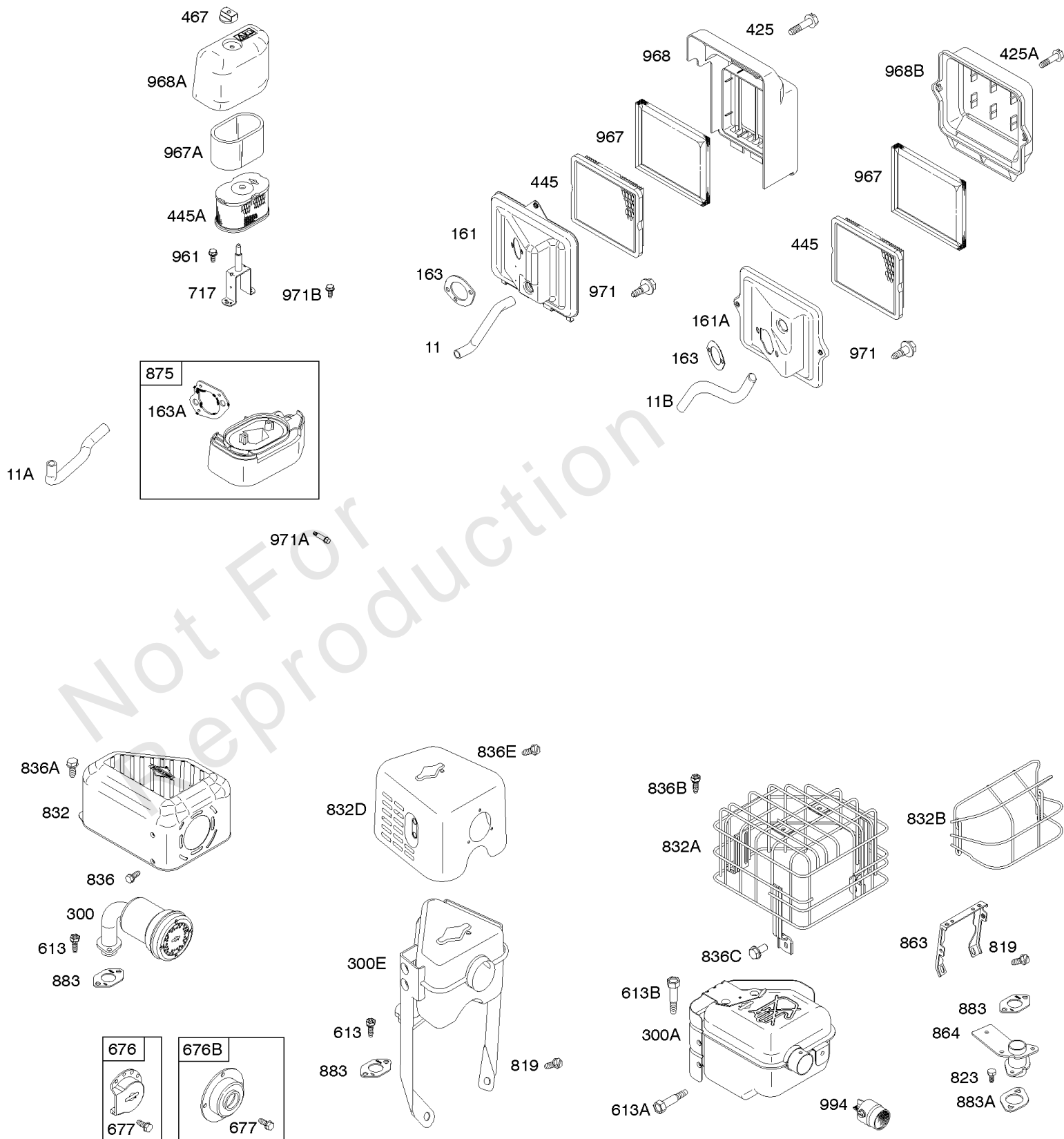
Model Components	Page
Air Cleaner, Exhaust System.....	4
Blower Housing, Flywheel, Gear Reduction, Rewind Starter.....	8
Camshaft, Crankcase Cover, Crankshaft, Cylinder, Lubrication, Piston Group.....	14
Carburetor, Fuel Supply.....	18
Controls, Governor Spring, Ignition.....	22
Cylinder Head.....	26
Replacement Engine - US & Canada.....	30

Not For
Reproduction



Air Cleaner, Exhaust System

REF NO	PART NO	QTY	DESCRIPTION
11	692600		TUBE, Breather -(Flat Panel Air Cleaner)
11A	693647		TUBE, Breather -(High Mount Air Cleaner)
11B	790632		TUBE, Breather -(Ultra Low Mount Air Cleaner)
161	699207		BASE-AIR CLEANER -(Metal) (Flat Panel Air Cleaner)
161A	790631		BASE, Air Cleaner -(Metal) (Ultra Low Mount Air Cleaner)
163	696024		GASKET, Air Cleaner -(Flat Panel Air Cleaner)
163A	792870		GASKET, Air Cleaner -(High Mount)
300	693593		MUFFLER
300A	699231		MUFFLER
300E	791595		MUFFLER
425	699208		SCREW -(Air Cleaner Cover)
425A	699492		SCREW -(Air Cleaner Cover)
445	491588S		FILTER, A/C Cartridge
445A	697029		FILTER-A/C CARTRIDGE -(High Mount)
467	691668		KNOB, Air Cleaner Cover
613	699209		SCREW -(Muffler)
613A	699481		SCREW -(Muffler)
613B	697812		SCREW -(Muffler) (SAE)
613B	799081		SCREW -(Muffler) (Metric)
676	393757		DEFLECTOR, Muffler -(Side Outlet)
676B	395700		DEFLECTOR, Muffler -(Direct Outlet)
677	690661		SCREW -(Muffler Deflector) (SAE)
677	699203		SCREW -(Muffler Deflector) (Metric)
717	693462		STRAP/STUD, Air Cleaner Mounting
819	699233		SCREW -(Muffler Bracket)
823	699209		SCREW -(Muffler Adapter)
832	693583		GUARD, Muffler
832A	697818		GUARD, Muffler
832B	696516		MUFFLER
832D	791600		GUARD, Muffler -Used Before Code Date 08062500
832D	796240		GUARD, Muffler -Used After Code Date 08062400
836	699203		SCREW -(Muffler Guard)
836A	699632		SCREW -(Muffler Guard)
836B	699209		SCREW -(Muffler Guard)

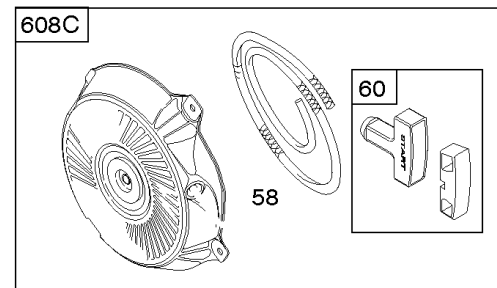
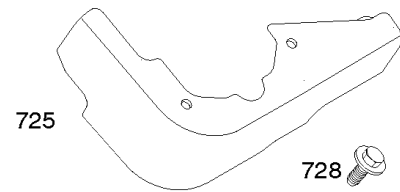
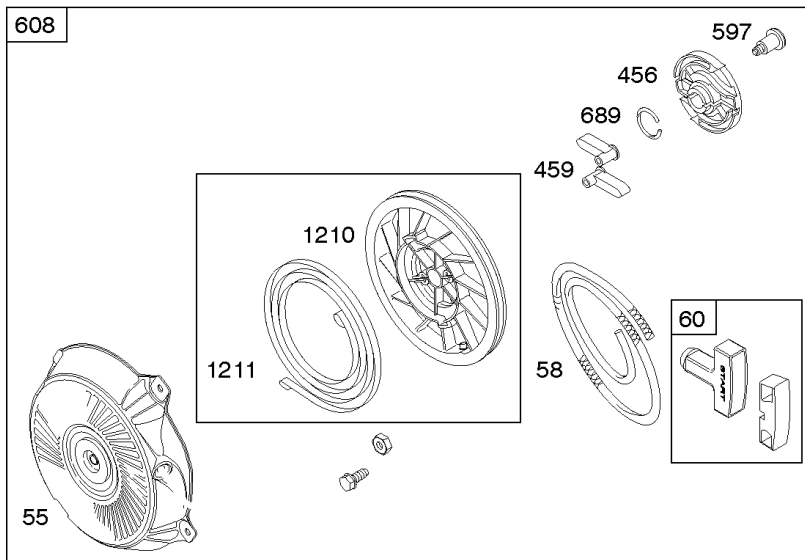
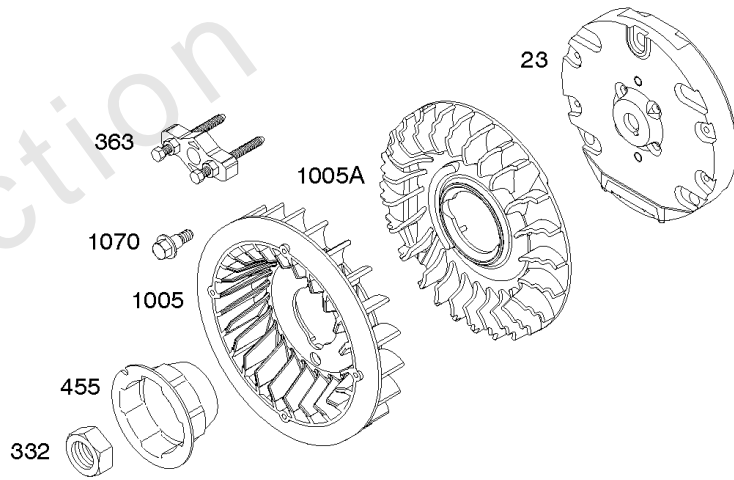
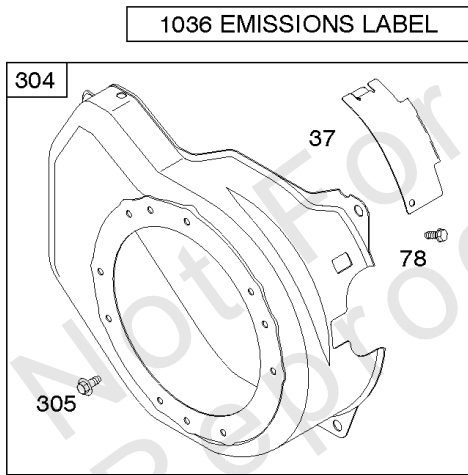
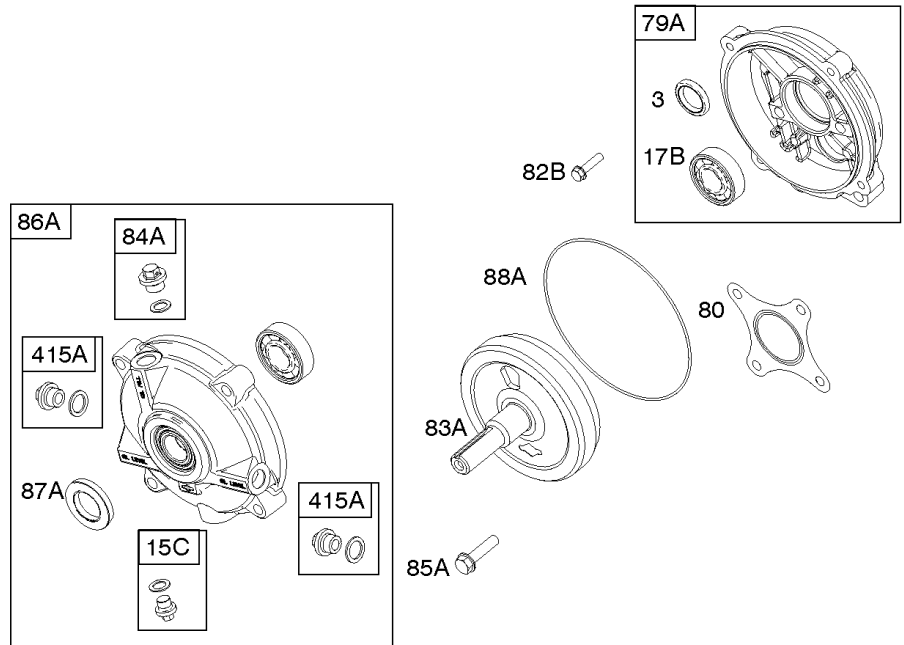
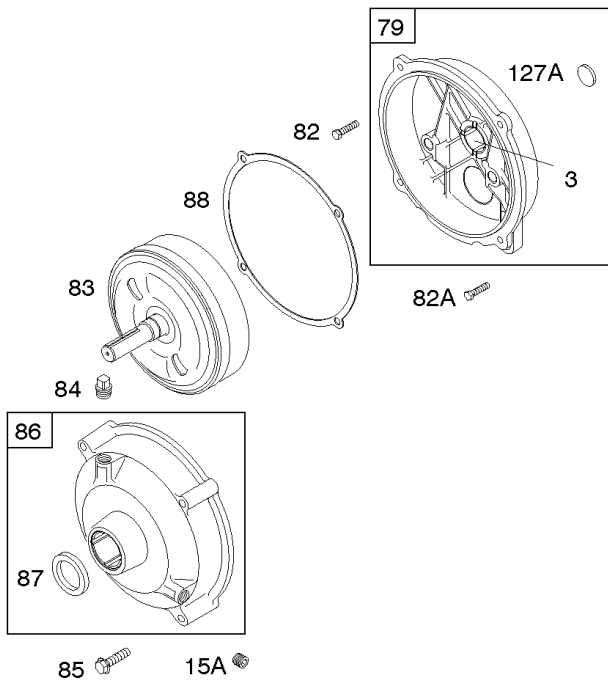


Air Cleaner, Exhaust System

REF NO	PART NO	QTY	DESCRIPTION
836C	699234		SCREW -(Muffler Guard)
836E	699755		SCREW -(Muffler Guard)
863	699229		BRACKET, Muffler
864	699232		ADAPTER, Muffler
875	591306		BASE, Air Cleaner -(Plastic) (High Mount) -Used After Code Date 11123100
875	697030		BASE, Air Cleaner -(Plastic) (High Mount) -Used Before Code Date 12010100
883	691893		GASKET-EXHAUST -(Between Adapter And Cylinder)
883A	692237		GASKET-EXHAUST
961	698304		SCREW -(Air Cleaner Bracket)
967	493537S		FILTER, Air Cleaner Foam -(Flat Panel Air Cleaner)
967A	273356S		FILTER-A/C FOAM -(High Mount)
968	692584		COVER, Air Cleaner -(Flat Panel)
968A	693460		COVER, Air Cleaner -(High Mount)
968B	791082		COVER, Air Cleaner -(Ultra Low Mount Air Cleaner)
971	690370		SCREW -(Air Cleaner Base to Carburetor) (SAE)
971	798649		SCREW -(Air Cleaner Base to Carburetor) (Metric)
971A	690349		SCREW -(Air Cleaner Base to Carburetor) -Used Before Code Date 12010100
971A	591307		SCREW -(Air Cleaner Base to Carburetor) -Used After Code Date 11123100
971B	699629		SCREW -(Air Cleaner Base to Carburetor)
994	790153		ARRESTOR, Spark

Blower Housing, Flywheel, Gear Reduction, Rewind Starter

Mfg. No: 120212-0117-E1

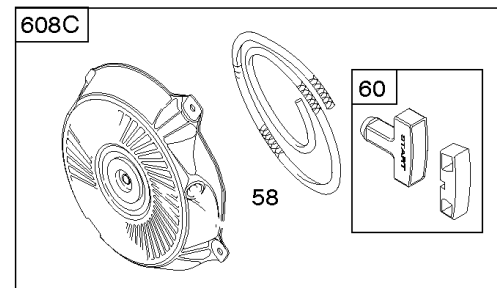
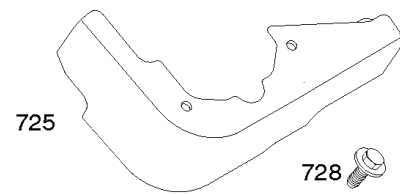
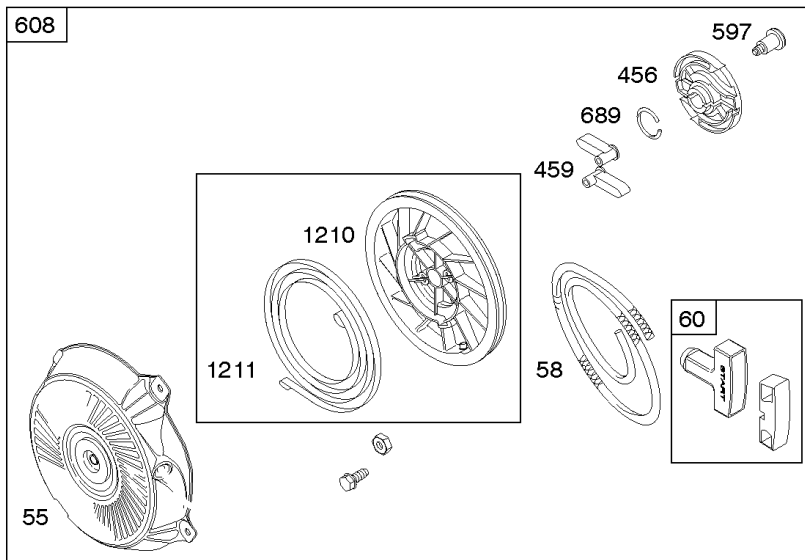
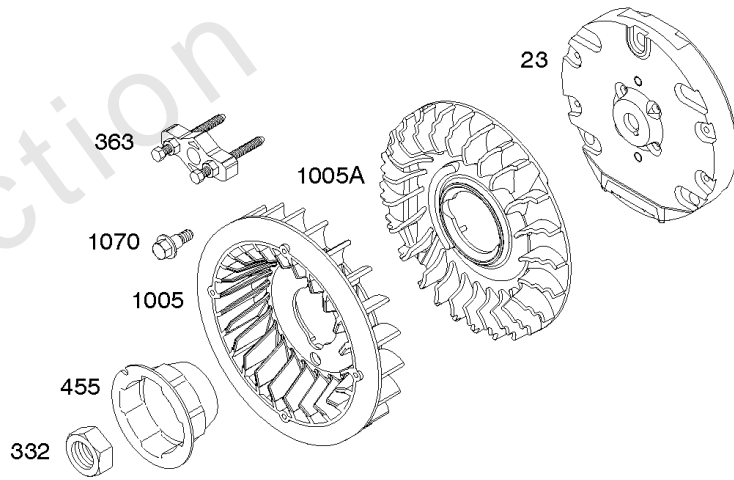
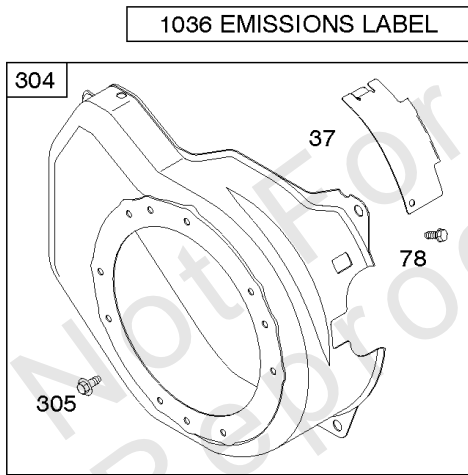
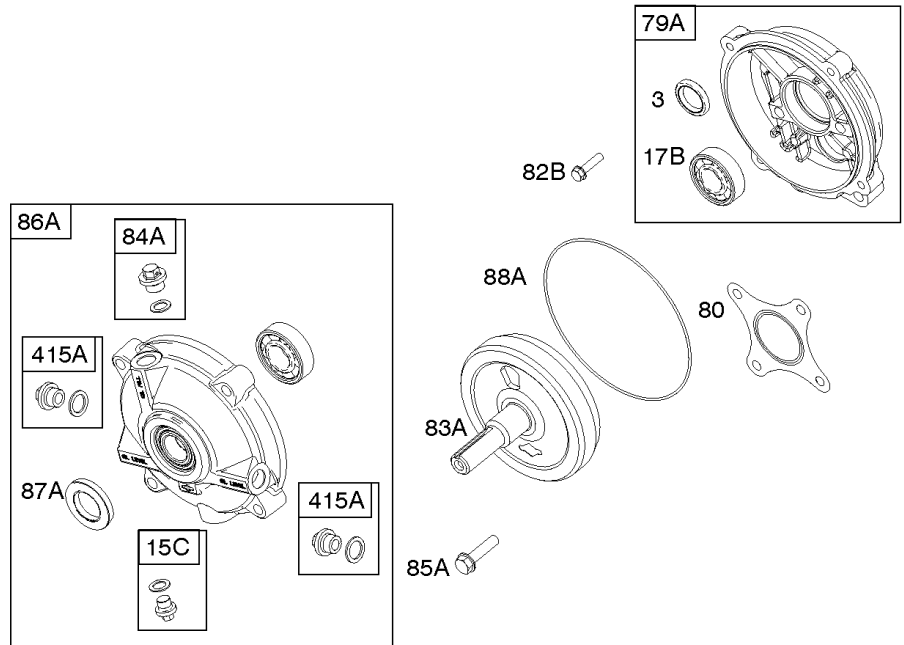
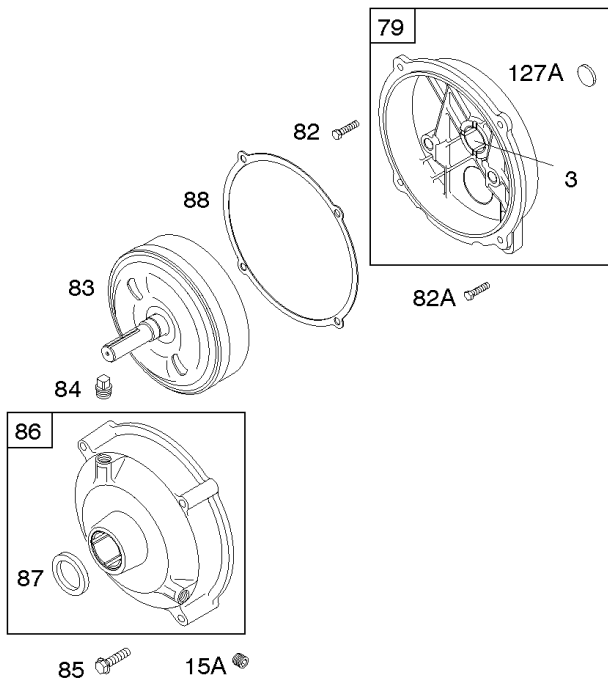


Blower Housing, Flywheel, Gear Reduction, Rewind Starter

REF NO	PART NO	QTY	DESCRIPTION
3	299819S		SEAL, Oil -(Magneto Side)
15A	691682		PLUG-OIL DRAIN -(Hex Socket)(1/4 Diameter)
15C	792750		PLUG, Oil Drain
17B	99158		BEARING-BALL
23	699488		FLYWHEEL
37	699661		GUARD, Flywheel
55	791848		HOUSING, Rewind Starter -Used After Code Date 08030200
55	691422		HOUSING, Rewind Starter -(Rewind Starter Parts Used With 3MM Diameter Starter Rope) -Used Before Code Date 08030300
55	791848		HOUSING, Rewind Starter -(Rewind Starter Parts Used With 5MM Diameter Starter Rope) -Used Before Code Date 08030300
58	693389		ROPE, Starter -(Cut To Required Length) (Rewind Starter Parts Used With 3MM Diameter Starter Rope) -Used Before Code Date 08030300
58	693389		ROPE, Starter -(Cut To Required Length) -Used After Code Date 08030200
58	66574		ROPE, Starter -(Rewind Starter Parts Used With 5MM Diameter Starter Rope) -Used Before Code Date 08030300
60	490652		GRIP-STARTER ROPE -(2 Piece)
78	699205		SCREW -(Flywheel Guard)
79	694511		CASE, Gear Reduction -Used Before Code Date 06051700
79A	792746		CASE, Gear Reduction -Used After Code Date 06051600
80	792755		GASKET, Gear Case
82	690369		SCREW -(Gear Reduction Case) -Used Before Code Date 06051700
82A	790197		SCREW -(Gear Reduction Case) -Used Before Code Date 06051700
82B	792753		SCREW -(Gear Reduction Case) -Used After Code Date 06051600
83	690374		SHAFT, Auxiliary Drive -Used Before Code Date 06051700
83A	792756		SHAFT, Auxiliary Drive -Used After Code Date 06051600
84	691121		PLUG-BREATHER
84A	792759		PLUG, Breather
85	692551		SCREW -(Gear Cover) -Used Before Code Date 06051700
85A	690711		SCREW -(Gear Cover) -Used After Code Date 06051600
86	690608		COVER, Gear -Used Before Code Date 06051700
86A	795647		COVER, Gear -Used After Code Date 08010100

Blower Housing, Flywheel, Gear Reduction, Rewind Starter

Mfg. No: 120212-0117-E1

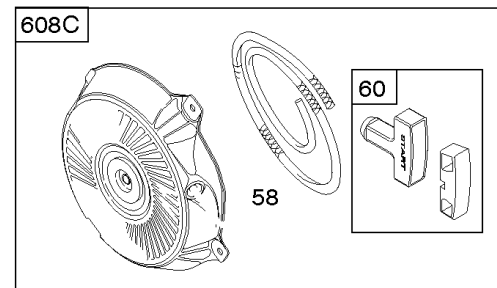
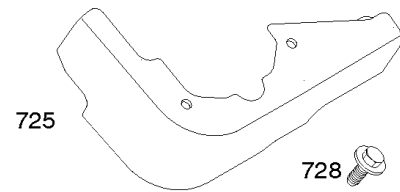
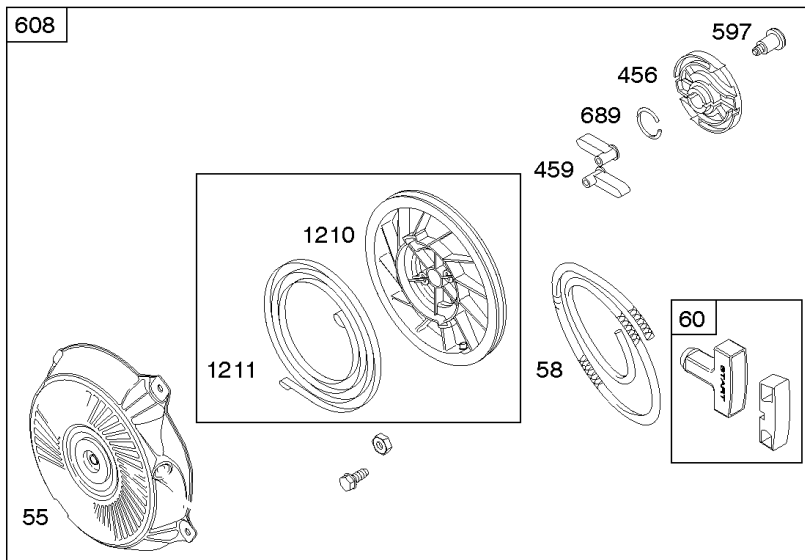
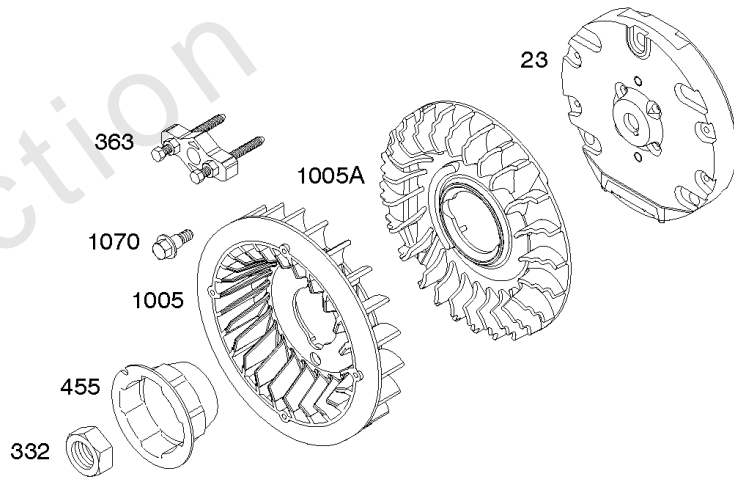
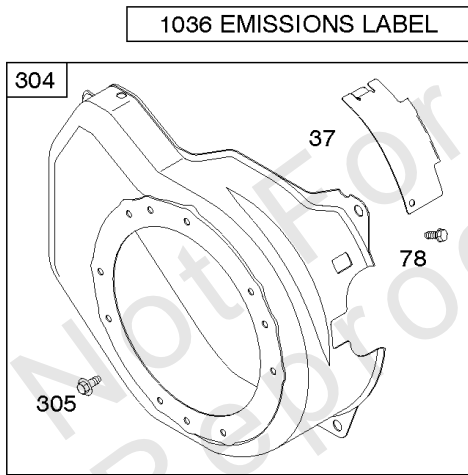
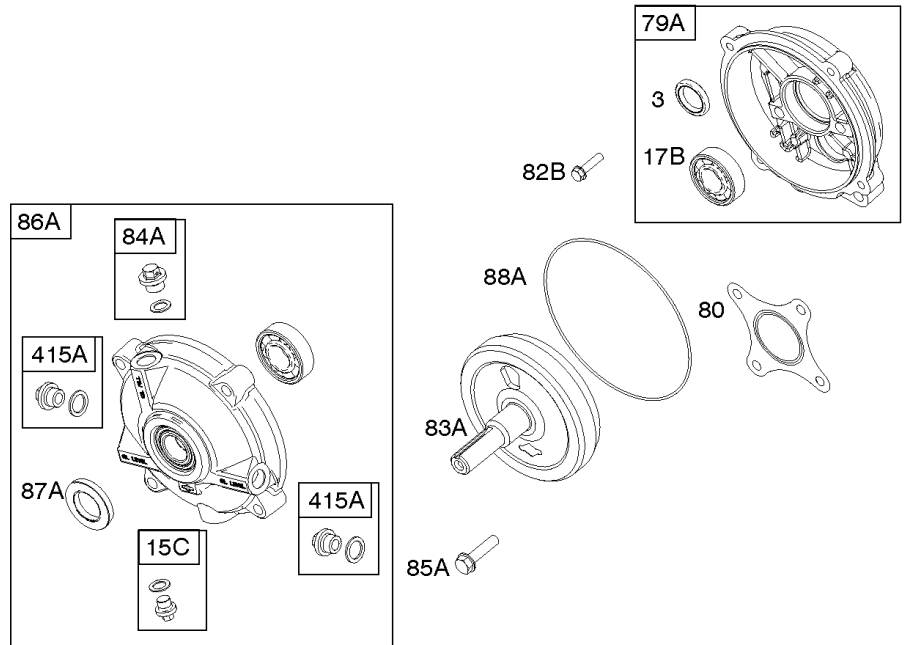
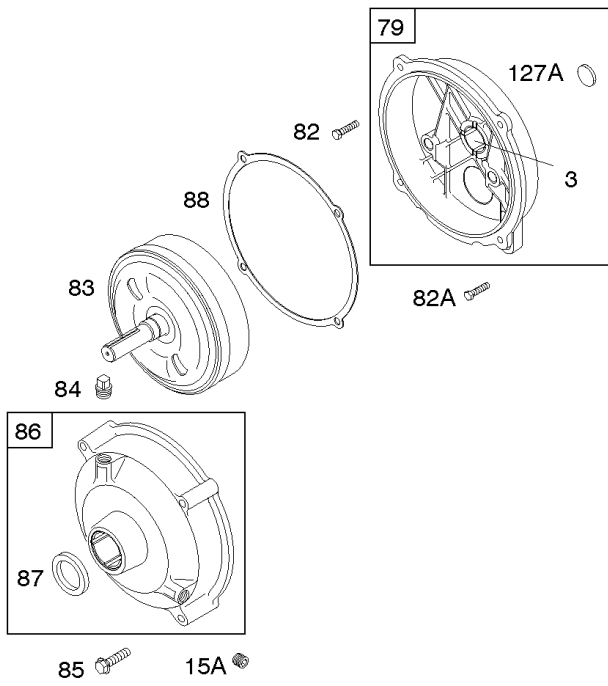


Blower Housing, Flywheel, Gear Reduction, Rewind Starter

REF NO	PART NO	QTY	DESCRIPTION
86A	792748		COVER-GEAR -Used After Code Date 06051600 -Used Before Code Date 08010200
87	691582		SEAL, Gear Reduction -Used Before Code Date 06051700
87A	792752		SEAL, Gear Reduction -Used After Code Date 06051600
88	691600		GASKET, Gear Cover/Housing
88A	792760		GASKET, Gear Cover/Housing
127A	691585		PLUG-WELCH
304	699598		HOUSING, Blower
305	699481		SCREW -(Blower Housing)
332	792723		NUT -(Flywheel)
363	19203		PULLER, Flywheel
415A	792749		PLUG
455	692591		CUP, Flywheel -Used Before Code Date 12010100
455	591302		CUP-FLYWHEEL -Used After Code Date 11123100
456	692299		PLATE-PAWL FRICTION
459	281505S		PAWL-RATCHET
597	691696		SCREW -(Pawl Friction Plate)
608	791670		STARTER, Rewind -(Rewind Starter Parts Used With 5MM Diameter Starter Rope) -Used Before Code Date 08030300
608	795930		STARTER, Rewind -Used After Code Date 08030200 -Used Before Code Date 12010100
608	693394		STARTER, Rewind -(Rewind Starter Parts Used With 3MM Diameter Starter Rope) -Used Before Code Date 08030300
608C	591301		STARTER, Rewind -Used After Code Date 11123100
689	691855		SPRING-FRICTION -(Rewind Starter)
725	792874		SHIELD, Heat
728	699632		SCREW -(Heat Shield)
1005	692592		FAN, Flywheel
1005A	794273		FAN, Flywheel
1036	790634		LABEL, Emissions -(Available From A Briggs & Stratton Authorized Dealer)
1070	699201		SCREW -(Flywheel Fan)
1210	791849		PULLEY/SPRING ASSEMBLY -(Pulley) -Used After Code Date 08030200
1210	791849		PULLEY/SPRING ASSEMBLY -(Pulley) (Rewind Starter Parts Used With 5MM Diameter Starter Rope) -Used Before Code Date 08030300
1210	498144		PULLEY/SPRING ASSY -(Pulley) (Rewind Starter Parts Used With 3MM Diameter Starter Rope) -Used Before Code Date 08030300
1211	791849		PULLEY/SPRING ASSEMBLY -(Spring) (Rewind Starter Parts Used With 5MM Diameter Starter Rope) -Used Before Code Date 08030300

Blower Housing, Flywheel, Gear Reduction, Rewind Starter

Mfg. No: 120212-0117-E1



Blower Housing, Flywheel, Gear Reduction, Rewind Starter

REF NO	PART NO	QTY	DESCRIPTION
1211	498144		PULLEY/SPRING ASSY -(Spring) (Rewind Starter Parts Used With 3MM Diameter Starter Rope) -Used Before Code Date 08030300
1211	791849		PULLEY/SPRING ASSEMBLY -(Spring) -Used After Code Date 08030200

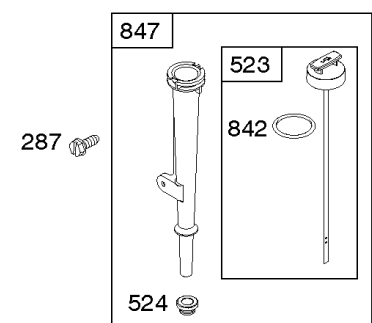
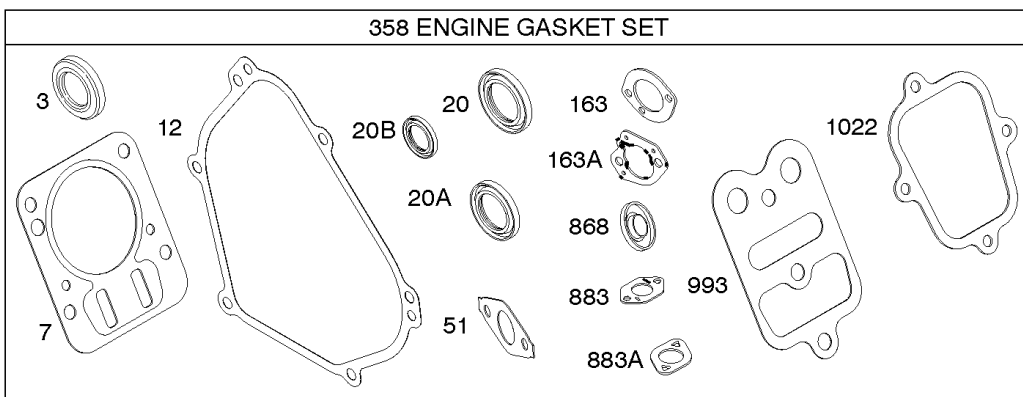
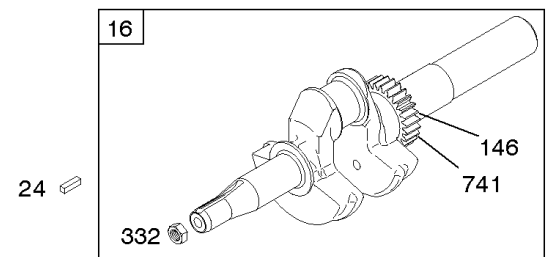
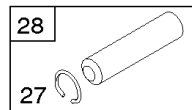
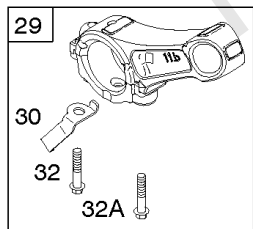
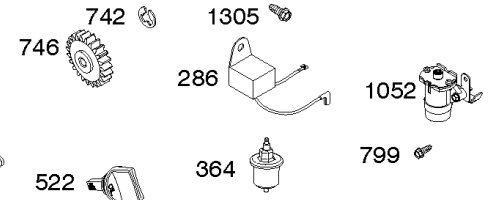
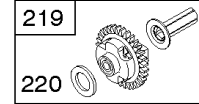
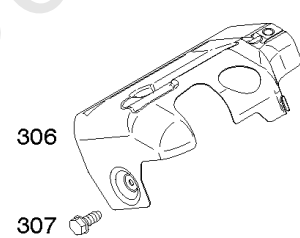
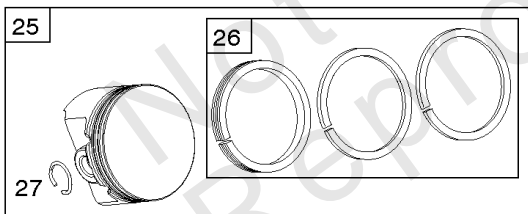
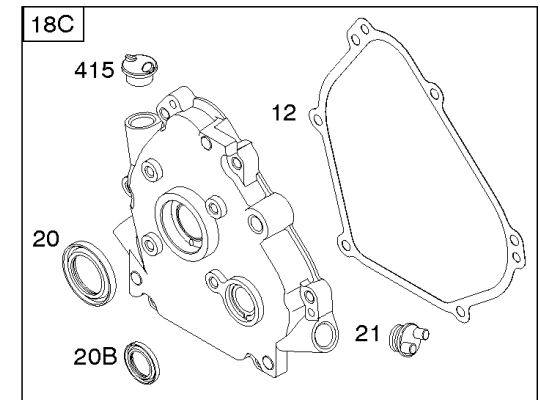
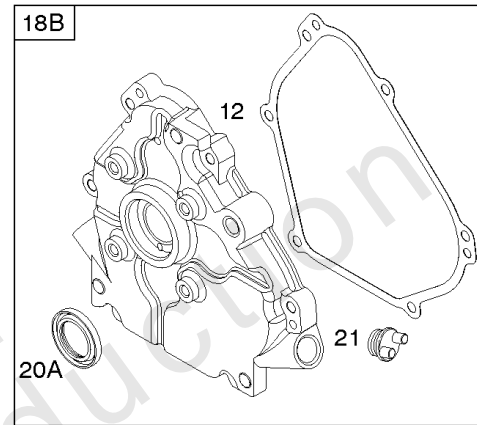
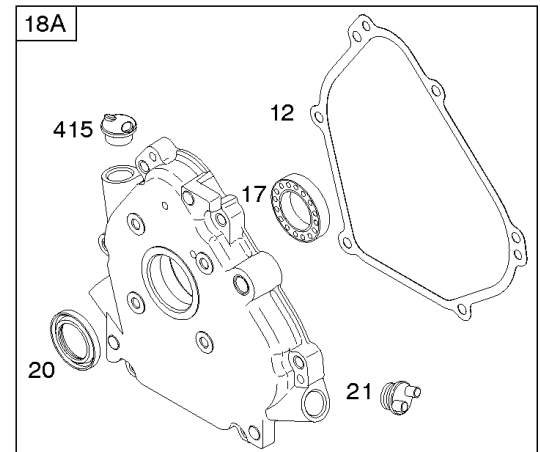
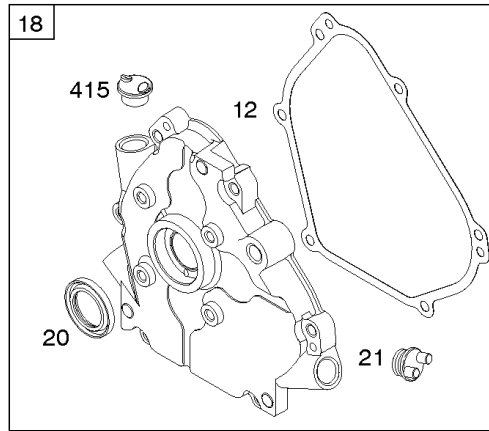
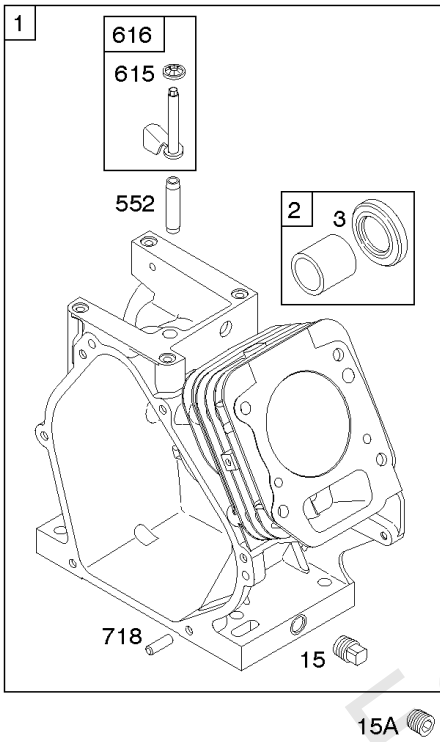
Not For Reproduction

1319 WARNING LABEL

REQUIRED when replacing parts with warning labels affixed.

1058 OPERATOR'S MANUAL

1330 REPAIR MANUAL



Camshaft, Crankcase Cover, Crankshaft, Cylinder, Lubrication, Piston Group

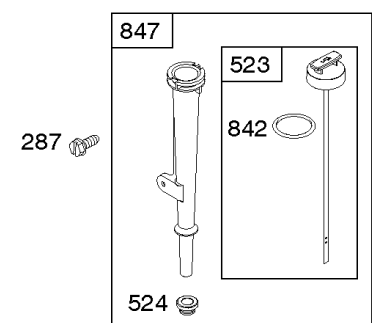
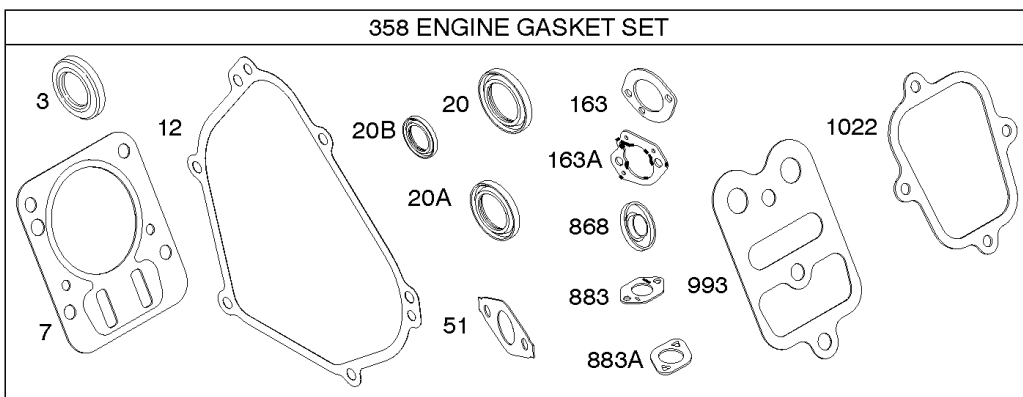
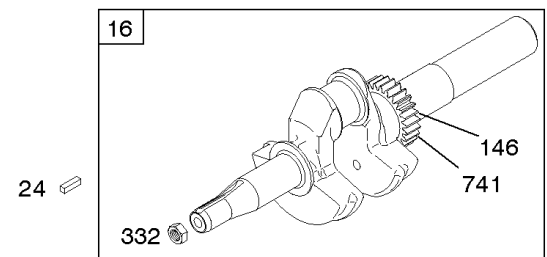
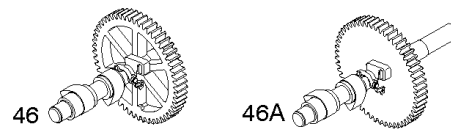
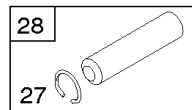
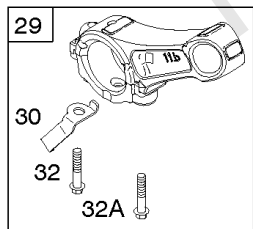
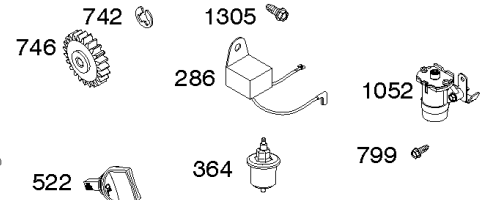
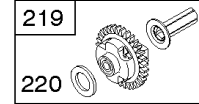
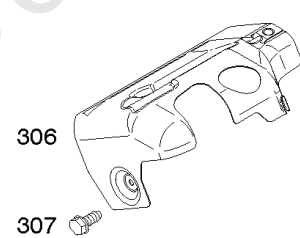
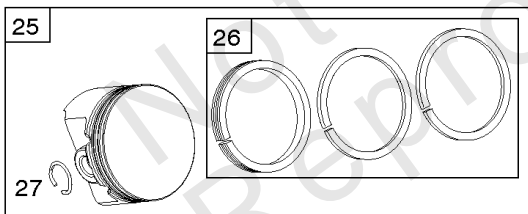
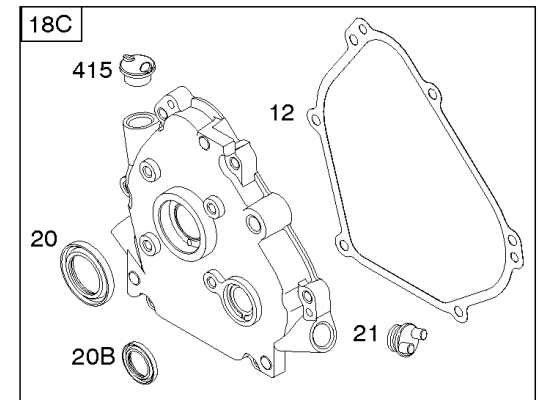
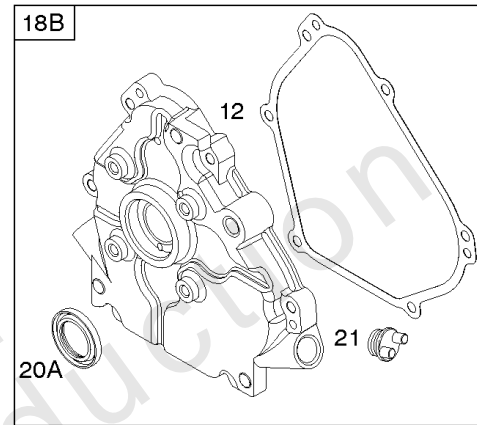
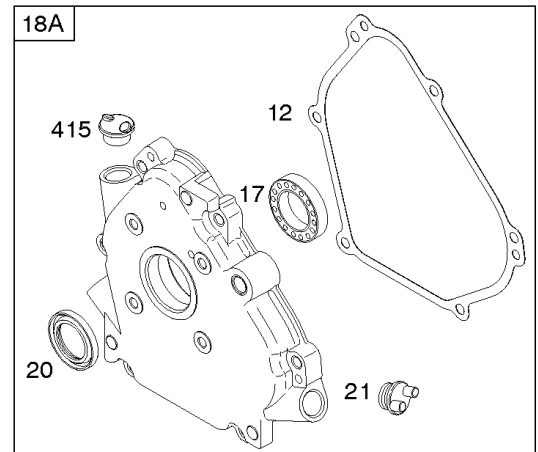
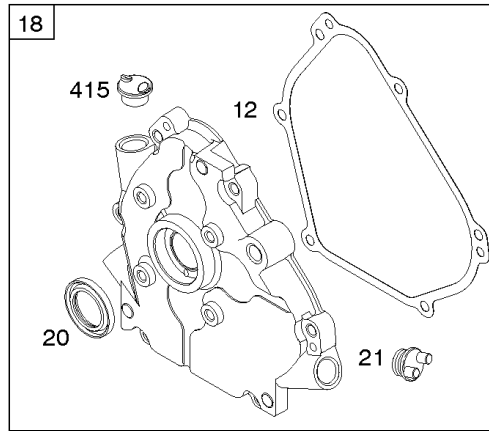
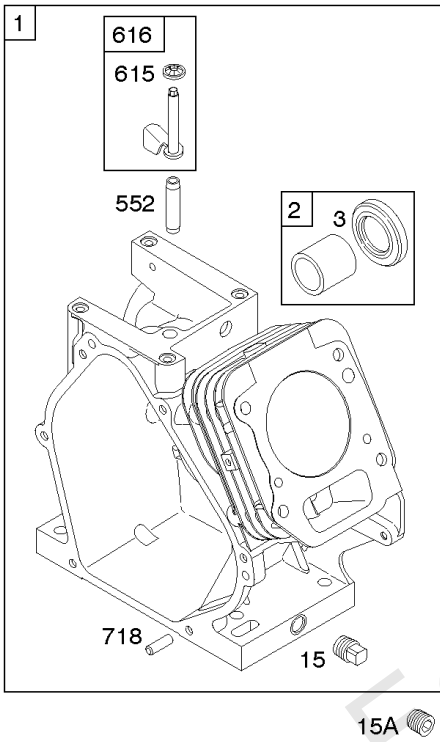
REF NO	PART NO	QTY	DESCRIPTION
1	699510		CYLINDER ASSEMBLY
2	399269		KIT, Bushing/Seal -(Magneto Side)
3	299819S		SEAL, Oil -(Magneto Side)
7	698210		GASKET, Cylinder Head
12	699485		GASKET-CRANKCASE
15	691686		PLUG-OIL DRAIN -(Square Head)(1/4" Diameter)
15A	691682		PLUG-OIL DRAIN -(Hex Socket)(1/4 Diameter)
16	699447		CRANKSHAFT
17	692517		BEARING, Ball
18	699804		COVER, Crankcase -Used After Code Date 07070200
18B	699761		COVER, Crankcase -Used Before Code Date 07070300
20	692550		SEAL-OIL -(PTO Side)
20A	694171		SEAL, Oil -(PTO Side)
20B	691952		SEAL, Oil -(PTO Side)
21	281658S		CAP-OIL FILL
22	699478		SCREW -(Crankcase Cover/Sump)
24	796335		KEY, Flywheel
25	791326		PISTON ASSEMBLY -(.020 Oversize)
25	791968		PISTON ASSEMBLY -(Standard)
26	791969		SET, Ring -(Standard) -Used After Code Date 05060600
26	692786		SET, Ring -(.020 Oversize) -Used Before Code Date 05060700
26	791324		SET, Ring -(.020 Oversize) -Used After Code Date 05060600
26	499631		SET, Ring -(Standard) -Used Before Code Date 05060700
27	691866		LOCK-PISTON PIN
28	499423		PIN-PISTON/STD -(Standard)
29	690124		ROD, Connecting
30	791584		DIPPER-CONN ROD
32	691664		SCREW -(Connecting Rod)
32A	695759		SCREW -(Connecting Rod)
46	693404		CAMSHAFT
46A	694831		CAMSHAFT
51	692555		GASKET, Intake -(2 Required)
146	690979		KEY, Woodruff
163	696024		GASKET, Air Cleaner -(Flat Panel Air Cleaner)

1319 WARNING LABEL

REQUIRED when replacing parts with warning labels affixed.

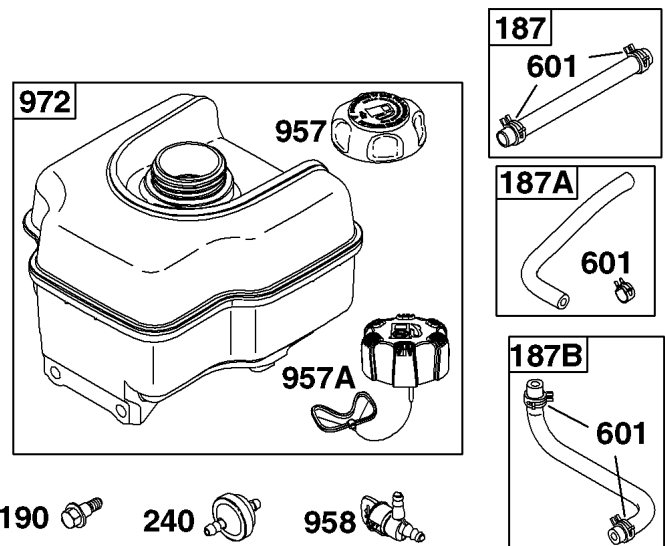
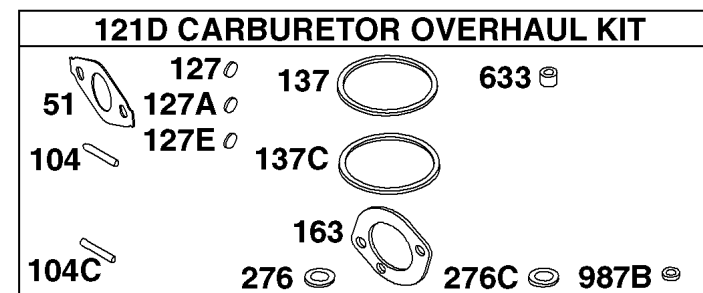
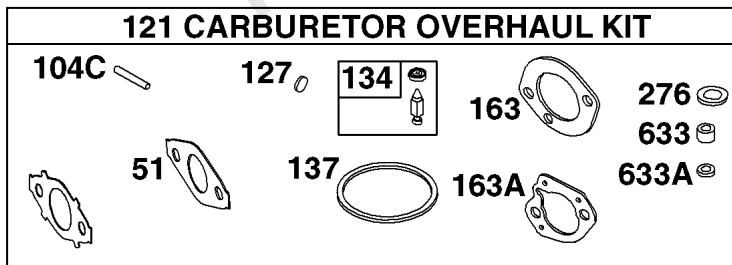
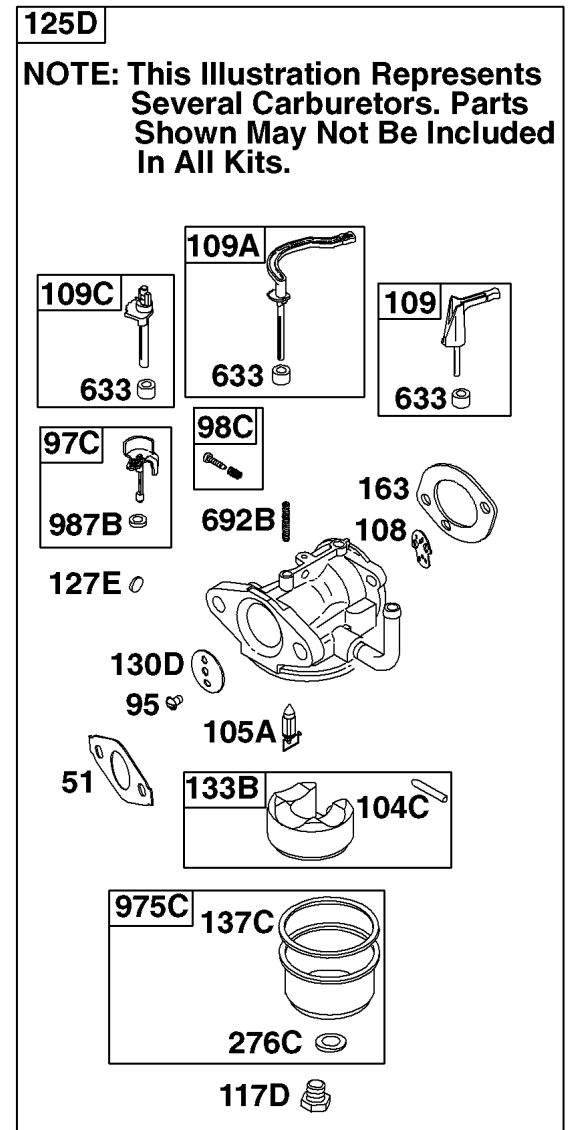
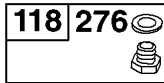
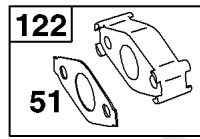
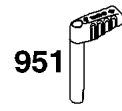
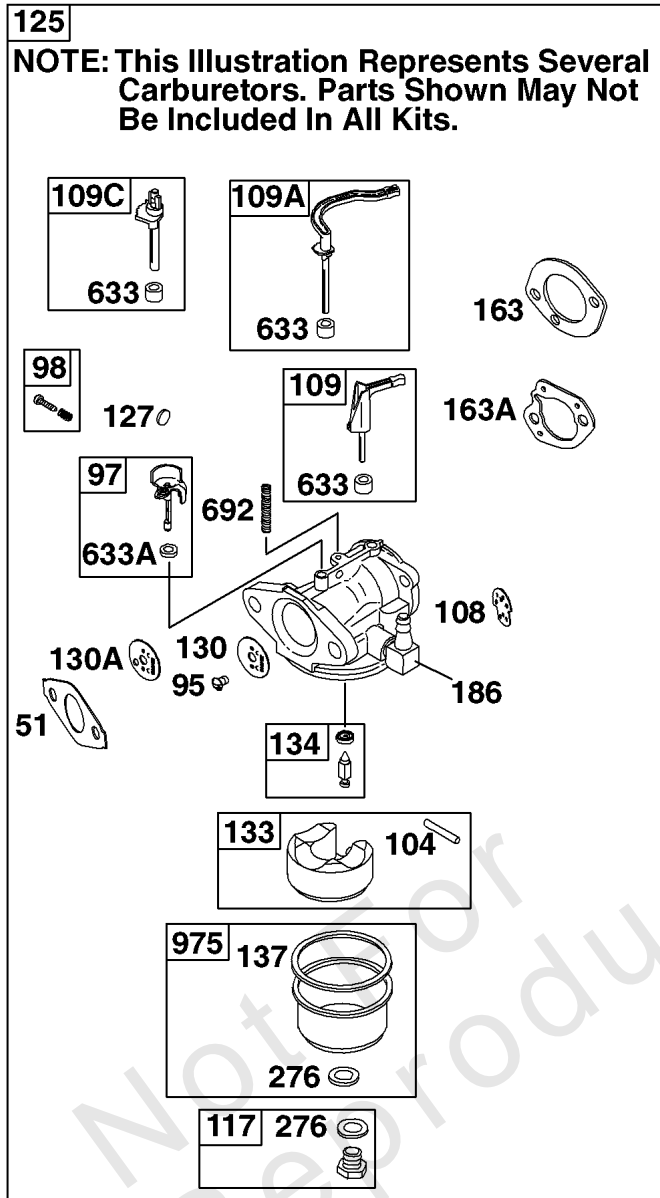
1058 OPERATOR'S MANUAL

1330 REPAIR MANUAL



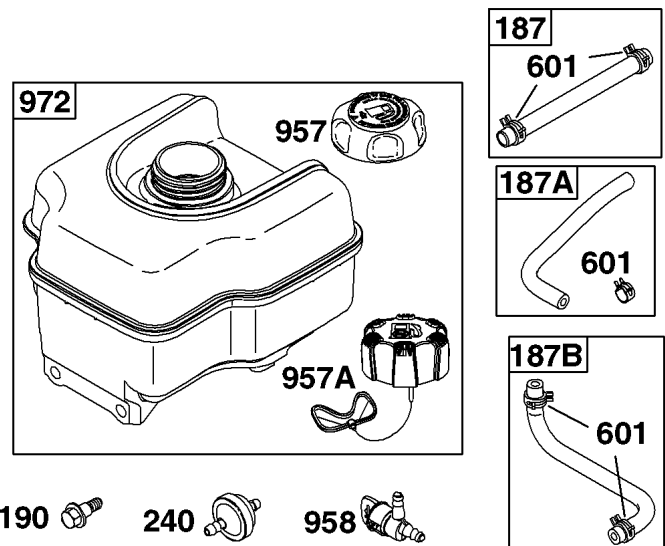
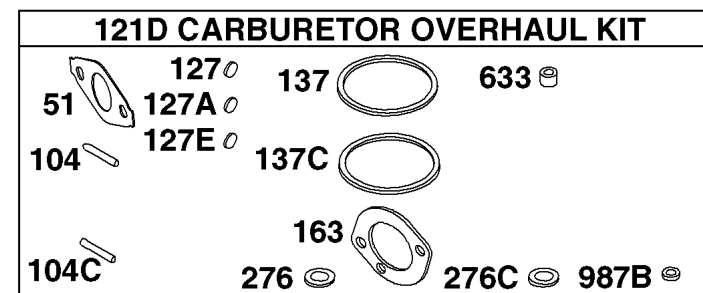
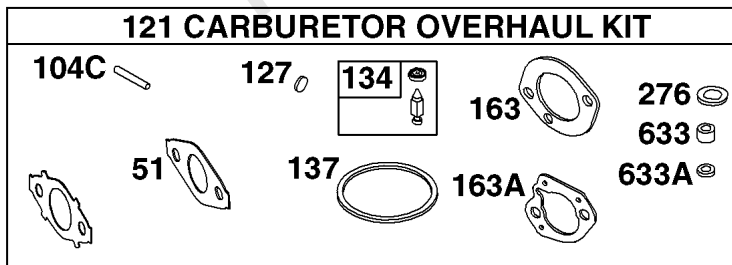
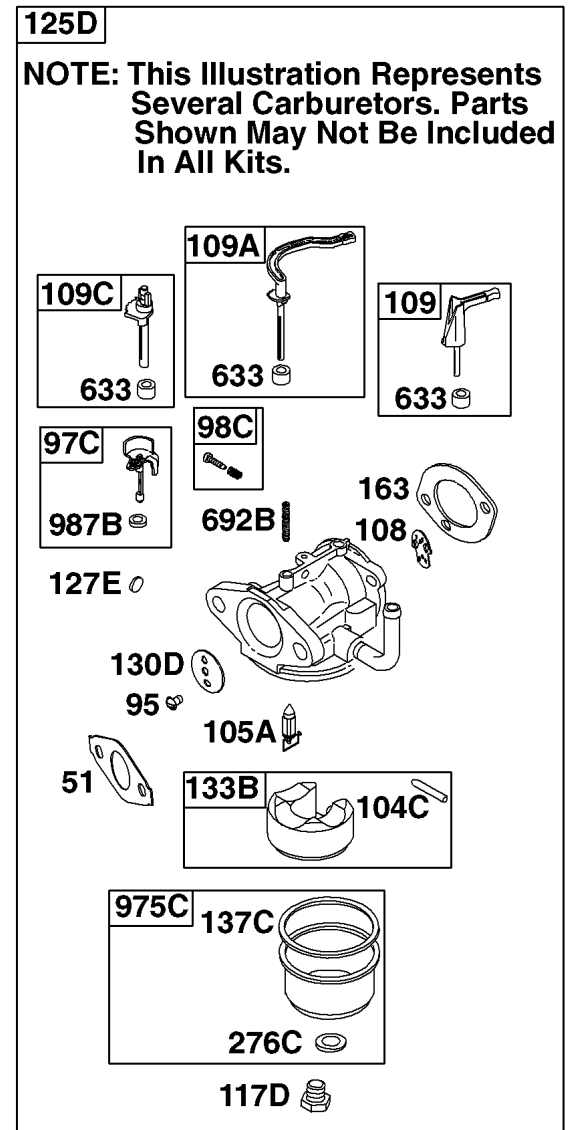
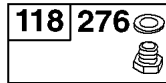
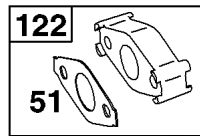
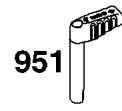
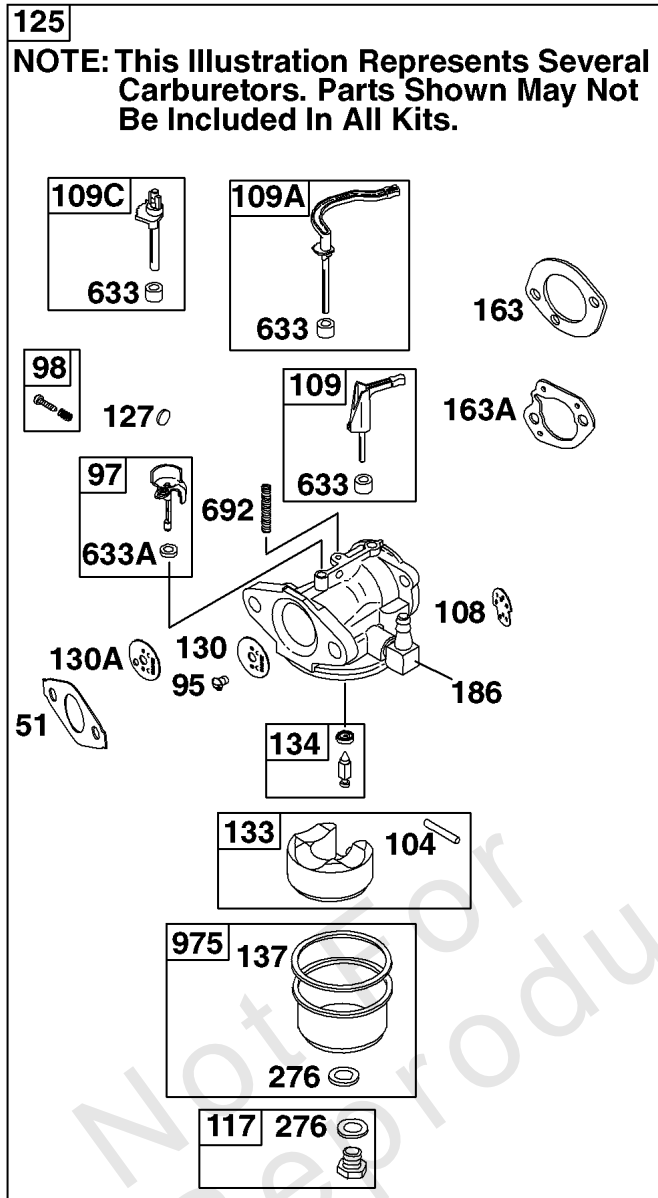
Camshaft, Crankcase Cover, Crankshaft, Cylinder, Lubrication, Piston Group

REF NO	PART NO	QTY	DESCRIPTION
163A	792870		GASKET, Air Cleaner -(High Mount)
170	699818		STUD -(Crankcase Cover/Sump)
219	693578		GEAR, Governor
220	691724		WASHER -(Governor Gear)
286	794185		MODULE, Oil Sensor
287	699629		SCREW -(Dipstick Tube)
306	693610		SHIELD, Cylinder
307	699483		SCREW -(Cylinder Shield)
332	792723		NUT -(Flywheel)
358	791797		GASKET SET, Engine
364	695693		TERMINAL, Oil Plug
415	693463		PLUG
522	697689		PLUG, Dipstick/Fill
523	693618		DIPSTICK
524	281370S		SEAL-DIPSTICK TUBE -(Dipstick Tube)
552	692346		BUSHING, Governor Crank
615	692576		RETAINER, Governor Shaft
616	692547		CRANK, Governor
718	690959		PIN, Locating
741	695087		GEAR-TIMING
742	692564		RETAINER, E Ring -(Idler Gear)
746	790278		GEAR-IDLER
799	699202		SCREW -(Oil Sensor)
842	691031		SEAL, O-Ring -(Dipstick Tube)
847	693617		DIPSTICK/TUBE ASSEMBLY
868	692044		SEAL, Valve
883	691893		GASKET-EXHAUST -(Between Adapter And Cylinder)
883A	692237		GASKET-EXHAUST
993	694088		GASKET-CYL HD PLATE
1022	691890		GASKET-ROCKER COVER
1052	790141		SENSOR, Oil
1058	277040		MANUAL, Operator's
1305	699691		SCREW -(Oil Sensor Module)
1319	794467		LABEL, Warning
1330	272147		MANUAL, Repair



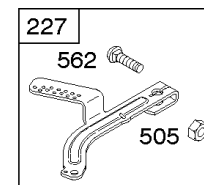
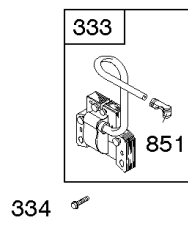
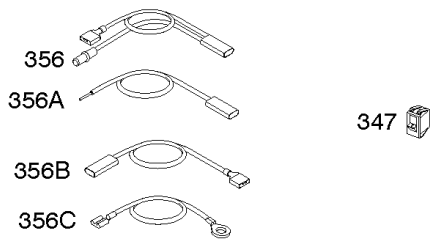
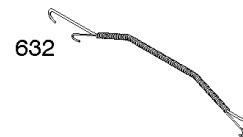
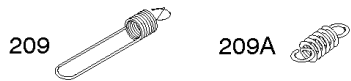
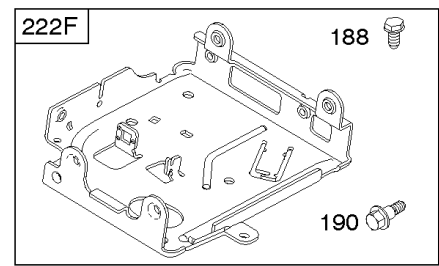
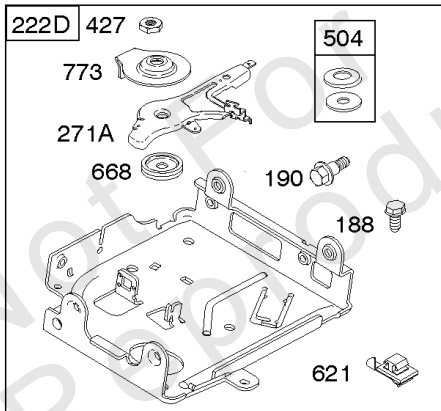
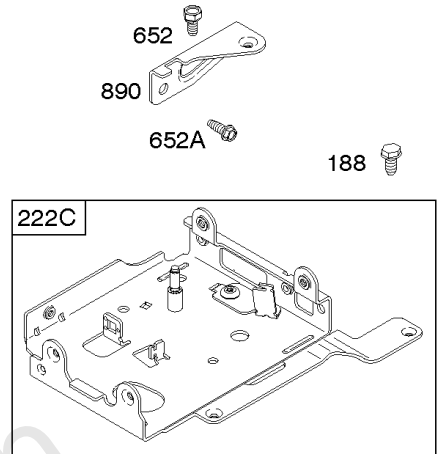
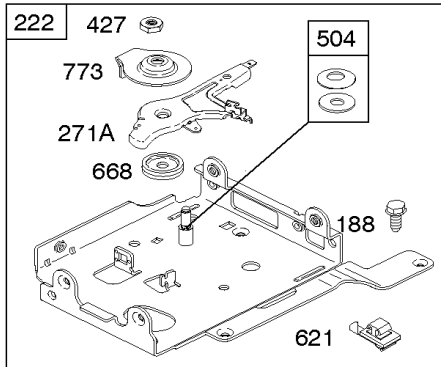
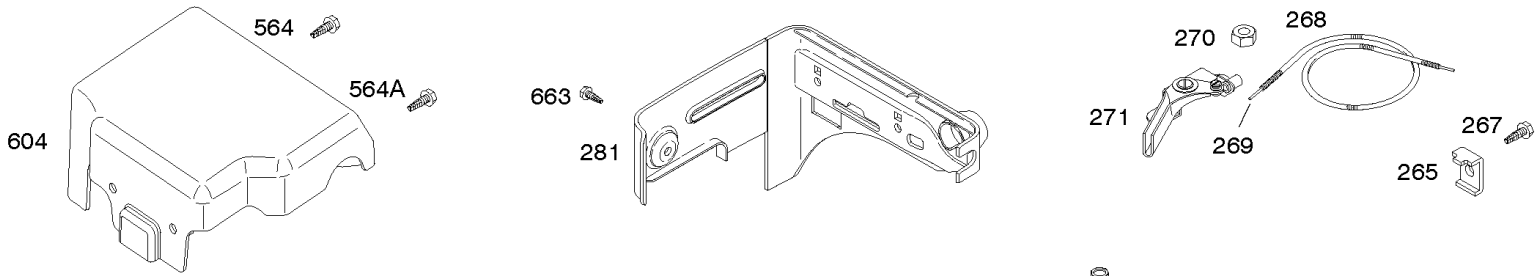
Carburetor, Fuel Supply

REF NO	PART NO	QTY	DESCRIPTION
51	692555		GASKET, Intake -(2 Required)
95	691636		SCREW -(Throttle Valve)
97	690024		SHAFT, Throttle
97C	797628		SHAFT, Throttle
98	398185		KIT-IDLE SPEED -(Carburetor)
98C	797156		KIT, Idle Speed
104	691242		PIN, Float Hinge
104C	797622		PIN-FLOAT HINGE
105A	797139		VALVE, Float Needle
108	692567		VALVE-CHOKE
109	690023		SHAFT, Choke
109A	693628		SHAFT, Choke
109C	790624		SHAFT, Choke
117	691428		JET, Main -(Standard) -Used Before Code Date 10100100
117D	798652		JET, Main -(Standard) -Used After Code Date 10093000 -Used Before Code Date 12010100
117D	591298		JET, Main -(Standard) -Used After Code Date 11123100
118	695042		JET, Main -(High Altitude) -Used Before Code Date 10100100
118D	798651		JET, Main -(High Altitude) -Used After Code Date 10093000 -Used Before Code Date 12010100
118D	797574		JET, Main -(High Altitude) -Used After Code Date 11123100
121	792006		KIT, Carburetor Overhaul
121D	797634		KIT, Carburetor Overhaul
122	795643		SPACER, Carburetor
125	791991		CARBURETOR -Used Before Code Date 10100100
125D	798650		CARBURETOR -Used After Code Date 10093000 -Used Before Code Date 12010100
125D	591299		CARBURETOR -Used After Code Date 11123100
127	691739		PLUG-WELCH
127A	691585		PLUG-WELCH
127E	797633		PLUG, Welch
130A	691203		VALVE, Throttle
133	398187		FLOAT-CARBURETOR
133B	797136		FLOAT, Carburetor
134	398188		KIT-NEEDLE/SEAT
137	693981		GASKET-FLOAT BOWL
137C	797625		GASKET, Float Bowl
163	696024		GASKET, Air Cleaner -(Flat Panel Air Cleaner)
163A	792870		GASKET, Air Cleaner -(High Mount)



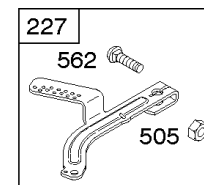
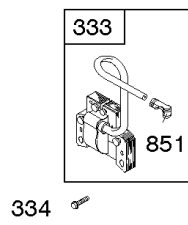
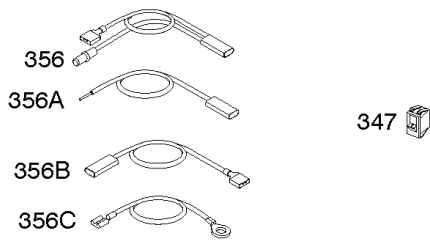
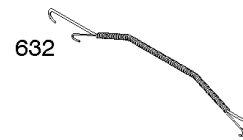
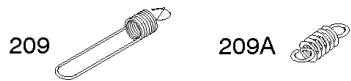
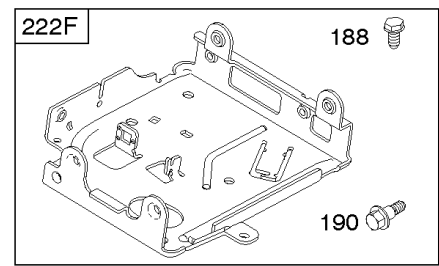
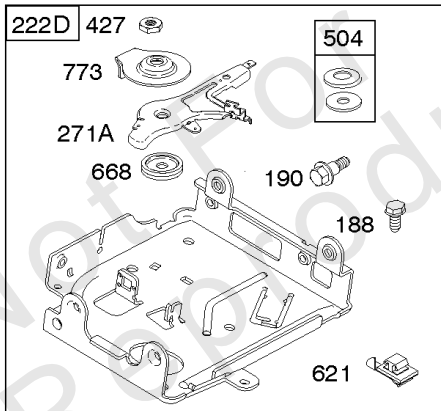
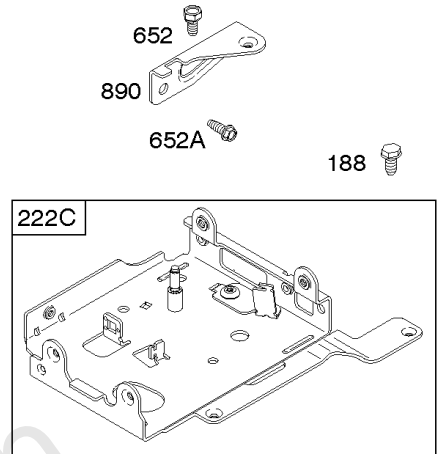
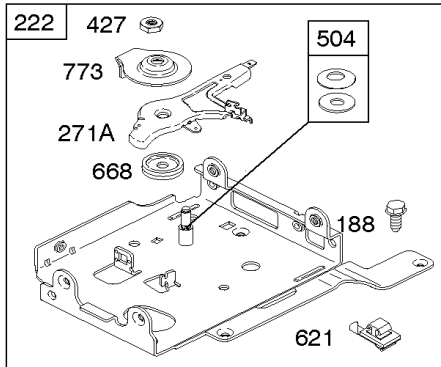
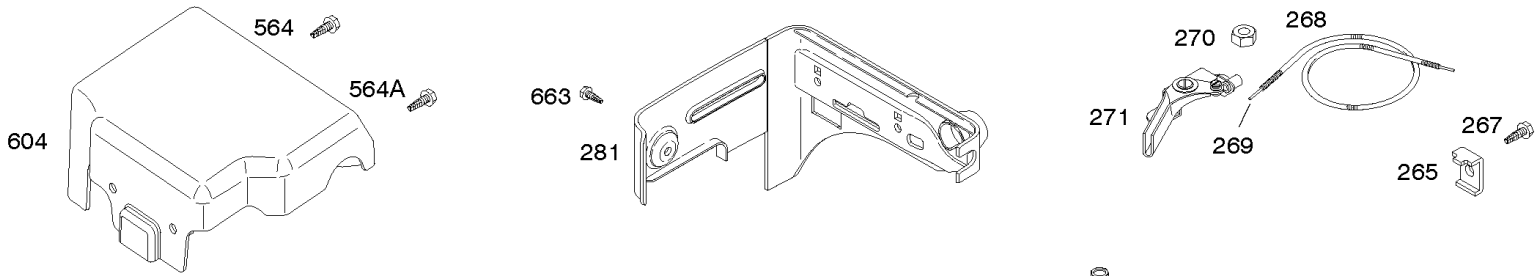
Carburetor, Fuel Supply

REF NO	PART NO	QTY	DESCRIPTION
186	692317		CONNECTOR-HOSE
187	791766		LINE, Fuel -(Cut To Required Length)
187A	791867		LINE, Fuel -(Molded)
187B	791874		LINE, Fuel -(Molded)
190	699220		SCREW -(Fuel Tank)
240	394358S		FILTER, Fuel
276	271716		WASHER-SEALING
276C	797632		WASHER, Sealing
365	699484		SCREW -(Carburetor)
601	791850		CLAMP, Hose
633	693867		SEAL, Choke/Throttle Shaft
633A	691321		SEAL-CHOKE/THR SHAFT -(Throttle Shaft)
692	690572		SPRING, Detent -(Carburetor)
692B	797624		SPRING, Detent
951	790630		LEVER, Choke
957	795027		CAP, Fuel Tank -(Plastic) (Text Free)
957	792647		CAP, Fuel Tank -(Plastic) (Fresh Start)
957A	799719		CAP, Fuel Tank -(Plastic) (Carbon In Cap)
958	698180		VALVE-FUEL SHUT OFF -(Plastic)
972	694260		TANK, Fuel -(Plastic)
975	493640		BOWL, Float
975C	797631		BOWL, Float
987B	797629		SEAL, Choke/Throttle Shaft



Controls, Governor Spring, Ignition

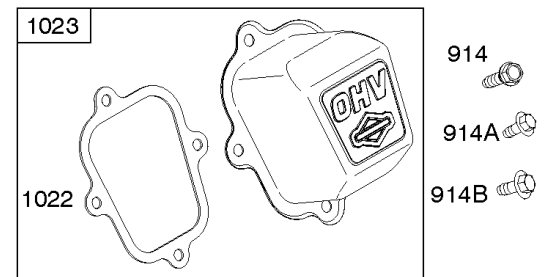
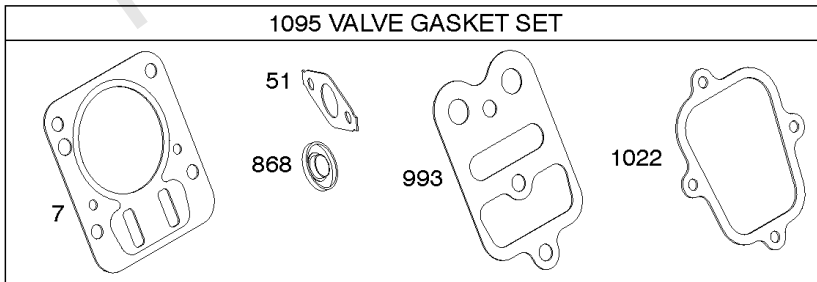
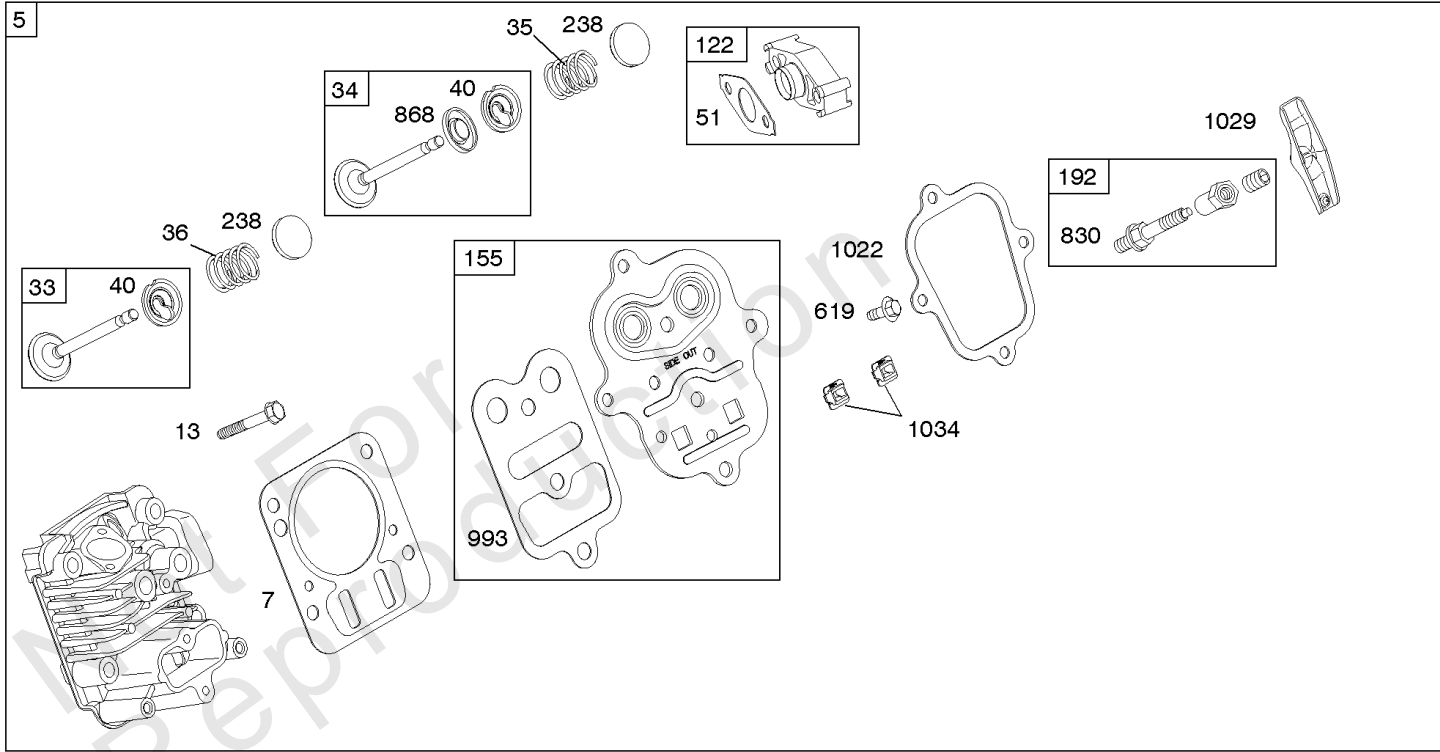
REF NO	PART NO	QTY	DESCRIPTION
188	699479		SCREW -(Control Bracket)
190	699220		SCREW -(Fuel Tank)
209	693206		SPRING, Governor
222C	699590		BRACKET, Control -Used Before Code Date 06051500
222F	793100		BRACKET, Control -Used After Code Date 06051400
227	692573		LEVER, Governor Control
265	691024		CLAMP, Casing
267	699492		SCREW -(Casing Clamp)
268	691025		CASING, Control Wire -(Cut To Required Length)
269	691026		WIRE, Control -(Cut To Required Length)
270	691027		NUT -(Control Wire Casing)
271	691028		LEVER, Control
271A	694256		LEVER, Control
281	793122		PANEL, Control
333	695711		ARMATURE, Magneto
334	699477		SCREW -(Magneto Armature)
347	698338		SWITCH, Rocker
356	693651		WIRE, Stop
356A	692390		WIRE, Stop -(1 Wire, 17)(Snap Connect Insulated Female Blade Terminal, AndBare Wire End)
356B	692602		WIRE-STOP
356C	695630		WIRE, Stop
427	694255		NUT -(Control Bracket) (SAE)
427	798458		NUT -(Control Bracket) (Metric)
504	694254		SET, Friction Washer
505	691251		NUT -(Governor Control Lever)
562	691119		BOLT -(Governor Control Lever)
564	699491		SCREW -(Control Cover)
564A	699206		SCREW -(Control Cover)
604	697326		COVER-CONTROL
621	692310		SWITCH, Stop
632	693408		SPRING/LINK, Mechanical Governor
652	699755		SCREW -(Support Bracket)
652A	699481		SCREW -(Support Bracket)
663	699206		SCREW -(Control Panel)
668	694257		SPACER
773	694258		RETAINER -(Control Bracket)



Controls, Governor Spring, Ignition

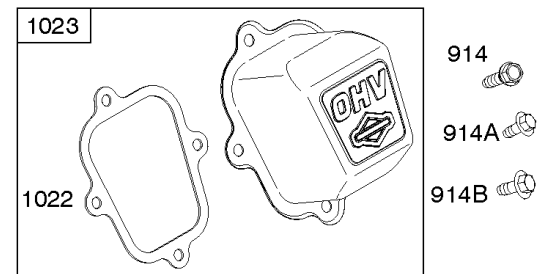
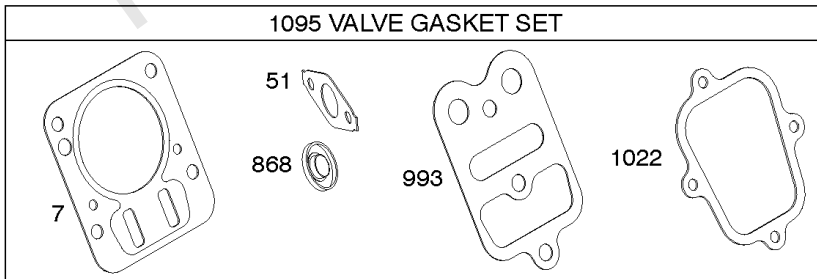
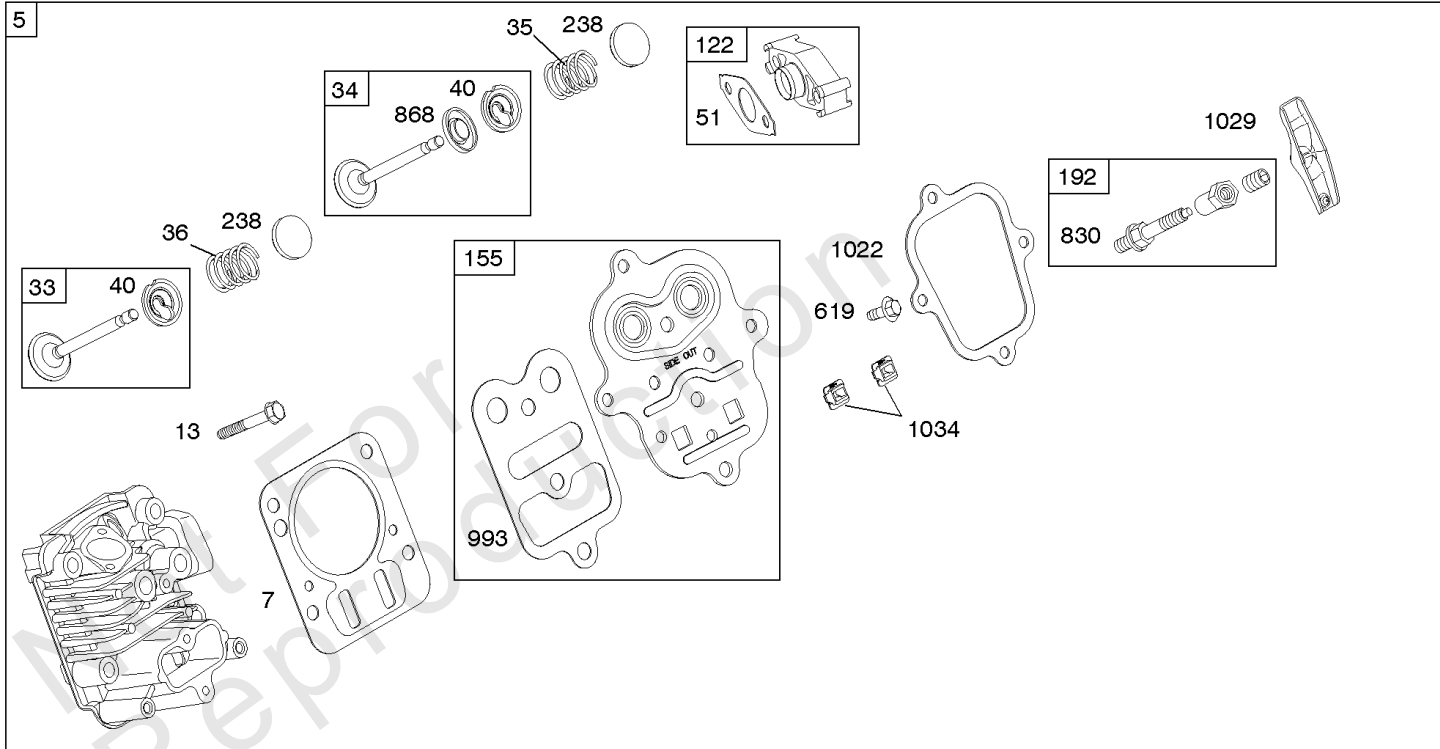
REF NO	PART NO	QTY	DESCRIPTION
851	493880S		TERMINAL-SPARK PLUG
890	790203		BRACKET, Support

Not For Reproduction



Cylinder Head

REF NO	PART NO	QTY	DESCRIPTION
5	797439		HEAD, Cylinder -(Metric) -Used After Code Date 09061700
5	699486		HEAD, Cylinder -(SAE) -Used Before Code Date 09061800
7	698210		GASKET, Cylinder Head
13	699482		SCREW -(Cylinder Head)
33	499642		VALVE, Exhaust
34	499641		VALVE, Intake
35	691304		SPRING, Valve -(Intake)
36	691304		SPRING, Valve -(Exhaust)
40	692194		RETAINER, Valve
45	690977		TAPPET, Valve
51	692555		GASKET, Intake -(2 Required)
122	795643		SPACER, Carburetor
155	797442		PLATE, Cylinder Head -(Metric) -Used After Code Date 09061700
155	698214		PLATE, Cylinder Head -(SAE) -Used Before Code Date 09061800
192	694543		ADJUSTER-ROCKER ARM -(SAE) -Used Before Code Date 09061800
192	797440		ADJUSTER, Rocker Arm -(Metric) -Used After Code Date 09061700
238	691300		CAP, Valve
337	691043		PLUG, Spark -(EMS)
337	491055S		PLUG, Spark -(Resistor)
337	84007216	1	PLUG, SPARK -(China Only)
383	19374S		WRENCH, Spark Plug
619	699481		SCREW -(Cylinder Head Plate)
635	692076		BOOT, Spark Plug
635A	692927		BOOT, Spark Plug
830	797441		STUD, Rocker Arm -(Rocker Arm) (Metric) -Used After Code Date 09061700
830	694544		STUD-ROCKER ARM -(Rocker Arm) (SAE) -Used Before Code Date 09061800
868	692044		SEAL, Valve
914	699481		SCREW -(Rocker Cover) (Bottom)
914A	692557		SCREW -(Rocker Cover) (Top) -Used Before Code Date 09061800
914A	797444		SCREW -(Rocker Cover) (Top) -Used After Code Date 09061700
914B	697551		SCREW -(Rocker Cover) (Center) -Used Before Code Date 09061800



Cylinder Head

REF NO	PART NO	QTY	DESCRIPTION
914B	797444S		SCREW -(Rocker Cover) (Center) -Used After Code Date 09061700
993	694088		GASKET-CYL HD PLATE
1022	691890		GASKET-ROCKER COVER
1023	499924		COVER, Rocker
1026	790287		ROD, Push
1029	691230		ARM, Rocker -(SAE) -Used Before Code Date 09061800
1029	797443		ARM, Rocker -(Metric) -Used After Code Date 09061700
1034	691343		GUIDE-PUSH ROD
1095	791798		GASKET SET, Valve

Not For Reproduction

Replacement Engine - US & Canada

REF NO	PART NO	QTY	DESCRIPTION
	1220120526	1	Replacement Engine
	798241	1	Replacement Short Block
-----			Top No-Load Speed: 3750 -Trim: ALL
-----			Service Note: Transfer Muffler and/or Spark Arrester Assembly from the original engine if suitable for additional service or add new parts as required
-----			Service Note: Replacement engine listed is not available in the State of California. Repair with individual parts.
-----			Service Note: For all Go-Karts use only a Model 136200 series engine as a replacement, regardless of the original Model.

Not For Reproduction

