



# Parts Manual

Mfg. No: 080232-1025-99



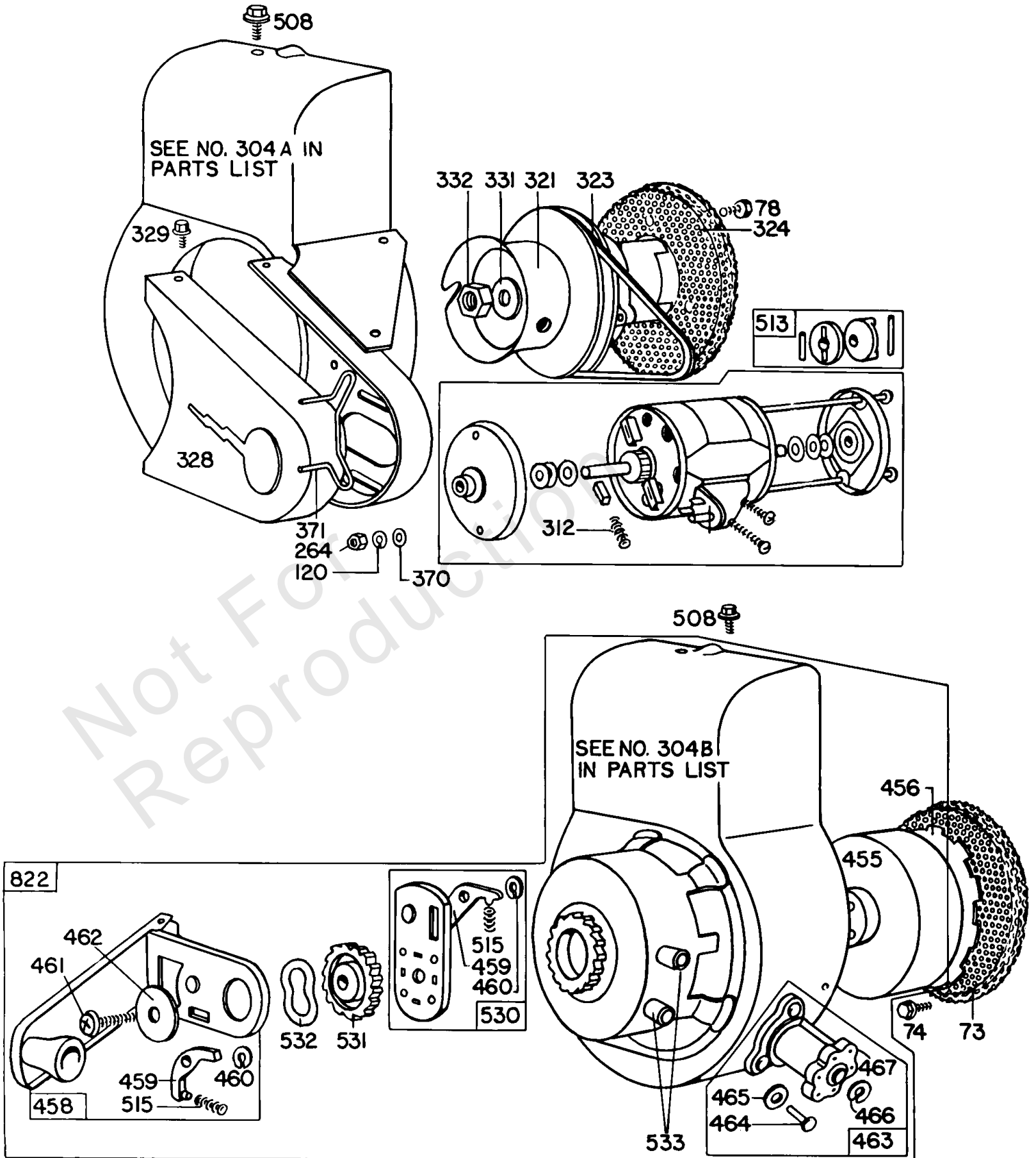
---

<b>Model Components</b>	<b>Page</b>
(2) Rewind Starter Assys.....	4
(2) Side Pull Carburetors.....	6
Air Cleaner Grps, Fuel Tank.....	12
BlowerHsg,Rewind,Flywheels.....	16
Cyl,Gear Case,Muffler,Piston.....	22
Replacement Engine - US & Canada.....	30

Not For  
Reproduction

(2) Rewind Starter Assys.

Mfg. No: 080232-1025-99



## (2) Rewind Starter Assys.

REF NO	PART NO	QTY	DESCRIPTION
73	220648		SCREEN, Rotating -Used Before Code Date 6405250
73	221661		SCREEN, Rotating -(Rewind Starter) -Used After Code Date 6405220
74	93490		SCREW -(Rotating Screen)
78	93705		SCREW -(8-32 X 3/8)
120	92290		WASHER
264	90355		NUT, Hex
312	260404		SPRING, Brush
321	210711		PULLEY, Starter -(Fits Crankshafts With 1/2-20 Thread)
323	67228		BELT, Vee
324	220648		SCREEN, Rotating
328	221038		GUARD, Belt
329	93705		SCREW -(8-32 X 3/8)
331	62577		WASHER -(1/2 Hole) For Washer with 5/8 Hole-Order No. 220865
332	91708		NUT -(1/2-20 L.H. Thread) For Flywheel Nut with 5/8-18 right hand thread-order No. 92284
370	66432		WASHER
371	260275		GUARD, Belt
455	296455		CUP, Flywheel -(With Pinned Spring)
456	221222		PLATE, Retainer
458	296305		HANDLE, Cranking
459	221332		PAWL, Ratchet
460	93272		RETAINER, E Ring
461	93231		SCREW
462	221237		WASHER
463	296445		HOUSING, Flywheel
464	93291		RIVET -(2)
465	221226		WASHER
466	93272		RETAINER, E Ring
467	211017		KNOB, Air Cleaner Cover
508	93294		SCREW -(5/8)
513	296567		CLUTCH, Starter
515	260537		SPRING, Ratchet
530	296304		PLATE, Pawl Friction
531	230615		PAWL, Ratchet
532	260500		WASHER -(Spring)
533	67478		SWITCH, Stop
822	296732		STARTER SUB ASSEMBLY

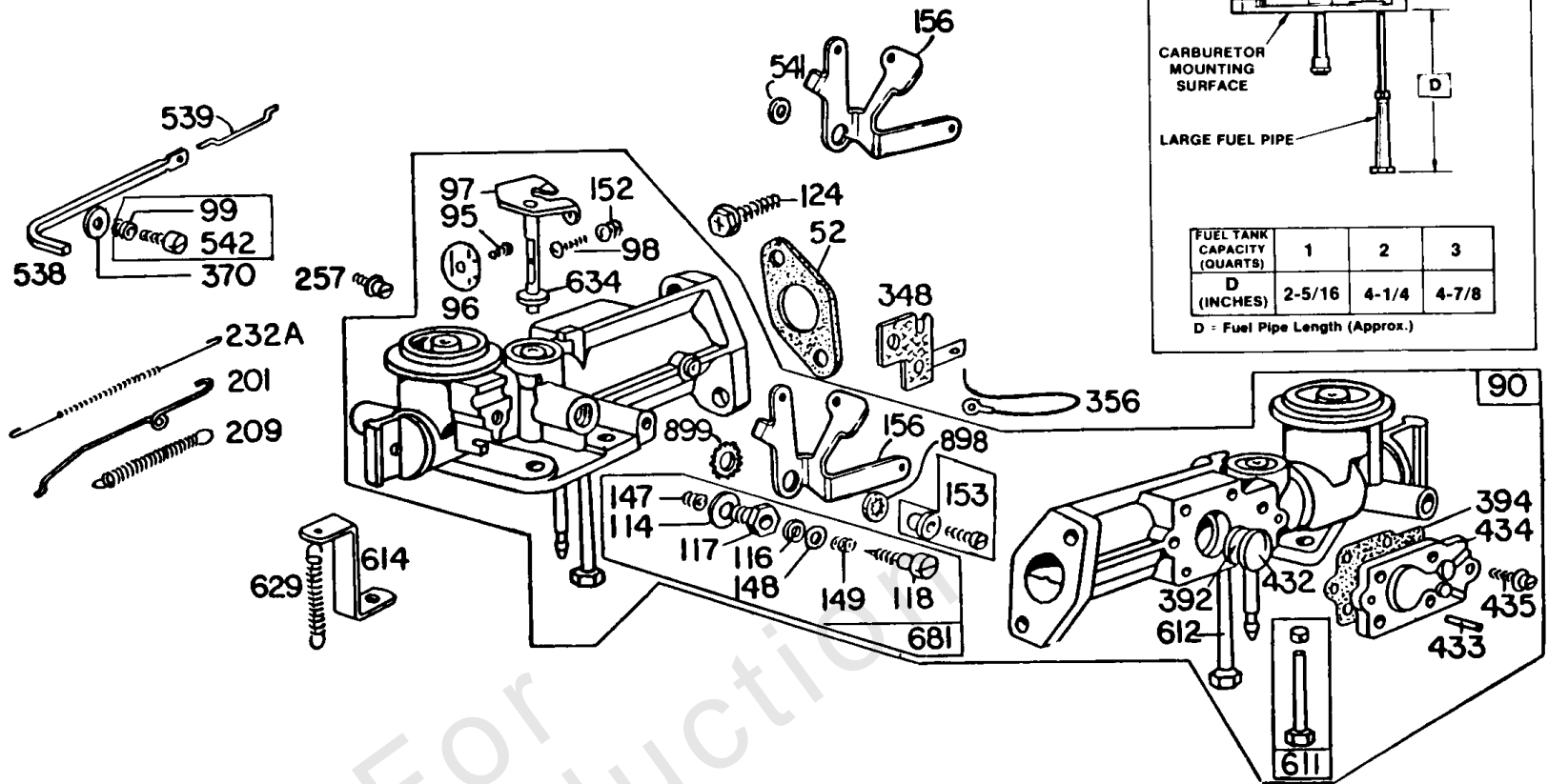
### Footnotes:

on cables molded into ignition coil  
Do Not Use with 260898 Gov. Link (Ref. 201)

## (2) Side Pull Carburetors

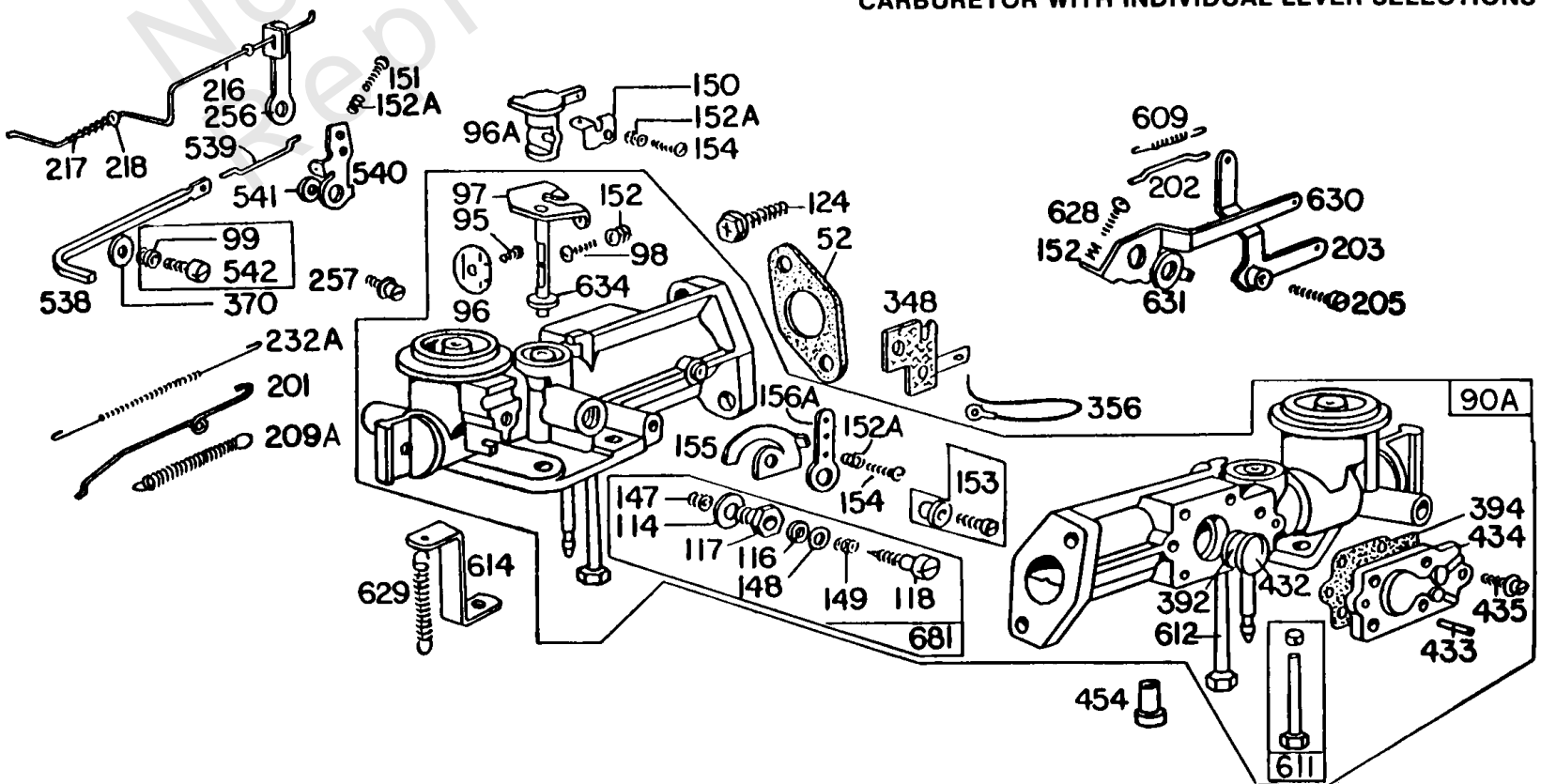
Mfg. No: 080232-1025-99

### CARBURETOR WITH MULTI-PURPOSE SPEED ADJUSTER LEVER



GENERAL NOTE: WHEN ORIGINAL CARBURETOR DOES NOT MATCH THE ABOVE ILLUSTRATION (REF. 90), ORDER PARTS FROM LOWER ILLUSTRATION (REF. 90A).

### CARBURETOR WITH INDIVIDUAL LEVER SELECTIONS



## (2) Side Pull Carburetors

REF NO	PART NO	QTY	DESCRIPTION
52	27355		GASKET, Intake -(2) Included in Gasket Set-Part No. 297275
90A	297918		CARBURETOR -(Manual Choke) (2 Quart Tank)
90	393975		CARBURETOR -(1 Quart)
90	393976		CARBURETOR -(Manual Choke) (2 Quart Tank) All Carburetors listed under Ref. 90 use 222955 Ref. 156 Lever.
90	393977		CARBURETOR -(Manual Friction) (3 Quart Tank)
95	93499		SCREW -(Throttle Valve)
96A	211067		LINK, Throttle
96	211203		VALVE, THROTTLE
97	297961		SHAFT, Throttle
98	93524		SCREW -(5-40 X 1/2)
99	393586		SCREW/SPRING, Governor Speed
114	66594		WASHER, Sealing -(Needle Valve)
116	65978		SEAL, O-Ring -(Needle Valve)
117	230590		NUT
118	23433		VALVE, Float Needle
124	93357		SCREW
147	230591		SEAT, Needle Valve
148	22235		WASHER
149	26336		SPRING, Needle Valve
150	220105		LINK, Mechanical Governor
151	93350		SCREW
152A	260575		SPRING, Throttle Return
152	260746		SPRING, Throttle Return
153	230531		SCREW
153	298031		SCREW -(Carburetor Lever)
153	93177		SCREW -(Bell Crank)
153	93342		SCREW
154	93527		SCREW -(5-40 X 5/8)
155	220107		LEVER, Speed Adjuster
156A	220949		LEVER, Control -For 220952 Lever-Speed Adjuster, see Ref. No. 256
156	222955		LEVER, Control
201	260898		LINK, Choke
202	260563		LINK, Throttle -Used only on Mechanical Governor
203	297069		CRANK, Bell
205	230671		SCREW -(Bell Crank)
209A	260041		SPRING, Governor -Used After Code Date 6602111

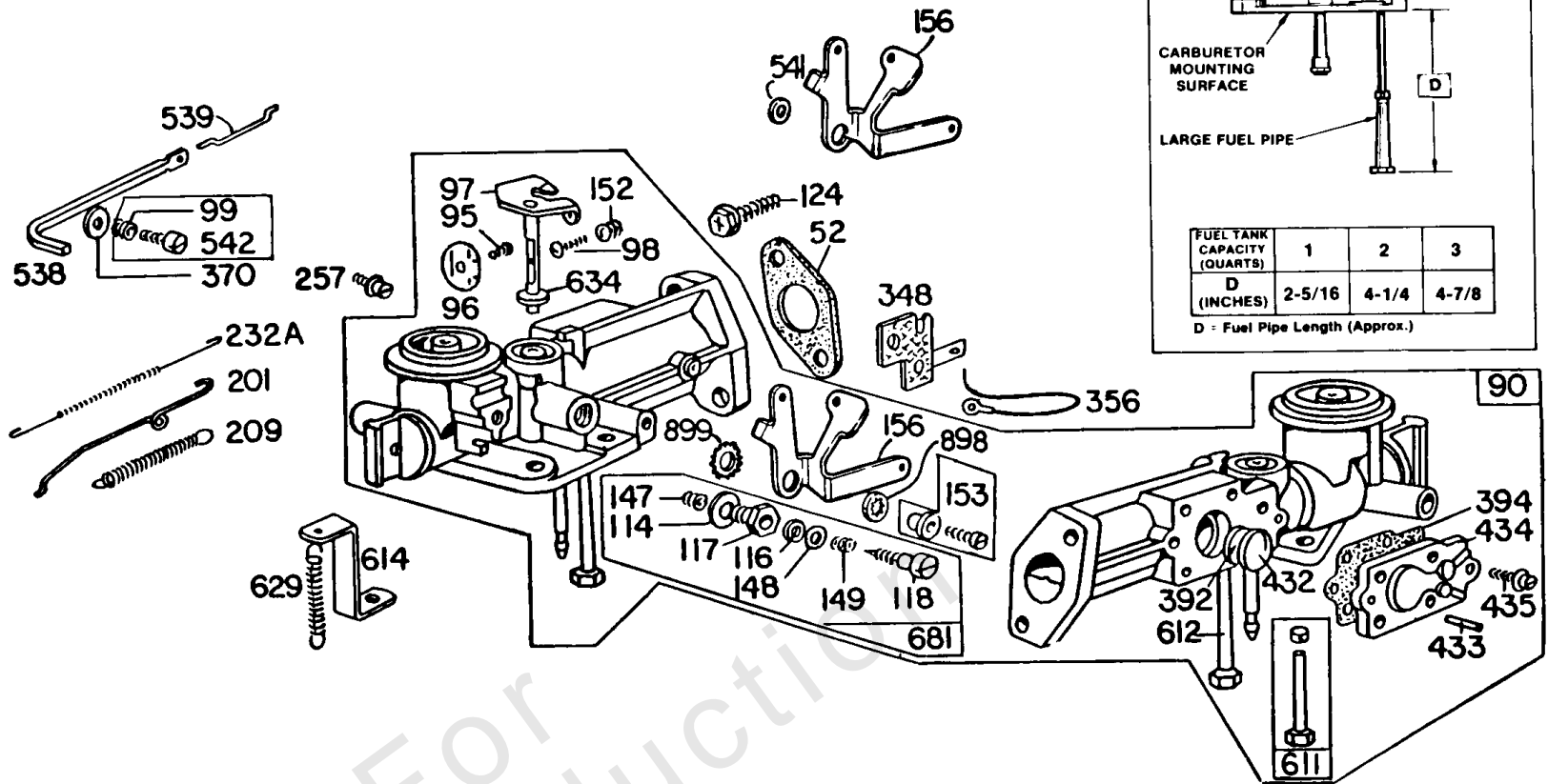
### Footnotes:

on cables molded into ignition coil  
Do Not Use with 260898 Gov. Link (Ref. 201)

## (2) Side Pull Carburetors

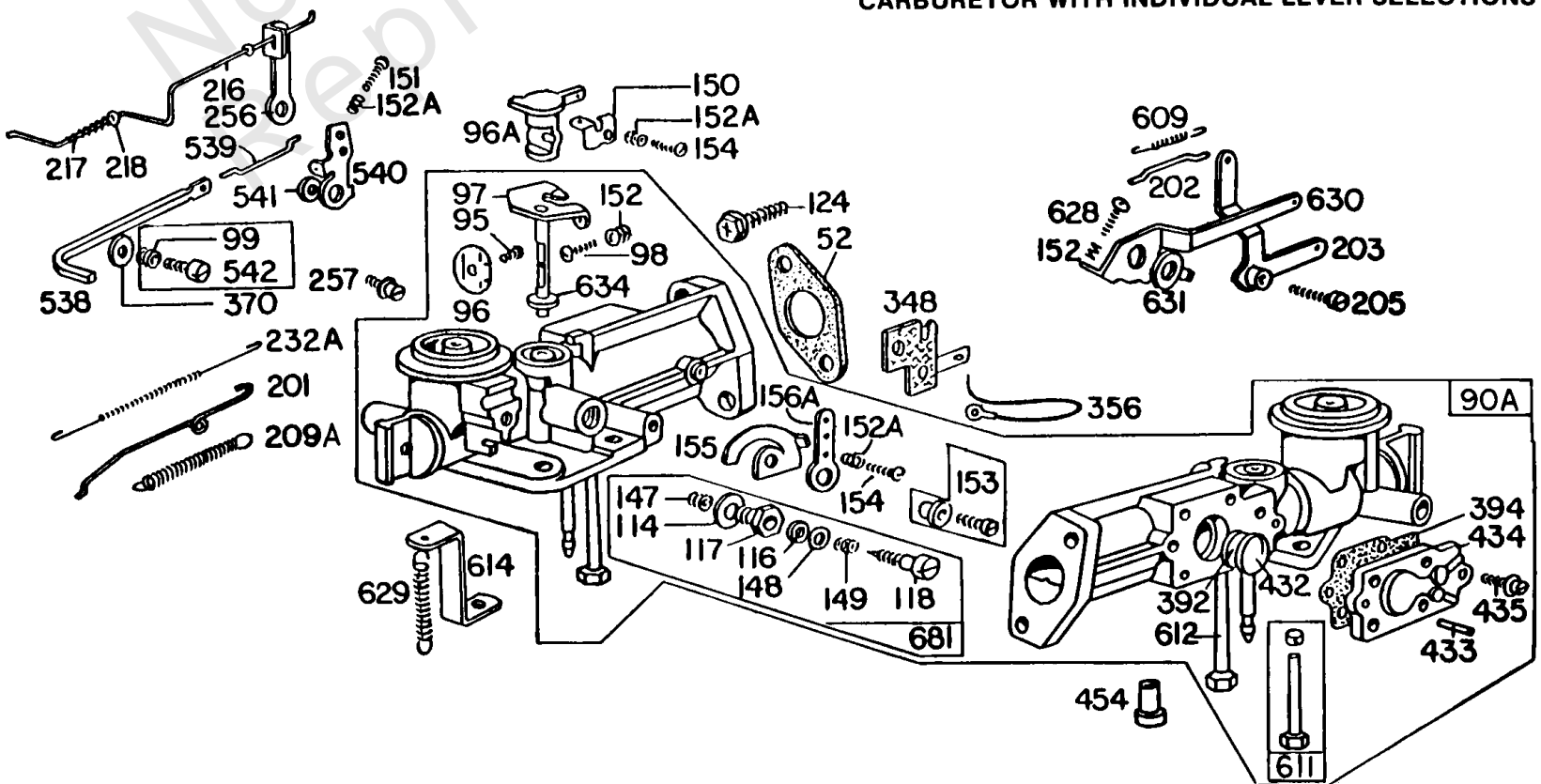
Mfg. No: 080232-1025-99

### CARBURETOR WITH MULTI-PURPOSE SPEED ADJUSTER LEVER



GENERAL NOTE: WHEN ORIGINAL CARBURETOR DOES NOT MATCH THE ABOVE ILLUSTRATION (REF. 90), ORDER PARTS FROM LOWER ILLUSTRATION (REF. 90A).

### CARBURETOR WITH INDIVIDUAL LEVER SELECTIONS





## (2) Side Pull Carburetors

REF NO	PART NO	QTY	DESCRIPTION
209	260041		SPRING, Governor
216	260449		LINK, Choke
217	260189		SPRING, Friction
218	221198		WASHER
232A	260585		SPRING/LINK, Mechanical Governor -Used Before Code Date 6602121
256	220952		LEVER, Speed Adjuster
257	93105		SCREW
257	93543		SCREW -(10-32 X 3/8)
348	296110		SWITCH, Stop
356	296185		WIRE, Stop
356	391115		WIRE, Stop
370	66432		WASHER
392	260455		SPRING, Pump Diaphragm
394	270026		DIAPHRAGM, Carburetor
432	221377		CAP, Spring
433	93265		PIN, Locating
434	210959		COVER, Diaphragm
435	93141		SCREW -(Diaphragm Cover)
454	296178		FILTER, Fuel -(3/16 O.D. Brass Pipe)
454	393768		TUBE, Pick Up -(1/8 O.D. Brass Pipe)
538	260683		ROD, Control -(Square Rod) For Round Wire Rod order: 260560 Rod-Speed Control
539	260684		LINK, Mechanical Governor -(Square Rod)
540	220678		LEVER, Control
541	22398		WASHER
542	221372		CLIP, Control Rod -Used only with Round Wire Control Rod
542	393586		SCREW/SPRING, Governor Speed
542	93686		SCREW -(10-32 X 5/8)
609	260564		SPRING, Throttle Return -Used on Mechanical Governor
611	391813		TUBE-PICK UP -(2 And 3 Quart Tanks)
612	296811		TUBE, Pick Up
614	221384		BRACKET, Rod
628	93149		SCREW -(5-40 X 3/8)
629	260546		SPRING, Throttle Return -(Throttle Return)
630	221425		CONTROL, Throttle
631	221427		WASHER -(Throttle)
634	270167		SEAL, Choke/Throttle Shaft -(Felt)
681	299060		VALVE, High Speed -(Threaded)

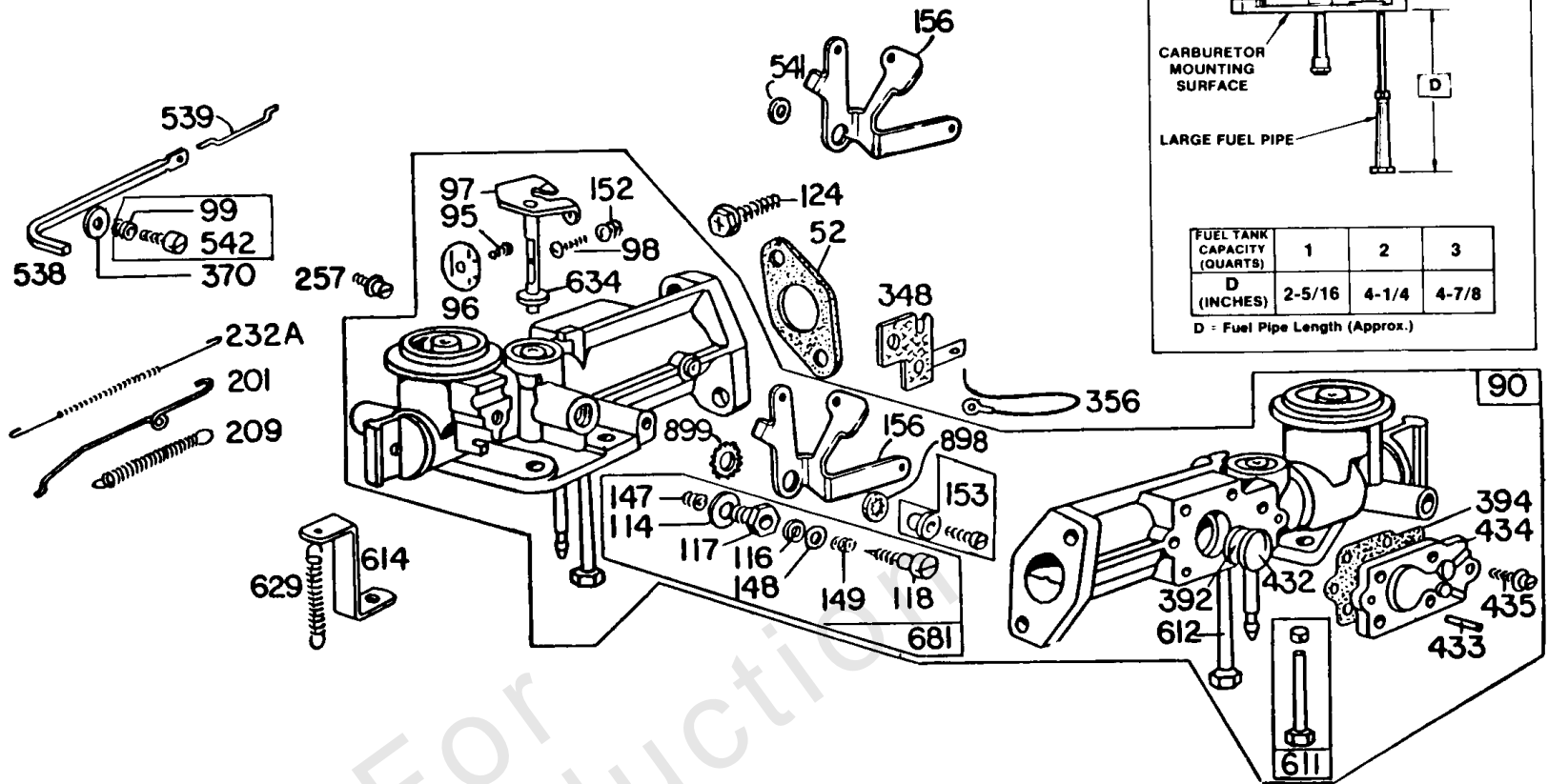
### Footnotes:

on cables molded into ignition coil  
Do Not Use with 260898 Gov. Link (Ref. 201)

## (2) Side Pull Carburetors

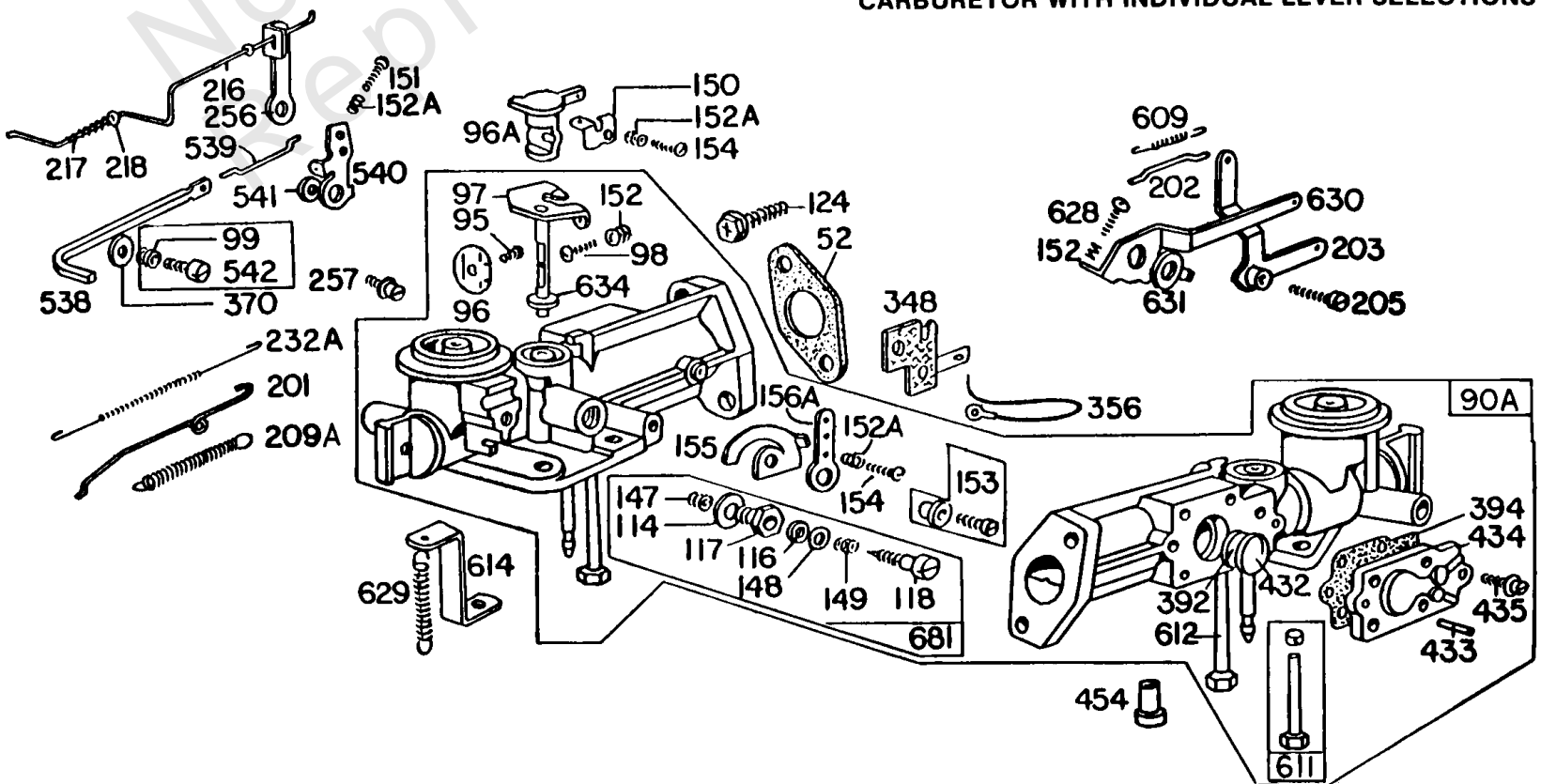
Mfg. No: 080232-1025-99

### CARBURETOR WITH MULTI-PURPOSE SPEED ADJUSTER LEVER



GENERAL NOTE: WHEN ORIGINAL CARBURETOR DOES NOT MATCH THE ABOVE ILLUSTRATION (REF. 90), ORDER PARTS FROM LOWER ILLUSTRATION (REF. 90A).

### CARBURETOR WITH INDIVIDUAL LEVER SELECTIONS



**(2) Side Pull Carburetors**

---

REF NO	PART NO	QTY	DESCRIPTION
898	92507		WASHER
899	93397		WASHER

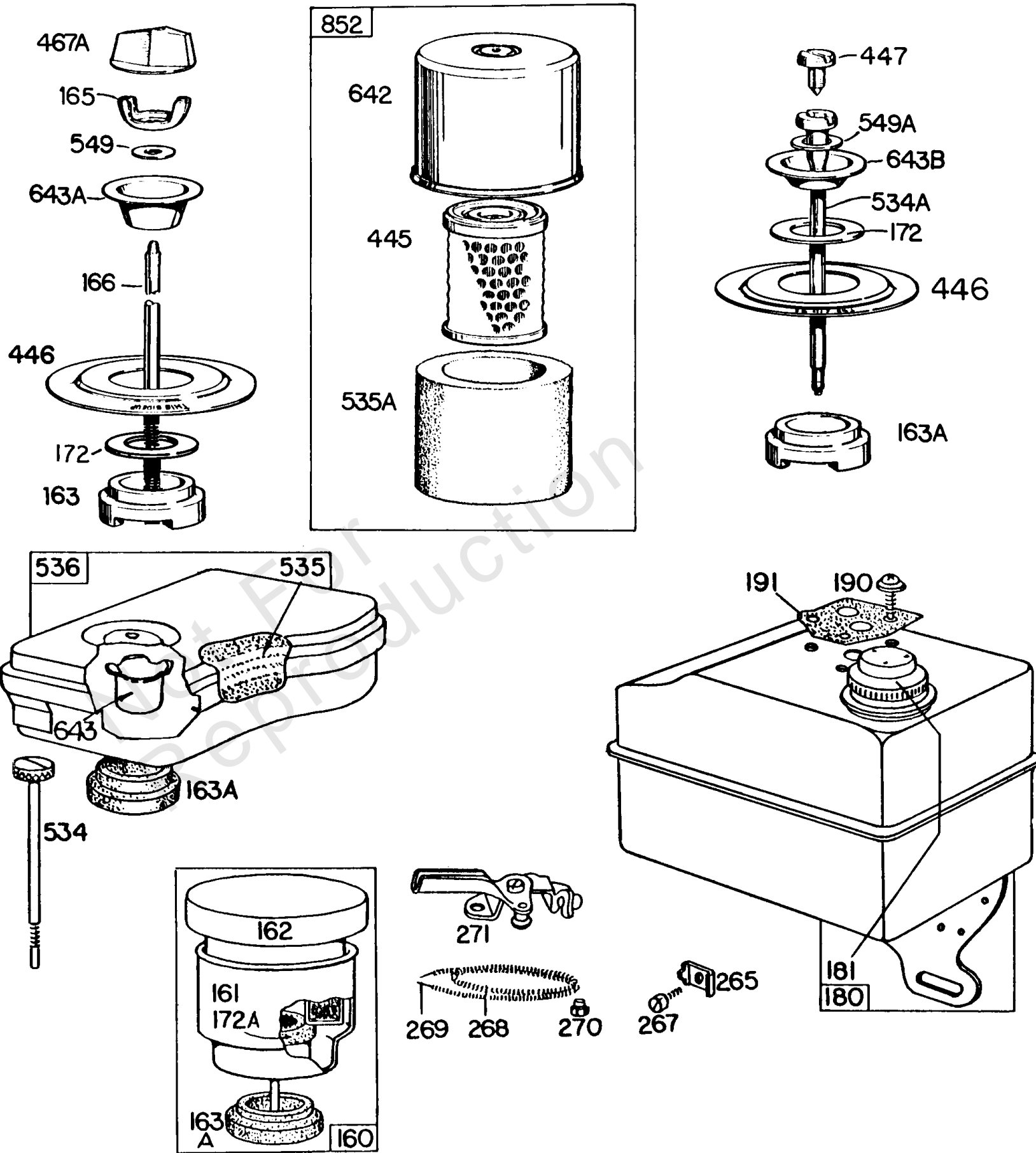
---

Not For  
Reproduction

---

**Footnotes:**

on cables molded into ignition coil  
Do Not Use with 260898 Gov. Link (Ref. 201)

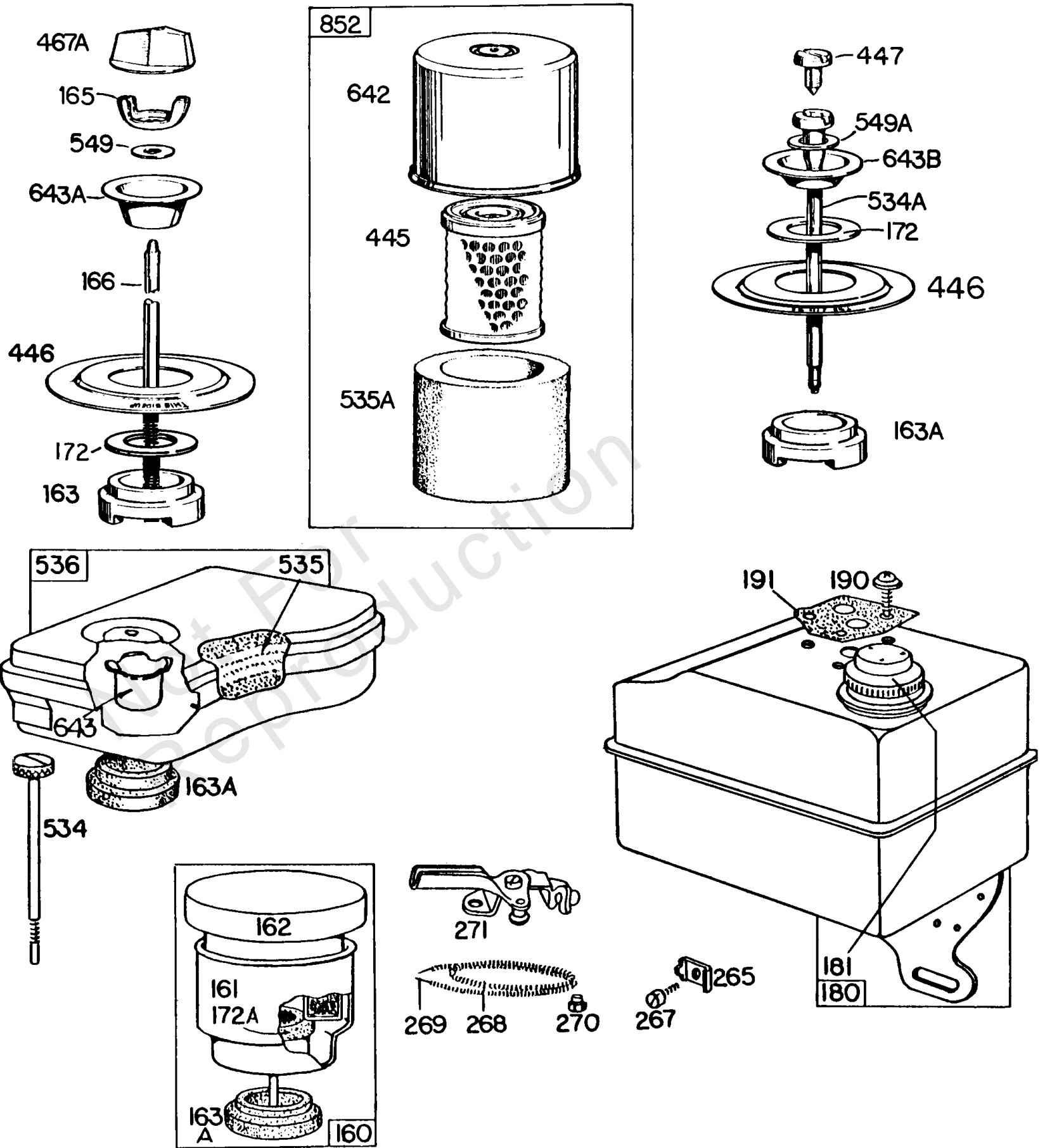


## Air Cleaner Grps, Fuel Tank

REF NO	PART NO	QTY	DESCRIPTION
160	294870		CLEANER, Air -(With Mounting Stud)
161	293991		CLEANER, Air
162	294861		COVER, Air Cleaner -(With Mounting Stud)
163A	27660		GASKET, Air Cleaner
163	270488		GASKET, Air Cleaner -(Yellow)
165	93856		NUT -(10-32)
166	231176		STUD -(Air Cleaner) (3/16)
172A	27795		GASKET, Air Cleaner -(Air Cleaner)
172	271077		SPACER, Air Cleaner
180	296591		TANK, Fuel -(2 Quart Tank)
181	298425		CAP, Fuel Tank -(Metal)
190	93440		SCREW
191	27911		GASKET, Fuel Tank -(Pull Choke) Engines using 3 Quart tank Nos. 296592, and 391353 require (2) gaskets. Included in Gasket Set-Part No. 297275
265	221370		CLAMP, Casing
267	93496		SCREW -(10-32 X 5/8)
268	66986		CASING, Control Wire -(Cut To Required Length)
269	26099		WIRE, Control -(Cut To Required Length) If longer wire is needed, specify length in inches; if shorter wire is needed order No. 26099 and cut to required length.
270	63426		NUT -(Control Wire Casing)
271	290568		LEVER, Control
445	392308		FILTER, A/C Cartridge
446	222844		BASE, Air Cleaner
447	93913		SCREW
467A	212293		KNOB, Choke Shaft
534A	93818		SCREW -(Air Cleaner)
534	230058		STUD -(Air Cleaner)
534	230741		STUD -(Air Cleaner)
534	93322		SCREW -(1 15/16)
534	93568		SCREW -(Air Cleaner)
535A	270979		FILTER, Air Cleaner Foam
535	27987		FILTER, Air Cleaner Foam
535	390492		FILTER, A/C Cartridge -Uses: 390588 Cover-Air Cleaner 221969 Support-Air Cleaner
536	296766		CLEANER, Air
549A	270978		WASHER -(Below Internal Screw Head)

### Footnotes:

on cables molded into ignition coil  
Do Not Use with 260898 Gov. Link (Ref. 201)



## *Air Cleaner Grps, Fuel Tank*

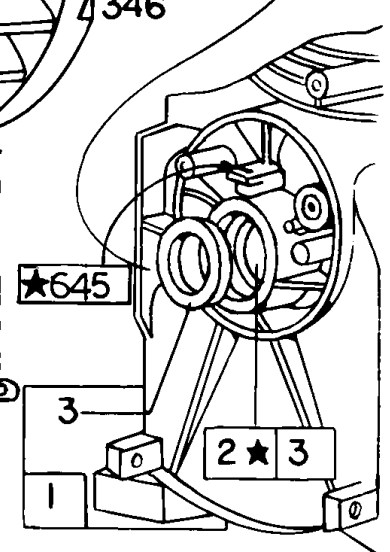
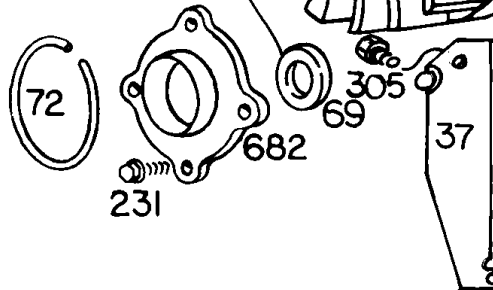
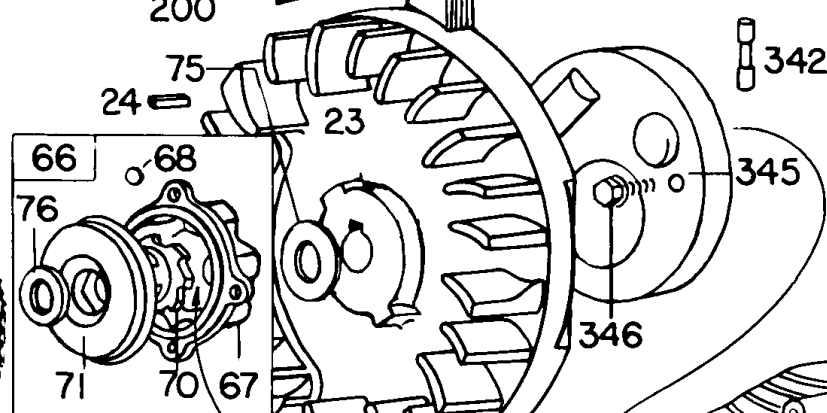
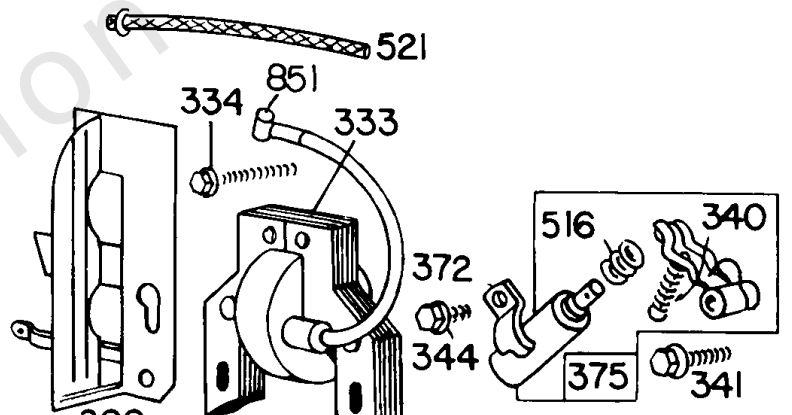
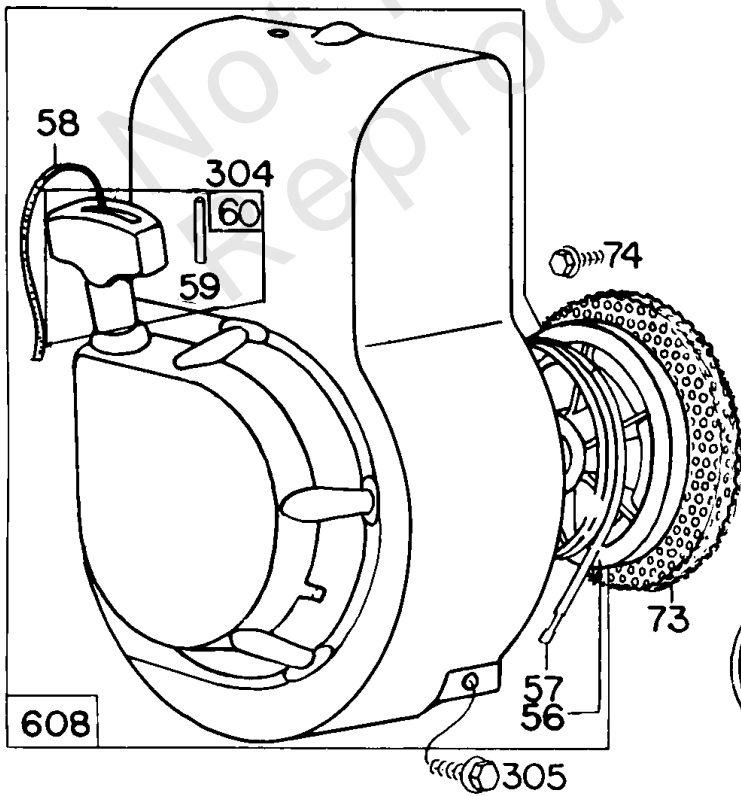
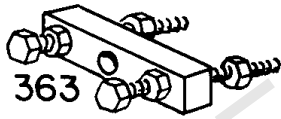
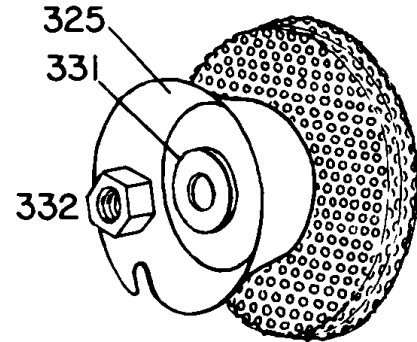
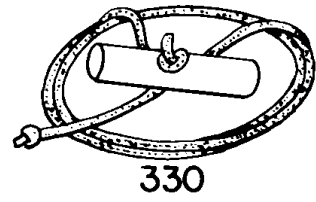
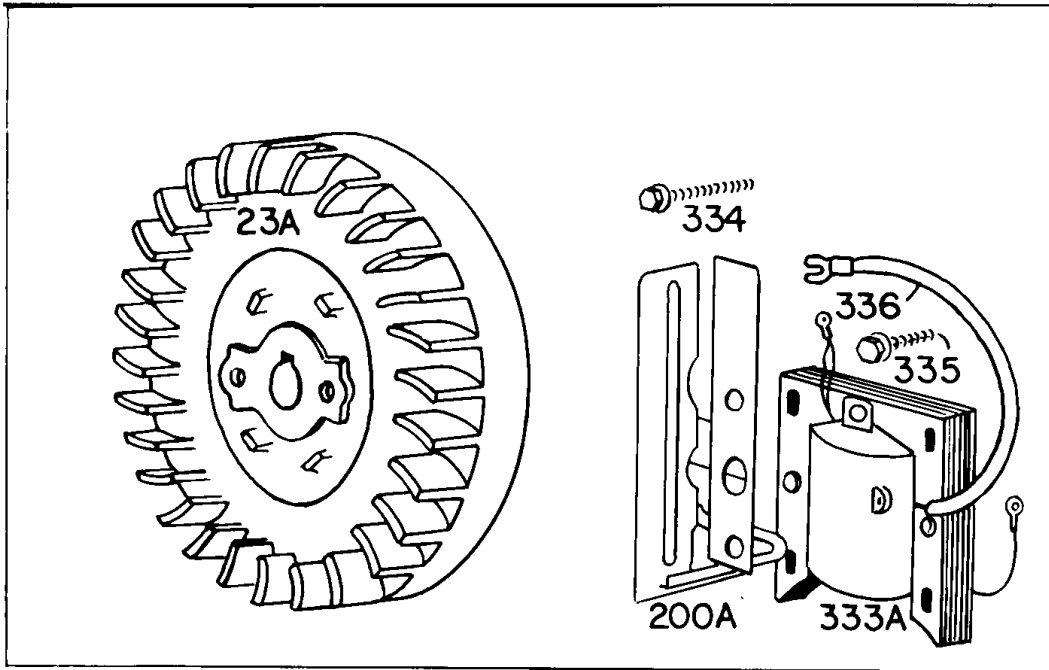
REF NO	PART NO	QTY	DESCRIPTION
549	271118		WASHER
642	222626		COVER, Air Cleaner
643B	222594		SUPPORT, Foam Element -(1/4 Deep)
643A	222845		SUPPORT, Foam Element -(1/2 Deep)
643	222991		CUP, Air Cleaner
852	392368		CLEANER, Air -Dual Element Air Cleaner Kit Part No. 393018

Not For  
Reproduction

---

**Footnotes:**

on cables molded into ignition coil  
Do Not Use with 260898 Gov. Link (Ref. 201)



**\*REQUIRES SPECIAL TOOLS TO INSTALL**

SEE REPAIR INSTRUCTION MANUAL

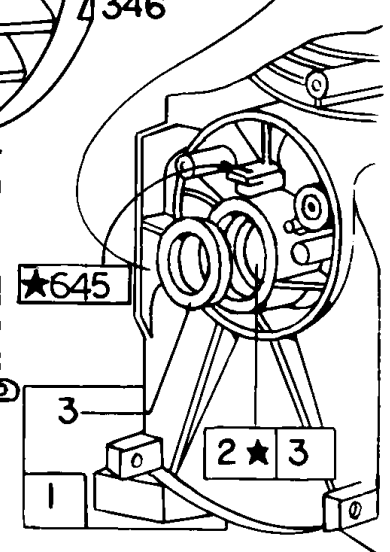
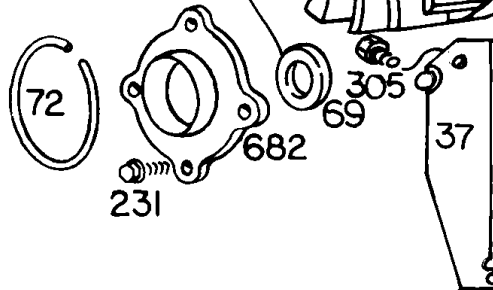
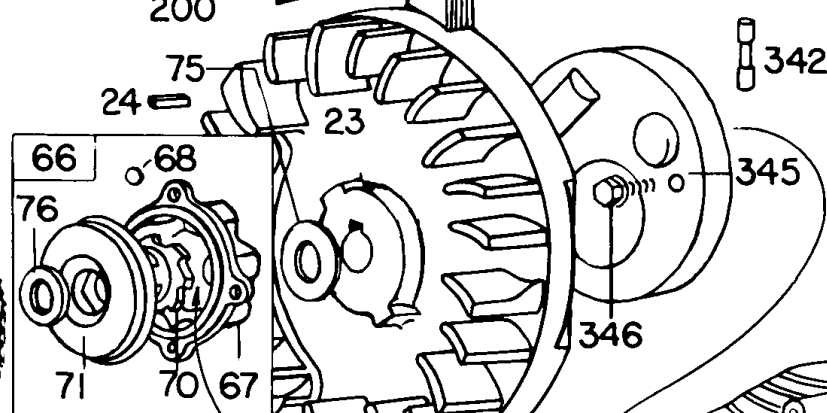
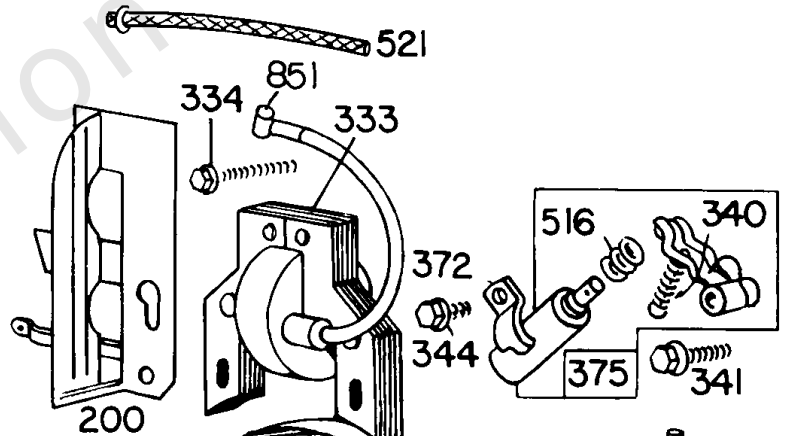
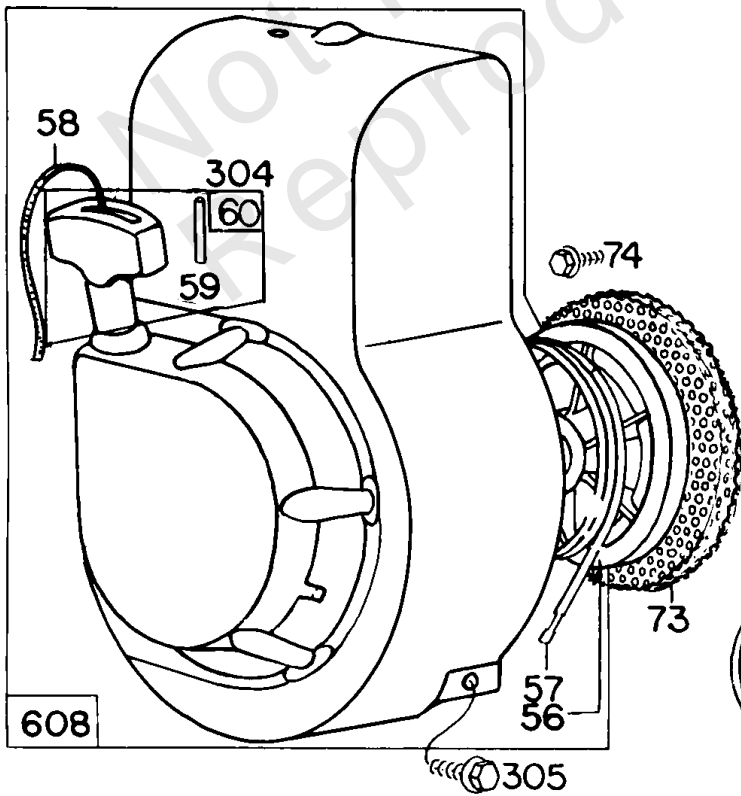
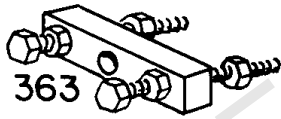
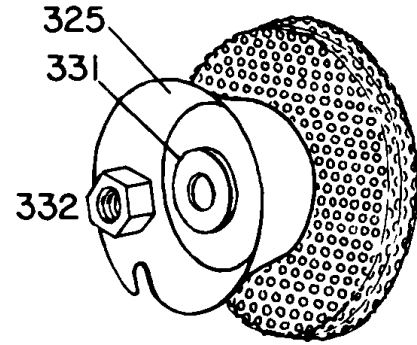
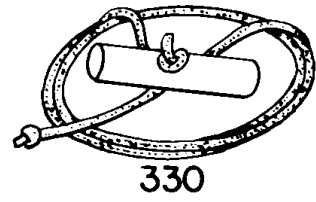
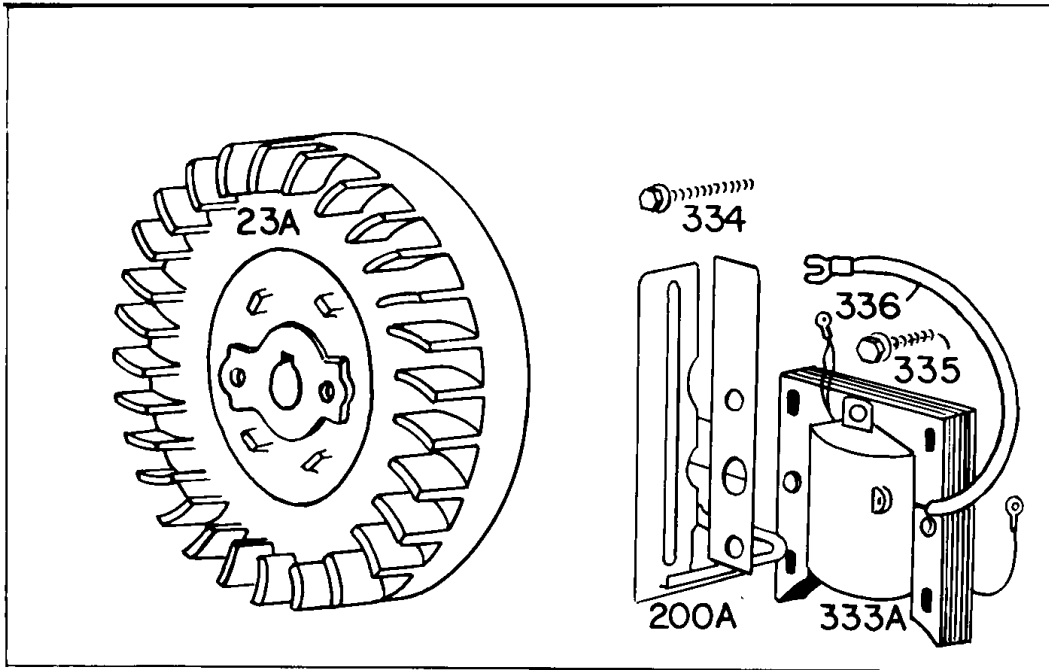


## BlowerHsg,Rewind,Flywheels

REF NO	PART NO	QTY	DESCRIPTION
1	296561		CYLINDER ASSEMBLY
2	293708		KIT, Bushing/Seal -(Plain Bearing)
3	299819		SEAL, Oil -(Plain Bearing)
23A	295936		FLYWHEEL -Used Before Code Date 6212310
23	296884		FLYWHEEL -Used After Code Date 6212310
24	61760		KEY, Flywheel -(Breaker Ignition)
37	220971		GUARD, Flywheel
56	280117		PULLEY, Rope Starter -Used After Code Date 6506301
56	294088		PULLEY, Starter -Used Before Code Date 6507011
57	294303		SPRING, Rewind Starter
58	395022		GRIP, Starter Rope -(47-1/8) If longer rope is needed, order No. 66684 or No. 66514 and cut to required length. -Used After Code Date 6506301 and Before Code Date 6507011
58	66694		ROPE, Starter -(47-1/8) -Used After Code Date 6506301
59	230228		PIN, Starter Grip
60	393152		GRIP-STARTER ROPE
61	68618		BUMPER, Starter Pulley -(Used with Steel Pulley only)
66	298310		CLUTCH, Starter -(Rewind Starter) -Used After Code Date 6405220
67	210400		HOUSING, Clutch -Used Before Code Date 6405250
67	212131		HOUSING, Clutch -Used After Code Date 6405220
68	63770		BALL, Clutch
69	66718		WASHER -(1-1/16 O.D. X 17/32 I.D.) (1 1/16 O.D. X 17/32 I.D.)
70	296597		RATCHET, Clutch -Used Before Code Date 6405250
70	298436		RATCHET, Clutch -Used After Code Date 6405220
71	221301		WASHER -Used Before Code Date 6405220
71	221653		WASHER -Used After Code Date 6405220
72	26032		RETAINER -Used Before Code Date 6405220
73	220648		SCREEN, Rotating -Used Before Code Date 6405250
73	221661		SCREEN, Rotating -(Rewind Starter) -Used After Code Date 6405220
74	93490		SCREW -(Rotating Screen)

### Footnotes:

on cables molded into ignition coil  
Do Not Use with 260898 Gov. Link (Ref. 201)  
Only on Mechanical Governor



**\*REQUIRES SPECIAL TOOLS TO INSTALL**

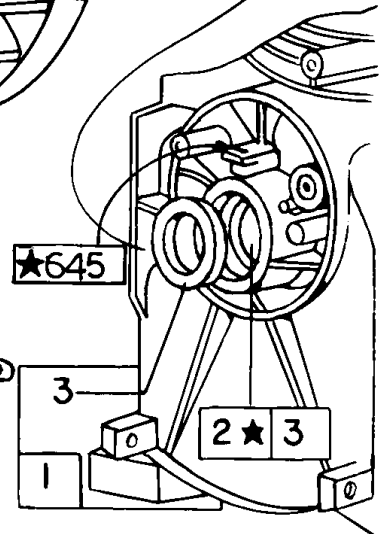
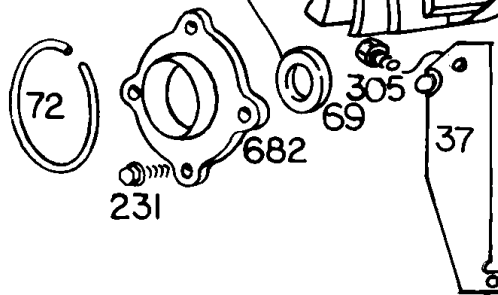
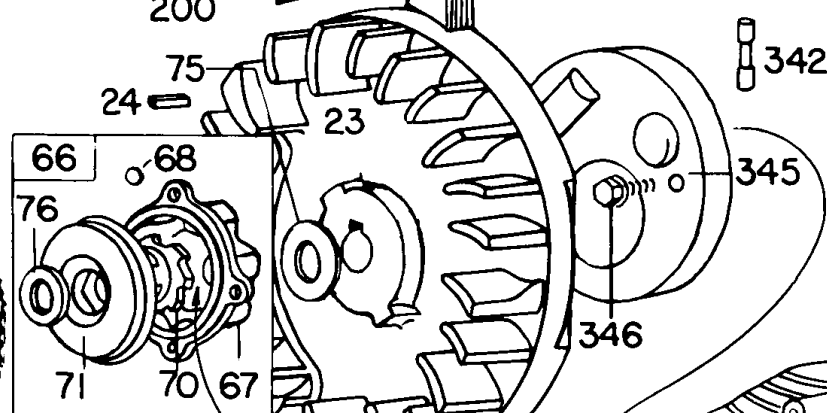
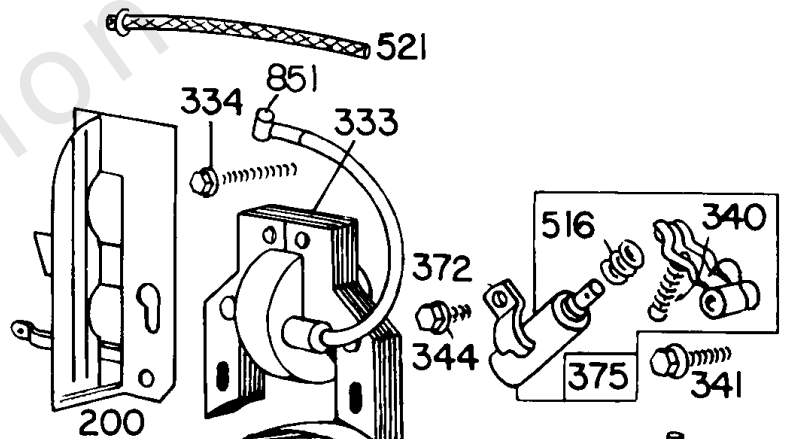
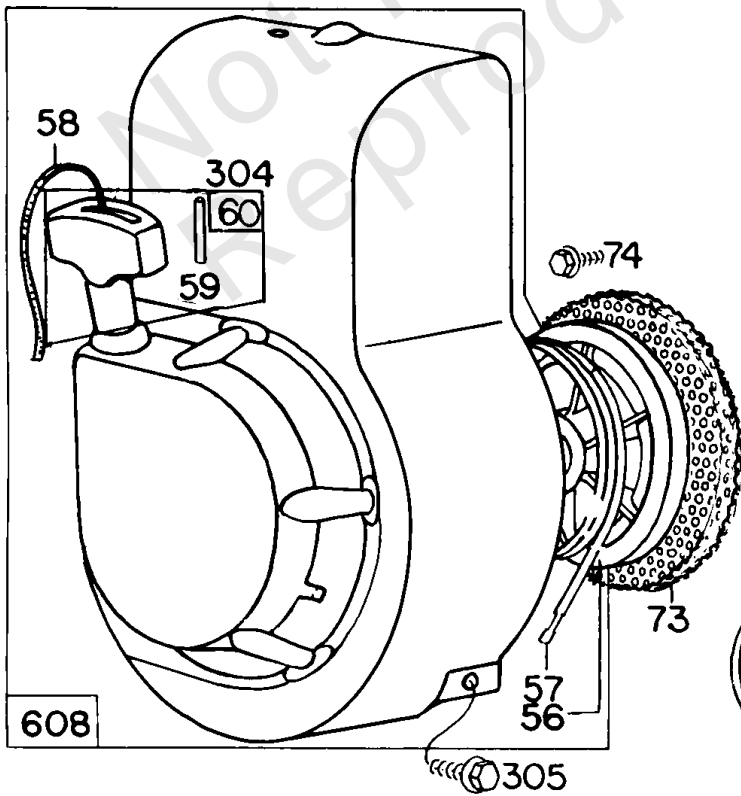
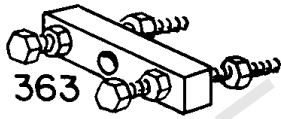
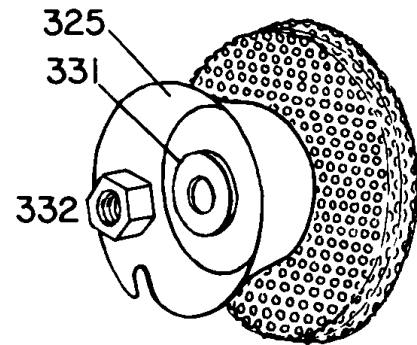
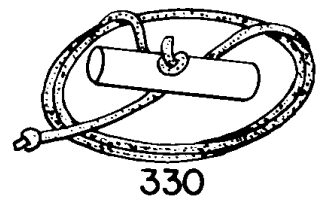
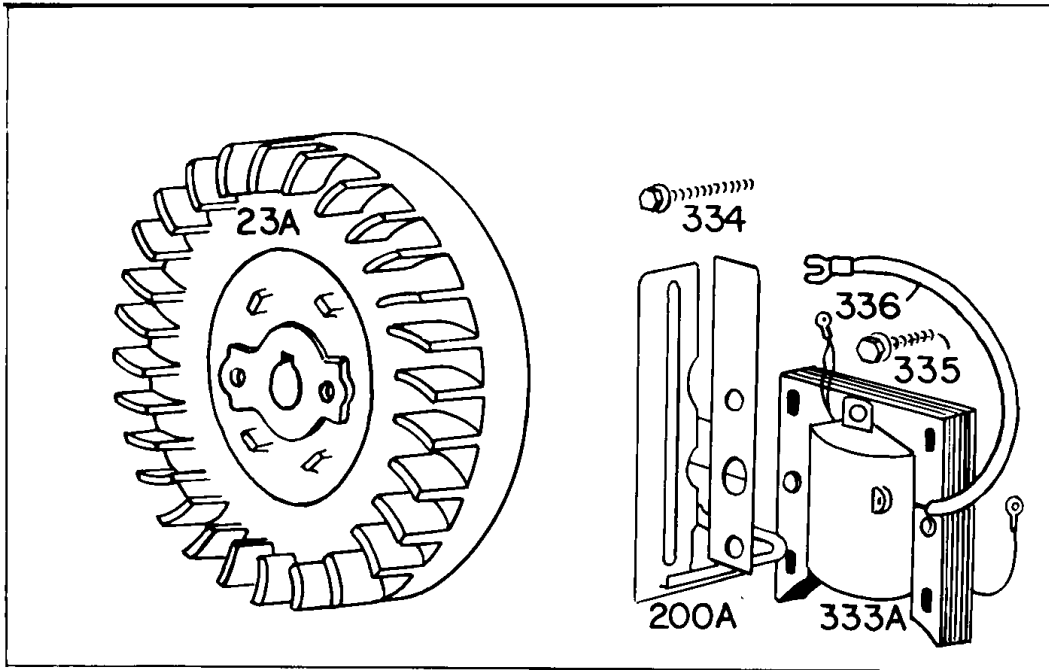
SEE REPAIR INSTRUCTION MANUAL

## BlowerHsg,Rewind,Flywheels

REF NO	PART NO	QTY	DESCRIPTION
75	220865		WASHER -(Heavy Flywheel)
76	68238		SEAL, Ratchet -Used After Code Date 6405220
200A	220692		GUIDE, Air -Used Before Code Date 6212310
200A	294298		BLADE, Governor -Used Before Code Date 6212310
200	221456		GUIDE, Air -Used Before Code Date 6212310
200	297310		BLADE, Governor -Used After Code Date 6212310
231	93064		SCREW
304	-----		No Nomenclature -For Type Nos. Not listed below, see Ref. No. 608
305	93158		SCREW -(1/4-20 X 5/8)
325	293959		PULLEY, Rope Starter -(1/2 Hole In Pulley) For Pulley with Screen with 5/8 hole in Pulley-order No. 298731
330	395022		GRIP, Starter Rope -(47-1/8)
331	62577		WASHER -(1/2 Hole) For Washer with 5/8 Hole-Order No. 220865
332	91708		NUT -(1/2-20 L.H. Thread) For Flywheel Nut with 5/8-18 right hand thread-order No. 92284
333A	291617		ARMATURE, Magneto -Used Before Code Date 6212310
333	298502		ARMATURE, Magneto -(Points And Condenser) -Used After Code Date 6212310
334	93381		SCREW
335	93381		SCREW
336	292149		CABLE, Ignition -(Standard)
340	26018		SPRING, Breaker Arm
341	93381		SCREW
342	65704		PLUNGER, Breaker
344	93042		SCREW
345	220366		COVER, Breaker
346	93705		SCREW -(8-32 X 3/8)
363	19069		PULLER, Flywheel
372	220477		CLAMP
375	294628		BREAKER, Ignition
375	299061		BREAKER, Ignition -Includes: 294628 Point Set 65704 Plunger 61760 Key-Flywheel
516	260374		SPRING, Condensor
608	294259		HOUSING, Blower -(10 O'clock)
645	23513		BUSHING, Plunger -(Used only with Breaker Point Ignition)

### Footnotes:

on cables molded into ignition coil  
Do Not Use with 260898 Gov. Link (Ref. 201)  
Only on Mechanical Governor



**\*REQUIRES SPECIAL TOOLS TO INSTALL**

SEE REPAIR INSTRUCTION MANUAL

## *BlowerHsg,Rewind,Flywheels*

---

REF NO	PART NO	QTY	DESCRIPTION
682	211516		SHIELD, Starter
851	221798		TERMINAL, Spark Plug

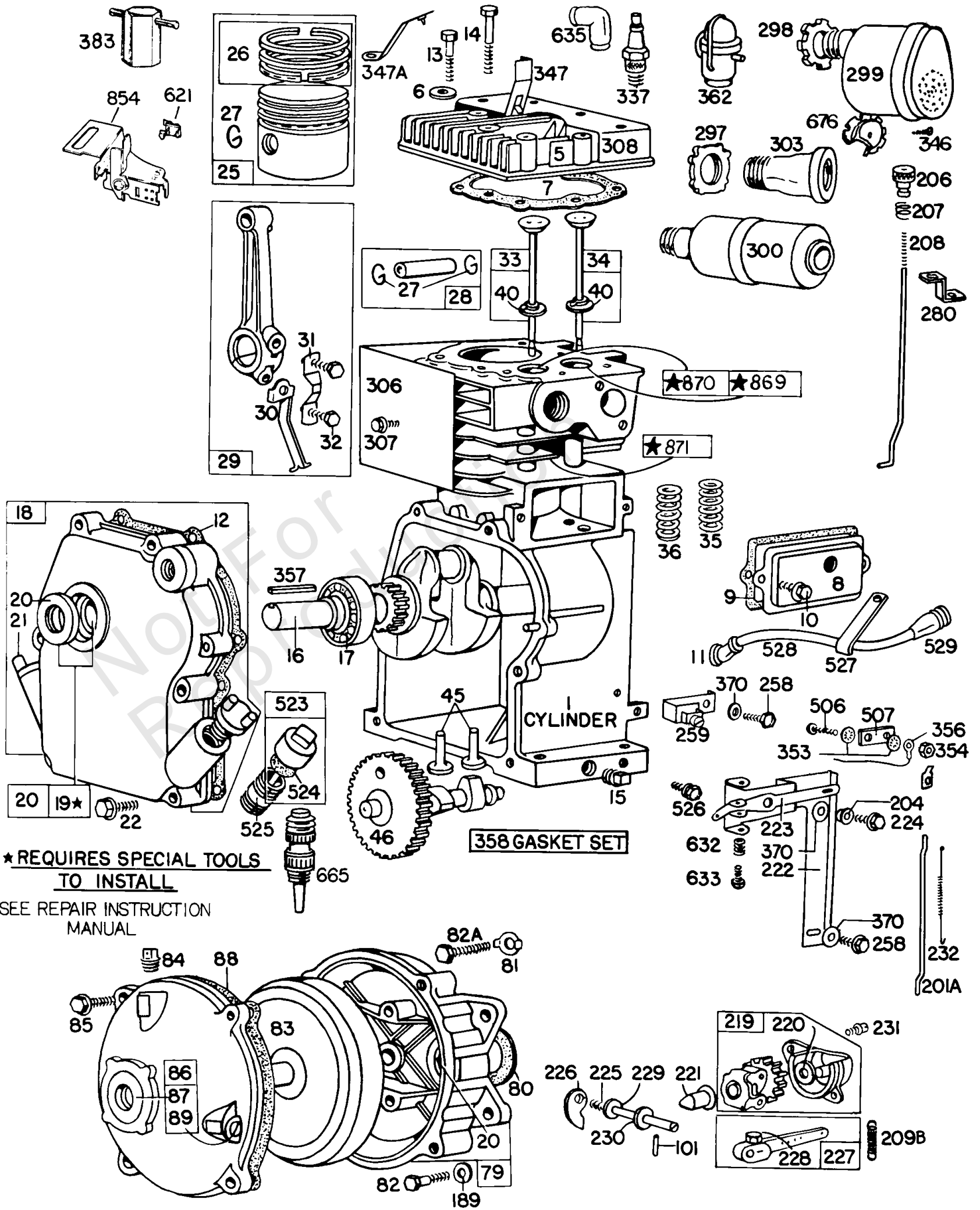
---

Not For  
Reproduction

---

**Footnotes:**

on cables molded into ignition coil  
Do Not Use with 260898 Gov. Link (Ref. 201)  
Only on Mechanical Governor



★ REQUIRES SPECIAL TOOLS TO INSTALL  
SEE REPAIR INSTRUCTION MANUAL

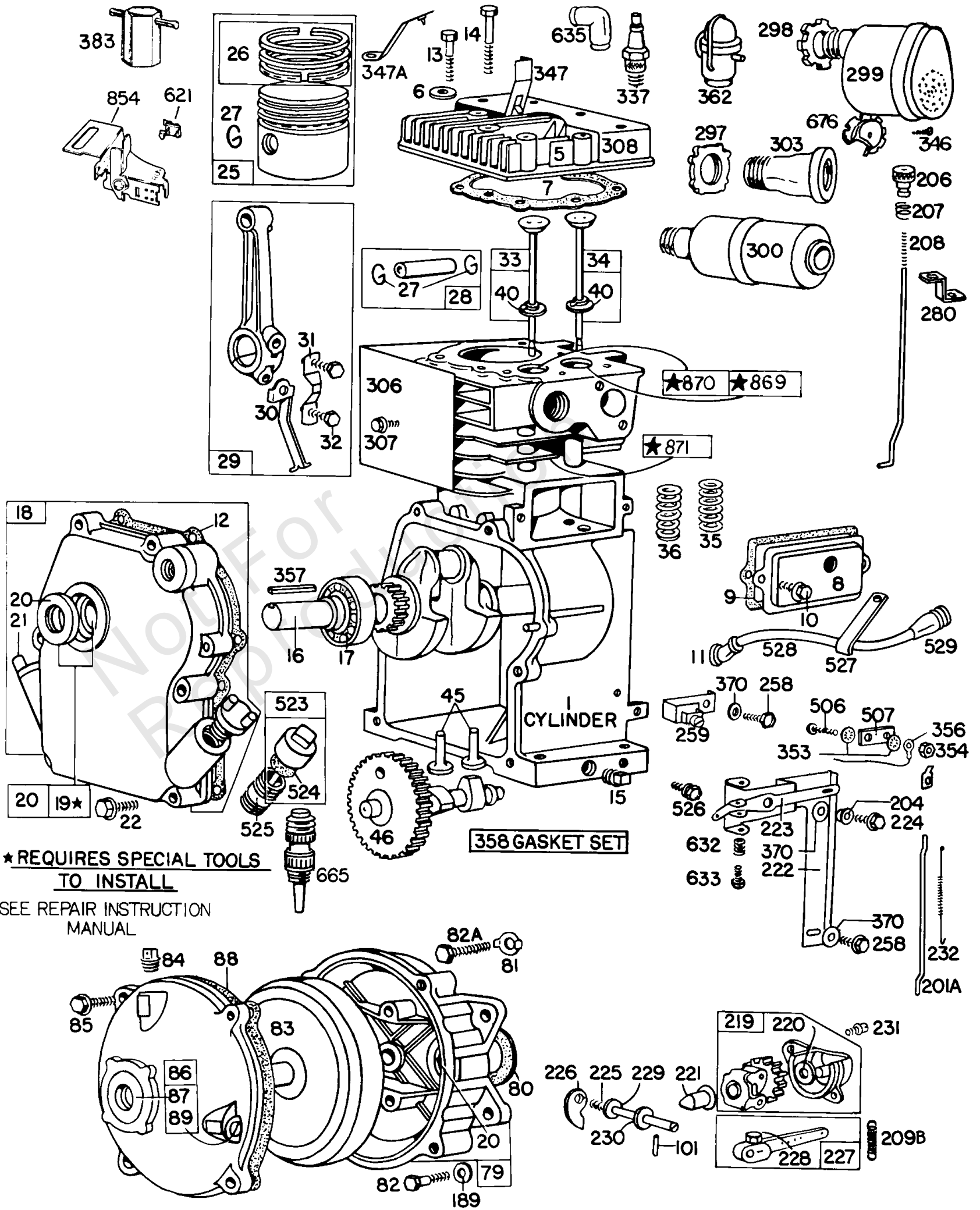
358 GASKET SET

## Cyl, Gear Case, Muffler, Piston

REF NO	PART NO	QTY	DESCRIPTION
1	296561		CYLINDER ASSEMBLY
5	210812		HEAD, Cylinder
6	22963		WASHER
7	27670		GASKET, Cylinder Head -Included in Gasket Set-Part No. 297275
8	294178		COVER, Breather Passage
9	27549		GASKET, Rocker Cover -Included in Gasket Set-Part No. 297275
10	93394		SCREW
11	66578		TUBE, Breather
12	270833		GASKET, Crankcase -(.015) Included in Gasket Set-Part No. 297275
12	270895		GASKET, Crankcase -(.005)
12	270896		GASKET, Crankcase -(.009) Included in Gasket Set-Part No. 297275
13	93111		SCREW -(15/16)
13	93583		STUD -(Cylinder Head)
14	93113		SCREW -(2 5/16) (2-5/16)
14	93583		STUD -(Cylinder Head)
15	91249		PLUG, Oil Drain -(1/4 Square)
16	260932		CRANKSHAFT
16	261128		CRANKSHAFT
17	99158		BEARING-BALL
18	298511		COVER, Crankcase -Used Before Code Date 81120900
18	392975		COVER, Crankcase -Used Before Code Date 81120900
18	394820		COVER, Crankcase -(Plain Bearing) -Used After Code Date 81120800
18	394879		COVER, Crankcase -Used After Code Date 81120800
18	394909		COVER, Crankcase -Used After Code Date 81120800
19	293708		KIT, Bushing/Seal -(Plain Bearing)
20	299819		SEAL, Oil -(Plain Bearing)
21	66768		PLUG, Oil
22	93032		SCREW -(Fuel Tank) (Tank)
22	93656		STUD
25	295587		PISTON ASSEMBLY -(Standard)
25	295588		PISTON ASSEMBLY -(2-3/8 Bore)
25	295589		PISTON ASSEMBLY -(2-3/8 Bore)

### Footnotes:

on cables molded into ignition coil  
Do Not Use with 260898 Gov. Link (Ref. 201)



★ REQUIRES SPECIAL TOOLS TO INSTALL  
SEE REPAIR INSTRUCTION MANUAL

358 GASKET SET

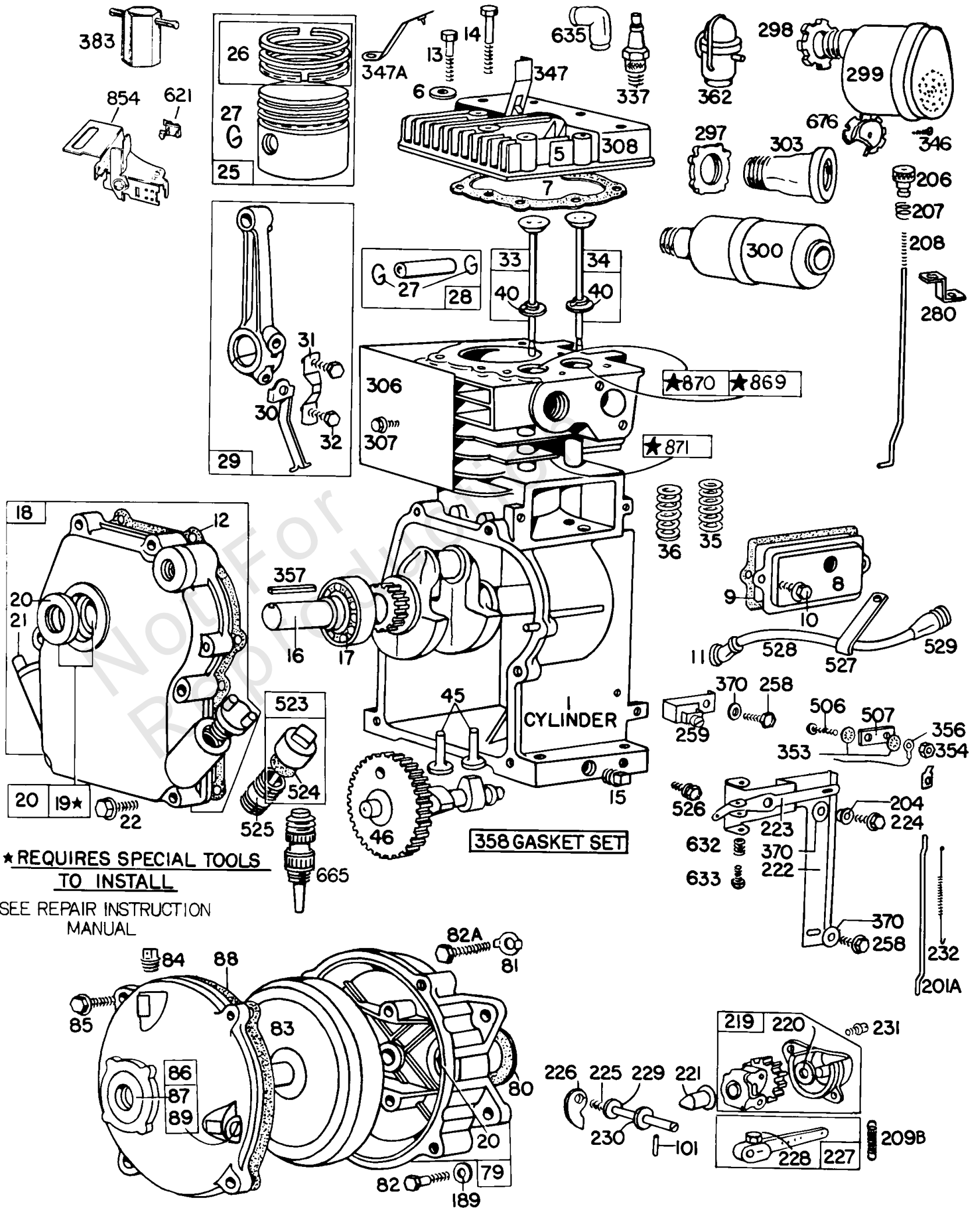


## Cyl, Gear Case, Muffler, Piston

REF NO	PART NO	QTY	DESCRIPTION
25	295590		PISTON ASSEMBLY -(2-3/8 Bore)
26	294224		SET, Ring -(.010 Oversize)
26	294225		SET, Ring -(.020 Oversize)
26	294226		SET, Ring -(.030 Oversize)
26	294232		SET, Ring -(Standard)
26	297201		SET, Ring -(Standard)
27	26026		LOCK, Piston Pin
28	298908		PIN, Piston -(.005 Oversize)
28	298909		PIN, Piston
29	294367		ROD, Connecting -For Connecting Rod with .020 undersize Crankpin Bore-order No. 296079
30	220670		DIPPER, Connecting Rod
31	220756		LOCK, Rod Screw
32	92296		SCREW -(Connecting Rod)
33	296676		VALVE, Exhaust -(Grooved Stem-Includes Retainer)
34	296677		VALVE, Intake -(Grooved stem-includes Retainer)
35	260552		SPRING, Valve -(Exhaust)
36	26478		SPRING, Valve -(Exhaust)
40	230126		PIN, Retainer
40	23184		RETAINER, Valve
40	23187		PIN, Locating -(Use with valves with hole in stem except with rotocap)
40	292259		RETAINER, Valve -(Exhaust)
40	93312		RETAINER, Valve -(Valves With Groove In Stem)
45	230173		TAPPET, Valve
46	210453		CAMSHAFT
79	290779		CASE, Gear Reduction
80	27667		GASKET, Gear Case
81	220234		LOCK, Muffler Screw
82A	92279		SCREW -(5/16-24 X 1/2)
82	91541		SCREW -(5/16-24 X 7/8)
84	92617		SCREW -(Gear Case)
85	92747		SCREW -(Used on Two Top Holes to Mount Cover)
87	19011		SEAL, Oil
88	27313		GASKET, Gear Cover/Housing

### Footnotes:

on cables molded into ignition coil  
Do Not Use with 260898 Gov. Link (Ref. 201)



★ REQUIRES SPECIAL TOOLS TO INSTALL  
SEE REPAIR INSTRUCTION MANUAL

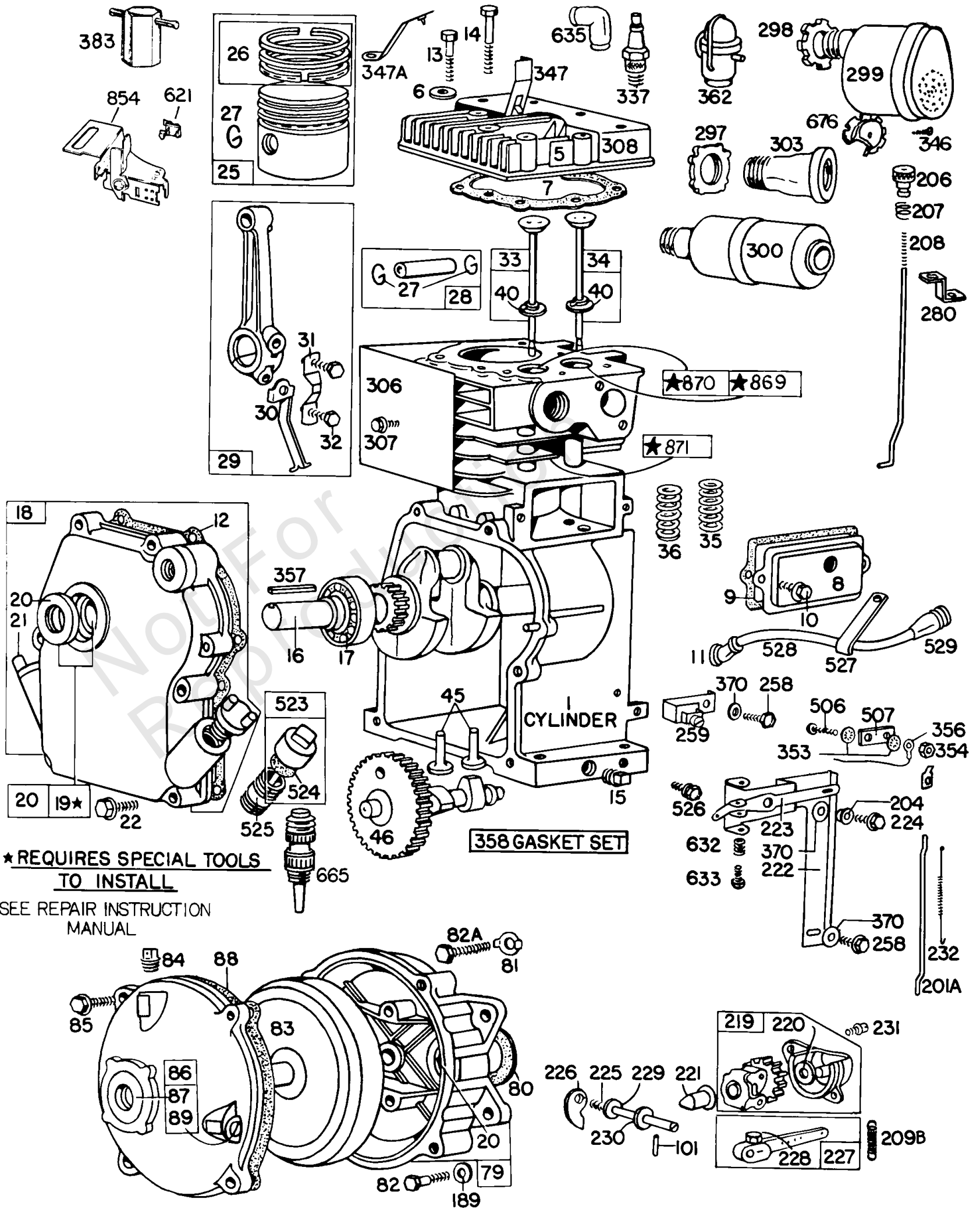
358 GASKET SET

## Cyl, Gear Case, Muffler, Piston

REF NO	PART NO	QTY	DESCRIPTION
89	92015		PLUG, Oil Drain -(1/8 Standard) -Used Before Code Date 6304180
89	93448		PLUG, Oil Drain -(Flush) (1/4-18 NPTF) -Used After Code Date 6304170
101	93043		PIN, Shaft
189	90366		WASHER
201A	260565		LINK, Choke -Used only on Mechanical Governor
204	23688		LEVER, Governor Control -(With 3/8 Dia. Flange)
206	230149		NUT, Governor Adjusting -(5-44)
207	26855		SPRING, Governor Link
208	230680		ROD, Control
209B	260546		SPRING, Throttle Return -(Throttle Return) Used only on Mechanical Governor
219	296688		GEAR, Governor
220	221361		WASHER, Thrust -(.030 Thick) (.030)
221	230177		CUP, Governor
222	220691		BRACKET, Control -(Mechanical Governor)
223	221389		LEVER, Governor Control
224	93067		SCREW -(3/8)
225	230181		SHAFT, Governor Gear
226	220381		CRANK, Governor
227	296087		LEVER, Governor Control
228	93100		SCREW -(Governor Lever)
229	220680		WASHER
230	22868		WASHER
231	93064		SCREW
232	260478		SPRING/LINK, Mechanical Governor
258	93062		SCREW
259	294502		BRACKET, Control
280	221384		BRACKET, Rod
297	91811		LOCKNUT -(Elbow)
298	220859		LOCKNUT -(Muffler and Elbow)
299	392811		MUFFLER -(Lo Tone)
299	394781		MUFFLER -Uses: 93606 Screw (Guard to Muffler Mounting) 62199 Washer (Guard to Bracket) 93873 Screw (Guard to Bracket Mounting)
300	89966		MUFFLER
303	91838		ELBOW, Exhaust -(45 Degree Street)
306	220478		SHIELD, Cylinder
307	93490		SCREW -(Rotating Screen)

### Footnotes:

on cables molded into ignition coil  
Do Not Use with 260898 Gov. Link (Ref. 201)



★ REQUIRES SPECIAL TOOLS TO INSTALL

SEE REPAIR INSTRUCTION MANUAL

358 GASKET SET

## Cyl, Gear Case, Muffler, Piston

REF NO	PART NO	QTY	DESCRIPTION
337	293918		PLUG, Spark
346	93705		SCREW -(8-32 X 3/8)
347A	298926		SWITCH, Spark Plug Stop
347	220884		SWITCH, Stop
347	221808		SWITCH, Stop
353	92791		WASHER
354	90576		NUT -(Ground Terminal)
356	296185		WIRE, Stop
356	391115		WIRE, Stop
357	91539		KEY, Drive Pulley -(3/16 Square)
358	297275		GASKET SET, Engine -(Used with Rotary Choke Carburetors)
362	291630		SHIELD, Spark Plug -(With Stop Switch)
370	66432		WASHER
383	89838		WRENCH, Spark Plug
506	90200		SCREW -(8-32 X 1/2)
507	66895		INSULATOR
523	69345		CAP, Oil Fill
524	65304		SEAL, O-Ring -(Dipstick Cap)
525	91258		TUBE, Dipstick -(2 1/2) Use 394884 Adaptor-Oil Filler with Nipple
526	93343		SCREW -(Control Panel)
527	221279		CLAMP, Tube -(Pull Choke)
528	230634		TUBE, Breather -(Pull Choke)
529	67608		GROMMET -(Used with Pull Choke Carburetors)
621	297472		SWITCH, Stop
632	260575		SPRING, Throttle Return
633	93364		SCREW
635	66538		BOOT, Spark Plug
665	298858		MINDER, Oil
676	393760		DEFLECTOR, Muffler
854	392884		BRACKET, Stopswitch
869	210879		SEAT, Valve -(Intake)
870	211291		SEAT, Valve -(Exhaust)
871	63709		BUSHING, Valve Guide -(Intake)

### Footnotes:

on cables molded into ignition coil  
Do Not Use with 260898 Gov. Link (Ref. 201)

## Replacement Engine - US & Canada

REF NO	PART NO	QTY	DESCRIPTION
	831320035	1	Replacement Engine
	-----		Top No-Load Speed: 4000 -Trim: ALL
	-----		Service Note: If the replacement engine supersedes to or is a Model 83100 series engine, refer to the illustrations located after the conversion data for this model series. The overall dimensions which differ, are shown in the illustrations.
	-----		Service Note: If after making a visual inspection and it is determined that the Model 83100 series engine cannot be used because of equipment interference, the engine should be repaired with a short block and/or individual parts.
	-----		Service Note: Replacement engine listed is not available in the State of California. Repair with individual parts.
	-----		Service Note: For all Go-Karts use only a Model 136200 series engine as a replacement, regardless of the original Model.

Not For Reproduction

