



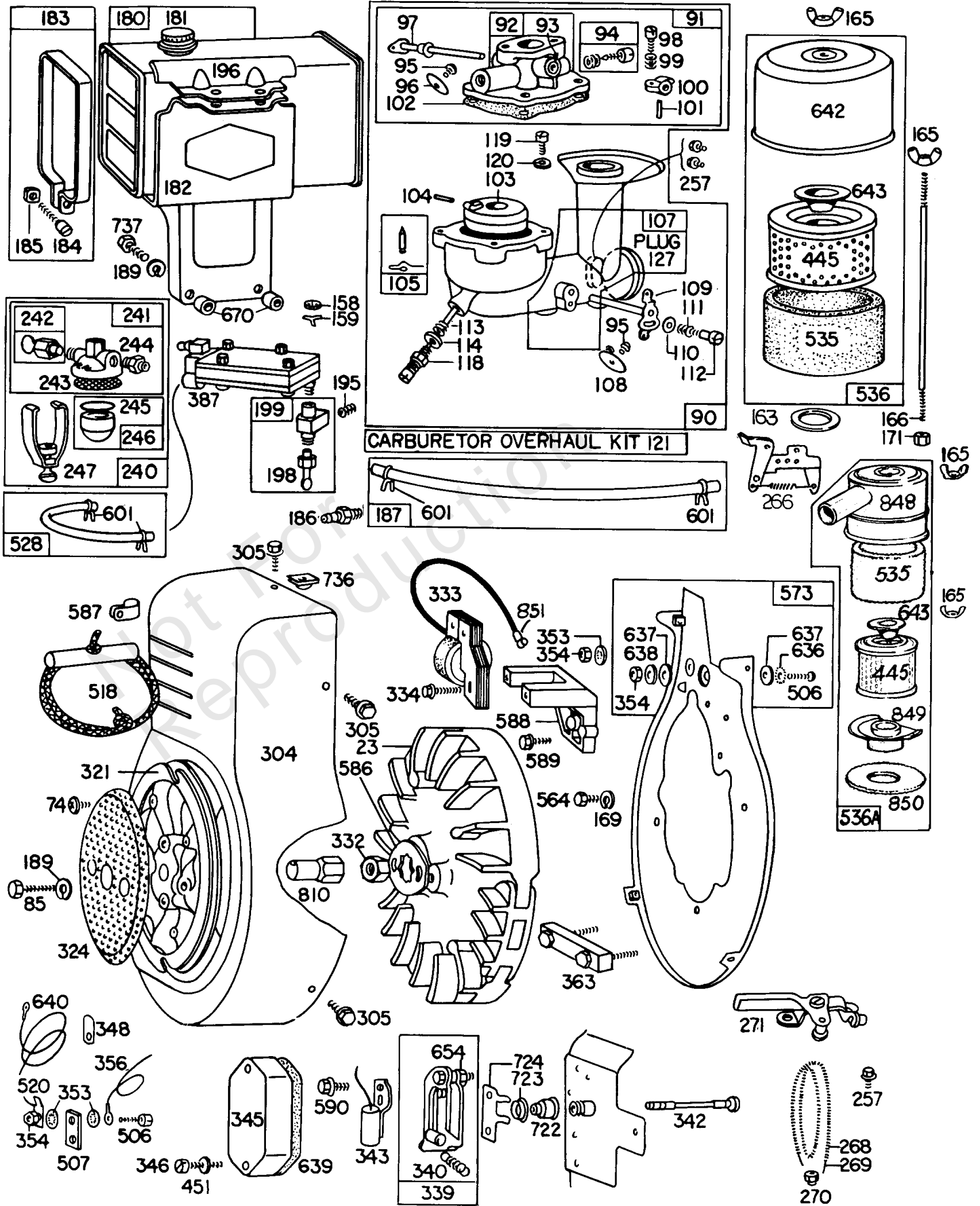
# Parts Manual

Mfg. No: 302437-0145-99



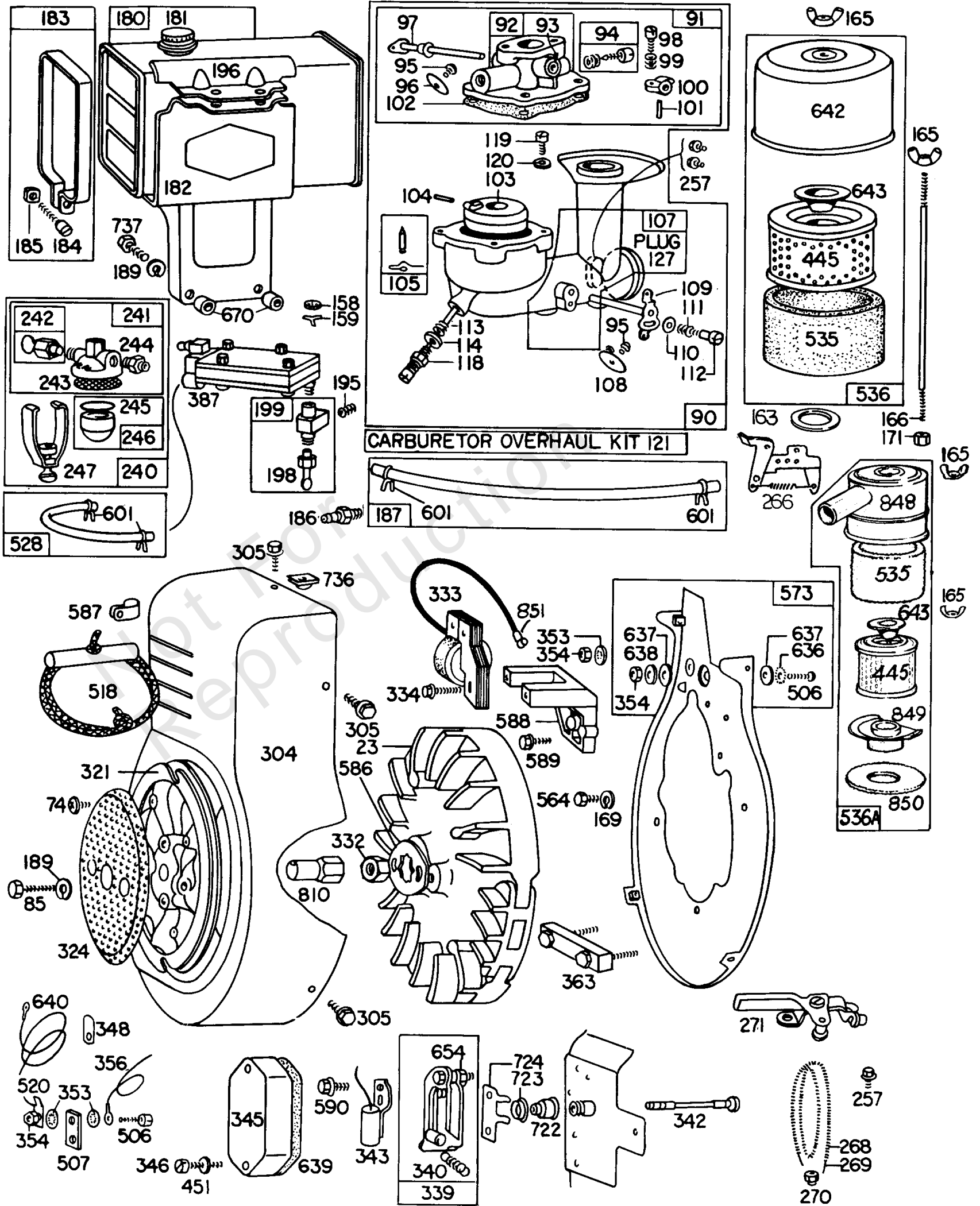
<b>Model Components</b>	<b>Page</b>
Carb,A/C,Blower Hsg,FuelTank.....	4
Cylinder,Piston,Gears,Oil.....	12
Electric Starters,Rewind.....	20
Replacement Engine - US & Canada.....	26
Model 29, 30, 35 & 38 Engine Accessories Catalog.....	27
Maintenance Kits.....	28
Lubrication.....	30
Starter Motor Side Outlet Mufflers.....	32
Oil Filter Side Outlet Mufflers.....	34
Oil Filter Side Outlet Manifolds.....	36
Starter Motor Side Outlet Manifolds.....	38
Mufflers.....	40
Center Outlet Mufflers.....	42
Muffler Guards and Shields.....	44
Spark Arrestors and Deflectors.....	46
Muffler Mounting Hardware.....	48
Flywheel and Air Intake Guards.....	50
PTO.....	52
Electrical.....	54
Speed Control.....	56

Not For  
Reproduction



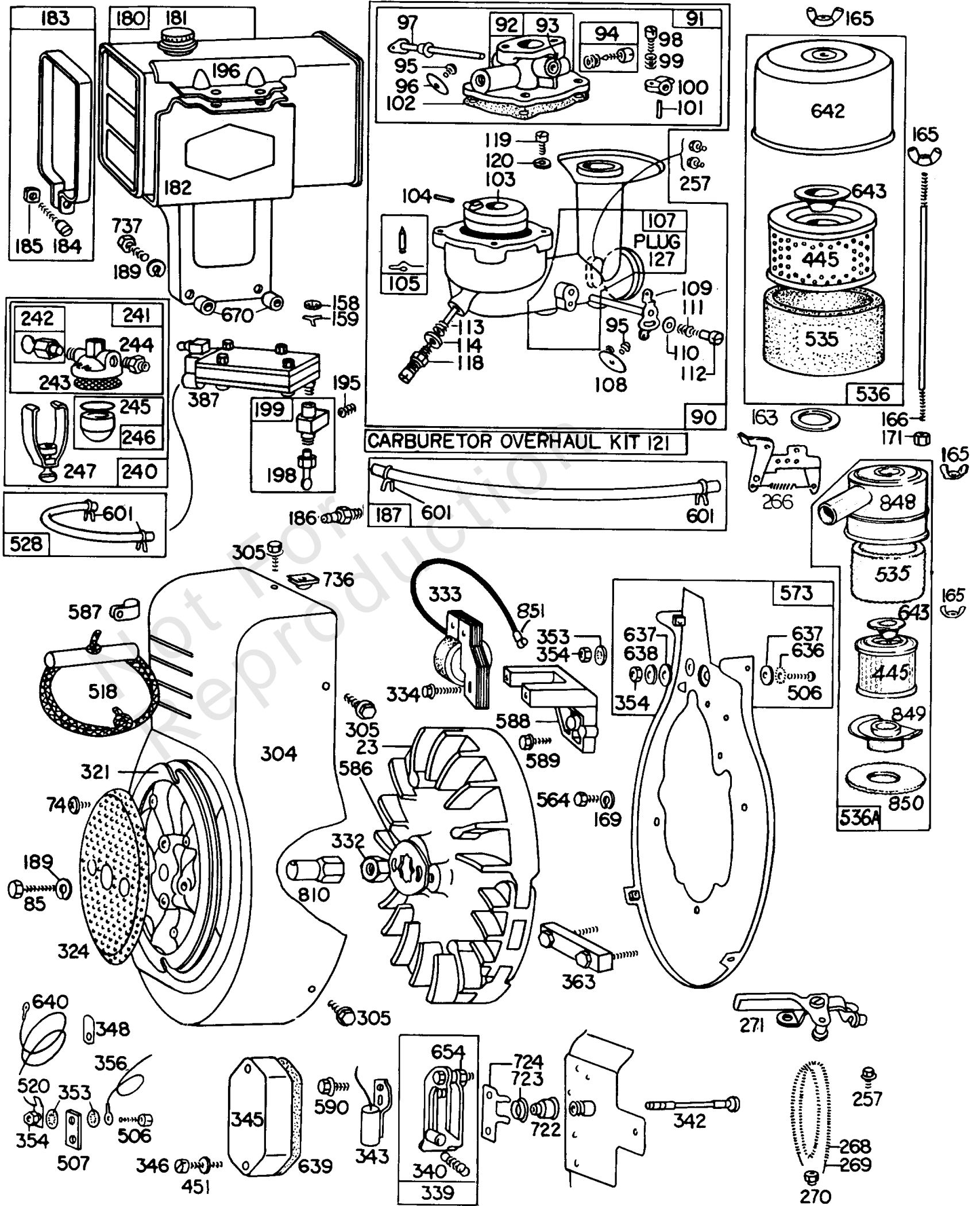
## Carb,A/C,Blower Hsg,FuelTank

REF NO	PART NO	QTY	DESCRIPTION
23	391363		FLYWHEEL -(10 Amp)
74	93521		SCREW
85	91386		SCREW -(2)
90	391068		CARBURETOR
91	391067		BODY, Upper Carburetor
92	390998		BODY, Upper Carburetor
93	23108		BUSHING, Throttle Shaft
94	292681		VALVE, Idle Mixture -Included in Carburetor Overhaul Kit-Part No. 391071
95	93038		SCREW -(Throttle Valve)
96	221939		VALVE, Throttle
97	298535		SHAFT, Throttle
98	91920		SCREW -(8-32 X 5/8)
99	26157		SPRING, Compression
100	61967		STOP, Throttle
101	93043		PIN, Shaft
102	270268		GASKET, Carburetor Body -Included in Carburetor Overhaul Kit-Part No. 391071
103	298514		FLOAT, Carburetor
104	230896		PIN, Float Hinge -Included in Carburetor Overhaul Kit-Part No. 391071
105	299096		KIT, Needle/Seat -Included in Carburetor Overhaul Kit-Part No. 391071
107	391069		BODY, Lower Carburetor
108	390936		VALVE, Choke
109	298622		SHAFT, Choke
110	62899		WASHER -(Thermostat)
111	26155		SPRING, Friction
112	23123		SCREW
113	390950		NOZZLE, Carburetor -Included in Carburetor Overhaul Kit-Part No. 391071
114	68667		WASHER -(Viton Seat) Included in Carburetor Overhaul Kit-Part No. 391071
118	99525		VALVE, High Speed -Included in Carburetor Overhaul Kit-Part No. 391071
119	90746		SCREW -(10-32 X 5/8)
120	92290		WASHER
121	391071		KIT, Carburetor Overhaul
127	221747		PLUG, Welch -Included in Carburetor Overhaul Kit-Part No. 391071
158	27590		PLUG, Carburetor Filter/Drain
159	220521		RETAINER, Carburetor Drain
163	67247		GASKET, Air Cleaner -(Air Cleaner)
165	93453		NUT
166	231007		STUD -(Air Cleaner)
169	90832		SCREW -(Blower Housing)
171	92129		NUT -(1/4-28)



## Carb,A/C,Blower Hsg,FuelTank

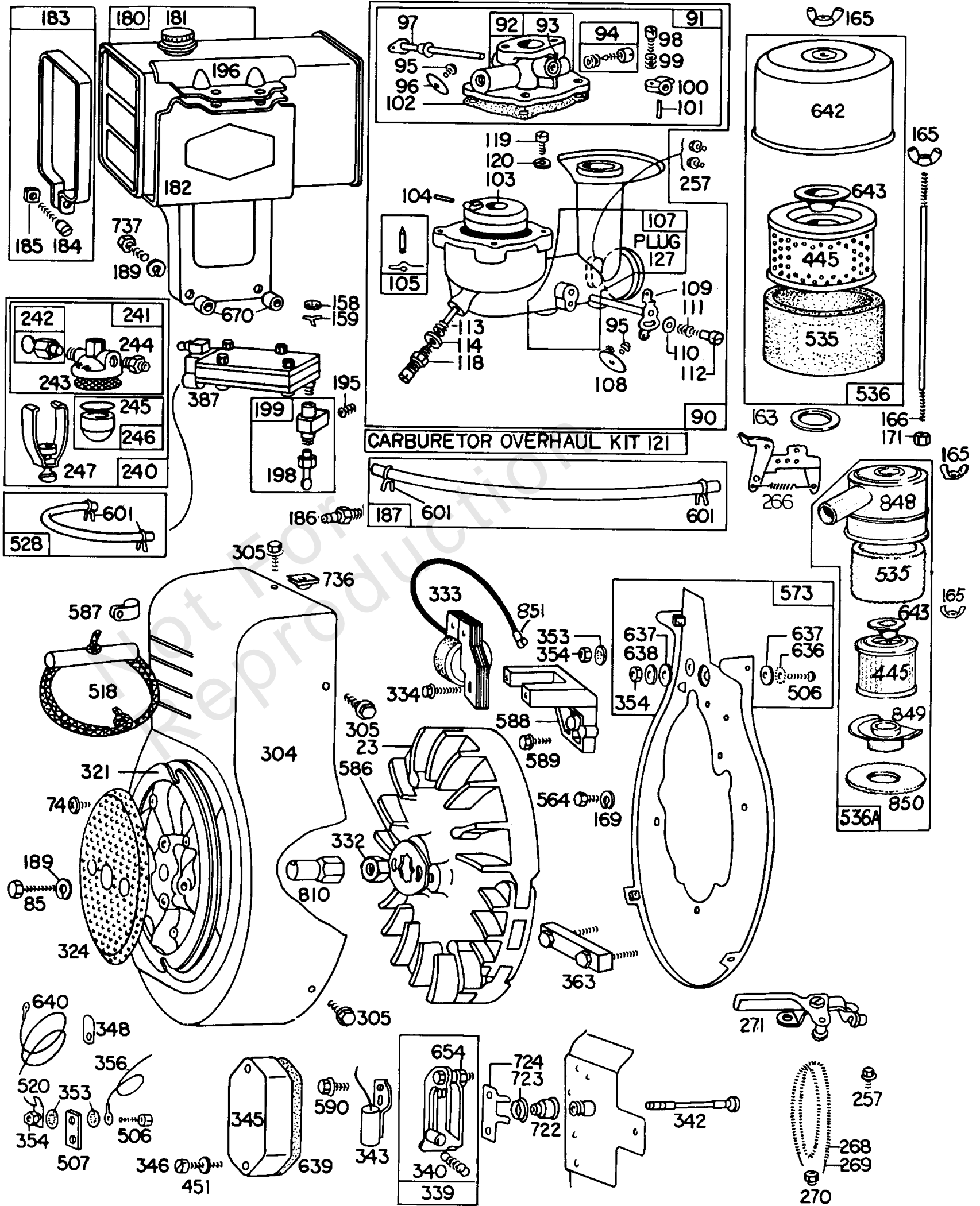
REF NO	PART NO	QTY	DESCRIPTION
180	291488		TANK, Fuel -(6 Quart)
181	392301		CAP, Fuel Tank
182	22813		BRACKET, Fuel Tank -(8 Quart) (Remote Mount Only)
183	291490		STRAP, Fuel Tank -(6 Quart)
184	91257		SCREW -(1/4-20 X 1-1/2)
185	90970		NUT -(1/4-20)
186	230318		CONNECTOR, Hose
187	296004		LINE, Fuel -(Cut To Required Length)
189	90366		WASHER
195	91635		NIPPLE, Fuel
196	22907		BRACKET, Fuel Tank -(8 Quart) (Remote Mount Only)
198	293934		VALVE, Fuel Shut Off
199	297563		OUTLET, Tank
240	393169		STRAINER, Fuel
241	296005		COVER, Fuel Filter
242	394388		VALVE, Fuel Shut Off -For Fuel Shut-off and Cover, order Part No. 295913
243	22547		STRAINER, Fuel
244	230318		CONNECTOR, Hose
245	68477		GASKET, Fuel Bowl -Included in Gasket Set-Part No. 299719
246	298683		BOWL, Fuel Filter
247	99665		YOKE, Bowl
257	93543		SCREW -(10-32 X 3/8)
266	299361		CONTROL, Throttle -(Disc Type)
268	65616		CASING, Control Wire -(Cut To Required Length)
269	26633		WIRE, Control -(Cut To Required Length) If longer wire is required, specify length in inches; if shorter wire is required, order No. 26633 and cut to required length.
270	63426		NUT -(Control Wire Casing)
271	290568		LEVER, Control
304	93572		SCREW -(10-32 X 3/8)
305	93158		SCREW -(1/4-20 X 5/8)
321	211555		FAN, Booster
324	221851		SCREEN, Rotating
332	230674		NUT
333	298968		ARMATURE, Magneto -(Breaker Ignition)
334	93381		SCREW
339	298185		BREAKER, Ignition
340	26018		SPRING, Breaker Arm
342	298125		PLUNGER, Breaker
343	298060		CONDENSER





## Carb,A/C,Blower Hsg,FuelTank

REF NO	PART NO	QTY	DESCRIPTION
345	211327		COVER, Breaker
346	93400		SCREW
348	221976		SWITCH, Stop
353	92791		WASHER
354	90576		NUT -(Ground Terminal)
356	391115		WIRE, Stop
363	19068		PULLER, Flywheel
387	390665		PUMP, Fuel
445	390930		FILTER, A/C Cartridge
451	90364		WASHER
506	90200		SCREW -(8-32 X 1/2)
507	66895		INSULATOR
518	69932		GRIP, Starter Rope
520	93722		TERMINAL, Ground
528	296004		LINE, Fuel -(Cut To Required Length)
535	270782		FILTER, Air Cleaner Foam
536A	392783		CLEANER, Air
536	391063		CLEANER, Air
564	92980		SCREW -(1/4-20 X 1/2)
573	391220		PLATE, Back
586	22906		RETAINER
587	220509		CLIP, Wire
588	211976		BRACKET, Armature
589	93473		SCREW
590	93171		SCREW
601	93053		CLAMP, Hose -(Green)
636	92864		WASHER
637	66154		WASHER -(Fiber)
638	26404		WASHER
639	270176		GASKET, Breaker Box -Included in Gasket Set-Part No. 299719
640	298141		WIRE, Stop
642	222271		COVER, Air Cleaner
643	222290		WASHER -(Air Cleaner)
654	230783		NUT
670	230900		SPACER -(Includes 2)
722	68768		SEAL, Plunger
723	93516		RETAINER, Seal
724	221873		RETAINER, Seal
736	93542		NUT
737	93546		SCREW -(5/16-18 X 1-1/4)
810	230950		SHAFT, Stub
848	392393		COVER, Air Cleaner
849	392391		BASE, Air Cleaner
850	270987		GASKET, Air Cleaner -(Air Cleaner)



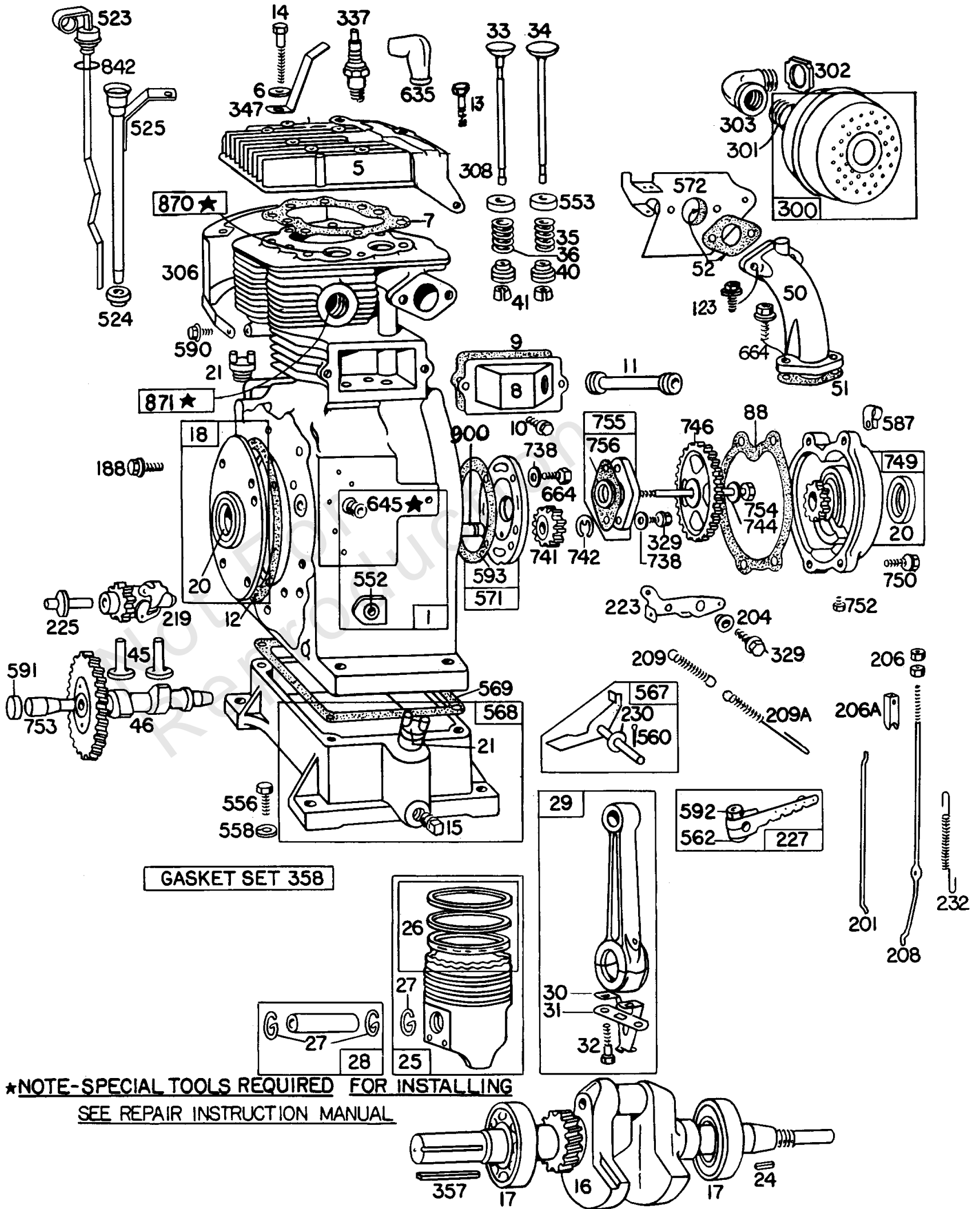
**Carb,A/C,Blower Hsg,FuelTank**

---

REF NO	PART NO	QTY	DESCRIPTION
851	221798		TERMINAL, Spark Plug

---

Not For Reproduction



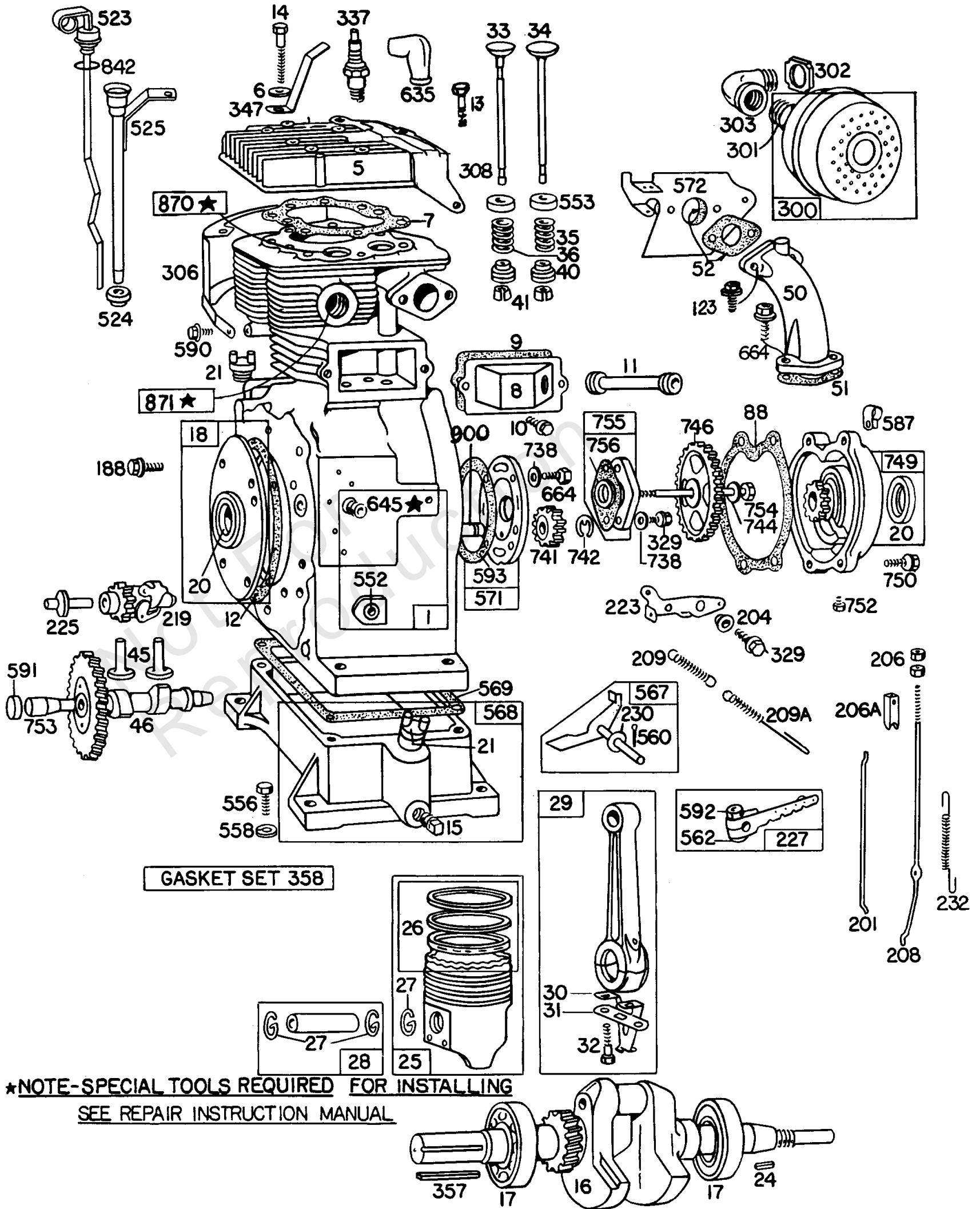
★NOTE-SPECIAL TOOLS REQUIRED FOR INSTALLING  
SEE REPAIR INSTRUCTION MANUAL

## Cylinder,Piston,Gears,Oil

REF NO	PART NO	QTY	DESCRIPTION
1	392096		CYLINDER ASSEMBLY -(Includes Piston And Ring Assembly)
5	211889		HEAD, Cylinder -Used Before Code Date 7509061
5	211981		HEAD, Cylinder
6	22963		WASHER
7	270662		GASKET, Cylinder Head -Included in Gasket Set-Part No. 299719
8	299328		BREATHER ASSEMBLY
9	27803		GASKET, Rocker Cover -Included in Gasket Set-Part No. 299719
10	93536		SCREW
11	68818		TUBE, Breather
12	27350		GASKET, Crankcase -Included in Gasket Set-Part No. 299719
13	91203		SCREW -(5/16-18 X 1-3/4)
14	92674		SCREW -(2-7/16)
15	93719		PLUG, Oil Drain
16	261218		CRANKSHAFT
17	291667		BEARING, Ball
18	391062		SUPPORT, Bearing
20	299609		SEAL, Oil
21	66768		PLUG, Oil
24	61760		KEY, Flywheel -(Breaker Ignition)
25	299688		PISTON ASSEMBLY -(Standard)
25	299716		PISTON ASSEMBLY -(.010 Oversize)
25	299717		PISTON ASSEMBLY -(.020 Oversize)
25	299718		PISTON ASSEMBLY -(.030 Oversize)
27	260924		LOCK, Piston Pin
28	299691		PIN, Piston -(Standard)
29	299632		ROD, Connecting -For Connecting Rod with .020 undersize Crankpin Bore-order No. 390306
30	221777		DIPPER, Connecting Rod
31	221776		LOCK, Rod Screw
32	230907		SCREW -(Connecting Rod)
33	261207		VALVE, Exhaust
34	261206		VALVE, Intake
35	26828		SPRING, Valve -(Exhaust)
36	26828		SPRING, Valve -(Exhaust)
40	292260		RETAINER, Valve -(Exhaust Valve) (Exhaust)
41	68283		RETAINER, Valve
45	26670		TAPPET, Valve

### Footnotes:

Used After Code Date 81080100 and Before Code Date 85012200



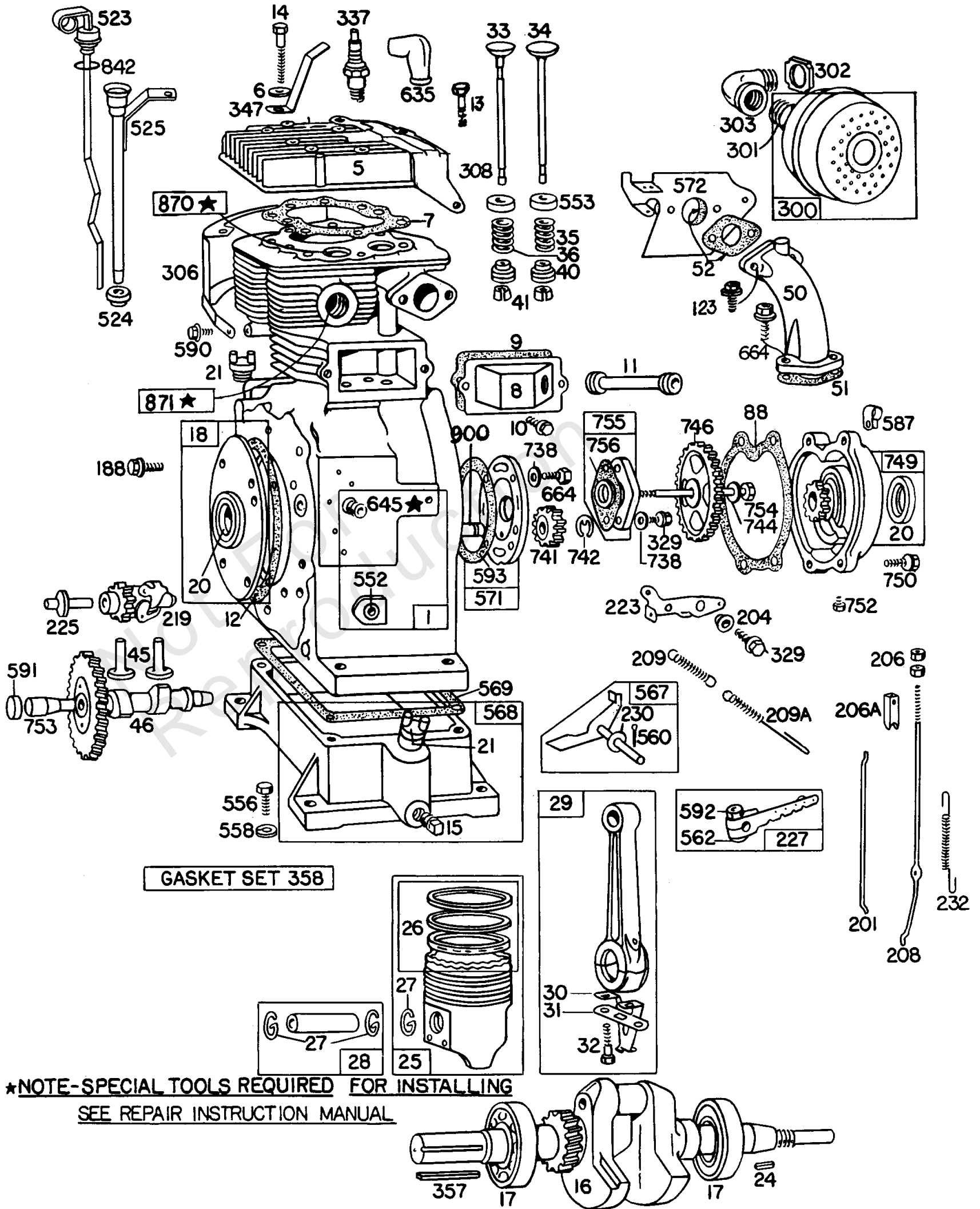
**\*NOTE-SPECIAL TOOLS REQUIRED FOR INSTALLING  
SEE REPAIR INSTRUCTION MANUAL**

## Cylinder,Piston,Gears,Oil

REF NO	PART NO	QTY	DESCRIPTION
46	211794		CAMSHAFT
50	211589		MANIFOLD, Intake
51	270267		GASKET, Intake -Included in Carburetor Overhaul Kit-Part No. 391071. Included in Gasket Set- Part No. 299719
52	27381		GASKET, Intake -Included in Gasket Set-Part No. 299719
88	270449		GASKET, Gear Cover/Housing
123	93357		SCREW
188	93535		SCREW -(5/16-18 X 3/4)
201	260923		LINK, Throttle
204	23849		SCREW
206A	21772		NUT, Governor Adjusting
206	93422		NUT
208	230040		ROD, Governor Control
209A	260816		SPRING, Governor -(2 1/2)
209	260815		SPRING, Governor
219	291192		GEAR, Governor
223	22814		LEVER, Governor Control
225	291177		SHAFT, Governor Gear
227	298399		LEVER, Governor Control
230	22826		WASHER
232	260478		SPRING/LINK, Mechanical Governor
300	299477		MUFFLER
301	231184		PIPE, Exhaust -(4)
302	91310		LOCKNUT -(Muffler)
303	91308		MANIFOLD, Exhaust -(1 Street)
306	299536		SHIELD, Cylinder
308	221953		COVER, Cylinder Head -Used Before Code Date 7509071
308	222357		COVER, Cylinder Head
329	93294		SCREW -(5/8)
337	293918		PLUG, Spark
337	298809		PLUG, Spark -For Ignition Cable Terminal, order No. 221798
347	220197		SWITCH, Stop -(1-1/2 High, 38 Mm. Spark Plugs)
357	91540		KEY, Drive Pulley -(1/4)
358	299719		GASKET SET, Engine
523	390836		DIPSTICK -Uses: 65304 Gasket
523	390947		DIPSTICK
524	68838		SEAL, O-Ring -(Dipstick Tube)
525	390945		TUBE, Dipstick
552	23837		BUSHING, Governor Crank

### Footnotes:

Used After Code Date 81080100 and Before Code Date 85012200



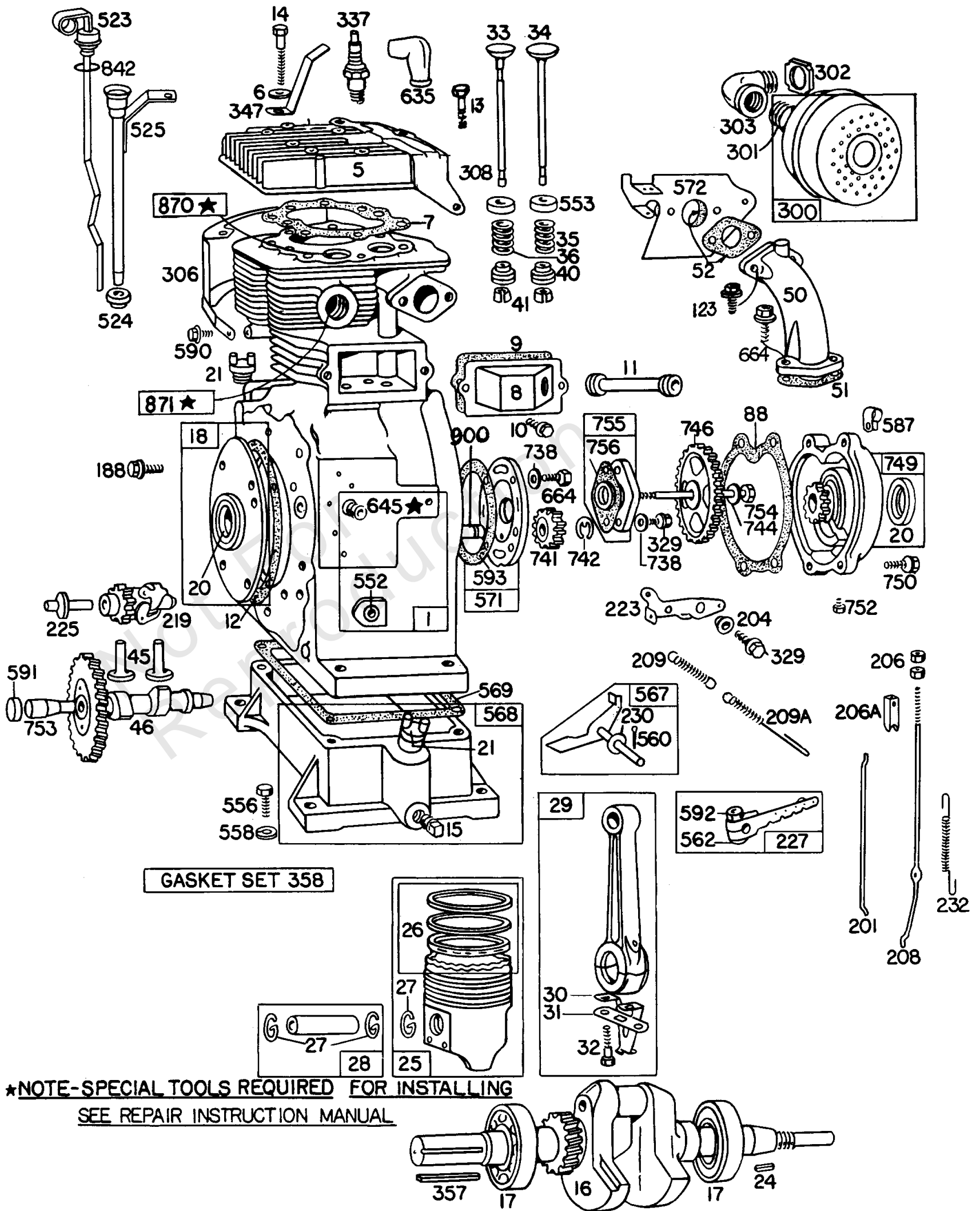


## Cylinder,Piston,Gears,Oil

REF NO	PART NO	QTY	DESCRIPTION
553	62222		SEAT, Valve Spring
556	90887		SCREW -(3/8-16 X 1-1/4)
558	92268		WASHER -(3/8 X 1/8 X 3/32)
560	91984		PIN, Cotter
562	92613		BOLT -(Governor Lever)
567	291364		CRANK, Governor
568	391165		SUMP, Engine
569	27351		GASKET, Crankcase -Included in Gasket Set-Part No. 299719
571	299705		SUPPORT, Bearing -(Magneto Side)
572	291871		GUIDE, Air
587	220509		CLIP, Wire
590	93171		SCREW
591	222251		PLUG, Camshaft
592	231082		NUT -(Governor Control)
593	270513		GASKET, Bearing Support -(.015) Included in Gasket Set-Part No. 299719
593	270514		GASKET, Bearing Support -(.010) Included in Gasket Set-Part No. 299719
593	270515		GASKET, Bearing Support -(.005)
635	66538		BOOT, Spark Plug
645	230775		BUSHING, Plunger
664	93415		SCREW -(1/4-20 X 3/4)
738	221944		WASHER
741	261466		GEAR, Drive
742	93525		RETAINER, E Ring
744	93526		WASHER
746	211927		GEAR, Drive -(Magneto Side)
749	391361		COVER, Gear
750	93587		SCREW -(1/4-20 X 1)
752	93554		SCREW
753	231006		SHAFT, Gear
754	93528		SCREW
755	299706		BEARING, Camshaft
756	270516		SHIM, End Play -(.009) Included in Gasket Set-Part No. 299719
756	270517		SHIM, End Play -(.007) Included in Gasket Set-Part No. 299719
756	270518		SHIM, End Play -(.005) Included in Gasket Set-Part No. 299719
842	270933		SEAL, O-Ring -(Oil Fill)
870	21612		SEAT, Valve -(Exhaust)

### Footnotes:

Used After Code Date 81080100 and Before Code Date 85012200



## Cylinder,Piston,Gears,Oil

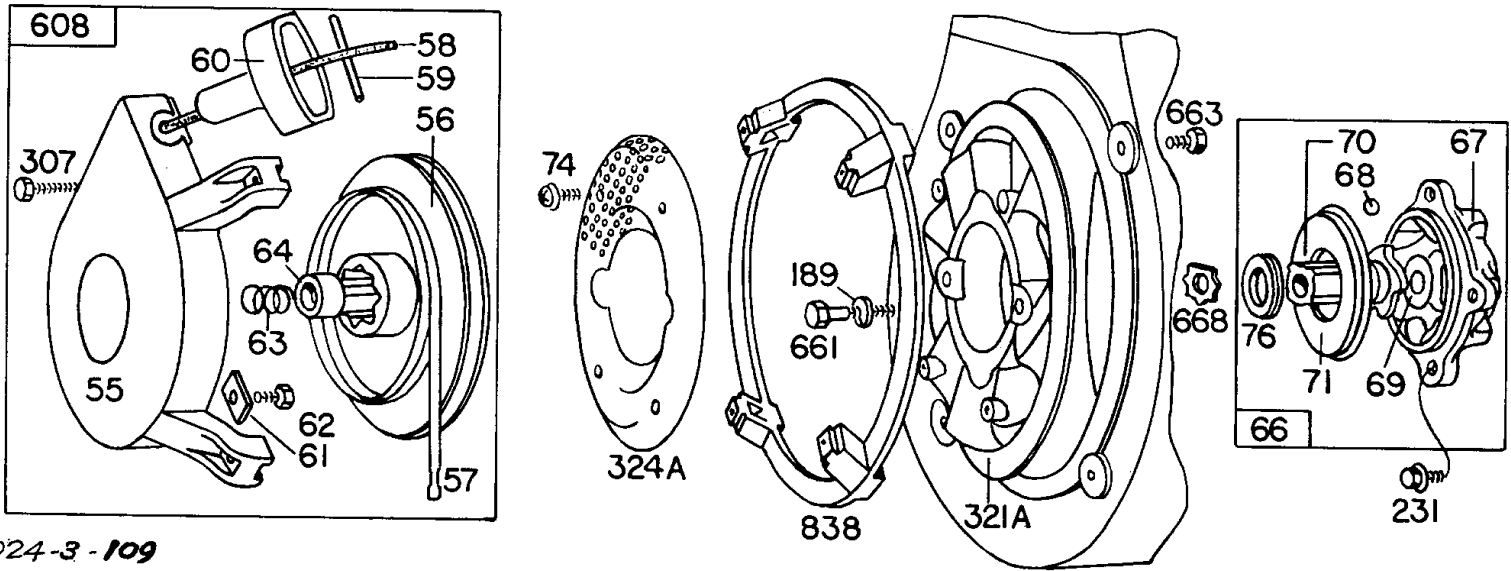
REF NO	PART NO	QTY	DESCRIPTION
871	230655		BUSHING, Valve Guide -(Exhaust)
900	230890		SHAFT, Gear

Not For  
Reproduction

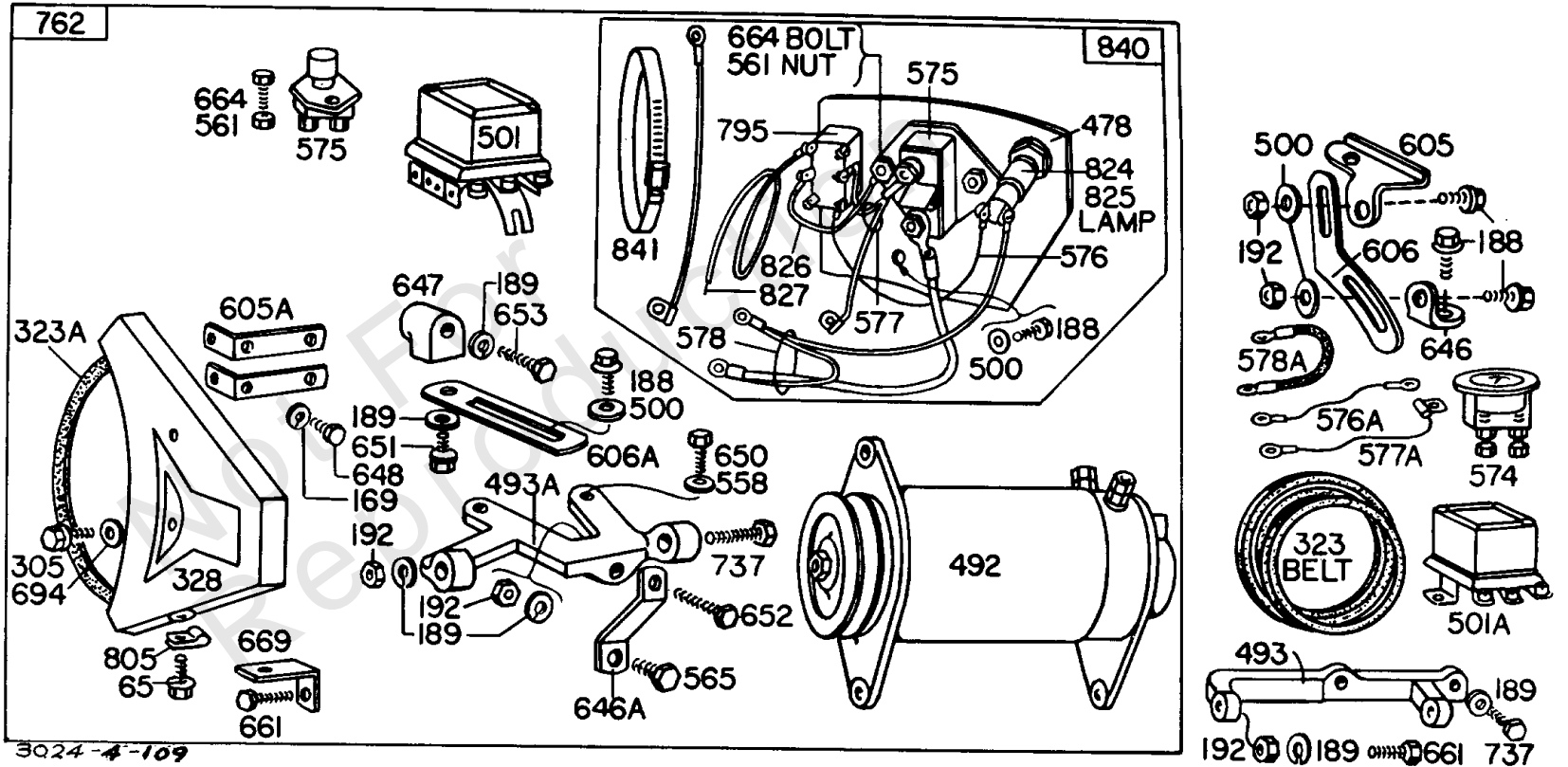
---

**Footnotes:**

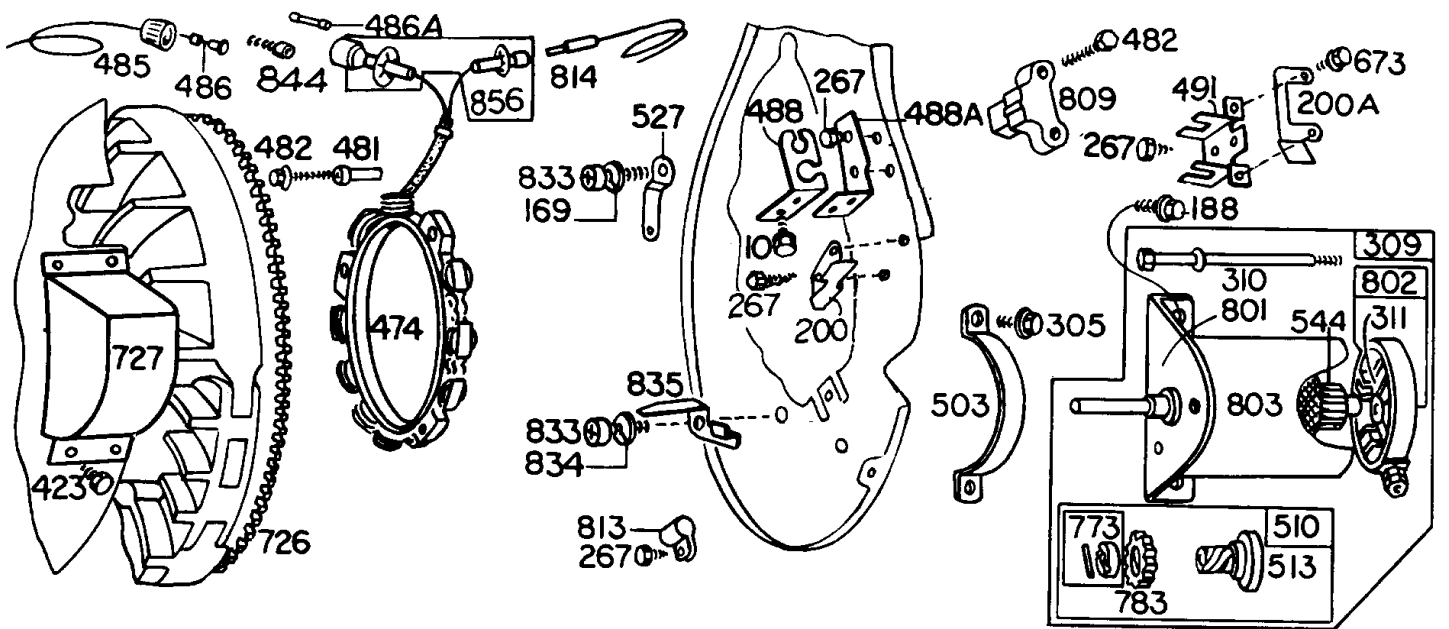
Used After Code Date 81080100 and Before Code Date 85012200



3024-3-109

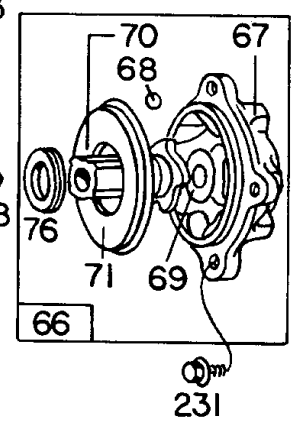
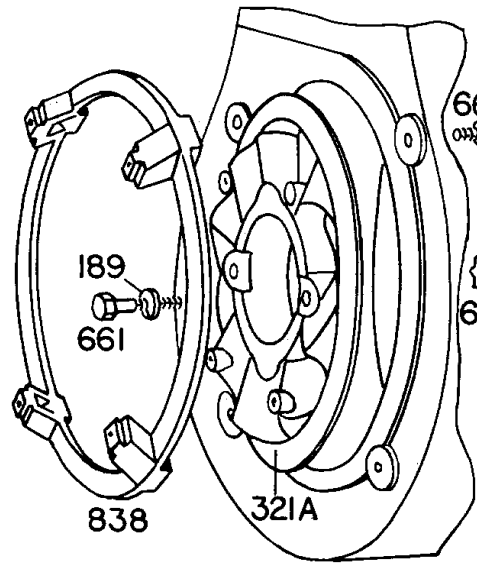
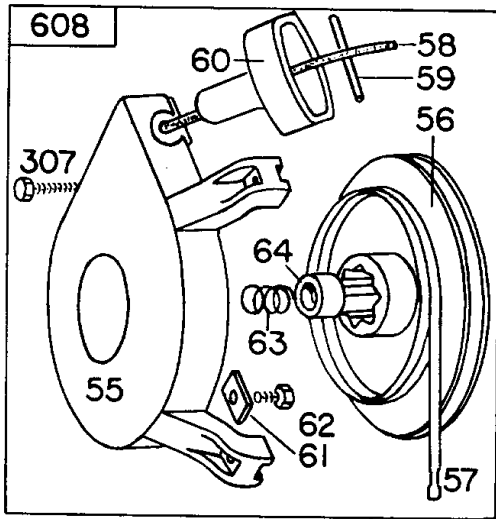


3024-4-109

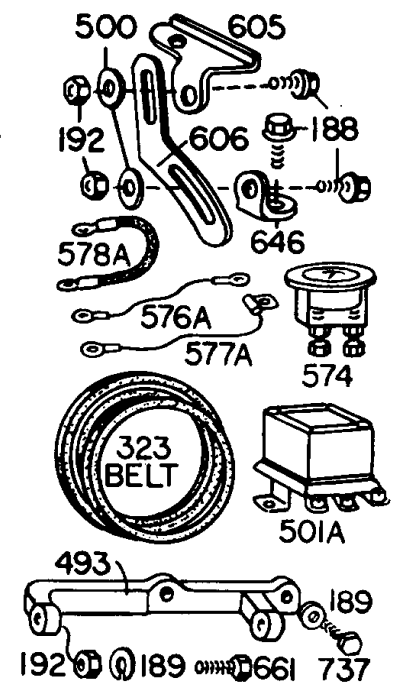
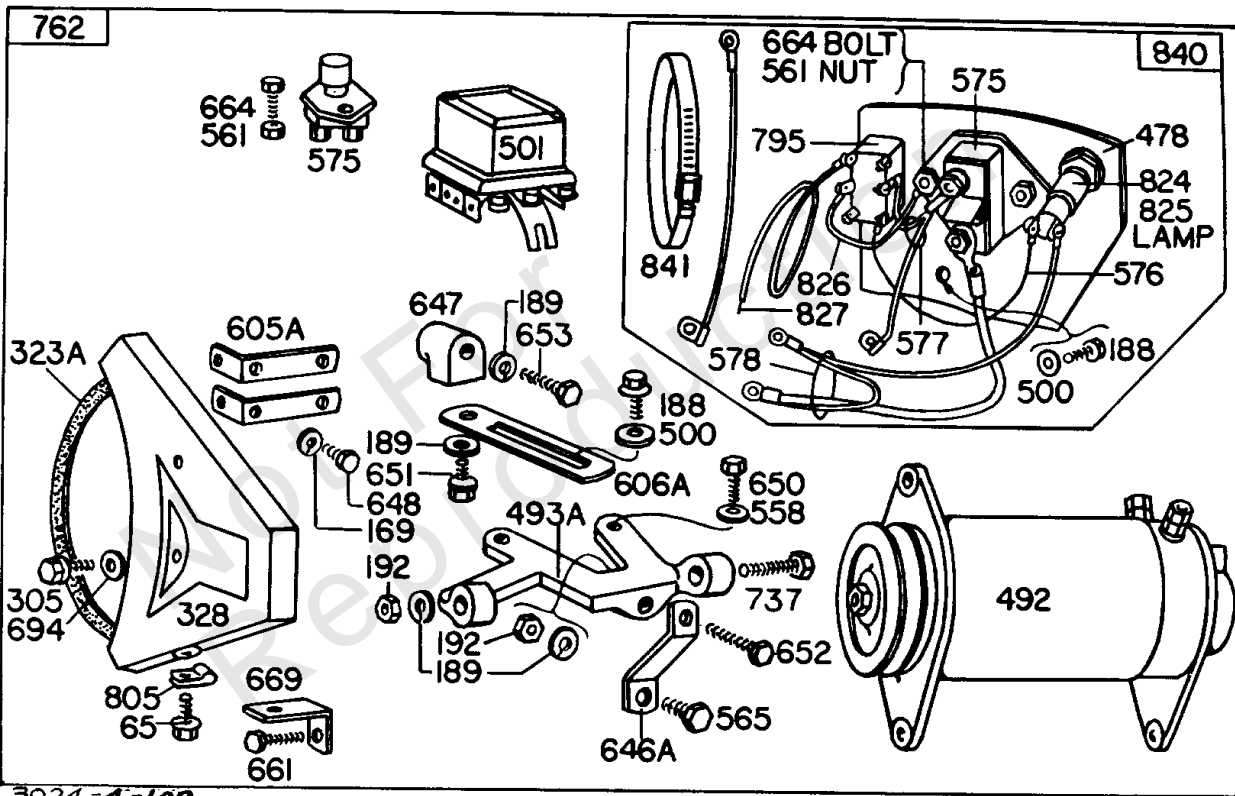


## Electric Starters, Rewind

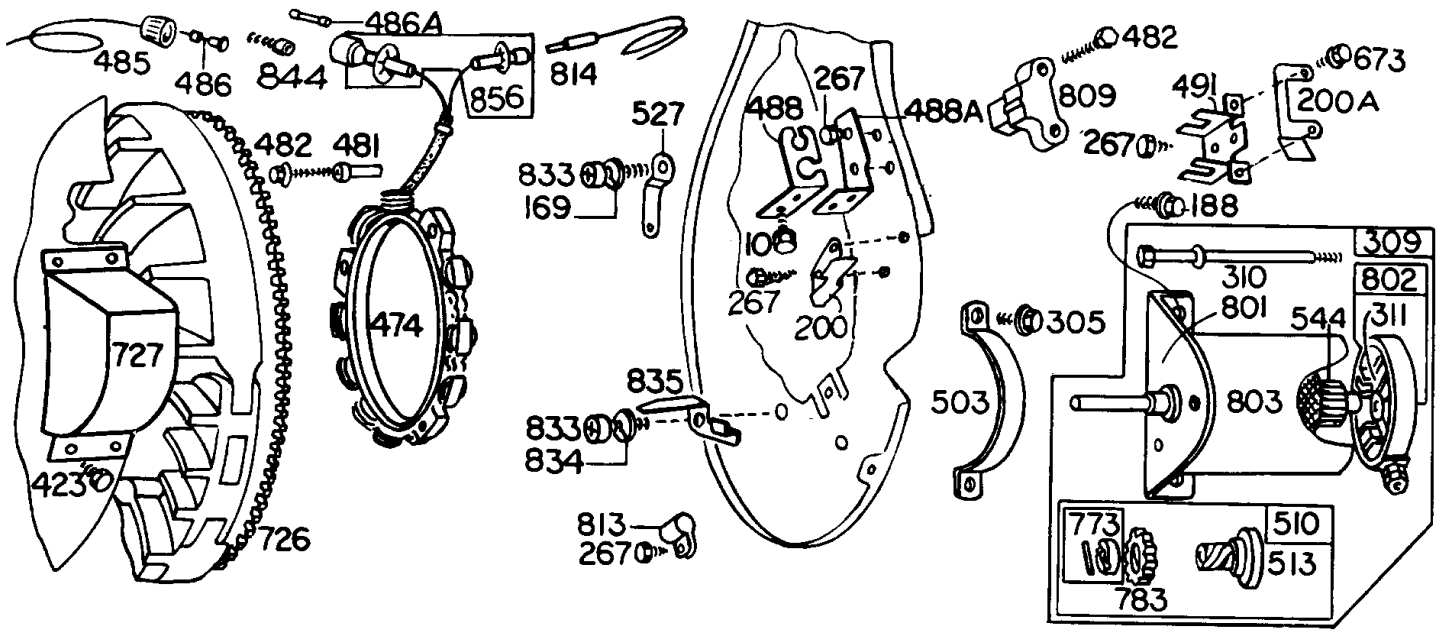
REF NO	PART NO	QTY	DESCRIPTION
10	93536		SCREW
55	298402		HOUSING, Rewind Starter
56	392630		PULLEY, Starter -(63 Rope) If longer Rope is required, order Rope No. 66894 and cut to Length.
57	294303		SPRING, Rewind Starter
58	66564		ROPE, Starter -(63 Rope) If longer Rope is required, order Rope No. 66574 and cut to length.
58	66884		ROPE, Starter -(Cut To Required Length) If longer Rope is required, order Rope No. 66894 and cut to length.
59	230228		PIN, Starter Grip
60	66728		GRIP, Starter Rope
61	68848		BUMPER, Starter Pulley
62	93254		SCREW -(Pulley)
63	260414		SPRING, Ratchet
64	230543		ADAPTER, Ratchet Spring
65	93163		SCREW
66	298798		CLUTCH, Starter -(Rewind Starter)
67	212132		HOUSING, Clutch
68	63770		BALL, Clutch
69	66718		WASHER -(1-1/16 O.D. X 17/32 I.D.) (1 1/16 O.D. X 17/32 I.D.)
70	298799		RATCHET, Clutch -(engine W/Ring Gear on FW equipped for Elec Start)
71	221653		WASHER
74	93521		SCREW
75	93824		WASHER -(Spring)
169	90832		SCREW -(Blower Housing)
188	93535		SCREW -(5/16-18 X 3/4)
189	90366		WASHER
192	91397		NUT -(5/16-18)
200A	222445		GUIDE, Air
200	222581		GUIDE, Air
231	93380		SCREW
267	93612		SCREW
305	93158		SCREW -(1/4-20 X 5/8)
307	93686		SCREW -(10-32 X 5/8)
309	391178		MOTOR, Starter
310	391790		BOLT -(3 3/4 Housing)
311	391791		SET, Brush -(3 3/4 Housing) (Briggs & Stratton 12V)
321A	212000		FAN, Booster
323A	68898		BELT, Vee -(Low Position)
323	68878		BELT, Vee -(High Position)
324A	222388		SCREEN, Rotating



3024-3-109

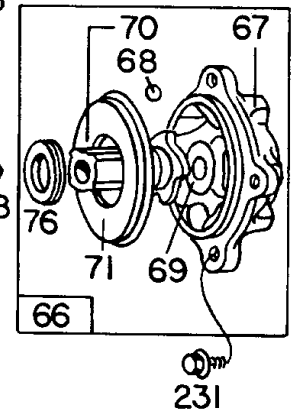
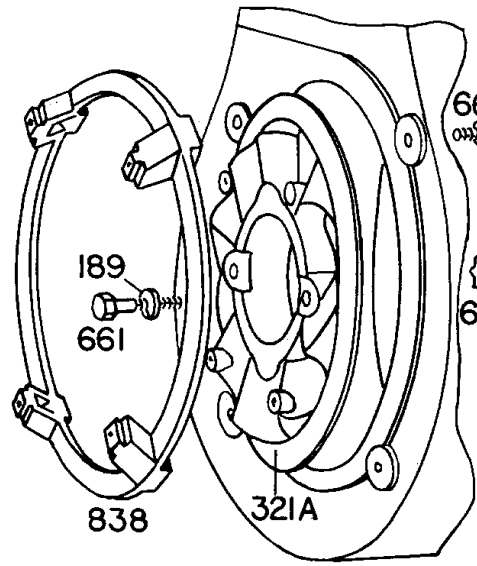
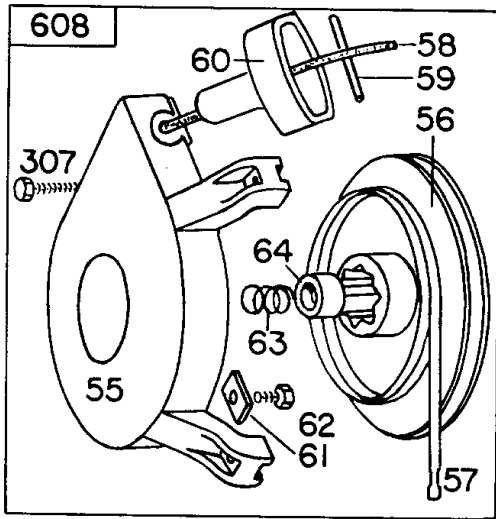


3024-4-109

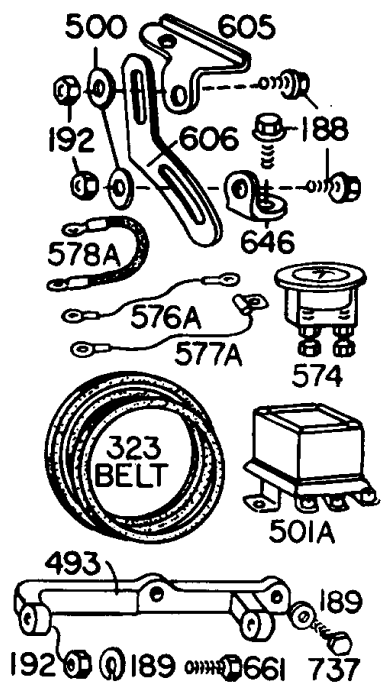
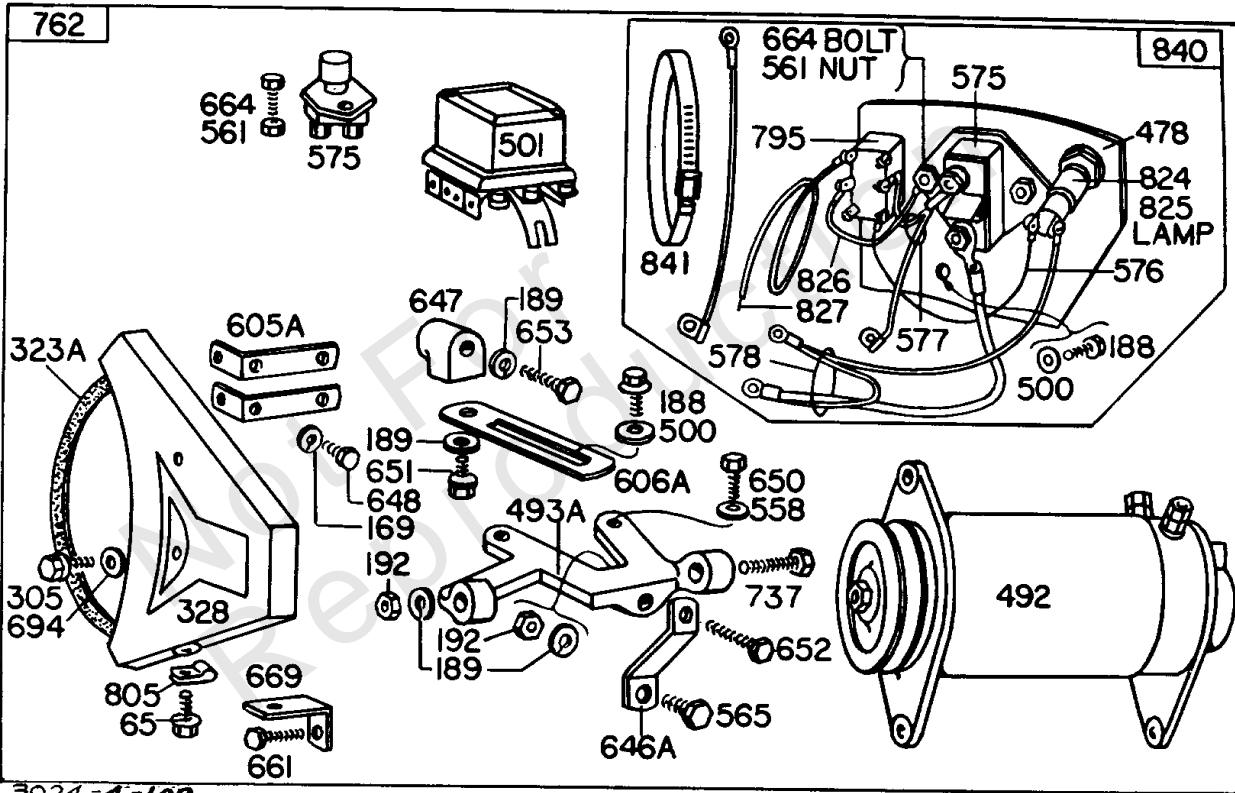


## Electric Starters, Rewind

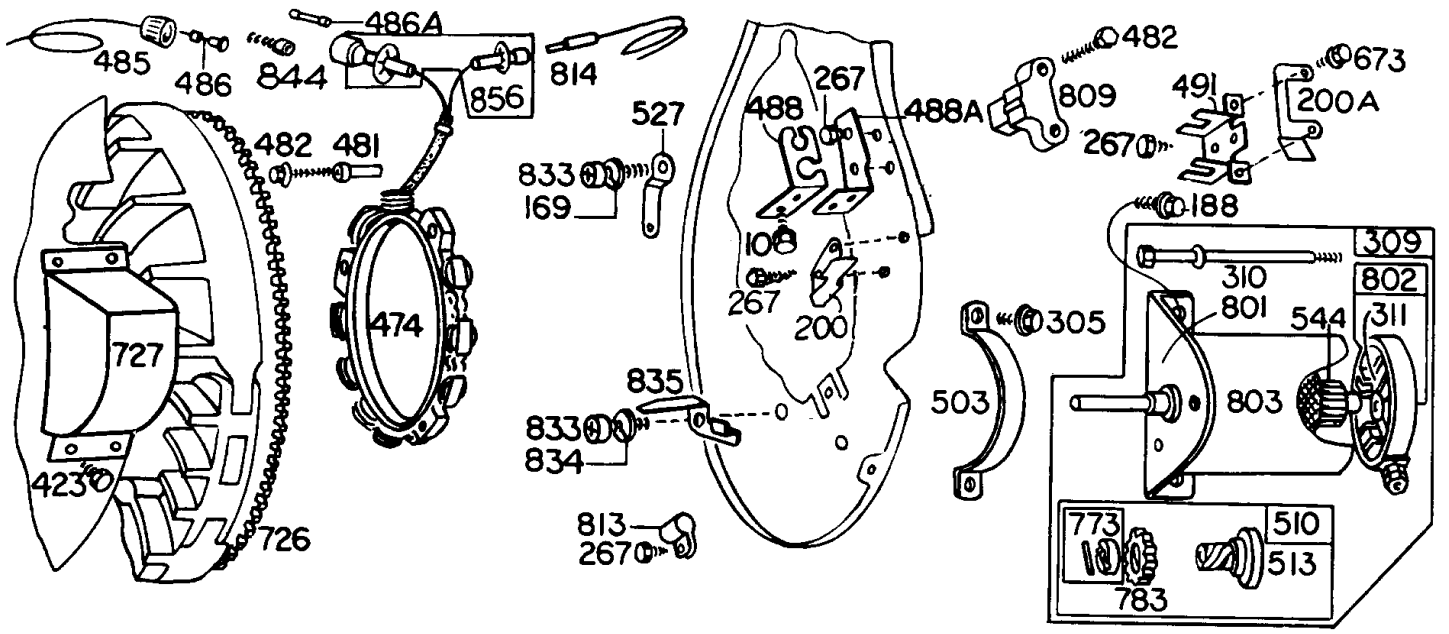
REF NO	PART NO	QTY	DESCRIPTION
328	222062		GUARD, Belt
423	93410		SCREW
474	393800		ALTERNATOR -(Dual Circuit With Fuse)
478	221745		KIT, Panel
481	230976		BUSHING, Alternator
482	93621		SCREW -(Tapping)
485	390888		CAP, Wire/Fuse
486A	67125		FUSE -(7 1/2 Amp)
486	391507		RECTIFIER
488A	222345		BRACKET, Mounting
488	222211		BRACKET, Mounting
491	222344		BRACKET, Mounting
492	297779		MOTOR, Starter -(Delco-Remy #1101864 & Pulley-Delco-Remy #1949358)
493A	211169		BRACKET, Starter Motor
493	211785		BRACKET, Starter Motor
500	91325		WASHER
501A	295924		REGULATOR -(Flat Mount, Delco-remy)
501	297196		REGULATOR -(Saddle Mount, Delco-remy)
503	222331		STRAP, Starter
510	391461		DRIVE, Starter -(3 1/2 Housing)
513	391135		CLUTCH, Starter
527	222192		BRACKET, Mounting
544	391160		ARMATURE, Starter -(3 5/8 or 4 3/8 Housing)
558	92268		WASHER -(3/8 X 1/8 X 3/32)
561	92278		NUT -(Starting Switch)
565	93142		SCREW
574	295158		AMMETER
575	299139		SWITCH, Starting
576A	295160		WIRE ASSEMBLY
576	298579		WIRE ASSEMBLY -(Ignition Switch to Indicator Lamp)
577A	295161		WIRE ASSEMBLY
577	298582		WIRE ASSEMBLY -(Starter Switch to Ign Switch & Bat on Regulator)
578A	295162		CABLE, Starter
578	298583		WIRE ASSEMBLY -(To Generator Term, Regulator & Indicator Light Term)
605A	297171		BRACKET, Support -(Lower)
605	221933		BRACKET, Starter Motor
606A	221442		STRAP, Adjusting
606	221931		STRAP, Adjusting
608	298340		STARTER, Rewind
646A	221472		BRACKET, Support
646	221932		BRACKET, Starter Motor



3024-3-109



3024-4-109





## Electric Starters, Rewind

REF NO	PART NO	QTY	DESCRIPTION
647	211170		BRACKET, Support
648	91439		SCREW
650	91814		SCREW -(3/8-16 X 2)
651	92034		SCREW -(5/16-18 X 1/2)
652	91162		SCREW -(5/16-18 X 1-1/2)
653	91442		SCREW -(Pulley)
661	91203		SCREW -(5/16-18 X 1-3/4)
663	93572		SCREW -(10-32 X 3/8)
664	93415		SCREW -(1/4-20 X 3/4)
668	260647		SPACER -(Used Between End Of Ratchet And Starter Pulley)
669	222067		BRACKET, Mounting
673	93705		SCREW -(8-32 X 3/8)
694	91324		WASHER
726	391362		GEAR, Ring -(Includes Mounting Hardware)
727	222968		COVER, Starter Drive
737	93546		SCREW -(5/16-18 X 1-1/4)
762	390048		KIT, Electric Starter -(12 Volt)
773	391462		RETAINER
783	280104		GEAR, Pinion -(Briggs & Stratton 12V)
795	298590		SWITCH, Toggle
801	392062		CAP, Drive
802	391172		CAP, End -(3 3/4 Housing)
803	391167		HOUSING, Starter -(3 3/4 Housing)
805	93593		CLIP -(Guard Bracket)
809	391552		RECTIFIER
813	93732		CLIP, Wire
814	390867		HARNESS, Alternator -(Ac Only)
824	298586		LIGHT, Indicator
825	67245		LIGHT, Indicator -(#1893 T3-1/4 Bulb, Miniature Bayonet Base, 12V)
826	298580		WIRE ASSEMBLY -(Ignition Switch To Ground)
827	298581		WIRE, Stop
833	93743		SCREW
834	93744		WASHER
838	211983		ADAPTER, Blower Housing Ring
840	298561		KIT, Panel
841	297197		CLAMP
844	261269		SPRING, Diode
856	393304		HOLDER, Fuse

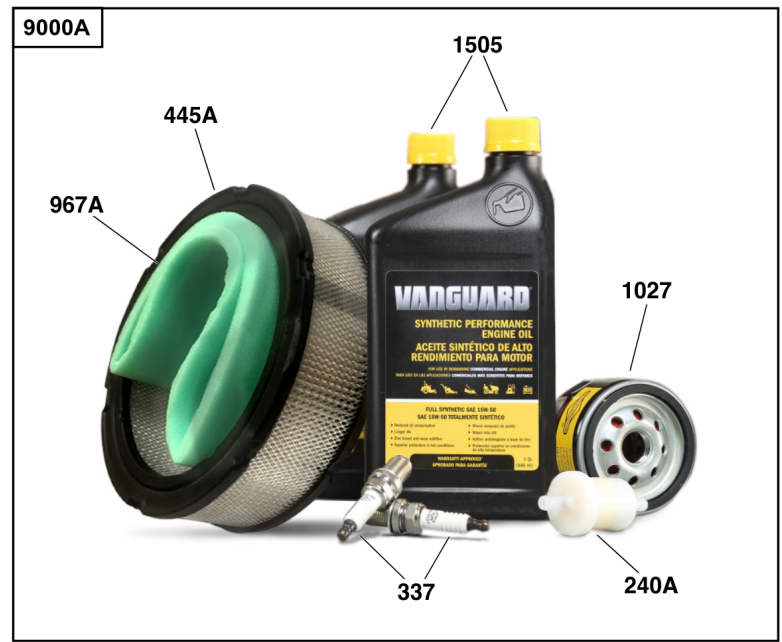
## Replacement Engine - US & Canada

REF NO	PART NO	QTY	DESCRIPTION
	3264372527	1	Replacement Engine
	66538	1	BOOT, Spark Plug -Add Part
	391068	1	CARBURETOR -Add Part
	220197	1	SWITCH, Stop -Remove Part
	391065	1	CARBURETOR -Remove Part
-----			Top No-Load Speed: 3300 -Trim: ALL
-----			Service Note: Transfer Fuel Pump and related parts from original engine to replacement engine.
-----			Service Note: Transfer base from original engine, or add 391165 base as a new part.
-----			Service Note: Replacement engine is not available in the U. S. A. Repair with individual parts.
-----			Service Note: For all Go-Karts use only a Model 136200 series engine as a replacement, regardless of the original Model.



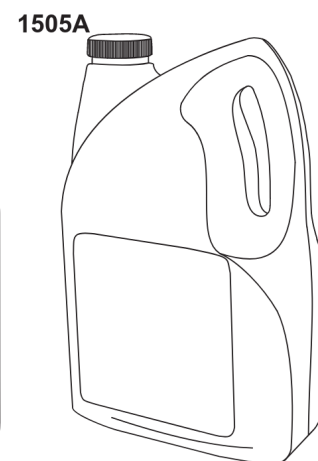
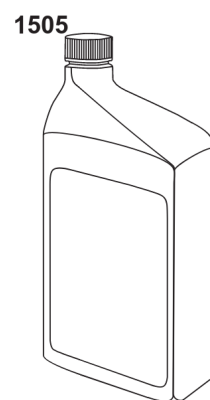
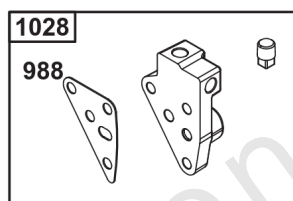
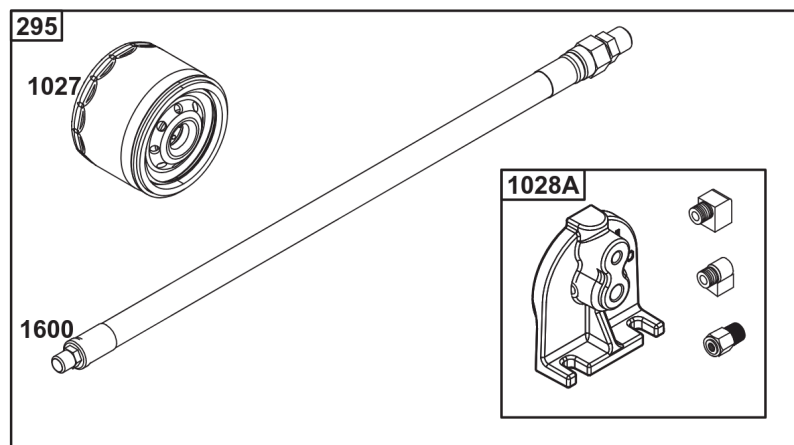
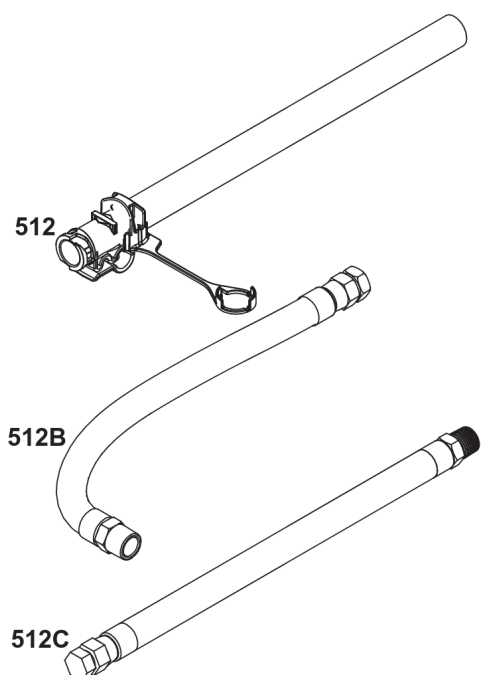
# Model 29, 30, 35 & 38 Engine Accessories Catalog

Not For  
Reproduction



## Maintenance Kits

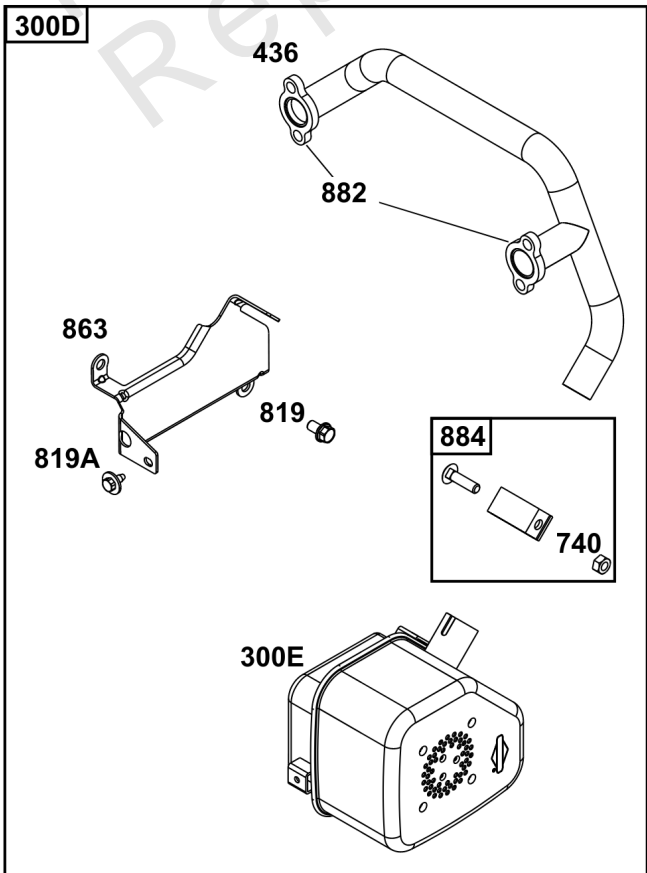
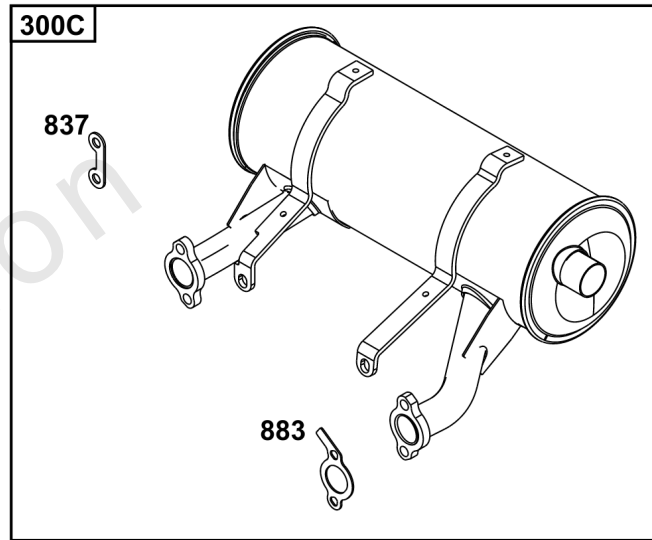
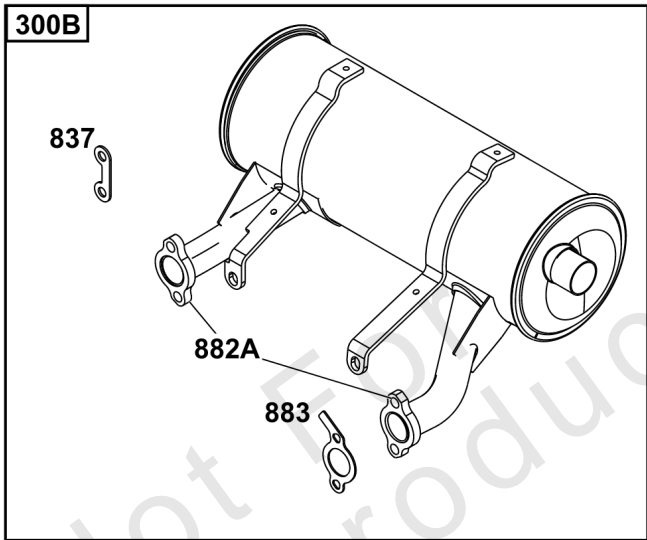
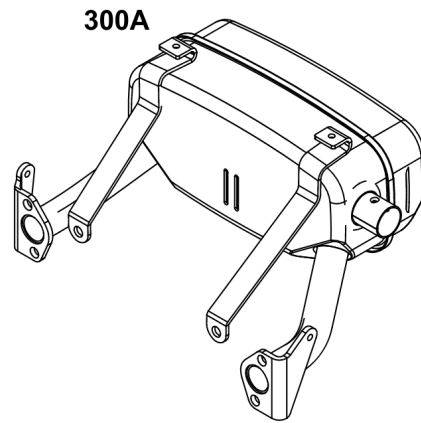
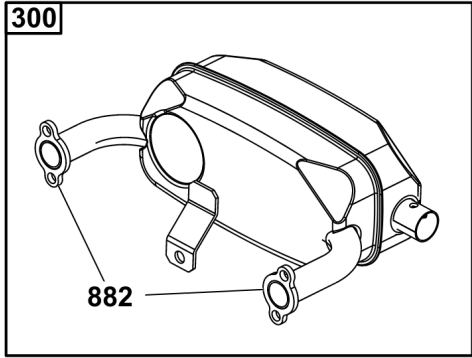
REF NO	PART NO	QTY	DESCRIPTION
9000	84004936		KIT, Maintenance -(Non-Oil Guard™ Engines) (20 - 23 HP)
9000A	84004937		KIT, Maintenance -(Non-Oil Guard™ Engines) (12.5 - 18 HP)
9000B	84002315		KIT, Maintenance -(Non-Oil Guard™ Engines)
240	845125	1	FILTER, Fuel
240A	84001895	1	FILTER, Fuel
337	491055S	2	PLUG, Spark
337	84007216	2	PLUG, SPARK -(China Only)
445	692519	1	FILTER, A/C Cartridge -"Professional / PXi" & "Commercial / CXi".
445A	394018S	1	FILTER, A/C Cartridge -"Professional / PXi" & "Commercial / CXi".
445B	841497	1	FILTER, A/C Cartridge -"Professional / PXi" & "Commercial / CXi".
967	692520	1	FILTER, Pre Cleaner
967A	272490S	1	FILTER, Pre Cleaner
1027	842921	1	FILTER, Oil -(Vanguard®)
1505	100169		OIL-1QT VANGUARD (CASE) -(1 qt. Bottle)



Not For  
Reproduction

## Lubrication

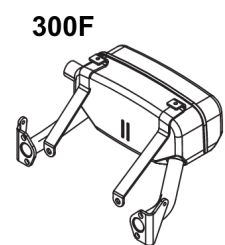
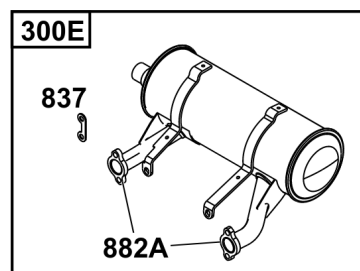
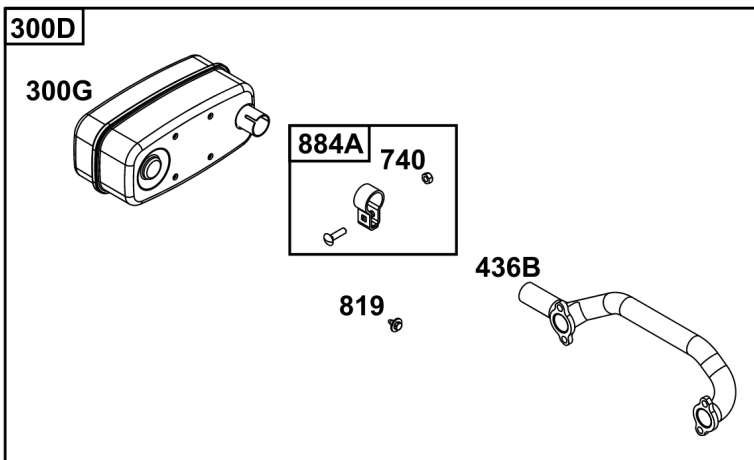
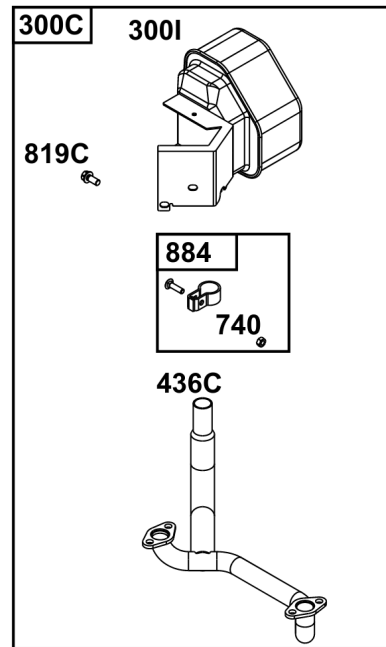
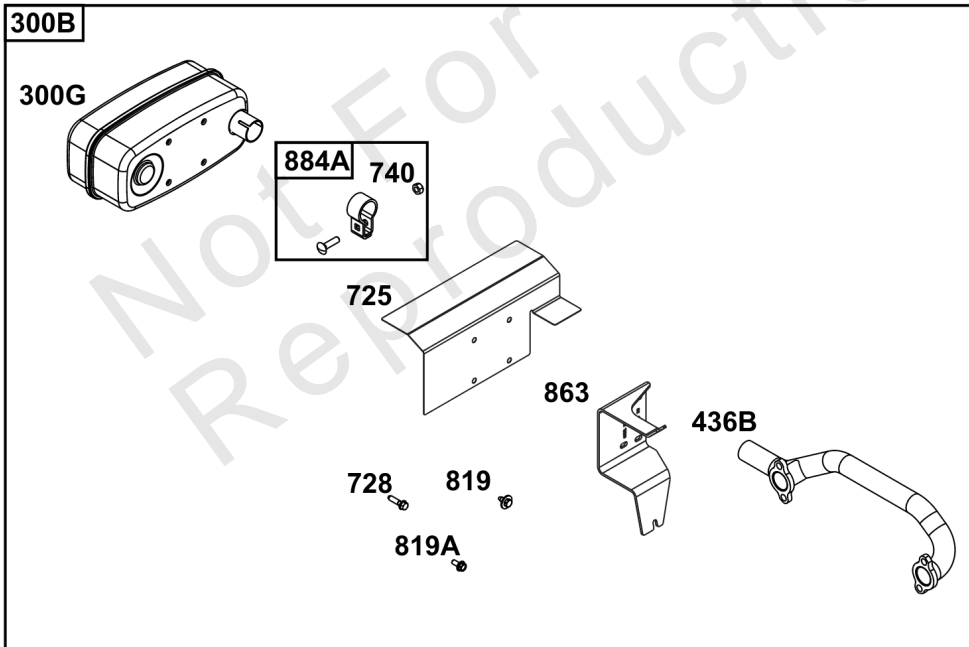
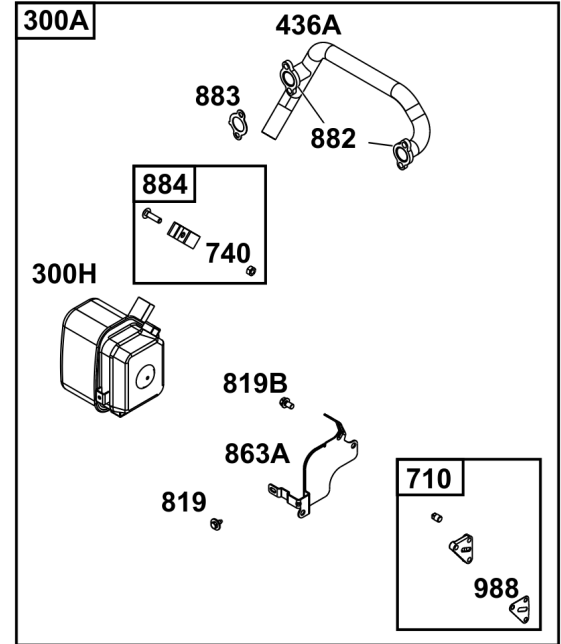
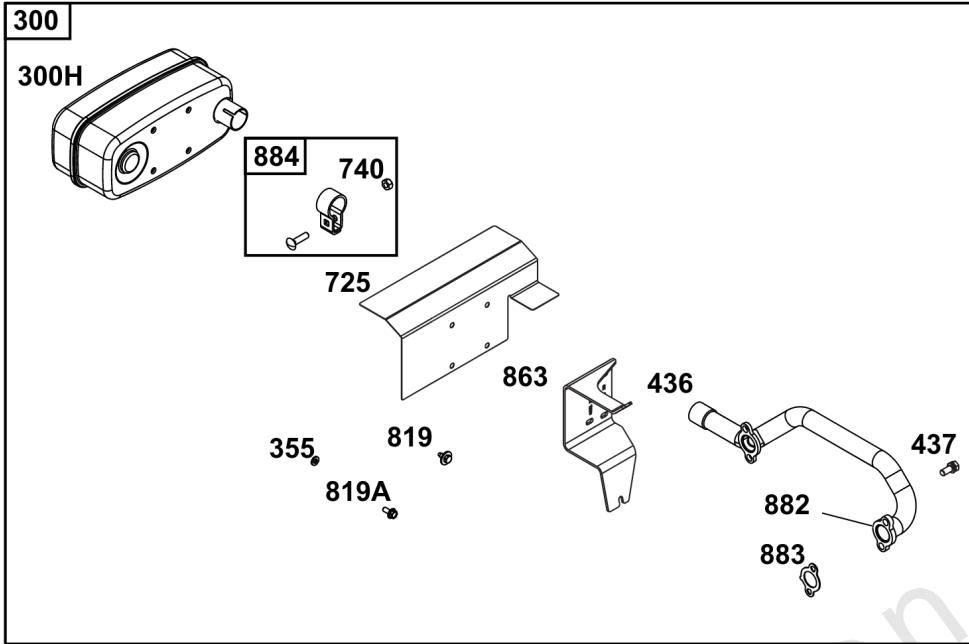
REF NO	PART NO	QTY	DESCRIPTION
186	796532	1	CONNECTOR, Hose -(Threaded Engine Block Connector for EZ-Oil Drain Hose)(Order hose separate)
239	690233	1	SWITCH, Oil Pressure -(2-4 PSI Normally-Closed Switch)
239A	491657S	1	SWITCH, Oil Pressure -(3-5 PSI Normally-Closed Switch)
239B	841281	1	SWITCH, Oil Pressure -(7-10 PSI Normally-Closed Switch)
239C	694115	1	SWITCH, Oil Pressure -(9-13 PSI Normally-Closed Switch)
239D	697049	1	SWITCH, Oil Pressure -(3-6 PSI Normally-Open Switch)
295	492061	1	ADAPTER, Remote Oil Filter -(Remote oil filter head with 18" (48 cm) hoses)
295	492062	1	ADAPTER, Remote Oil Filter -(Remote oil filter head with 30" (76 cm) hoses)
512	594200	1	HOSE, Oil Drain -(EZ-Oil Drain Hose, 10.5")(Order threaded engine block connector separate)
512	593635	1	HOSE, Oil Drain -(EZ-Oil Drain Hose, 13.75")(Order threaded engine block connector separate)
512B	1723165SM	1	HOSE, Oil Drain, 10-1/2" Long, 3/8-18 Fittings -(10.5")
512C	5048681SM	1	HOSE, OIL DRAIN -(12.5")
517	593633	1	RETAINER, Oil Drain
988	692063	1	GASKET, Oil Adapter
1027	492932S	1	FILTER, Oil
1028	492687	1	ADAPTER, Oil Filter -(Adapter Kit for mounting remote oil filter)
1028A	495244	1	ADAPTER-OIL FILTER -(Remote oil filter mounting head with fittings)
1346	844802	1	VALVE, Oil Drain Shut Off
1346A	492031	1	VALVE, Oil Drain Shut Off
1346B	5401WEB	1	VALVE, Oil Drain Shut Off -(1/4 Turn Oil Drain Valve with Hose)
1505	100169		OIL-1QT VANGUARD (CASE) -(1 qt. Bottle)
1505A	100170		OIL-5QT VANGUARD (CASE) -(5 qt. Bottle)
1600	494724	2	HOSE, Remote Oil Filter -(Hoses only (2) 18" (48 cm))
1600	494725	2	HOSE, Remote Oil Filter -(Hoses only (2) 30" (76 cm))





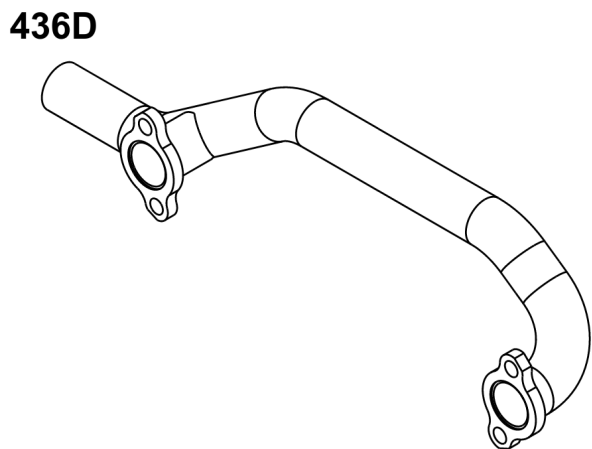
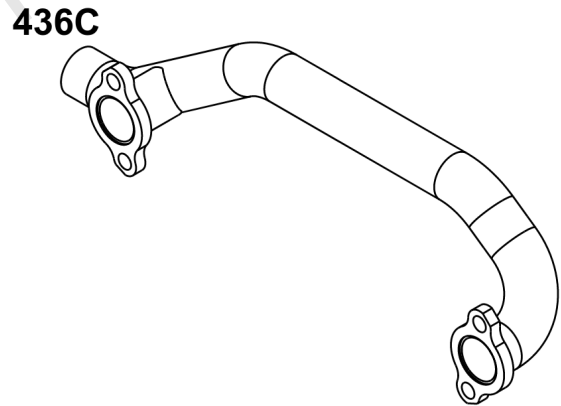
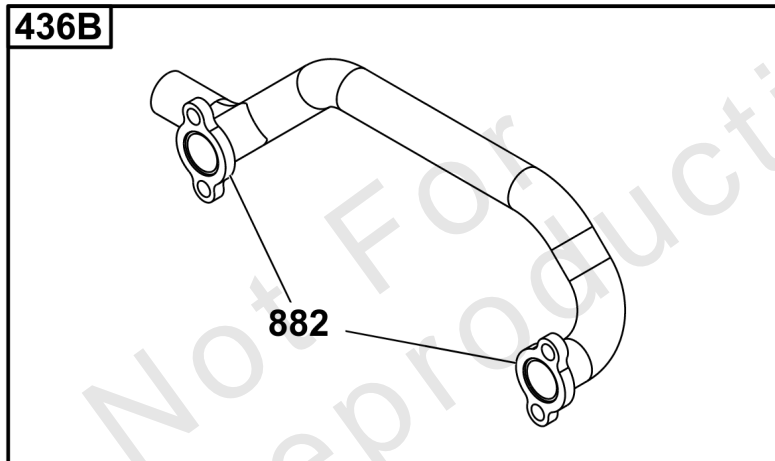
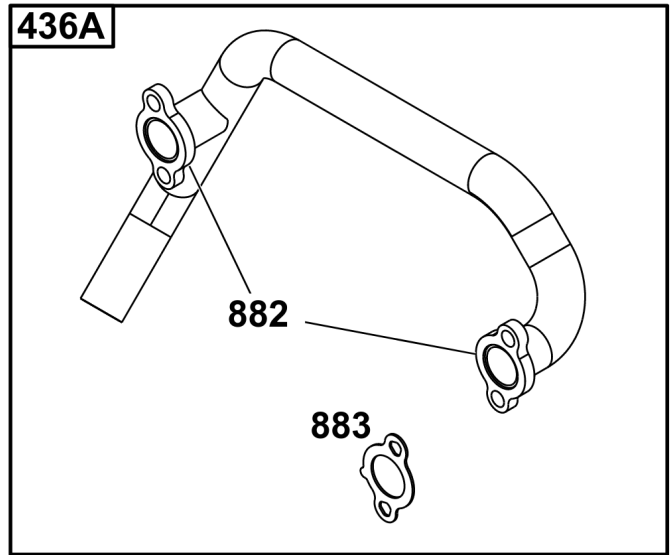
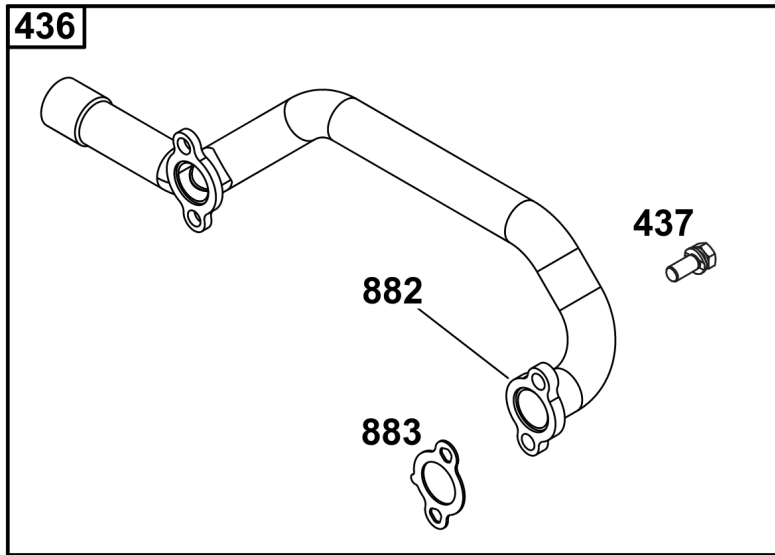
## Starter Motor Side Outlet Mufflers

REF NO	PART NO	QTY	DESCRIPTION
300	690931	1	MUFFLER -(Super Lo-Tone) (Horizontal: 3054, 3564)
300A	690906	1	MUFFLER -(Super Lo-Tone) (Horizontal: 3054, 3564)
300B	808705	1	MUFFLER -(5" Round) (Horizontal: 3854, 3864)
300C	845873	1	MUFFLER -(5" Round, Stainless Steel) (Horizontal: 3854, 3864)
300D	995005	1	MUFFLER ASSY -(Lo-Tone) (Horizontal: 3054, 3564)
300E	692099	1	MUFFLER -(Lo Mount)
436	691499	1	MANIFOLD, Exhaust -(Cylinder 1) (Side Outlet)
740	793859	1	NUT
819	692056	2	SCREW -(Muffler Bracket) (M8x1.25)
819A	691514	2	SCREW -(Muffler Bracket) (M6 X 1.0)
837	808085	2	SPACER, Muffler -(Includes 2)
863	690756	1	BRACKET, Muffler -(Cylinder 1) (Side Outlet)
882	692074	2	FLANGE, Exhaust
882A	806965	2	FLANGE, Exhaust
883	806425	2	GASKET, Exhaust
884	690898	1	CLAMP, Muffler



## Oil Filter Side Outlet Mufflers

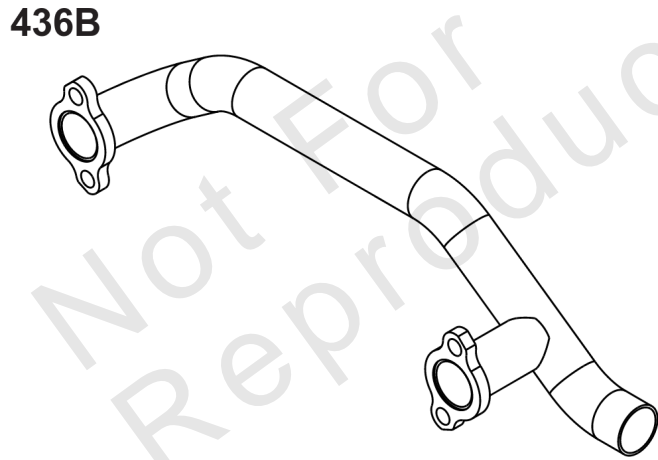
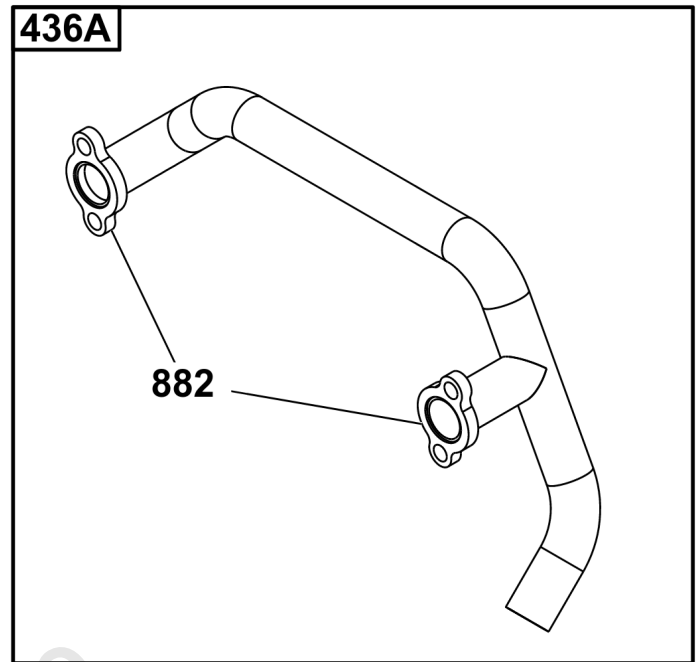
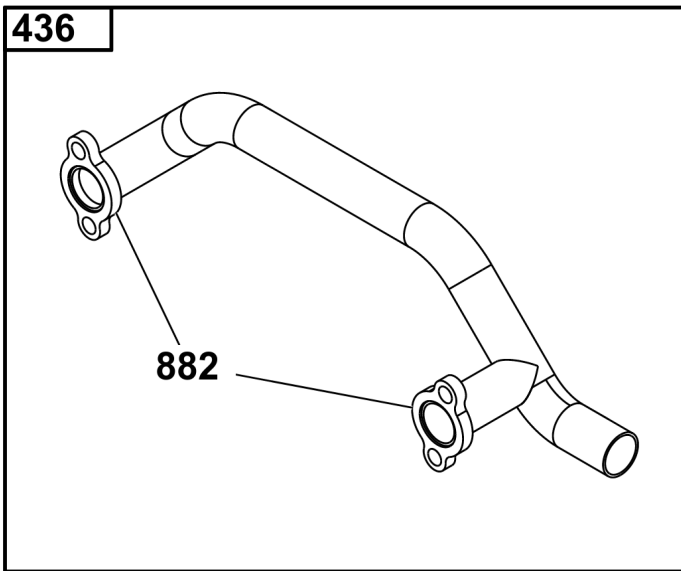
REF NO	PART NO	QTY	DESCRIPTION
300	995002	1	HIGH MNT SPR LO-TONE OIL FLTR SIDE -(Super Lo-Tone) (Horizontal: 3054, 3564) (Vertical: 3567)
300A	995000	1	OIL FILTER SIDE LO-MT -(Lo-Tone) (Horizontal: 3054, 3564) (Requires 808033 Oil Filter Adaptor)
300B	995004	1	HI MNT SPR LO-TONE OIL FLT SIDE -(Super Lo-Tone) (Horizontal: 3854, 3864) (Vertical: 3867)
300C	995009	1	COMMERCIAL MOWERS KIT -(For Wide Area Walker) (Vertical: 3567)
300D	995010	1	COMMERCIAL MOWERS KIT -(Vertical: 3867)
300E	808896	1	MUFFLER
300F	691562	1	MUFFLER -(Super Lo-Tone) (Horizontal: 3054, 3564)
300G	498984S	1	MUFFLER -(Super Lo Tone)
300H	692099	1	MUFFLER -(Lo Mount)
300I	807953	1	MUFFLER
355	842122	2	WASHER -(Muffler Bracket)
436	805609	1	MANIFOLD, Exhaust -(Cylinder 2) (Side Outlet)
436A	692061	1	MANIFOLD, Exhaust -(Cylinder 2) (Side Outlet)
436B	808916	1	MANIFOLD, Exhaust -(Cylinder 2) (Side Outlet)
436C	805778	1	MANIFOLD, Exhaust -(Wide Area Walker)
437	691902	4	SCREW -(Exhaust Manifold)
710	807689	1	COVER, Oil Filter
725	806102	1	SHIELD, Heat
728	690297	2	SCREW
740	793859	1	NUT
819	691514	2	SCREW -(Muffler Bracket) (M6 X 1.0)
819A	807084	2	SCREW -(Muffler Bracket)
819B	692056	2	SCREW -(Muffler Bracket) (M8x1.25)
819C	692062	2	SCREW -(Muffler Bracket)
837	808085	2	SPACER, Muffler -(Includes 2)
863	806759	1	BRACKET, Muffler
863A	691513	1	BRACKET, Muffler
882	692074	2	FLANGE, Exhaust -(3054 & 3564)
882A	806965	2	FLANGE, Exhaust
883	691613	2	GASKET, Exhaust
884	690898	1	CLAMP, Muffler
884A	691956	1	CLAMP, Muffler
988	690687	1	GASKET, Oil Adapter



## Oil Filter Side Outlet Manifolds

REF NO	PART NO	QTY	DESCRIPTION
436	805609	1	MANIFOLD, Exhaust -(Vertical: 3567)
436A	692061	1	MANIFOLD, Exhaust -(Horizontal: 3054, 3564)
436B	691501	1	MANIFOLD, Exhaust -(Horizontal: 3054, 3564)
436C	808908	1	MANIFOLD, Exhaust -(Horizontal: 3854, 3864)
436D	808916	1	MANIFOLD, Exhaust -(Horizontal: 3854, 3864) (Vertical: 3867)
437	691902	4	SCREW -(Exhaust Manifold)
882	692074	2	FLANGE, Exhaust
883	691613	2	GASKET, Exhaust

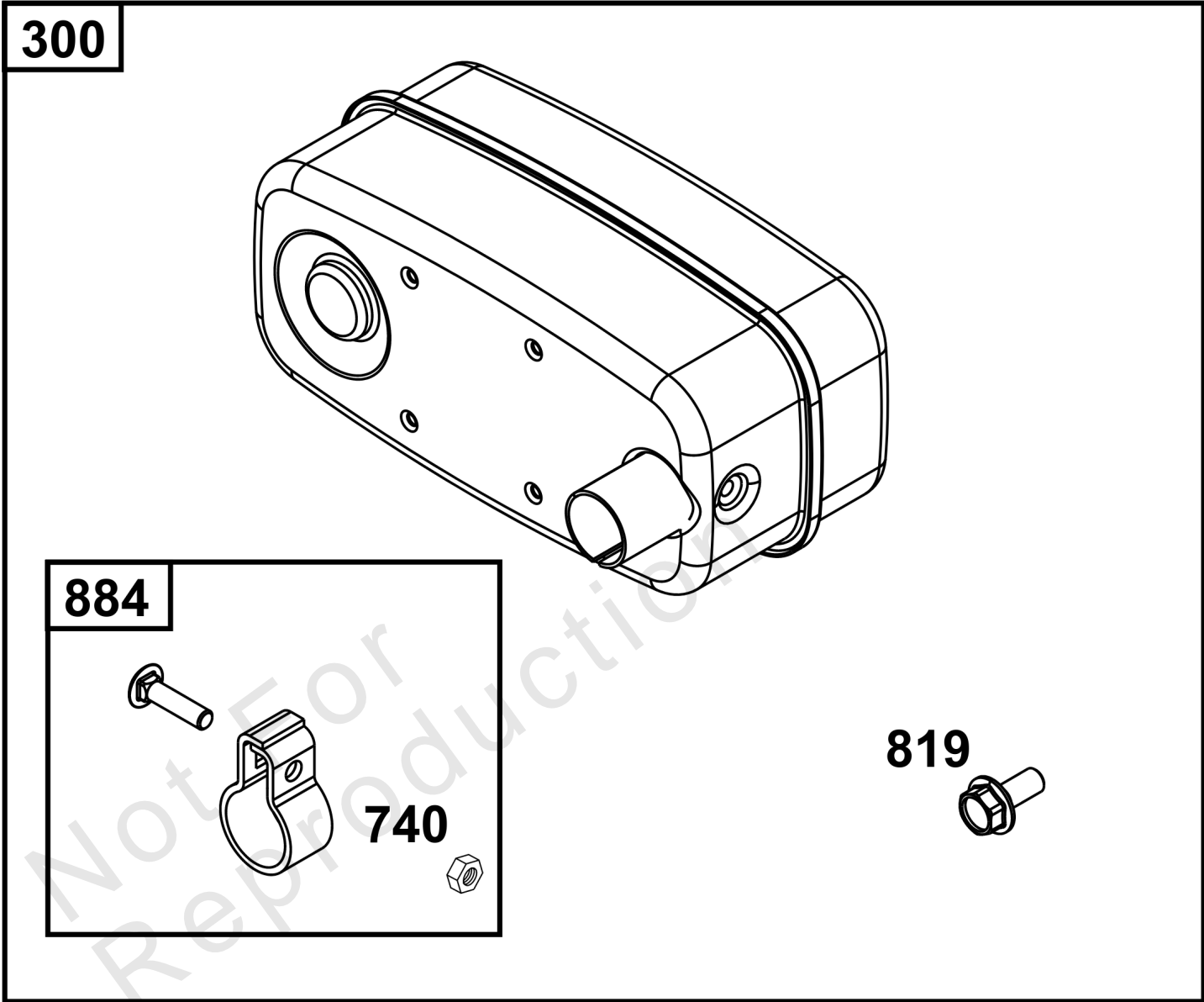
Not For Reproduction



## Starter Motor Side Outlet Manifolds

REF NO	PART NO	QTY	DESCRIPTION
436	691502	1	MANIFOLD, Exhaust -(Horizontal: 3054, 3564)
436A	691499	1	MANIFOLD, Exhaust -(Horizontal: 3054, 3564)
436B	808909	1	MANIFOLD, Exhaust -(Horizontal: 3854, 3864) (Vertical: 3867)
882	692074	2	FLANGE, Exhaust

Not For Reproduction

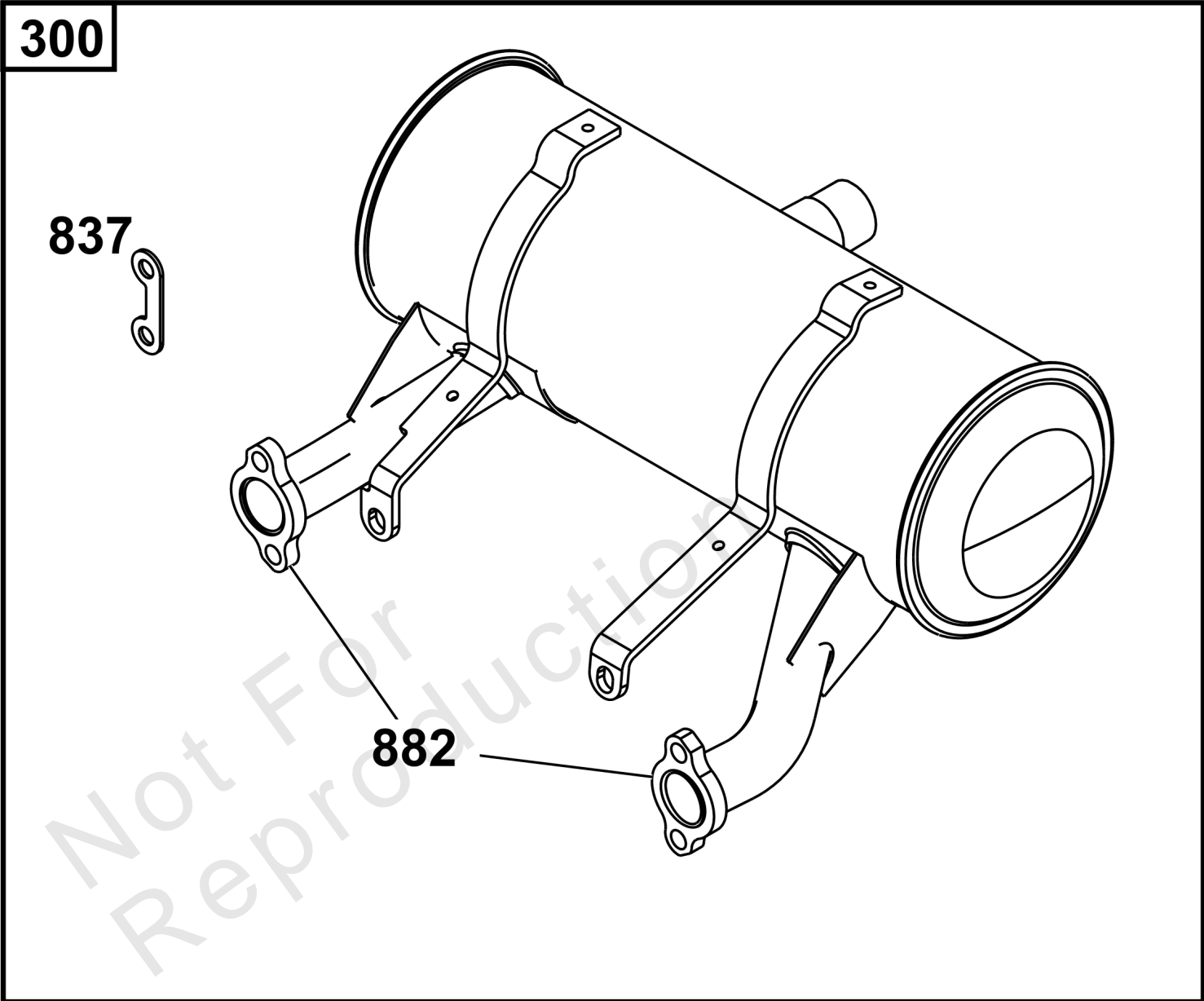




## Mufflers

REF NO	PART NO	QTY	DESCRIPTION
300	995018	1	MUFFLER -(Inlet I.D. 1.14" (28.9mm))
740	793859	1	NUT
819	807084	4	SCREW
884	691956	1	CLAMP, Muffler

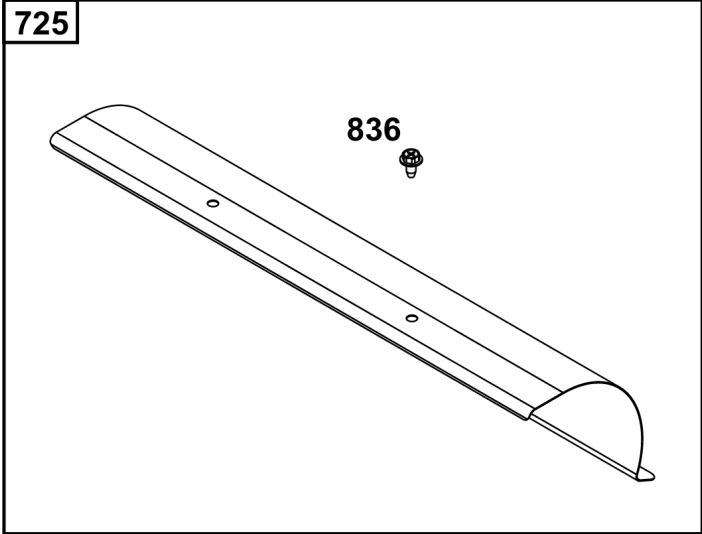
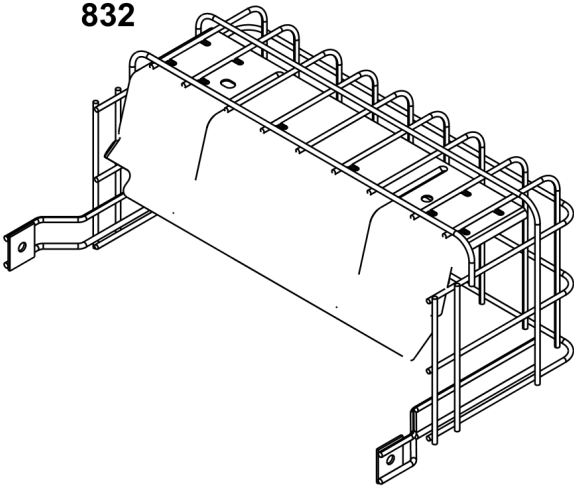
Not For Reproduction



## Center Outlet Mufflers

REF NO	PART NO	QTY	DESCRIPTION
300	808911	1	MUFFLER -(5" Round) (Horizontal: 3854, 3864)
837	808085	2	SPACER, Muffler
882	806965	2	FLANGE, Exhaust

Not For Reproduction

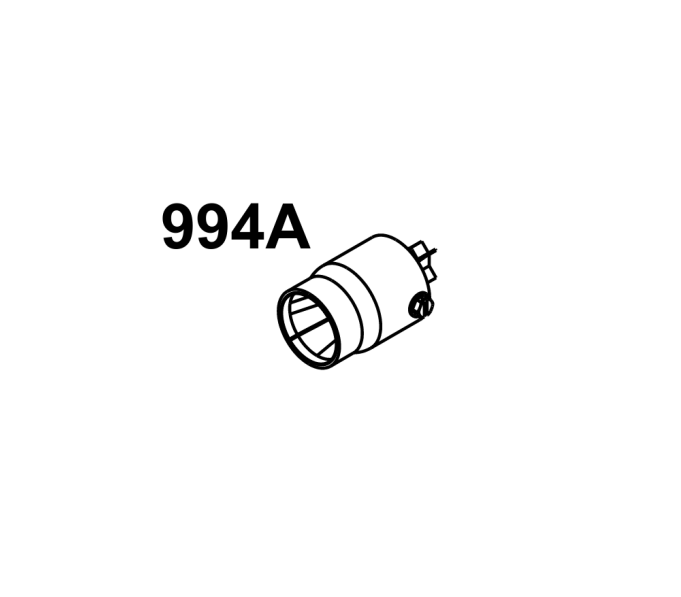
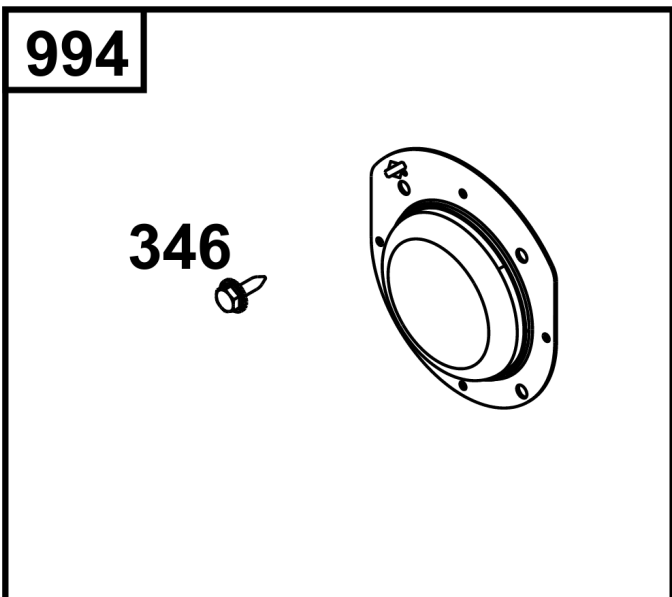
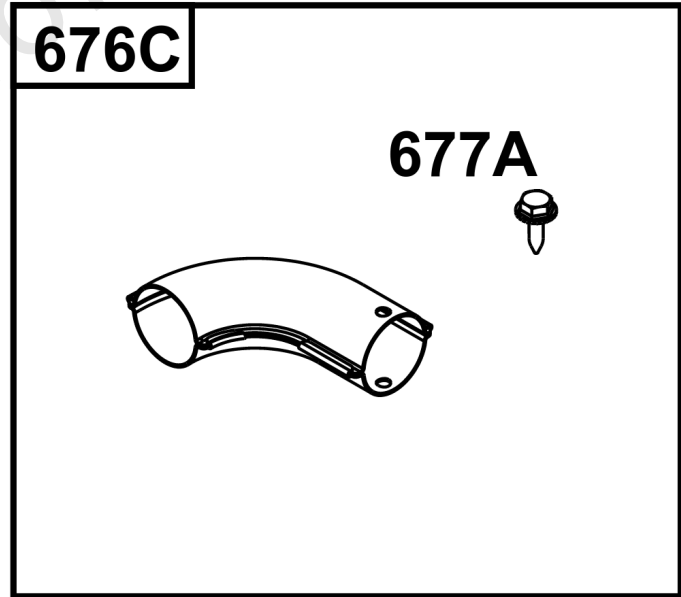
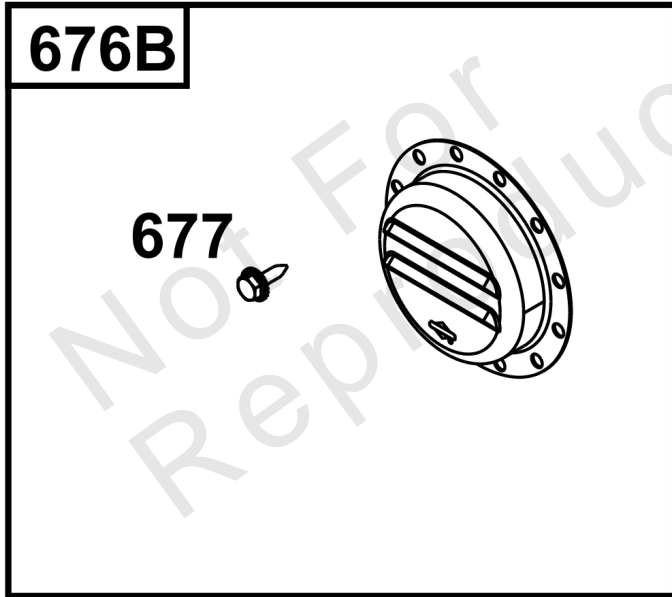
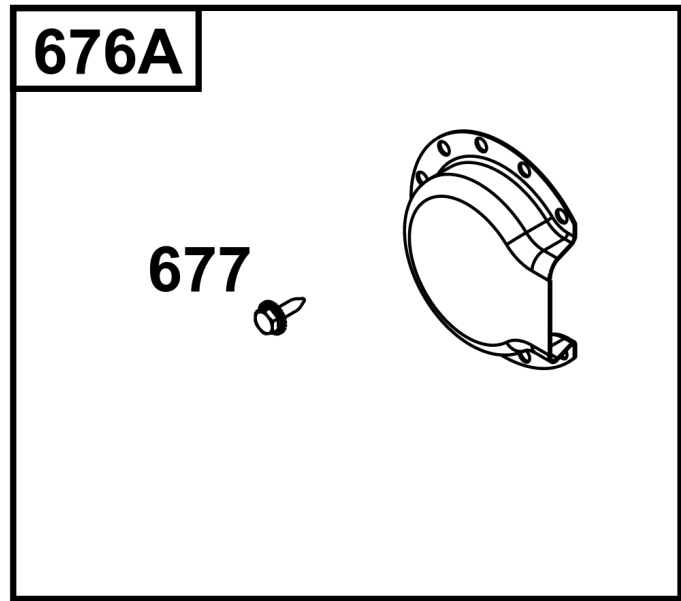
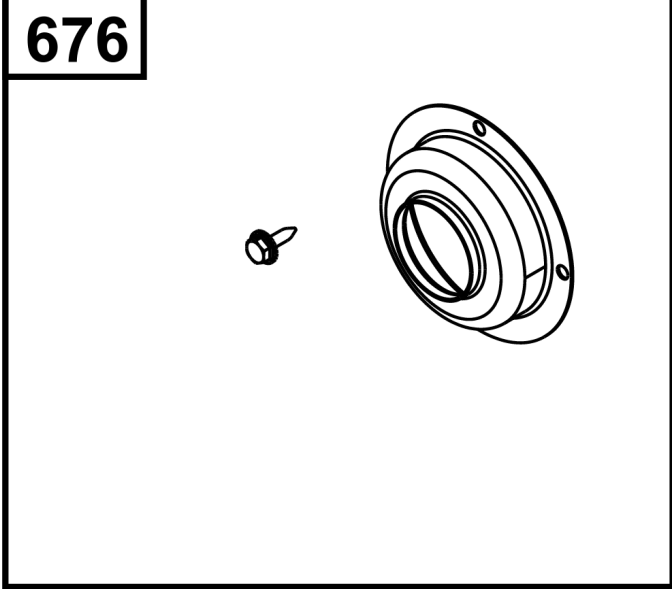


Not For  
Reproduction

## Muffler Guards and Shields

REF NO	PART NO	QTY	DESCRIPTION
725	846568	1	SHIELD, Heat -(For 5" Round Mufflers) (Horizontal: 3854, 3864)
832	691571	1	GUARD, Muffler -(Assembly for 690906 & 691562) (Horizontal: 3054, 3564)
836	692067	4	SCREW

Not For Reproduction



## Spark Arrestors and Deflectors

REF NO	PART NO	QTY	DESCRIPTION
346	794845	4	SCREW -(Spark Arrestor)
676	396903	1	DEFLECTOR, Muffler -(Direct Outlet) (Face Mounting with 4 Screws)
676A	795036	1	DEFLECTOR, Muffler -(Deflector 90 Degree) (Face Mounting with 4 Screws)
676B	795038	1	DEFLECTOR, Muffler -(Deflector Louvered) (Face Mounting with 4 Screws)
676C	495518	1	DEFLECTOR, Muffler -(Elbow for Muffler Assembly) (For Exit Pipe O.D. of 1.10" (28mm))
677	794845	4	SCREW -(Muffler Deflector)
677A	810079	1	SCREW -(Muffler Deflector)
994	794945	1	ARRESTOR, Spark -(Spark Arrestor) (Face Mounting with 4 Screws)
994A	594562	1	ARRESTOR-SPARK -(Spark Arrestor) (For Exit Pipe O.D. of 1.10" (28mm))

Not For Reproduction

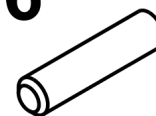
613



1177



296



883



883A



882



882A



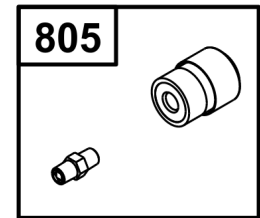
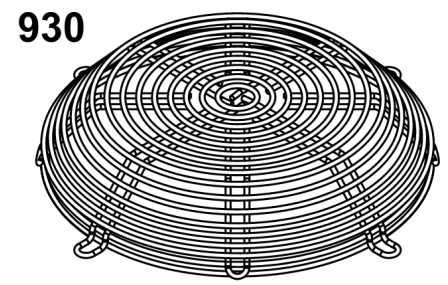
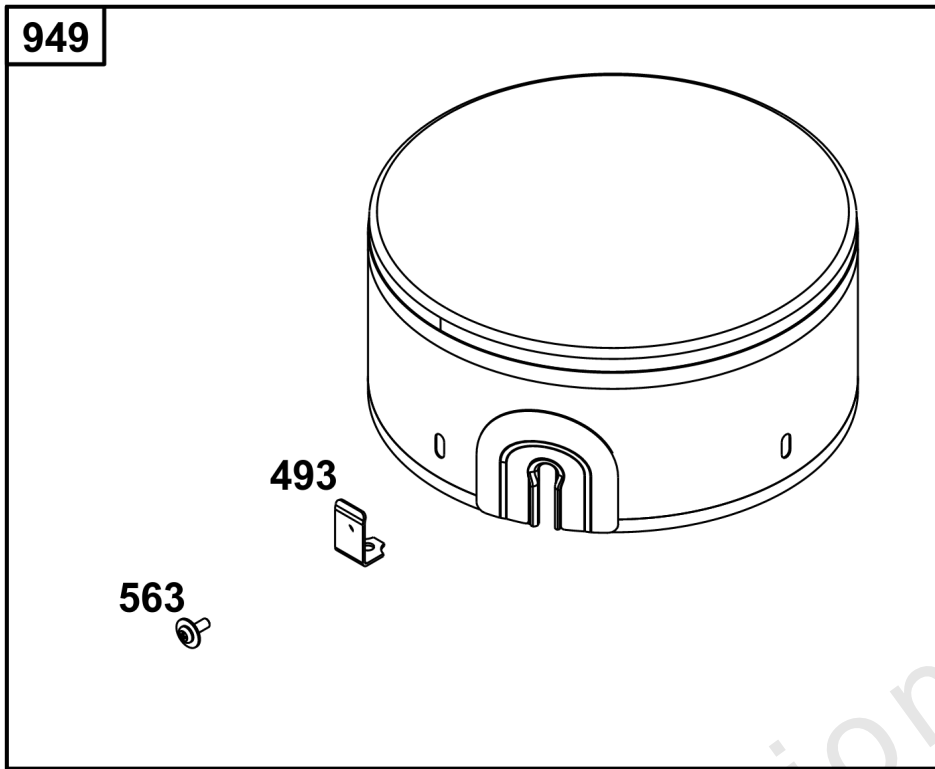
Not for  
Reproduction



## Muffler Mounting Hardware

REF NO	PART NO	QTY	DESCRIPTION
296	841185	4	STUD -(Mounting Mufflers)
613	691902	4	SCREW -(Mounting Mufflers)
882	692074	2	FLANGE, Exhaust -(3054 & 3564)
882A	806965	2	FLANGE, Exhaust -(3854 & 3864)
883	806425	2	GASKET, Exhaust -(Horizontal: 3854, 3864) (Vertical: 3567)
883A	691613	2	GASKET, Exhaust -(Horizontal: 3054, 3564) (Vertical: 3567)
1177	842067	4	NUT -(Required if Using 841185)

Not For Reproduction



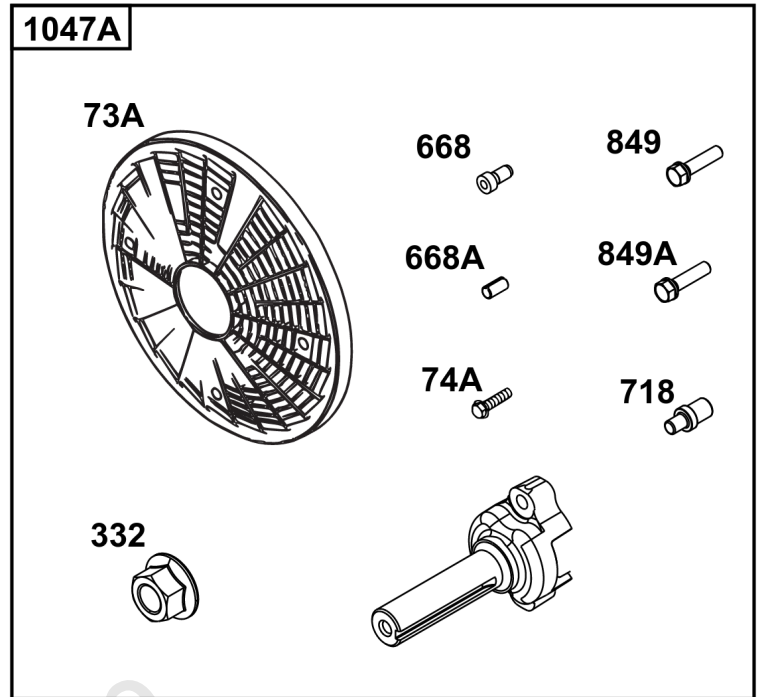
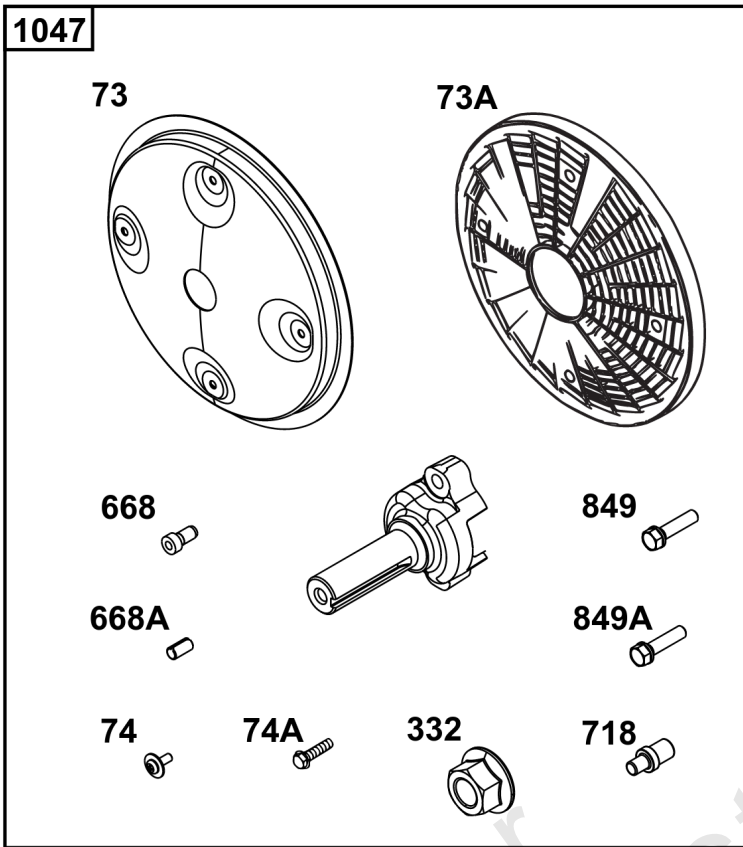
Not For  
Reproduction

## ***Flywheel and Air Intake Guards***

---

<b>REF NO</b>	<b>PART NO</b>	<b>QTY</b>	<b>DESCRIPTION</b>
493	845729	4	BRACKET, Mounting
563	841441	4	SCREW
805	843024	1	MINDER, Filter -(For Engines with Cyclonic Air Filter)
930	846284	1	GUARD, Flywheel Fan
949	845728	1	GUARD, Debris Screen -(Vertical: 3867)

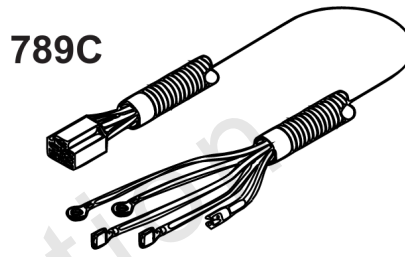
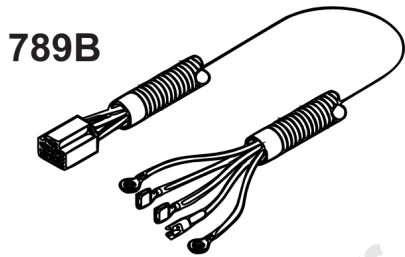
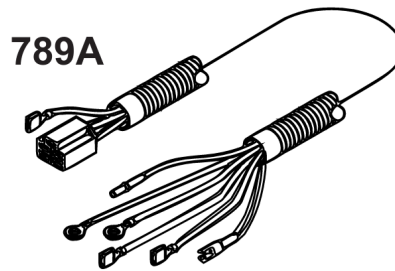
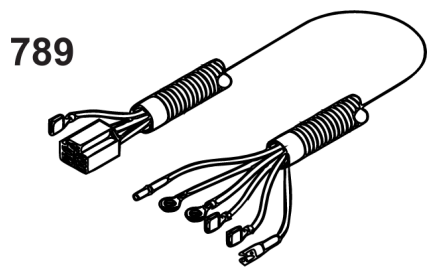
Not For Reproduction



Not For  
Reproduction

## PTO

REF NO	PART NO	QTY	DESCRIPTION
73	841582	1	SCREEN, Rotating
73A	494439	1	SCREEN, Rotating
74	841441	4	SCREW -(Rotating Screen)
74A	691647	4	SCREW -(Rotating Screen)
332	690887	1	NUT -(Flywheel)
668	691500	4	SPACER -(Rotating Screen)
668A	691215	4	SPACER -(Rotating Screen)
718	841581	1	PIN, Locating -(32MM)
849	691088	2	SCREW -(Stub Shaft)
849A	846236	2	SCREW -(Stub Shaft)
1047	841580	1	SHAFT, Stub -(1" Diameter) (4.75" Length)
1047A	842655	1	SHAFT, Stub -(1" Diameter) (5.43" Length)



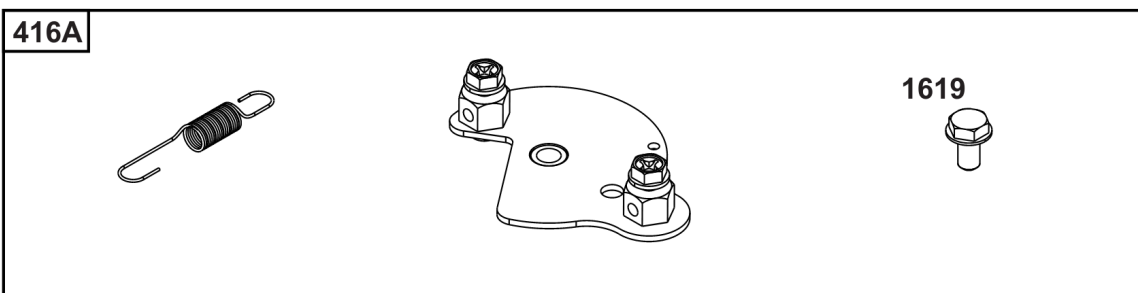
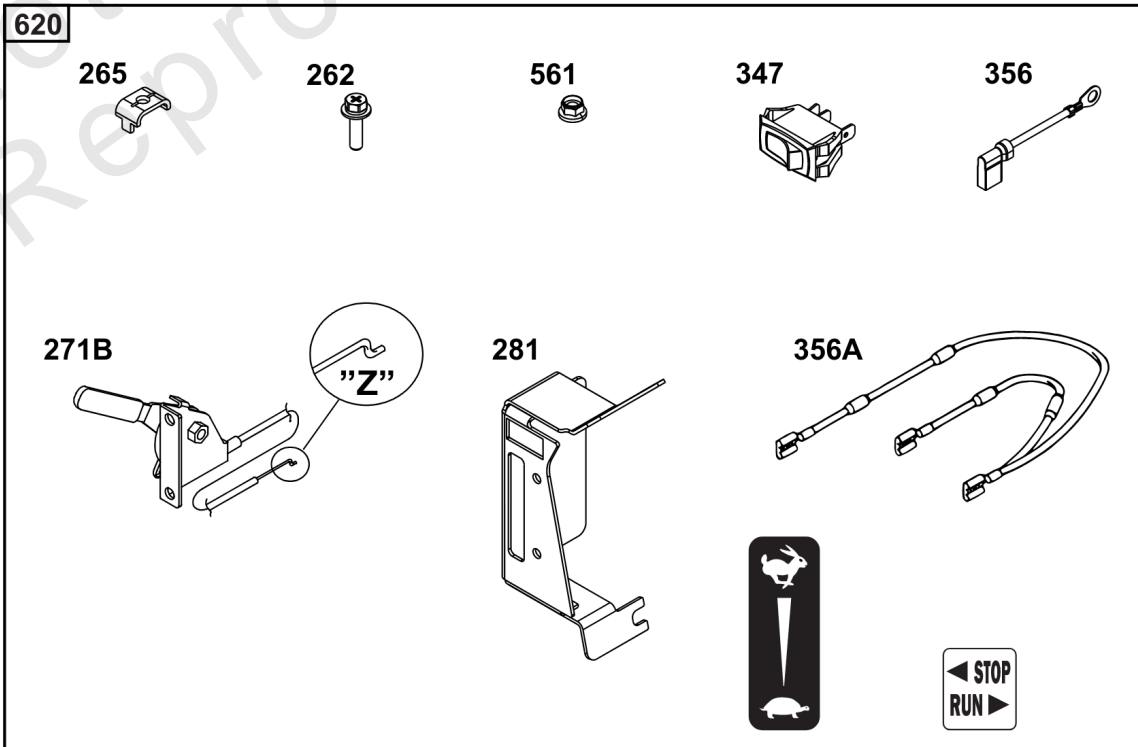
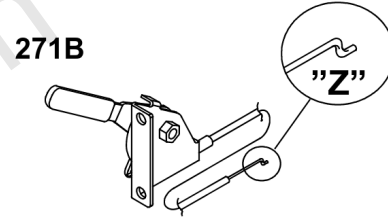
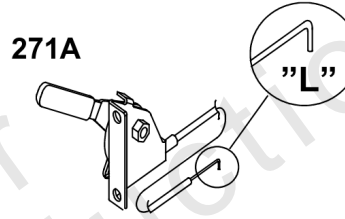
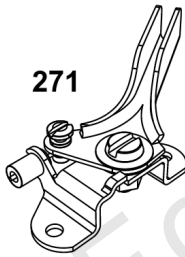
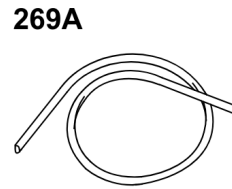
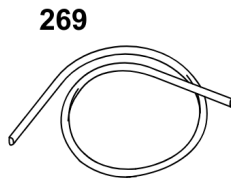
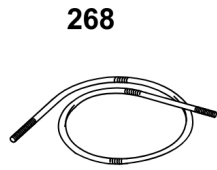
578

LOOSE CONNECTOR:  
TE # 1-480704-0  
MATE-N-LOK 6 POSITION HOUSING

## Electrical

REF NO	PART NO	QTY	DESCRIPTION
415	1714480SM	1	PLUG -(Plug for Ignition Switch Removal)
578	84007350	1	WIRE ASSEMBLY -(Aids in Repowering Engine Application with 6-Pin Connector and Wires with Terminals to Create Custom Adapter Configurations)
789	691996	1	HARNESS, Wiring -(For 16 Amp Alternators)
789A	841318	1	HARNESS, Wiring -(For 16 Amp Alternators with Solenoid Shift Starter)
789B	847601	1	HARNESS, Wiring -(For 20 Amp Alternators)
789C	847602	1	HARNESS, Wiring -(For 20 Amp Alternators with Solenoid Shift Starter)

Not For Reproduction





## Speed Control

REF NO	PART NO	QTY	DESCRIPTION
262	841552	1	SCREW
265	691024	1	CLAMP, Casing -(Casing Clamp for Hard Casing)
265A	690798	1	CLAMP, Casing -(Casing Clamp for Soft Casing)
267	792629	1	SCREW -(Screw for Casing Clamp)
268	691025	1	CASING, Control Wire -(Wire Casing 72")
269	26634	1	WIRE, Control -(Control Wire 78")
269A	93907	1	WIRE, Control -(Control Wire 100")
270	691027	1	NUT -(Nut for Wire Casing)
271	691028	1	LEVER, Control -(Speed Control Lever Assembly)
271A	692105	1	LEVER, Control -(Speed Control Lever Assembly) ('L' Shaped End)
271B	692541	1	LEVER, Control -(Speed Control Lever Assembly) ('Z' Shaped End)
281	690742	1	PANEL, Control
347	691995	1	SWITCH-ROCKER
356	690796	1	WIRE, Stop
356A	691999	1	WIRE ASSEMBLY
416	595196	1	BRACKET, Throttle Cable -(Casing Clamp for Snap-In Casing)
416A	84006945	1	BRACKET, Throttle Cable
561	806447	1	NUT
620	494052	1	BRACKET, Control -(Throttle Control for Vanguard V-Twin Horizontal Small Block)
1619	691693	1	SCREW

