

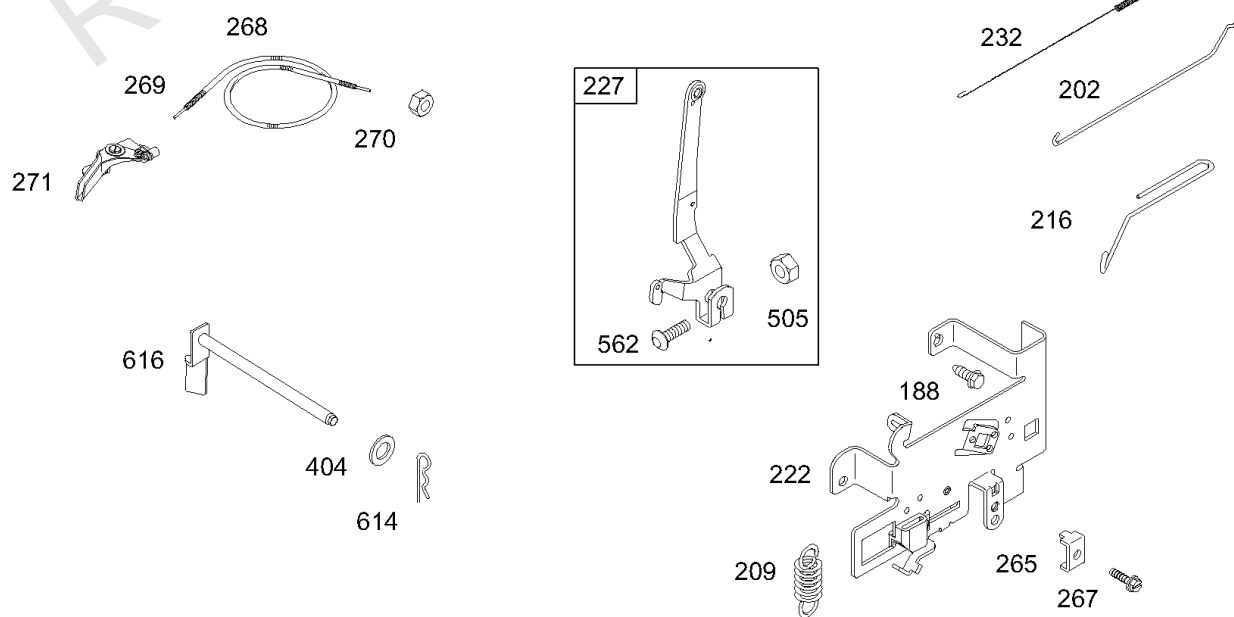
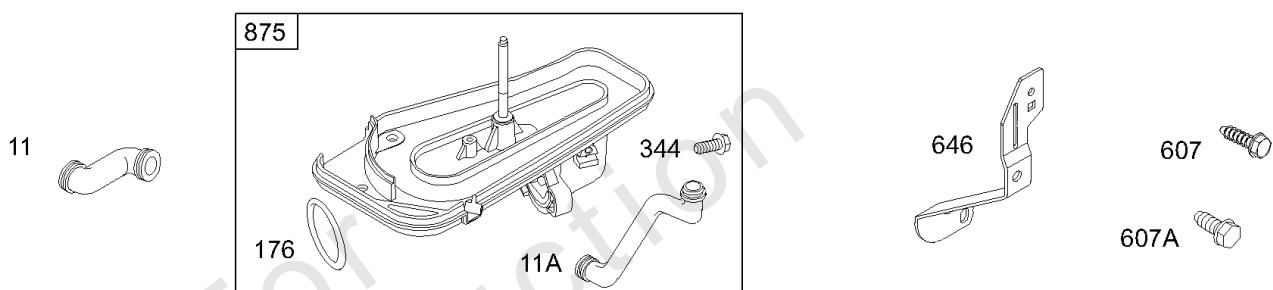
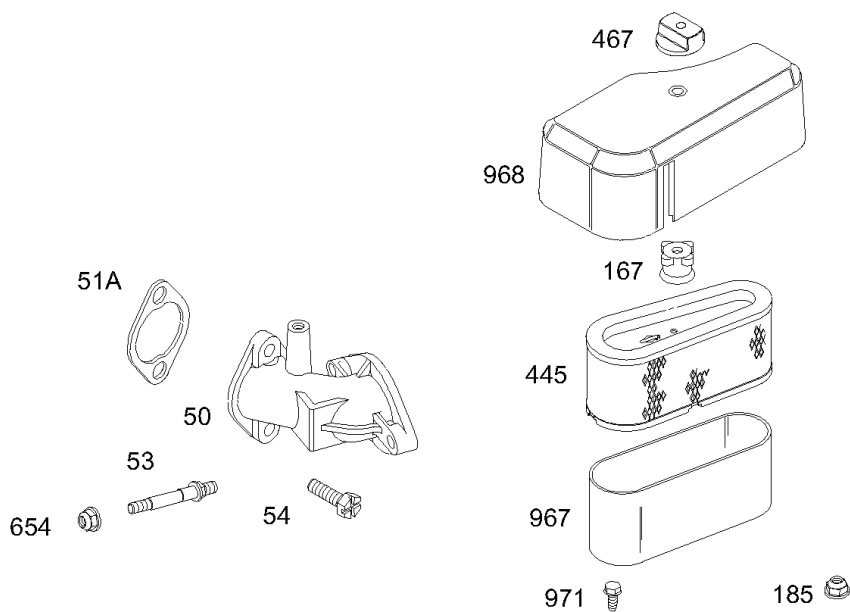


Parts Manual

Mfg. No: 28T707-1154-E1

Model Components	Page
Air Cleaner, Controls, Springs, Intake.	4
Blower Housing, Alternator, Flywheel, Magneto.	6
Carburetors, Gaskets.	10
Cylinder, Piston, Crankshaft, Sump, Gaskets, Head.	14
Electric Starters.	20
Replacement Engine - Europe, Middle East & Africa.	24
Replacement Engine - US & Canada.	25

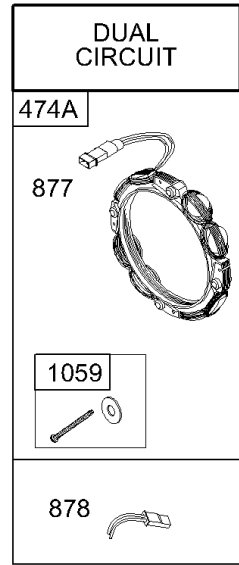
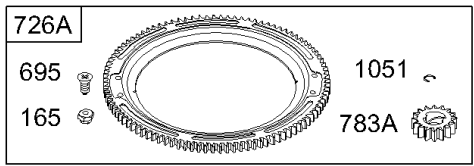
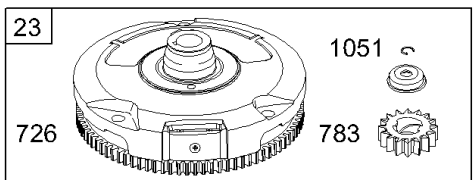
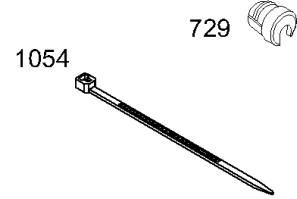
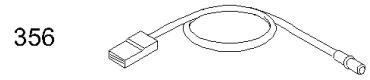
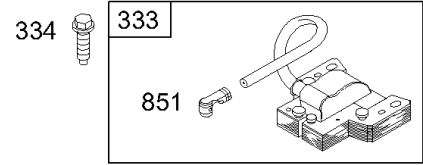
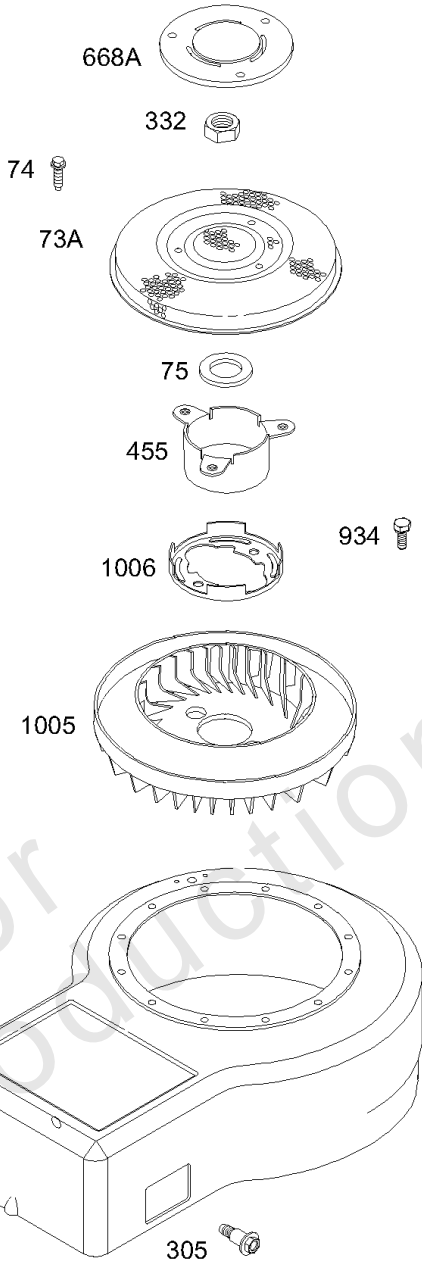
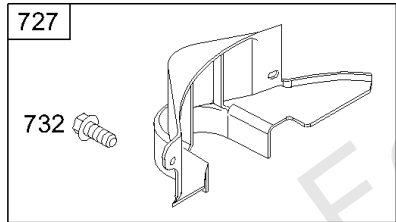
Not For
Reproduction



Air Cleaner, Controls, Springs, Intake

REF NO	PART NO	QTY	DESCRIPTION
11	692253		TUBE, Breather
11A	691328		TUBE, Breather
50	691711		MANIFOLD, Intake
51A	272554S		GASKET, Intake
53	690227		STUD -(Carburetor)
54	690953		SCREW -(Intake Manifold)
167	692297		SEAL-A/C NUT
176	691917		SEAL, O-Ring -(Air Cleaner Base)
185	690958		NUT -(Air Cleaner Base)
188	691693		SCREW -(Control Bracket)
202	691841		LINK, Mechanical Governor
209	690480		SPRING, Governor -(Red)
216	691840		LINK, Choke
222	694042		BRACKET, Control
227	691374		LEVER, Governor Control
232	691842		SPRING, Governor Link
265	691024		CLAMP, Casing
267	690804		SCREW -(Casing Clamp)
268	691025		CASING, Control Wire -(Cut To Required Length)
269	691026		WIRE, Control -(Cut To Required Length)
270	691027		NUT -(Control Wire Casing)
271	691028		LEVER, Control
344	693675		SCREW -(Cable Clamp)
404	691691		WASHER -(Governor Crank)
445	496894S		FILTER-A/C CARTRIDGE
467	691668		KNOB, Air Cleaner Cover
505	691251		NUT -(Governor Control Lever)
562	691119		BOLT -(Governor Control Lever)
607	690703		SCREW -(Air Cleaner Brace)
607A	691693		SCREW -(Air Cleaner Brace)
614	691620		PIN, Cotter
616	692012		CRANK, Governor
646	690460		BRACE, Air Cleanr
654	690958		NUT -(Carburetor)
875	696129		BASE, Air Cleaner -(Plastic)
967	272403S		FILTER-PRE CLEANER
968	691916		COVER, Air Cleaner
971	691108		SCREW -(Air Cleaner Base to Carburetor)

1036 EMISSION LABEL



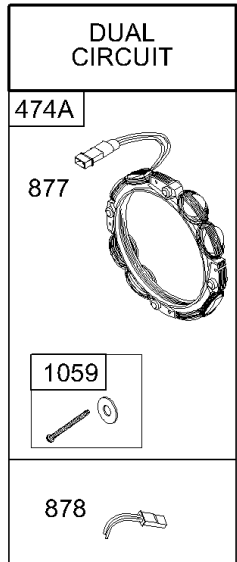
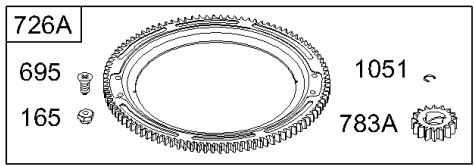
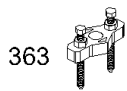
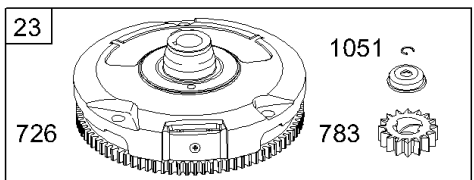
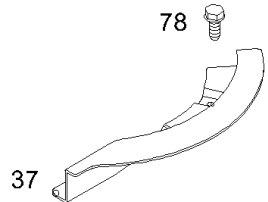
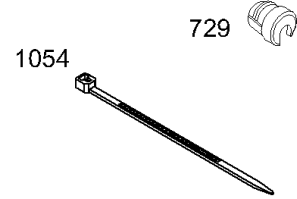
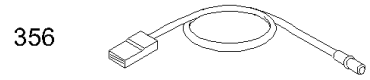
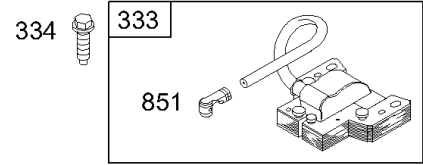
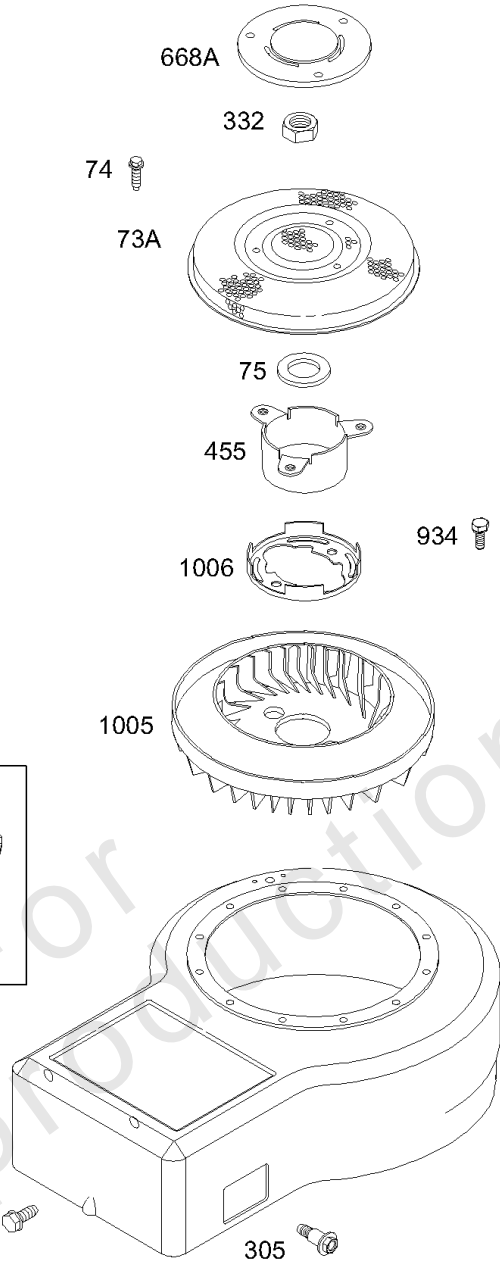
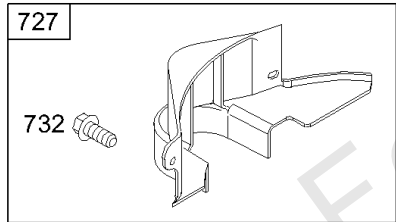
NOTE: All Stators Use No. 1119 Mounting Screw.



Blower Housing, Alternator, Flywheel, Magneto

REF NO	PART NO	QTY	DESCRIPTION
23	693557		FLYWHEEL -(Steel Ring Gear)
37	690456		GUARD, Flywheel
73A	691748		SCREEN-ROTATING
74	691655		SCREW -(Rotating Screen)
75	690582		WASHER -(Flywheel)
78	690661		SCREW -(Flywheel Guard)
165	693148		NUT -(Ring Gear)
304	690846		HOUSING, Blower
305	692198		SCREW -(Blower Housing)
305A	692127		SCREW -(Blower Housing)
332	690662		NUT -(Flywheel)
333	492341		ARMATURE, Magneto
334	691061		SCREW -(Magneto Armature)
356	690799		WIRE, Stop
363	19203		PULLER, Flywheel
455	691173		CUP, Flywheel
474A	696459		ALTERNATOR -(Dual Circuit)
668A	691323		SPACER
695	693109		SCREW -(Ring Gear)
726	-----		Gear-Ring -(Steel)(See Reference 23 for Service)
726A	696537		GEAR, Ring -(Aluminum)(Services Plastic Ring Gear Only)
727	490324		COVER, Starter Drive -(Includes Mounting Hardware)
729	690596		CLIP, Wire
732	691002		SCREW -(Starter Drive Cover)
783	693713		GEAR, Pinion -(Steel Ring Gear)
783A	695708		GEAR-PINION -(Aluminum And Plastic Ring Gears)
851	493880S		TERMINAL-SPARK PLUG
877	393456		WIRE/CONNECTOR, Alternator
878	691237		HARNESS, Alternator
934	691058		SCREW -(Fan Retainer)
1005	691905		FAN, Flywheel
1006	690452		RETAINER, Fan
1036	499362		LABEL, Emissions -Used Before Code Date 99010400
1036	694325		LABEL, Emissions -Used After Code Date 99010300 -Used Before Code Date 99100100
1036	695036		LABEL, Emissions -Used After Code Date 99093000 -Used Before Code Date 00070300

1036 EMISSION LABEL



NOTE: All Stators Use No. 1119 Mounting Screw.

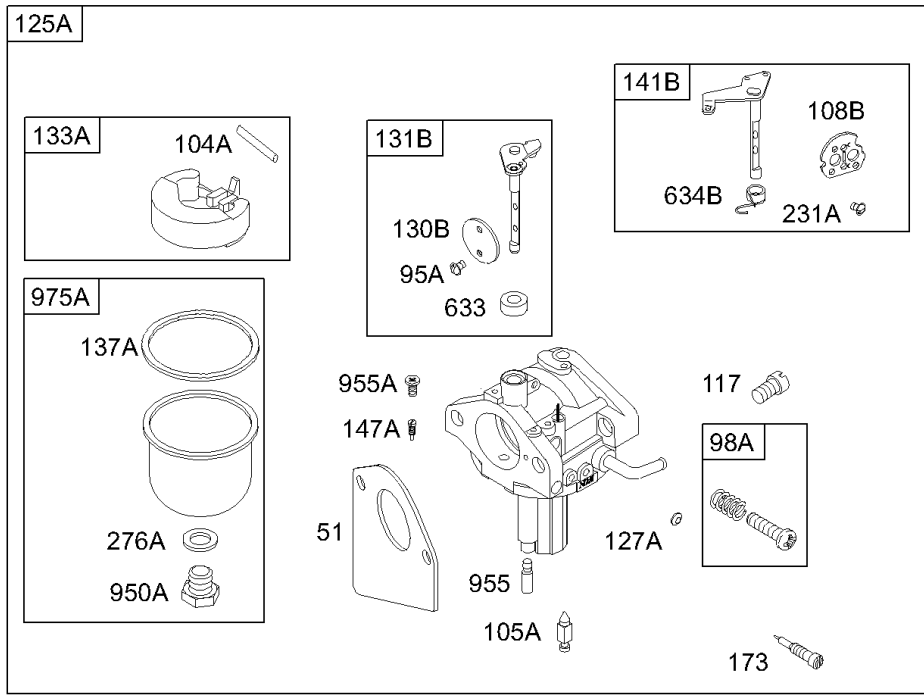


Blower Housing, Alternator, Flywheel, Magneto

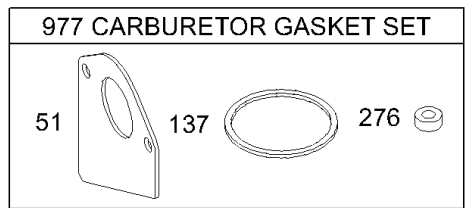
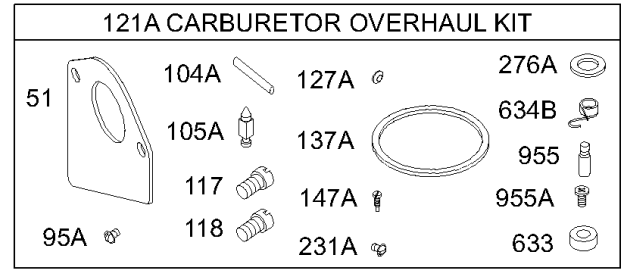
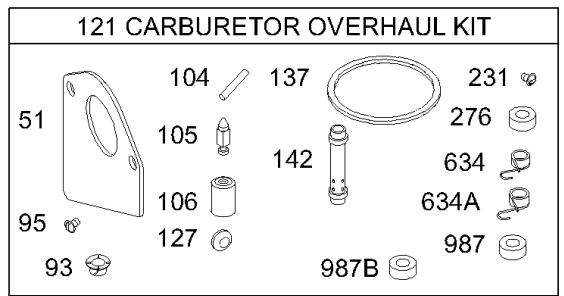
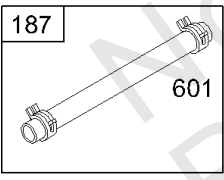
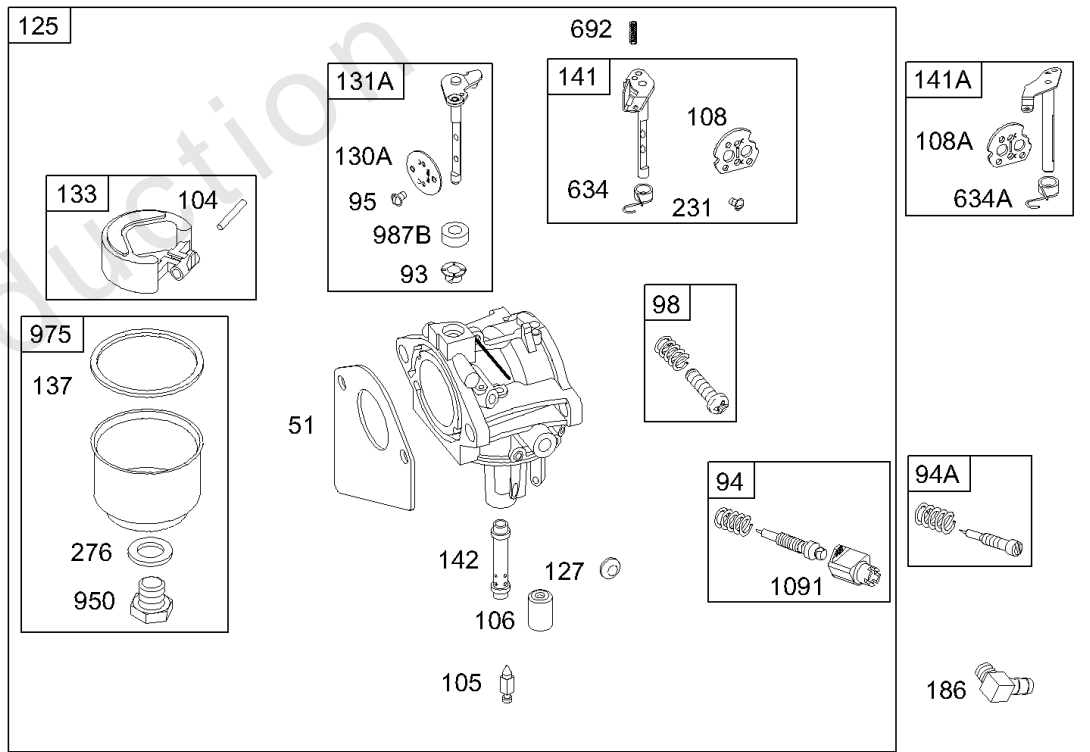
REF NO	PART NO	QTY	DESCRIPTION
1036	696770		LABEL, Emissions -Used After Code Date 01093000
1036	695699		LABEL, Emissions -Used After Code Date 00070200 -Used Before Code Date 01100100
1051	691265		RING, Retaining
1054	280275		TIE, Cable
1059	698516		KIT, Screw/Washer -(Alternator)
1119	691183		SCREW -(Alternator)

Not For Reproduction

NIKKI

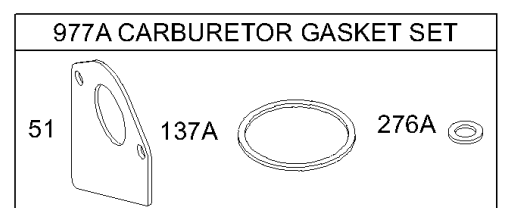


WALBRO



WALBRO

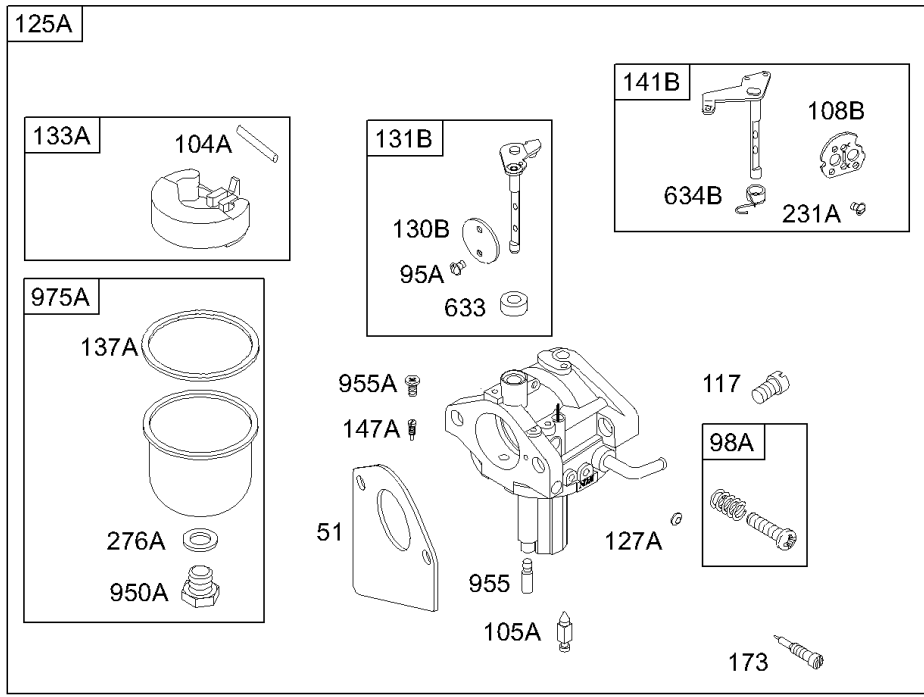
NIKKI



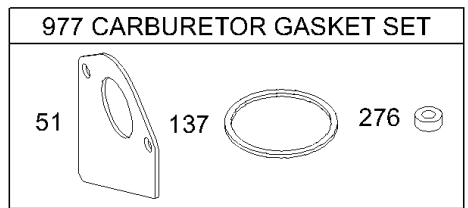
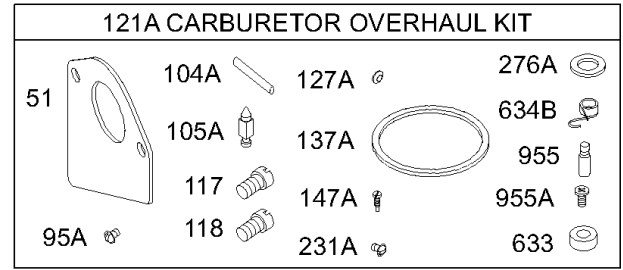
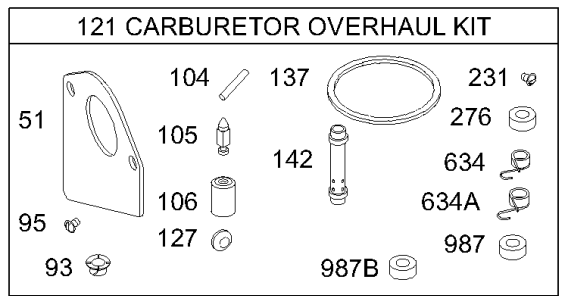
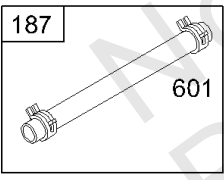
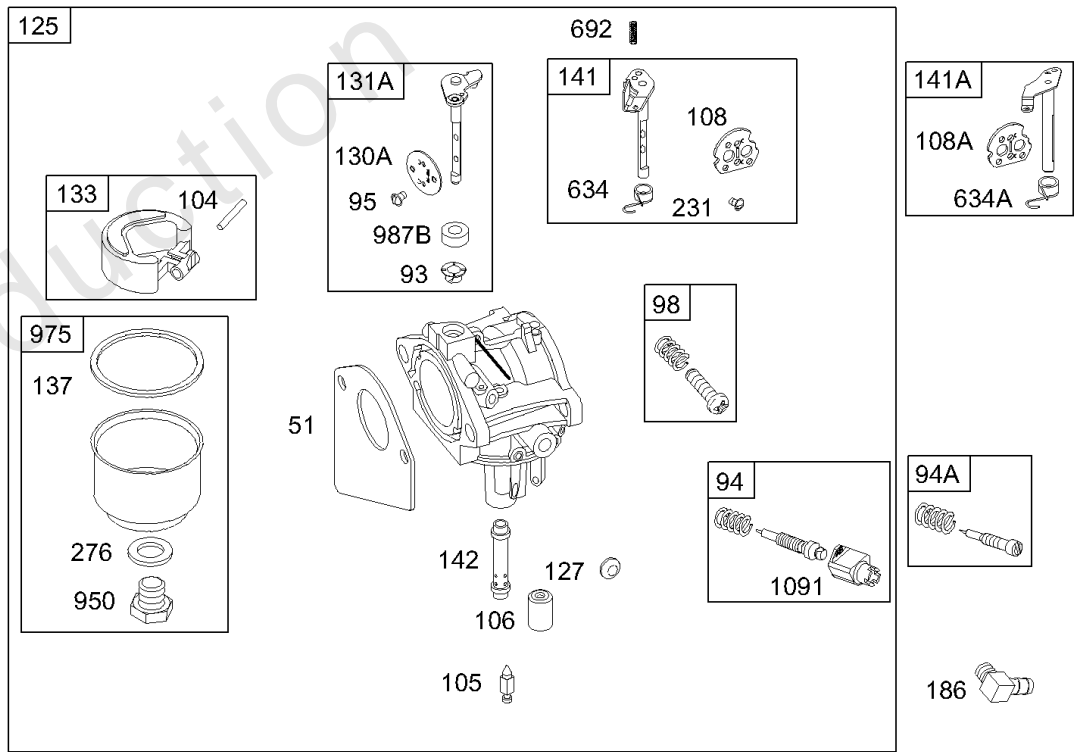
Carburetors, Gaskets

REF NO	PART NO	QTY	DESCRIPTION
51	692284		GASKET, Intake
93	690602		BUSHING, Throttle Shaft
94	498030		KIT, Idle Mixture -(Lmt 153154,155,156)
94A	494383		KIT, Idle Mixture -(Lmt 71,101,102,113,114,116)
95	691636		SCREW -(Throttle Valve)
95A	690718		SCREW -(Throttle Valve)
98	495800		KIT, Idle Speed -(Idle Speed) (Lmt 54, 55, 91)
98A	694907		KIT, Idle Speed
104	690525		PIN, Float Hinge
104A	694918		PIN, Float Hinge
105	231855S		VALVE-FLOAT NEEDLE
105A	694922		VALVE, Float Needle
106	690577		SEAT, Inlet -(Gravity Feed)
106	691780		SEAT, Inlet -(Pump Feed)(LMT 168, 169)
108	690464		VALVE, Choke -(Manual Choke)
108A	692344		VALVE, Choke -(Choke A Matic)
108B	694923		VALVE, Choke
117	690880		JET, Main -(Standard)
118	694925		JET, Main -(High Altitude)
121	697884		KIT, Carburetor Overhaul -(LMT 696160, 696162, 696164, 696166)
121	499220		KIT, Carburetor Overhaul
121A	694930		KIT, Carburetor Overhaul -(Nikki)
125	698171		CARBURETOR -(696160, 696162, 696164, 696166, 697212, 697213, 697214, 697906)
125	498027		CARBURETOR -(GRAVITY FEED)(LMT 1, 2, 3, 4, 5, 6, 7, 32, 37, 38, 39, 40, 41, 63, 64,65, 66, 77, 78, 79, 80, 81, 92, 93, 94, 95, 96, 97, 108, 111, 133, 134,135, 136, 162, 163, 164, 165)
125A	694941		CARBURETOR -(Nikki)
127	695005		PLUG, Welch
127A	694916		PLUG, Welch
130A	691750		VALVE, Throttle
130B	694917		VALVE, Throttle
131A	494379		KIT, Throttle Shaft
131B	694909		KIT, Throttle Shaft
133	494381		FLOAT, Carburetor
133A	694914		FLOAT, Carburetor
137	281165S		GASKET, Float Bowl
137A	694920		GASKET, Float Bowl
141	495097		KIT, Choke Shaft -(Manual Choke)
141A	495931		KIT, Choke Shaft -(Choke A Matic)

NIKKI

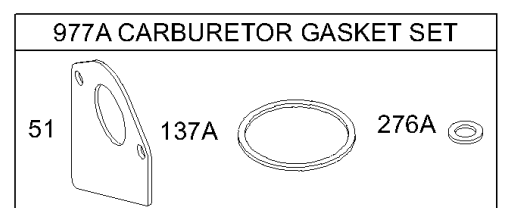


WALBRO



WALBRO

NIKKI

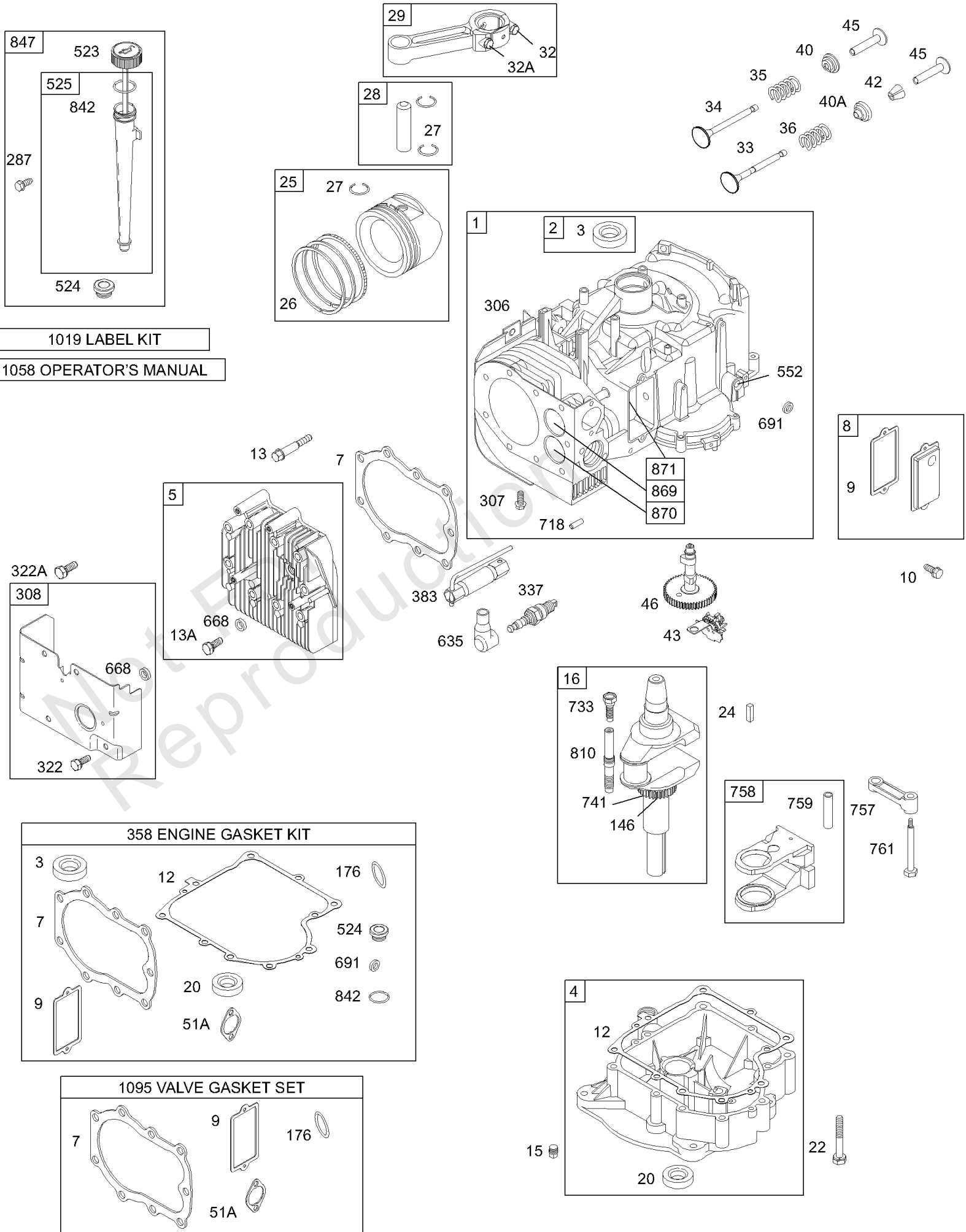


Carburetors, Gaskets

REF NO	PART NO	QTY	DESCRIPTION
141B	694913		KIT, Choke Shaft
142	691434		NOZZLE, Carburetor -(Standard)
143	497737		NOZZLE, Carburetor -(High Altitude)
147A	694927		JET, Pilot
173	694926		VALVE, Idle Mixture
186	692317		CONNECTOR-HOSE
187	691050		LINE, Fuel -(Cut To Required Length)
231	691636		SCREW -(Choke Valve)
231A	690718		SCREW -(Choke Valve)
240	298090S		FILTER, Fuel
276	692255		WASHER, Sealing
276A	690997		WASHER, Sealing
601	95162S		CLAMP, Hose
633	690998		SEAL, Choke/Throttle Shaft
634	690801		SPRING/SEAL ASSEMBLY -(Manual Choke)
634A	690802		SPRING/SEAL ASSEMBLY -(Choke A Matic)
634B	694912		SPRING/SEAL ASSEMBLY
692	690572		SPRING, Detent
950	691657		SCREW -(Float Bowl)
950A	694919		SCREW -(Float Bowl)
955	694924		PLUG, Carburetor -(Idle Chamber)
955A	694921		PLUG, Carburetor -(Pilot Jet)
975	495933		BOWL, Float -(Float Bowl)
975A	694908		BOWL, Float
977	690192		SET, Carburetor Gasket
977A	694931		SET, Carburetor Gasket
987	691326		SEAL, Choke/Throttle Shaft
987B	692001		SEAL, Choke/Throttle Shaft
1091	691333		CAP, Limiter

Cylinder, Piston, Crankshaft, Sump, Gaskets, Head

Mfg. No: 28T707-1154-E1



1019 LABEL KIT

1058 OPERATOR'S MANUAL

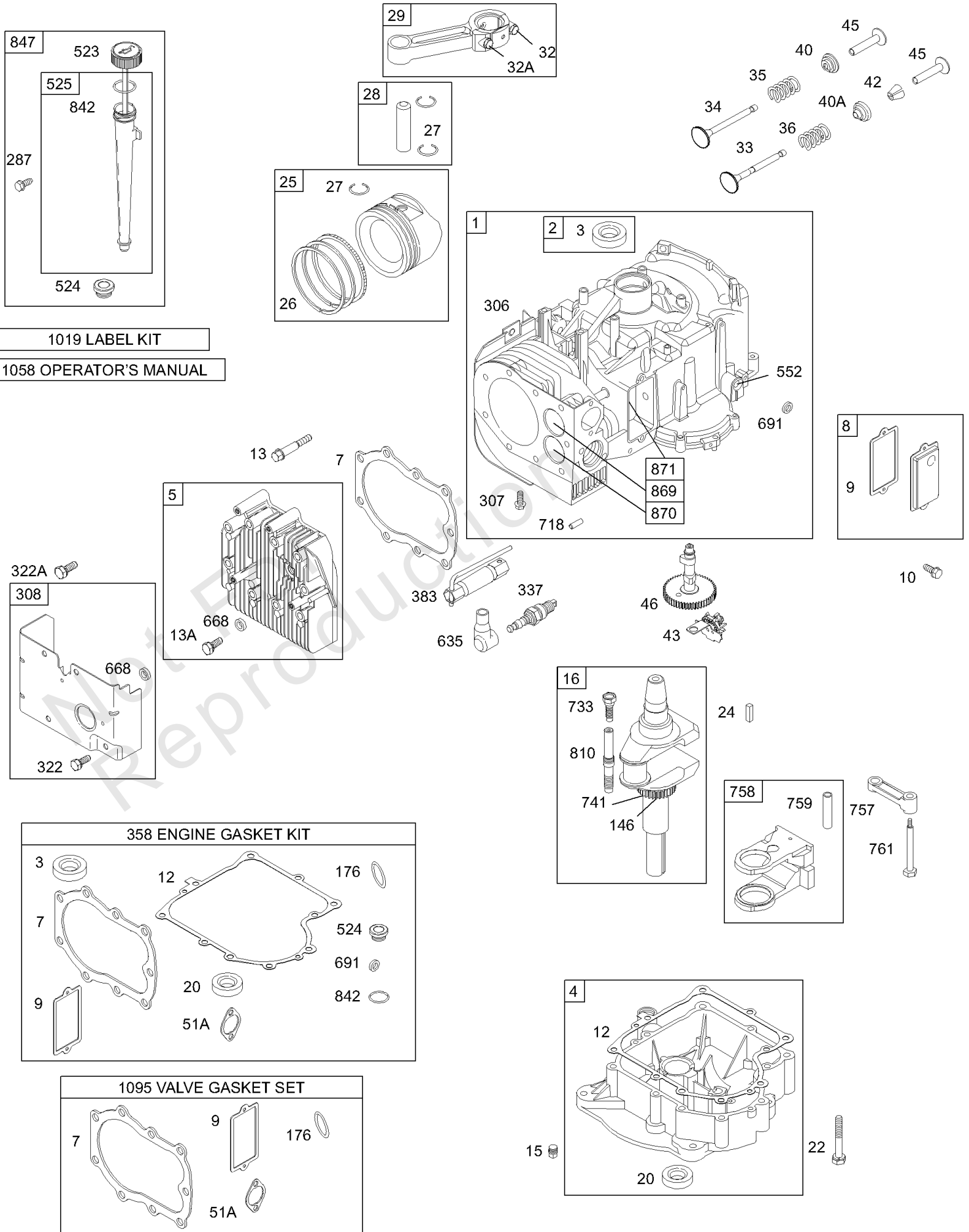
Reproducible

Cylinder, Piston, Crankshaft, Sump, Gaskets, Head

REF NO	PART NO	QTY	DESCRIPTION
1	496413		CYLINDER ASSEMBLY
2	399265		KIT, Bushing/Seal -(Magneto Side)
3	391086S		SEAL, Oil -(Magneto Side)
4	494238		SUMP, Engine
5	494240		HEAD, Cylinder
7	271866S		GASKET, Cylinder Head
8	495735		BREATHER ASSEMBLY
9	27803S		GASKET, Breather
10	691666		SCREW -(Breather Assembly)
12	692405		GASKET, Crankcase -(.009)
12	692406		GASKET, Crankcase -(.005)
12	692226		GASKET, Crankcase -(.015)(Standard)
13	690904		SCREW -(Cylinder Head)
13A	691687		SCREW -(Cylinder Head)
15	691680		PLUG, Oil Drain
16	693944		CRANKSHAFT
20	291675S		SEAL, Oil -(PTO Side)
22	692125		SCREW -(Crankcase Cover/Sump)
24	222698S		KEY, Flywheel
25	499292		PISTON ASSEMBLY -(.020 Oversize) -Used Before Code Date 01060700
25	696397		PISTON ASSEMBLY -(Standard) -Used After Code Date 01060600
25	696399		PISTON ASSEMBLY -(.020 Oversize) -Used After Code Date 01060600
25	696400		PISTON ASSEMBLY -(.030 Oversize) -Used After Code Date 01060600
25	499284		PISTON ASSEMBLY -(Standard) -Used Before Code Date 01060700
26	499996		SET, Ring -(Standard) -Used Before Code Date 01060700
26	499998		SET, Ring -(.020 Oversize) -Used Before Code Date 01060700
26	696403		SET, Ring -(Standard) -Used After Code Date 01060600
26	696404		SET, Ring -(.010 Oversize) -Used After Code Date 01060600
26	696405		SET, Ring -(.020 Oversize) -Used After Code Date 01060600
26	696406		SET, Ring -(.030 Oversize) -Used After Code Date 01060600

Cylinder, Piston, Crankshaft, Sump, Gaskets, Head

Mfg. No: 28T707-1154-E1

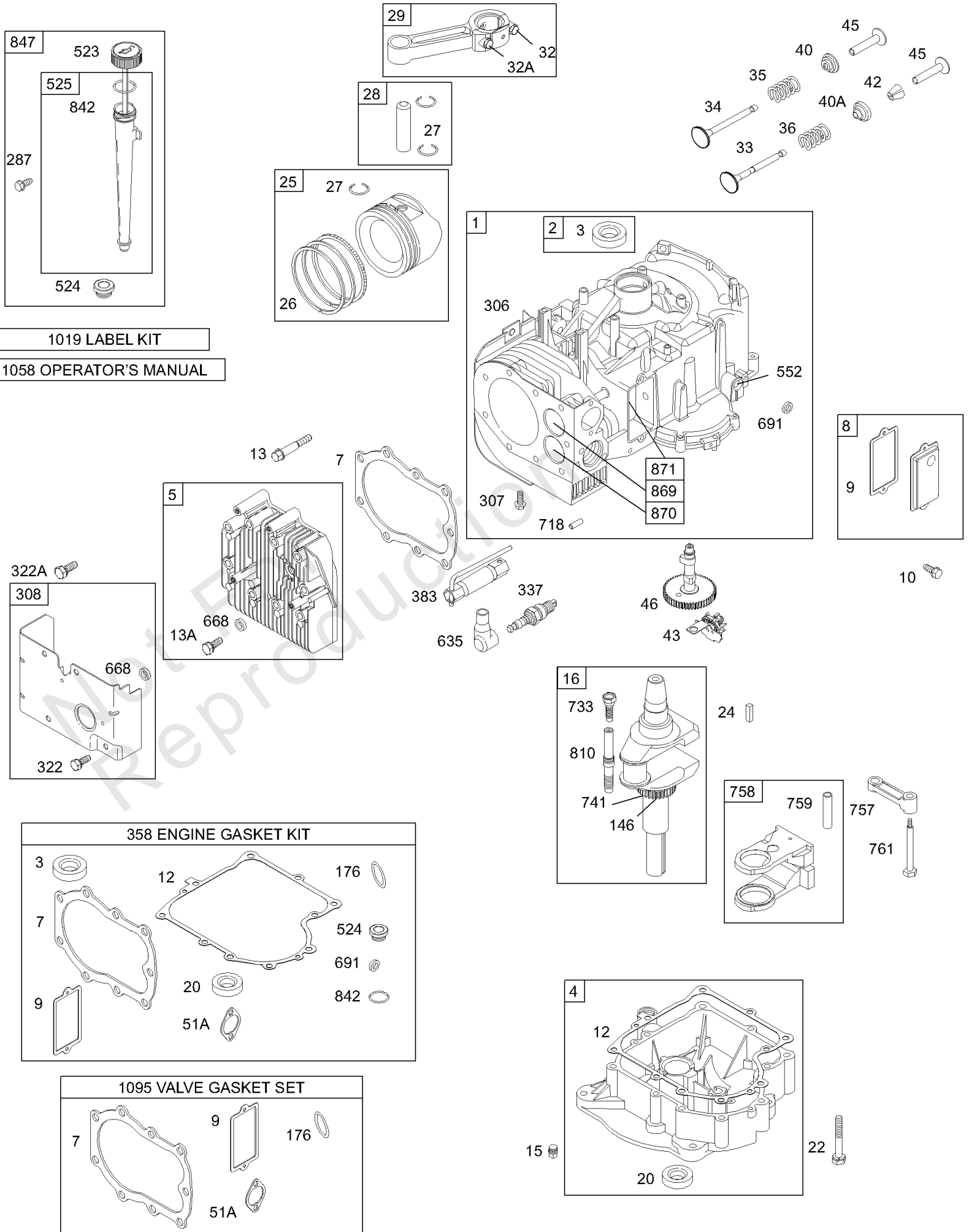


Cylinder, Piston, Crankshaft, Sump, Gaskets, Head

REF NO	PART NO	QTY	DESCRIPTION
26	392331		SET, Ring -(Standard)(Chrome) -Used Before Code Date 01060700
27	691299		LOCK, Piston Pin
28	498319		PIN, Piston -(Standard)
28	498320		PIN, Piston -(.005 Oversize)
29	494504S		ROD, Connecting -(Standard)
29	495490		ROD, Connecting -(.020 Undersize)
32	690356		SCREW -(Connecting Rod) (1 7/8)
32A	690348		SCREW -(Connecting Rod) (1 5/8)
33	262246S		VALVE, Exhaust
34	262247S		VALVE, Intake
35	691605		SPRING, Valve -(Intake)
36	691597		SPRING, Valve -(Exhaust)
40	690656		RETAINER, Valve -(Intake)
40A	691939		RETAINER-VALVE -(Exhaust)
42	494553		KEEPER, Valve -(Exhaust)
43	691968		SLINGER, Governor/Oil
45	691811		TAPPET, Valve
46	697668		CAMSHAFT
51A	272554S		GASKET, Intake
146	691639		KEY, Woodruff
176	691917		SEAL, O-Ring -(Air Cleaner Base)
287	691002		SCREW -(Dipstick Tube)
306	698477		SHIELD-CYLINDER
307	691003		SCREW -(Cylinder Shield)
308	491490		COVER, Cylinder Head
322	691687		SCREW -(Cylinder Head Cover)
322A	692198		SCREW -(Cylinder Head Cover)
337	802592S		PLUG, Spark -(Resistor)
358	494241		GASKET SET, Engine
383	89838S		WRENCH-SPARK PLUG
523	692014		DIPSTICK
524	281370S		SEAL-DIPSTICK TUBE -(Dipstick Tube)
525	691398		TUBE, Dipstick
552	491986		BUSHING, Governor Crank -(1/4 I.D.)
635	66538S		BOOT, Spark PLug
668	690510		SPACER

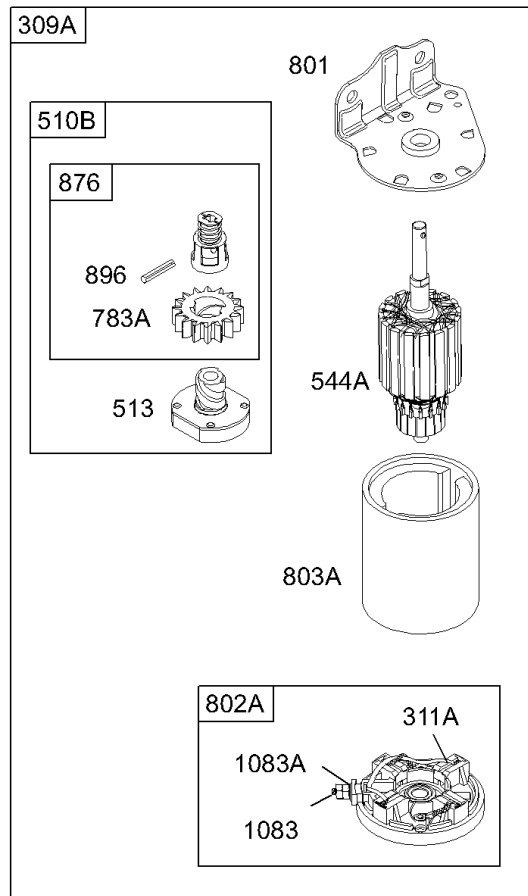
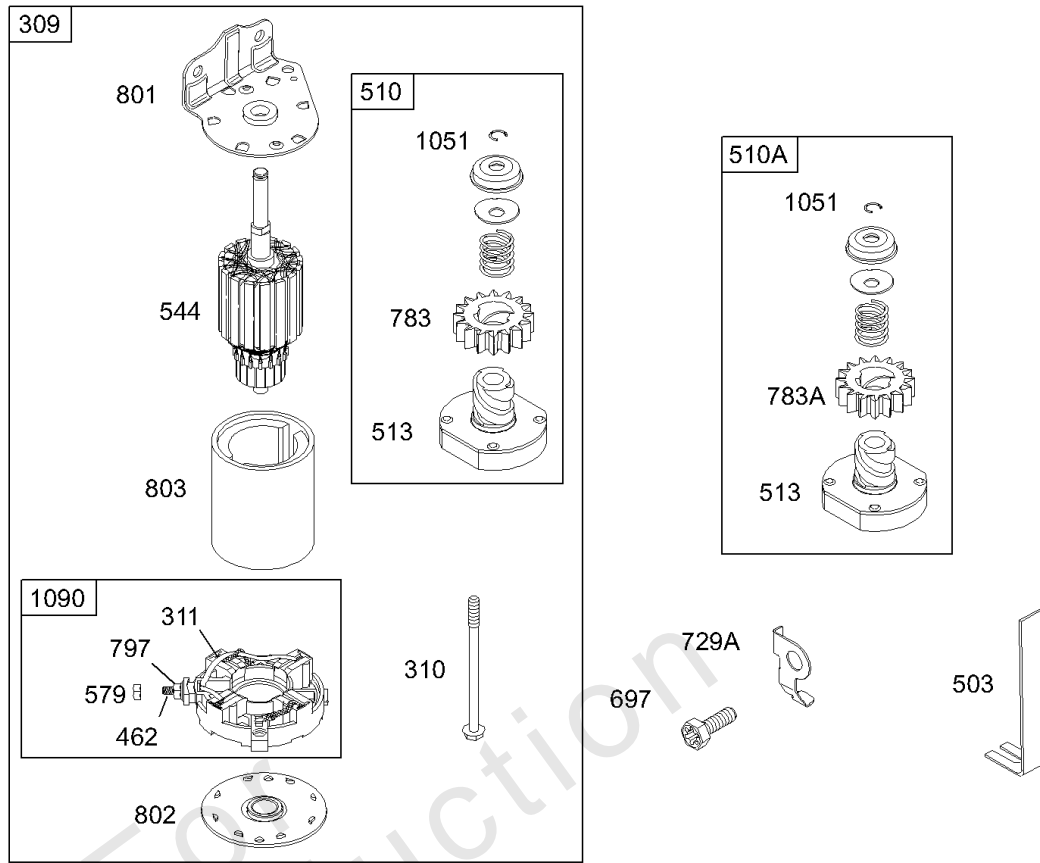
Cylinder, Piston, Crankshaft, Sump, Gaskets, Head

Mfg. No: 28T707-1154-E1



Cylinder, Piston, Crankshaft, Sump, Gaskets, Head

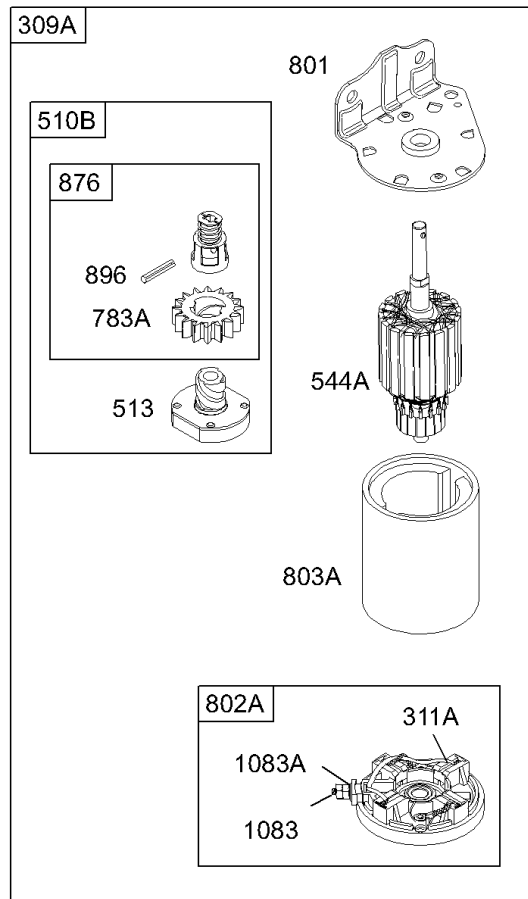
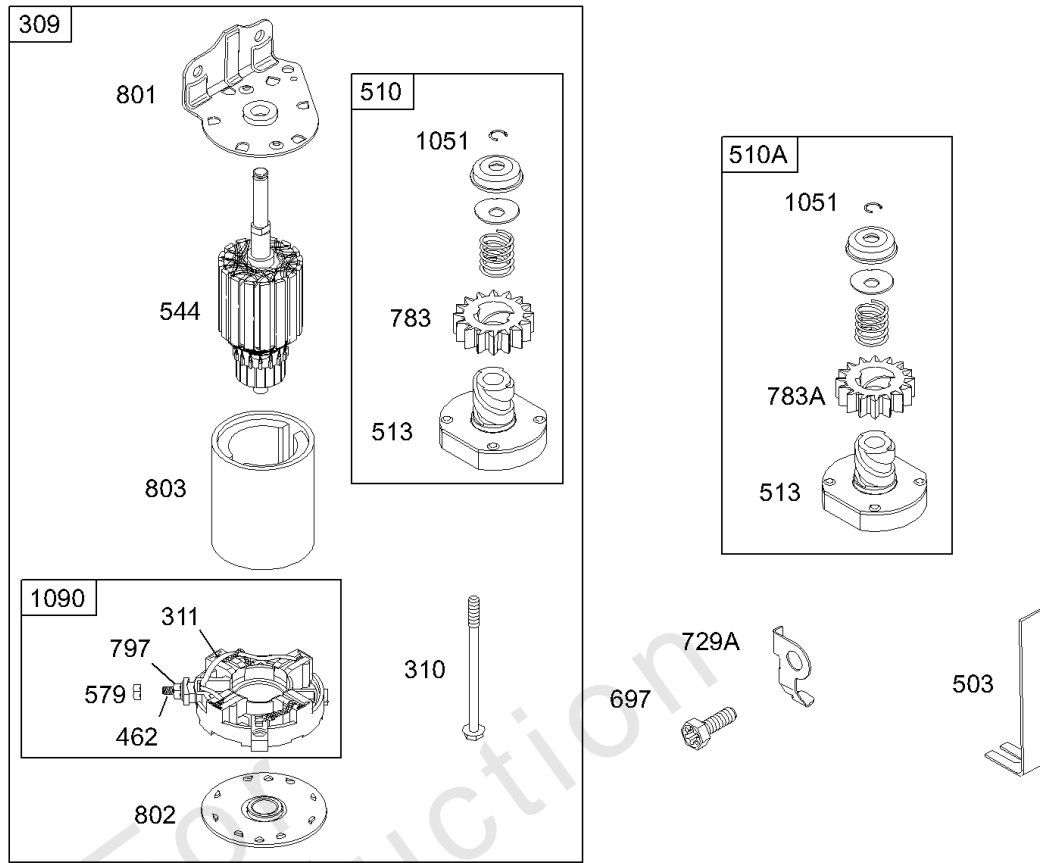
REF NO	PART NO	QTY	DESCRIPTION
691	692407		SEAL, Governor Shaft
718	690959		PIN, Locating
733	691658		SCREW -(Crankshaft Extension)
741	691284		GEAR, Timing
757	691714		LINK, Counterweight -(-Used After Code Date 78100411)
758	692423		COUNTERWEIGHT
759	691239		PIN, Counterweight
761	691096		SCREW -(Counterweight)
810	691779		EXTENSION, Crankshaft
842	691870		SEAL, O-Ring -(Dipstick Tube)
847	496415		DIPSTICK/TUBE ASSEMBLY
869	691802		SEAT, Valve -(Intake)
870	691844		SEAT-VALVE -(Exhaust)
871	231218		BUSHING, Valve Guide -(Brass Intake Valve)
871	261961		BUSHING, Valve Guide -(Exhaust)
1019	491252		KIT, Label
1058	274787		MANUAL, Operator's
1095	498539		GASKET SET, Valve



NOTE: For Replacement Starter Motor, See Reference 309.

Electric Starters

REF NO	PART NO	QTY	DESCRIPTION
309	499521		MOTOR, Starter -(4 3/8 Housing Length For Aluminum Ring Gear Only)
309	693054		MOTOR, Starter -(3 5/8) (Aluminum Ring Gear)
309	693551		MOTOR, Starter -(3 5/8 Housing Length For Steel Ring Gear Only)
309	497401		MOTOR, Starter -(4 3/8 Housing Length For Plastic Ring Gear Only)
309	497595		MOTOR, Starter -(3 5/8) (Plastic Ring Gear)
309A	-----		Motor-Starter -(For Replacement Starter Motor, Order Reference 309)
310	690323		SCREW -(Starter Motor) (3 5/8" Housing Length)
310	691263		BOLT -(Starter Motor) (4 3/8 Housing)
311	497608		SET, Brush
311A	395538		SET, Brush -(3 5/8 Housing)
462	691261		WASHER -(Starter Cable)
503	691532		STRAP, Starter
510	693699		DRIVE, Starter -(Used With Steel Ring Gear)
510A	696541		DRIVE, Starter -(Used With Aluminum And Plastic Ring Gears)
510B	696540		DRIVE, Starter
513	692024		CLUTCH, Drive
544	692034		ARMATURE, Starter -(3 5/8 Housing)
544A	490309		ARMATURE, Starter -(4 3/8 Housing)
544A	390837		ARMATURE, Starter -(3 5/8 Housing)
579	691029		NUT -(Starter Cable)
697	690372		SCREW -(Drive Cap)
729A	691224		CLIP, Wire
783	693713		GEAR, Pinion -(Steel Ring Gear)
783A	695708		GEAR-PINION -(Aluminum And Plastic Ring Gears)
797	693167		NUT -(Brush Retainer)
801	691283		CAP, Drive
802	691286		CAP, End
802A	395537		CAP, End -(3 5/8 Housing)
803	693757		HOUSING, Starter -(3 5/8 Housing)
803A	494205		HOUSING, Starter -(4 3/8 Housing)
803A	398159		HOUSING, Starter -(3 5/8 Housing)
876	696539		KIT, Pinion Spring
896	691641		PIN, Drive Retainer
1051	691265		RING, Retaining



NOTE: For Replacement Starter Motor, See Reference 309.

Electric Starters

REF NO	PART NO	QTY	DESCRIPTION
1083	691626		NUT -(End Cap)
1083A	690958		NUT -(End Cap) (Serrated)
1090	691293		RETAINER, Brush

Not For Reproduction

Replacement Engine - Europe, Middle East & Africa

REF NO	PART NO	QTY	DESCRIPTION
	21R8770014B5CC0001		Replacement Engine
	496606R		Replacement Short Block
	-----		Top No-Load Speed: 3200
	-----		Service Note: 9A REGULATED ALTERNATOR EQUIPPED
	-----		Service Note: IF ORIGINAL ENGINE IS L-HEAD/SIDEVALVE, CHECK NEW ENGINE DIMENSIONS WILL FIT EQUIPMENT
	-----		Service Note: IF ORIGINAL ENGINE IS L-HEAD/SIDEVALVE EXHAUST MODIFICATION/FABRICATION WILL BE REQUIRED
	-----		Service Note: NEW ENGINE HAS OIL FILTER (CHECK DIMENSIONS)
	-----		Service Note: NO FUEL PUMP

Not For Reproduction

Replacement Engine - US & Canada

REF NO	PART NO	QTY	DESCRIPTION
	2199073026	1	Replacement Engine
	-----		Top No-Load Speed: 3300 -Trim: ALL
	-----		Service Note: If the replacement engine supersedes to or is a Model 210000 series engine, refer to the illustrations located after the conversion data for this model series. The overall dimensions which differ, are shown in the illustrations.
	-----		Service Note: If after making a visual inspection and it is determined the Model 210000 series engine cannot be used because of equipment interference, the original engine should be repaired with a short block and/or individual parts.
	-----		Service Note: If the original engine is equipped with a Six Pin Wiring Harness transfer to the replacement engine.

Not For Reproduction

