



# Parts Manual

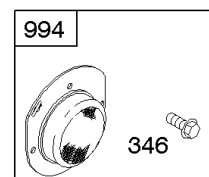
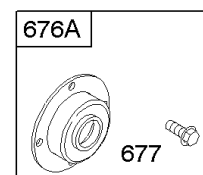
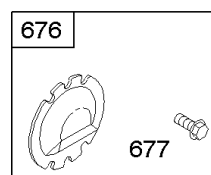
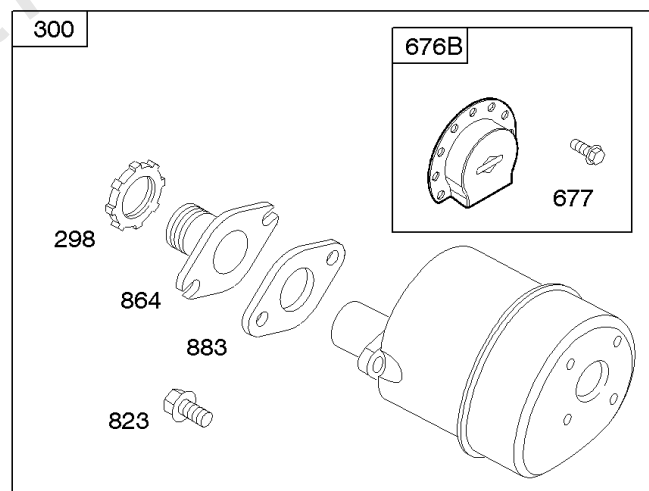
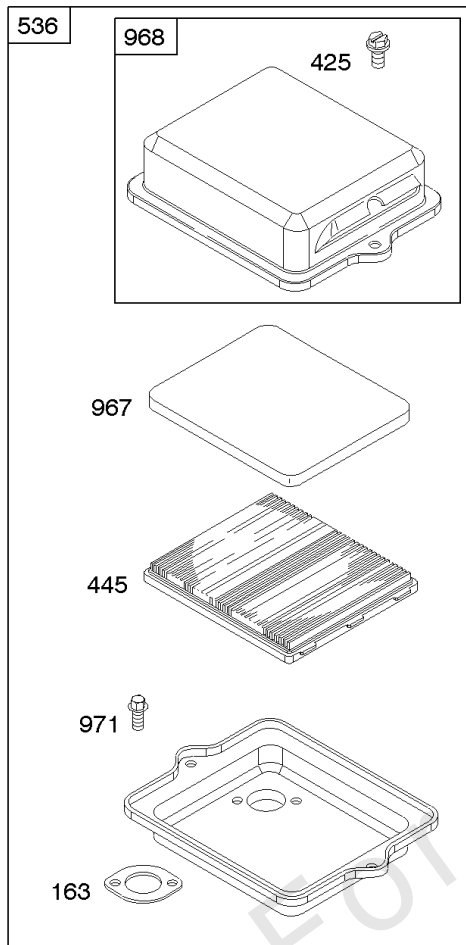
Mfg. No: 094202-0115-E1



---

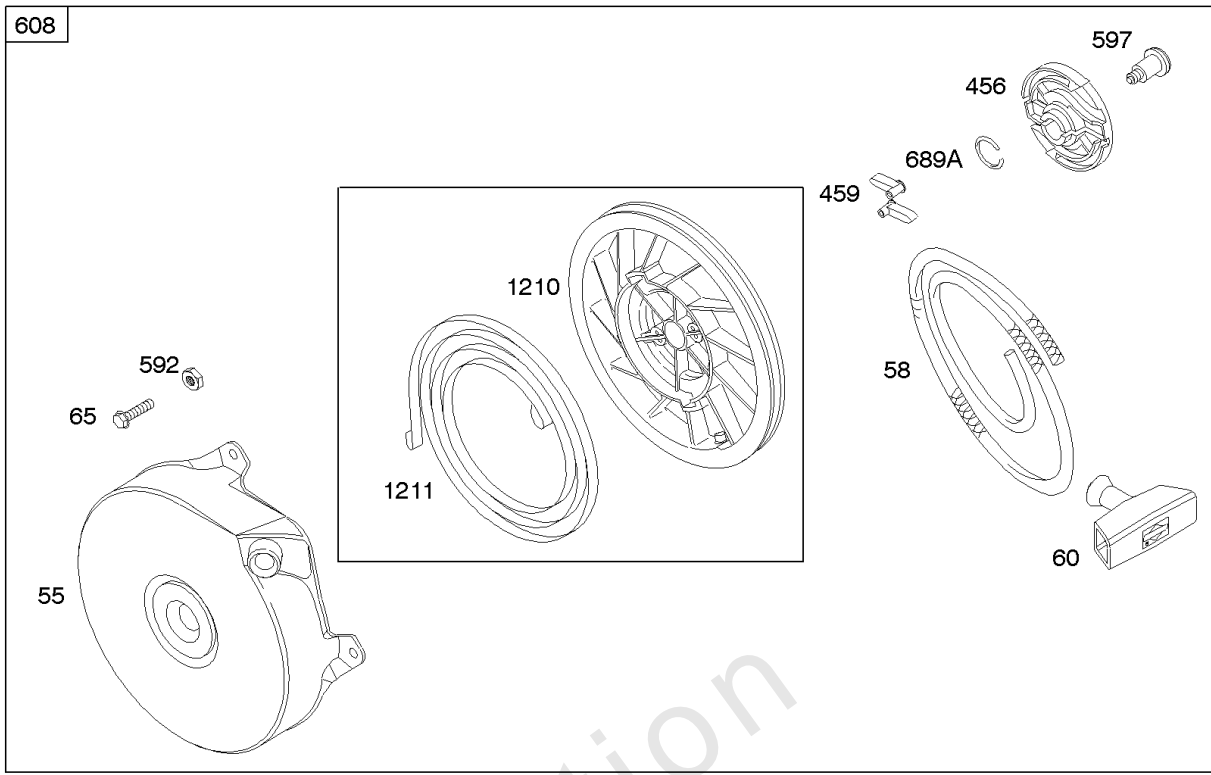
<b>Model Components</b>	<b>Page</b>
Air Cleaner, Exhaust System. ....	4
Blower Housing/Shrouds, Flywheel, Rewind Starter. ....	6
Camshaft, Crankcase Cover/Sump, Crankshaft, Piston/Rings/Connecting Rod. ....	8
Carburetor, Carburetor Overhaul Kit, Fuel Supply. ....	12
Controls, Governor Spring, Ignition. ....	16
Cylinder, Cylinder Head, Gasket Sets, Operator's Manual, Repair Manual, Warning Label. ....	18
Replacement Engine - US & Canada. ....	22

Not For  
Reproduction

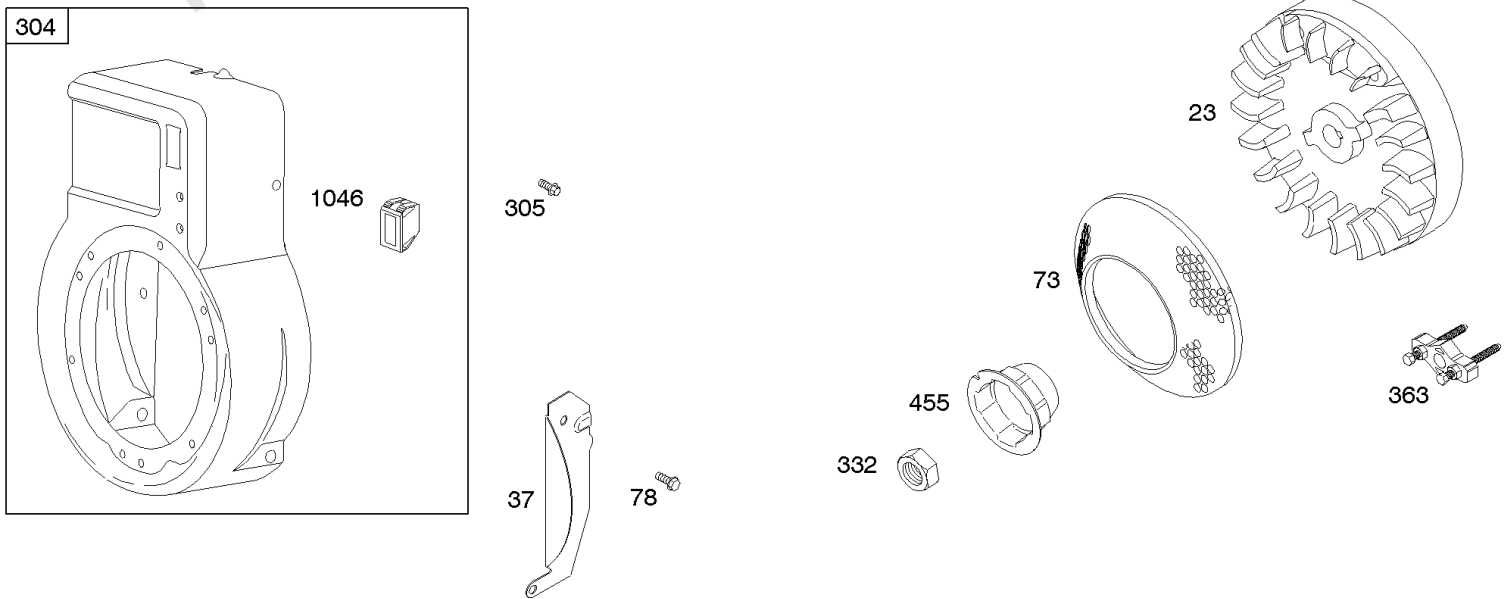


## ***Air Cleaner, Exhaust System***

<b>REF NO</b>	<b>PART NO</b>	<b>QTY</b>	<b>DESCRIPTION</b>
163	271935S		GASKET, Air Cleaner -(Air Cleaner)
298	691720		LOCKNUT-MUFF/ELBOW -(Muffler and Elbow)
300	493288		MUFFLER -(Lo Tone)
346	690661		SCREW -(Spark Arrestor)
425	694515		SCREW -(Air Cleaner Cover)
445	491588S		FILTER, A/C Cartridge
536	494279		CLEANER-AIR
676B	393760		DEFLECTOR, Muffler
677	690661		SCREW -(Muffler Deflector)
823	692336		SCREW -(Muffler Adapter)
864	690776		ADAPTER, Muffler
883	691314		GASKET, Exhaust
967	491435S		FILTER, Pre Cleaner
968	692321		COVER, Air Cleaner
971	690370		SCREW -(Air Cleaner Base) (Remote Choke)
994	398067		ARRESTOR-SPARK

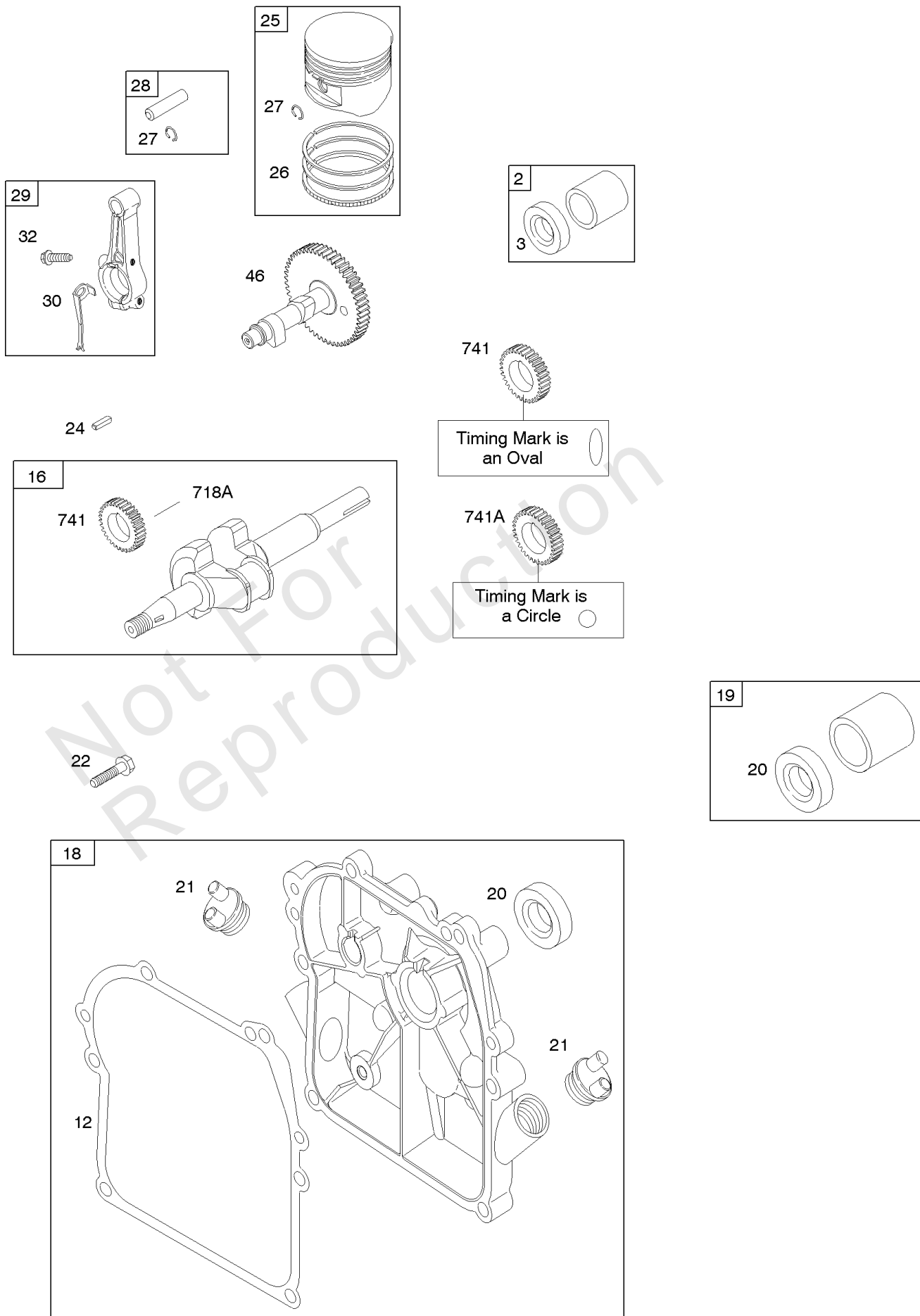


1036 EMISSIONS LABEL



## Blower Housing/Shrouds, Flywheel, Rewind Starter

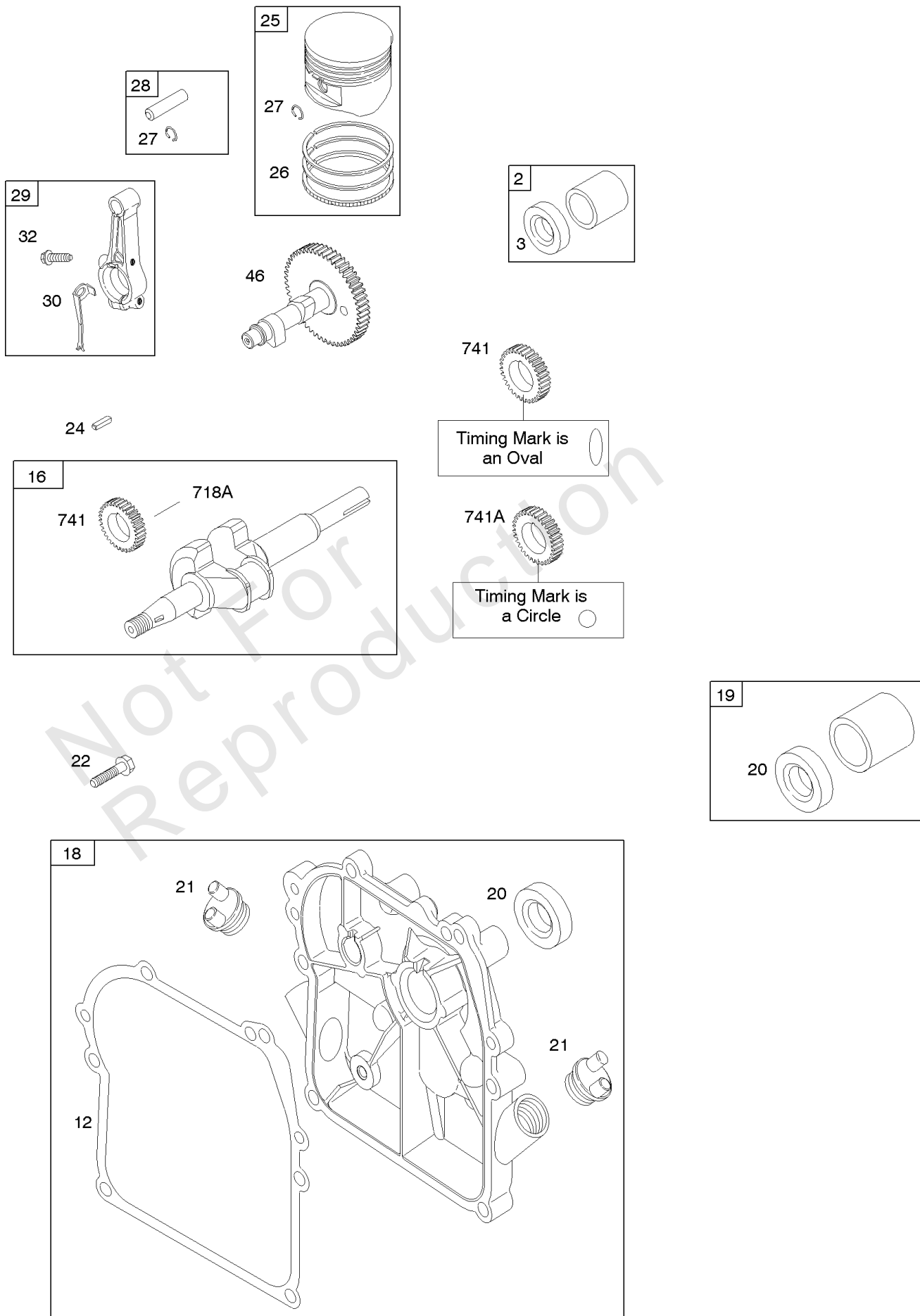
REF NO	PART NO	QTY	DESCRIPTION
23	690843		FLYWHEEL -Used Before Code Date 08013000
23	795695		FLYWHEEL -Used After Code Date 08012900
37	690463		GUARD, Flywheel
55	692144		HOUSING, Rewind Starter
58	691921		ROPE, Starter -(70 )
60	691915		GRIP, Starter Rope
65	690837		SCREW -(Rewind Starter)
73	699850		SCREEN, Rotating
78	690364		SCREW -(Flywheel Guard)
304	692622		HOUSING-BLOWER
305	692198		SCREW -(Blower Housing)
332	690662		NUT -(Flywheel)
363	19069		PULLER, Flywheel
455	691236		CUP, Flywheel
456	692299		PLATE-PAWL FRICTION
459	281505S		PAWL-RATCHET
592	690800		NUT -(Rewind Starter)
597	691696		SCREW -(Pawl Friction Plate)
608	690101		STARTER, Rewind -(70 Rope)
689A	691855		SPRING-FRICTION -(Rewind Starter)
1036	-----		Label-Emissions -(Available From A Briggs & Stratton Authorized Dealer)
1046	691337		PLUG, Blower Housing
1210	499901		PULLEY/SPRING ASSY -(Pulley)
1211	499901		PULLEY/SPRING ASSY -(Spring)





## Camshaft, Crankcase Cover/Sump, Crankshaft, Piston/Rings/Connecting Rod

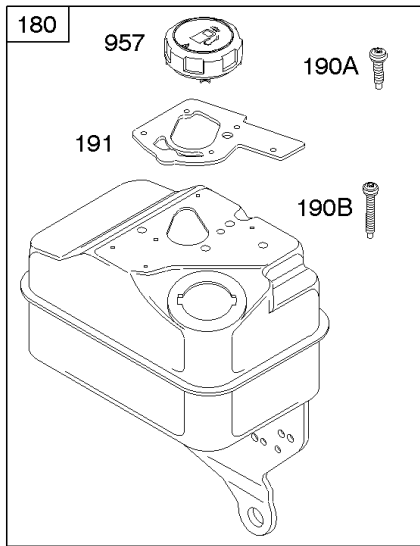
REF NO	PART NO	QTY	DESCRIPTION
2	399269		KIT, Bushing/Seal -(Magneto Side)
3	299819S		SEAL, Oil -(Magneto Side)
12	270895		GASKET, Crankcase -(.005)
12	270896		GASKET, Crankcase -(.009)
12	692218		GASKET, Crankcase -(.015)(Standard)
16	793152		CRANKSHAFT
18	699406		COVER, Crankcase
19	399269		KIT, Bushing/Seal -(PTO Side)
20	299819S		SEAL, Oil -(PTO Side)
21	281658S		CAP-OIL FILL
22	691129		SCREW -(Crankcase Cover/Sump) (1 1/4" Long)
24	222698S		KEY, Flywheel
25	790908		PISTON ASSEMBLY -(Standard) -Used Before Code Date 07073000
25	792532		PISTON ASSEMBLY -(.020 Oversize) -Used Before Code Date 07073000
25	795131		PISTON ASSEMBLY -(Standard) -Used After Code Date 07072900 -Used Before Code Date 08021300
25	795689		PISTON ASSEMBLY -(.020 Oversize) -Used After Code Date 07072900
25	795691		PISTON ASSEMBLY -(Standard) -Used After Code Date 08021200
26	695171		SET, Ring -(.010 Oversize) -Used Before Code Date 05051900
26	695172		SET, Ring -(.020 Oversize) -Used Before Code Date 05051900
26	790909		SET, Ring -(Standard) -Used After Code Date 05051800 -Used Before Code Date 07073000
26	795132		SET, Ring -(Standard) -Used After Code Date 07072900 -Used Before Code Date 08021300
26	795134		SET, Ring -(.020 Oversize) -Used After Code Date 05051800 -Used Before Code Date 08021300
26	795688		SET, Ring -(.020 Oversize) -Used After Code Date 08021200
26	795690		SET, Ring -(Standard) -Used After Code Date 08021200
26	695169		SET, Ring -(Standard) -Used Before Code Date 05051900



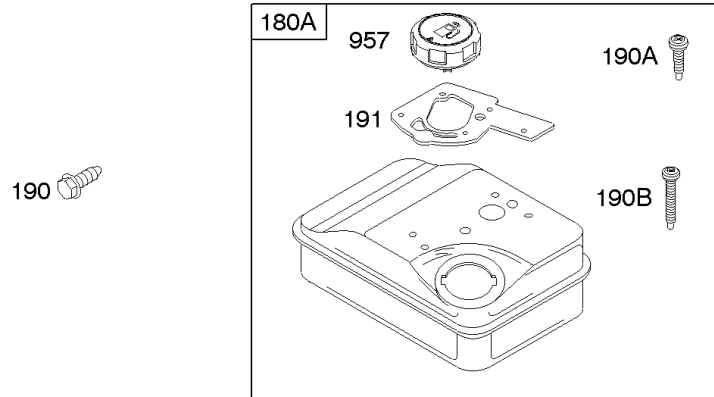
## Camshaft, Crankcase Cover/Sump, Crankshaft, Piston/Rings/Connecting Rod

REF NO	PART NO	QTY	DESCRIPTION
27	691588		LOCK, Piston Pin
28	298908		PIN, Piston -(.005 Oversize) -Used Before Code Date 05051900
28	298909		PIN, Piston -(Standard) -Used Before Code Date 05051900
28	699659		PIN, Piston -(Standard) -Used After Code Date 05051800
29	699655		ROD, Connecting -(Standard)
30	691719		DIPPER, Connecting Rod
32	691664		SCREW -(Connecting Rod)
46	691998		CAMSHAFT
718A	499047		PIN, Locating -(Crankshaft)
741	791124		GEAR, Timing -[Timing Mark is an Oval {}] -Used After Code Date 05013000
741A	691805		GEAR, Timing -{Timing Mark is a Circle (O)} -Used Before Code Date 05053100

**2 and 3 QUART**



**1 QUART**



Not For Reproduction

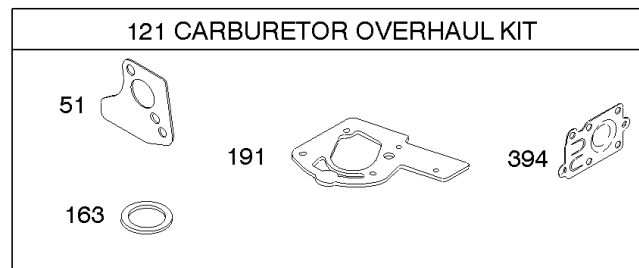
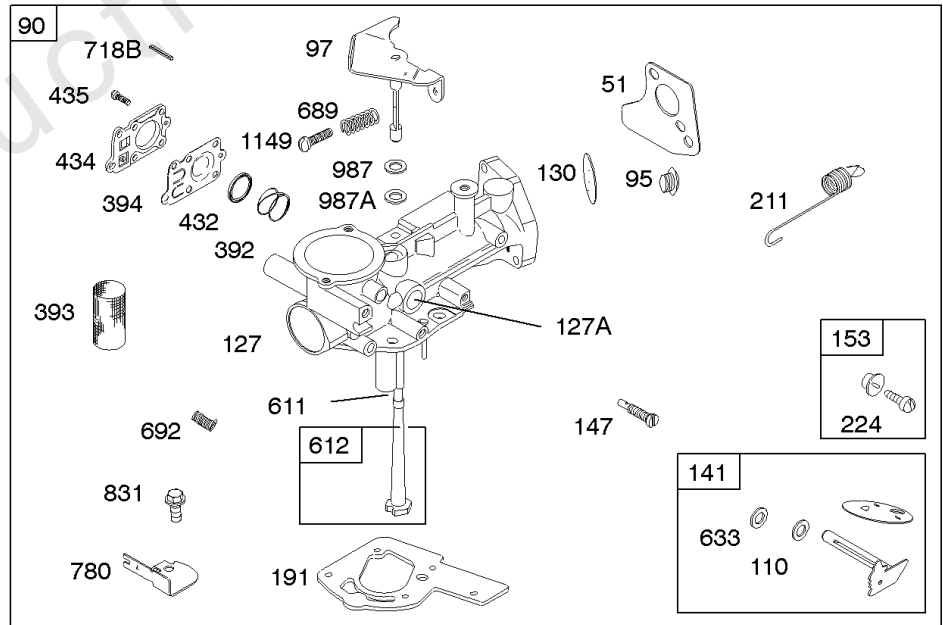
Carburetor Mounting Surface

Pickup Tube

**D**

To replace carburetor assembly, determine fuel tank capacity as shown.

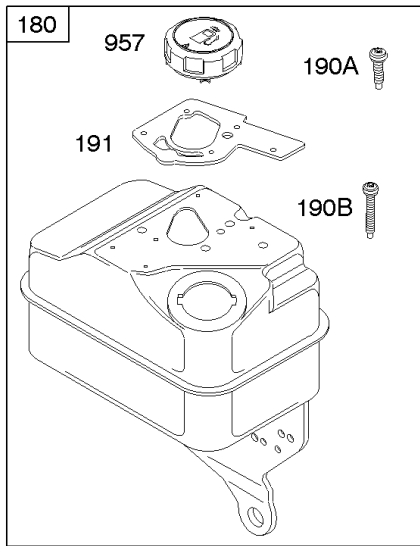
Fuel Tank Capacity (Quarts)	1	2	3
D (Inches)	2-5/16	4-1/4	4-7/8



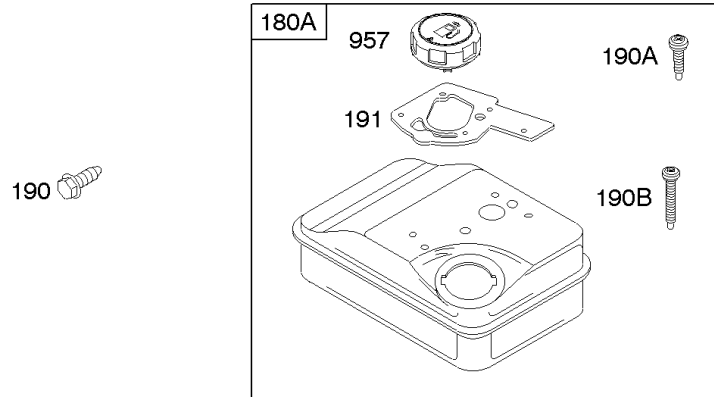
## Carburetor, Carburetor Overhaul Kit, Fuel Supply

REF NO	PART NO	QTY	DESCRIPTION
51	273113S		GASKET, Intake
90	499952		CARBURETOR
95	691437		SCREW -(Throttle Valve)
97	692018		SHAFT, Throttle
110	690401		WASHER -(Choke Shaft)
121	495606		KIT, Carburetor Overhaul
127	691718		PLUG, Welch -(Carburetor Body)
127A	691742		PLUG, Welch -(Mixing Chamber)
130	691743		VALVE, Throttle
141	497230		KIT, Choke Shaft
147	691250		JET, Pilot -(Standard)
147A	499502		JET, Pilot -(High Altitude)
153	490501		SCREW -(Carburetor Lever)
163	271935S		GASKET, Air Cleaner -(Air Cleaner)
180	495377		TANK, Fuel -(Metal) (2 Quart)
190	691685		SCREW -(Fuel Tank) (2/3 )
190A	692200		SCREW -(Fuel Tank) (3/4 )
190B	691687		SCREW -(Fuel Tank) (1 3/4 )
191	692241		GASKET, Fuel Tank
211	691289		SPRING, Governed Idle
224	690320		SCREW -(Collar/Screw Kit)
365	690953		SCREW -(Carburetor)
392	691823		SPRING, Pump Diaphragm
393	691213		SCREEN, Carburetor
394	272538S		DIAPHRAGM, Carburetor
432	690766		CAP-SPRING
434	691713		COVER-DIAPHRAGM
435	691619		SCREW -(Diaphragm Cover)
611	690507		PIPE-FUEL
612	391813		TUBE-PICK UP -(2 And 3 Quart Tanks)
633	691869		SEAL, Choke/Throttle Shaft
689	691783		SPRING-FRICTION -(Throttle Shaft)
692	690572		SPRING, Detent
718B	690296		PIN-LOCATING -(Diaphragm Cover)
780	691211		ANCHOR, Spring
831	691099		SCREW -(Spring Anchor)
957	494559		CAP, Fuel Tank -(Plastic)

**2 and 3 QUART**



**1 QUART**



Not For Reproduction

Carburetor Mounting Surface

Pickup Tube

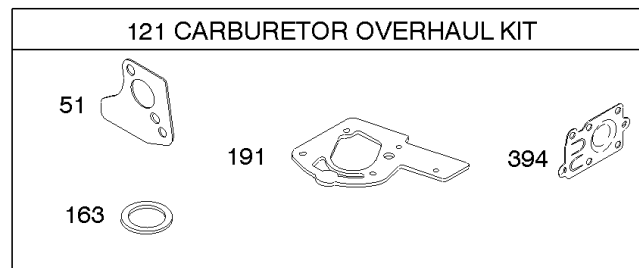
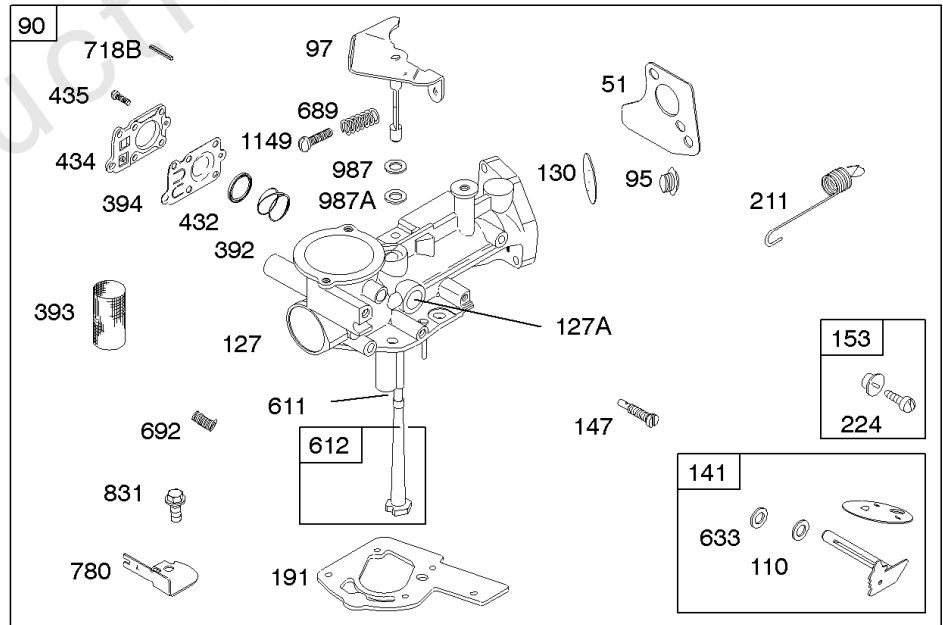
**D**

147A

365

To replace carburetor assembly, determine fuel tank capacity as shown.

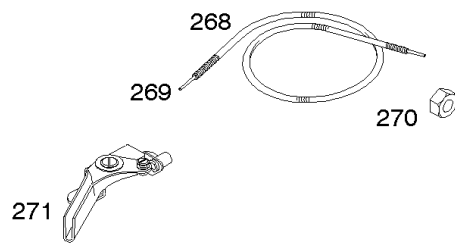
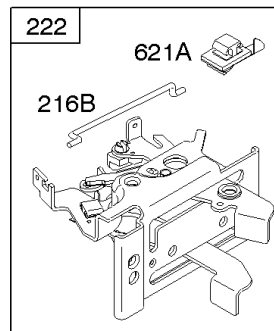
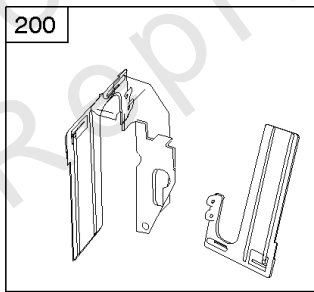
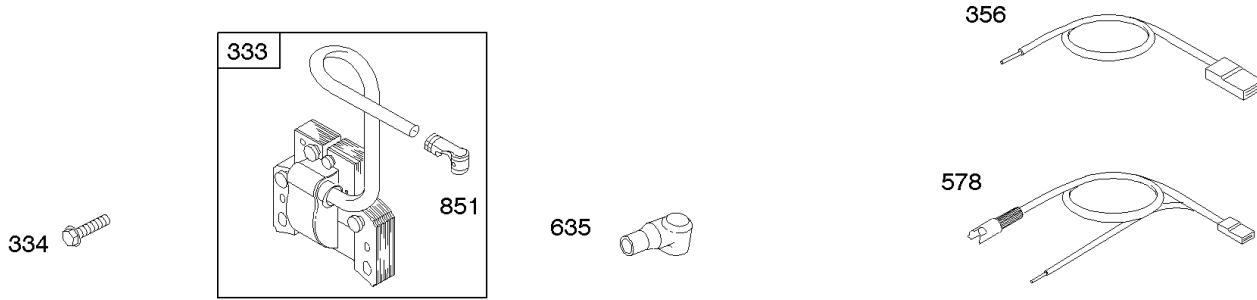
Fuel Tank Capacity (Quarts)	1	2	3
D (Inches)	2-5/16	4-1/4	4-7/8



## Carburetor, Carburetor Overhaul Kit, Fuel Supply

REF NO	PART NO	QTY	DESCRIPTION
987	692279		SEAL-THROTTLE SHAFT -(Foam)
987A	270167		SEAL, Choke/Throttle Shaft -(Felt)
1149	691624		SCREW -(Throttle Shaft)

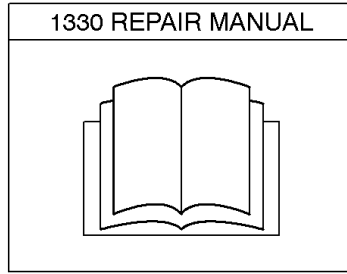
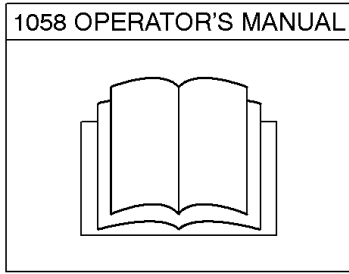
Not For Reproduction





## Controls, Governor Spring, Ignition

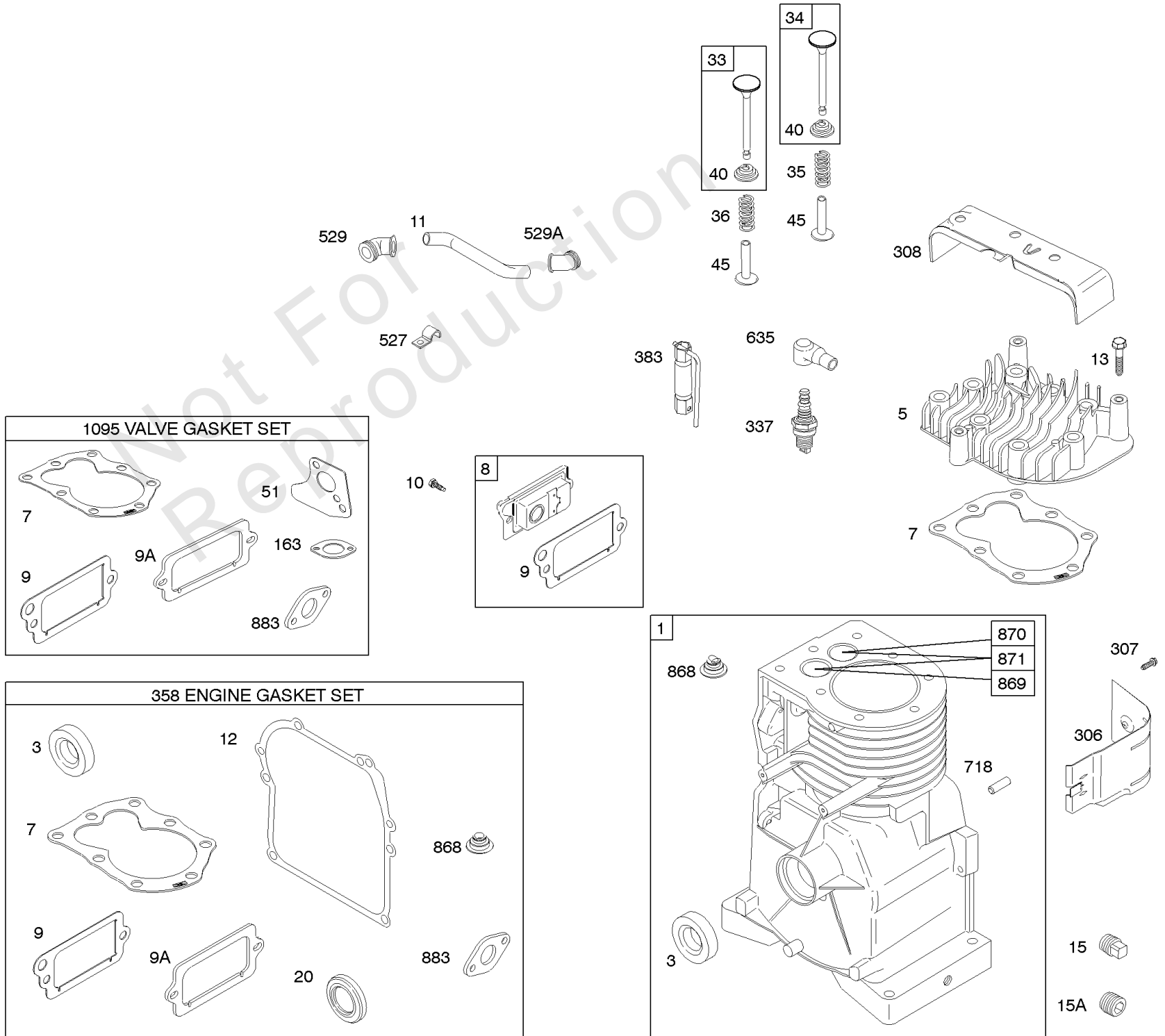
REF NO	PART NO	QTY	DESCRIPTION
188	692200		SCREW -(Control Bracket)
200	498770		BLADE, Governor
201A	691305		LINK, Air Vane
209	692205		SPRING, Governor
216B	692904		LINK, Choke
222	699132		BRACKET, Control
268	691025		CASING, Control Wire -(72" Long)(Cut To Required Length)
269	691026		WIRE, Control -(78" Long)(Cut To Required Length)
270	691027		NUT -(Control Wire Casing)
271	691028		LEVER, Control
333	793281		ARMATURE, Magneto
334	691061		SCREW -(Magneto Armature)
356	692390		WIRE, Stop
621A	692310		SWITCH, Stop
635	66538S		BOOT, Spark PLug
851	493880S		TERMINAL-SPARK PLUG



1319 WARNING LABEL

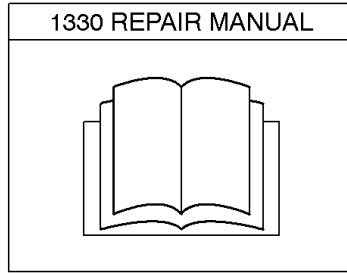
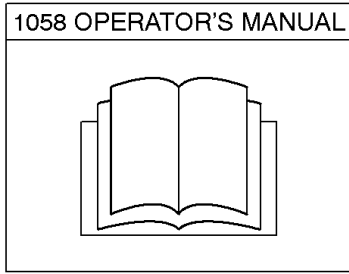
<b>WARNING</b>	
	Read and follow Operating Instructions before running engine.
	Gasoline is flammable. Allow engine to cool at least 2 minutes before refueling.
	Engines emit carbon monoxide, DO NOT run in enclosed area.
	Muffler area temperature may exceed 150°F. Do not touch hot parts.

**REQUIRED** when replacing parts with warning labels affixed.



## Cylinder, Cylinder Head, Gasket Sets, Operator's Manual, Repair Manual, Warning Label

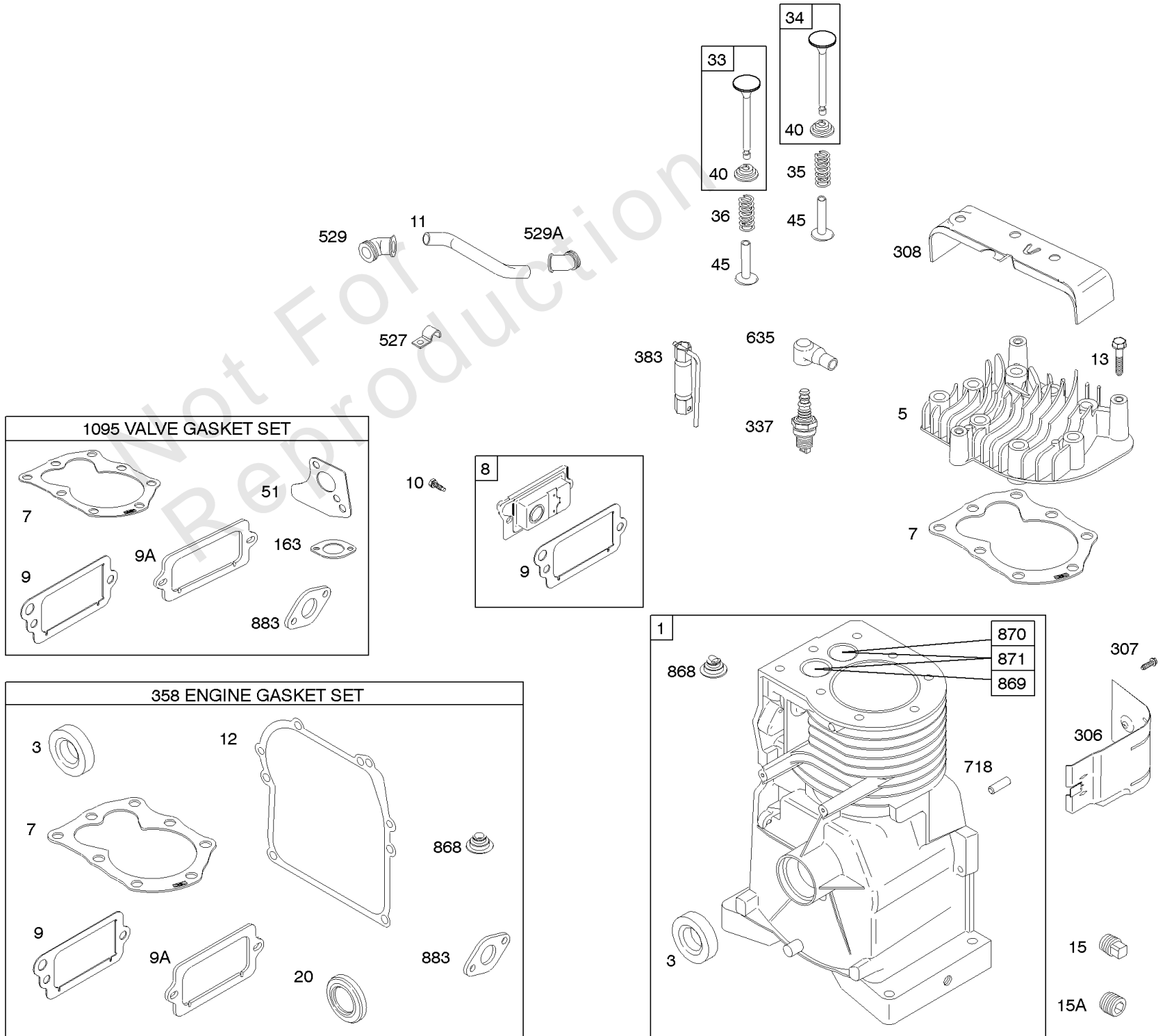
REF NO	PART NO	QTY	DESCRIPTION
1	791358		CYLINDER ASSEMBLY
3	299819S		SEAL, Oil -(Magneto Side)
5	790169		HEAD, Cylinder
7	698717		GASKET-CYL HD
8	791779		BREATHER ASSEMBLY
9	695890		GASKET-BREATHER -Used After Code Date 03031900
9A	27549S		GASKET, Breather -Used Before Code Date 03032000
10	691666		SCREW -(Breather Assembly)
11	692528		TUBE, Breather
12	270895		GASKET, Crankcase -(.005)
12	270896		GASKET, Crankcase -(.009)
12	692218		GASKET, Crankcase -(.015)(Standard)
13	691640		SCREW -(Cylinder Head)
15A	691682		PLUG-OIL DRAIN -(Carburetor Side)
20	299819S		SEAL, Oil -(PTO Side)
33	296676		VALVE, Exhaust -(Grooved Stem-Includes Retainer)
34	296677		VALVE, Intake -(Grooved stem-includes Retainer)
35	690520		SPRING-VALVE -(Intake)
36	690520		SPRING-VALVE -(Exhaust)
40	692194		RETAINER, Valve
45	691762		TAPPET, Valve
51	273113S		GASKET, Intake
163	271935S		GASKET, Air Cleaner -(Air Cleaner)
306	690461		SHIELD, Cylinder
307	691660		SCREW -(Cylinder Shield)
308	690462		COVER, Cylinder Head
337	802592S		PLUG, Spark -(Resistor)
358	794209		GASKET SET, Engine
383	89838S		WRENCH-SPARK PLUG
527	691741		CLAMP, Hose
529	692189		GROMMET -(90 Degree)
529A	692187		GROMMET -(45 Degree)
635	66538S		BOOT, Spark PLug
718	690959		PIN, Locating -(Cylinder)
868	697338		SEAL, Valve
869	691701		SEAT-VALVE -(Intake)



1319 WARNING LABEL

<b>WARNING</b>	
	Read and follow Operating Instructions before running engine.
	Gasoline is flammable. Allow engine to cool at least 2 minutes before refueling.
	Engines emit carbon monoxide, DO NOT run in enclosed area.
	Muffler area temperature may exceed 150°F. Do not touch hot parts.

**REQUIRED** when replacing parts with warning labels affixed.



**Cylinder, Cylinder Head, Gasket Sets, Operator's Manual, Repair Manual, Warning Label**

REF NO	PART NO	QTY	DESCRIPTION
870	691702		SEAT, Valve -(Exhaust)
871	262001		BUSHING-VALVE GUIDE -(Exhaust)
871	63709		BUSHING, Valve Guide -(Intake)
883	691314		GASKET, Exhaust
1058	277098		MANUAL, Operator's
1095	699450		GASKET SET, Valve
1319	794467		LABEL, Warning
1330	270962		REP MAN-1 CYL L-HD

Not For Reproduction

## Replacement Engine - US & Canada

REF NO	PART NO	QTY	DESCRIPTION
	831320035	1	Replacement Engine
	495914	1	Replacement Short Block
	-----		Top No-Load Speed: 3200 -Trim: ALL
	-----		Service Note: Replacement engine listed is not available in the State of California. Repair with individual parts.
	-----		Service Note: If the replacement engine supersedes to or is a Model 83100 series engine, refer to the illustrations located after the conversion data for this model series. The overall dimensions which differ, are shown in the illustrations.
	-----		Service Note: If after making a visual inspection and it is determined that the Model 83100 series engine cannot be used because of equipment interference, the engine should be repaired with a short block and/or individual parts.
	-----		Service Note: For all Go-Karts use only a Model 136200 series engine as a replacement, regardless of the original Model.
	-----		Short Block Note: Cut off 1-7/16" on Flywheel end of Crankshaft.

Not For Reproduction

