

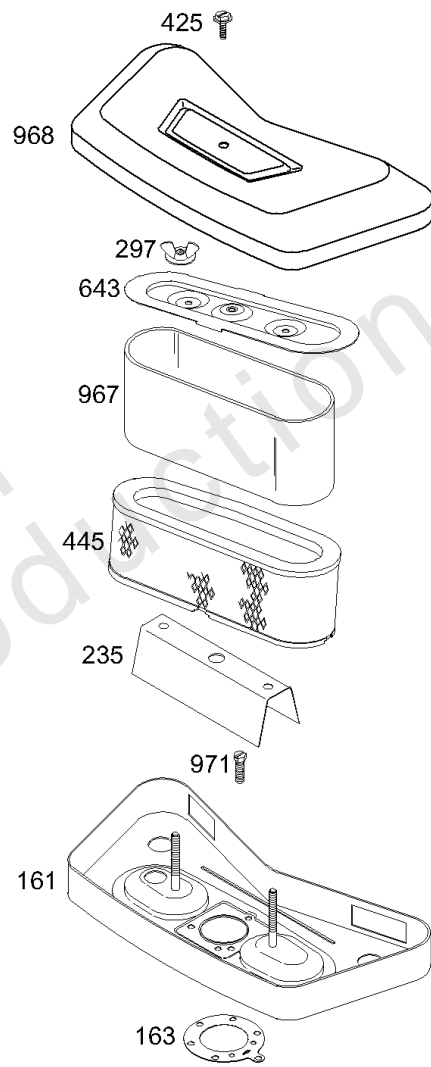


Parts Manual

Mfg. No: 461707-0116-E1

Model Components	Page
Air Cleaner.....	4
Alternator, Controls.....	6
Blower Housing/Shrouds.....	8
Cam, Crankshaft, Pistons, Valves.....	10
Carburetor 1, Kit/Gasket Sets - Carburetor 1, Kit/Gasket Sets - Fuel Pump 1.....	12
Carburetor 2, Kit/Gasket Sets - Carburetor 2, Kit/Gasket Sets - Fuel Pump 2.....	16
Crankcase Cover/Cylinder, Head, Kit/Gasket Sets - Engine, Kit/Gasket Sets - Valve.....	18
Electric Starter.....	22
Flywheel.....	24
Oil.....	26
Replacement Engine - US & Canada.....	28
Sump.....	29

Not For
Reproduction

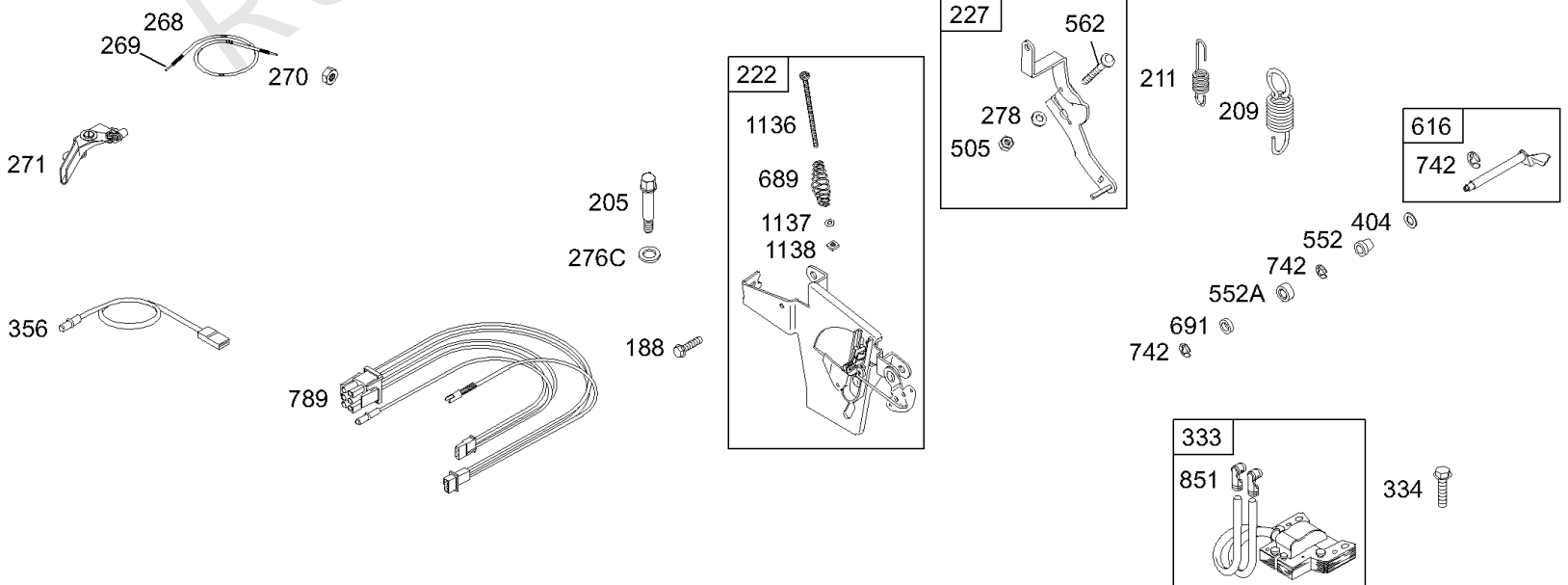


Air Cleaner

REF NO	PART NO	QTY	DESCRIPTION
161	691401		BASE, Air Cleaner -(Metal)
163	690273		GASKET, Air Cleaner -(Air Cleaner)
235	691206		SHIELD, Fuel Spray
297	691331		NUT -(Air Filter Retainer)
425	691675		SCREW -(Air Cleaner Cover)
445	394019S		FILTER, A/C Cartridge
643	496700		RETAINER, Air Filter
967	272490S		FILTER, Pre Cleaner
968	691207		COVER, Air Cleaner
971	691100		SCREW -(Air Cleaner Base to Carburetor)

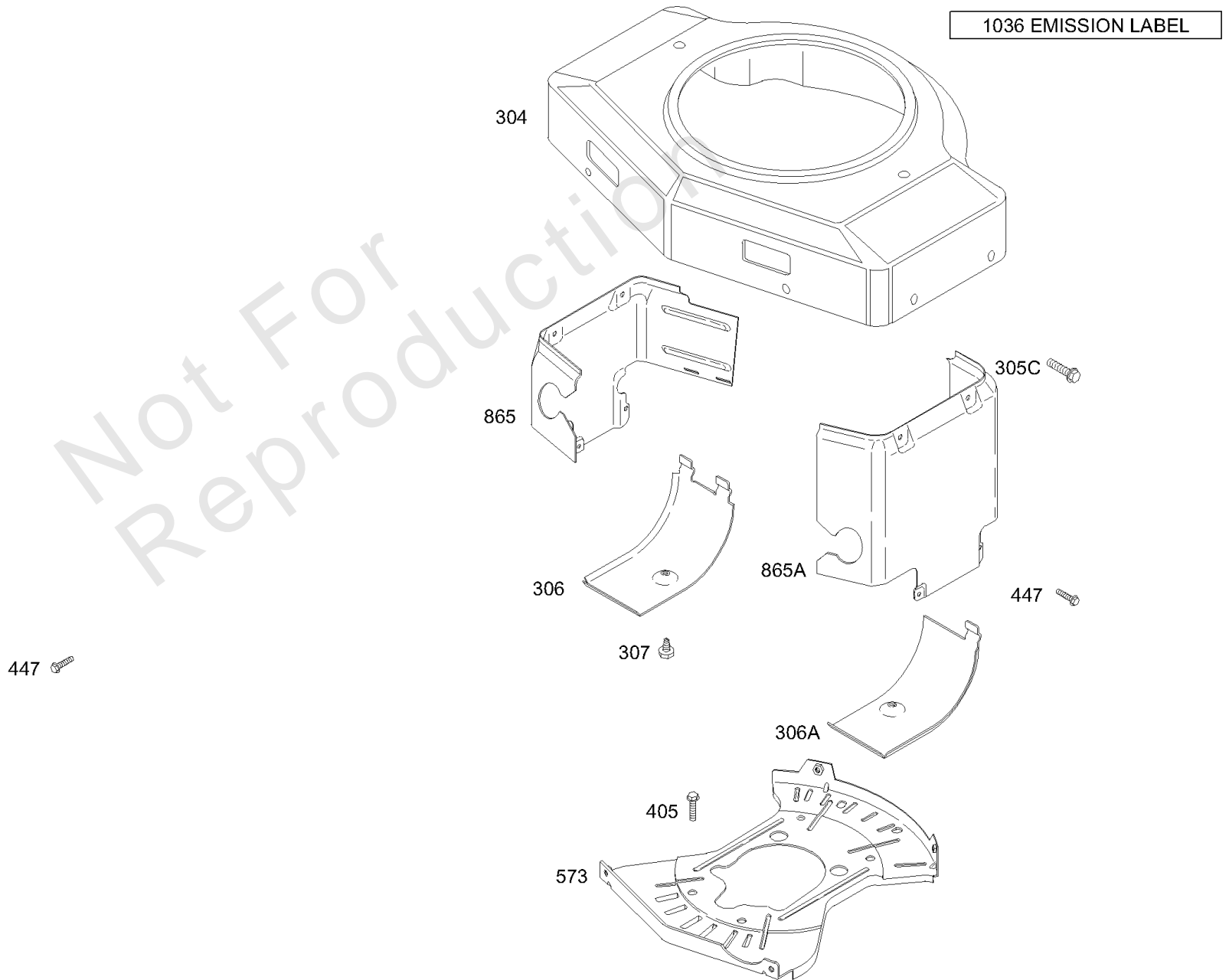
Not For Reproduction

AC ONLY	DC ONLY	DUAL CIRCUIT	TRI CIRCUIT	9 AMP	10 AMP	16 AMP
474	474A	474B	474C	474C	474D	474D
	877A	877	877B	877B	877C	877C
578	578	878	878A	578	578	578
<p>NOTE: All stators use a No. 1119 mounting screw. </p> <p>NOTE: The proper flywheel part number and/or the alternator magnet size will determine the alternator type or output. See repair instruction manual for additional information.</p>						



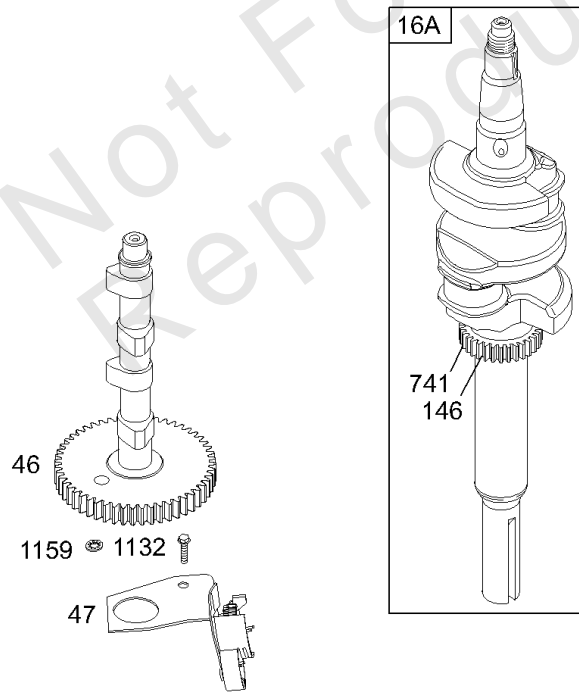
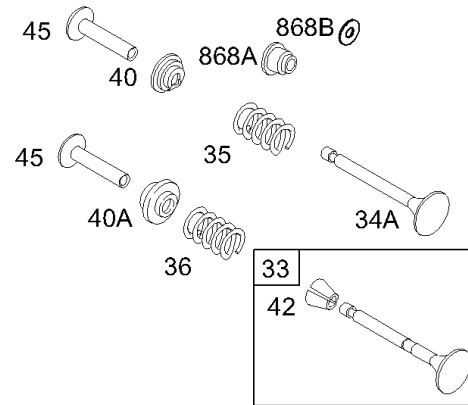
Alternator, Controls

REF NO	PART NO	QTY	DESCRIPTION
188	691003		SCREW -(Control Bracket)
205	690322		SCREW -(Bell Crank)
209	691273		SPRING, Governor -(White)
211	691807		SPRING, Governed Idle
222	691366		BRACKET, Control
227	690762		LEVER, Governor Control
268	691025		CASING, Control Wire -(Cut To Required Length)
269	691026		WIRE, Control -(Cut To Required Length)
270	691027		NUT -(Control Wire Casing)
271	691028		LEVER, Control
276C	691319		WASHER, Sealing -(Carburetor Plug)
278	692810		WASHER -(Governor Control Lever)
333	394891		ARMATURE, Magneto -(Magnetron Ignition)
334	691061		SCREW -(Magneto Armature)
356	690807		WIRE, Stop -(1 Wire, 15-13/16)(Snap Connect Insulated Female Blade Terminal,And Snap Connect Insulated Pin Socket)
404	690442		WASHER -(Governor Crank)
474B	696459		ALTERNATOR -(Dual Circuit)
505	691029		NUT -(Governor Control Lever)
552	690553		BUSHING, Governor Crank
552A	690552		BUSHING-GOV CRANK
562	690311		BOLT -(Governor Control Lever)
616	491530		CRANK, Governor
689	690555		SPRING, Friction
691	690657		SEAL, Governor Shaft
742	690328		RETAINER, E Ring
789	695050		HARNESS, Wiring -(6 Pin Customer Conversion)
851	493880S		TERMINAL-SPARK PLUG
877	393456		WIRE/CONNECTOR, Alternator -(Dual Circuit)
878	691237		HARNESS, Alternator -(2 Wires, 48-1/2, And 48-1/2)(Snap Connect Female Pin Terminal,And 2 Bare Wire Ends)
1119	691183		SCREW -(Alternator)
1136	690329		SCREW -(Control Bracket) (High Speed Control)
1137	690390		WASHER -(Control Bracket) (High Speed Control)
1138	690330		NUT -(Control Bracket) (High Speed Control)

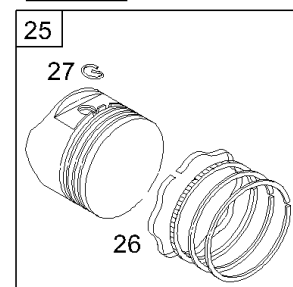
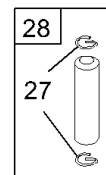
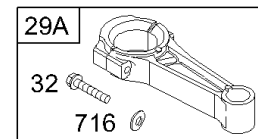


Blower Housing/Shrouds

REF NO	PART NO	QTY	DESCRIPTION
304	691391		HOUSING, Blower -(Red)
305C	690297		SCREW -(Blower Housing)
306	690414		SHIELD, Cylinder
306A	690435		SHIELD, Cylinder
307	691003		SCREW -(Cylinder Shield)
405	690364		SCREW -(Back Plate)
447	690297		SCREW -(Air Guide Cover)
573	690764		PLATE, Back -Used Before Code Date 00101600
573	696040		PLATE-BACK -Used After Code Date 00101500
865	691196		COVER-AIR GUIDE
865A	691197		COVER-AIR GUIDE
1036	695702		LABEL, Emissions -Used After Code Date 00063000 -Used Before Code Date 01100100
1036	499382		LABEL, Emissions -Used Before Code Date 99010100
1036	694402		LABEL, Emissions -Used After Code Date 98123100 -Used Before Code Date 99100100
1036	694979		LABEL, Emissions -Used After Code Date 99093000 -Used Before Code Date 00070100
1036	696779		LABEL, Emissions -Used After Code Date 01093000

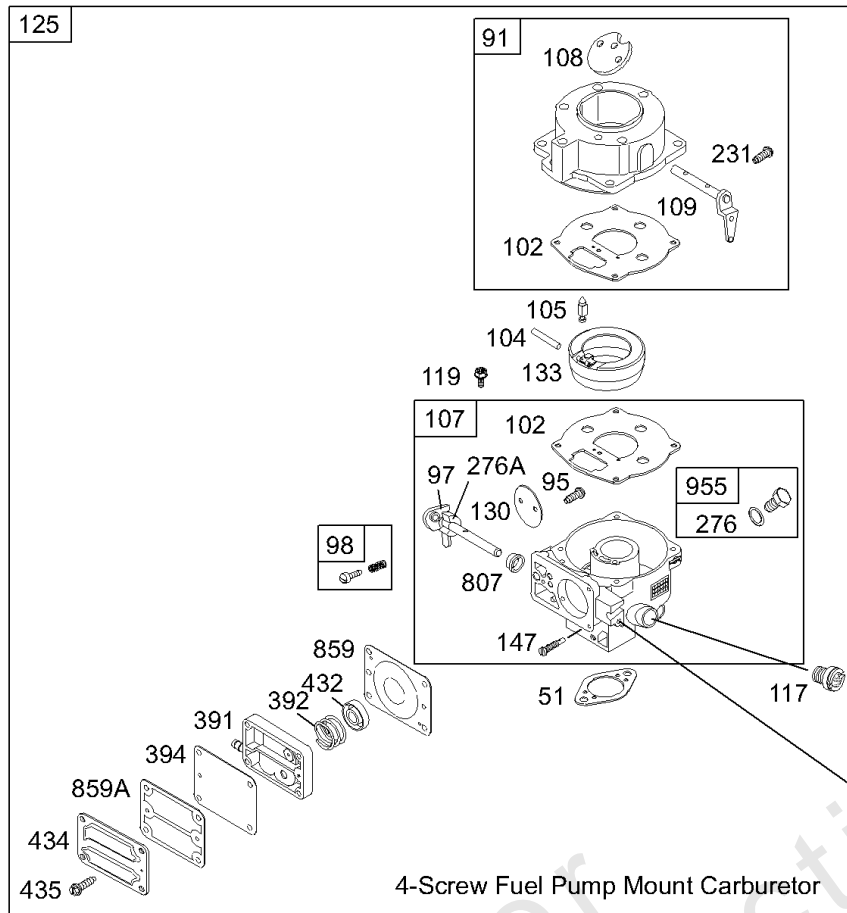


24



Cam, Crankshaft, Pistons, Valves

REF NO	PART NO	QTY	DESCRIPTION
16A	690666		CRANKSHAFT
24	222698S		KEY, Flywheel
25	499181		PISTON ASSEMBLY -(.010 Oversize)
25	499182		PISTON ASSEMBLY -(.020 Oversize)
25	499183		PISTON ASSEMBLY -(.030 Oversize)
25	499180		PISTON ASSEMBLY -(Standard)
26	499186		SET, Ring -(.020 Oversize)
26	499187		SET, Ring -(.030 Oversize)
26	499185		SET, Ring -(.010 Oversize)
26	499184		SET, Ring -(Standard)
27	691299		LOCK, Piston Pin
28	498319		PIN, Piston -(Standard)
28	498320		PIN, Piston -(.005 Oversize)
29A	498314		ROD, Connecting -(Standard)
29A	498541		ROD, Connecting -(.020 Undersize)
32	691133		SCREW -(Connecting Rod)
33	691794		VALVE, Exhaust
34A	691302		VALVE, Intake
35	691605		SPRING, Valve -(Intake)
36	691597		SPRING, Valve -(Exhaust)
40	690656		RETAINER, Valve -(Intake)
40A	691939		RETAINER-VALVE -(Exhaust)
42	494553		KEEPER, Valve -(Exhaust)
45	691800		TAPPET, Valve
46	691161		CAMSHAFT
47	691964		GEAR, Governor
146	691639		KEY, Woodruff
716	220863		WASHER -(Connecting Rod)
741	691285		GEAR, Timing
868A	692036		SEAL, Valve -(Brown)
868B	691891		SEAL, Valve
1132	690353		SCREW -(Oil Slinger)
1159	690286		WASHER -(Oil Slinger)



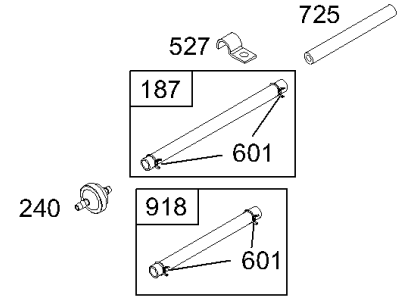
Model 4607

Model 4617

Model 4627

Model 4637

SEE ADDITIONAL PAGES FOR MORE CARBURETOR INFORMATION



121 CARBURETOR OVERHAUL KIT	
51	392
95	394
102	432
104	807
105	859
117	859A
147	
276	
276A	

Model 42A7

Model 42B7

Model 42D7

Model 42E7

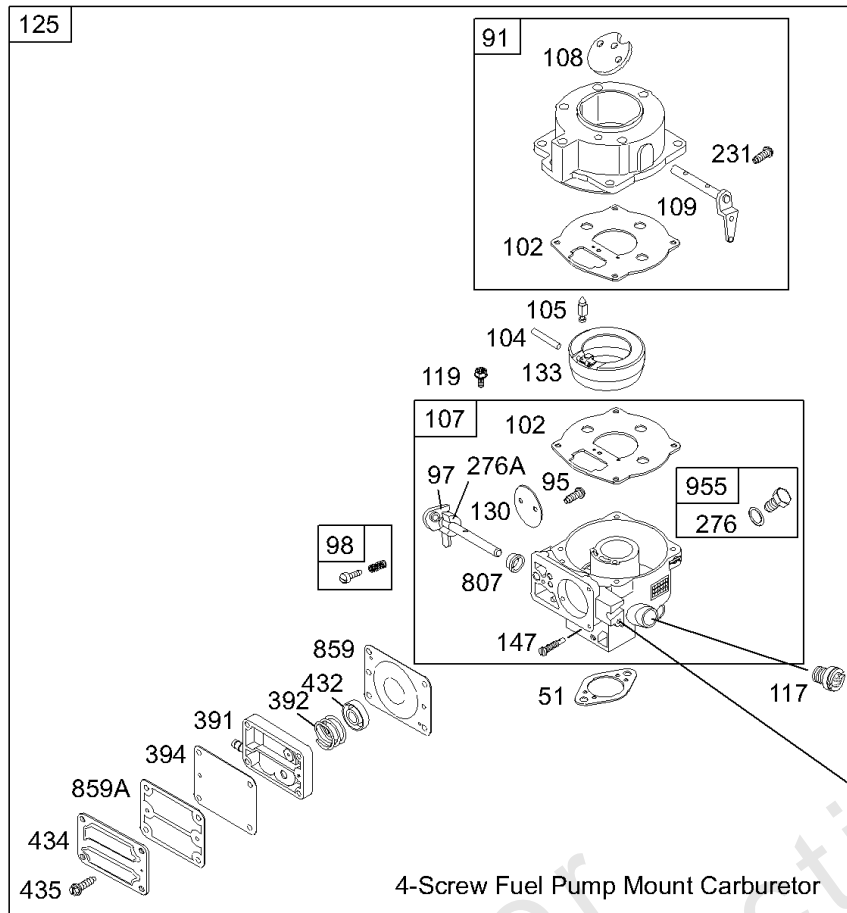
Model 4227

861 FUEL PUMP KIT	
392	
394	
432	
859	
859A	

Not For Reproduction

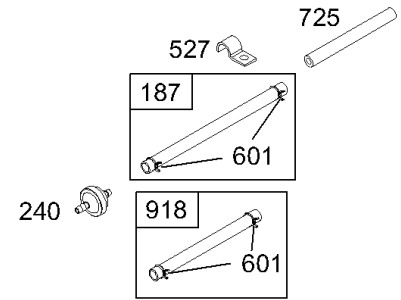
Carburetor 1, Kit/Gasket Sets - Carburetor 1, Kit/Gasket Sets - Fuel Pump 1

REF NO	PART NO	QTY	DESCRIPTION
51	692278		GASKET, Intake
91	693483		BODY, Upper Carburetor
95	690718		SCREW -(Throttle Valve)
97	693485		SHAFT, Throttle
98	807923		KIT, Idle Speed
102	693509		GASKET, Carburetor Body
104	693506		PIN-FLOAT HINGE
105	692078		VALVE, Float Needle
107	693482		BODY, Lower Carburetor
108	693505		VALVE, Choke
109	693498		SHAFT, Choke
117	693538		JET, Main -(Standard)
118	693500		JET, Main -(High Altitude)
119	690720		SCREW -(UPPER TO LOWER CARBURETOR BODY)
121	693501		KIT, Carburetor Overhaul -(Used On 4 Screw Fuel Pump Mount Carburetors) -Used After Code Date 98091300
125	693479		CARBURETOR -(4 Screw Fuel Pump Mount)
130	693504		VALVE, Throttle
133	693512		FLOAT, Carburetor
147	693508		JET, Pilot
187	296004		LINE, Fuel -(Cut To Required Length)
231	690718		SCREW -(Choke Valve)
240	394358S		FILTER, Fuel
267	690316		SCREW -(Casing Clamp)
276	693497		WASHER, Sealing -(Carburetor Plug)
276A	693510		WASHER, Sealing -(Foam)
391	693487		BODY, Fuel Pump
392	693491		SPRING, Pump Diaphragm
394	693489		DIAPHRAGM, Carburetor
432	693492		CAP, Spring
434	693493		COVER, Diaphragm
435	693494		SCREW -(Diaphragm Cover)
527	690423		CLAMP, Tube
601	95162S		CLAMP, Hose -(Zinc Plate)(Spring Wire)
807	693511		SPACER -(Throttle)
859	693488		GASKET, Carburetor Pump
859A	693490		GASKET, Carburetor Pump
861	693502		KIT, Fuel Pump -(Used On 4 Screw Fuel Pump Mount Carburetors) -Used After Code Date 98091300
918	393815		HOSE, Vacuum -(Cylinder To Impulse Pump)(Cut to Required Length)



- Model 4607
- Model 4617
- Model 4627
- Model 4637

SEE ADDITIONAL PAGES FOR MORE CARBURETOR INFORMATION



121 CARBURETOR OVERHAUL KIT	
51	392
95	394
102	432
104	807
105	859
117	859A
147	
276	
276A	

- Model 42A7
- Model 42B7
- Model 42D7
- Model 42E7
- Model 4227

861 FUEL PUMP KIT	
392	
394	
432	
859	
859A	

Not For Reproduction

Carburetor 1, Kit/Gasket Sets - Carburetor 1, Kit/Gasket Sets - Fuel Pump 1

REF NO	PART NO	QTY	DESCRIPTION
947	693495		SOLENOID, Fuel -Used After Code Date 98091300
955	693513		PLUG, Carburetor

Not For Reproduction

Model 42A7

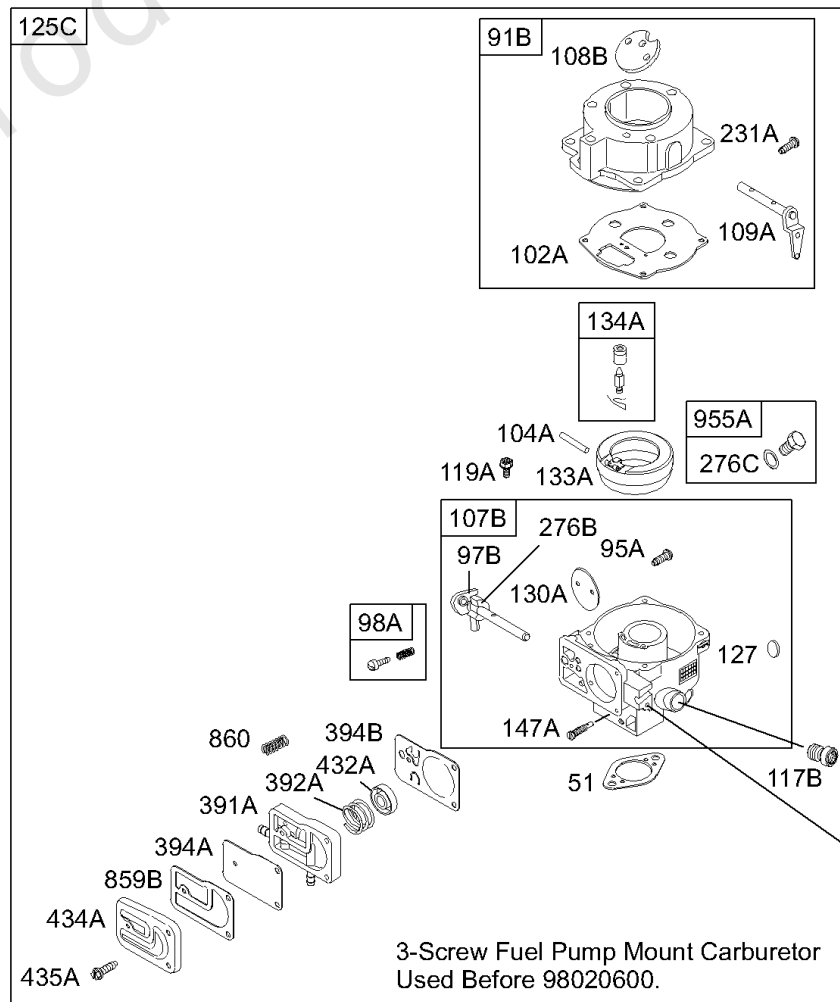
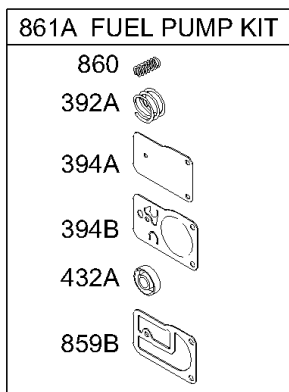
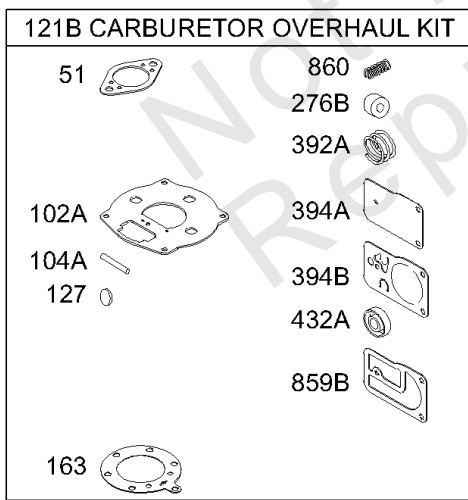
Model 42B7

Model 42D7

Model 42E7

Model 4227

3-Screw Fuel Pump
Mount Carburetor
Used Before 98020600.



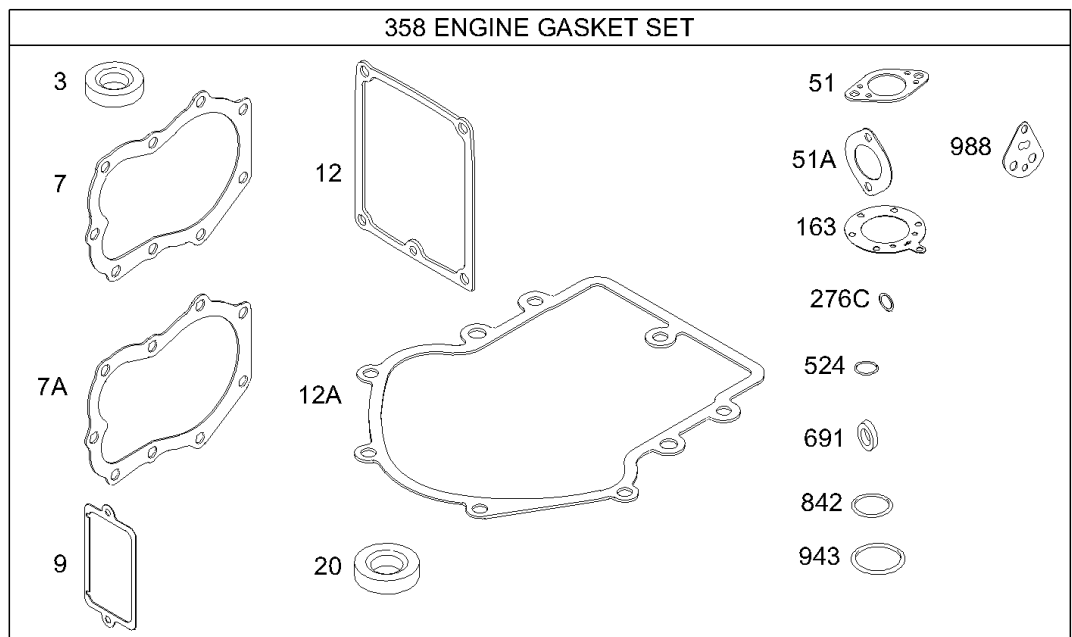
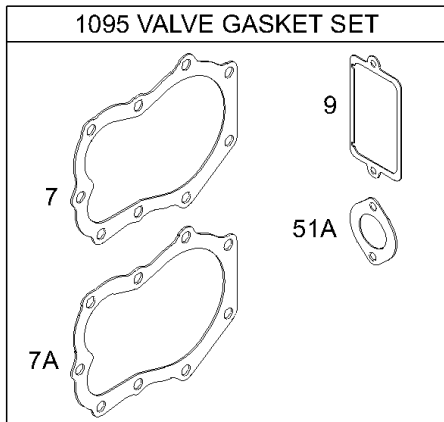
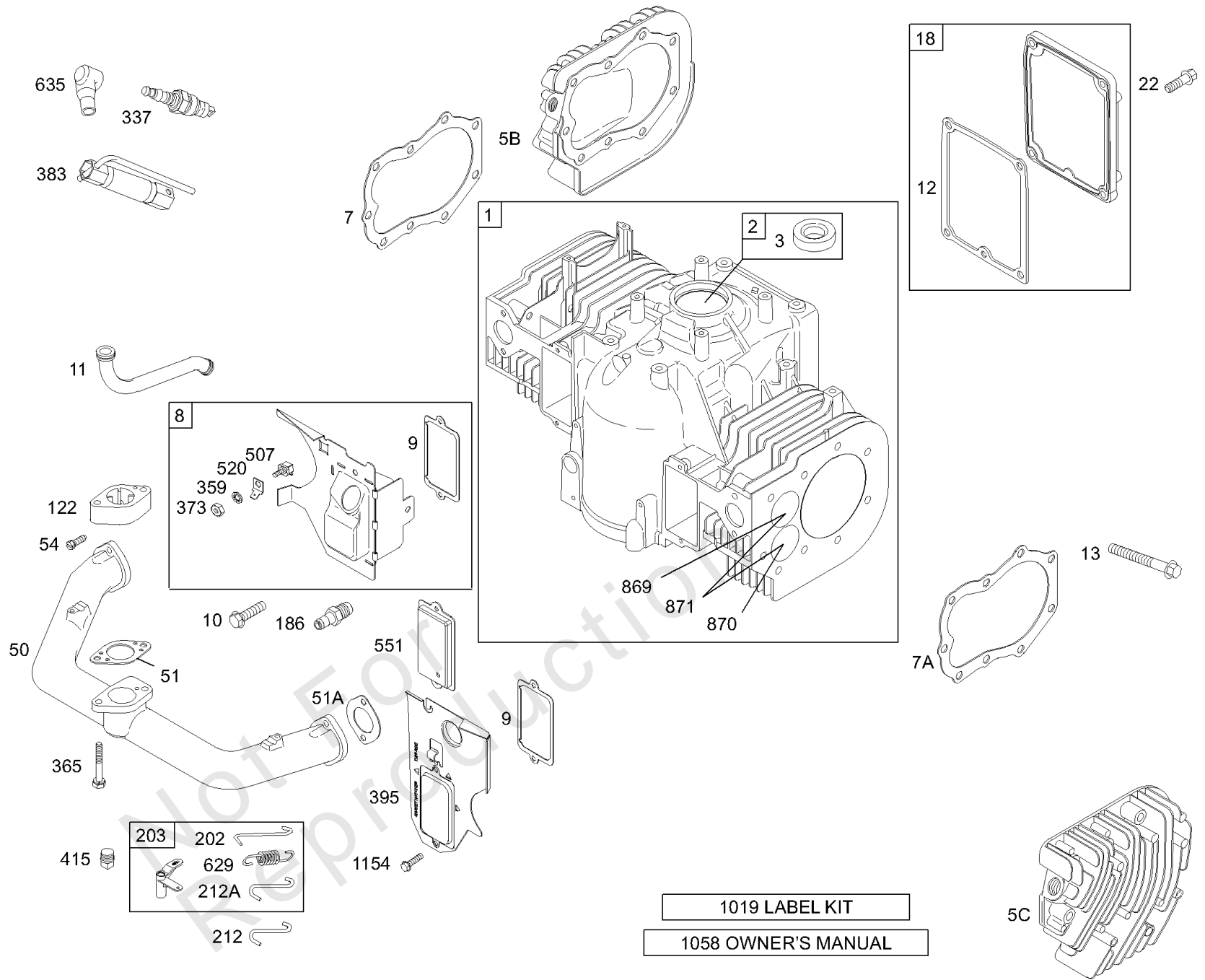
Model 4607

Model 4617

3-Screw Fuel Pump
Mount Carburetor
Used Before 98020600.

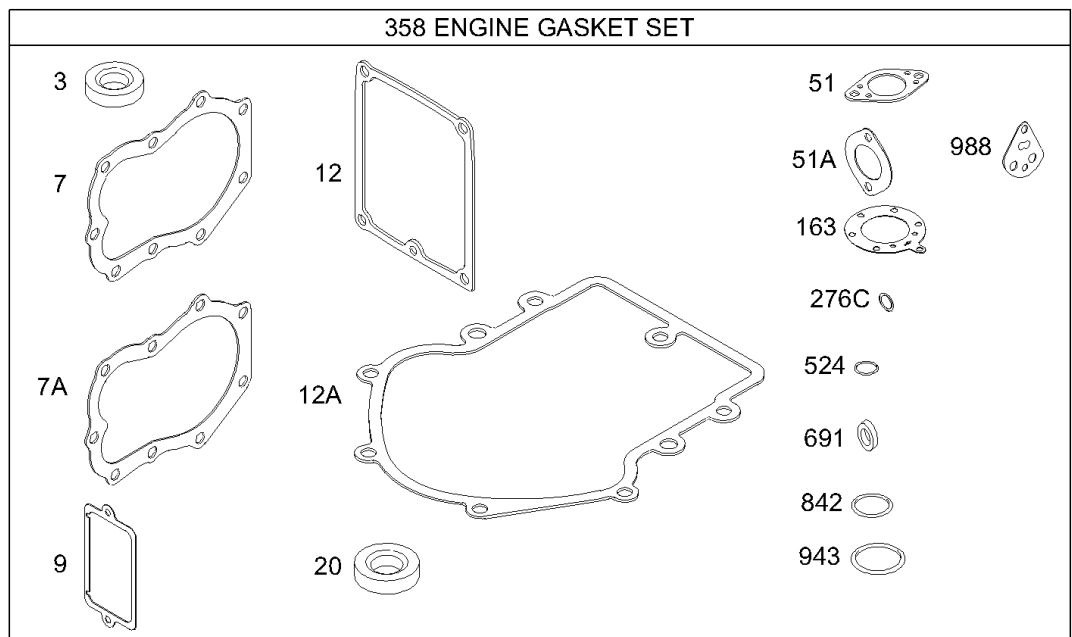
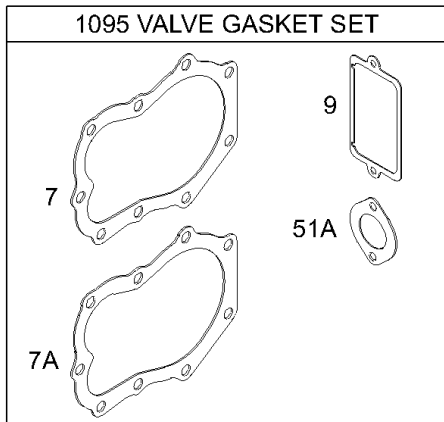
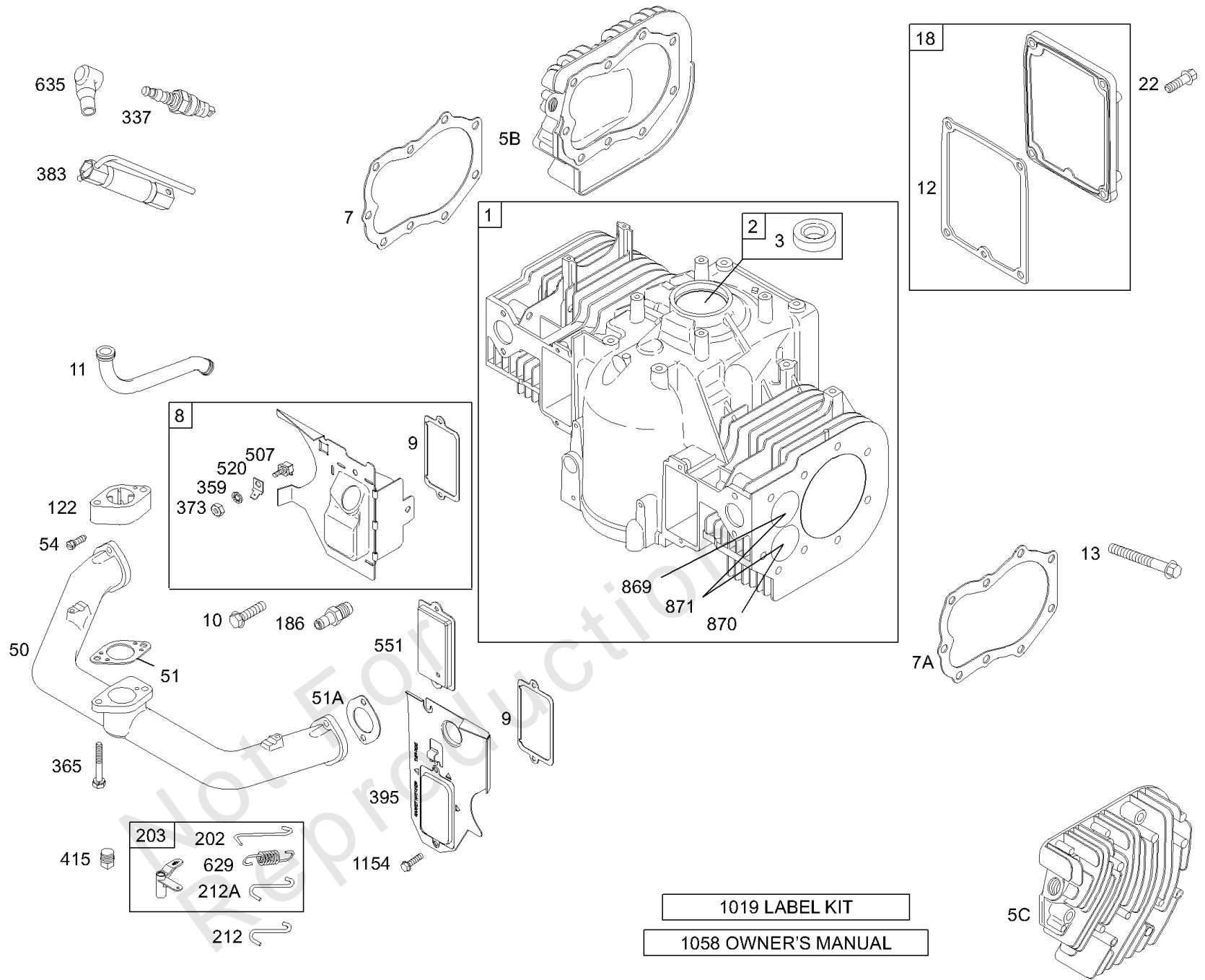
Carburetor 2, Kit/Gasket Sets - Carburetor 2, Kit/Gasket Sets - Fuel Pump 2

REF NO	PART NO	QTY	DESCRIPTION
51	692278		GASKET, Intake
91B	495035		BODY, Upper Carburetor
95A	691437		SCREW -(Throttle Valve)
97B	690629		SHAFT-THROTTLE
98A	693942		KIT, Idle Speed
102A	273186S		GASKET, Carburetor Body
104A	691775		PIN, Float Hinge
107B	491543		BODY, Lower Carburetor
108B	223534		VALVE, Choke
109A	691957		SPRING, Valve
117B	691773		JET, Main -(Standard)
117D	691256		JET, Main -(Standard)
118C	232152		JET, Main -(High Altitude)
119A	691090		SCREW -(UPPER TO LOWER CARBURETOR BODY)
121B	694056		KIT, Carburetor Overhaul -(Used On 3 Screw Fuel Pump Mount Carburetors) -Used Before Code Date 98091400
125C	-----		MOTOR, Starter -(3 Screw Fuel Pump Mount)(Service With Reference 125)
127	691739		PLUG-WELCH
130A	691727		VALVE, Throttle
133A	692265		FLOAT-CARBURETOR
134A	394683		KIT, Needle/Seat -(Pump Feed)
147A	691431		JET, Pilot
163	690273		GASKET, Air Cleaner -(Air Cleaner)
231A	691437		SCREW -(Choke Valve)
267	690316		SCREW -(Casing Clamp)
276B	691872		WASHER, Sealing -(Foam)
276C	691319		WASHER, Sealing -(Carburetor Plug)
391A	691896		BODY, Fuel Pump
392A	691801		SPRING, Pump Diaphragm
394A	691871		DIAPHRAGM, Carburetor
394B	272638S		DIAPHRAGM-CARB.
432A	690766		CAP-SPRING
434A	690434		COVER, Diaphragm
435A	691085		SCREW -(Diaphragm Cover)
859B	691873		GASKET, Carburetor Pump
860	691799		SPRING, Diaphragm
861A	393397		KIT, Fuel Pump -(Used On 3 Screw Fuel Pump Mount Carburetors) -Used Before Code Date 98091400
947A	397266		SOLENOID, Fuel
955A	397882		PLUG, Carburetor -(Solenoid Hole)



Crankcase Cover/Cylinder, Head, Kit/Gasket Sets - Engine, Kit/Gasket Sets - Valve

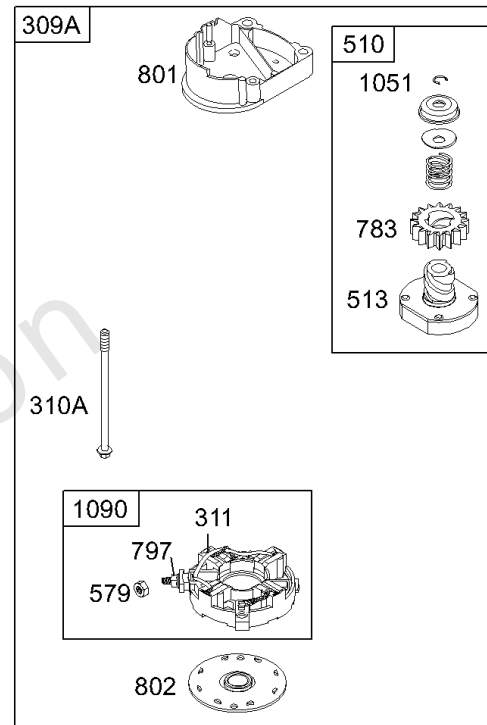
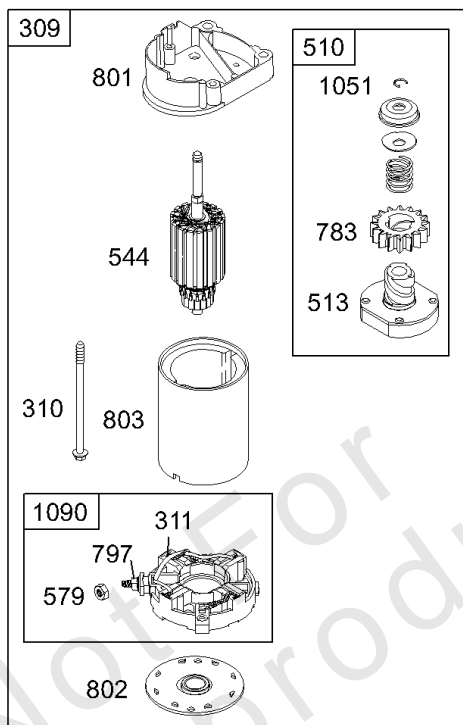
REF NO	PART NO	QTY	DESCRIPTION
1	498583		CYLINDER ASSEMBLY
2	399265		KIT, Bushing/Seal -(Magneto Side)
3	391086S		SEAL, Oil -(Magneto Side)
5B	691162		HEAD, Cylinder -(Cylinder 1)
5C	691163		HEAD, Cylinder -(Cylinder 2)
7	271867S		GASKET, Cylinder Head -(Cylinder 1)
7A	271868S		GASKET, Cylinder Head -(Cylinder 2)
8	495754		BREATHER ASSEMBLY -(Cylinder 1)
9	27803S		GASKET, Breather
10	690334		SCREW -(Breather Assembly)
11	691899		TUBE, Breather
12	692287		GASKET, Crankcase
12A	692292		GASKET, Crankcase -(.015)(Standard)
12A	271189		GASKET, Crankcase -(.009)
12A	271188		GASKET, Crankcase -(.005)
13	691651		SCREW -(Cylinder Head)
18	495901		COVER-CRANKCASE
20	291675S		SEAL, Oil -(PTO Side)
22	691104		SCREW -(Crankcase Cover/Sump)
50	691709		MANIFOLD, Intake
51	692278		GASKET, Intake
51A	692219		GASKET, Intake
54	93208		SCREW -(Intake Manifold)
122	691928		SPACER, Carburetor
163	690273		GASKET, Air Cleaner -(Air Cleaner)
186	691764		CONNECTOR-HOSE -(Pulse Line)
202	690570		LINK, Mechanical Governor
203	493230		LINK, Throttle
212	693544		LINK, Throttle -(Used On 4 Screw Fuel Pump Mount Carburetors)
212A	690571		LINK, Throttle -(Used On 3 Screw Fuel Pump Mount Carburetors)
276C	691319		WASHER, Sealing -(Carburetor Plug)
337	802592S		PLUG, Spark -(Resistor)
358	495868		GASKET SET, Engine
359	691077		WASHER -(Ground Terminal)
365	690321		SCREW -(Carburetor)



Crankcase Cover/Cylinder, Head, Kit/Gasket Sets - Engine, Kit/Gasket Sets - Valve

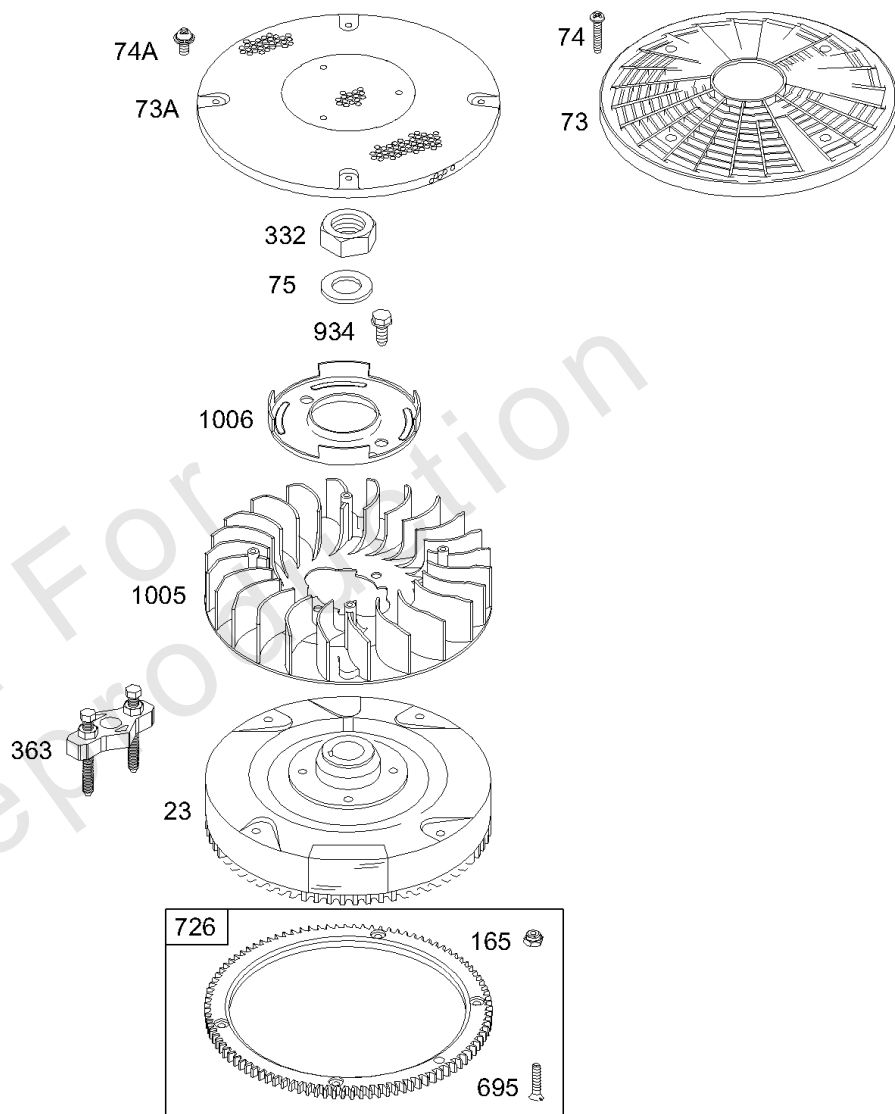
REF NO	PART NO	QTY	DESCRIPTION
373	691612		NUT -(Ground Terminal)
383	89838S		WRENCH-SPARK PLUG
395	690481		COVER, Valve Chamber
415	690283		PLUG, Oil -(Oil Pressure Switch)
507	691972		INSULATOR
520	691084		TERMINAL, Ground
524	692532		SEAL, O-Ring -(Dipstick Tube)
551	690415		COVER, Breather Passage
629	262539		SPRING, Throttle Return -(Throttle Return)
635	66538S		BOOT, Spark PLug
691	690657		SEAL, Governor Shaft
842	271170		SEAL, O-Ring -(Dipstick Tube)
869	691802		SEAT, Valve -(Intake)
870	691844		SEAT-VALVE -(Exhaust)
871	261961		BUSHING, Valve Guide -(Exhaust)
871	231218		BUSHING, Valve Guide -(Intake)
943	690589		SEAL, O-Ring -(Oil Pump Cover)
988	691313		GASKET, Oil Adapter
1019	496726		KIT, Label
1058	274796		MANUAL, Operator's -(Emission)
1095	498047		GASKET SET, Valve
1154	690366		SCREW -(Valve Chamber Cover)

697 



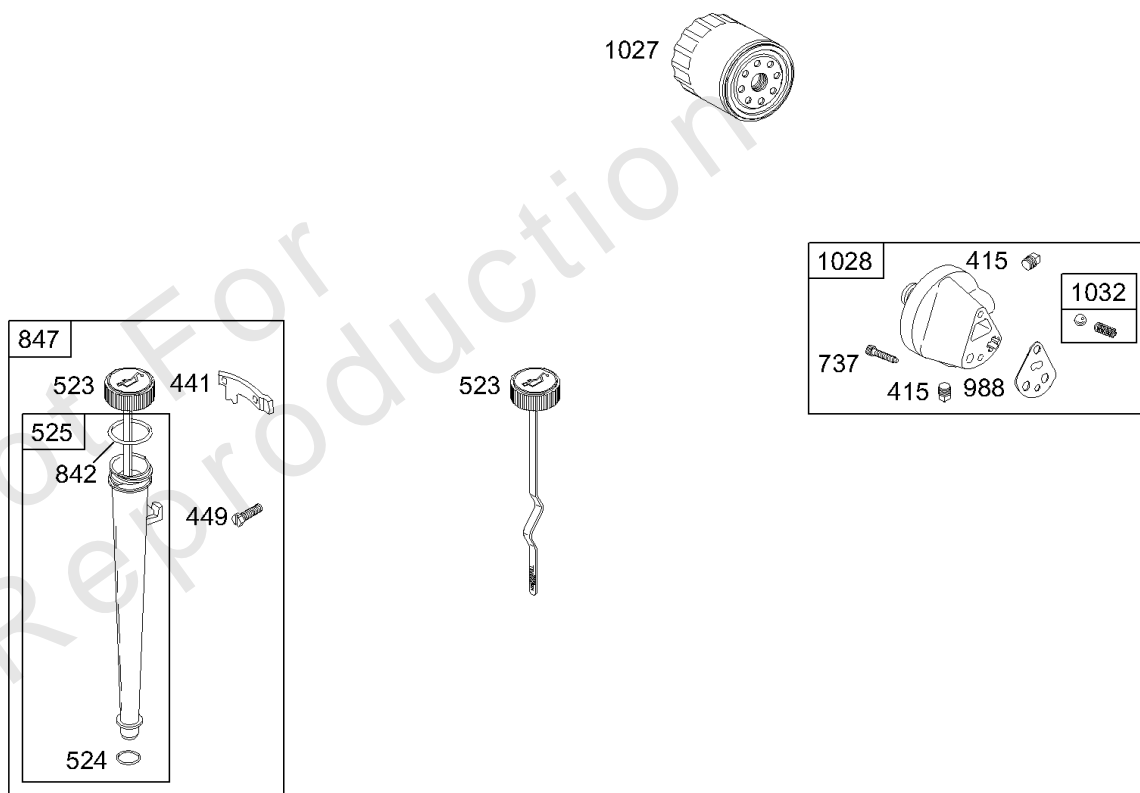
Electric Starter

REF NO	PART NO	QTY	DESCRIPTION
309	497596		MOTOR, Starter -(3 5/8 Housing)
309A	498148		MOTOR, Starter -(4 3/8 Housing)
310	690323		SCREW -(Starter Motor) (3 5/8" Housing Length)
310A	691263		BOLT -(Starter Motor) (4 3/8 Housing)
311	497608		SET, Brush
510	497606		DRIVE, Starter
513	692024		CLUTCH, Drive
544	692034		ARMATURE, Starter -(3 5/8 Housing)
579	690958		NUT -(Starter Cable)
697	691625		SCREW -(Drive Cap)
783	693059		GEAR, Pinion -(Aluminum Ring Gear Only)
797	693167		NUT -(Brush Retainer)
801	691967		CAP, Drive
802	691286		CAP, End
803	693757		HOUSING, Starter -(3 5/8 Housing)
803	-----		MOTOR, Starter -(4 3/8 Housing)(service With Reference 309A)
1051	691265		RING, Retaining
1090	691293		RETAINER, Brush



Flywheel

REF NO	PART NO	QTY	DESCRIPTION
23	691976		FLYWHEEL
73A	692527		SCREEN-ROTATING -(Steel)
74	691134		SCREW -(Rotating Screen)
74A	691677		SCREW -(Rotating Screen)
75	691056		WASHER -(Flywheel)
165	693148		NUT -(Ring Gear)
332	691059		NUT -(Flywheel)
363	19203		PULLER, Flywheel
695	693149		SCREW -(Ring Gear)
726	391362		GEAR, Ring -(Includes Mounting Hardware)
934	691058		SCREW -(Fan Retainer)
1005	498157		FAN, Flywheel
1006	691247		RETAINER, Fan



Oil

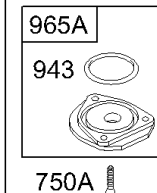
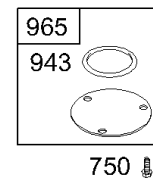
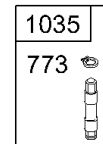
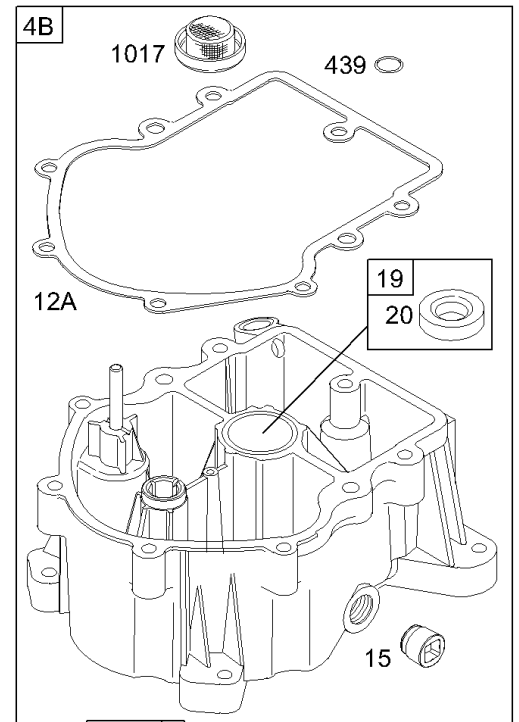
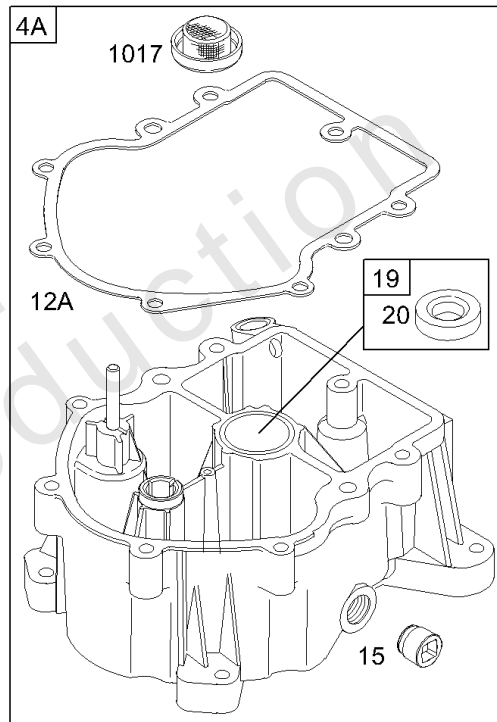
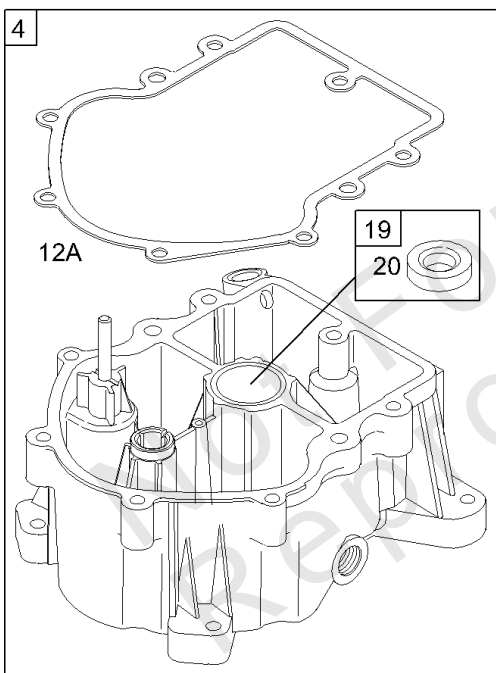
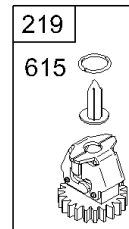
REF NO	PART NO	QTY	DESCRIPTION
415	690283		PLUG, Oil -(Oil Pressure Switch)
441	691176		BRACKET-OIL FILL
449	691044		SCREW -(Oil Fill Bracket)
523	691385		DIPSTICK
524	692532		SEAL, O-Ring -(Dipstick Tube)
525	690823		TUBE, Dipstick
737	690332		SCREW -(Oil Filter Adapter)
842	271170		SEAL, O-Ring -(Dipstick Tube)
847	495715		DIPSTICK/TUBE ASSEMBLY
988	691313		GASKET, Oil Adapter
1027	492932S		FILTER, Oil -(2 1/4" Long)
1028	491721		ADAPTER, Oil Filter
1032	491710		SPRING, Compression

Not For Reproduction

Replacement Engine - US & Canada

REF NO	PART NO	QTY	DESCRIPTION
	-----		Top No-Load Speed: 3400 -Trim: ALL
	-----		Idle Speed: 1750

Not For Reproduction



Sump

REF NO	PART NO	QTY	DESCRIPTION
4	493304		SUMP, Engine -(Splash Lube)
12A	271189		GASKET, Crankcase -(.009)
12A	271188		GASKET, Crankcase -(.005)
12A	692292		GASKET, Crankcase -(.015)(Standard)
15	691680		PLUG, Oil Drain -(1/2" Square Flush)
15A	690946		PLUG, Oil Drain -(3/8" Standard)
19	399264		KIT, Bushing/Seal -(PTO Side)
20	291675S		SEAL, Oil -(PTO Side)
22A	693972		SCREW -(Crankcase Cover/Sump)
219	394348		GEAR, Governor
220	690412		WASHER -(Governor Gear)
239	491657S		SWITCH, Oil Pressure
439	690589		SEAL, O-Ring -(Crankcase Cover/Sump)
615	690317		RETAINER, Governor Shaft
750	690960		SCREW -(Oil Pump Cover) -Used After Code Date 98011100
750A	690336		SCREW -(Oil Pump Cover) -Used Before Code Date 98011200
773	692334		RETAINER
943	690589		SEAL, O-Ring -(Oil Pump Cover)
965	499613		COVER, Oil Pump -Used After Code Date 98011100
965A	492197		COVER, Oil Pump -Used Before Code Date 98011200
1024	499054		PUMP, Oil
1035	693158		SHAFT, Pump

