

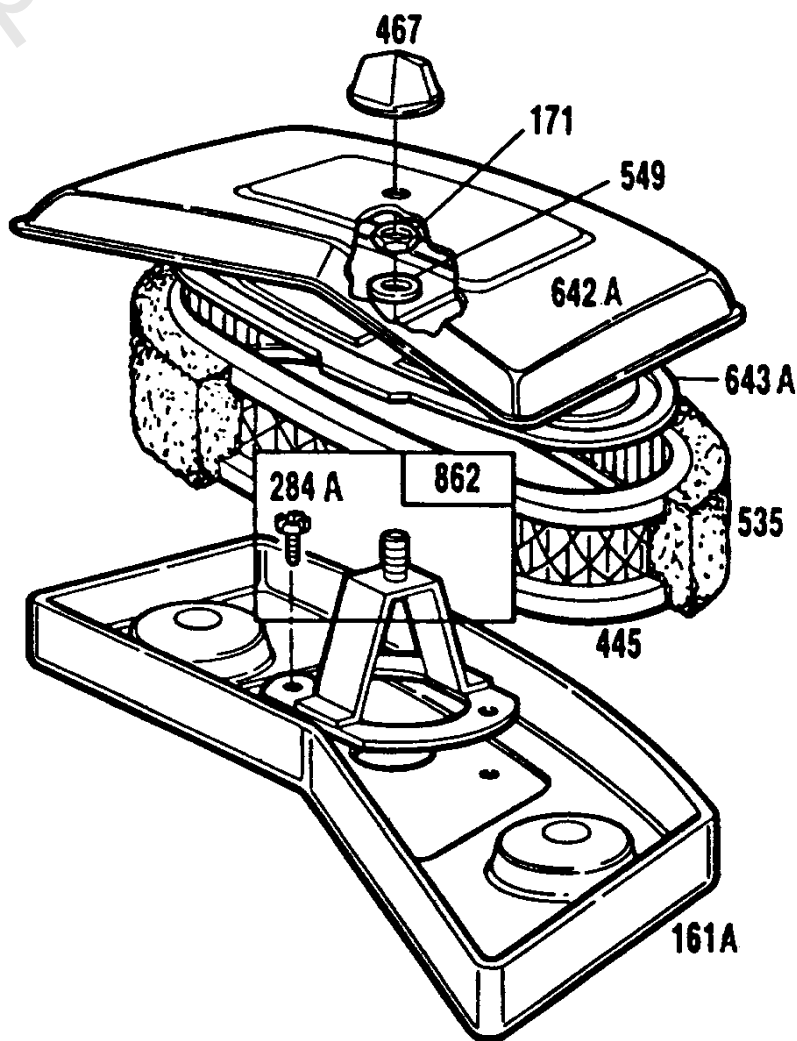
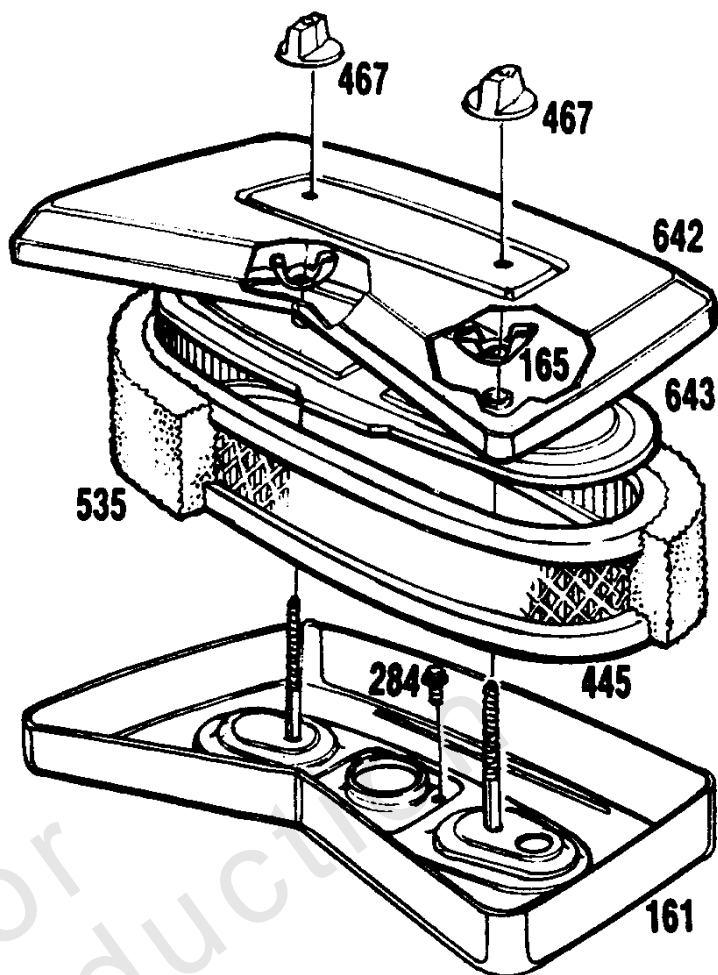


Parts Manual

Mfg. No: 401707-0111-99

Model Components	Page
Air Cleaner Groups.	4
Alternators,Elect,Flywheel.	6
Carburetor Assembly,Manifold.	8
Carburetor Assembly,Manifold.	14
Carburetor Assembly,Manifold.	20
Cylinder,Cylinder Heads,Sump.	24
Electric Starter and Chart.	30
Mufflers,Shielding,Elect.	32
Replacement Engine - US & Canada.	34
Model 40, 44 & 49 Engine Accessories Catalog.	35
Maintenance Kits.	36
Engine Mounted Below Deck Mufflers.	38
Engine Mounted Above Deck Mufflers.	40
Spark Arrester/Deflector.	42
Lubrication.	44
Implement Mounted Above Deck Mufflers.	46
Exhaust/Muffler Configurations.	48
Electrical.	50
Flywheel Guards.	52
Speed Control.	54
Muffler Mounting Hardware.	56

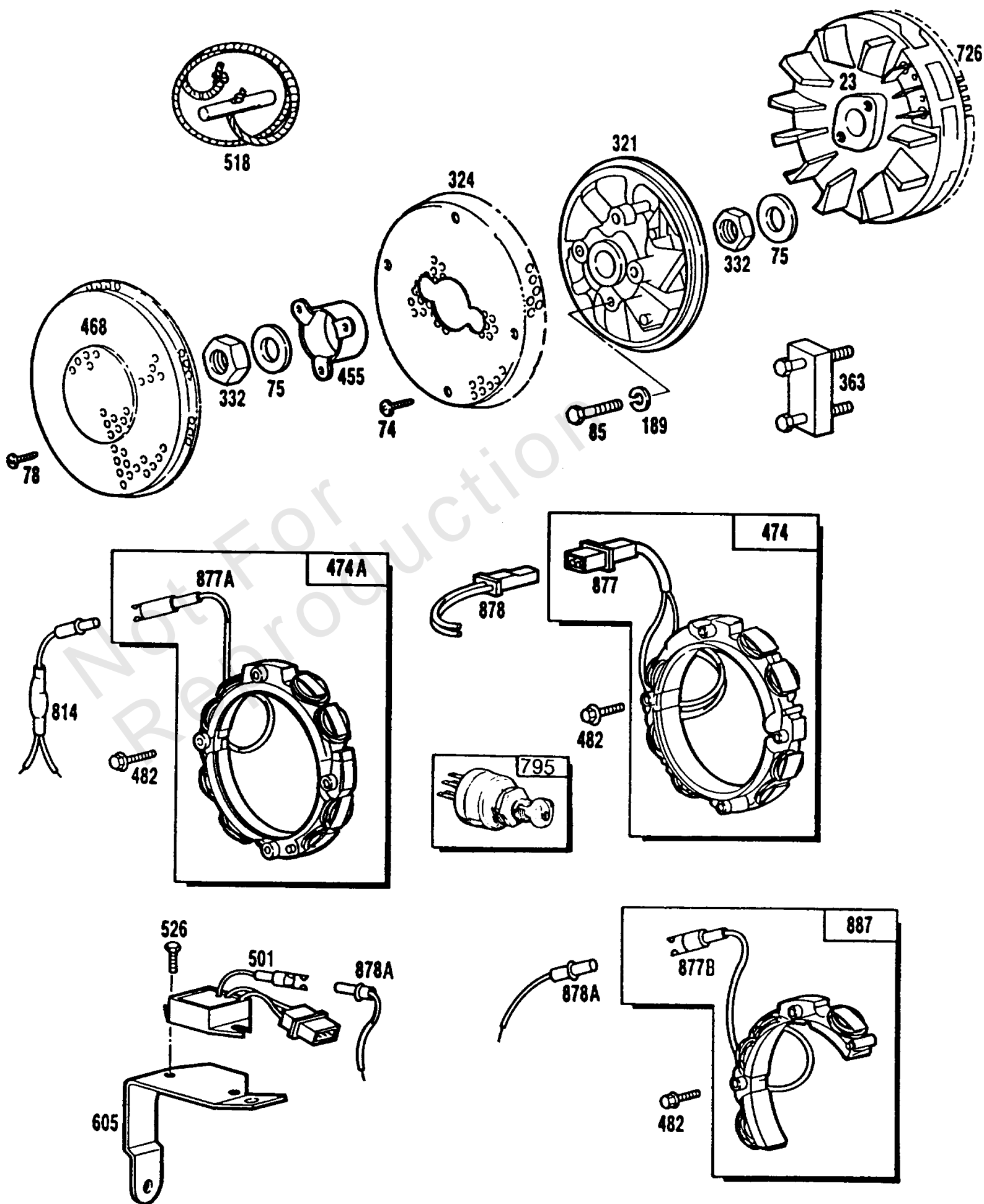
Not For
Reproduction



Air Cleaner Groups

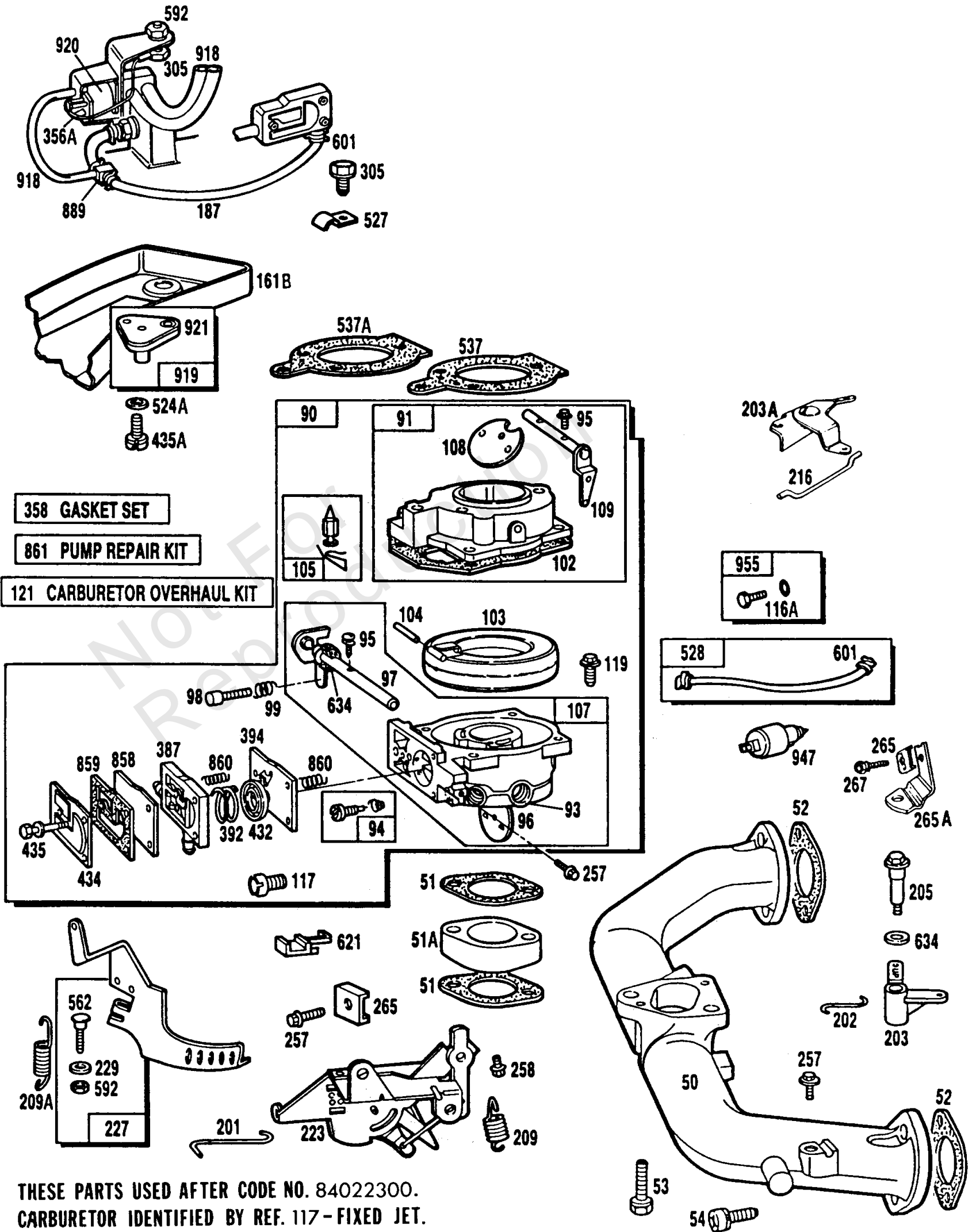
REF NO	PART NO	QTY	DESCRIPTION
161A	222861		BASE, Air Cleaner
161	398826		BASE, Air Cleaner
165	94289		NUT
171	93715		NUT -(Starter Terminal)
284A	93893		SCREW
284	94166		SCREW
445	394019		FILTER, A/C Cartridge
467	212706		KNOB, Choke Shaft
535	271141		FILTER, Air Cleaner Foam
549	271180		WASHER
642A	223002		COVER, Air Cleaner
642	223579		COVER, Air Cleaner
643A	222859		RETAINER, Air Filter
643	223714		RETAINER, Air Filter
862	394546		BASE, Air Cleaner

Not For Reproduction



Alternators, Elect, Flywheel

REF NO	PART NO	QTY	DESCRIPTION
23	392956		FLYWHEEL
74	93808		SCREW
75	222511		WASHER -(Spring)
78	93805		SCREW
85	92674		SCREW -(2-7/16)
189	90366		WASHER
321	212277		FAN, Booster
324	222872		SCREEN, Rotating
332	230674		NUT
363	19203		PULLER, Flywheel
455	222674		CUP, Flywheel
468	222673		SCREEN, Rotating
474A	392595		ALTERNATOR -(Tri Circuit) (9 Amp Regulated)
474	393295		ALTERNATOR -(10, 13, or 16 Amp-Depending on Size of Flywheel Magnets) (Regulated)
474	393474		ALTERNATOR -(Dual Circuit)
482	93621		SCREW -(Tapping)
501	394890		REGULATOR -(10, 13, or 16 Amp, Depending on Size of Flywheel Magnets)
518	69932		GRIP, Starter Rope
526	93343		SCREW -(Control Panel)
605	222959		BRACKET, Support
726	391362		GEAR, Ring -(Includes Mounting Hardware)
795	490066		SWITCH, Key
814	392606		HARNESS, Alternator -(Tri Circuit)
877B	393814		WIRE/CONNECTOR, Alternator -(10 Amp Regulated)
877A	393537		WIRE/CONNECTOR, Alternator -(Tri Circuit) (9 Amp)
877	393456		WIRE/CONNECTOR, Alternator
878A	393422		WIRE ASSEMBLY -(Dc Only)
878	393362		HARNESS, Alternator -(Dual Circuit)
887	391529		ALTERNATOR -(DC Only)

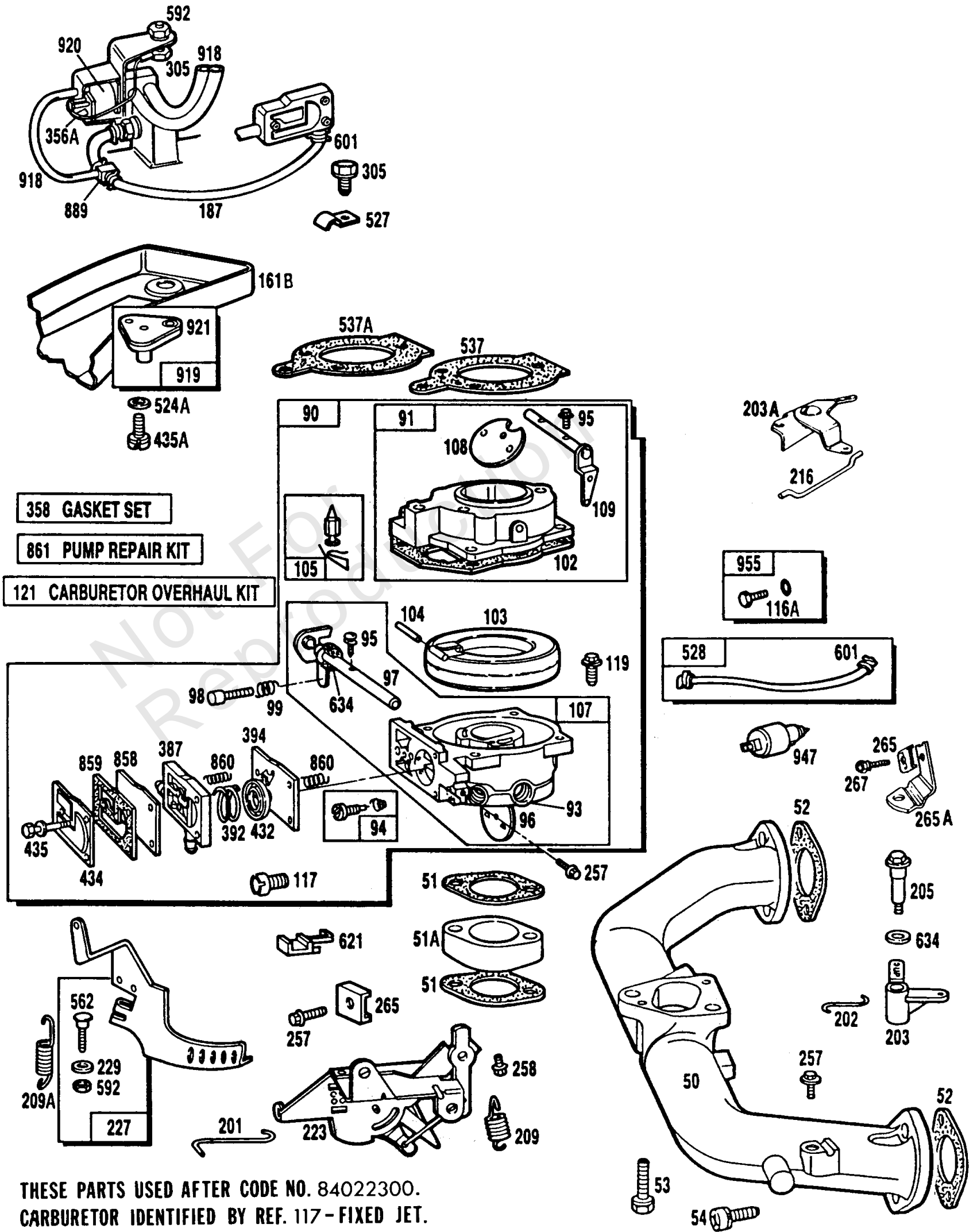


Carburetor Assembly,Manifold

REF NO	PART NO	QTY	DESCRIPTION
50	212965		MANIFOLD, Intake
51A	280319		SPACER, Carburetor
51	271412		GASKET, Intake -Included in Carburetor Overhaul Kit-Part No. 394502. Included in Gasket Set- Part No. 394501
52	270884		GASKET, Intake -Included in Gasket Set-Part No. 394501
53	93970		SCREW
54	93208		SCREW -(Intake Manifold)
90	397245		CARBURETOR -(Remote Choke) -Used After Code Date 84022300
91	399535		BODY, Upper Carburetor -Used After Code Date 85082500
93	231209		BUSHING, Throttle Shaft
94	292681		VALVE, Idle Mixture -Included in Carburetor Overhaul Kit-Part No. 394502
95	93499		SCREW -(Throttle Valve)
96	221939		VALVE, Throttle
97	392672		SHAFT, Throttle
98	91920		SCREW -(8-32 X 5/8)
99	26157		SPRING, Compression
102	271607		GASKET, Carburetor Body -Included in Carburetor Overhaul Kit-Part No. 394502
104	230896		PIN, Float Hinge -Included in Carburetor Overhaul Kit-Part No. 394502
105	394681		KIT, Needle/Seat -(Gravity Feed) Included in Carburetor Overhaul Kit-Part No. 394502
107	397270		BODY, Lower Carburetor -Used After Code Date 84022300 and Before Code Date 85082600
107	399623		BODY, Lower Carburetor -Used After Code Date 85082500
108	222010		VALVE, Choke -Used Before Code Date 85082600
108	223534		VALVE, Choke -Used After Code Date 85082500
109	392673		SHAFT, Choke
116A	280474		SEAL, O-Ring
117	231333		JET, Main -(High Altitude)
117	231338		JET, Main
119	94152		SCREW -(Upper To Lower Carburetor Body)
121	394502		KIT, Carburetor Overhaul
161B	223251		BASE, Air Cleaner
187	299146		LINE, Fuel -(Cut To Required Length)
201	261586		LINK, Choke
202	261587		LINK, Throttle
203A	490207		CRANK, Bell
203	280320		CRANK, Bell

Footnotes:

Included in Carburetor Overhaul Kit-Part No. 394502

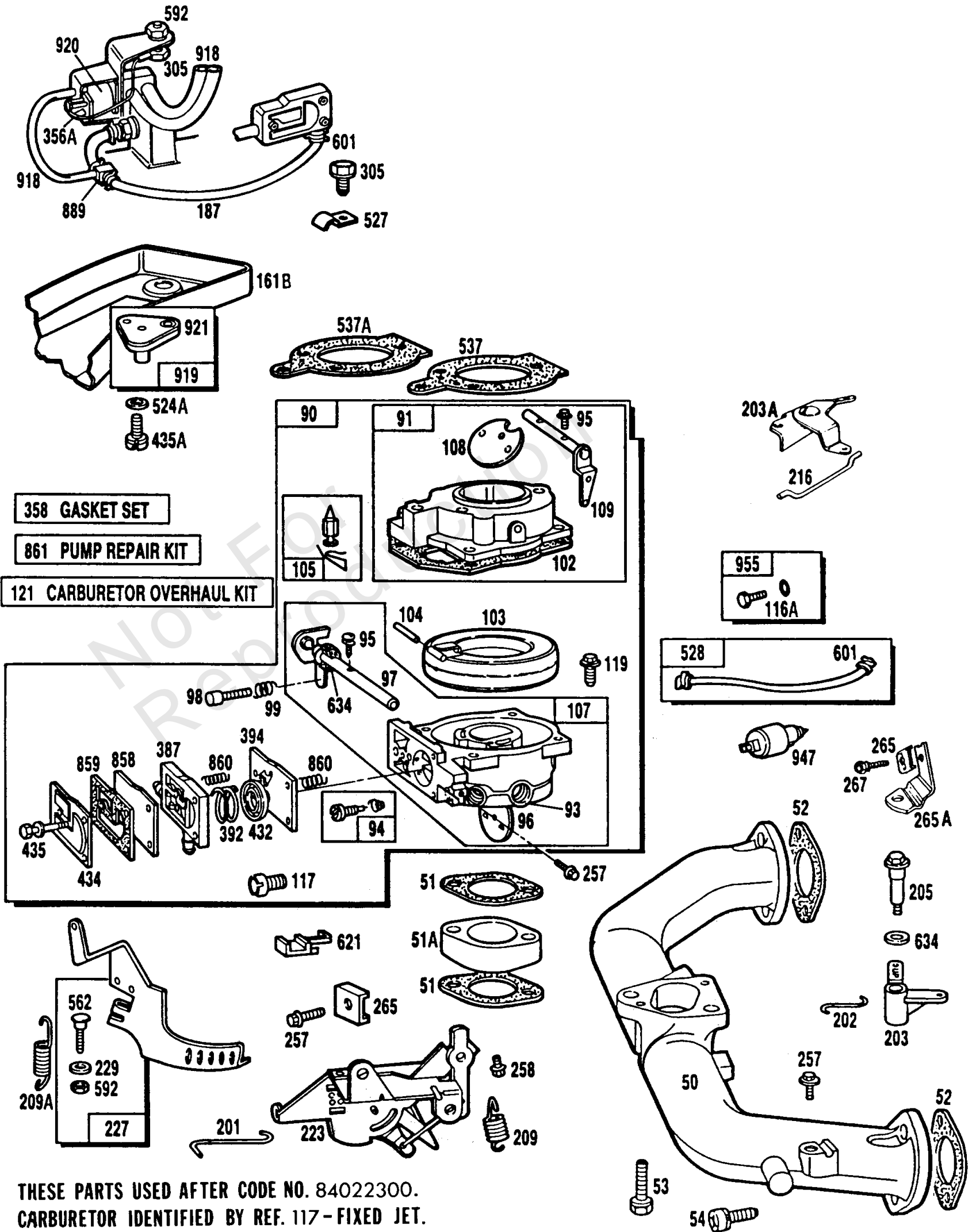


Carburetor Assembly,Manifold

REF NO	PART NO	QTY	DESCRIPTION
205	93971		SCREW
209A	261563		SPRING, Governor -(Idle)
209	261446		SPRING, Governor -Used Before Code Date 82011700
209	261720		SPRING, Governor
216	223841		LINK
223	394538		BRACKET, Control
227	393351		LEVER, Governor Control -Used Before Code Date 80092512
229	222289		WASHER
257	93897		SCREW
258	93158		SCREW -(1/4-20 X 5/8)
265A	223893		BRACKET, Throttle Cable
267	93496		SCREW -(10-32 X 5/8)
305	93158		SCREW -(1/4-20 X 5/8)
356A	394824		STRAP, Ground
358	394501		GASKET SET, Engine
387	280197		BODY, Fuel Pump
392	261395		SPRING, Pump Diaphragm -Included in Carburetor Overhaul Kit-Part No. 394502 and Pump Repair Kit-Part No. 393397
394	270988		DIAPHRAGM, Carburetor -Included in Carburetor Overhaul Kit-Part No. 394502 and Pump Repair Kit-Part No. 393397
432	221377		CAP, Spring -Included in Carburetor Overhaul Kit-Part No. 394502 and Pump Repair Kit-Part No. 393397
434	222615		COVER, Diaphragm
435A	93955		SCREW
435	93829		SCREW
524	271157		SEAL, O-Ring
527	223167		CLAMP, Tube
528	393815		HOSE, Vacuum -(Cylinder To Impulse Pump)(Cut To Required Length)
537A	271423		GASKET, Air Cleaner -(Anti-After Fire System Only)
537	271411		GASKET, Air Cleaner -Included in Gasket Set-Part No. 394501. Included in Carburetor Overhaul Kit-Part No. 394502
562	93853		BOLT -(Governor Lever)
592	92278		NUT -(Starting Switch)
601	93053		CLAMP, Hose -(Green)
621	297472		SWITCH, Stop -Used Before Code Date 85032800
621	396847		SWITCH, Stop -Used After Code Date 85032700
634	271013		WASHER, Sealing -(Foam) Included in Carburetor Overhaul Kit-Part No. 394502

Footnotes:

Included in Carburetor Overhaul Kit-Part No. 394502



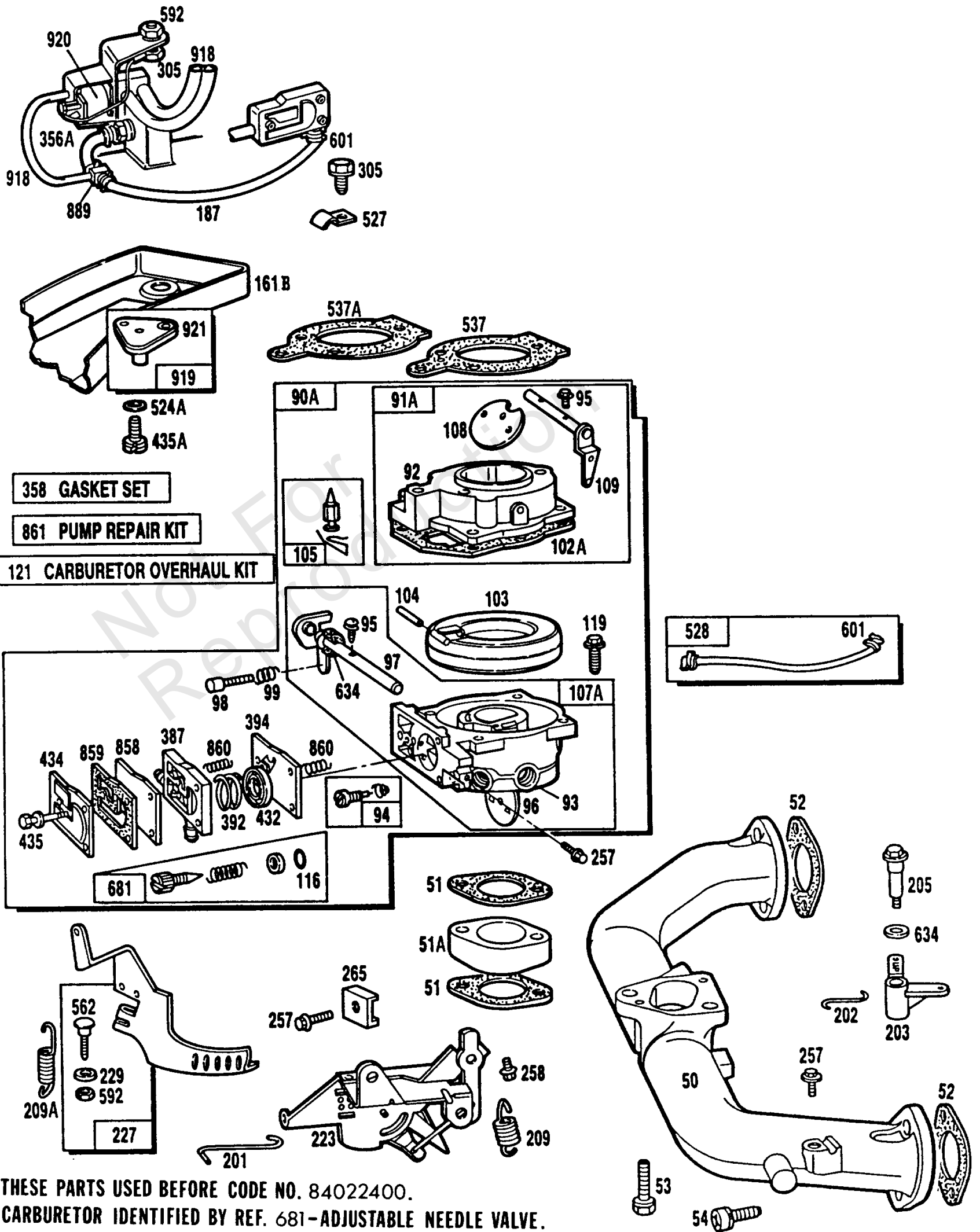
Carburetor Assembly,Manifold

REF NO	PART NO	QTY	DESCRIPTION
858	270989		DIAPHRAGM, Carburetor -Included in Carburetor Overhaul Kit-Part No. 394502 and Pump Repair Kit-Part No. 393397
859	271025		GASKET, Carburetor Pump -Included in Carburetor Overhaul Kit-Part No. 394502 and Pump Repair Kit-Part No. 393397
860	261358		SPRING, Valve -Included in Carburetor Overhaul Kit-Part No. 394502 and Pump Repair Kit-Part No. 393397
861	393397		KIT, Fuel Pump -(Used On 3 Screw Fuel Pump Mount Carburetors)
889	231260		TEE
918	280346		HOSE, Vacuum -(Cut To Required Length)
919	395379		CONNECTOR, Vacuum Tube
920	394570		SOLENOID, Fuel
921	271421		SEAL, O-Ring
947	397266		SOLENOID, Fuel
955	397882		PLUG, Carburetor -(Solenoid Hole)

Not For
Reproduction

Footnotes:

Included in Carburetor Overhaul Kit-Part No. 394502



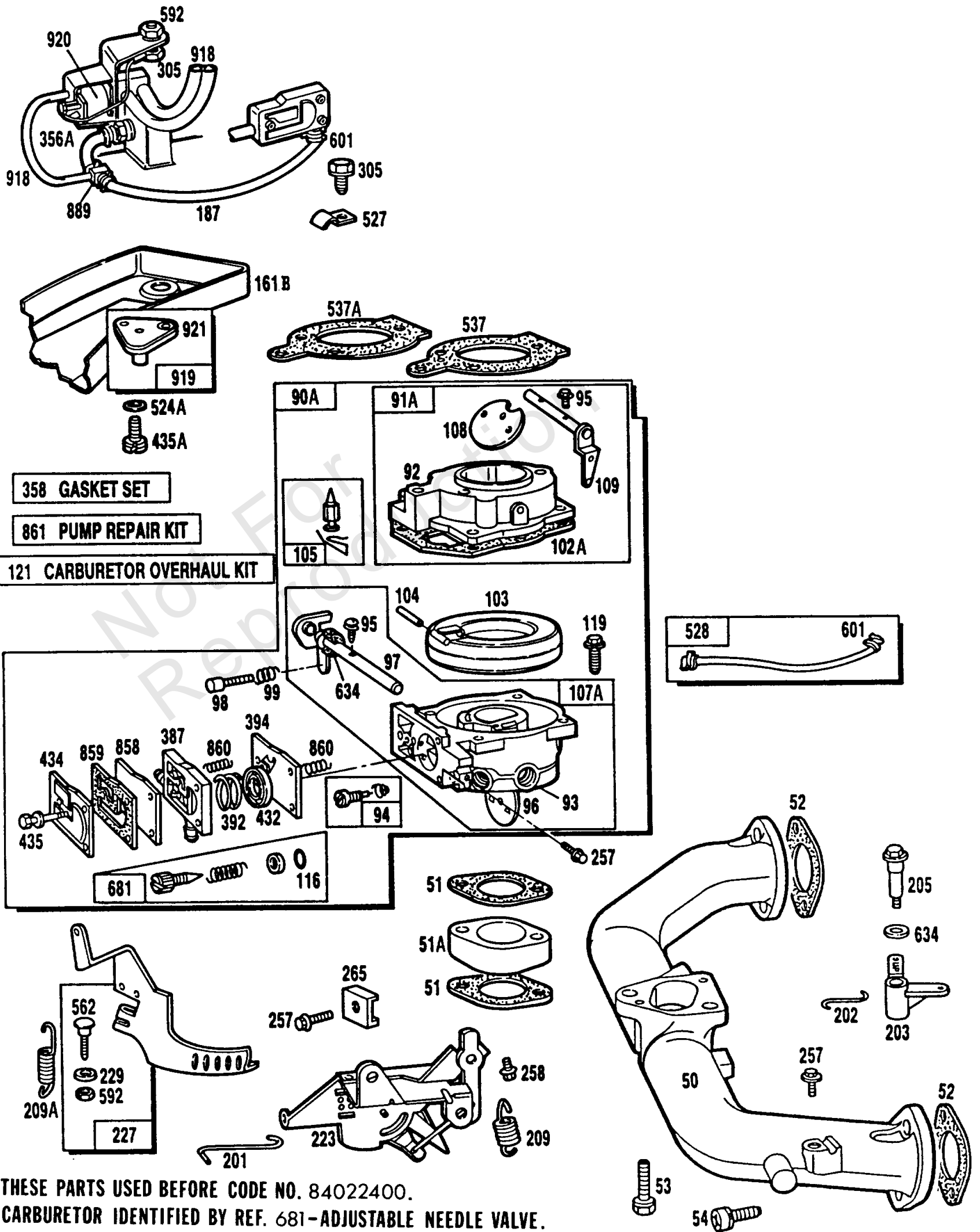
THESE PARTS USED BEFORE CODE NO. 84022400.
CARBURETOR IDENTIFIED BY REF. 681-ADJUSTABLE NEEDLE VALVE.

Carburetor Assembly,Manifold

REF NO	PART NO	QTY	DESCRIPTION
50	212965		MANIFOLD, Intake
51A	280319		SPACER, Carburetor
51	271412		GASKET, Intake -Included in Carburetor Overhaul Kit-Part No. 394502. Included in Gasket Set- Part No. 394501
52	270884		GASKET, Intake -Included in Gasket Set-Part No. 394501
53	93970		SCREW
54	93208		SCREW -(Intake Manifold)
90A	392806		CARBURETOR -(Remote Choke) -Used Before Code Date 79091812
91A	393297		BODY, Upper Carburetor -Used Before Code Date 84022400
92	394505		BODY, Upper Carburetor
93	231209		BUSHING, Throttle Shaft
94	292681		VALVE, Idle Mixture -Included in Carburetor Overhaul Kit-Part No. 394502
95	93499		SCREW -(Throttle Valve)
96	221939		VALVE, Throttle
97	392672		SHAFT, Throttle
98	91920		SCREW -(8-32 X 5/8)
99	26157		SPRING, Compression
102A	271008		GASKET, Carburetor Body -Used Before Code Date 84022400
103	298514		FLOAT, Carburetor
104	230896		PIN, Float Hinge -Included in Carburetor Overhaul Kit-Part No. 394502
105	394681		KIT, Needle/Seat -(Gravity Feed) Included in Carburetor Overhaul Kit-Part No. 394502
107A	393286		BODY, Lower Carburetor -Used Before Code Date 79091812
108	222010		VALVE, Choke -Used Before Code Date 85082600
108	223534		VALVE, Choke -Used After Code Date 85082500
109	392673		SHAFT, Choke
116	65978		SEAL, O-Ring -(Needle Valve) Included in Carburetor Overhaul Kit-Part No. 394502
119	94152		SCREW -(Upper To Lower Carburetor Body)
121	394502		KIT, Carburetor Overhaul
161B	223251		BASE, Air Cleaner
187	299146		LINE, Fuel -(Cut To Required Length)
201	261586		LINK, Choke
202	261587		LINK, Throttle
203	280320		CRANK, Bell
205	93971		SCREW
209A	261563		SPRING, Governor -(Idle)

Footnotes:

Included in Carburetor Overhaul Kit-Part No. 394502

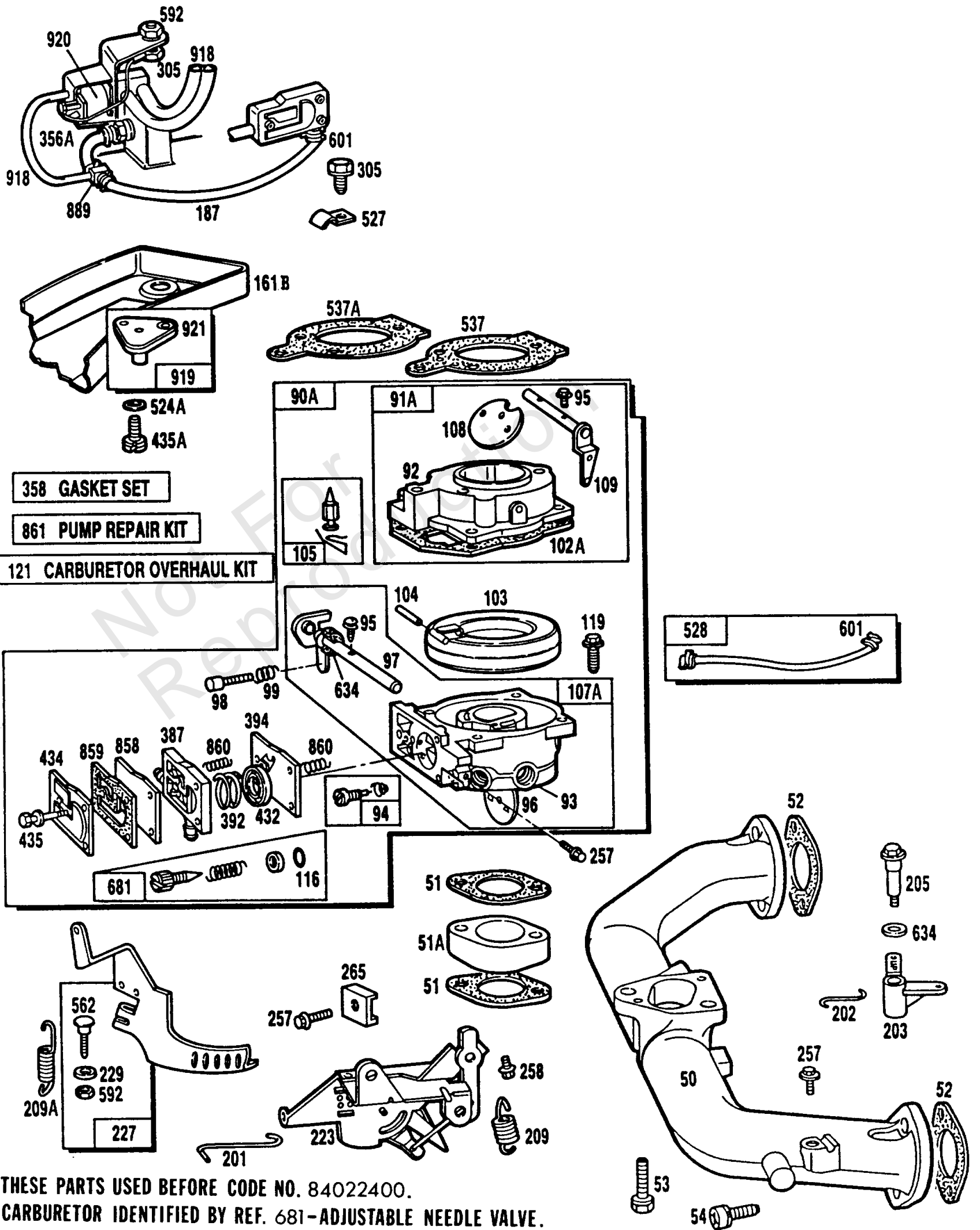


Carburetor Assembly,Manifold

REF NO	PART NO	QTY	DESCRIPTION
209	261446		SPRING, Governor -Used Before Code Date 82011700
209	261720		SPRING, Governor
223	394538		BRACKET, Control
227	393351		LEVER, Governor Control -Used Before Code Date 80092512
229	222289		WASHER
257	93897		SCREW
258	93158		SCREW -(1/4-20 X 5/8)
305	93158		SCREW -(1/4-20 X 5/8)
356A	394824		STRAP, Ground
358	394501		GASKET SET, Engine
387	280197		BODY, Fuel Pump
392	261395		SPRING, Pump Diaphragm -Included in Carburetor Overhaul Kit-Part No. 394502 and Pump Repair Kit-Part No. 393397
394	270988		DIAPHRAGM, Carburetor -Included in Carburetor Overhaul Kit-Part No. 394502 and Pump Repair Kit-Part No. 393397
432	221377		CAP, Spring -Included in Carburetor Overhaul Kit-Part No. 394502 and Pump Repair Kit-Part No. 393397
434	222615		COVER, Diaphragm
435A	93955		SCREW
435	93829		SCREW
524A	280341		SEAL, O-Ring
527	223167		CLAMP, Tube
528	393815		HOSE, Vacuum -(Cylinder To Impulse Pump)(Cut To Required Length)
537A	271423		GASKET, Air Cleaner -(Anti-After Fire System Only)
537	271411		GASKET, Air Cleaner -Included in Gasket Set-Part No. 394501. Included in Carburetor Overhaul Kit-Part No. 394502
562	93853		BOLT -(Governor Lever)
592	92278		NUT -(Starting Switch)
601	93053		CLAMP, Hose -(Green)
634	271013		WASHER, Sealing -(Foam) Included in Carburetor Overhaul Kit-Part No. 394502
681	393298		KIT, Needle Valve -Used Before Code Date 79030112
858	270989		DIAPHRAGM, Carburetor -Included in Carburetor Overhaul Kit-Part No. 394502 and Pump Repair Kit-Part No. 393397
859	271025		GASKET, Carburetor Pump -Included in Carburetor Overhaul Kit-Part No. 394502 and Pump Repair Kit-Part No. 393397
860	261358		SPRING, Valve -Included in Carburetor Overhaul Kit-Part No. 394502 and Pump Repair Kit-Part No. 393397
861	393397		KIT, Fuel Pump -(Used On 3 Screw Fuel Pump Mount Carburetors)

Footnotes:

Included in Carburetor Overhaul Kit-Part No. 394502



THESE PARTS USED BEFORE CODE NO. 84022400.
 CARBURETOR IDENTIFIED BY REF. 681-ADJUSTABLE NEEDLE VALVE.

Carburetor Assembly,Manifold

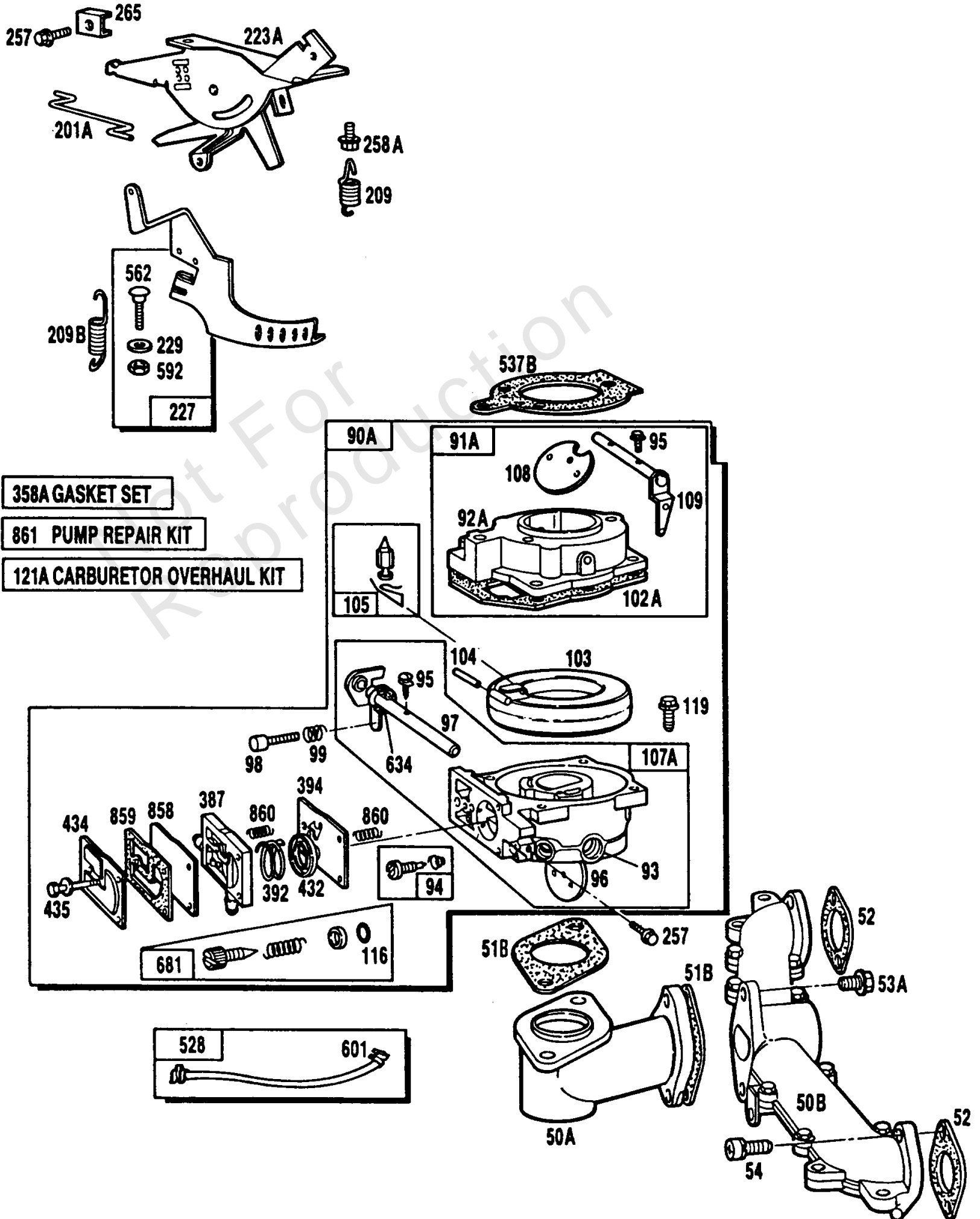
REF NO	PART NO	QTY	DESCRIPTION
889	231260		TEE
918	280346		HOSE, Vacuum -(Cut To Required Length)
919	395379		CONNECTOR, Vacuum Tube
920	394570		SOLENOID, Fuel
921	271421		SEAL, O-Ring

Not For
Reproduction

Footnotes:

Included in Carburetor Overhaul Kit-Part No. 394502

THESE PARTS USED BEFORE CODE NO.
80092612 MODEL 4017.



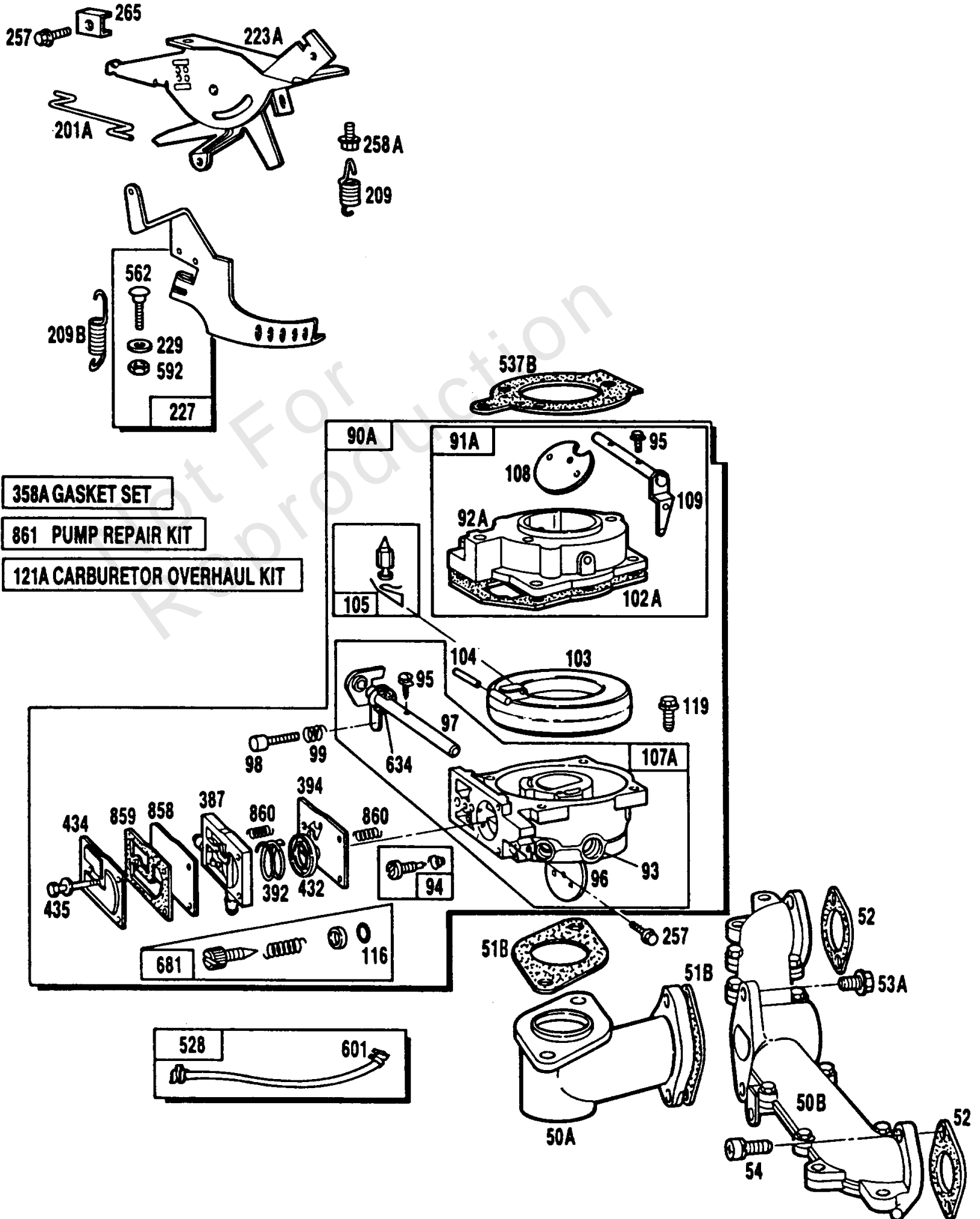
Carburetor Assembly,Manifold

REF NO	PART NO	QTY	DESCRIPTION
50A	394598		MANIFOLD, Intake
50B	393349		MANIFOLD, Intake -(Aluminum)
51B	271015		GASKET, Intake -Included in Gasket Set-Part No. 394501
52	270884		GASKET, Intake -Included in Gasket Set-Part No. 394501
53A	93415		SCREW -(1/4-20 X 3/4)
54	93208		SCREW -(Intake Manifold)
90A	392806		CARBURETOR -(Remote Choke) -Used Before Code Date 79091812
91A	393297		BODY, Upper Carburetor -Used Before Code Date 84022400
92A	393293		BODY, Upper Carburetor
93	231209		BUSHING, Throttle Shaft
94	292681		VALVE, Idle Mixture -Included in Carburetor Overhaul Kit-Part No. 394502
95	93499		SCREW -(Throttle Valve)
96	221939		VALVE, Throttle
97	392672		SHAFT, Throttle
98	91920		SCREW -(8-32 X 5/8)
99	26157		SPRING, Compression
102A	271008		GASKET, Carburetor Body -Used Before Code Date 84022400
103	298514		FLOAT, Carburetor
104	230896		PIN, Float Hinge -Included in Carburetor Overhaul Kit-Part No. 394502
105	394681		KIT, Needle/Seat -(Gravity Feed) Included in Carburetor Overhaul Kit-Part No. 394502
107A	393286		BODY, Lower Carburetor -Used Before Code Date 79091812
108	222010		VALVE, Choke -Used Before Code Date 85082600
108	223534		VALVE, Choke -Used After Code Date 85082500
109	392673		SHAFT, Choke
116	65978		SEAL, O-Ring -(Needle Valve) Included in Carburetor Overhaul Kit-Part No. 394502
119	94152		SCREW -(Upper To Lower Carburetor Body)
121A	393301		KIT, Carburetor Overhaul -Used Before Code Date 79031900
121A	394034		KIT, Carburetor Overhaul
201A	261479		LINK, Choke
209B	261487		SPRING, Governor -(Idle)
209	261446		SPRING, Governor -Used Before Code Date 82011700
209	261720		SPRING, Governor
223A	393353		BRACKET, Governor Control

Footnotes:

Included in Carburetor Overhaul Kit-Part No. 394502

THESE PARTS USED BEFORE CODE NO.
80092612 MODEL 4017.

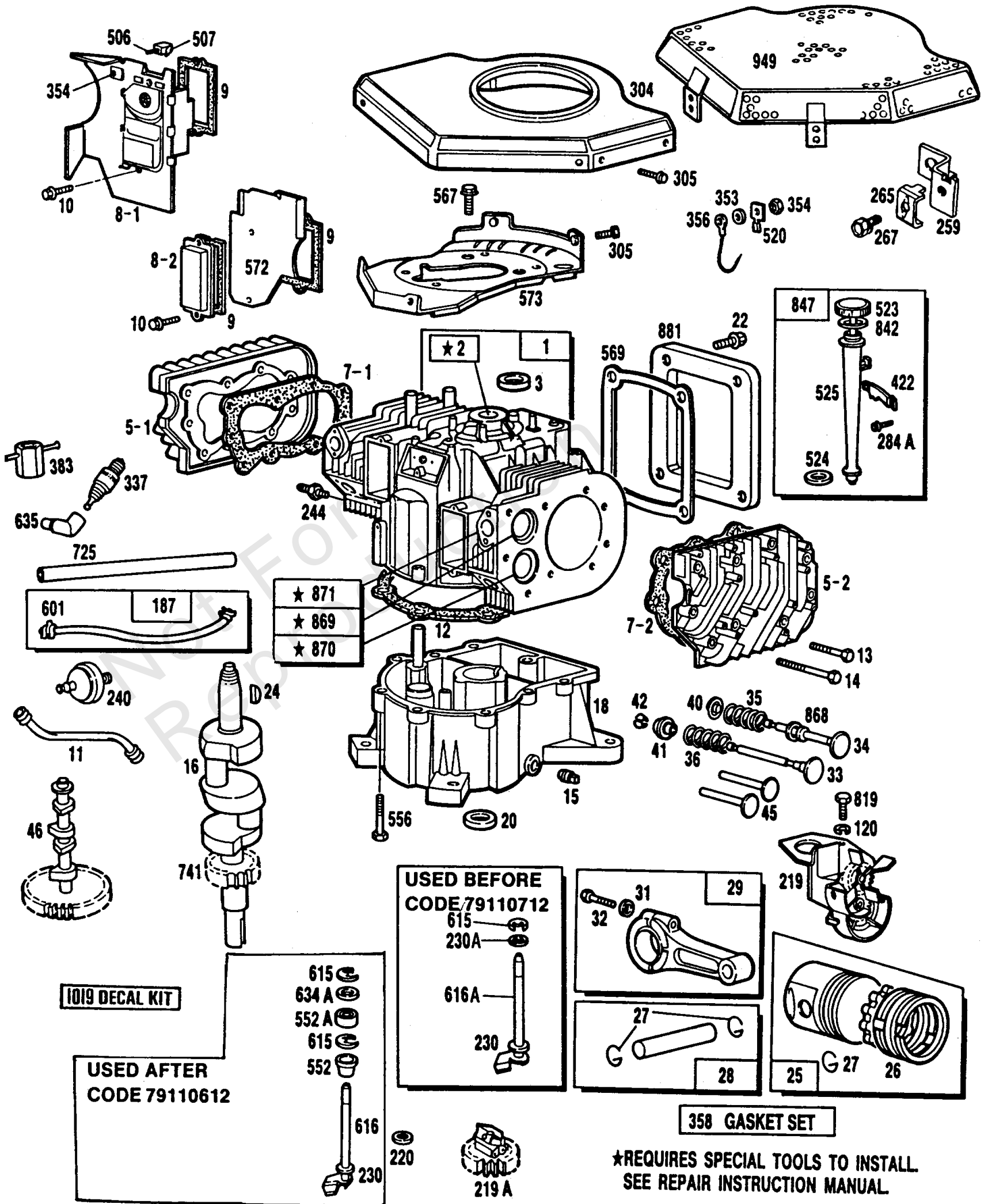


Carburetor Assembly,Manifold

REF NO	PART NO	QTY	DESCRIPTION
227	393351		LEVER, Governor Control -Used Before Code Date 80092512
229	222289		WASHER
257	93897		SCREW
258A	93163		SCREW
258A	93868		SCREW -(Aluminum Manifold)
358A	393278		GASKET SET, Engine
387	280197		BODY, Fuel Pump
392	261395		SPRING, Pump Diaphragm -Included in Carburetor Overhaul Kit-Part No. 394502 and Pump Repair Kit-Part No. 393397
394	270988		DIAPHRAGM, Carburetor -Included in Carburetor Overhaul Kit-Part No. 394502 and Pump Repair Kit-Part No. 393397
432	221377		CAP, Spring -Included in Carburetor Overhaul Kit-Part No. 394502 and Pump Repair Kit-Part No. 393397
434	222615		COVER, Diaphragm
435	93829		SCREW
528	393815		HOSE, Vacuum -(Cylinder To Impulse Pump)(Cut To Required Length)
537B	271014		GASKET, Air Cleaner -(Air Cleaner)
562	93853		BOLT -(Governor Lever)
592	92278		NUT -(Starting Switch)
601	93053		CLAMP, Hose -(Green)
634	271013		WASHER, Sealing -(Foam) Included in Carburetor Overhaul Kit-Part No. 394502
681	393298		KIT, Needle Valve -Used Before Code Date 79030112
858	270989		DIAPHRAGM, Carburetor -Included in Carburetor Overhaul Kit-Part No. 394502 and Pump Repair Kit-Part No. 393397
859	271025		GASKET, Carburetor Pump -Included in Carburetor Overhaul Kit-Part No. 394502 and Pump Repair Kit-Part No. 393397
860	261358		SPRING, Valve -Included in Carburetor Overhaul Kit-Part No. 394502 and Pump Repair Kit-Part No. 393397
861	393397		KIT, Fuel Pump -(Used On 3 Screw Fuel Pump Mount Carburetors)

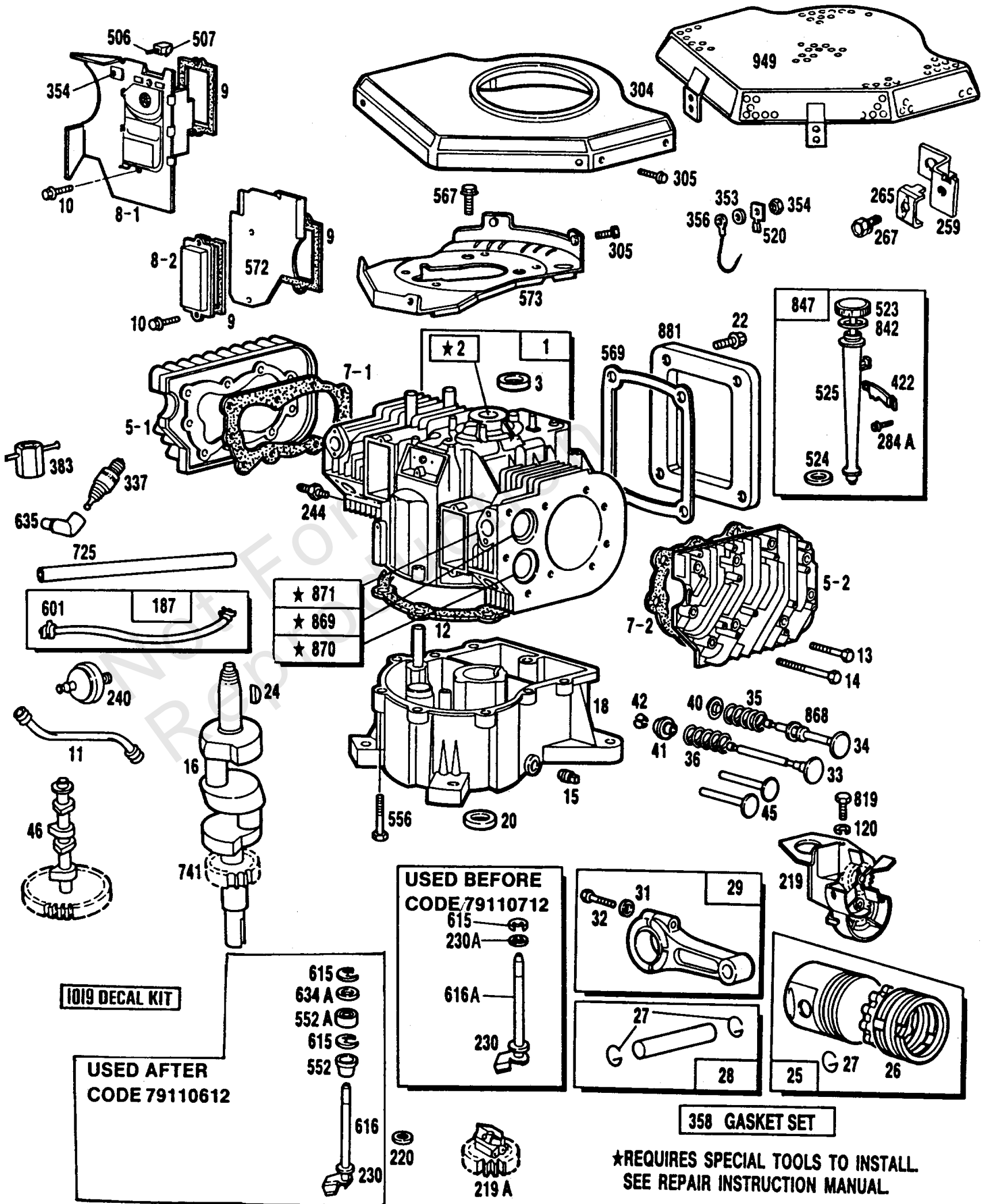
Footnotes:

Included in Carburetor Overhaul Kit-Part No. 394502



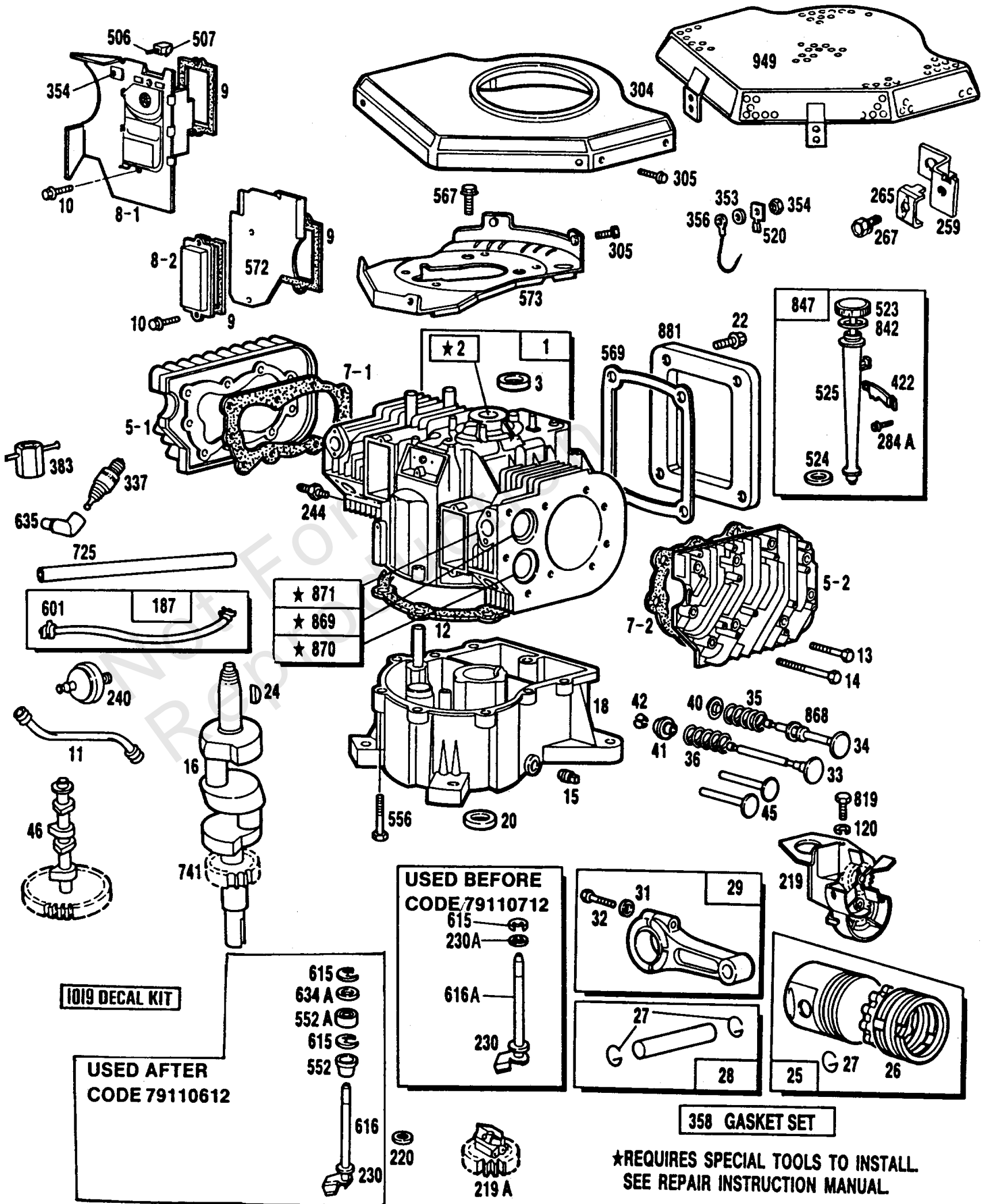
Cylinder, Cylinder Heads, Sump

REF NO	PART NO	QTY	DESCRIPTION
1	394577		CYLINDER ASSEMBLY
1	394941		CYLINDER ASSEMBLY -(Kool-Bore) Cylinders listed below are Used on Type Nos. before 0500
3	391086		SEAL, Oil -(Magneto Side)
5-1	212179		HEAD, Cylinder -Used Before Code Date 79091712
5-2	212180		HEAD, Cylinder -Used Before Code Date 79091712
7-1	270984		GASKET, Cylinder Head -(Cylinder 1)
7-2	270983		GASKET, Cylinder Head -(Cylinder 2)
8-1	393370		BREATHER ASSEMBLY -(Cylinder 1)
8-2	222892		COVER, Valve -(Cylinder 2)
9	27803		GASKET, Rocker Cover -Included in Gasket Set-Part No. 394501
10	93394		SCREW
11	280225		TUBE, Breather
12	271142		GASKET, Crankcase -(1/64) Included in Gasket Set-Part No. 394501
12	271188		GASKET, Crankcase -(.005) Included in Gasket Set-Part No. 394501
12	271189		GASKET, Crankcase -(.009) Included in Gasket Set-Part No. 394501
13	93111		SCREW -(15/16)
13	93772		STUD -(15/16)
14	93113		SCREW -(2 5/16) (2-5/16)
14	93583		STUD -(Cylinder Head)
15	91084		PLUG, Oil Drain -(3/8)
16	393382		CRANKSHAFT -Order Part 94196 Key or 231160 Pin for Timing Gear Retaining Device.
18	393552		SUMP, Engine
20	291675		SEAL, Oil -(Crankcase Cover)
22	93882		SCREW
24	222698		KEY, Flywheel
24	61760		KEY, Flywheel -(Breaker Ignition)
25	393271		PISTON ASSEMBLY -(Standard)
25	393343		PISTON ASSEMBLY -(.010 Oversize)
25	393344		PISTON ASSEMBLY -(.020 Oversize)
25	393345		PISTON ASSEMBLY -(.030 Oversize)
26	393277		SET, Ring -(Standard)
26	393340		SET, Ring -(.010 Oversize)
26	393341		SET, Ring -(.020 Oversize)



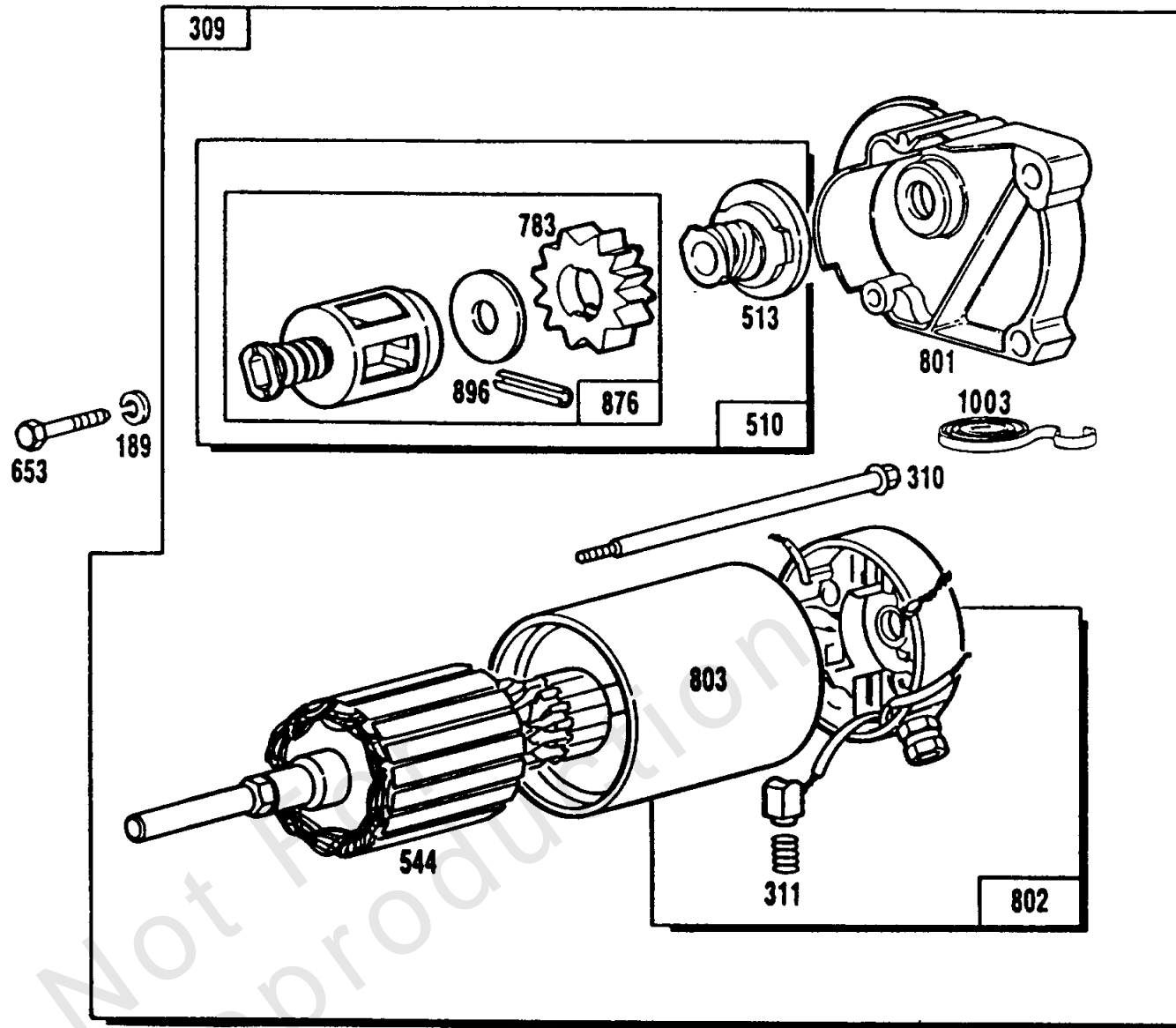
Cylinder, Cylinder Heads, Sump

REF NO	PART NO	QTY	DESCRIPTION
26	393342		SET, Ring -(.030 Oversize)
27	260924		LOCK, Piston Pin
28	299691		PIN, Piston -(Standard)
28	391286		PIN, Piston -(.005 Oversize)
29	393270		ROD, Connecting -For Connecting Rod with .020 undersize Crankpin Bore-Order No. 393714
31	220863		WASHER -(1/4 X 5/8 X 1/32) (1/4 X 5/8 X 1/32)
32	92909		SCREW
33	390420		VALVE, Exhaust -(Includes Retainer(s))
34	261055		VALVE, Intake -Used Before Code Date 80092612
35	65906		SPRING, Valve -(Intake)
36	26828		SPRING, Valve -(Exhaust)
40	221596		RETAINER, Valve -(Valves With Groove In Stem)
41	292260		RETAINER, Valve -(Exhaust Valve) (Exhaust)
42	93630		KEEPER, Valve -(2)
45	261368		TAPPET, Valve
46	212173		CAMSHAFT -Used Before Code Date 79091712
120	92290		WASHER
187	299146		LINE, Fuel -(Cut To Required Length)
219A	393273		GEAR, Governor -Used Before Code Date 80092612
219	393415		GEAR, Governor
220	222773		WASHER, Thrust
230A	93852		WASHER -Used Before Code Date 79110712
230	220863		WASHER -(1/4 X 5/8 X 1/32) (1/4 X 5/8 X 1/32)
240	394358		FILTER, Fuel -(Fuel Pump)
244	230318		CONNECTOR, Hose
259	223890		BRACKET, Choke Control
267	93496		SCREW -(10-32 X 5/8)
284A	93893		SCREW
304	393287		HOUSING, Blower
305	93158		SCREW -(1/4-20 X 5/8)
337	394539		PLUG, Spark -(Resistor)
353	92791		WASHER
354	90576		NUT -(Ground Terminal)
356	391115		WIRE, Stop
358	394501		GASKET SET, Engine
383	89838		WRENCH, Spark Plug



Cylinder, Cylinder Heads, Sump

REF NO	PART NO	QTY	DESCRIPTION
422	222875		BRACKET, Oil Fill
506	231174		TERMINAL, Ground
507	280180		INSULATOR
520	93722		TERMINAL, Ground
523	393392		DIPSTICK
524	271157		SEAL, O-Ring
525	280224		TUBE, Dipstick
552A	261560		BUSHING, Governor Crank -(Upper)
552	261559		BUSHING, Governor Crank -(Lower)
556	93585		SCREW -(Crankcase Cover)
567	93777		SCREW
569	270981		GASKET, Crankcase -Included in Gasket Set-Part No. 394501
572	222912		COVER, Valve Chamber -(Cylinder 2)
601	93053		CLAMP, Hose -(Green)
615	93851		RETAINER, E Ring
616A	393309		CRANK, Governor
616	394349		CRANK, Governor
634A	271316		SEAL, Governor Shaft -(Foam)
635	66538		BOOT, Spark Plug
725	280623		LINE, Fuel
741	231321		GEAR, Timing -(Pin)
741	262221		GEAR, Timing -(Key)
819	93686		SCREW -(10-32 X 5/8)
842	271170		SEAL, O-Ring -(Dipstick Tube)
847	394394		DIPSTICK/TUBE ASSEMBLY
868	393606		SEAL, Valve
869	211661		SEAT, Valve -Used Before Code Date 80092612
870	210940		SEAT, Valve -(Exhaust) (Standard)
871	231218		BUSHING, Valve Guide -(Intake)
871	261961		BUSHING, Valve Guide -(Exhaust)
949	393330		GUARD, Debris Screen
1019	491261		KIT, Label



Subject		Ref. No. 309	Ref. No. 310	Ref. No. 311	Ref. No. 801	Ref. No. 802	Ref. No. 803	Ref. No. 544	Ref. No. 1003
Starter Motor Mfr.		Motor and Drive Assy.	Thru Bolt	Brush Assembly	End Cap Assy. Drive	End Cap Assy. Commutator	Housing Assembly	Armature Assembly	Brush Spring
Briggs & Stratton	Housing Length								
†12V	3"	393017	93887	391705	393009	394674	**	390837	—
12V	3-5/8"	394808	94003	395538	394860	395537	393825	390837	—
12V	4-1/2"	399928	94169	490311	394860	490310	399172	490309	490316

Subject	Ref. No. 513	Ref. No. 783	Ref. No. 876	Ref. No. 896	Ref. No. 510
Starter Motor Mfr.	Clutch Assembly	Gear	Pinion Spring Kit	Roll Pin	Starter Drive Drive Group
Briggs & Stratton					
12V	391135	280104	393254	93754	396865

NOTE: Style Identification of 12 volt motors.

NEW STYLE: Thru bolt heads are located on the drive end head.

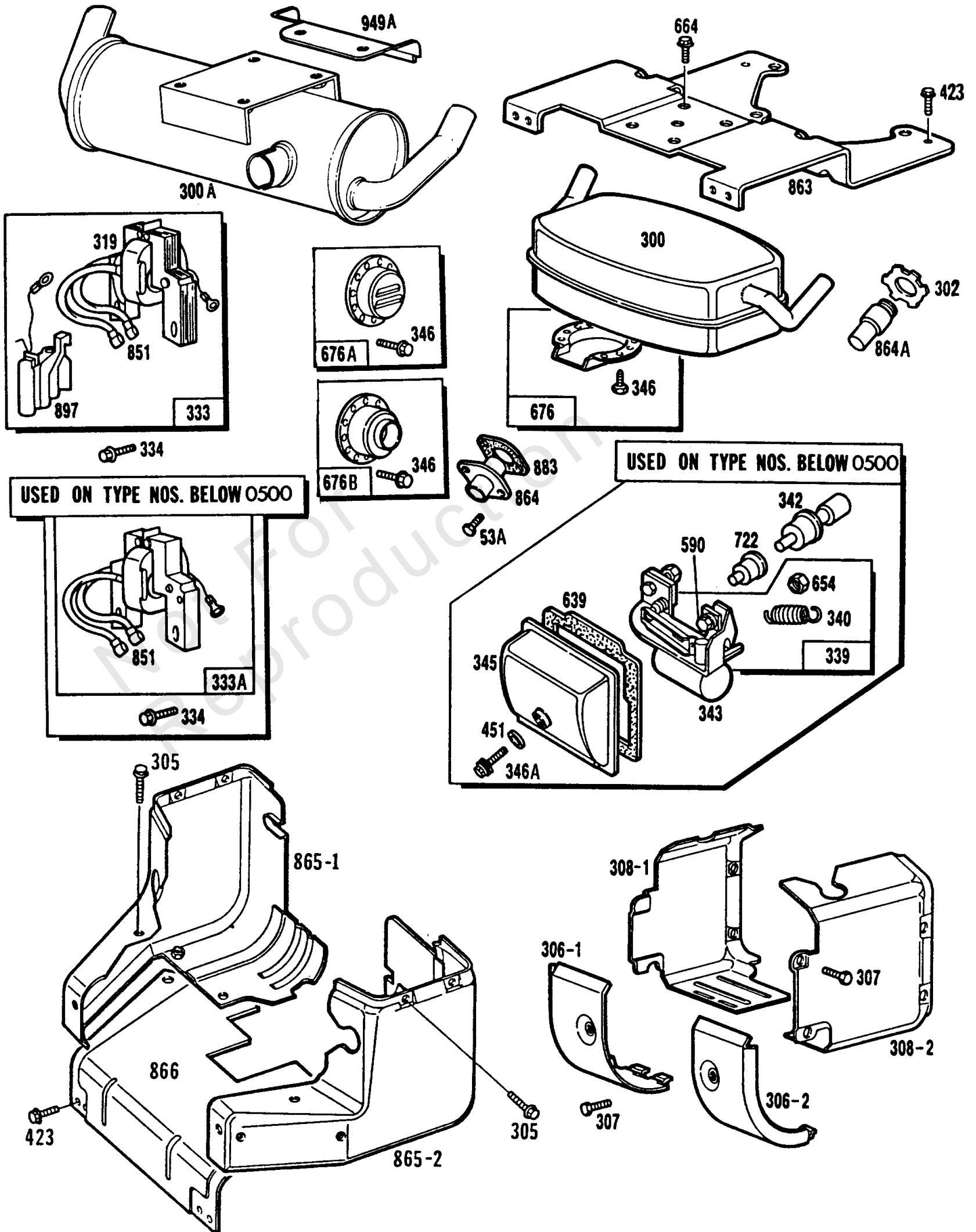
†OLD STYLE: Brush end head is 13/16" wide.

††See Test — Ref. 309 for Specials.

**Part not available. Use 394808 Motor Drive Assembly.

Electric Starter and Chart

REF NO	PART NO	QTY	DESCRIPTION
189	90366		WASHER
309	393017		MOTOR, Starter -(3 Housing) (Briggs & Stratton 12V) OLD STYLE: Brush end head is 13/16 wide
309	394808		MOTOR, Starter -(3 5/8 Housing)
309	399928		MOTOR, Starter -(4 1/2 Housing)
310	93887		SCREW -(3 Housing) (Briggs & Stratton 12V) OLD STYLE: Brush end head is 13/16 wide
310	94003		SCREW -(3 5/8 Housing)
310	94169		SCREW -(4 1/2 Housing)
311	391705		SET, Brush -(3 1/16 Housing) OLD STYLE: Brush end head is 13/16 wide
311	395538		SET, Brush -(3-5/8 or 4 3/8 Housing)
311	490311		SET, Brush -(4 9/16 Housing)
510	396865		DRIVE, Starter -(3 21/32 Housing)
513	391135		CLUTCH, Starter
544	390837		ARMATURE, Starter -(3 5/8 Housing) OLD STYLE: Brush end head is 13/16 wide
544	390837		ARMATURE, Starter -(3 5/8 Housing)
544	490309		ARMATURE, Starter -(4 9/16 or 4 3/8 Housing)
653	91162		SCREW -(5/16-18 X 1-1/2)
783	280104		GEAR, Pinion -(Briggs & Stratton 12V)
801	393009		CAP, Drive -(3 Housing) (Briggs & Stratton 12V) OLD STYLE: Brush end head is 13/16 wide
801	394860		CAP, End -(3-5/8 or 4 1/2 Housing)
802	394674		CAP, End -(3 Housing) (Briggs & Stratton 12V) OLD STYLE: Brush end head is 13/16 wide
802	395537		CAP, End -(3 5/8 Housing)
802	490310		HOUSING, Brush End -(4 1/2 or 4 9/16 Housing)
803	-----		No Nomenclature -OLD STYLE: Brush end head is 13/16" wide
803	393825		HOUSING, Starter -(3 5/8 Housing)
803	399172		HOUSING, Starter -(4 1/2 or 4 9/16 Housing)
876	393254		DRIVE, Starter -(Briggs & Stratton 12V)
896	93754		PIN, Drive Retainer -(Briggs & Stratton 12V)
1003	490316		SPRING, Brush -(4 1/2 or 4 9/16 Housing)



Mufflers, Shielding, Elect

REF NO	PART NO	QTY	DESCRIPTION
53A	93415		SCREW -(1/4-20 X 3/4)
300A	490973		MUFFLER
302	261409		LOCKNUT -(Muffler and Elbow)
305	93158		SCREW -(1/4-20 X 5/8)
306-1	222846		SHIELD, Cylinder
306-2	222847		SHIELD, Cylinder -Use on Engines with 3-5/8 or Shorter Starter Motor
307	93163		SCREW
308-1	222848		COVER, Air Guide
308-2	222849		COVER, Air Guide
319	394988		ARMATURE, Magneto
333A	392329		ARMATURE, Magneto
333	394891		ARMATURE, Magneto -(Magnetron Ignition)
334	93381		SCREW
339	393403		BREAKER, Ignition -For Conversion to MAGNETRON Ignition Order Part No. 394891
340	26018		SPRING, Breaker Arm
342	393598		PLUNGER, Breaker
343	392912		CONDENSER
345	212259		COVER, Breaker
346A	93854		SCREW
346	93705		SCREW -(8-32 X 3/8)
423	93876		SCREW
451	271037		WASHER -(Breaker)
590	93171		SCREW
639	271039		GASKET, Breather -Included in Gasket Set-Part No. 394501
654	230783		NUT
664	93343		SCREW -(Control Panel)
676B	396903		DEFLECTOR, Muffler
676A	222902		DEFLECTOR, Muffler
676	393761		DEFLECTOR, Muffler -(Side Outlet)
722	280222		SEAL, Plunger
851	221798		TERMINAL, Spark Plug
863	222865		BRACKET, Muffler
864A	231162		ADAPTER, Muffler
864	393483		LINER, Port
865-2	393289		COVER, Air Guide -(Cylinder 2)
865-1	393288		COVER, Air Guide -(Cylinder 1)
866	393285		COVER, Air Guide
883	271174		GASKET, Exhaust
897	394970		KIT, Magnetron Ignition
949A	223935		GUARD, Debris Screen

Replacement Engine - US & Canada

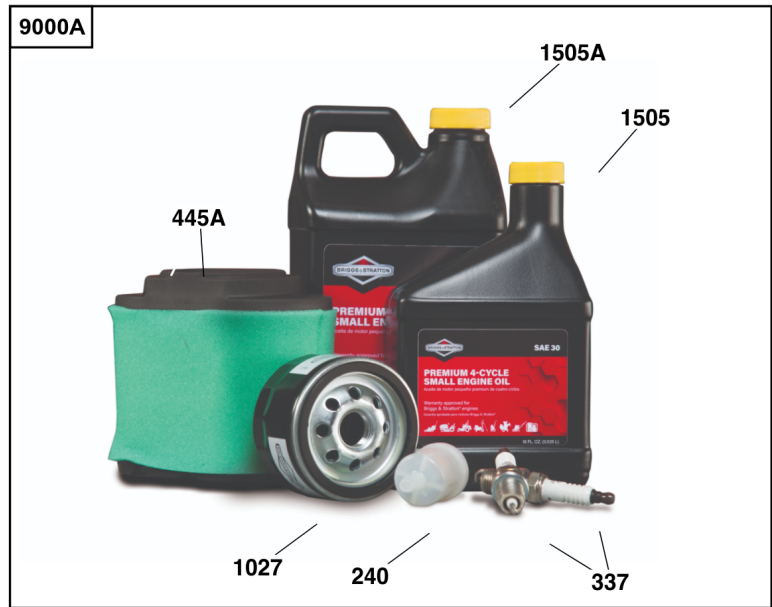
REF NO	PART NO	QTY	DESCRIPTION
-----			No engine replacement. Repair engine with individual parts.
-----			Top No-Load Speed: 3600 -Trim: 01
-----			Top No-Load Speed: 3600 -Trim: 02
-----			Top No-Load Speed: 3600 -Trim: 03
-----			Top No-Load Speed: 3300 -Trim: 04
-----			Top No-Load Speed: 3600 -Trim: 05
-----			Top No-Load Speed: 3600 -Trim: 06

Not For Reproduction



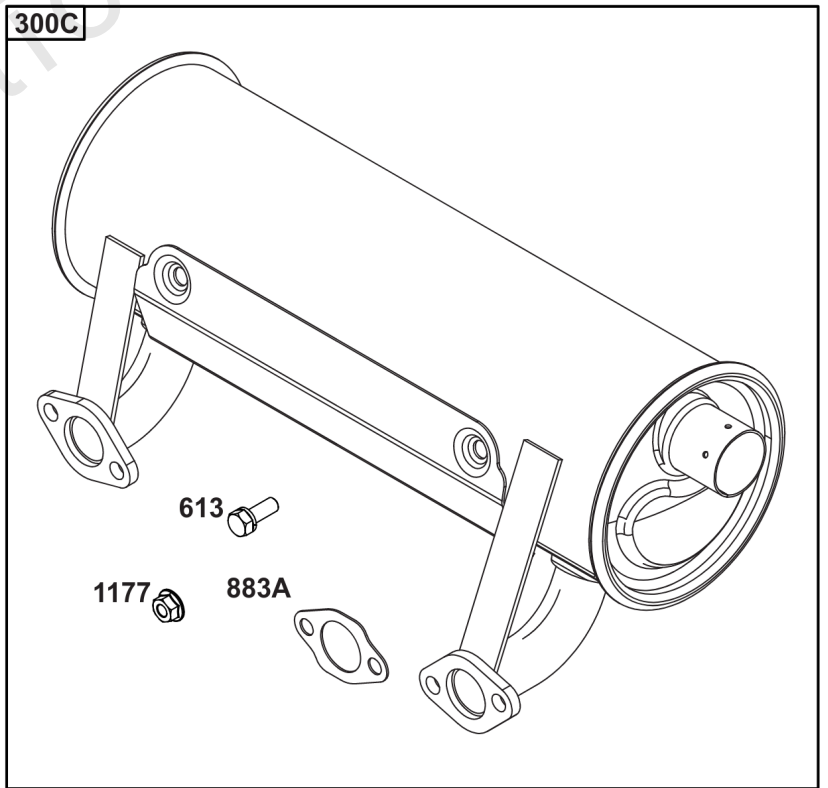
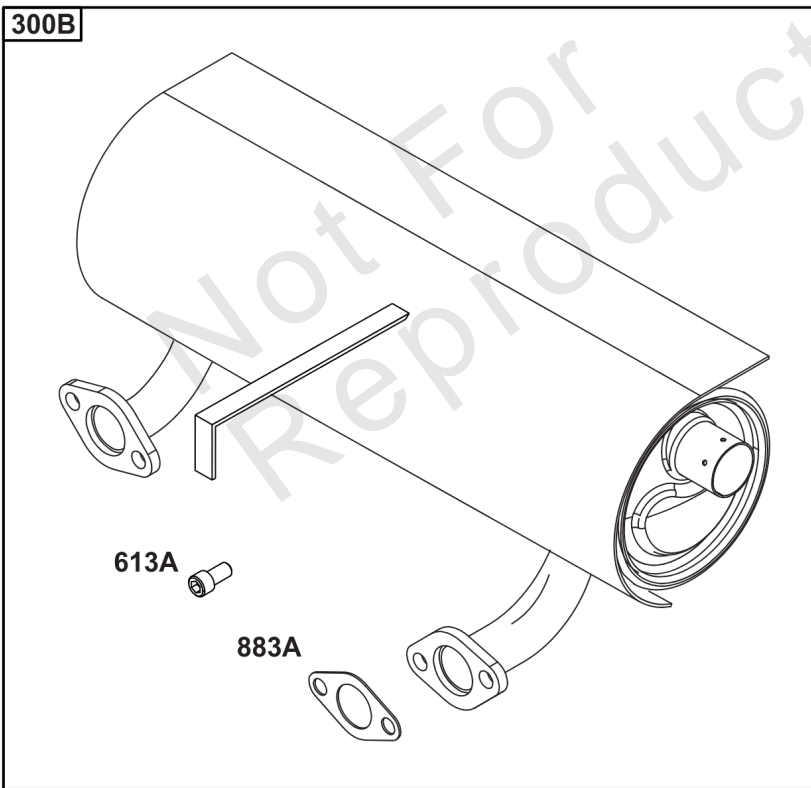
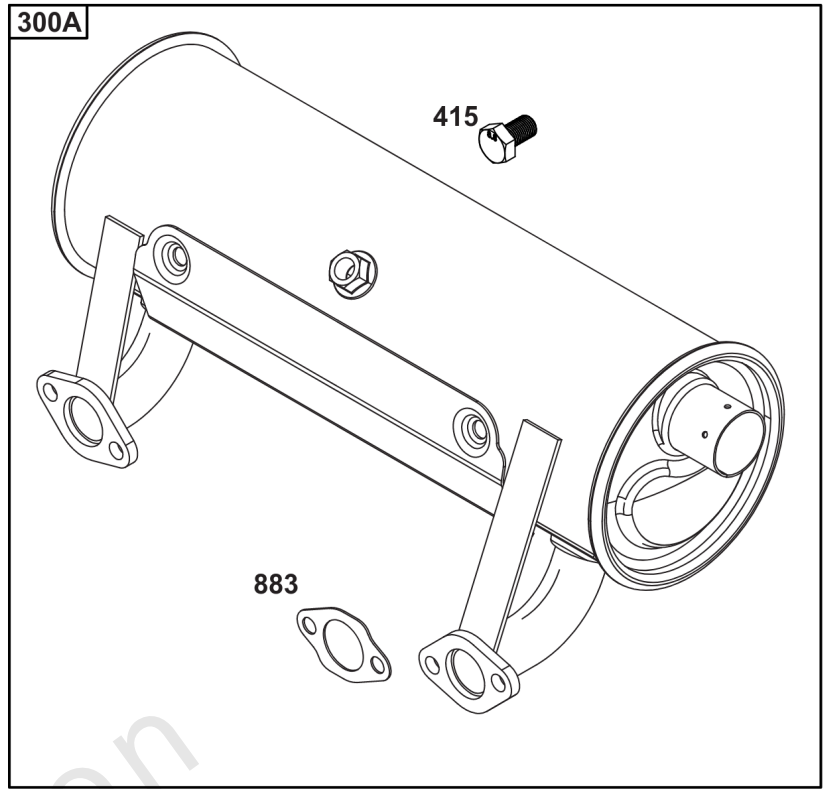
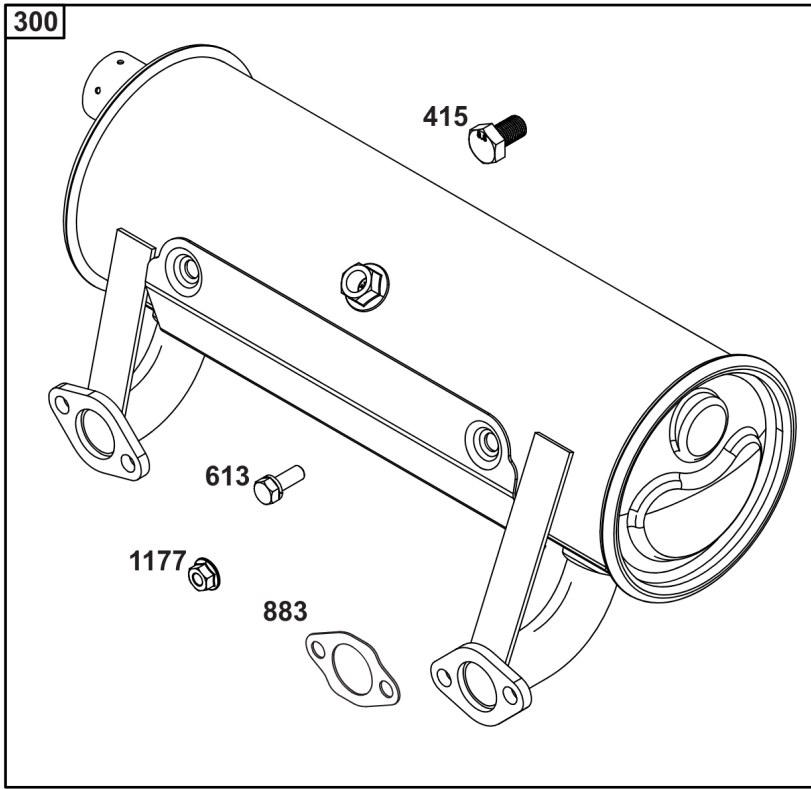
Model 40, 44 & 49 Engine Accessories Catalog

Not For
Reproduction



Maintenance Kits

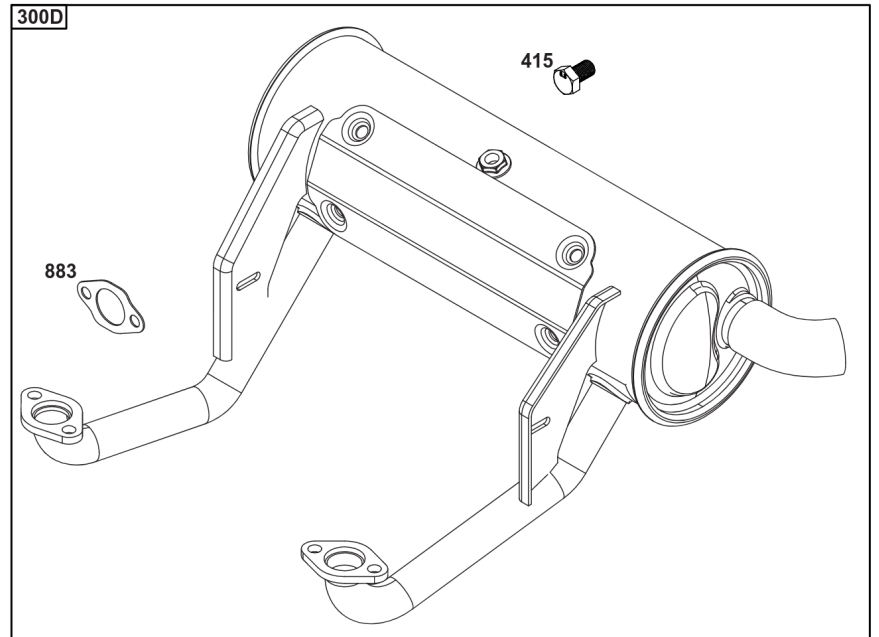
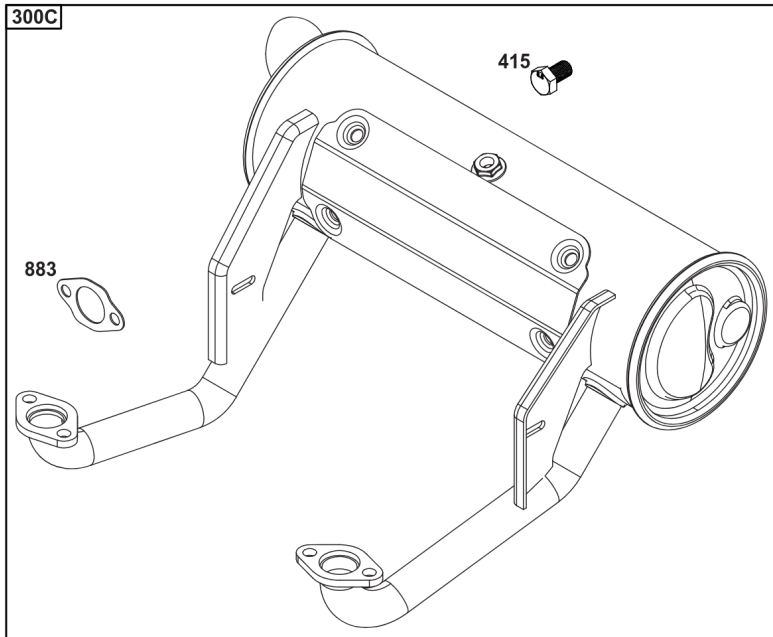
REF NO	PART NO	QTY	DESCRIPTION
9000	84002442		KIT, Maintenance -(Intek / EXi V-Twin Engines) (Do not use with Home Standby Generators.)
9000A	84002317		KIT, Maintenance -(Professional Series™ V-Twin Engines) (Do not use with Home Standby Generators.)
9000B	84002316		KIT, Maintenance -(Commercial Series V-Twin Engines) (Do not use with Home Standby Generators.)
9000C	84002318		KIT, Maintenance -(Oil Guard™ Engines) (Do not use with Home Standby Generators.)
9000D	84002315		KIT, Maintenance -(Non-Oil Guard™ Engines) (Do not use with Home Standby Generators.)
240	84001895	1	FILTER, Fuel -(40 Micron)
240A	845125	1	FILTER, Fuel -(20 Micron)
337	491055S	2	PLUG, Spark
445	594201	1	FILTER-A/C CARTRIDGE
445A	792105	1	FILTER, A/C Cartridge
445B	798897	1	FILTER, A/C Cartridge
445C	841497	1	FILTER, A/C Cartridge
967	797704	1	FILTER, Pre Cleaner
1027	492932S	1	FILTER, Oil -(Standard)
1027A	696854	1	FILTER, Oil -(Premium)
1027B	842921	1	FILTER, Oil -(Vanguard®)
1027C	84007094	1	FILTER, OIL -(Oil Guard™)
1505	100005		OIL-4 CYCLE 30W 18OZ. -(18 oz. Bottle)
1505A	100028		OIL-4 CYCLE30W 48OZ -(48 oz. Bottle)
1505B	100170		OIL-5QT VANGUARD (CASE) -(5 qt. Bottle)
1505C	100169		OIL-1QT VANGUARD (CASE) -(1 qt. Bottle)



Engine Mounted Below Deck Mufflers

REF NO	PART NO	QTY	DESCRIPTION
300	594584	1	KIT-MUFFLER/GUARD -(Oil Filter Side Outlet) (Engine Supported) (O2 Sensor Port)
300A	593877	1	MUFFLER -(Starter Side Outlet) (Engine Supported) (O2 Sensor Port)
300B	594583	1	MUFFLER -(Starter Side Outlet) (Engine Supported) (No O2 Sensor Port)
300C	692120	1	MUFFLER -(Starter Side Outlet) (No O2 Sensor Port)
415	596859	1	PLUG -(O2 Sensor Port)
613	690341	4	SCREW -(Muffler)
613A	690363	4	SCREW -(Muffler)
883	594365	2	GASKET, Exhaust
883A	690970	2	GASKET, Exhaust
1177	690941	4	NUT -(Muffler)

Not For Reproduction



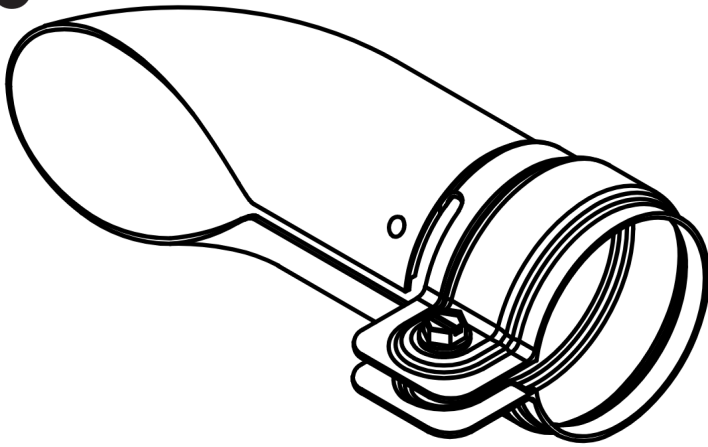
Not For
Reproduction

Engine Mounted Above Deck Mufflers

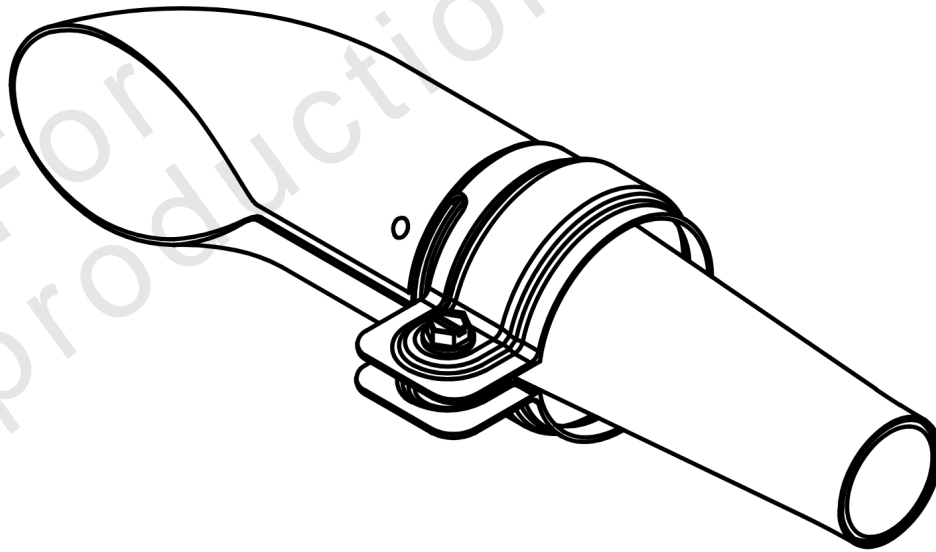
REF NO	PART NO	QTY	DESCRIPTION
300C	595138	1	MUFFLER -(Oil Filter Side Outlet) (Self-Supporting) (O2 Sensor Port)
300D	595139	1	MUFFLER -(Starter Side Outlet) (Self-Supporting) (O2 Sensor Port)
415	596859	1	PLUG -(O2 Sensor Port)
883	594365	2	GASKET, Exhaust

Not For Reproduction

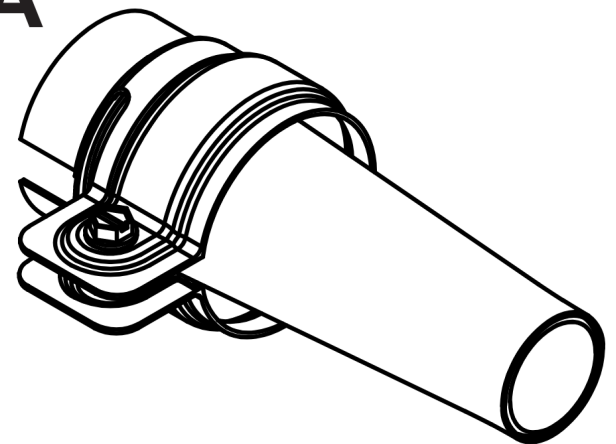
676



994



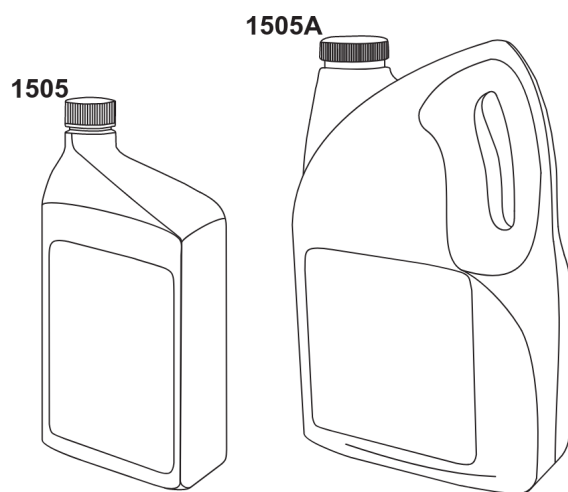
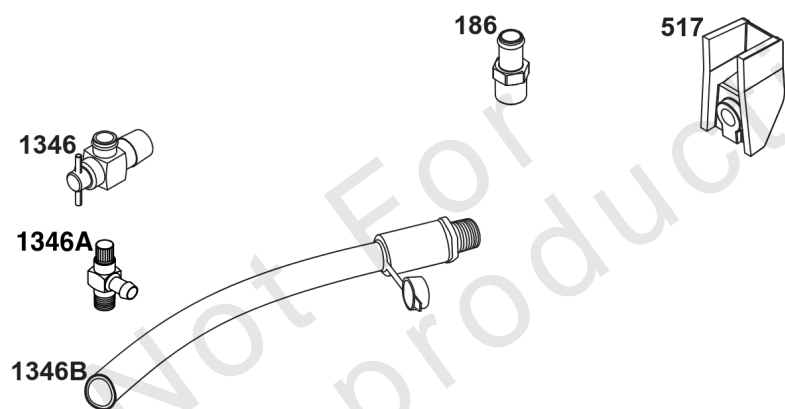
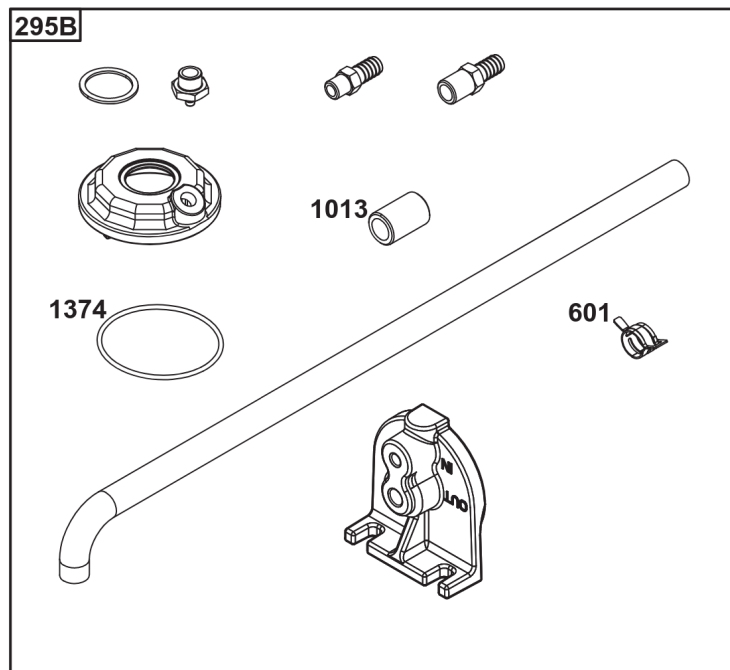
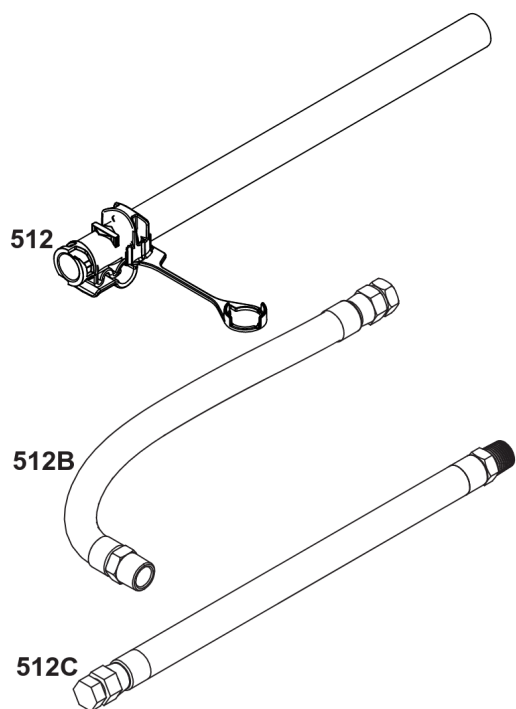
994A



Spark Arrester/Deflector

REF NO	PART NO	QTY	DESCRIPTION
676	593869	1	DEFLECTOR, Muffler -(For Below Deck Mufflers Only)
994	593885	1	ARRESTOR, Spark -(For Below Deck Mufflers Only)
994A	593868	1	ARRESTOR, Spark -(For Below Deck Mufflers Only)

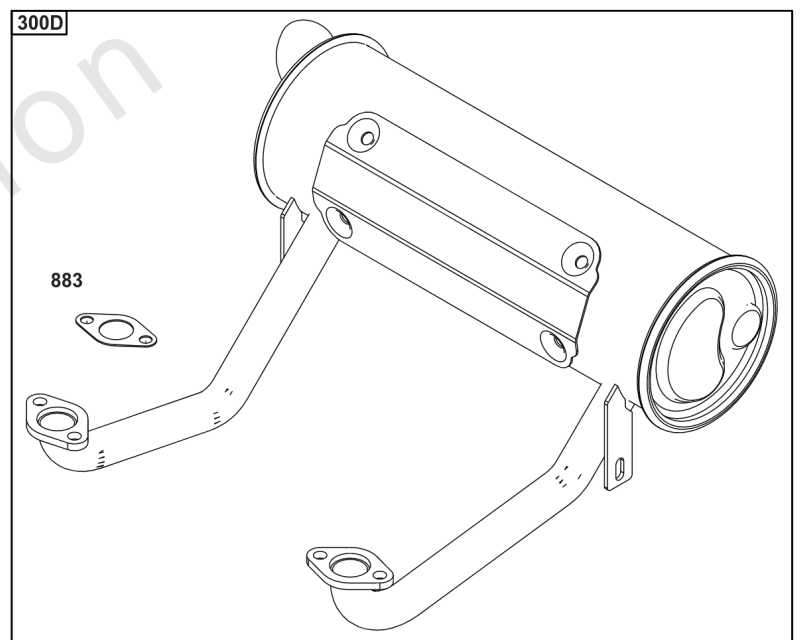
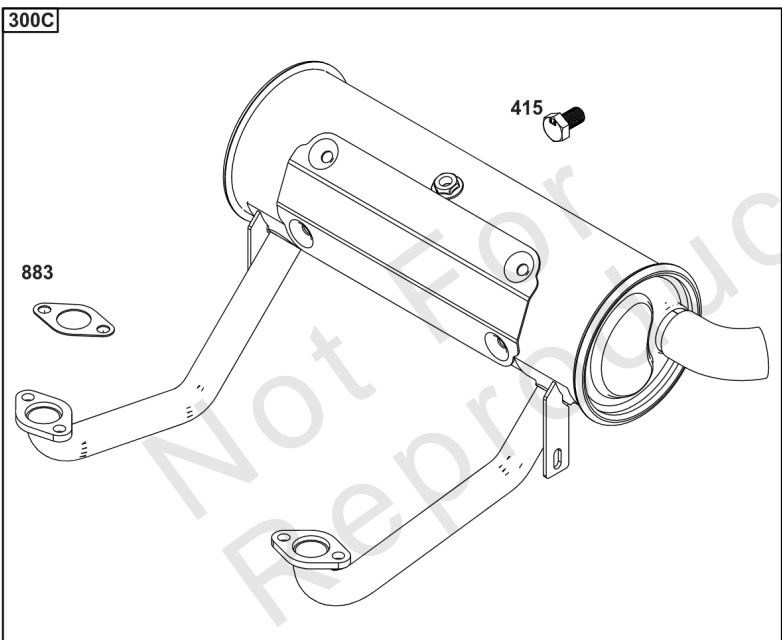
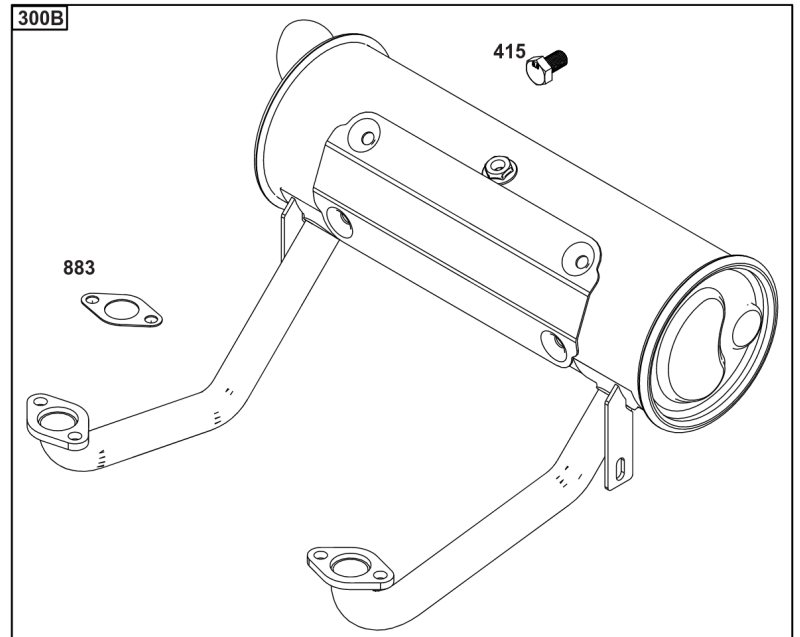
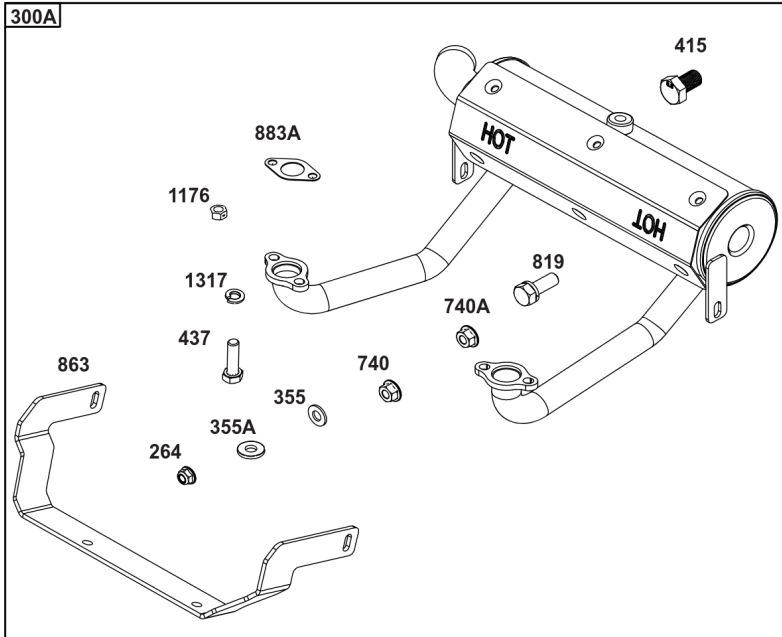
Not For Reproduction



Lubrication

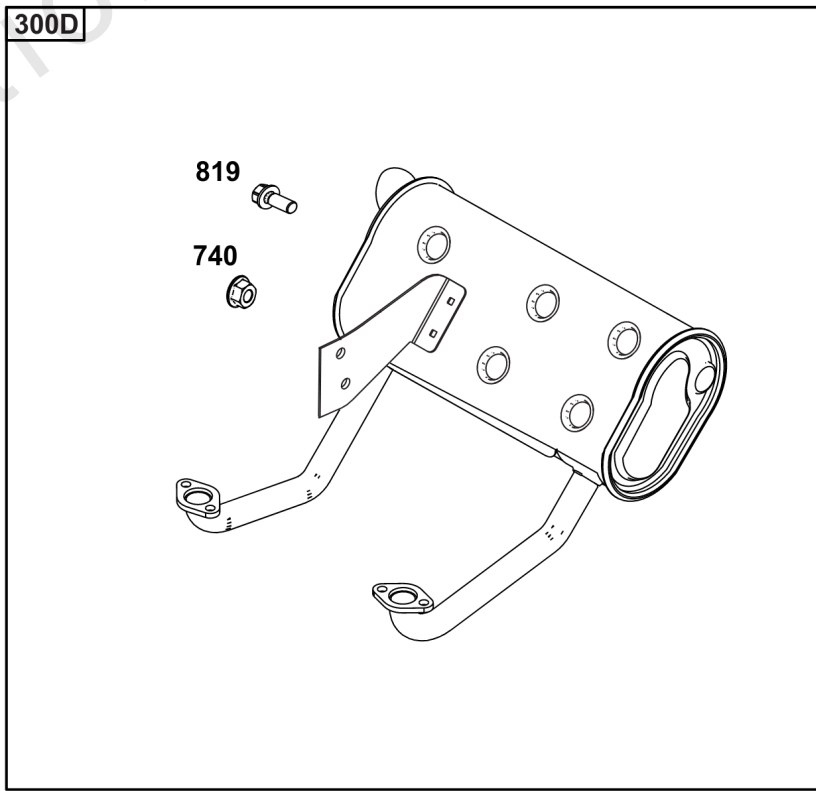
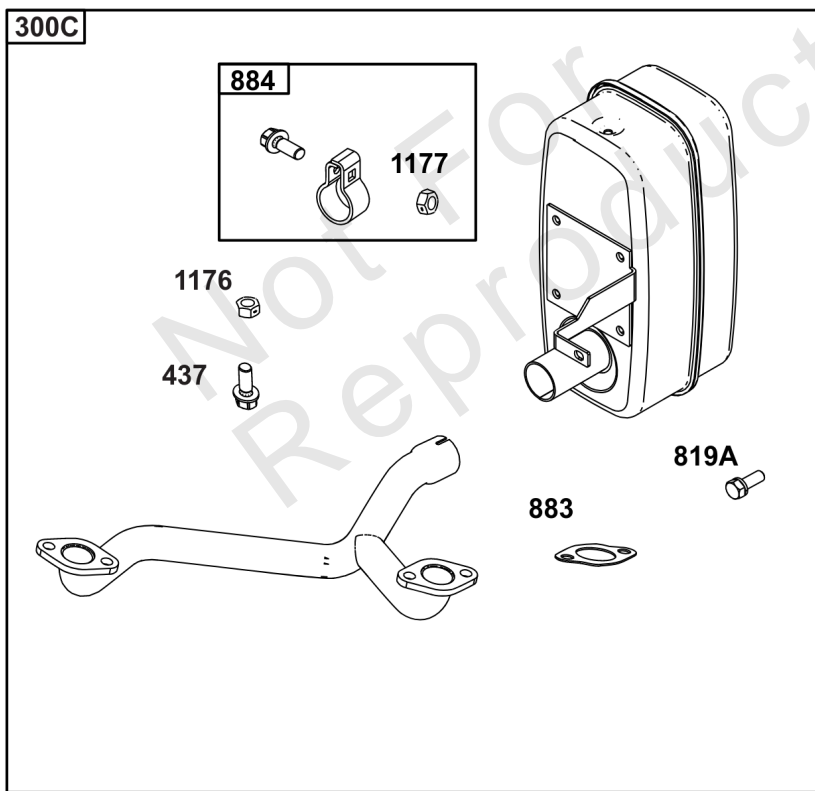
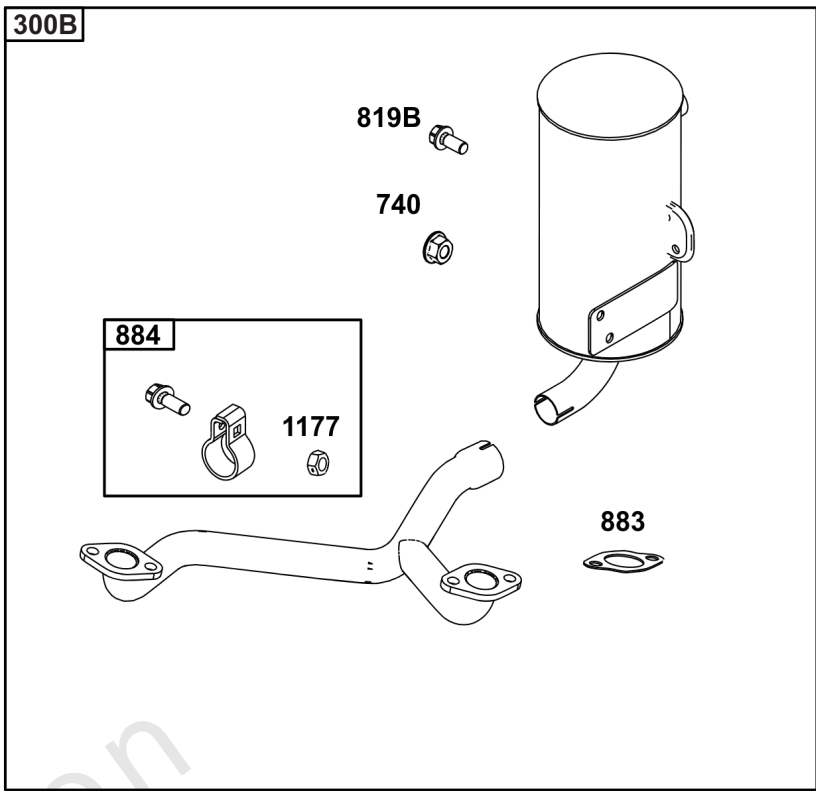
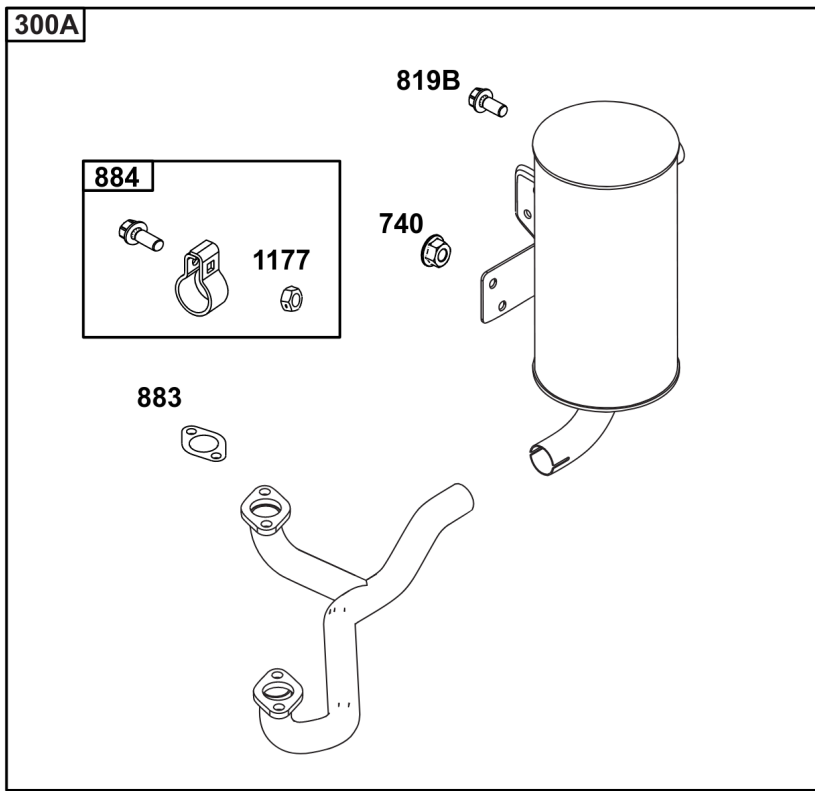
REF NO	PART NO	QTY	DESCRIPTION
186	796532	1	CONNECTOR, Hose -(Threaded Engine Block Connector for EZ-Oil Drain Hose) (Order hose separate)
239	690233	1	SWITCH, Oil Pressure -(2-4 PSI Normally-Closed Switch)
239A	491657S	1	SWITCH, Oil Pressure -(3-5 PSI Normally-Closed Switch)
239B	841281	1	SWITCH, Oil Pressure -(7-10 PSI Normally-Closed Switch)
239C	694115	1	SWITCH, Oil Pressure -(9-13 PSI Normally-Closed Switch)
239D	697049	1	SWITCH, Oil Pressure -(3-6 PSI Normally-Open Switch)
295B	594271	1	ADAPTER, Remote Oil Filter -(Remote Oil Filter Kit)
512	594200	1	HOSE, Oil Drain -(EZ-Oil Drain Hose, 10.5") (Order threaded engine block connector separate)
512	593635	1	HOSE, Oil Drain -(EZ-Oil Drain Hose, 13.75") (Order threaded engine block connector separate)
512B	1723165SM	1	HOSE, Oil Drain, 10-1/2" Long, 3/8-18 Fittings -(10.5")
512C	5048681SM	1	HOSE, OIL DRAIN -(12.5")
517	593633	1	RETAINER, Oil Drain
601	841597	4	CLAMP, Hose
1013	690954	1	NIPPLE, Oil Filter
1346	844802	1	VALVE, Oil Drain Shut Off
1346A	492031	1	VALVE, Oil Drain Shut Off
1346B	5401WEB	1	VALVE, Oil Drain Shut Off -(1/4 Turn Oil Drain Valve with Hose)
1374	796863	1	SEAL, O-Ring
1505	100169		OIL-1QT VANGUARD (CASE) -(1 qt. Bottle)
1505A	100170		OIL-5QT VANGUARD (CASE) -(5 qt. Bottle)

Implement Mounted Above Deck Mufflers



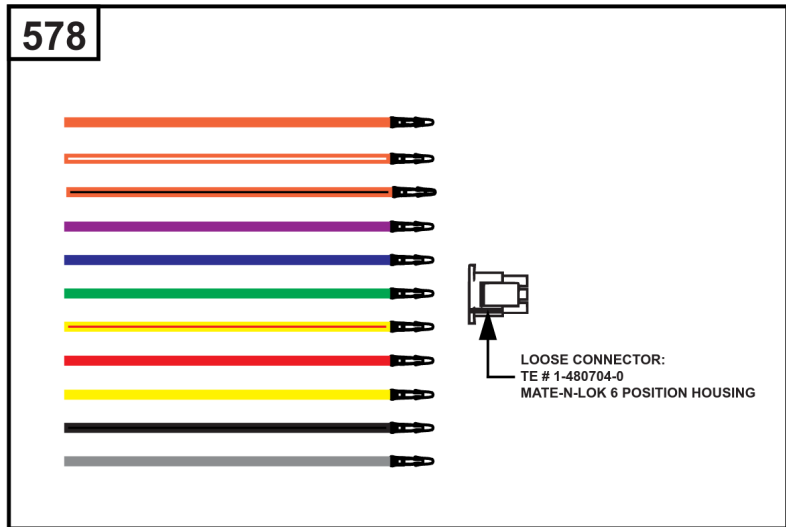
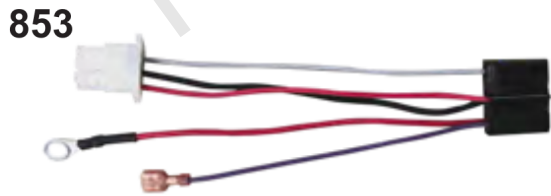
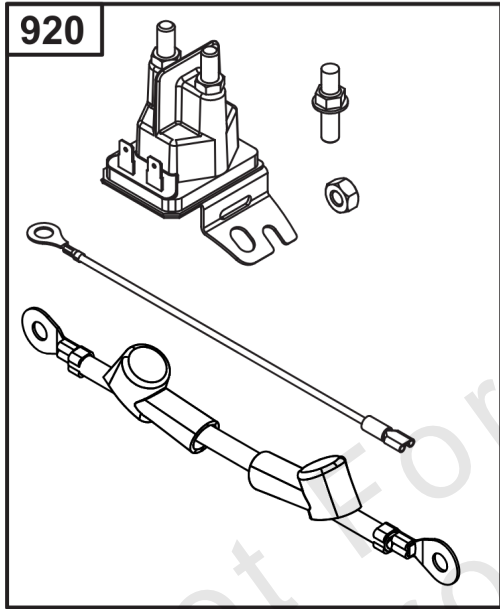
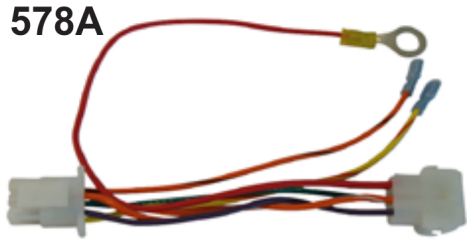
Implement Mounted Above Deck Mufflers

REF NO	PART NO	QTY	DESCRIPTION
300A	594585	1	MUFFLER -(Oil Filter Side Outlet) (Implement Supported) (O2 Sensor Port)
300B	595134	1	MUFFLER -(Oil Filter Side Outlet) (O2 Sensor Port)
300C	595135	1	MUFFLER -(Starter Side Outlet) (O2 Sensor Port)
300D	595136	1	MUFFLER -(Oil Filter Side Outlet)
264	703465	4	NUT, 5/16-18, GR5 -(Muffler Adapter)
355	5025292SM	4	WASHER, 5/16" GD.9 FL -(Muffler Bracket)
355A	5025155SM	2	WASHER, 5/16 -(Muffler Bracket)
415	596859	1	PLUG -(O2 Sensor Port)
437	703585	4	CAPSCREW, 5/16-18X1 -(Exhaust Manifold)
740	703164	2	NUT -(Muffler Bracket)
740A	703115	2	NUT -(Muffler Bracket)
819	690341	4	SCREW -(Muffler Bracket)
863	597480	1	BRACKET, Muffler
883	594365	2	GASKET, Exhaust
883A	690970	2	GASKET, Exhaust
1176	690941	4	NUT -(Exhaust Manifold)
1317	703116	4	LCKWSHR -(Exhaust Manifold)



Exhaust/Muffler Configurations

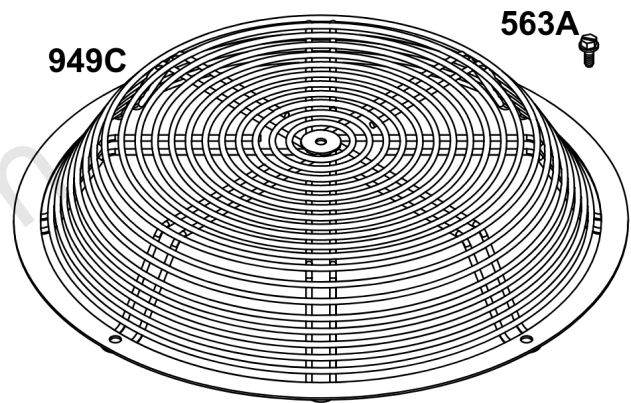
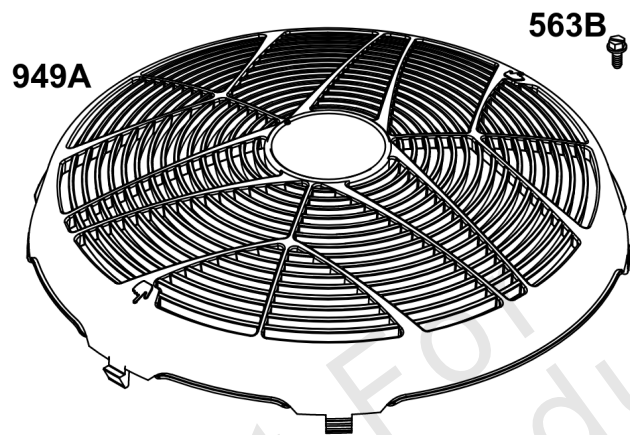
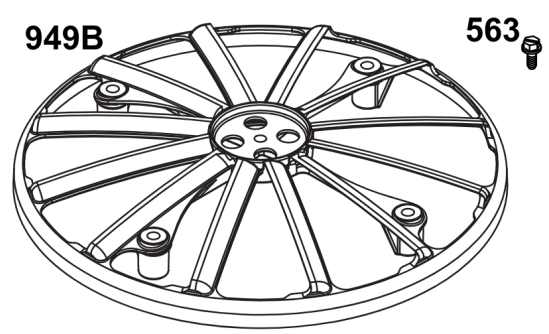
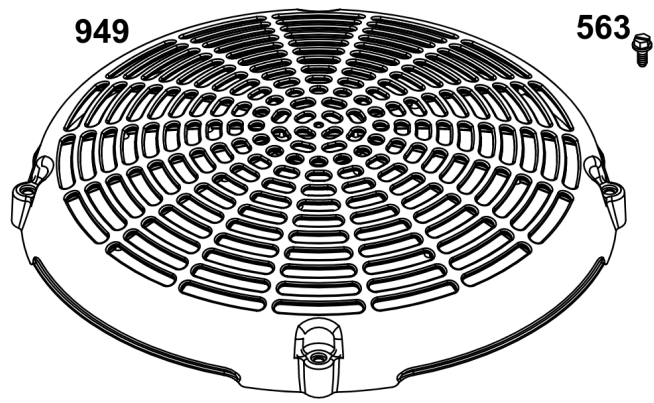
REF NO	PART NO	QTY	DESCRIPTION
300A	771127	1	MUFFLER -(Oil Filter Side Outlet)(Commercial & Professional Series)
300B	771128	1	MUFFLER -(Starter Side Outlet)(Commercial & Professional Series)
300C	595822	1	MUFFLER -(Starter Side Outlet)(Commercial & Professional Series)
300D	84003680	1	MUFFLER -(Oil Filter Side Outlet) (Commercial & Professional Series)(Vanguard 810 & 810 EFI) (Compatible with 593868 Spark Arrester, 593885 Spark Arrester with Deflector.) (Equipped with plug for blocking off O2 sensor port for non EFI engines.)
437	690341	4	SCREW -(Exhaust Manifold)
740	704067	2	NUT, HEX FLNG,5/16-18 -(Muffler Bracket)
819	592604	2	SCREW -(Muffler Bracket)
819A	695629	4	SCREW -(Muffler Bracket)
819B	692062	2	SCREW -(Muffler Bracket)
883	594365	2	GASKET, Exhaust
884	691956	1	CLAMP, Muffler
1176	690941	4	NUT -(Exhaust Manifold)
1177	793859	1	NUT -(Muffler)



Electrical

REF NO	PART NO	QTY	DESCRIPTION
578	84007350	1	WIRE ASSEMBLY -(Wire Harness Adapter Aids in repowering engine application with Male 6-Pin connector and wires create custom adapter configurations.)
578A	19631	1	TOOL, CUSTOM HARNESS -(6-pin Wire Harness Adapter) (Aids in repowering engine application to an EFI engine)
853	84003359	1	ADAPTER, WIRE -(Wire Harness Adapter) (Aids in repowering ExMark) (Flat 6-spade connector to Briggs & Stratton 6-Pin connector)
920	84002147	1	SOLENOID, STARTER -(Starter Solenoid Kit) (Aids in Repowering when original is solenoid shift)
983	5103809YP	1	LIGHT, Indicator -(MIL Light Indicator) (LED Red)
1616	19626	1	CODE READER -(Tiny Scan Code Reader)

Not For Reproduction

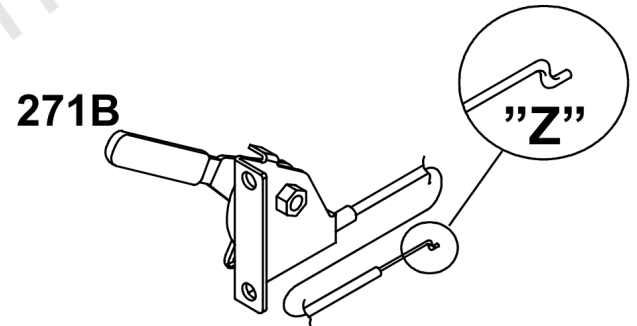
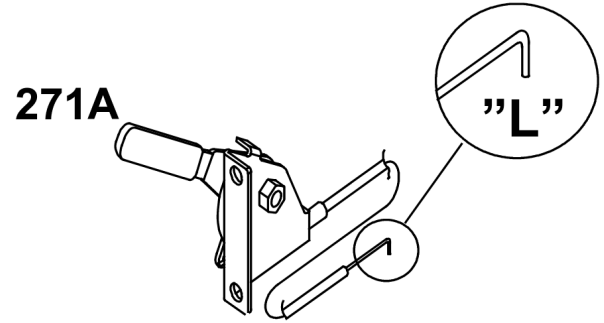
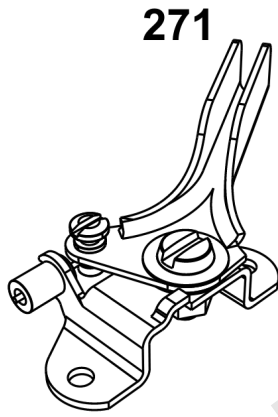
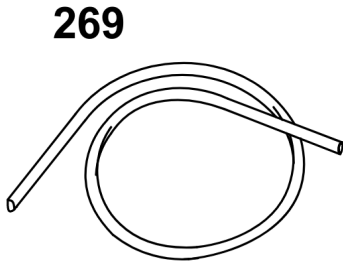
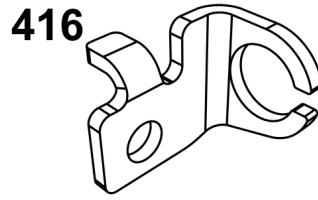
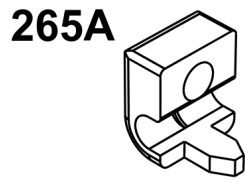
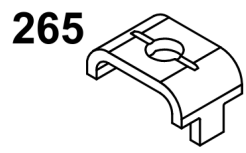


Not For
Reproduction

Flywheel Guards

REF NO	PART NO	QTY	DESCRIPTION
563	799360	1	SCREW -(Debris Screen Guard)
563A	597574	1	SCREW -(Debris Screen Guard)
563B	799359	1	SCREW -(Debris Screen Guard)
949	799357	1	GUARD, Debris Screen -(Static Cover Flywheel) (Requires 4 x 799360 Screw)
949A	797420YP	1	GUARD, Debris Screen -(Static Cover Flywheel High Flow) (Requires 4 x 799360 Screw)
949B	593206	1	GUARD, Debris Screen -(Static Cover Flywheel) (Requires 4 x 799359 Screw)
949C	597573	1	GUARD, Debris Screen -(Wire Static Flywheel Cover) (Requires 4x 597574 Screw) (For Commercial Series)

Not For Reproduction

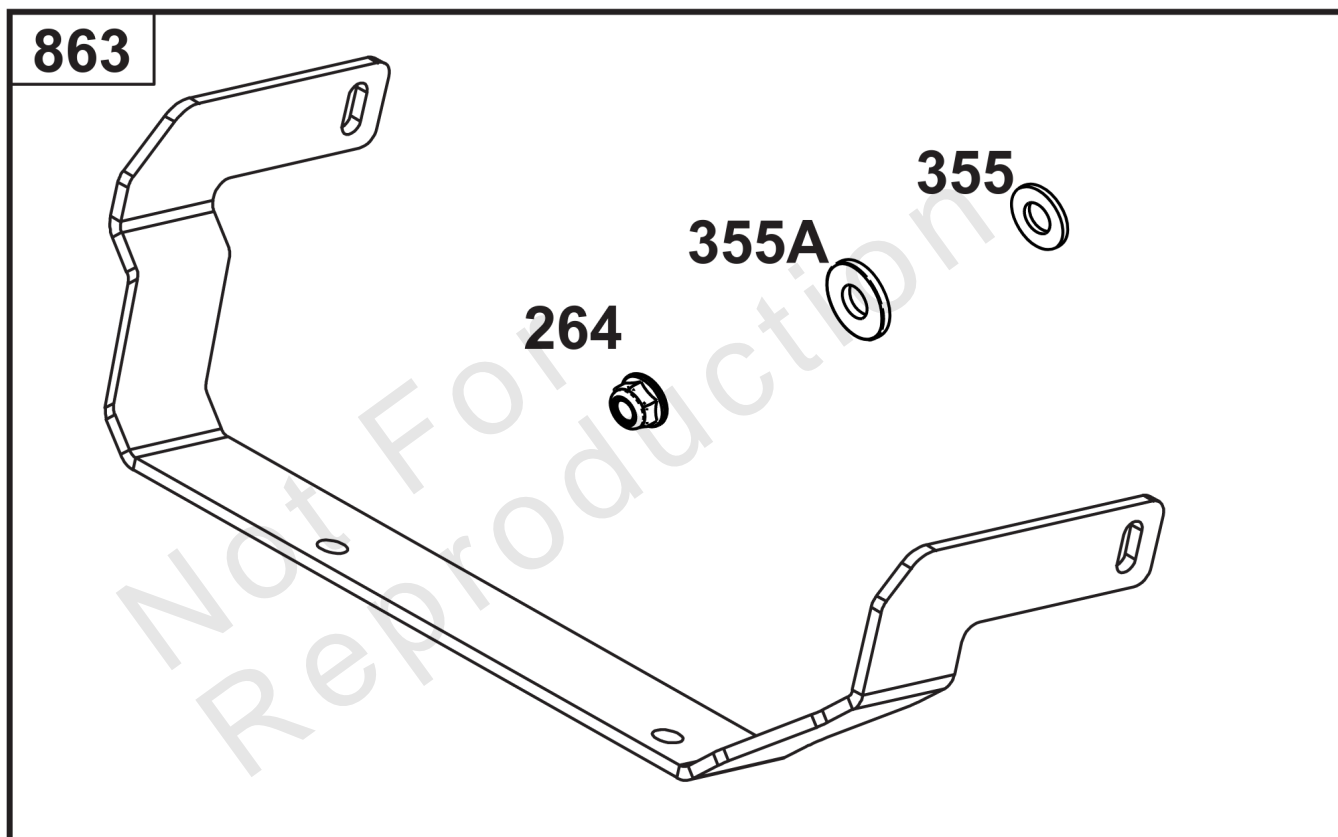
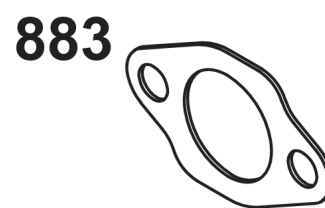


Not For
Reproduction

Speed Control

REF NO	PART NO	QTY	DESCRIPTION
265	691024	1	CLAMP, Casing -(Casing Clamp for Hard Casing)
265A	690798	1	CLAMP, Casing -(Casing Clamp for Soft Casing)
267	792629	1	SCREW -(Screw for Casing Clamp)
269	93907	1	WIRE, Control -(Control Wire 100')
271	691028	1	LEVER, Control -(Speed Control Lever Assembly)
271A	692105	1	LEVER, Control -("L" formed end Speed Control Lever Assembly)
271B	692541	1	LEVER, Control -("Z" formed end Speed Control Lever Assembly)
416	595196	1	BRACKET, Throttle Cable -(Casing Clamp for Snap-In Casing)

Not For Reproduction



Muffler Mounting Hardware

REF NO	PART NO	QTY	DESCRIPTION
264	703465	4	NUT, 5/16-18, GR5 -(Muffler Adapter)
296	591756	4	STUD -(Muffler)
355	5025292SM	4	WASHER, 5/16" GD.9 FL -(Muffler Bracket)
355A	5025155SM	2	WASHER, 5/16 -(Muffler Bracket)
613	690341	4	SCREW -(Muffler)
613A	690363	4	SCREW -(Muffler)
863	597480	1	BRACKET, Muffler
883	594365	2	GASKET, Exhaust
883A	690970	2	GASKET, Exhaust
1177	690941	4	NUT -(Muffler)

Not For Reproduction

