

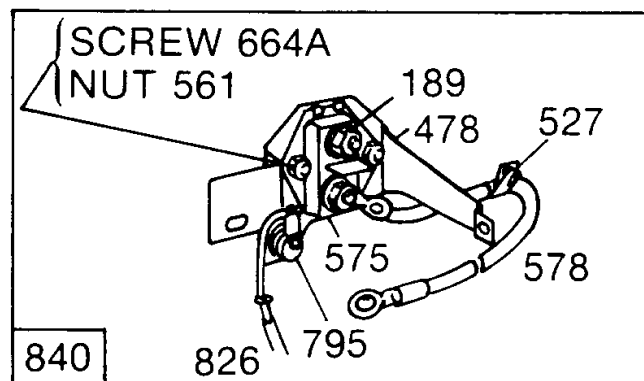
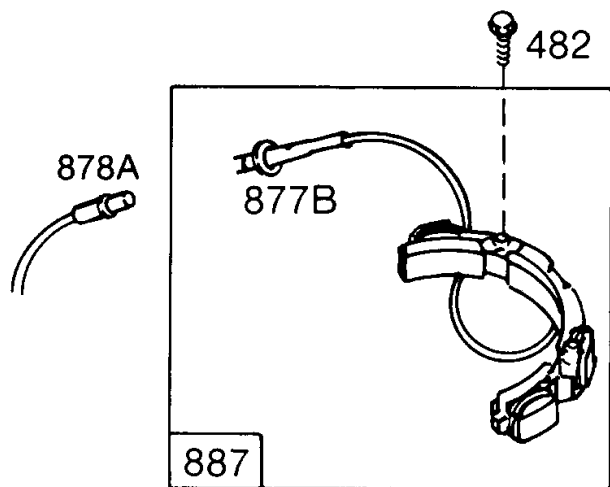
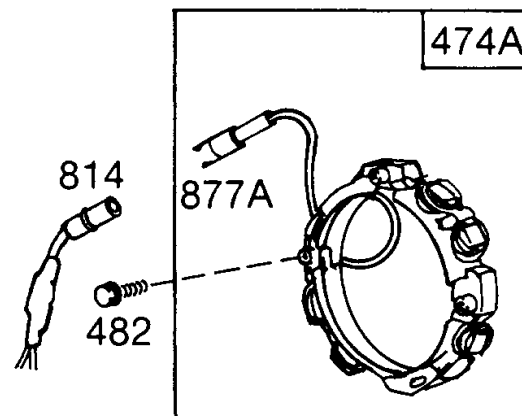
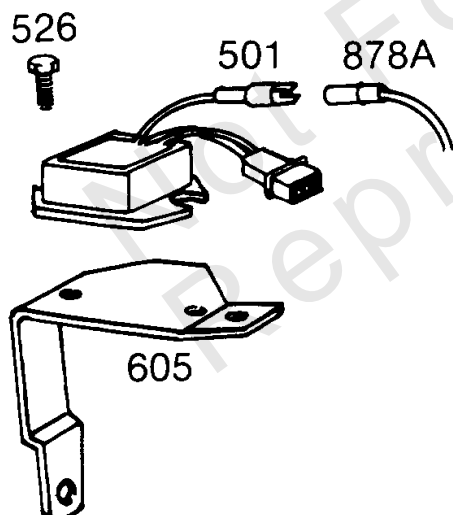
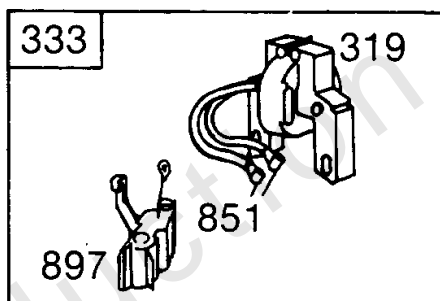
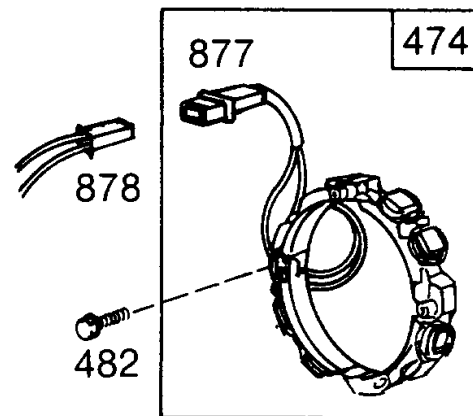
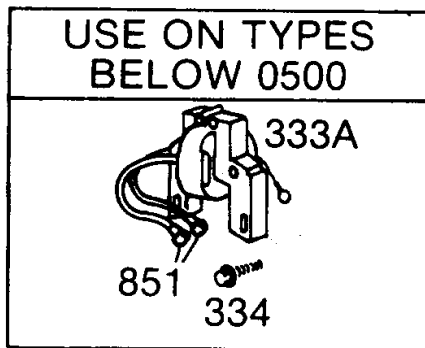
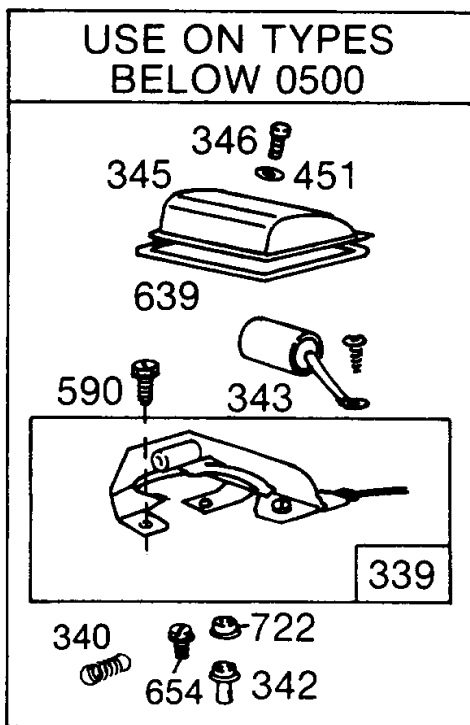


Parts Manual

Mfg. No: 401417-0011-99

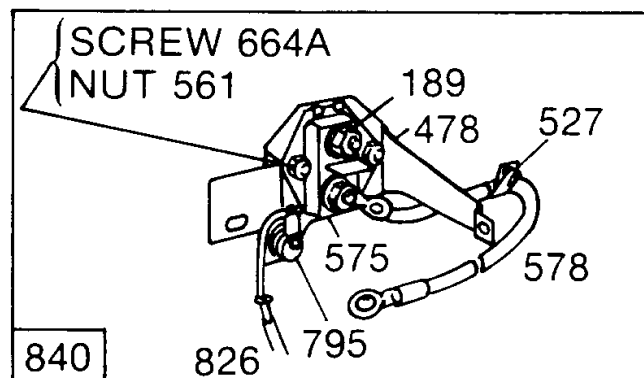
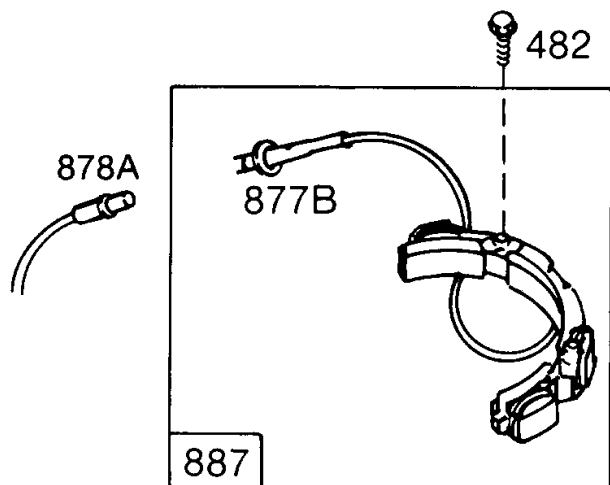
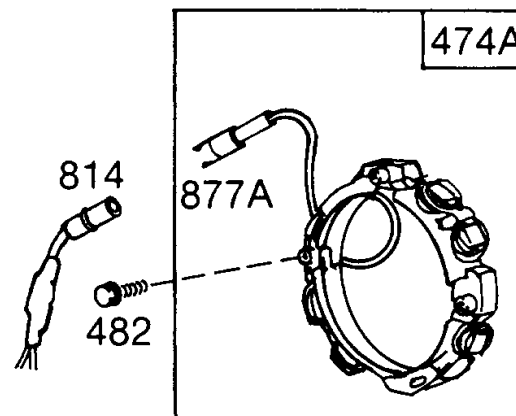
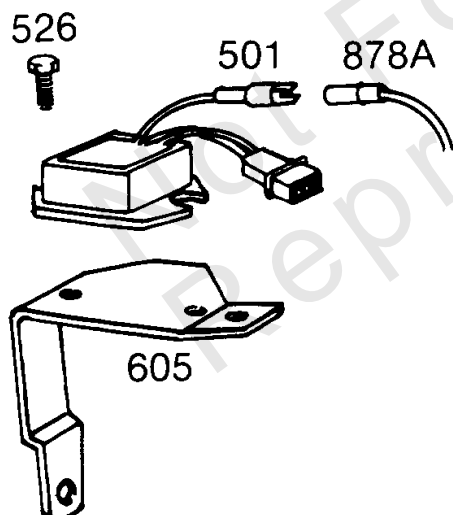
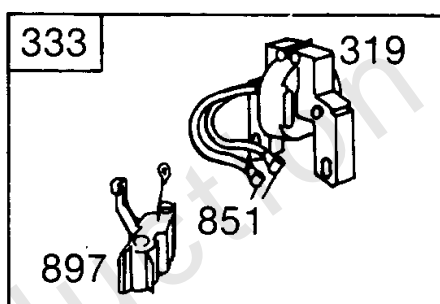
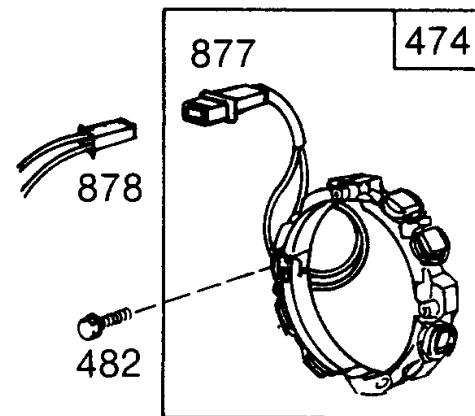
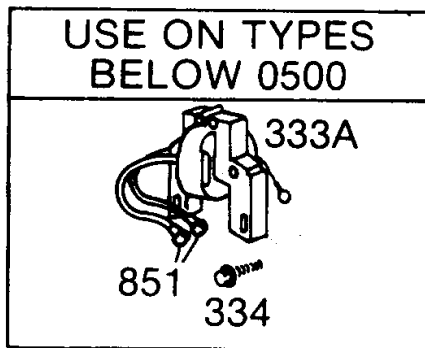
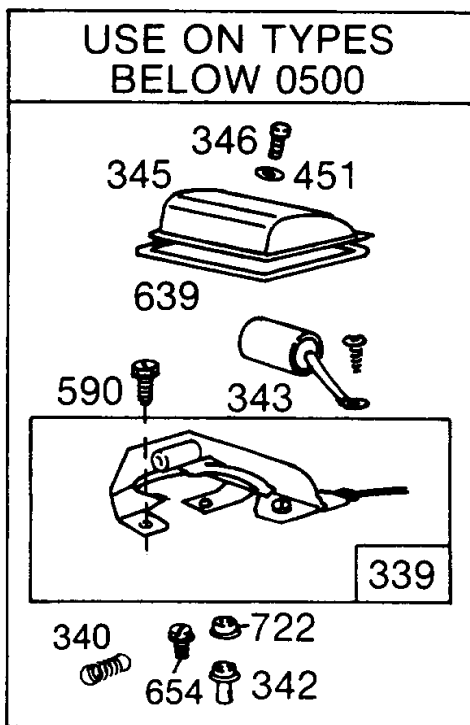
Model Components	Page
Alternators, Misc Electrical.	4
Blower Hsg, Air Guides, Elect.	8
Carburetor Assy, Manifold, A/C.	10
Cylinder, Cylinder Heads, Sump.	16
Electric Starter and Chart.	24
Fuel Tank, Flywheel, Screens.	26
Replacement Engine - US & Canada.	28
Model 40, 44 & 49 Engine Accessories Catalog.	29
Maintenance Kits.	30
Engine Mounted Below Deck Mufflers.	32
Engine Mounted Above Deck Mufflers.	34
Spark Arrester/Deflector.	36
Lubrication.	38
Implement Mounted Above Deck Mufflers.	40
Exhaust/Muffler Configurations.	42
Electrical.	44
Flywheel Guards.	46
Speed Control.	48
Muffler Mounting Hardware.	50

Not For
Reproduction



Alternators, Misc Electrical

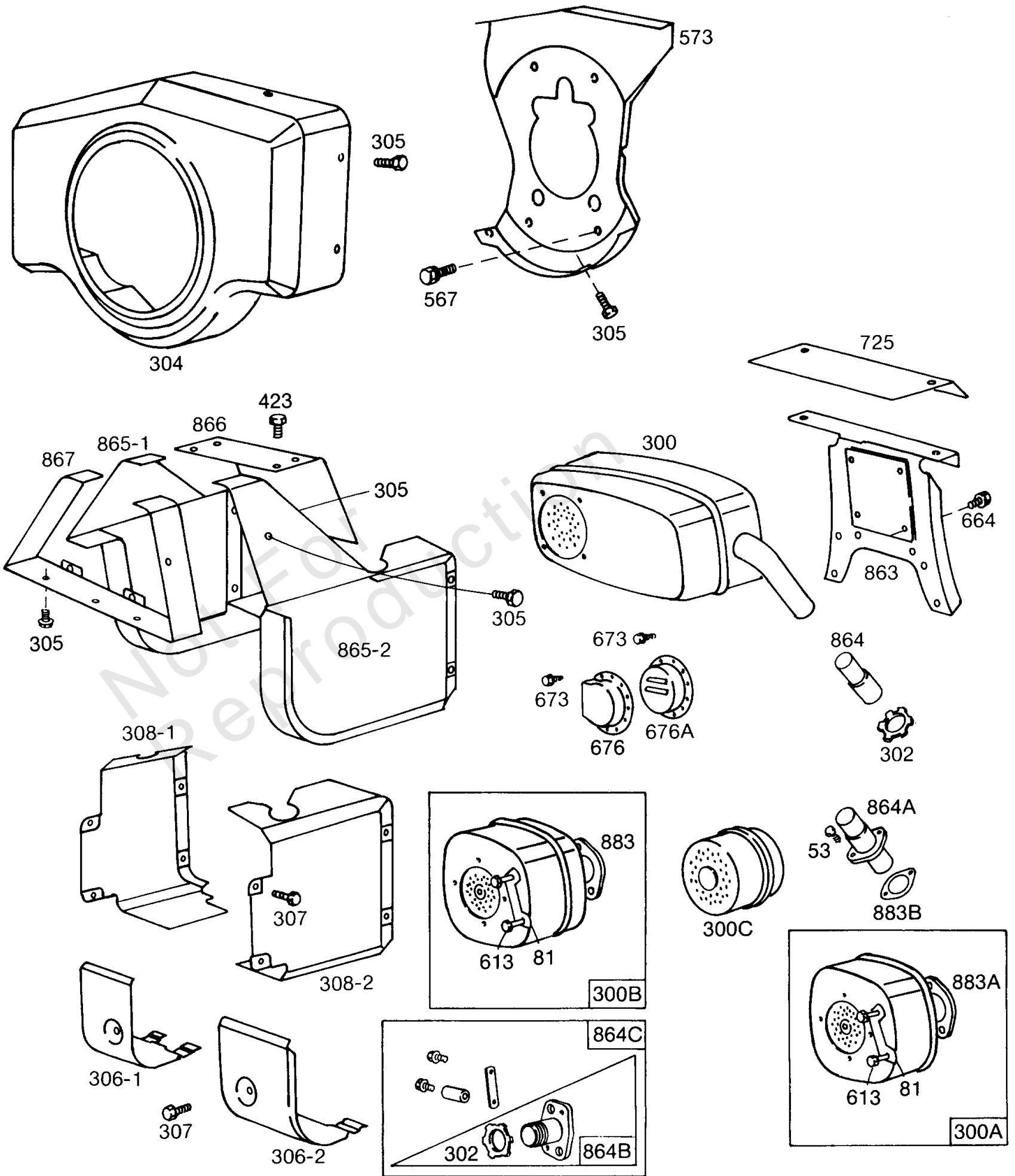
REF NO	PART NO	QTY	DESCRIPTION
189	90366		WASHER
319	394988		ARMATURE, Magneto
333A	392329		ARMATURE, Magneto
333	394891		ARMATURE, Magneto -(Magnetron Ignition)
334	93381		SCREW
339	393403		BREAKER, Ignition -For Conversion to MAGNETRON Ignition Order Part No. 394891
340	26018		SPRING, Breaker Arm
342	393598		PLUNGER, Breaker
343	392912		CONDENSER
345	212259		COVER, Breaker
346	93854		SCREW
451	271037		WASHER -(Breaker)
474A	392595		ALTERNATOR -(Tri Circuit) (9 Amp Regulated)
474	393295		ALTERNATOR -(10, 13, or 16 Amp-Depending on Size of Flywheel Magnets) (Regulated)
474	393474		ALTERNATOR -(Dual Circuit)
478	223106		BRACKET, Stopswitch -(Toggle Switch)
482	93621		SCREW -(Tapping)
501	394890		REGULATOR -(10, 13, or 16 Amp, Depending on Size of Flywheel Magnets)
526	93343		SCREW -(Control Panel)
527	220509		CLIP, Wire
561	92278		NUT -(Starting Switch)
575	299139		SWITCH, Starting
578	394518		WIRE ASSEMBLY
590	93171		SCREW
605	222959		BRACKET, Support
639	271039		GASKET, Breather -Included in Gasket Set-Part No. 394501
654	230783		NUT
664A	93415		SCREW -(1/4-20 X 3/4)
722	280222		SEAL, Plunger
795	392697		SWITCH, Toggle -(Toggle Switch)
795	93888		NUT
814	392606		HARNESS, Alternator -(Tri Circuit)
826	394667		WIRE, Stop
840	394583		KIT, Panel -(Toggle Switch)
851	221798		TERMINAL, Spark Plug
877A	393537		WIRE/CONNECTOR, Alternator -(Tri Circuit) (9 Amp)
877B	393814		WIRE/CONNECTOR, Alternator -(10 Amp Regulated)
877	393456		WIRE/CONNECTOR, Alternator



Alternators, Misc Electrical

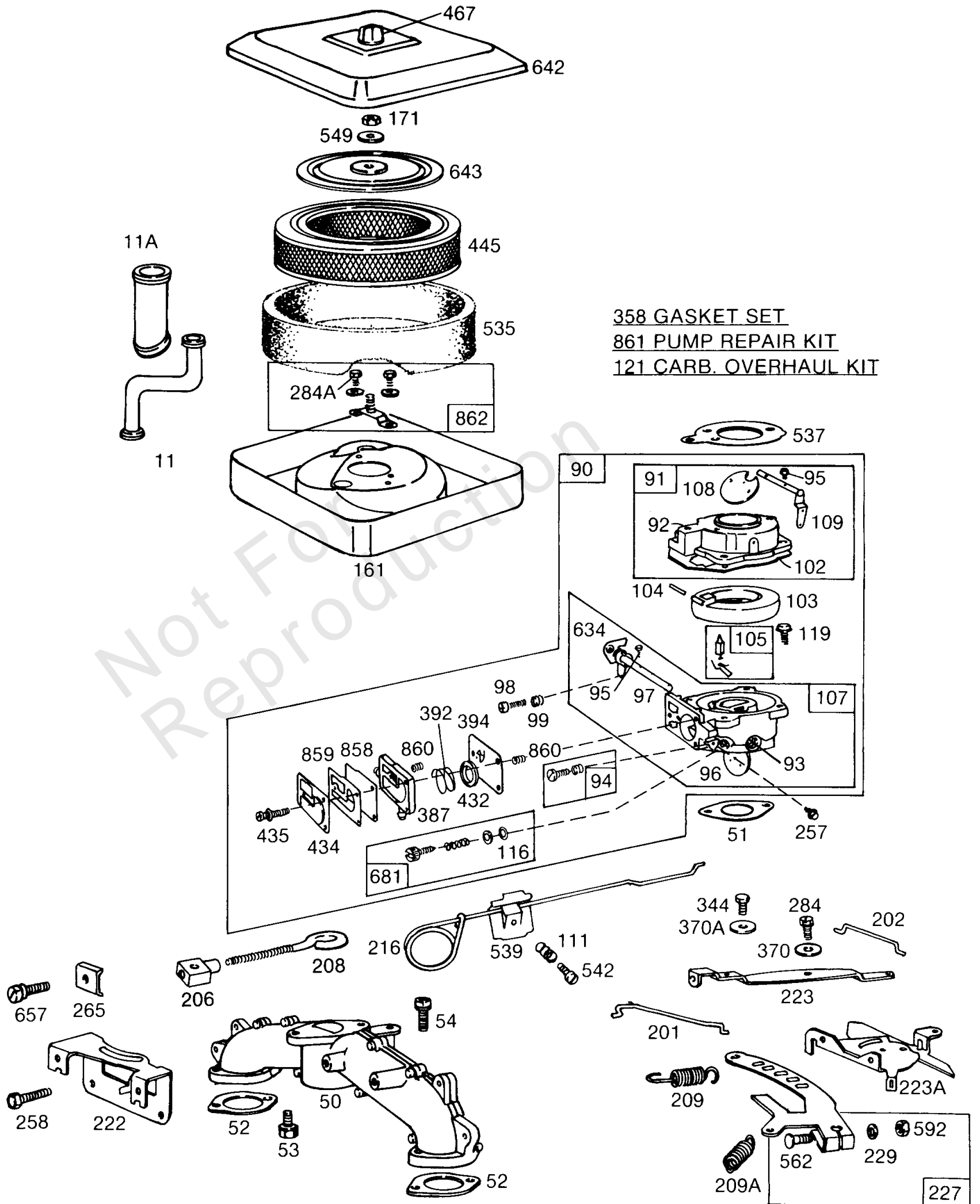
REF NO	PART NO	QTY	DESCRIPTION
878A	393422		WIRE ASSEMBLY -(Dc Only)
878	393362		HARNESS, Alternator -(Dual Circuit)
887	391529		ALTERNATOR -(DC Only)
897	394970		KIT, Magnetron Ignition -MAGNETRON Ignition

Not For Reproduction



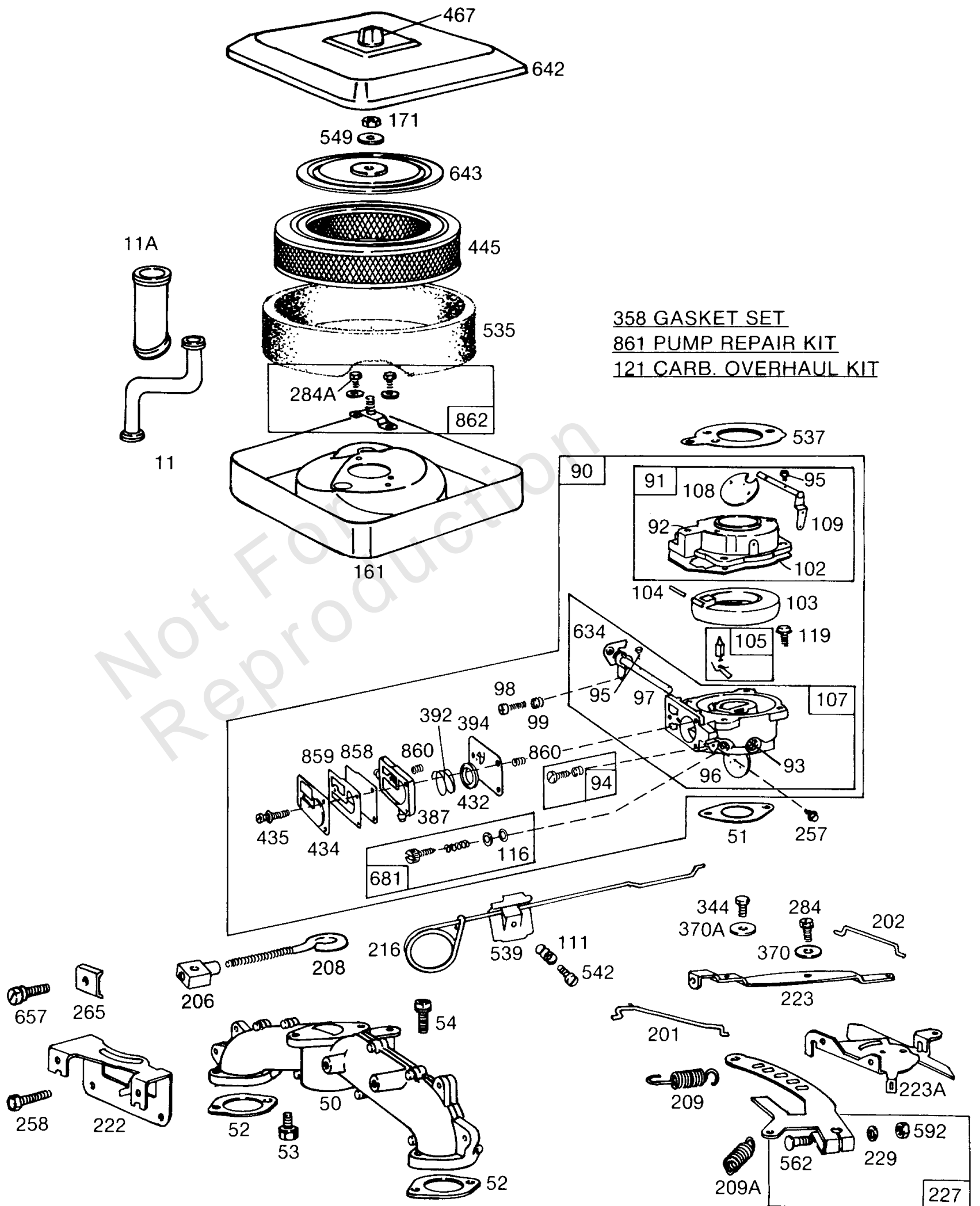
Blower Hsg,Air Guides,Elect.

REF NO	PART NO	QTY	DESCRIPTION
53	93415		SCREW -(1/4-20 X 3/4)
81	222263		LOCK, Muffler Screw -(3/8 Diameter Bolt Holes)
300B	394237		MUFFLER -Includes: 270917 Gasket
300A	391370		MUFFLER -(Lo Tone) Includes: 270918 Gasket
300C	392989		MUFFLER
300	394200		MUFFLER
302	261409		LOCKNUT -(Muffler and Elbow)
304	392681		HOUSING, Blower
305	93158		SCREW -(1/4-20 X 5/8)
306-1	222846		SHIELD, Cylinder
306-2	222847		SHIELD, Cylinder -Use on Engines with 3-5/8 or Shorter Starter Motor
307	93163		SCREW
308-1	222848		COVER, Air Guide
308-2	222849		COVER, Air Guide
567	93777		SCREW
573	392934		PLATE, Back
613	93704		SCREW -(Muffler)
664	93343		SCREW -(Control Panel)
673	93705		SCREW -(8-32 X 3/8)
676A	222902		DEFLECTOR, Muffler
725	222981		SHIELD, Heat
863	222776		BRACKET, Muffler
864A	393483		LINER, Port
864C	394425		ADAPTER, Muffler
864B	392196		ADAPTER, Muffler
864	231162		ADAPTER, Muffler
865-1	392991		COVER, Cylinder Head -(Cylinder 1)
865-2	392992		COVER, Cylinder Head -(Cylinder 2)
866	393025		COVER, Air Guide
867	222775		FRAME, Air Guide
883B	271174		GASKET, Exhaust
883A	270918		GASKET, Exhaust
883	270917		GASKET, Exhaust



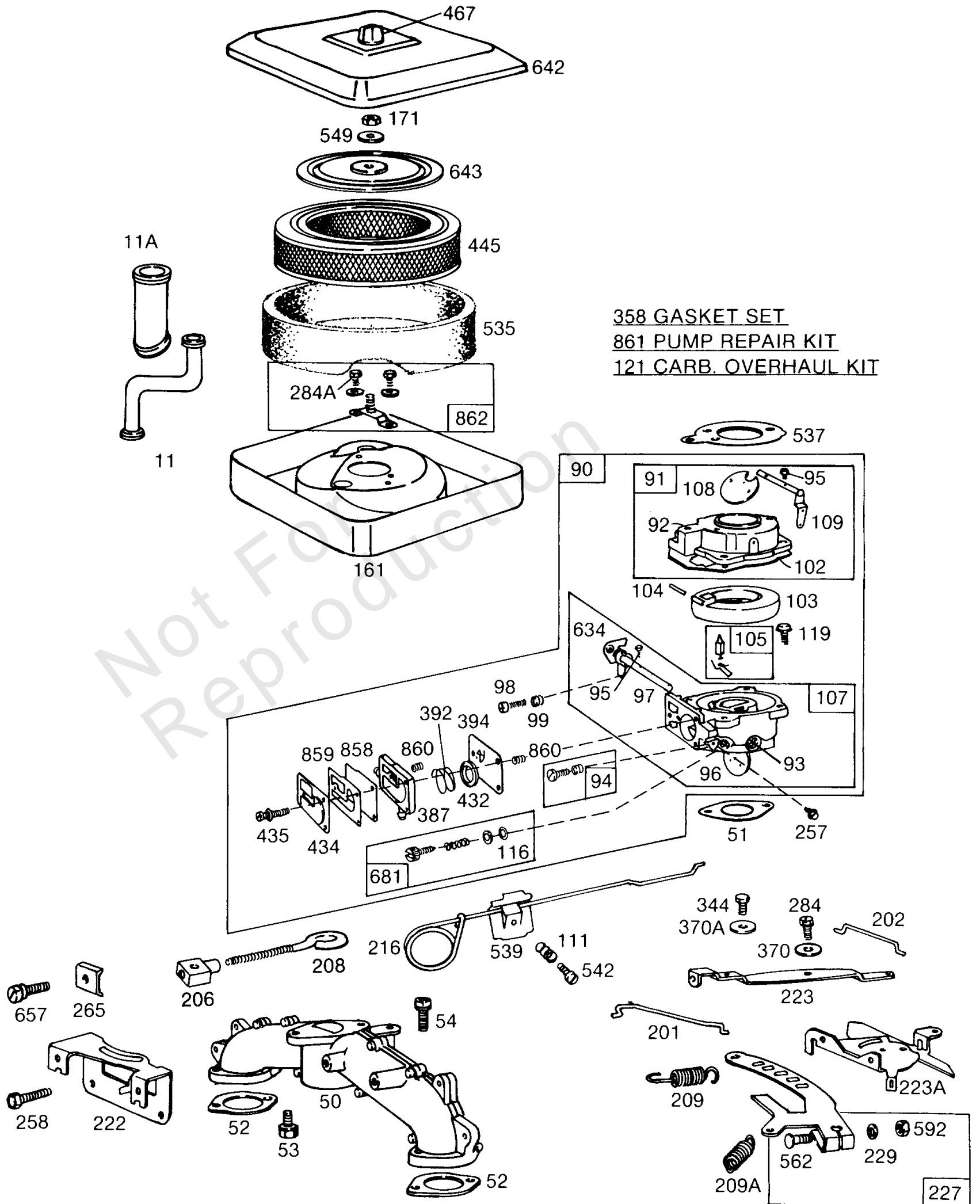
Carburetor Assy,Manifold,A/C

REF NO	PART NO	QTY	DESCRIPTION
11A	280198		MANIFOLD, Intake
11	280185		TUBE, Breather
50	393349		MANIFOLD, Intake -(Aluminum)
51	271412		GASKET, Intake -Included in Carburetor Overhaul Kit-Part No. 394502. Included in Gasket Set- Part No. 394501
52	270884		GASKET, Intake -Included in Gasket Set-Part No. 394501
53	93415		SCREW -(1/4-20 X 3/4)
54	93208		SCREW -(Intake Manifold)
90	392806		CARBURETOR -(Remote Choke) -Used Before Code Date 79091812
90	394338		CARBURETOR -(Remote Choke) -Used After Code Date 79091712
91	393297		BODY, Upper Carburetor
92	393293		BODY, Upper Carburetor
93	231209		BUSHING, Throttle Shaft
94	292681		VALVE, Idle Mixture -Included in Carburetor Overhaul Kit-Part No. 394502
95	93499		SCREW -(Throttle Valve)
96	221939		VALVE, Throttle
97	392672		SHAFT, Throttle
98	91920		SCREW -(8-32 X 5/8)
99	26157		SPRING, Compression
102	271008		GASKET, Carburetor Body -Included in Gasket Set-Part No. 394501
103	298514		FLOAT, Carburetor
104	230896		PIN, Float Hinge -Included in Carburetor Overhaul Kit-Part No. 394502
105	299096		KIT, Needle/Seat -Included in Carburetor Overhaul Kit-Part No. 394502
107	393286		BODY, Lower Carburetor -Used Before Code Date 79091812
107	394352		BODY, Lower Carburetor -Used After Code Date 79091712
108	222010		VALVE, Choke
109	392673		SHAFT, Choke
111	26155		SPRING, Friction
116	65978		SEAL, O-Ring -(Needle Valve) Included in Carburetor Overhaul Kit-Part No. 394502
119	93496		SCREW -(10-32 X 5/8)
121	393301		KIT, Carburetor Overhaul -Used Before Code Date 79031900
121	394502		KIT, Carburetor Overhaul
161	222752		BASE, Air Cleaner
171	93715		NUT -(Starter Terminal)
201	261444		LINK, Choke
202	261460		LINK, Throttle -Used Before Code Date 79091812



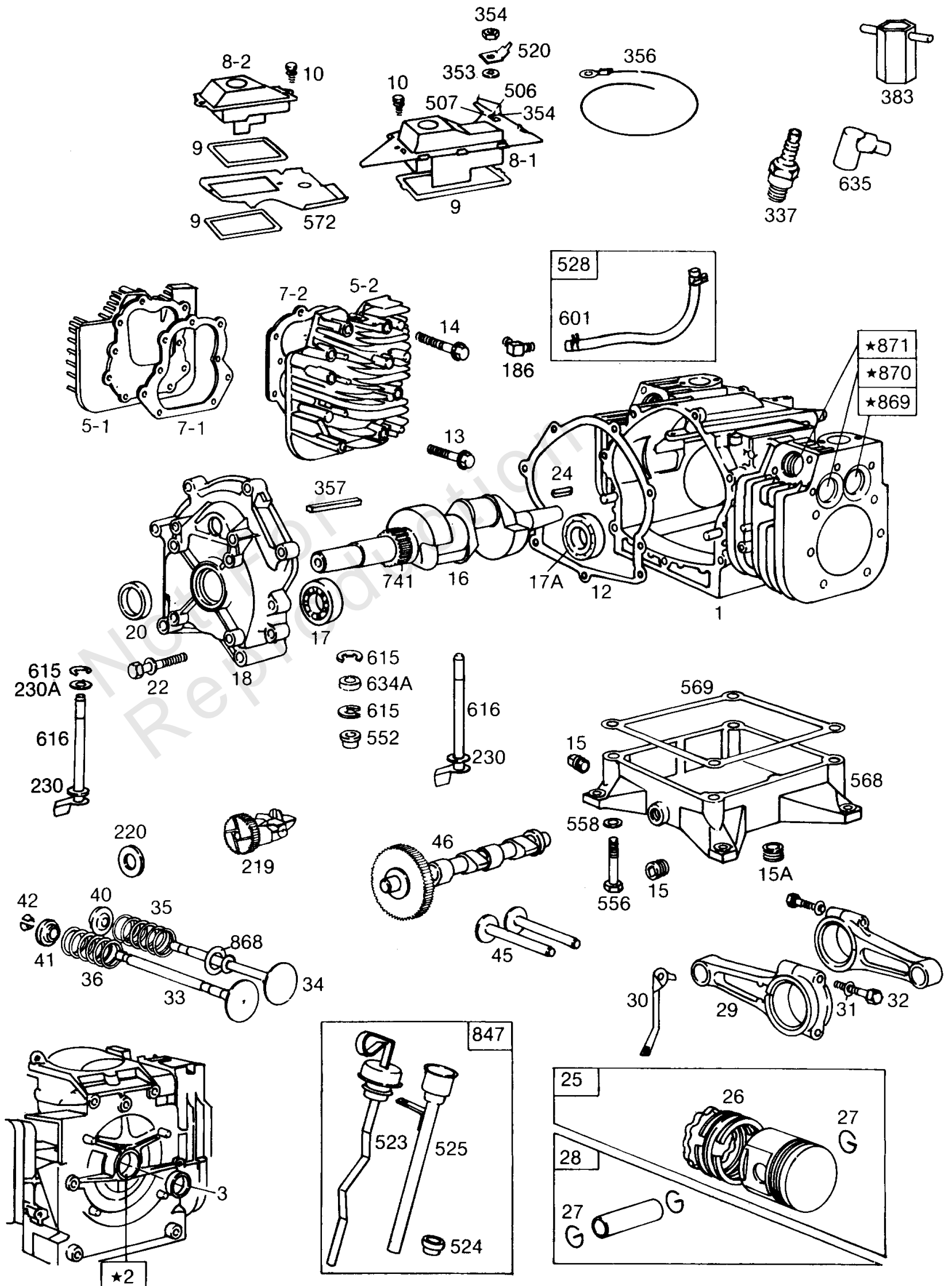
Carburetor Assy,Manifold,A/C

REF NO	PART NO	QTY	DESCRIPTION
202	261531		LINK, Throttle -Used After Code Date 79091712
206	21772		NUT, Governor Adjusting
208	231191		ROD, Governor Control -Uses: 261577 Spring-Control Rod
209A	261487		SPRING, Governor -(Idle) -Used Before Code Date 79091812
209A	261563		SPRING, Governor -(Idle) -Used After Code Date 79091712
209	261446		SPRING, Governor
216	261511		ROD, Choke
222	222807		BRACKET, Control
223A	394324		BRACKET, Governor Control -Used After Code Date 79091712
223A	392933		BRACKET, Governor Control -Used Before Code Date 79091812
223	222828		LEVER, Speed Adjuster
227	392943		LEVER, Governor Control -Used Before Code Date 79091812
227	393846		LEVER, Governor Control -Used After Code Date 79091712
229	222289		WASHER
257	93897		SCREW
258	93868		SCREW -(Aluminum Manifold)
265	221535		CLAMP, Casing -(Stamped Steel)
284A	93893		SCREW
284	93892		SCREW
344	93042		SCREW
358	393278		GASKET SET, Engine
370A	66432		WASHER
370	231172		BUSHING, Lever
387	280197		BODY, Fuel Pump
392	261395		SPRING, Pump Diaphragm -Included in Carburetor Overhaul Kit-Part No. 394502 and Pump Repair Kit-Part No. 393397
394	270988		DIAPHRAGM, Carburetor -Included in Carburetor Overhaul Kit-Part No. 394502 and Pump Repair Kit-Part No. 393397
432	221377		CAP, Spring -Included in Carburetor Overhaul Kit-Part No. 394502 and Pump Repair Kit-Part No. 393397
434	222615		COVER, Diaphragm
435	93829		SCREW
445	392642		FILTER, A/C Cartridge
467	212292		KNOB, Air Cleaner Cover
535	270998		FILTER, Air Cleaner Foam
537	271014		GASKET, Air Cleaner -Included in Carburetor Overhaul Kit-Part No. 394502
539	221372		CLIP, Control Rod
542	92484		SCREW
549	271180		WASHER
562	93853		BOLT -(Governor Lever)



Carburetor Assy,Manifold,A/C

REF NO	PART NO	QTY	DESCRIPTION
592	92278		NUT -(Starting Switch)
634	271013		WASHER, Sealing -(Foam) Included in Carburetor Overhaul Kit-Part No. 394502
642	222753		COVER, Air Cleaner
643	222835		RETAINER, Air Filter
657	93496		SCREW -(10-32 X 5/8)
681	393298		KIT, Needle Valve -Used Before Code Date 79030112
681	394033		VALVE, Idle Mixture -Included in Carburetor Overhaul Kit-Part No. 394502
858	270989		DIAPHRAGM, Carburetor -Included in Carburetor Overhaul Kit-Part No. 394502 and Pump Repair Kit-Part No. 393397
859	271025		GASKET, Carburetor Pump -Included in Carburetor Overhaul Kit-Part No. 394502 and Pump Repair Kit-Part No. 393397
860	261358		SPRING, Valve -Included in Carburetor Overhaul Kit-Part No. 394502 and Pump Repair Kit-Part No. 393397
861	393397		KIT, Fuel Pump -(Used On 3 Screw Fuel Pump Mount Carburetors)
862	392643		STRAP/STUD, Air Cleaner Mounting



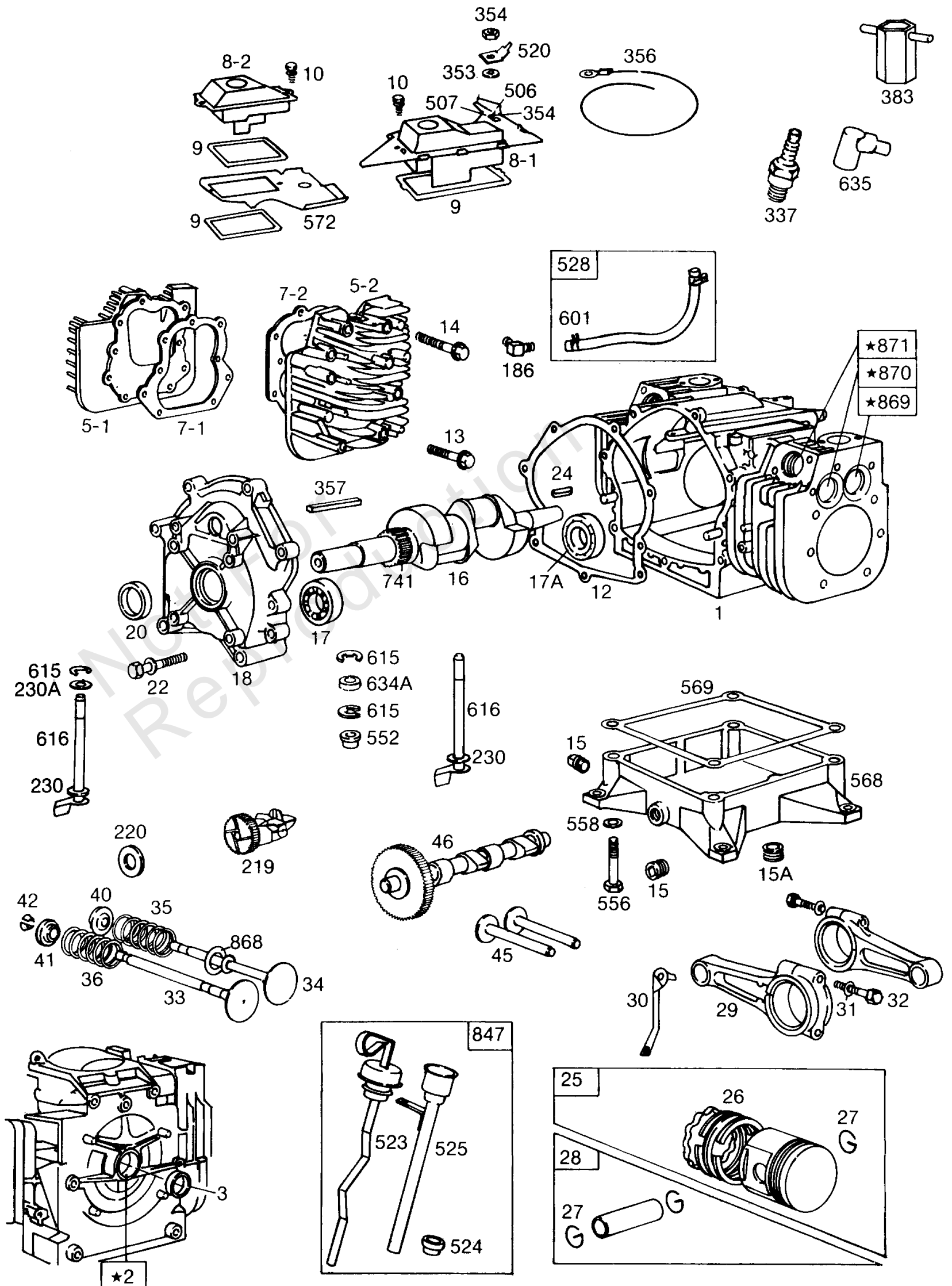
4014-1 *SPECIAL TOOLS REQUIRED TO INSTALL - SEE REPAIR INSTRUCTION MANUAL

Cylinder, Cylinder Heads, Sump

REF NO	PART NO	QTY	DESCRIPTION
1	393274		CYLINDER ASSEMBLY -Used Before Code Date 79091812
1	394351		CYLINDER ASSEMBLY -Used After Code Date 79091712 and Before Code Date 80072812
1	394573		CYLINDER ASSEMBLY -Used After Code Date 80072712
1	394900		CYLINDER ASSEMBLY
2	261623		KIT, Bushing/Seal -Used on 394900 Cylinder Assy. Only.
3	391086		SEAL, Oil -(Magneto Side)
5-2	212462		HEAD, Cylinder -(Cylinder 2)
5-2	212180		HEAD, Cylinder -Used Before Code Date 79091712
5-1	212461		HEAD, Cylinder -(Cylinder 1)
5-1	212179		HEAD, Cylinder -Used Before Code Date 79091712
7-2	270983		GASKET, Cylinder Head -(Cylinder 2) Included in Gasket Set-Part No. 394501
7-1	270984		GASKET, Cylinder Head -(Cylinder 1) Included in Gasket Set-Part No. 394501
8-2	393153		BREATHER ASSEMBLY -(Cylinder 2)
8-1	393243		BREATHER ASSEMBLY -(#1)
9	27803		GASKET, Rocker Cover -Included in Gasket Set-Part No. 394501
10	93394		SCREW
12	270982		GASKET, Crankcase -(1/64) Included in Gasket Set-Part No. 394501
12	271145		GASKET, Crankcase -(.005) Included in Gasket Set-Part No. 394501
12	271146		GASKET, Crankcase -(.009) Included in Gasket Set-Part No. 394501
13	93111		SCREW -(15/16)
13	93772		STUD -(15/16)
14	93113		SCREW -(2 5/16) (2-5/16)
14	93583		STUD -(Cylinder Head)
15A	93448		PLUG, Oil Drain -(Flush) (1/4-18 NPTF) (Flush) (1/4 18 NPTF)
15	91084		PLUG, Oil Drain -(3/8)
16	392976		CRANKSHAFT
17A	393980		BEARING, Ball -(Magneto Side)
17	393741		BEARING, Ball -(PTO Side)
18	393272		COVER, Crankcase -Used Before Code Date 79121012
18	394420		COVER, Crankcase -(Plain Bearing) -Used After Code Date 79120912

Footnotes:

Uses: 393606 Seal Assy. and Retainer (Ref. No. 868)



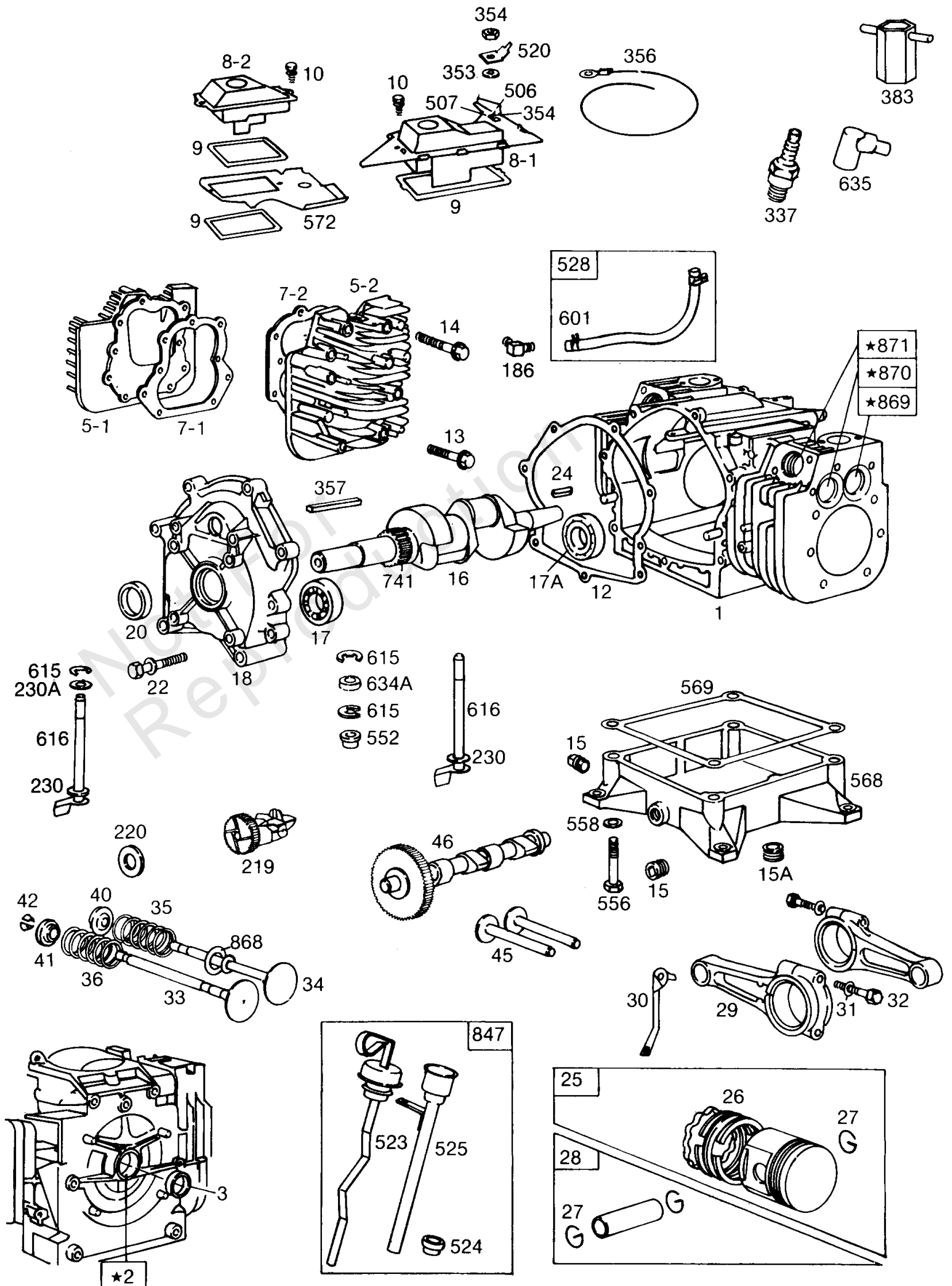
4014-1 *SPECIAL TOOLS REQUIRED TO INSTALL - SEE REPAIR INSTRUCTION MANUAL

Cylinder, Cylinder Heads, Sump

REF NO	PART NO	QTY	DESCRIPTION
20	291675		SEAL, Oil -(Crankcase Cover)
22	93847		SCREW -(Fuel Tank) (Tank)
24	222698		KEY, Flywheel
24	61760		KEY, Flywheel -(Breaker Ignition)
25	393271		PISTON ASSEMBLY -(Standard)
25	393343		PISTON ASSEMBLY -(.010 Oversize)
25	393344		PISTON ASSEMBLY -(.020 Oversize)
25	393345		PISTON ASSEMBLY -(.030 Oversize)
26	393277		SET, Ring -(Standard)
26	393340		SET, Ring -(.010 Oversize)
26	393341		SET, Ring -(.020 Oversize)
26	393342		SET, Ring -(.030 Oversize)
27	260924		LOCK, Piston Pin
28	299691		PIN, Piston -(Standard)
28	391286		PIN, Piston -(.005 Oversize)
29	393270		ROD, Connecting -For Connecting Rod with .020 Undersize Crankpin Bore-Order No. 393714
30	222480		DIPPER, Connecting Rod
31	220863		WASHER -(1/4 X 5/8 X 1/32) (1/4 X 5/8 X 1/32)
32	92909		SCREW
33	390420		VALVE, Exhaust -(Includes Retainer(s))
34	261055		VALVE, Intake -Used Before Code Date 80072812
34	261528		VALVE, Intake
35	65906		SPRING, Valve -(Intake)
36	26828		SPRING, Valve -(Exhaust)
40	221596		RETAINER, Valve -(Valves With Groove In Stem)
41	292260		RETAINER, Valve -(Exhaust Valve) (Exhaust)
42	93630		KEEPER, Valve -(2)
45	261368		TAPPET, Valve
46	212173		CAMSHAFT -Used Before Code Date 79091712
46	212337		CAMSHAFT -(Used with Electronic Ignition)
46	212415		CAMSHAFT -(Used only with Cyl. Hds. 212461 & 212462)

Footnotes:

Uses: 393606 Seal Assy. and Retainer (Ref. No. 868)



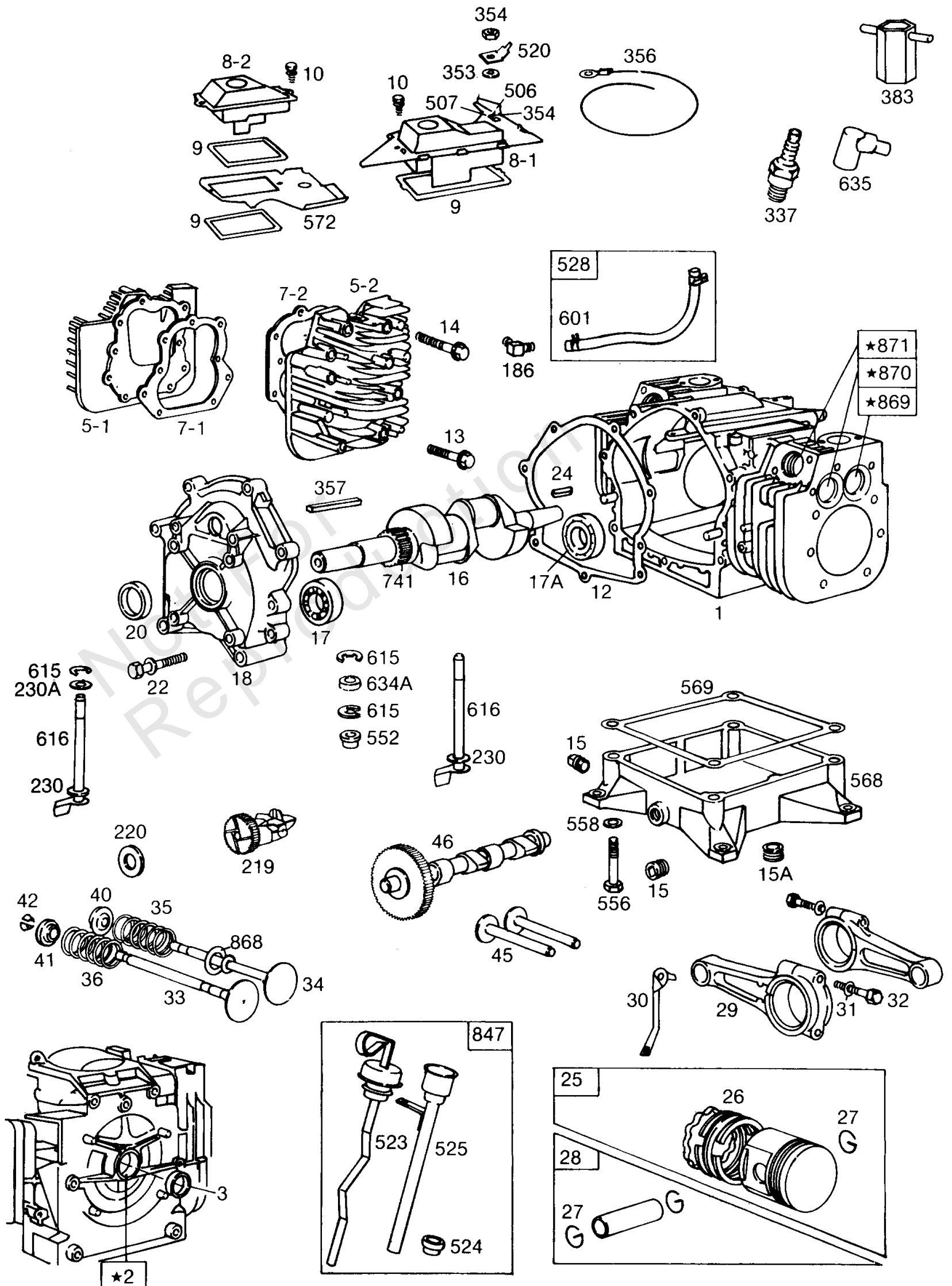
4014-1 ★SPECIAL TOOLS REQUIRED TO INSTALL - SEE REPAIR INSTRUCTION MANUAL

Cylinder, Cylinder Heads, Sump

REF NO	PART NO	QTY	DESCRIPTION
186	67218		CONNECTOR, Hose
219	393273		GEAR, Governor -Used Before Code Date 79091812
219	394348		GEAR, Governor -Used After Code Date 79091712
220	222773		WASHER, Thrust
230A	93852		WASHER -Used Before Code Date 79091812
230	220863		WASHER -(1/4 X 5/8 X 1/32) (1/4 X 5/8 X 1/32)
337	394539		PLUG, Spark -(Resistor)
353	92791		WASHER
354	90576		NUT -(Ground Terminal)
356	391115		WIRE, Stop
356	393035		WIRE, Stop
357	91540		KEY, Drive Pulley -(1/4)
383	89838		WRENCH, Spark Plug
506	231174		TERMINAL, Ground
507	280180		INSULATOR
520	93722		TERMINAL, Ground
523	392781		DIPSTICK
524	68838		SEAL, O-Ring -(Dipstick Tube)
525	392782		TUBE, Dipstick
528	393244		HOSE, Vacuum -(Impulse) (9 long-old style) Std 4 1/2 long
552	261559		BUSHING, Governor Crank -(Lower)
556	93783		SCREW
558	92268		WASHER -(3/8 X 1/8 X 3/32)
568	393559		SUMP, Engine
569	270981		GASKET, Crankcase -Included in Gasket Set-Part No. 394501
572	222700		GUIDE, Air -(Cylinder 2)
601	93053		CLAMP, Hose -(Green)
615	93851		RETAINER, E Ring
616	393309		CRANK, Governor -Used Before Code Date 79091812
616	394396		CRANK, Governor -Used After Code Date 79091712
634A	271316		SEAL, Governor Shaft -(Foam)
635	66538		BOOT, Spark Plug
741	261363		GEAR, Timing -(Pin)
847	393031		DIPSTICK/TUBE ASSEMBLY
868	393279		SEAT, Valve
869	211661		SEAT, Valve -Used Before Code Date 80072812

Footnotes:

Uses: 393606 Seal Assy. and Retainer (Ref. No. 868)



4014-1 ★SPECIAL TOOLS REQUIRED TO INSTALL - SEE REPAIR INSTRUCTION MANUAL

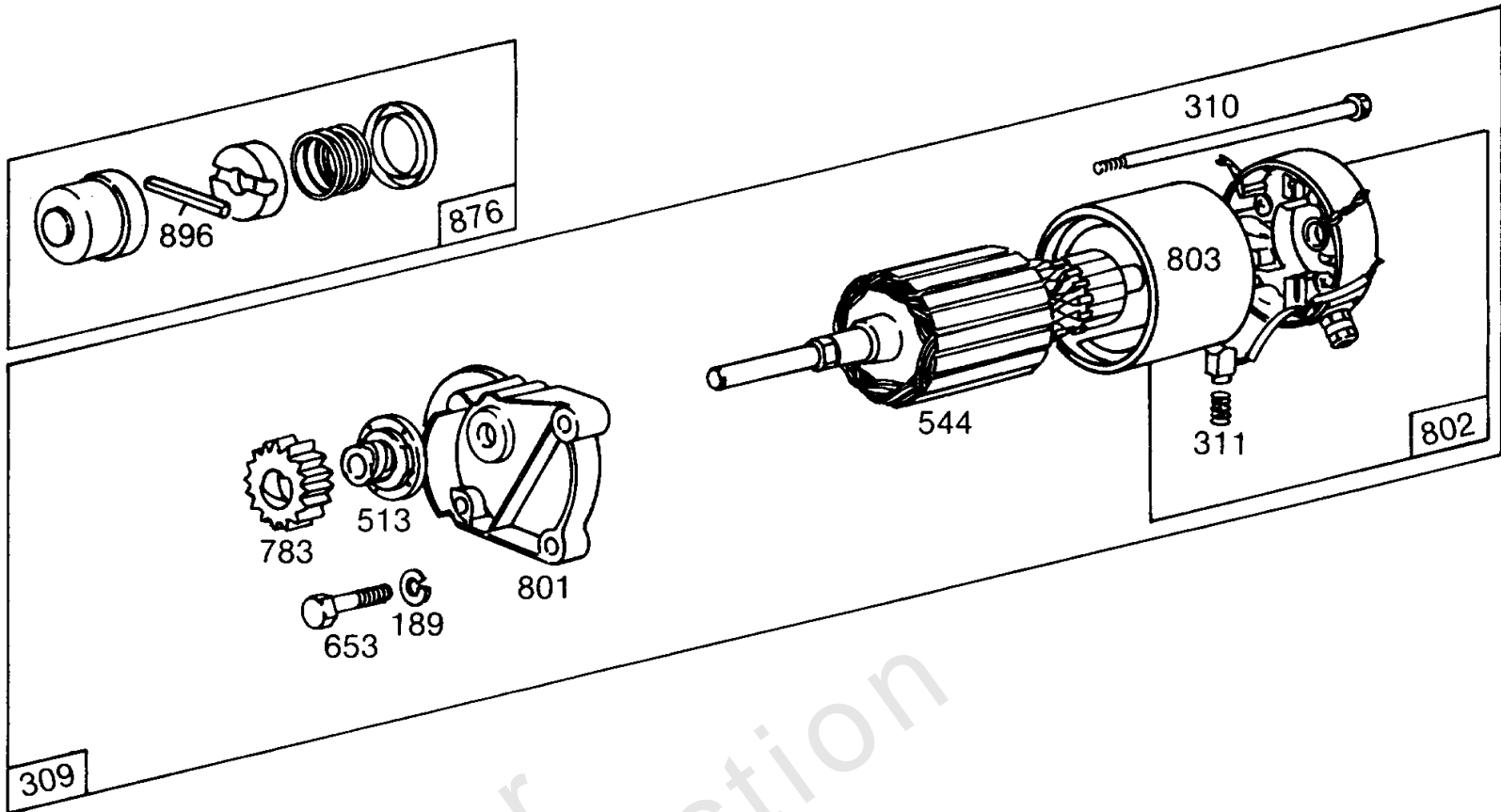
Cylinder, Cylinder Heads, Sump

REF NO	PART NO	QTY	DESCRIPTION
869	261463		SEAT, Valve -(Intake)
870	210940		SEAT, Valve -(Exhaust) (Standard)
871	-----		No Nomenclature -231218 or 230655 See Repair Manual

Not For
Reproduction

Footnotes:

Uses: 393606 Seal Assy. and Retainer (Ref. No. 868)



Not For
Reproduction

Subject		Ref. No. 309	Ref. No. 310	Ref. No. 311	Ref. No. 801	Ref. No. 802	Ref. No. 803
Starter Motor Manufacturer		Motor and Drive Assy.	Thru Bolt	Brush Assembly	End Cap Assy. Drive	End Cap Assy. Commutator	Housing Assembly
Briggs & Stratton	Housing Length						
†12 V	3"	393017	93887	391705	393009	394674	392744*
12 V	3-5/8"	394808	94003	395538	394860	395537	393825

Subject		Ref. No. 513	Ref. No. 544	Ref. No. 783	Ref. No. 876	Ref. No. 896
Starter Motor Manufacturer		Clutch Assembly	Armature Assembly	Gear	Pinion Spring Kit	Roll Pin
Briggs & Stratton						
12 V		391135	392747	280104	393254	93754

NOTE: Style Identification of 12 volt motors.

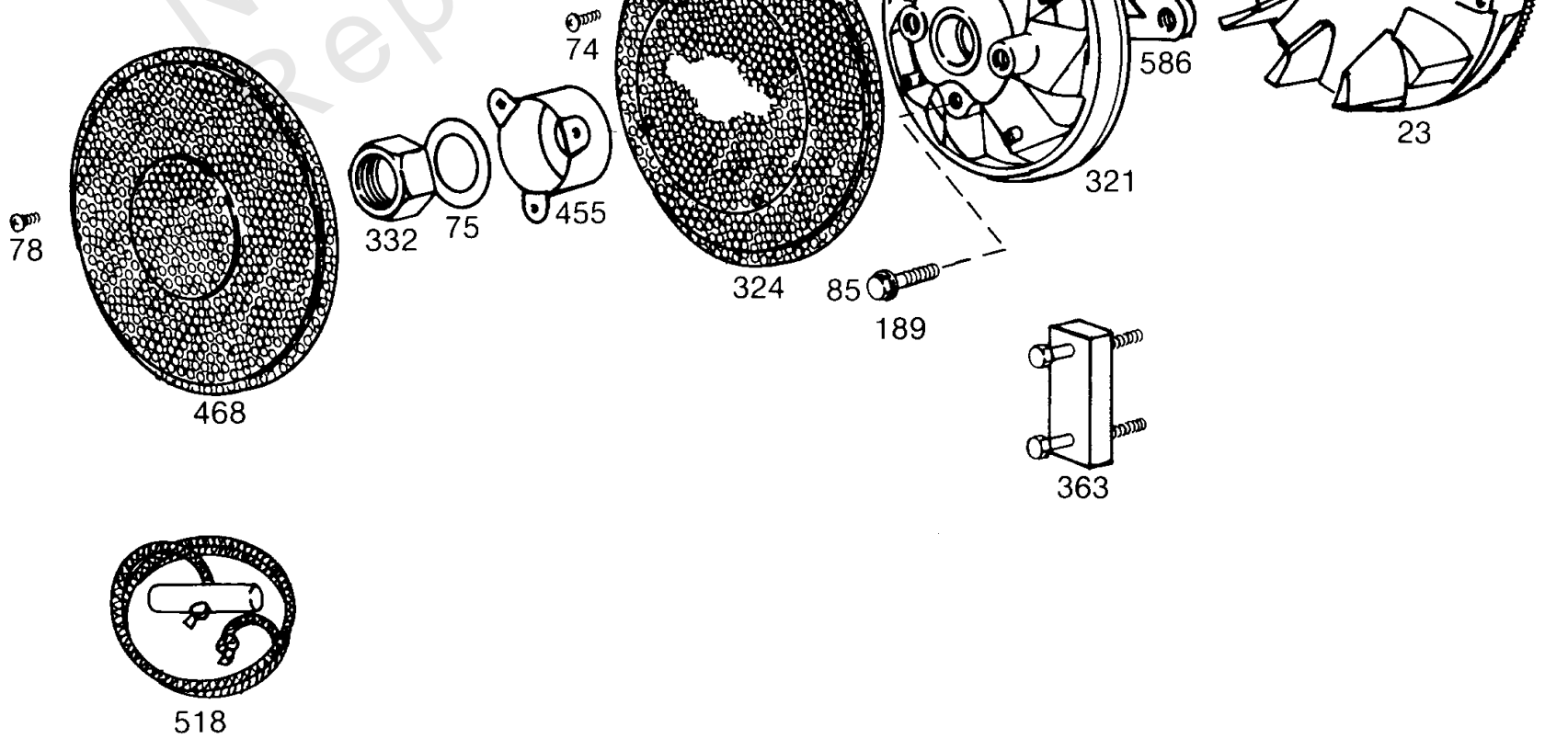
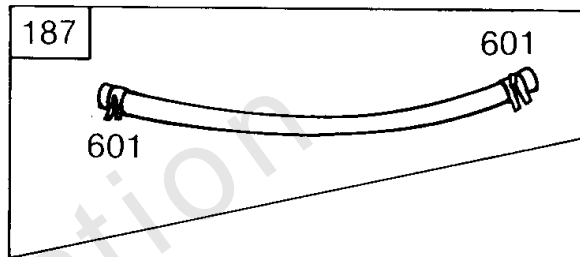
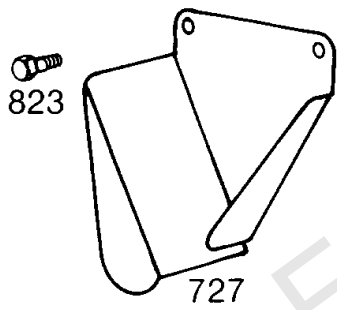
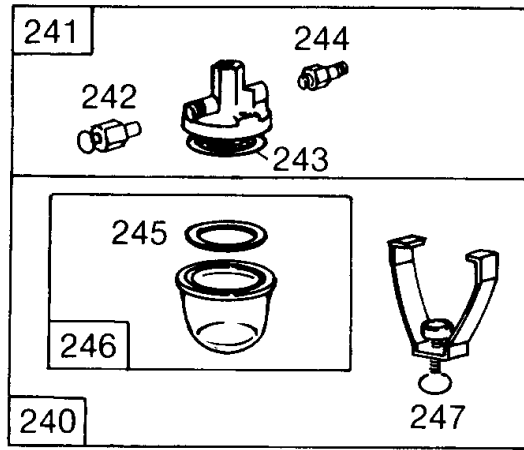
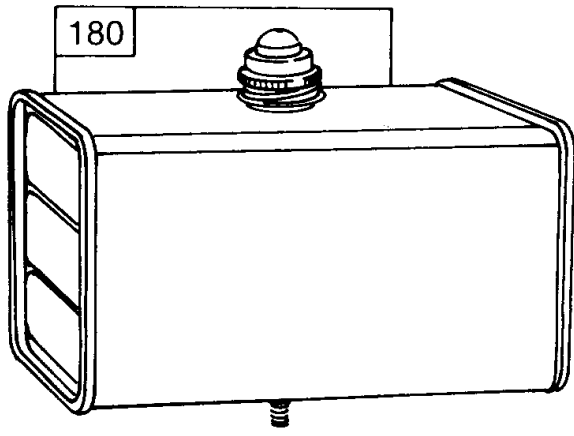
NEW STYLE: Thru bolt heads are located on the drive end head.

†**OLD STYLE:** Brush end head is 13/16" wide.

*Part Not Available, Use 394808 Starter Motor Assembly.

Electric Starter and Chart

REF NO	PART NO	QTY	DESCRIPTION
189	90366		WASHER
309	393017		MOTOR, Starter -(3 Housing) (Briggs & Stratton 12V) OLD STYLE: Brush end head is 13/16 wide.
309	394808		MOTOR, Starter -(3 5/8 Housing)
310	93887		SCREW -(3 Housing) (Briggs & Stratton 12V) OLD STYLE: Brush end head is 13/16 wide.
310	94003		SCREW -(3 5/8 Housing)
311	391705		SET, Brush -(3 1/16 Housing) OLD STYLE: Brush end head is 13/16 wide.
311	395538		SET, Brush -(3-5/8 or 4 3/8 Housing)
513	391135		CLUTCH, Starter
544	392747		ARMATURE, Starter -(3 21/32 Housing)
653	91162		SCREW -(5/16-18 X 1-1/2)
783	280104		GEAR, Pinion -(Briggs & Stratton 12V)
801	393009		CAP, Drive -(3 Housing) (Briggs & Stratton 12V) OLD STYLE: Brush end head is 13/16 wide
801	394860		CAP, End -(3-5/8 or 4 1/2 Housing)
802	394674		CAP, End -(3 Housing) (Briggs & Stratton 12V) OLD STYLE: Brush end head is 13/16 wide
802	395537		CAP, End -(3 5/8 Housing)
803	392744		HOUSING, Starter -(3 1/16 Housing)
803	393825		HOUSING, Starter -(3 5/8 Housing)
876	393254		DRIVE, Starter -(Briggs & Stratton 12V)
896	93754		PIN, Drive Retainer -(Briggs & Stratton 12V)



Fuel Tank, Flywheel, Screens

REF NO	PART NO	QTY	DESCRIPTION
23	392956		FLYWHEEL
74	93808		SCREW
75	222511		WASHER -(Spring)
78	93805		SCREW
85	92674		SCREW -(2-7/16)
186	67218		CONNECTOR, Hose
187	299146		LINE, Fuel -(Cut To Required Length)
189	90366		WASHER
240A	394358		FILTER, Fuel -(Fuel Pump)
240	295984		CARBURETOR -(Flexible Line)
241	296005		COVER, Fuel Filter
242	295913		VALVE, Fuel Shut Off
243	22547		STRAINER, Fuel
244	230318		CONNECTOR, Hose
245	68477		GASKET, Fuel Bowl
246	298683		BOWL, Fuel Filter
247	99665		YOKE, Bowl
321	212370		FAN, Booster -(8)
324	222872		SCREEN, Rotating
332	230674		NUT
363	19203		PULLER, Flywheel
455	222674		CUP, Flywheel
468	222673		SCREEN, Rotating
518	69932		GRIP, Starter Rope
586	22906		RETAINER
601	93053		CLAMP, Hose -(Green)
726	391362		GEAR, Ring -(Includes Mounting Hardware)
727	222987		GUARD, Flywheel
823	93535		SCREW -(5/16-18 X 3/4)

Replacement Engine - US & Canada

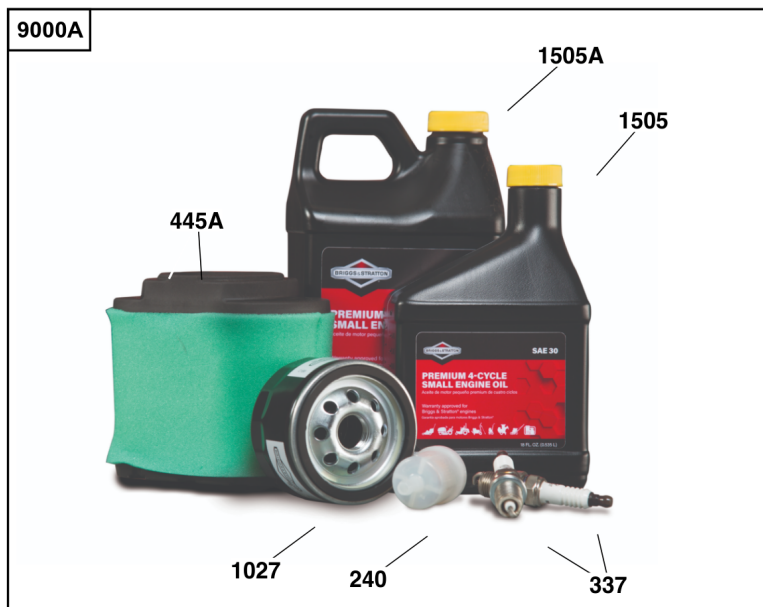
REF NO	PART NO	QTY	DESCRIPTION
-----			No engine replacement. Repair engine with individual parts.
-----			Top No-Load Speed: 3400 -Trim: ALL
-----			Service Note: For all Go-Karts use only a Model 136200 series engine as a replacement, regardless of the original Model.

Not For Reproduction



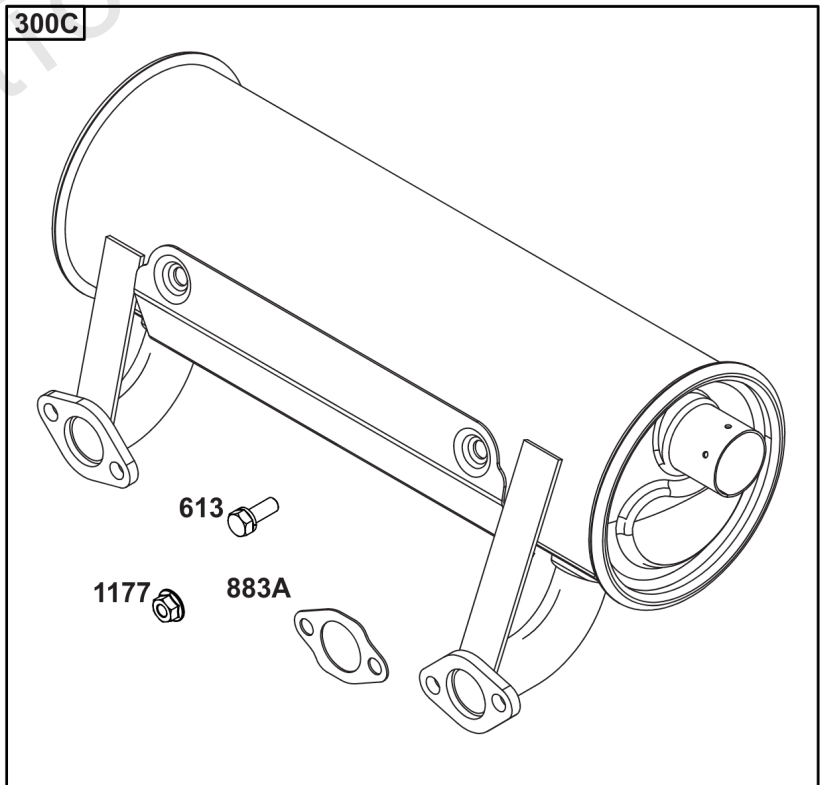
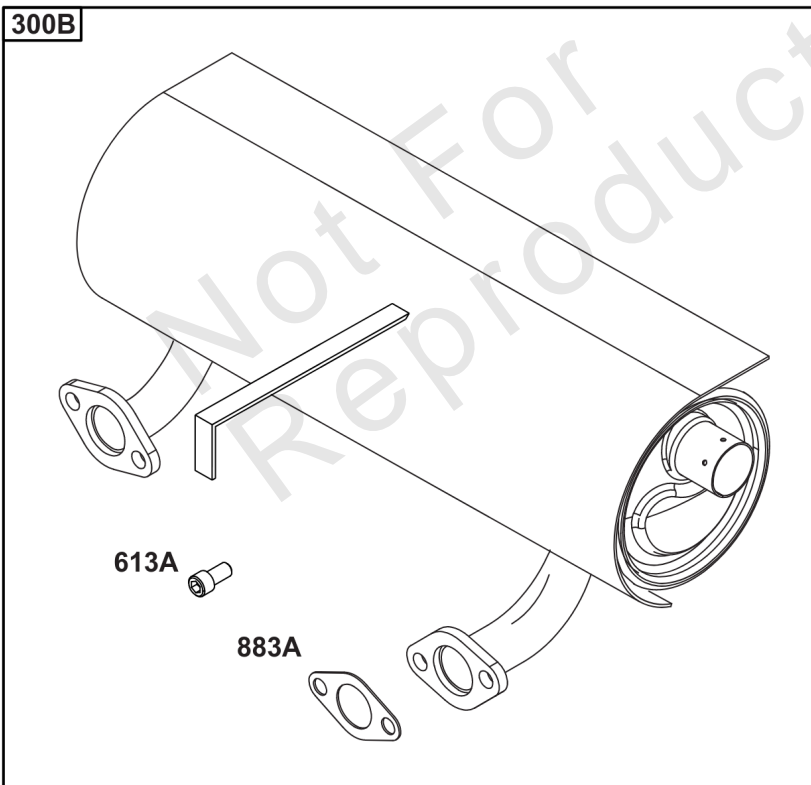
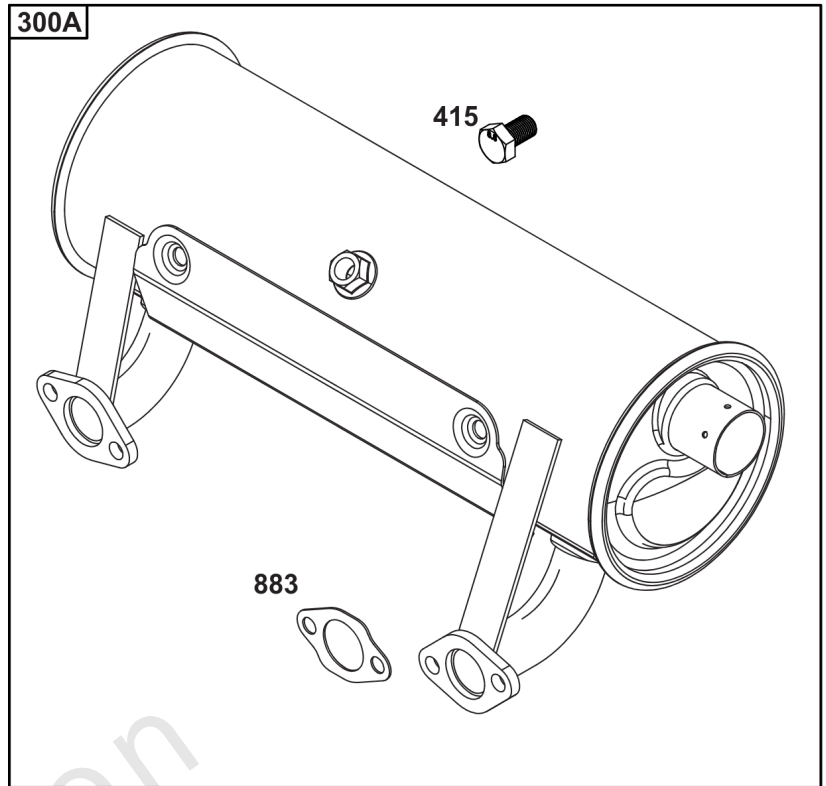
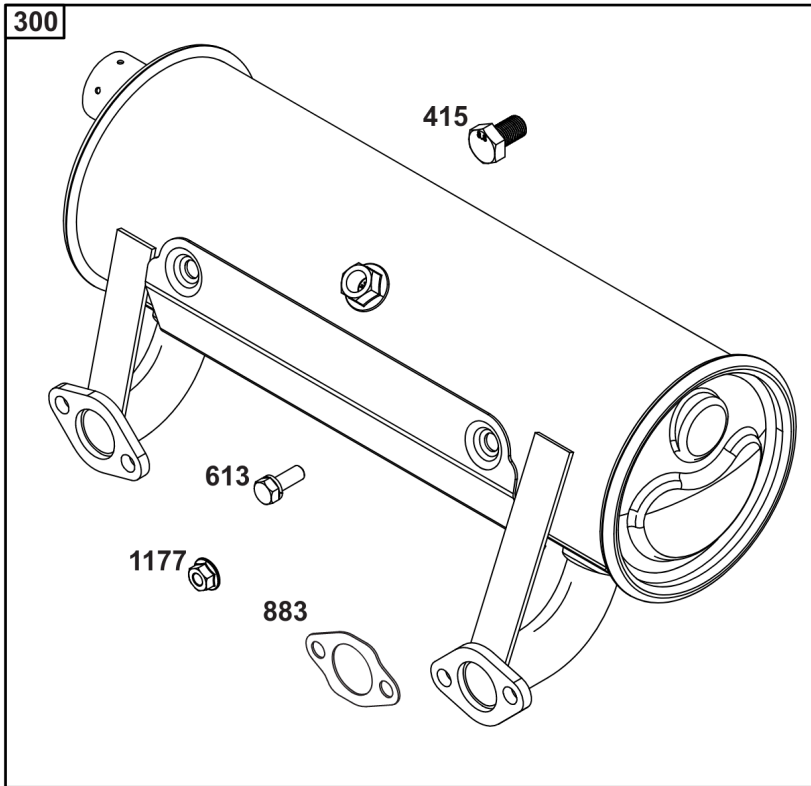
Model 40, 44 & 49 Engine Accessories Catalog

Not For
Reproduction



Maintenance Kits

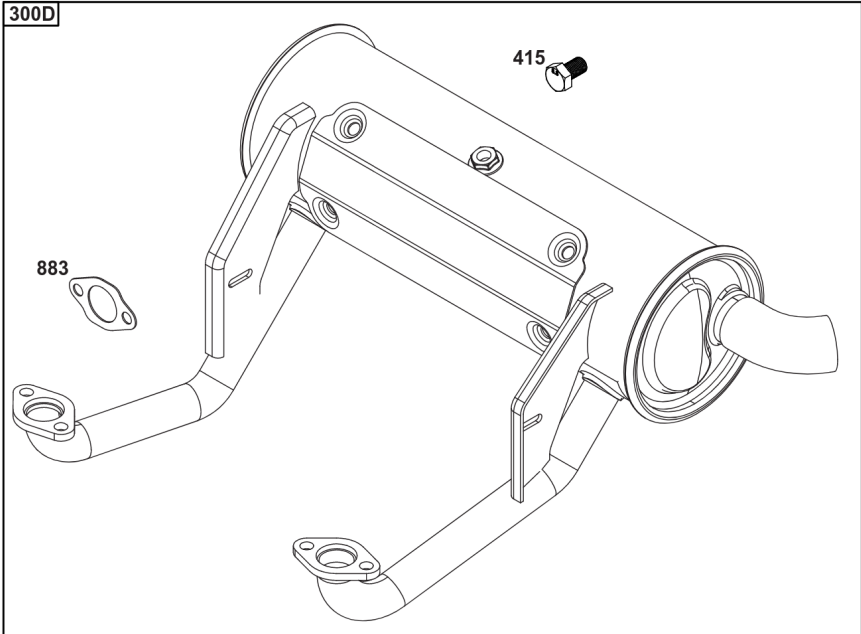
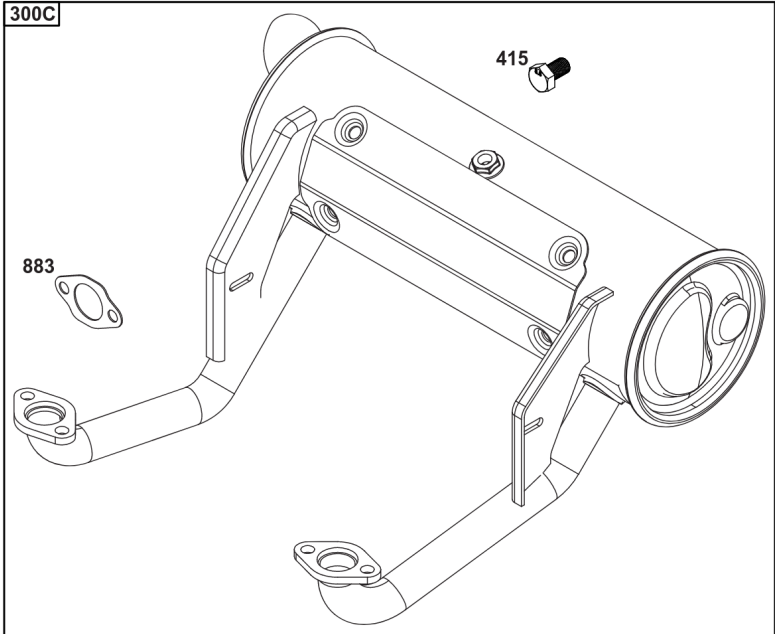
REF NO	PART NO	QTY	DESCRIPTION
9000	84002442		KIT, Maintenance -(Intek / EXi V-Twin Engines) (Do not use with Home Standby Generators.)
9000A	84002317		KIT, Maintenance -(Professional Series™ V-Twin Engines) (Do not use with Home Standby Generators.)
9000B	84002316		KIT, Maintenance -(Commercial Series V-Twin Engines) (Do not use with Home Standby Generators.)
9000C	84002318		KIT, Maintenance -(Oil Guard™ Engines) (Do not use with Home Standby Generators.)
9000D	84002315		KIT, Maintenance -(Non-Oil Guard™ Engines) (Do not use with Home Standby Generators.)
240	84001895	1	FILTER, Fuel -(40 Micron)
240A	845125	1	FILTER, Fuel -(20 Micron)
337	491055S	2	PLUG, Spark
445	594201	1	FILTER, A/C Cartridge
445A	792105	1	FILTER, A/C Cartridge
445B	798897	1	FILTER, A/C Cartridge
445C	841497	1	FILTER, A/C Cartridge
967	797704	1	FILTER, Pre Cleaner
1027	492932S	1	FILTER, Oil -(Standard)
1027A	696854	1	FILTER, Oil -(Premium)
1027B	842921	1	FILTER, Oil -(Vanguard®)
1027C	84007094	1	FILTER, OIL -(Oil Guard™)
1505	100005		OIL-4 CYCLE 30W 18OZ. -(18 oz. Bottle)
1505A	100028		OIL-4 CYCLE30W 48OZ -(48 oz. Bottle)
1505B	100170		OIL-5QT VANGUARD (CASE) -(5 qt. Bottle)
1505C	100169		OIL-1QT VANGUARD (CASE) -(1 qt. Bottle)



Engine Mounted Below Deck Mufflers

REF NO	PART NO	QTY	DESCRIPTION
300	594584	1	KIT-MUFFLER/GUARD -(Oil Filter Side Outlet) (Engine Supported) (O2 Sensor Port)
300A	593877	1	MUFFLER -(Starter Side Outlet) (Engine Supported) (O2 Sensor Port)
300B	594583	1	MUFFLER -(Starter Side Outlet) (Engine Supported) (No O2 Sensor Port)
300C	692120	1	MUFFLER -(Starter Side Outlet) (No O2 Sensor Port)
415	596859	1	PLUG -(O2 Sensor Port)
613	690341	4	SCREW -(Muffler)
613A	690363	4	SCREW -(Muffler)
883	594365	2	GASKET, Exhaust
883A	690970	2	GASKET, Exhaust
1177	690941	4	NUT -(Muffler)

Not For Reproduction



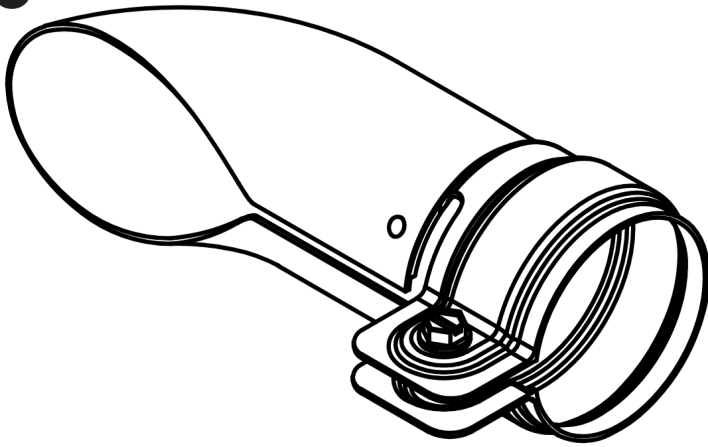
Not For
Reproduction

Engine Mounted Above Deck Mufflers

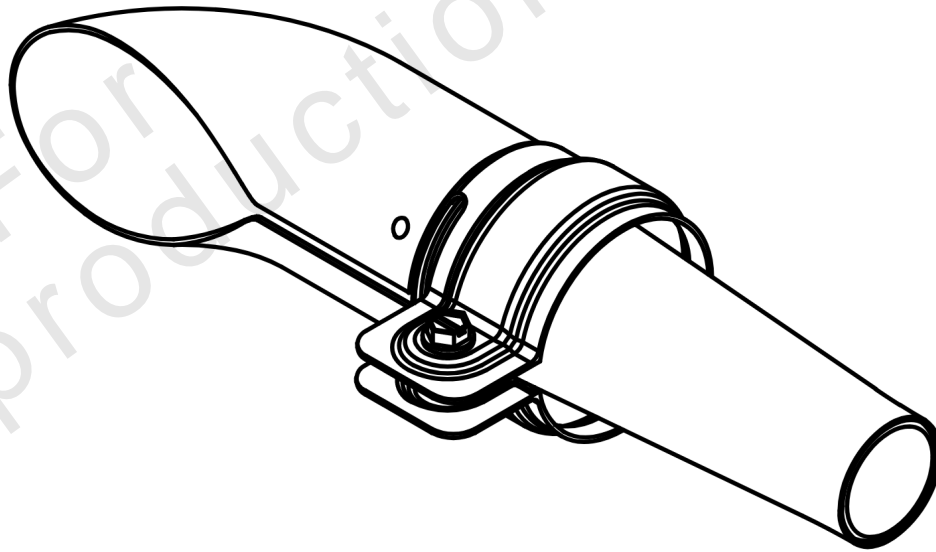
REF NO	PART NO	QTY	DESCRIPTION
300C	595138	1	MUFFLER -(Oil Filter Side Outlet) (Self-Supporting) (O2 Sensor Port)
300D	595139	1	MUFFLER -(Starter Side Outlet) (Self-Supporting) (O2 Sensor Port)
415	596859	1	PLUG -(O2 Sensor Port)
883	594365	2	GASKET, Exhaust

Not For Reproduction

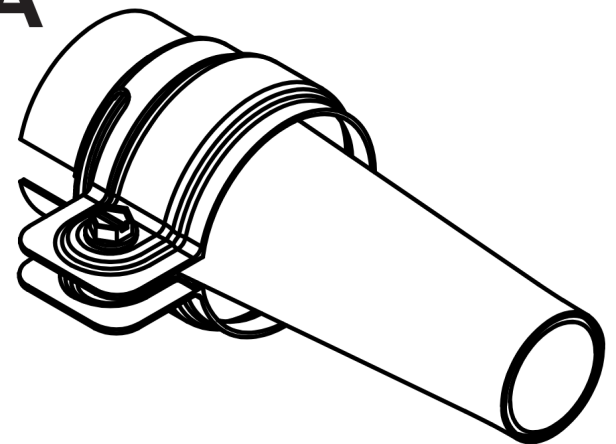
676



994



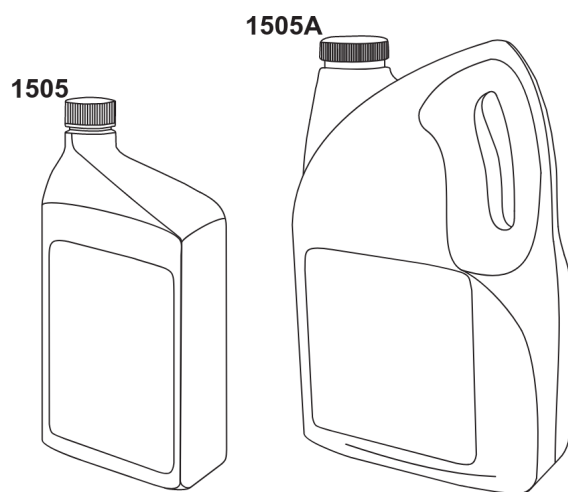
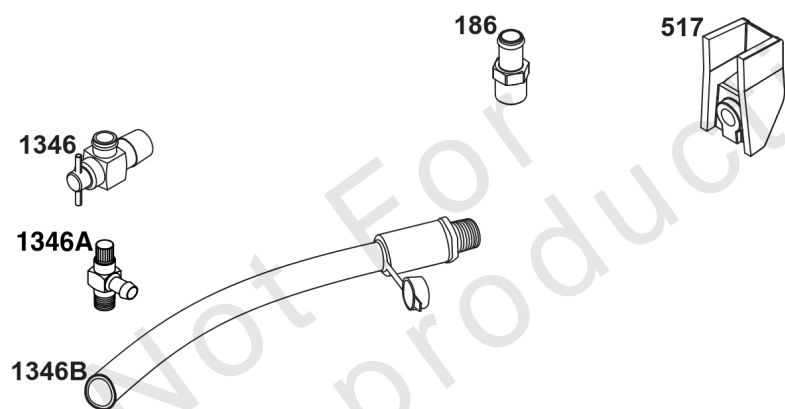
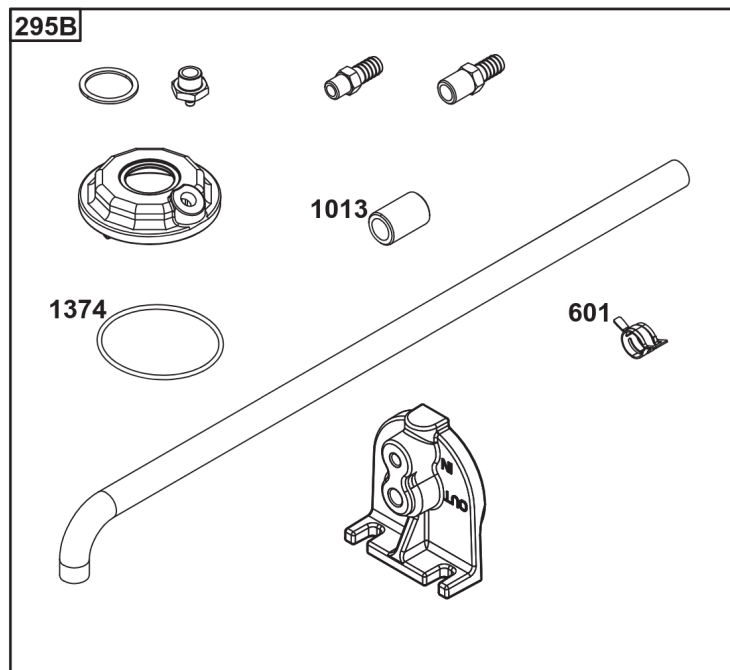
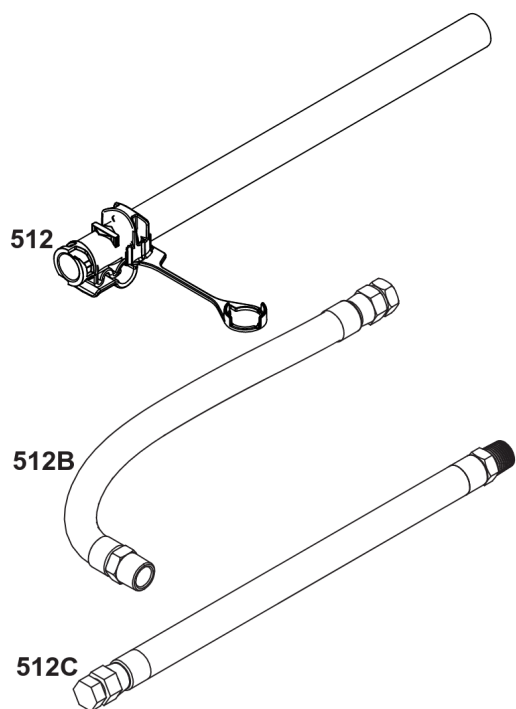
994A



Spark Arrester/Deflector

REF NO	PART NO	QTY	DESCRIPTION
676	593869	1	DEFLECTOR, Muffler -(For Below Deck Mufflers Only)
994	593885	1	ARRESTOR, Spark -(For Below Deck Mufflers Only)
994A	593868	1	ARRESTOR, Spark -(For Below Deck Mufflers Only)

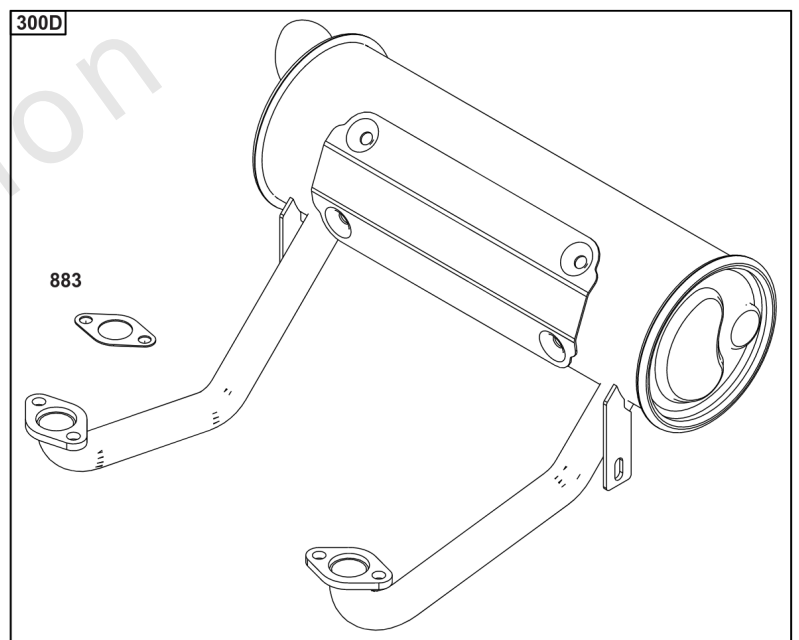
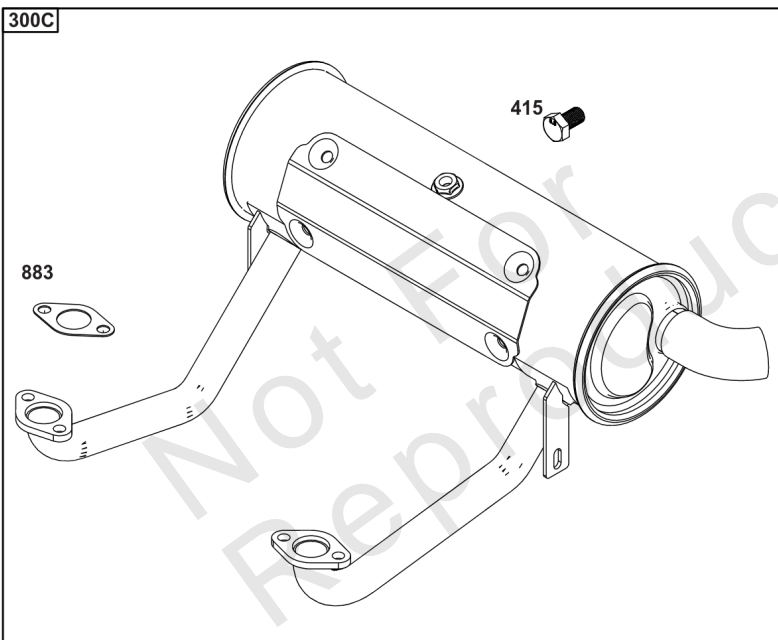
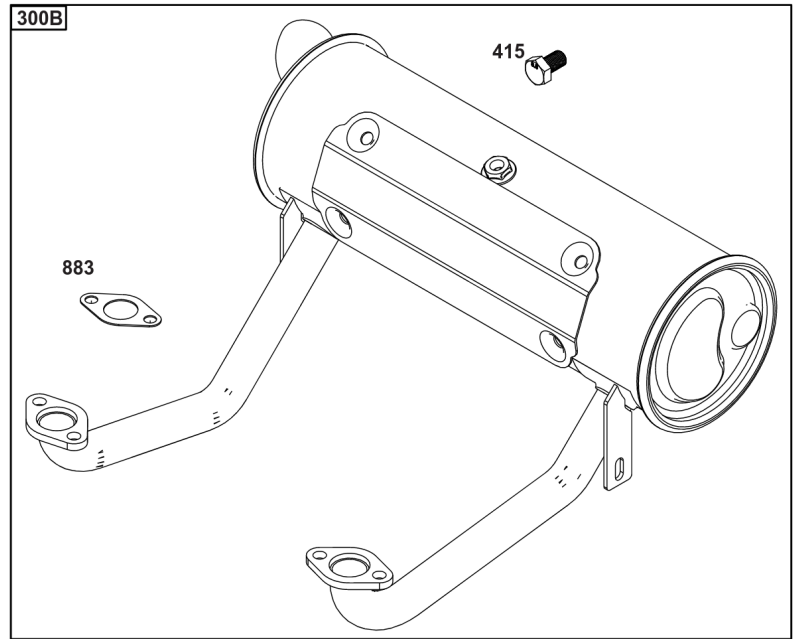
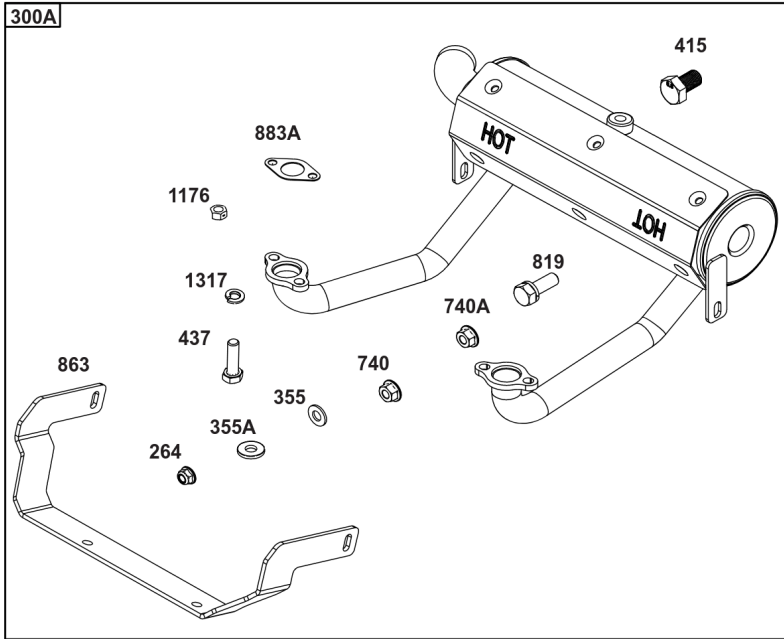
Not For Reproduction



Lubrication

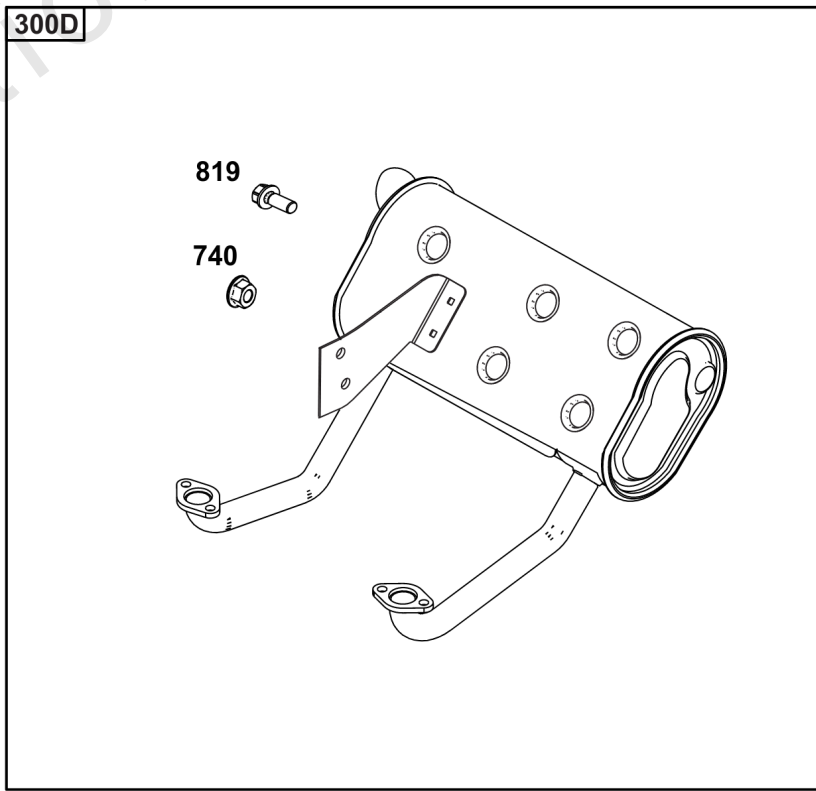
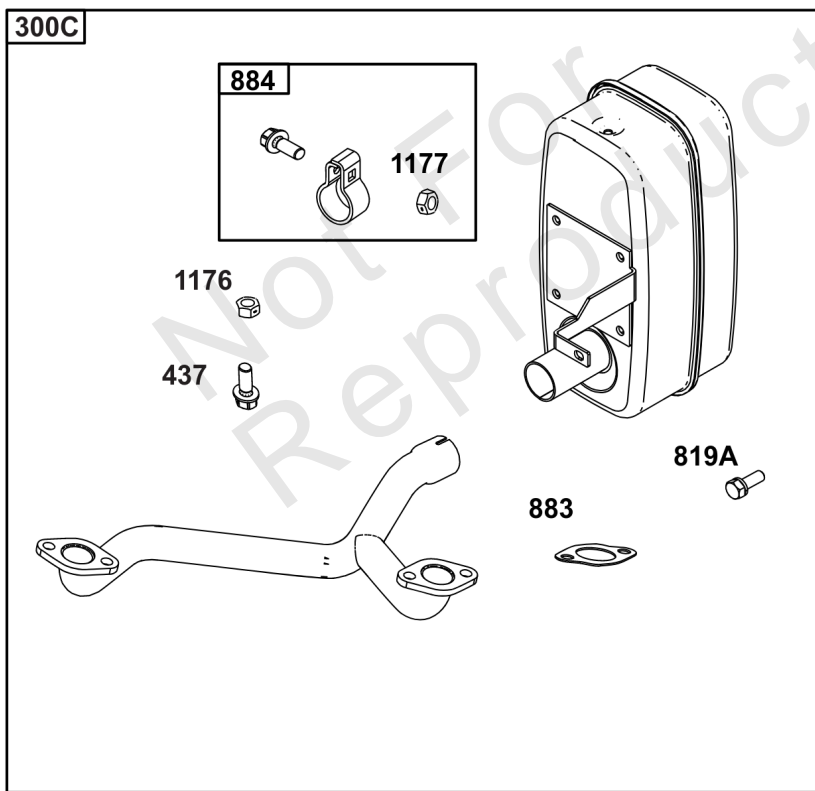
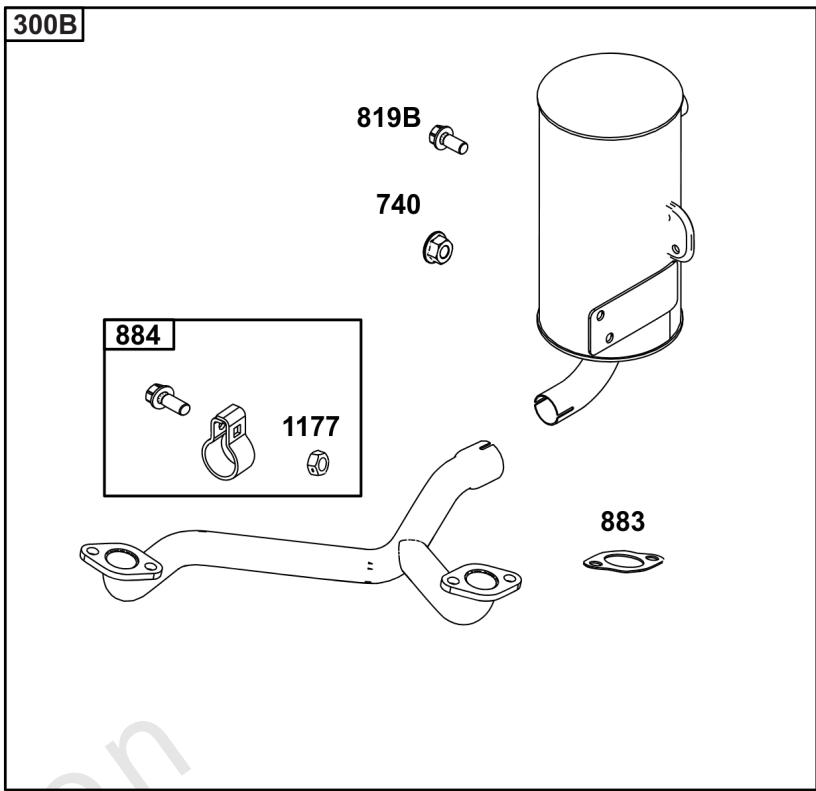
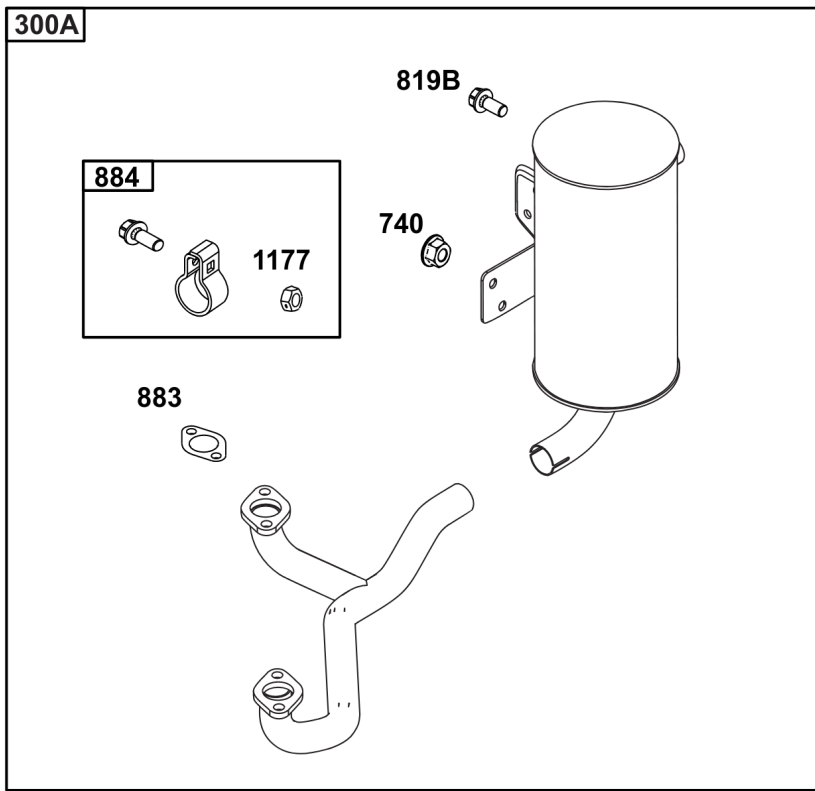
REF NO	PART NO	QTY	DESCRIPTION
186	796532	1	CONNECTOR, Hose -(Threaded Engine Block Connector for EZ-Oil Drain Hose) (Order hose separate)
239	690233	1	SWITCH, Oil Pressure -(2-4 PSI Normally-Closed Switch)
239A	491657S	1	SWITCH, Oil Pressure -(3-5 PSI Normally-Closed Switch)
239B	841281	1	SWITCH, Oil Pressure -(7-10 PSI Normally-Closed Switch)
239C	694115	1	SWITCH, Oil Pressure -(9-13 PSI Normally-Closed Switch)
239D	697049	1	SWITCH, Oil Pressure -(3-6 PSI Normally-Open Switch)
295B	594271	1	ADAPTER, Remote Oil Filter -(Remote Oil Filter Kit)
512	594200	1	HOSE, Oil Drain -(EZ-Oil Drain Hose, 10.5") (Order threaded engine block connector separate)
512	593635	1	HOSE, Oil Drain -(EZ-Oil Drain Hose, 13.75") (Order threaded engine block connector separate)
512B	1723165SM	1	HOSE, Oil Drain, 10-1/2" Long, 3/8-18 Fittings -(10.5")
512C	5048681SM	1	HOSE, OIL DRAIN -(12.5")
517	593633	1	RETAINER, Oil Drain
601	841597	4	CLAMP, Hose
1013	690954	1	NIPPLE, Oil Filter
1346	844802	1	VALVE, Oil Drain Shut Off
1346A	492031	1	VALVE, Oil Drain Shut Off
1346B	5401WEB	1	VALVE, Oil Drain Shut Off -(1/4 Turn Oil Drain Valve with Hose)
1374	796863	1	SEAL, O-Ring
1505	100169		OIL-1QT VANGUARD (CASE) -(1 qt. Bottle)
1505A	100170		OIL-5QT VANGUARD (CASE) -(5 qt. Bottle)

Implement Mounted Above Deck Mufflers



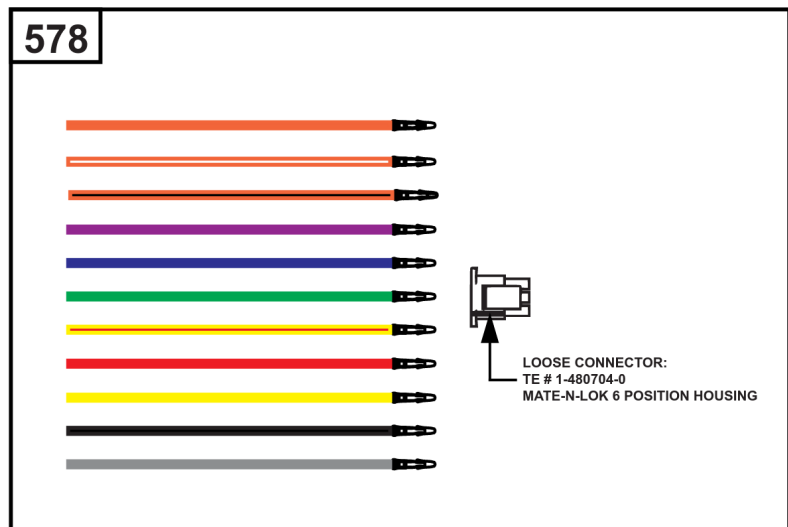
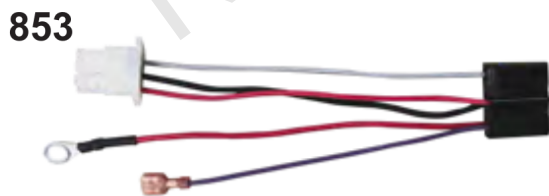
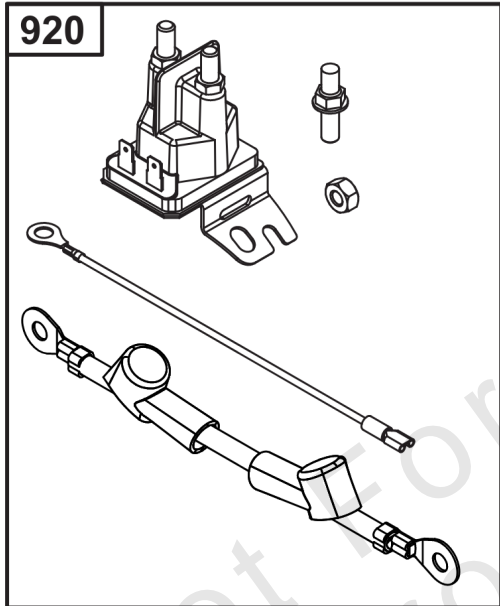
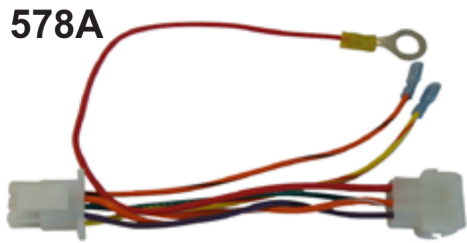
Implement Mounted Above Deck Mufflers

REF NO	PART NO	QTY	DESCRIPTION
300A	594585	1	MUFFLER -(Oil Filter Side Outlet) (Implement Supported) (O2 Sensor Port)
300B	595134	1	MUFFLER -(Oil Filter Side Outlet) (O2 Sensor Port)
300C	595135	1	MUFFLER -(Starter Side Outlet) (O2 Sensor Port)
300D	595136	1	MUFFLER -(Oil Filter Side Outlet)
264	703465	4	NUT, 5/16-18, GR5 -(Muffler Adapter)
355	5025292SM	4	WASHER, 5/16" GD.9 FL -(Muffler Bracket)
355A	5025155SM	2	WASHER, 5/16 -(Muffler Bracket)
415	596859	1	PLUG -(O2 Sensor Port)
437	703585	4	CAPSCREW, 5/16-18X1 -(Exhaust Manifold)
740	703164	2	NUT -(Muffler Bracket)
740A	703115	2	NUT -(Muffler Bracket)
819	690341	4	SCREW -(Muffler Bracket)
863	597480	1	BRACKET, Muffler
883	594365	2	GASKET, Exhaust
883A	690970	2	GASKET, Exhaust
1176	690941	4	NUT -(Exhaust Manifold)
1317	703116	4	LCKWSHR -(Exhaust Manifold)



Exhaust/Muffler Configurations

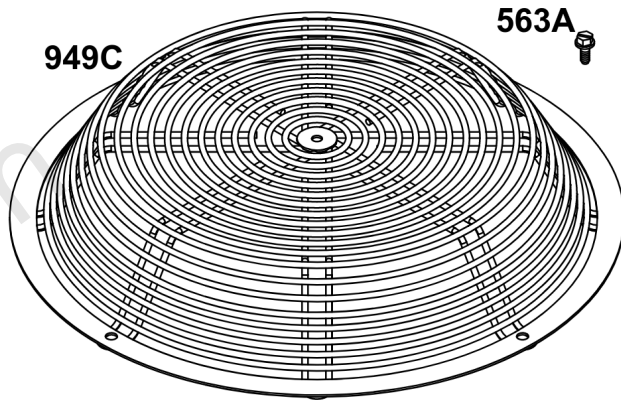
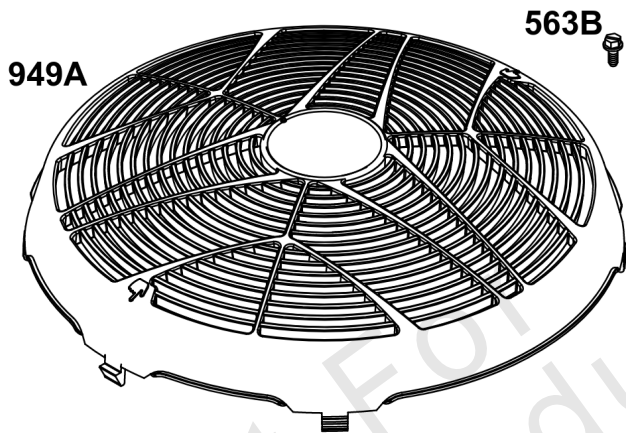
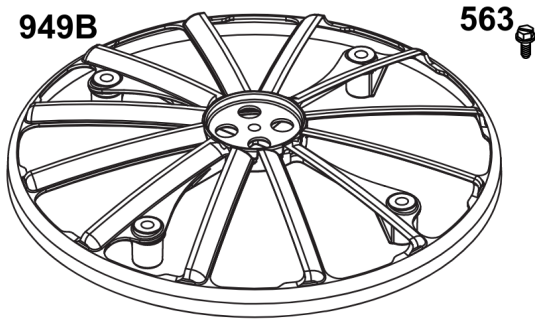
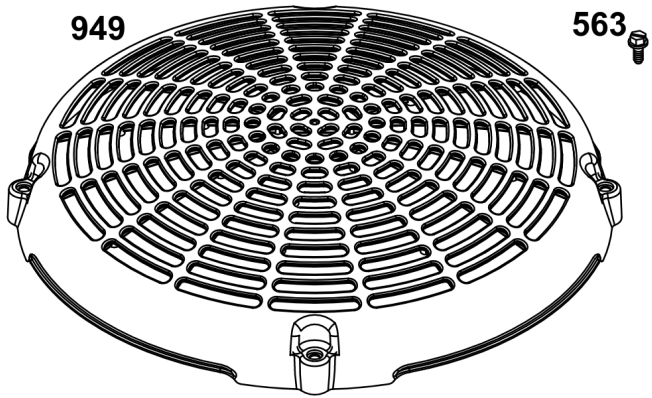
REF NO	PART NO	QTY	DESCRIPTION
300A	771127	1	MUFFLER -(Oil Filter Side Outlet)(Commercial & Professional Series)
300B	771128	1	MUFFLER -(Starter Side Outlet)(Commercial & Professional Series)
300C	595822	1	MUFFLER -(Starter Side Outlet)(Commercial & Professional Series)
300D	84003680	1	MUFFLER -(Oil Filter Side Outlet) (Commercial & Professional Series)(Vanguard 810 & 810 EFI) (Compatible with 593868 Spark Arrester, 593885 Spark Arrester with Deflector.) (Equipped with plug for blocking off O2 sensor port for non EFI engines.)
437	690341	4	SCREW -(Exhaust Manifold)
740	704067	2	NUT, HEX FLNG,5/16-18 -(Muffler Bracket)
819	592604	2	SCREW -(Muffler Bracket)
819A	695629	4	SCREW -(Muffler Bracket)
819B	692062	2	SCREW -(Muffler Bracket)
883	594365	2	GASKET, Exhaust
884	691956	1	CLAMP, Muffler
1176	690941	4	NUT -(Exhaust Manifold)
1177	793859	1	NUT -(Muffler)



Electrical

REF NO	PART NO	QTY	DESCRIPTION
578	84007350	1	WIRE ASSEMBLY -(Wire Harness Adapter Aids in repowering engine application with Male 6-Pin connector and wires create custom adapter configurations.)
578A	19631	1	TOOL, CUSTOM HARNESS -(6-pin Wire Harness Adapter) (Aids in repowering engine application to an EFI engine)
853	84003359	1	ADAPTER, WIRE -(Wire Harness Adapter) (Aids in repowering ExMark) (Flat 6-spade connector to Briggs & Stratton 6-Pin connector)
920	84002147	1	SOLENOID, STARTER -(Starter Solenoid Kit) (Aids in Repowering when original is solenoid shift)
983	5103809YP	1	LIGHT, Indicator -(MIL Light Indicator) (LED Red)
1616	19626	1	CODE READER -(Tiny Scan Code Reader)

Not For Reproduction

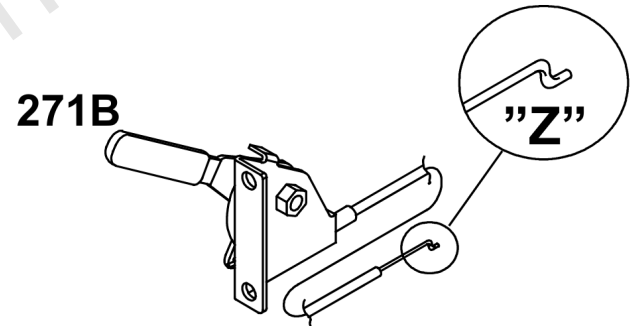
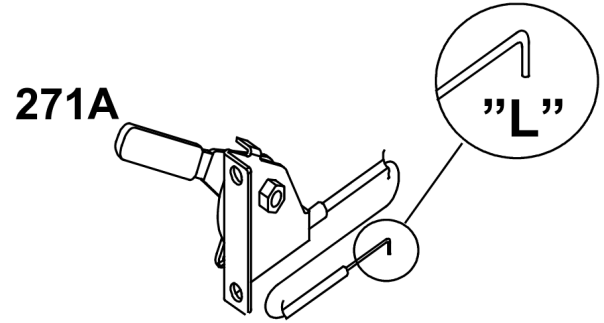
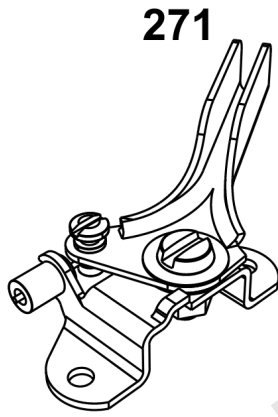
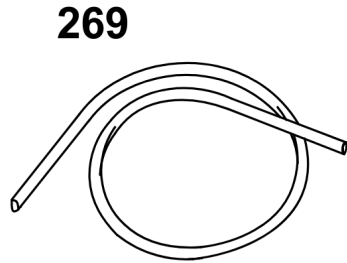
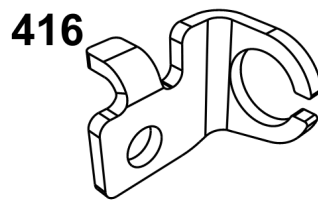
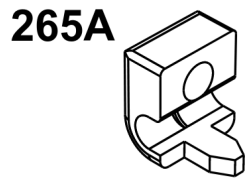
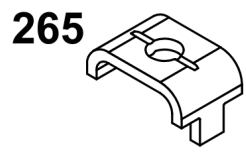


Not For
Reproduction

Flywheel Guards

REF NO	PART NO	QTY	DESCRIPTION
563	799360	1	SCREW -(Debris Screen Guard)
563A	597574	1	SCREW -(Debris Screen Guard)
563B	799359	1	SCREW -(Debris Screen Guard)
949	799357	1	GUARD, Debris Screen -(Static Cover Flywheel) (Requires 4 x 799360 Screw)
949A	797420YP	1	GUARD, Debris Screen -(Static Cover Flywheel High Flow) (Requires 4 x 799360 Screw)
949B	593206	1	GUARD, Debris Screen -(Static Cover Flywheel) (Requires 4 x 799359 Screw)
949C	597573	1	GUARD, Debris Screen -(Wire Static Flywheel Cover) (Requires 4x 597574 Screw) (For Commercial Series)

Not For Reproduction

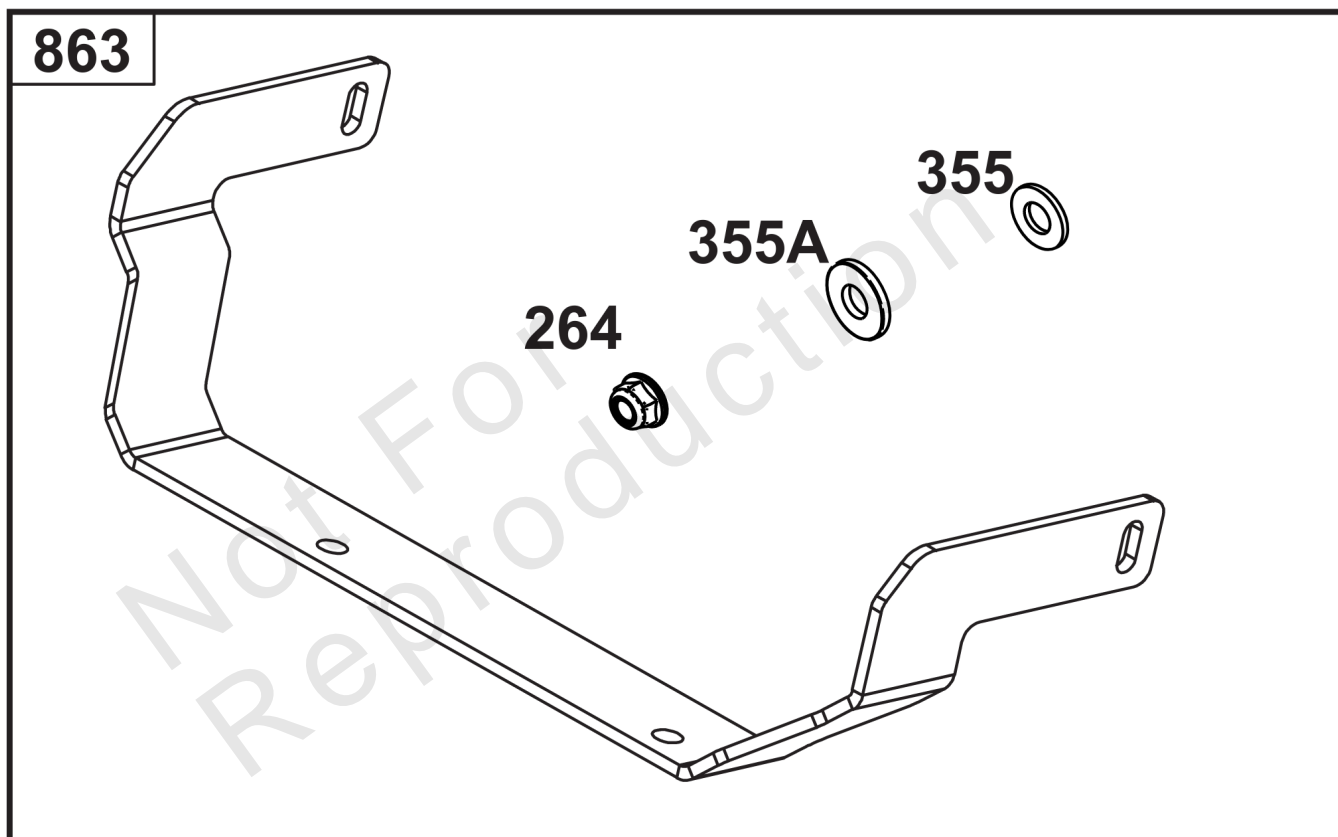
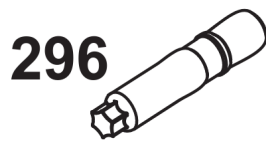
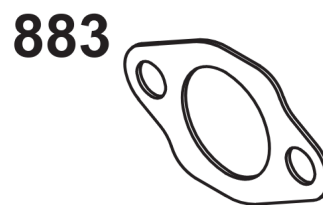


Not For
Reproduction

Speed Control

REF NO	PART NO	QTY	DESCRIPTION
265	691024	1	CLAMP, Casing -(Casing Clamp for Hard Casing)
265A	690798	1	CLAMP, Casing -(Casing Clamp for Soft Casing)
267	792629	1	SCREW -(Screw for Casing Clamp)
269	93907	1	WIRE, Control -(Control Wire 100')
271	691028	1	LEVER, Control -(Speed Control Lever Assembly)
271A	692105	1	LEVER, Control -("L" formed end Speed Control Lever Assembly)
271B	692541	1	LEVER, Control -("Z" formed end Speed Control Lever Assembly)
416	595196	1	BRACKET, Throttle Cable -(Casing Clamp for Snap-In Casing)

Not For Reproduction



Muffler Mounting Hardware

REF NO	PART NO	QTY	DESCRIPTION
264	703465	4	NUT, 5/16-18, GR5 -(Muffler Adapter)
296	591756	4	STUD -(Muffler)
355	5025292SM	4	WASHER, 5/16" GD.9 FL -(Muffler Bracket)
355A	5025155SM	2	WASHER, 5/16 -(Muffler Bracket)
613	690341	4	SCREW -(Muffler)
613A	690363	4	SCREW -(Muffler)
863	597480	1	BRACKET, Muffler
883	594365	2	GASKET, Exhaust
883A	690970	2	GASKET, Exhaust
1177	690941	4	NUT -(Muffler)

Not For Reproduction

