



20kW¹ STANDBY GENERATOR

BRIGGS & STRATTON® THE SMART CHOICE

For the discerning homeowner that is looking for the smartest, most reliable permanent backup power solution.

FORTRESS™

Introducing our dealer exclusive line. Available at your local Briggs & Stratton Dealer with these great features:

- The industry's longest parts, labor and travel limited warranty
- Installed oil warmer for increased starting protection in colder weather



Unique Airflow Technology

- Making these models 50% quieter than most portable generators
- The unique design pushes engine exhaust out the front, directly away from your home

Flexible Placement

- Approved for installation as close as 18" to a building²

Symphony® II Power Management System

- Customizable to your home's needs
- Automatically balances the power of your home's electrical load including high wattage items like air conditioning units and electric ovens
- Offers whole house power with a more affordable home generator

Commercial-Grade Briggs & Stratton Vanguard™ Engine

- Powerful V-Twin OHV engine
- Easy conversion between natural gas (NG) and liquid propane vapor (LP) during installation

Quality Clean Power

- Ensures your electronics are safely powered

Corrosion Resistant Enclosure & Base

- Made with automotive grade galvanized steel to resist rust
- Powder-coated paint for years of protection against chips and abrasions



GENERATOR SET RATINGS

| MODEL | VOLTAGE | PHASE | HZ | BREAKER | LIQUID PROPANE | | NATURAL GAS | | LIMITED WARRANTY ³ |
|-----------------------------|---------|-------|----|---------|----------------|---------|-------------|---------|-------------------------------|
| | | | | | LP kW | LP AMPS | NG kW | NG AMPS | PARTS, LABOR, TRAVEL |
| Fortress 040547 | 120/240 | 1 | 60 | 100 | 20 | 83.3 | 18 | 75 | 6 Year |
| Briggs & Stratton 040336 | 120/240 | 1 | 60 | 100 | 20 | 83.3 | 18 | 75 | 5 Year |

¹ This generator is rated in accordance with UL (Underwriters Laboratories) 2200 (stationary engine generator assemblies) and CSA (Canadian Standards Association) standard C22.2 No. 100-04 (motors and generators).

² The installation manual contains specific instructions related to generator placement in addition to NFPA 37, including the requirement that carbon monoxide detectors be installed and maintained in your home.

³ Warranty details available at www.briggsandstratton.com



ENGINE SPECIFICATIONS

| ENGINE | |
|-------------------------------|---|
| Engine Model | Briggs & Stratton Vanguard™ |
| Engine Model Type Trim Number | 613275-0003-E1 |
| Engine Speed (RPM) | 3600 |
| Engine Fuel | Liquid Propane (LP) or Natural Gas (NG) |
| Engine Cylinder Configuration | OHV |
| Number of Cylinders | 2 |
| Displacement (cc) | 60.6 / 993 |
| Bore & Stroke (in) | 3.37 / 3.41 |
| Compression Ratio | 8.5:1 |
| Governor Type | Electronic |
| Frequency Regulation | +/- 1 Hz |
| Valves | OHV with Hardened Seats |
| Ignition System | Fixed timing Magnatron® Electric Ignition |
| Starter Motor Rating Voltage | 12 Volt |
| Battery | 12 Volt |

| LUBRICATION | |
|-------------------------|---------------------|
| Oil Capacity (oz) | 79 |
| Lubrication System | Full Pressure |
| Recommended Oil | 5W30 Full Synthetic |
| Low Oil Pressure Sensor | Yes |

| ALTERNATOR SPECS | |
|-------------------|------------------------------|
| Manufacturer | Briggs & Stratton |
| Type | Self-Excited, Rotation Field |
| Voltage Regulator | Automatic |
| Insulation | Class F |

| CONTROLLER FEATURES | |
|---------------------|-----|
| Hour Meter | Yes |
| LED Digital Display | Yes |
| Fault Code Display | Yes |
| Weekly Exerciser | Yes |

OPERATIONS

| | FUEL CONSUMPTION ¹ | | | |
|----------------|-------------------------------|---------------|--------------------------|---------------|
| | 50% Load | | 100% Load | |
| Liquid Propane | 83 ft ³ / hr | 2.31 gal / hr | 135 ft ³ / hr | 3.75 gal / hr |
| Natural Gas | 187 ft ³ / hr | — | 260 ft ³ / hr | — |

| SOUND RATING AT 7 METERS |
|--------------------------|
| 64 dBA |

Lowest measurement of 12 microphones around generator. Sound level measurement at other locations around generator may be different depending upon installation configuration.

¹ Fuel consumption rates are estimated based on normal operating conditions. Generator operation may be greatly affected by elevation and the cycling operation of multiple electrical appliances – fuel flow rates may vary depending on these factors.



ADDITIONAL INFORMATION

OTHER FEATURES

| | |
|------------------------------------|---|
| Enclosure Material | Galvanneal Steel with Corrosion Resistant Paint |
| Overcrank Protection | Yes |
| Engine Warm Up (sec) | 20 or 50 Automatic Transfer Switch Controlled |
| Engine Cool Down (min) | 1 |
| Response Time (sec) | 26 or 56 Automatic Transfer Switch Controlled |
| Monitoring Options | Basic Wireless Monitor InfoHub™ Monitor |
| Continuous Battery Charging | Yes |

WEIGHT AND DIMENSIONS

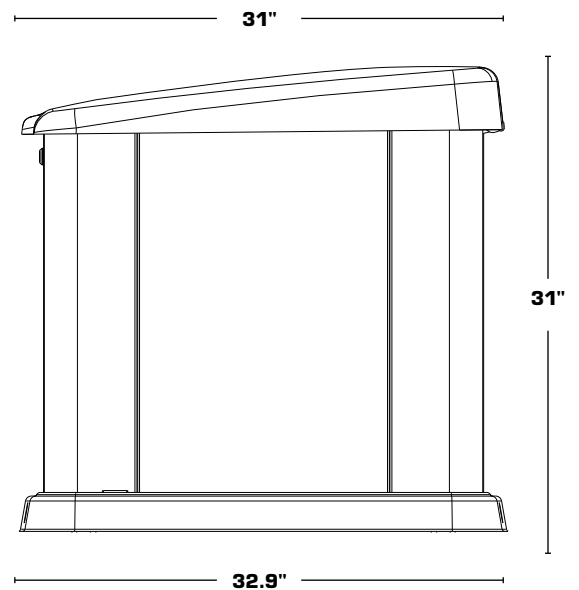
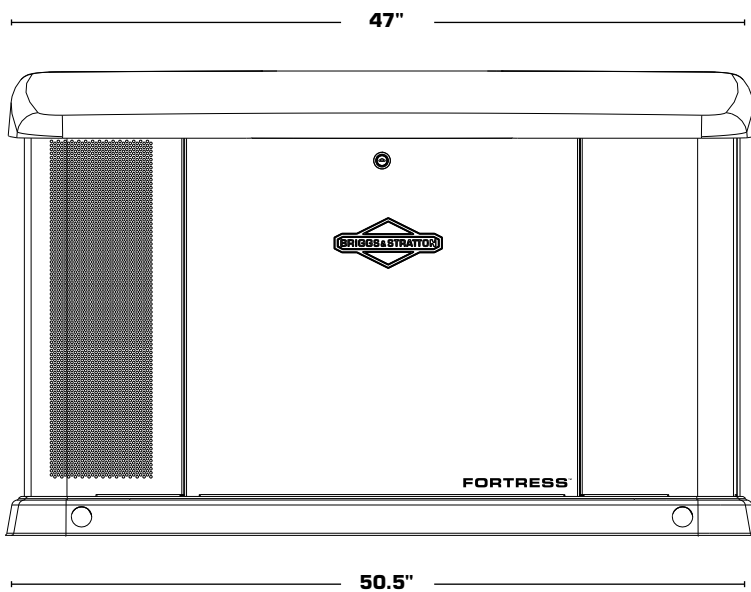
| | |
|---------------------------------|------------------|
| Assembled Weight (lbs) | 500 |
| Overall Dimensions (in) | 50.5 x 32.9 x 31 |
| Packaged Weight (lbs) | 613 |
| Packaged Dimensions (in) | 68.1 x 41 x 39.5 |

CERTIFICATION

| | |
|---|-----|
| CARB Compliant | Yes |
| NFPA Approved | Yes |
| cUL Listed to CSA 22.2 NO 100-04 | Yes |
| NEMA Compliant | Yes |
| EPA Certified Fuel System | Yes |

AVAILABLE ACCESSORIES

| | |
|-------------------------------|------------------------|
| Maintenance Kit | 6035 |
| Cold Weather Kit | Fortress 6404 |
| | Briggs & Stratton 6231 |
| Basic Wireless Monitor | 6229 |
| InfoHub | 6260 |
| Remote Status Monitor | 6144 |





FUEL PIPE SIZE RECOMMENDATION CHART (CAPACITY IN THOUSANDS OF BTU/HOUR)

Natural Gas / Inlet Pressure less than 2 PSI / Pressure Drop 1/2" Water Column / Specific Gravity 0.60

| | 1/2" pipe capacity | 3/4" pipe capacity | 1" pipe capacity | 1-1/4" pipe capacity | 1-1/2" pipe capacity | 2" pipe capacity |
|--------------|--------------------|--------------------|------------------|----------------------|----------------------|------------------|
| 20' Length* | 118 | 247 | 466 | 957 | 1,430 | 2,760 |
| 40' Length* | 81 | 170 | 320 | 657 | 985 | 1,900 |
| 60' Length* | 65 | 137 | 257 | 528 | 791 | 1,520 |
| 80' Length* | 56 | 117 | 220 | 452 | 677 | 1,300 |
| 100' Length* | 50 | 104 | 195 | 400 | 600 | 1,160 |

Liquid Propane / Inlet Pressure 11" Water Column / Pressure Drop 1/2" Water Column / Specific Gravity 1.50

| | 1/2" pipe capacity | 3/4" pipe capacity | 1" pipe capacity | 1-1/4" pipe capacity | 1-1/2" pipe capacity | 2" pipe capacity |
|--------------|--------------------|--------------------|------------------|----------------------|----------------------|------------------|
| 20' Length* | 200 | 418 | 788 | 1,617 | 2,423 | 4,666 |
| 40' Length* | 137 | 287 | 541 | 1,111 | 1,665 | 3,207 |
| 60' Length* | 110 | 231 | 435 | 892 | 1,337 | 2,575 |
| 80' Length* | 101 | 212 | 400 | 821 | 1,230 | 2,370 |
| 100' Length* | 101 | 212 | 400 | 821 | 1,230 | 2,370 |

*Total length of piping from outlet of regulator to appliance furthest away.

ADDITIONAL INFORMATION

TRANSFER SWITCH SPECIFICATIONS

| | | |
|-------------------------------------|---|----------------|
| Prewired 16 Circuit | 100 AMP | Model #071076 |
| Standard 16 Circuit | 100 AMP | Model # 071047 |
| Symphony® II | 100 AMP | Model # 071071 |
| Symphony® II | 150 AMP | Model # 071070 |
| Symphony® II | 200 AMP | Model # 071068 |
| Symphony® II Dual 200 Amp | 2x200/400 | Model # 071057 |
| Voltage Rating | 120/240 | |
| Number of Protected Circuits | Select Circuit: 16 Symphony® II: Whole House | |
| UL Approved | Yes | |
| NEMA 3R Rated | Yes | |

SUPPORT EVERY STEP OF THE WAY

NEED HELP? Just call 800-759-2744

Our technical support team is trained to answer questions on our generators, transfer switches and accessories.

**CALL TODAY FOR A FREE IN-HOME ESTIMATE!
800-743-4115**

Disclaimer: Not for Prime Power or use where standby systems are legally required, for serious life safety or health hazards, or where lack of power hampers rescue of fire-fighting operations.

BRIGGS & STRATTON

POST OFFICE BOX 702
MILWAUKEE, WI 53201 USA

Copyright ©2016. All rights reserved. BS1007-D – 11/16