

### Throttle Controls

Speed control level assembly, order control wire and wire casing (inset) separately.

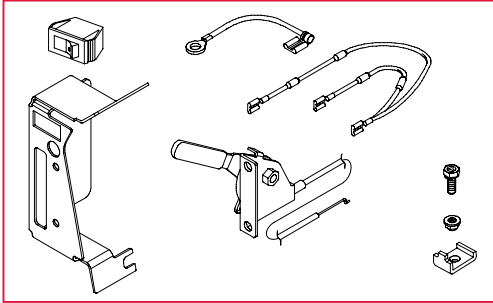
**Part # 691028**

Control wire, 78", **Part # 691026**

Wire casing, 72", **Part # 691025**

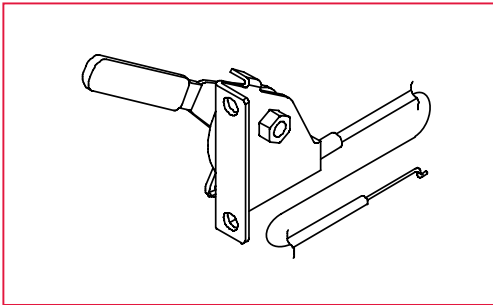
Control wire, 100', **Part # 93907**

Wire casing, 50', **Part # 93908**



### Vanguard™ V-Twin Throttle Control

For horizontal crankshaft models. Includes panel, lever, control wire, rocker switch, decal and mounting hardware, **Part # 494052**

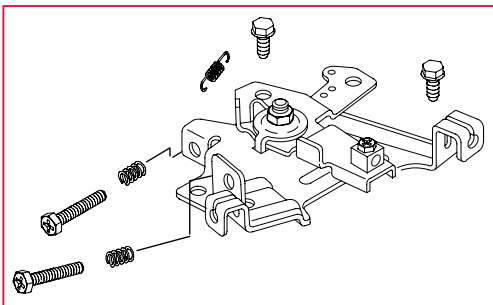


### Speed Control Lever Assembly

For Vanguard™ V-Twin horizontal crankshaft models

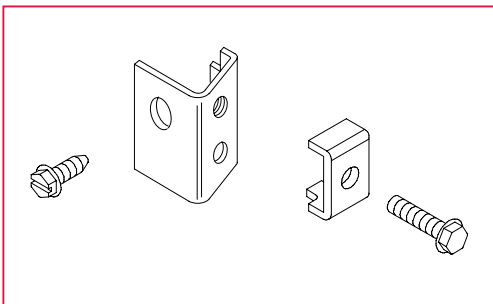
Lever-Control (Used with control lever and/or wire with a "Z" formed end), **Part # 692541**

Lever-Control (Cable wire with an "L" formed end), **Part # 692105**



### Remote Throttle Control Bracket

Remote throttle control bracket for Vanguard™ Model 115400, (control cable not supplied by Briggs & Stratton), **Part # 715295**



### Remote Choke Adapter

Remote choke adapter kit for 170000, 190000, 220000 & 250000 Industrial Plus™ engines, it includes a choke cable bracket, self-tapping screw, casing clamp and screw, **Part # 497201**

† All power levels are stated gross torque per SAE J1940 as rated by Briggs & Stratton.  
‡ All power levels are stated gross HP per SAE J1940 as rated by Briggs & Stratton.