



RE-POWERING GUIDELINES

If replacing a Briggs & Stratton engine with another Briggs & Stratton engine, use the original engine's model and type numbers to assure the correct replacement. If replacing a competitor's engine with a Briggs & Stratton engine, let the power level and features of the original engine, plus the expected work cycle, guide you in selecting the correct replacement. Also consider these factors:

1. Engine Selection

Match the engine's performance and cost to your specific application to get the optimum performance at an affordable price. That means better value for you.

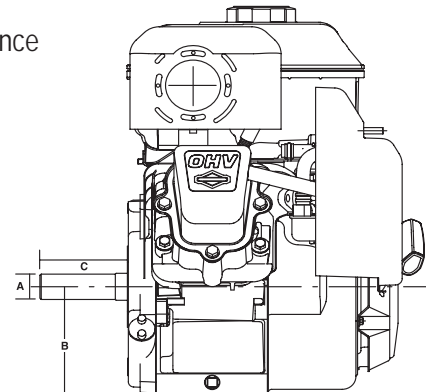
- **Vanguard™ OHV** (overhead valve) engines are maximum performance, cast iron sleeved engines.
 - select for continuous heavy duty applications.
- **INTEK™ PRO, Industrial Plus™ and I/C®** (Industrial/Commercial) engines are cast iron sleeved.
 - select for medium duty commercial, industrial and rental use.
- **INTEK™ and PowerBuilt™** engines are aluminum cylinder bore OHV engines.
 - select for general consumer use.
- **Standard** engines are aluminum cylinder bore, side valve engines.
 - select for general consumer use.

2. Safety Points

For many safe hours of operation, it is important to maintain the original engine's power, starter type and position, fuel tank location, fuel line routing, muffler location, exhaust direction and muffler accessories (i.e., deflector, spark arrester, etc.). Reinstall all guards, shields and safety devices. Replace missing, worn or damaged parts.

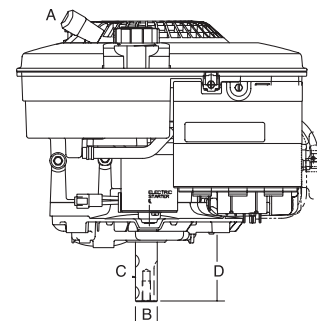
3. Horizontal Crankshaft Engines

- Compare the overall engine size to avoid possible mounting interference
- Match the crankshaft
 - Diameter "A"
 - Height "B" (distance from base to crankshaft center line)
 - Length "C" (distance from oil seal/cover's mounting face to end of crankshaft)
- Match the crankshaft type, i.e., keyway, tapered or threaded
- Match the crankcase cover's tapped holes for mounting accessories (if applicable)
- Match the base mounting dimensions and bolt hole spacing



4. Vertical Crankshaft Engines

- Compare the overall engine size to avoid possible mounting interference
- Match the starter type and starter grip position "A"
- Match the crankshaft
 - Diameter "B"
 - Keyway type "C"
 - Length "D" (distance from mounting face of sump - not oil seal - to end of crankshaft)
- Match the mounting base dimensions and bolt hole spacing



WARNING

Briggs & Stratton does not approve or authorize the use of these engines on 3-wheel All Terrain Vehicles (ATVs), motor bikes, fun/recreational go-karts, aircraft products or vehicles intended for use in competitive events. Use of these engines in such applications could result in property damage, serious injury (including paralysis), or even death.

SNOW SERIES

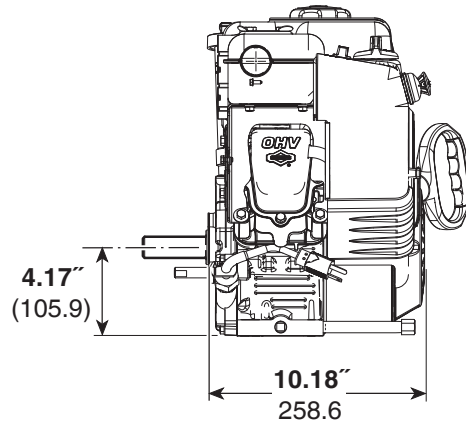
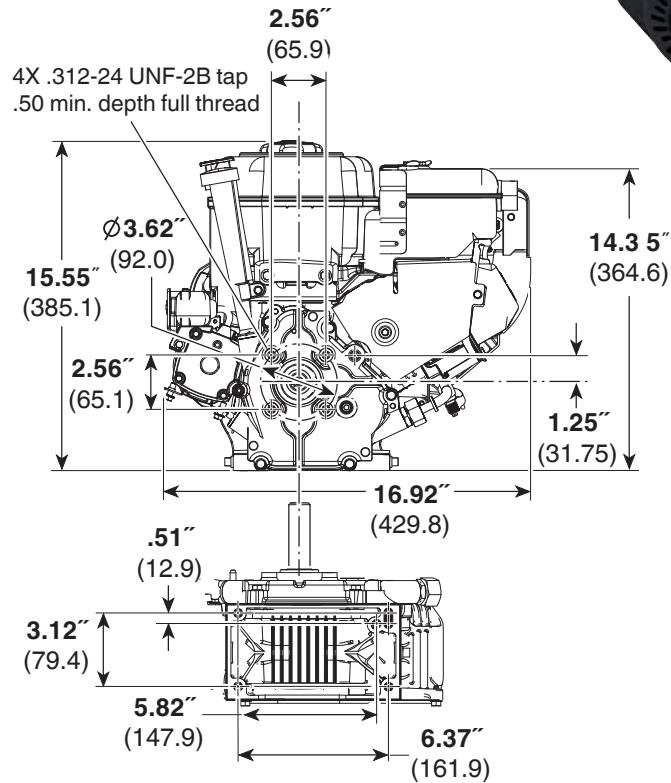
9.00 Gross Torque

205 CC

Bore 2.69 in. (68.3 mm)

Stroke 2.2 in. (55.9 mm)

Oil Capacity 18-20 fl. oz. (0.54 - 0.59 L)



Features:

- Kool Bore™ aluminum alloy bore for cooler operation
- Maintenance-free Magnatron® electronic ignition for quick, dependable starts
- Overhead valve design (OHV) for cooler operation and longer valve life
- Freeze-resistant recoil starter with oversized mitt-grip rewind handle
- Easy-start primer is easy-to-find and use for fast, reliable cold weather starting
- Buyer protection package provides two-year limited consumer engine warranty

Model Type	Shipping Weight	Crankshaft	Crankshaft (P.T.O.) Extension	Dimension	Starter Position	Oil Filler & Drain	Governor	Controls	Manual Choke	Fuel Tank (Quarts)	Key Switch Stop	Flange Mtg.	Top Governor Speed	Notes
12D112														
0007	39	699445	3/4" dia., Keyway, tapped 5/16-24	2-27/64(c)	3	T	M	MF/R	X	3.2	X	X	3600	■
0008		699454	3/4" dia., Keyway, tapped 3/8-24	2-9/16(c)	3	T	M	MF	X	3.2	X	X	3600	■
0009	40	699451	1" dia., Keyway, tapped 5/16-24	2-27/64(c)	3	T	M	MF/R	X	3.2	X	X	3600	■
12D113														
0017	49	699445	3/4" dia., Keyway, tapped 5/16-24	2-27/64(c)	3	T	M	R/AG/MF	X	3.2	X	X	3600	□
0019	49	699451	1" dia., Keyway, tapped 5/16-24	2-27/64(c)	3	T	M	R/AG/MF	X	3.2	X	X	3600	□
12D132														
0036		816538	3/4" dia., Keyway, tapped 5/16-24	2-27/64(c)	3	T	M	MF/R	X	3.2	X	X	3600	■
12D193														
0018	44	699445	3/4" dia., Keyway, tapped 5/16-24, 5/16-24 Aux. P.T.O. 1/2 dia.	2-27/64(c)	3	T	M	R/AG/MF	X	3.2			3600	□

□ 110 Volt Gear Drive Starter ■ Engine equipped to receive 110 Volt Starter

SPECIFICATIONS OF SERVICE ENGINES

LEGEND OF ABBREVIATIONS

STARTER POSITION:	Number shown is “o’clock” position of rewind starter. Spark plug is considered to be the 12 o’clock position.
OIL FILLER & DRAIN:	“CS” – carburetor side, “OC” – opposite carburetor, “D” – dual (both sides), “T” (Three sided).
GOVERNOR:	“AV” – air vane, “M” – mechanical, “E” – electronic.
CONTROLS:	“MF” – manual friction, “R” – remote, “AG” – adjustable for a constant speed operation, “FC” – fixed speed control.
GROUND WIRE TERMINAL:	May be used with stop switch in remote location.
ACCESSORY MTG. BOSS or FLANGE MOUNTING:	Tapped holes in crankcase cover used to fasten clutch brackets, belt guards, etc.
DIMENSION:	Distance from end of crankshaft to one of the points listed below: (a) Oil seal on plain bearing horizontal crankshaft engines. (b) Mounting face of sump on vertical crankshaft engines. (c) Flange mounting face on horizontal crankshaft engines.
SHIPPING WEIGHT:	Gross Domestic Shipping Weight.

Briggs & Stratton Corporation believes the specifications in this brochure to be correct at time of printing. However, specifications, standard equipment, options, and colors are subject to change without notice.

ALL POWER RATINGS SHOWN IN THIS CATALOG ARE SUBJECT TO THE FOLLOWING:

The gross power rating for individual gas engine models is labeled in accordance with SAE (Society of Automotive Engineers) code J1940 (Small Engine Power & Torque Rating Procedure), and rating performance has been obtained and corrected in accordance with SAE J1995 (Revision 2002-05). Torque values are derived at 3060 RPM; horsepower values are derived at 3600 RPM. The gross power curves can be viewed at www.BRIGGSandSTRATTON.COM. Net power values are taken with exhaust and air cleaner installed whereas gross power values are collected without these attachments. Actual gross engine power will be higher than net engine power and is affected by, among other things, ambient operating conditions and engine-to-engine variability. Given the wide array of products on which engines are placed, the gas engine may not develop the rated gross power when used in a given piece of power equipment. This difference is due to a variety of factors including, but not limited to, the variety of engine components (air cleaner, exhaust, charging, cooling, carburetor, fuel pump, etc.), application limitations, ambient operating conditions (temperature, humidity, altitude), and engine-to-engine variability. Due to manufacturing and capacity limitations, Briggs & Stratton may substitute an engine of higher rated power for this Series engine.

YOUR KEY TO THE WORLD'S FINEST ENGINES

This chart explains the unique Briggs & Stratton numerical model designation system. It is possible to determine most of the important mechanical features of the engine by merely knowing the model number. Here is how it works:

- A. The first one or two digits indicate the approximate CUBIC INCH DISPLACEMENT.
- B. The first digit after the displacement indicates the BASIC DESIGN SERIES, relating to cylinder construction, ignition, general configuration, etc.
- C. The second digit after the displacement indicates ORIENTATION OF CRANKSHAFT.
- D. The third digit after the displacement indicates TYPE OF BEARINGS, and whether or not the engine is equipped with REDUCTION GEAR or AUXILIARY DRIVE.
- E. The last digit indicates the TYPE OF STARTER.

BRIGGS & STRATTON MODEL NUMBERING SYSTEM

<u>A</u>	<u>B</u>	<u>C</u>	<u>D</u>	<u>E</u>
<u>FIRST DIGIT AFTER DISPLACEMENT</u>	<u>FIRST DIGIT AFTER DISPLACEMENT</u>	<u>SECOND DIGIT AFTER DISPLACEMENT</u>	<u>THIRD DIGIT AFTER DISPLACEMENT</u>	<u>FOURTH DIGIT AFTER DISPLACEMENT</u>
<u>CUBIC INCH DISPLACEMENT</u>	<u>BASIC DESIGN SERIES</u>	<u>CRANKSHAFT ORIENTATION</u>	<u>PTO BEARING, REDUCTION GEAR, AUXILIARY DRIVE, LUBRICATION</u>	<u>TYPE OF STARTER</u>
2-61	0 - 9 A - Z	0 to 4 - Horizontal Shaft 5 to 9 - Vertical Shaft A to G - Horizontal Shaft H to Z - Vertical Shaft	0 - Plain Bearing 3 - Ball Bearing 4 - Ball Bearing Pressure Lubrication 5 - Plain Bearing Gear Reduction (6 to 1) CCW Rotation 6 - Ball Bearing Gear Reduction (2 to 1) CCW Rotation 7 - Plain Bearing Pressure Lubrication 9 - Plain Bearing Auxiliary Drive	0 - Without Starter 2 - Rewind Starter 5 - Electric Starter 6 - Alternator Only 7 - Electric Starter with Alternator

EXAMPLE - To identify Model 303447:

<u>30</u>	<u>3</u>	<u>4</u>	<u>4</u>	<u>7</u>
30 Cubic Inch	Design Series 3	Horizontal Shaft	Ball Bearing Pressure Lubrication	Electric Starter with Alternator

TYPE 123401, The type number identifies the engines mechanical parts, color of paint, decals, governed speed, and Original Equipment Manufacturer.

CODE 01061201, The code is the manufacturing date and is read as follows:

<u>YEAR</u>	<u>MONTH</u>	<u>DAY</u>	<u>ASSEMBLY LINE AND MANUFACTURING PLANT</u>
01	06	12	01

Column D historical numbers that have been discontinued include: 1- Plain Bearing/DU, 2- Sleeve Bearing Flange Mounting Splash Lube, 8- Plain Bearing Auxiliary Drive (PTO) Perpendicular to Crankshaft

Column E historical numbers that have been discontinued include: 1- Rope Starter, 3- Electrical Starter Only 110 or 230 Volt Gear Drive, 4- Electrical Starter/110 or 230 Volt Gear Drive with Alternator, 7- Electrical Starter Only 12 or 24 Volt Gear Drive, 8- Vertical Pull Starter or Side Pull Starter, 9- Mechanical Starter and A- Electrical Starter 12 or 24 Volt Gear Drive with Alternator & Inverter



LIMITED WARRANTY

Briggs & Stratton warrants that, during the warranty period specified below, it will repair or replace, free of charge, any part that is defective in material or workmanship or both. Transportation charges on product submitted for repair or replacement under this warranty must be borne by purchaser. This warranty is effective for and is subject to the time periods and conditions stated below. For warranty service, find the nearest Authorized Service Dealer in our dealer locator map at BRIGGSandSTRATTON.COM. The purchaser must contact the Authorized Service Dealer, and then make the product available to the Authorized Service Dealer for inspection and testing.

There is no other express warranty. Implied warranties, including those of merchantability and fitness for a particular purpose, are limited to one year from purchase, or to the extent permitted by law. All other implied warranties are excluded. Liability for incidental or consequential damages are excluded to the extent exclusion is permitted by law. Some states or countries do not allow limitations on how long an implied warranty lasts, and some states or countries do not allow the exclusion or limitation of incidental or consequential damages, so the above limitation and exclusion may not apply to you. This warranty gives you specific legal rights and you may also have other rights which vary from state to state and country to country **.

STANDARD WARRANTY TERMS * ▲

Brand/Product Type	Consumer Use	Commercial Use
Vanguard™ ■	3 years	3 years
Commercial Turf Series™	2 years	2 years
Extended Life Series™; I/C®; Intek™ I/C®; Intek™ Pro; Professional Series™ with Dura-Bore™ Cast Iron Sleeve; 850 Series™ with Dura-Bore™ Cast Iron Sleeve; Snow Series MAX™ with Dura-Bore™ Cast Iron Sleeve All Other Briggs & Stratton Engines Featuring Dura-Bore™ Cast Iron Sleeve	2 years	1 year
All Other Briggs & Stratton Engines	2 years	90 days

* These are our standard warranty terms, but occasionally there may be additional warranty coverage that was not determined at time of publication. For a listing of current warranty terms for your engine, go to BRIGGSandSTRATTON.COM or contact your Briggs & Stratton Authorized Service Dealer.

** In Australia - Our goods come with guarantees that cannot be excluded under the Australian Consumer Law. You are entitled to a replacement or refund for a major failure and for compensation for any other reasonably foreseeable loss or damage. You are also entitled to have the goods repaired or replaced if the goods fail to be of acceptable quality and the failure does not amount to a major failure. For warranty service, find the nearest Authorized Service Dealer in our dealer locator map at BRIGGSandSTRATTON.COM, or by calling 1300 274 447, or by emailing or writing to salesenquiries@briggsandstratton.com.au, Briggs & Stratton Australia Pty Ltd, 1 Moorebank Avenue, Moorebank, NSW, Australia, 2170.

▲ Home Standby Generator applications: 2 years consumer warranty only. No commercial warranty. This warranty does not apply to engines on equipment used for prime power in place of a utility. **Engines used in competitive racing or on commercial or rental tracks are not warranted.**

■ Vanguard installed on standby generators: 2 years consumer use, no warranty commercial use. Vanguard installed on utility vehicles: 2 years consumer use, 2 years commercial use. Vanguard 3-cylinder liquid cooled: see Briggs & Stratton 3/LC Engine Warranty Policy.

The warranty period begins on the date of purchase by the first retail consumer or commercial end user, and continues for the period of time stated in the table above. "Consumer use" means personal residential household use by a retail consumer. "Commercial use" means all other uses, including use for commercial, income producing or rental purposes. Once an engine has experienced commercial use, it shall thereafter be considered as a commercial use engine for purposes of this warranty.

No warranty registration is necessary to obtain warranty on Briggs & Stratton products. Save your proof of purchase receipt. If you do not provide proof of the initial purchase date at the time warranty service is requested, the manufacturing date of the product will be used to determine the warranty period.

About Your Warranty

Briggs & Stratton welcomes warranty repair and apologizes to you for being inconvenienced. Any Authorized Service Dealer may perform warranty repairs. Most warranty repairs are handled routinely, but sometimes requests for warranty service may not be appropriate. To avoid misunderstanding which might occur between the customer and the dealer, listed below are some of the causes of engine failure that the warranty does not cover.

Normal wear: Engines, like all mechanical devices, need periodic parts service and replacement to perform well. Warranty will not cover repair when normal use has exhausted the life of a part or an engine. Warranty would not apply if engine damage occurred because of misuse, lack of routine maintenance, shipping, handling, warehousing or improper installation. Similarly, warranty is void if the serial number of the engine has been removed or the engine has been altered or modified.

Improper maintenance: The life of an engine depends upon the conditions under which it operates, and the care it receives. Some applications, such as tillers, pumps and rotary mowers, are very often used in dusty or dirty conditions, which can cause what appears to be premature wear. Such wear, when caused by dirt, dust, spark plug cleaning grit, or other abrasive material that has entered the engine because of improper maintenance, is not covered by warranty.

This warranty covers engine related defective material and/or workmanship only, and not replacement or refund of the equipment to which the engine may be mounted. Nor does the warranty extend to repairs required because of:

- 1 Problems caused by parts that are not original Briggs & Stratton parts.
- 2 Equipment controls or installations that prevent starting, cause unsatisfactory engine performance, or shorten engine life. (Contact equipment manufacturer.)
- 3 Leaking carburetors, clogged fuel pipes, sticking valves, or other damage, caused by using contaminated or stale fuel.

- 4 Parts which are scored or broken because an engine was operated with insufficient or contaminated lubricating oil, or an incorrect grade of lubricating oil (check and refill when necessary, and change at recommended intervals). OIL GARD may not shut down running engine. Engine damage may occur if oil level is not properly maintained.
- 5 Repair or adjustment of associated parts or assemblies such as clutches, transmissions, remote controls, etc., which are not manufactured by Briggs & Stratton.
- 6 Damage or wear to parts caused by dirt, which entered the engine because of improper air cleaner maintenance, re-assembly, or use of a non-original air cleaner element or cartridge. At recommended intervals, clean and/or replace the filter as stated in the Operator's Manual.
- 7 Parts damaged by over-speeding, or overheating caused by grass, debris, or dirt, which plugs or clogs the cooling fins, or flywheel area, or damage caused by operating the engine in a confined area without sufficient ventilation. Clean engine debris at recommended intervals as stated in the Operator's Manual.
- 8 Engine or equipment parts broken by excessive vibration caused by a loose engine mounting, loose cutter blades, unbalanced blades or loose or unbalanced impellers, improper attachment of equipment to engine crankshaft, over-speeding or other abuse in operation.
- 9 A bent or broken crankshaft, caused by striking a solid object with the cutter blade of a rotary lawn mower, or excessive v-belt tightness.
- 10 Routine tune-up or adjustment of the engine.
- 11 Engine or engine component failure, i.e., combustion chamber, valves, valve seats, valve guides, or burned starter motor windings, caused by the use of alternate fuels such as, liquified petroleum, natural gas, gasoline formulated with ethanol greater than 10%, etc.

Warranty service is available only through Briggs & Stratton Authorized Service Dealers. Locate your nearest Authorized Service Dealer in our dealer locator map on BRIGGSandSTRATTON.COM or by calling 1-800-233-3723.

English

272204

en

1