



(en) Operator's Manual

(id) Panduan Operator

(ja) 操作マニュアル

(ko) 작동차 설명서

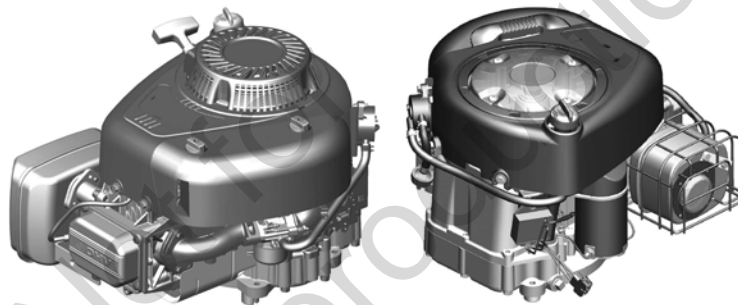
(ms) Manual Operator

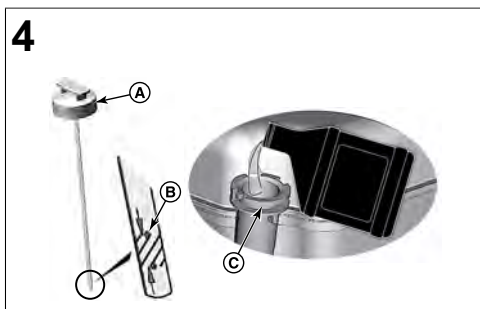
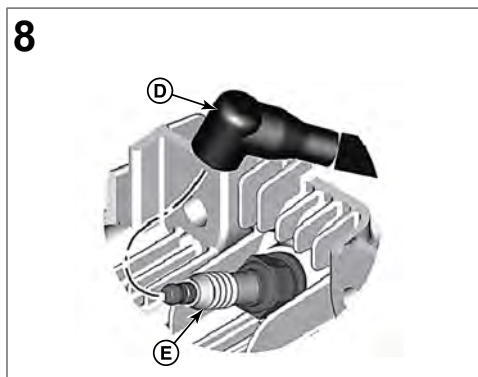
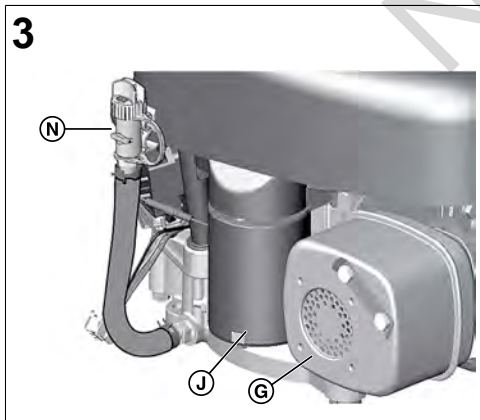
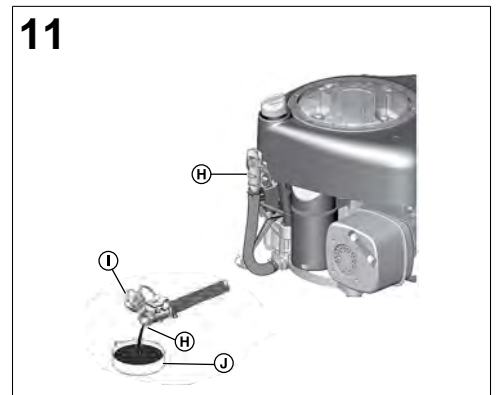
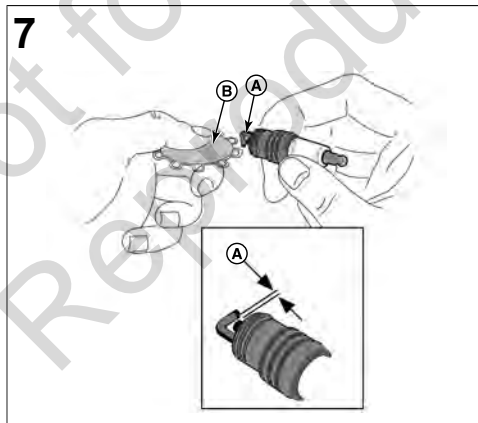
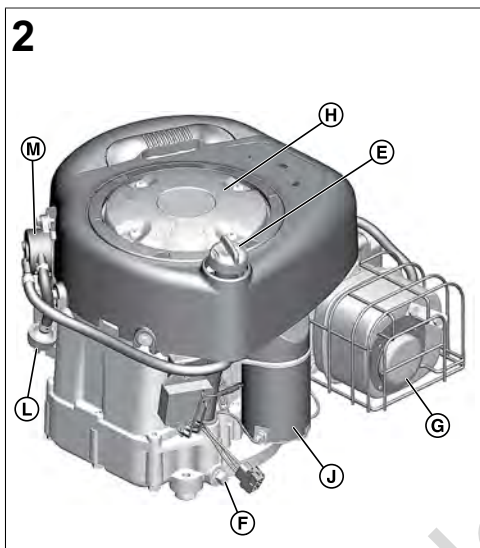
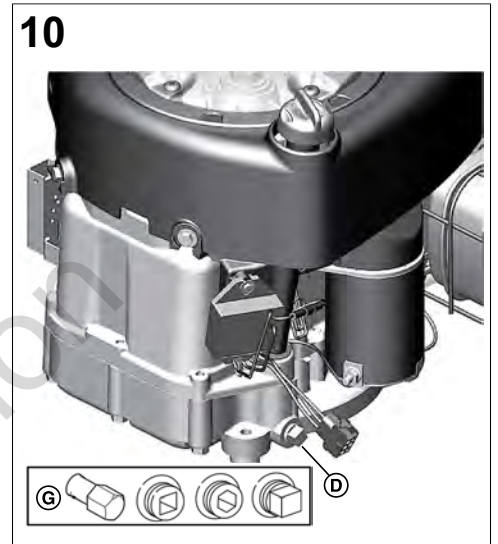
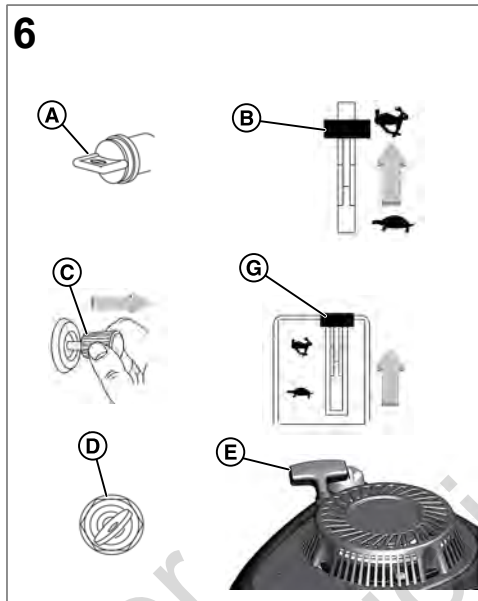
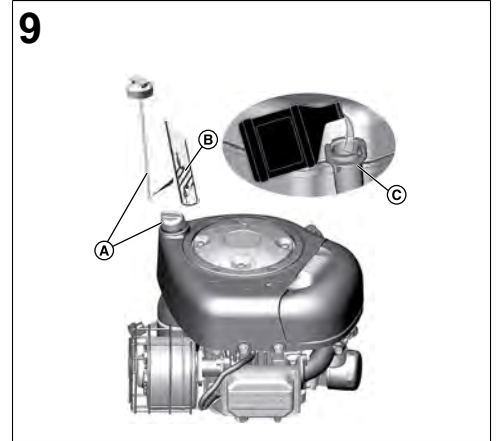
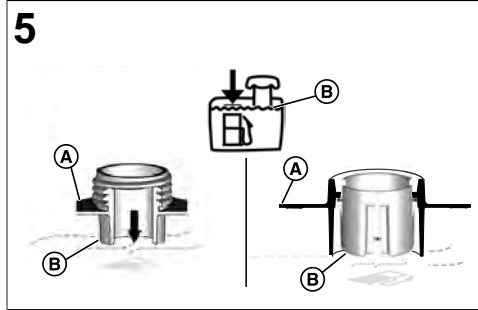
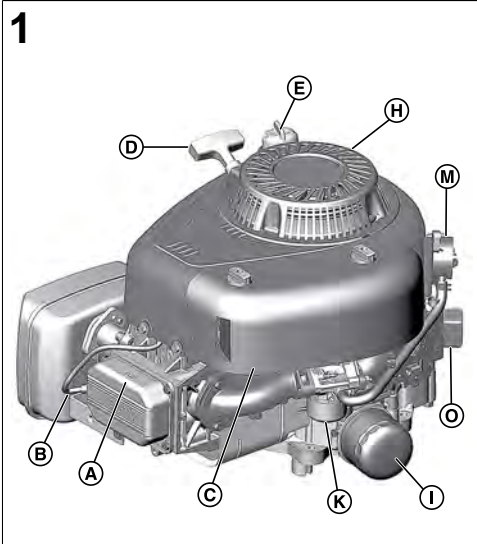
(th) คู่มือการใช้งาน

(vi) Sổ tay Vận hành

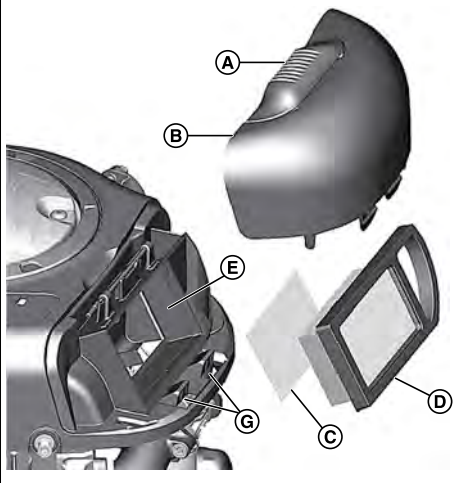
(zh) 操作员手册

210000, 310000

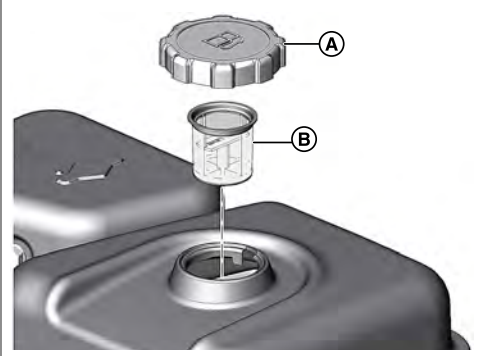




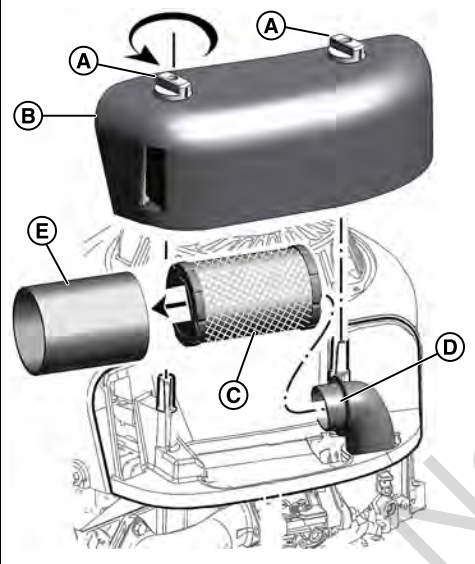
13



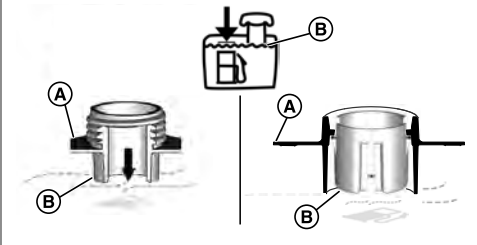
16



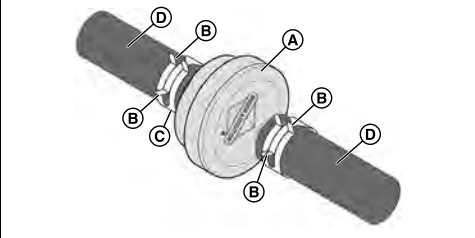
14



17



15



Not for Reproduction

## General Information



This manual contains the safety information about the hazards and risks related to the engine and how to prevent them. It also contains the correct operation and maintenance of this engine. It is important that you read, understand, and obey these instructions. **Keep this manual for future reference.**

**NOTE:** The figures and illustrations in this manual are for information only and can be different from your model. Use the figures that align with your engine configuration. If it is necessary, speak to an Authorized Service Dealer.

Record the date of purchase, engine model, type, trim, and the engine serial number for replacement parts. These numbers are on your engine. Refer to the **Features and Controls** section.

Date of Purchase	
Engine Model - Type - Trim	
Engine Serial Number	

## European Office Contact Information

For questions related to European emissions, contact our European office at:

Max-Born-Straße 2, 68519 Viernheim, Germany.

## European Union (EU) Stage V (5): Carbon Dioxide (CO<sub>2</sub>) Values

Enter CO<sub>2</sub> in the search window on BriggsandStratton.com to find carbon dioxide values of Briggs & Stratton EU Type-Approval Certificate engines.

## Operator Safety

### Safety Alert Symbol and Signal Words



The safety alert symbol identifies safety information about hazards that could result in personal injury. A signal word (**DANGER**, **WARNING**, or **CAUTION**) is used to indicate the likelihood and the potential severity of injury. In addition, a hazard symbol is used to represent the type of hazard.

**DANGER** indicates a hazard which, if not avoided, **will** result in death or serious injury.

**WARNING** indicates a hazard which, if not avoided, **could** result in death or serious injury.

**CAUTION** indicates a hazard which, if not avoided, **could** result in minor or moderate injury.

**NOTICE** indicates information considered important but not hazard-related.

### Hazard Symbols and Meanings

Safety information about hazards that can result in personal injury.	Read and understand the Operator's Manual before operating or servicing the unit.
Fire Hazard	Explosion Hazard
Shock Hazard	Toxic Fume Hazard
Hot Surface Hazard	Kickback Hazard
Amputation Hazard - Moving Parts	Fuel Level - Maximum Do Not Overfill

## Safety Messages



### WARNING

Briggs & Stratton® Engines are not designed for and are not to be used to power: fun-karts; go-karts; children's, recreational, or sport all-terrain vehicles (ATVs); motorbikes; hovercraft; aircraft products; or vehicles used in competitive events not sanctioned by Briggs & Stratton. For information about competitive racing products, see [www.briggsracing.com](http://www.briggsracing.com). For use with utility and side-by-side ATVs, please contact Briggs & Stratton Power Application Center, 1-866-927-3349. Incorrect engine use could result in serious injury or death.

## Recycling Information

		Recycle all cartons, boxes, used oil, and batteries as specified by government regulations.
--	--	---

## Features and Controls

### Engine Controls

Compare the callout letters in Figures 1, 2, and 3 to the engine controls in the list that follows:

- A. Engine Identification Numbers **Model - Type - Code**
- B. Spark Plug
- C. Air Cleaner
- D. Starter Cord Handle (if installed)
- E. Dipstick
- F. Oil Drain Plug
- G. Muffler, Muffler Guard (if installed), Spark Arrester (if installed)
- H. Blower Housing Cover
- I. Oil Filter (if installed)
- J. Electric Starter (if installed)
- K. Carburetor
- L. Fuel Filter (if installed)
- M. Fuel Pump (if installed)
- N. Quick Oil Drain (if installed)
- O. Electronic Control Unit (if installed)

### Engine Control Symbols and Meanings

Engine Speed - FAST	Engine Speed - SLOW
Engine Speed - STOP	ON - OFF
Engine Start Choke CLOSED	Engine Start Choke OPEN
Fuel Cap Fuel Shut-off OPEN	Fuel Shut-off CLOSED

## Operation



**WARNING**  
Fuel vapors are flammable and explosive. Fire or explosion could result in burns or death.

### If you smell gas

- Do not start the engine.
- Do not switch on electrical switches.
- Do not use a phone in the vicinity.
- Evacuate the area.
- Contact the fire department.

### When you operate the equipment

- Do not tilt the engine or the equipment at an angle which causes fuel to spill.

### When you move the location of the equipment

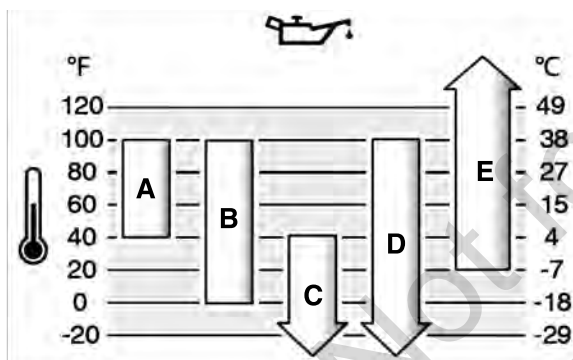
- Make sure that the fuel tank is EMPTY or that the fuel shut-off valve, if installed, is in the CLOSED position.

## Oil Recommendations

**Oil Capacity:** Refer to the *Specifications* section.

We recommend the use of Briggs & Stratton® Warranty Certified oils for best performance. Other high-quality detergent oils are permitted if classified for service SF, SG, SH, SJ or higher. Do not use special additives.

Use the chart to select the best viscosity for the outdoor temperature range expected. Engines on most outdoor power equipment operate good with 5W-30 Synthetic oil. For equipment operated in hot temperatures, Vanguard® 15W-50 Synthetic oil gives the best protection.



<b>A</b>	<b>SAE 30</b> - Below 40 °F (4 °C) the use of SAE 30 will result in hard starting.
<b>B</b>	<b>10W-30</b> - Above 80 °F (27 °C) the use of 10W-30 may cause increased oil consumption. Check the oil level frequently.
<b>C</b>	<b>5W-30</b>
<b>D</b>	<b>Synthetic 5W-30</b>
<b>E</b>	<b>Vanguard® Synthetic 15W-50</b>

## Check the Oil Level

### Before you check or add oil

- Make sure the engine is level.
- Clean the oil fill area of debris.
- Refer to the *Specifications* section for oil capacity.

### NOTICE

This engine was shipped from Briggs & Stratton without oil. Equipment manufacturers or dealers could have added oil to the engine. Before you start the engine for the first time, make sure that the oil is at the correct level. Add oil as specified by the instructions in this manual. If you start the engine without oil, damage will occur and the engine will not be repaired under warranty.

1. Remove the dipstick (A, Figure 4) and clean with a cloth.
2. Install and tighten the dipstick (A, Figure 4).
3. Remove the dipstick and check the oil level. Make sure that the oil level is at the top of the full indicator (B, Figure 4) on the dipstick.
4. If the oil level is low, slowly add oil into the engine oil fill (C, Figure 4). Do not add too much oil.
5. Wait one minute and check the oil level again. Make sure that the oil level is correct.

6. Install and tighten the dipstick (A, Figure 4).

## Low Oil Protection System (if installed)

A low oil sensor is installed on some engines. If the oil is low, the sensor will show a warning light or stop the engine. Stop the engine and do the steps that follow before you start the engine.

- Make sure that the engine is level.
- Do an oil check. Refer to the *Check Oil Level* section.
- If the oil level is low, add the correct amount of oil. Start the engine and make sure that the warning light (if installed) does not come on.
- If the oil level is not low, do not start the engine. Contact a Briggs & Stratton Authorized Service Dealer to correct the oil problem.

## Fuel Recommendations

### Fuel must meet these requirements:

- Clean, fresh, unleaded gasoline.
- A minimum of 87 octane/87 AKI (91 RON). High altitude use, see below.
- Gasoline with up to 10% ethanol (gasohol) is permitted.

### NOTICE

Do not use unapproved gasoline, such as E15 and E85. Do not mix oil in gasoline or change the engine to operate on alternate fuels. Use of unapproved fuels could result in damage to engine components, which will not be repaired under the warranty.

To protect the fuel system from gum formation, and corrosion, mix an alcohol-free fuel stabilizer and ethanol treatment into the fuel. Refer to the *Storage* section. All fuel is not the same. If start or performance problems occur, change fuel providers or brands. This engine is certified to operate on gasoline. The emissions control system for carbureted engines is EM (Engine Modifications). The emissions control systems for engines with electronic fuel injection are ECM (Engine Control Module), MPI (Multi Port Injection), and if equipped an O2S (Oxygen Sensor).

### High Altitude

At altitudes over 5,000 feet (1524 meters), a minimum 85 octane/85 AKI (89 RON) gasoline is permitted.

For carbureted engines, high altitude adjustment is required to maintain performance. Operation without this adjustment will cause decreased performance, increased fuel consumption, and increased emissions. Contact a Briggs & Stratton Authorized Service Dealer for high altitude adjustment information. Operation of the engine at altitudes below 2,500 feet (762 meters) with the high altitude adjustment is not recommended.

For Electronic Fuel Injection (EFI) engines, no high altitude adjustment is necessary.

## Add Fuel



**WARNING**  
Fuel and its vapors are flammable and explosive. Fire or explosion could result in burns or death.

### When you add fuel

- Stop the engine. Before you remove the fuel cap, wait a minimum of two (2) minutes to make sure that the engine is cool.
  - Fill the fuel tank outdoors or in an area that has good airflow.
  - Do not put too much fuel in the tank. For expansion of the fuel, do not fill above the bottom of the fuel tank neck.
  - Keep fuel away from sparks, open flames, pilot lights, heat, and other ignition sources.
  - Frequently examine the fuel lines, fuel tank, fuel cap, and connections for cracks or leaks. Replace damaged parts.
  - If fuel spills, wait until it dries before you start the engine.
1. Clean the fuel cap area of dirt and debris. Remove the fuel cap.
  2. Fill the fuel tank (A, Figure 5) with fuel. Because fuel will expand, do not fill above the bottom of the fuel tank neck (B).
  3. Install the fuel cap.

## Start the Engine



### WARNING

**POISONOUS GAS HAZARD.** Engine exhaust contains carbon monoxide, a poisonous gas that could kill you in minutes. Although you do not smell exhaust fumes, you could still be exposed to dangerous carbon monoxide gas. If you feel sick, dizzy, or weak while you use this product, get to fresh air RIGHT AWAY. See a doctor. You may have carbon monoxide poisoning.

- Carbon monoxide gas can collect in occupied spaces. To reduce the risk of carbon monoxide gas, ONLY operate this product outdoors and far away from windows, doors and vents.
- Install battery-operated carbon monoxide alarms or plug-in carbon monoxide alarms with battery back-up as specified by the manufacturer's instructions. Smoke alarms cannot sense carbon monoxide gas.
- DO NOT operate this product in homes, garages, basements, crawlspaces, sheds, or other closed spaces, even if you use fans or open doors and windows for ventilation. After the operation of this product, carbon monoxide can quickly collect in these spaces and stay for hours.
- ALWAYS put this product downwind and point the engine exhaust away from occupied spaces.



### WARNING

**Fuel and its vapors are flammable and explosive. Fire or explosion could result in burns or death.**

#### When you start the engine

- Make sure that the spark plug, muffler, fuel cap and air cleaner (if equipped) are correctly installed.
- Do not crank the engine with the spark plug removed.
- If the engine is flooded, set the choke (if equipped) to the OPEN or RUN position. Move the throttle (if equipped) to the FAST position and crank until the engine starts.
- If there is natural or LP gas leakage in the area, do not start the engine.
- Because vapors are flammable, do not use pressurized starter fluids.



### WARNING

**Rotating parts can entangle hands, feet, hair, clothing, or accessories and result in traumatic amputation or laceration.**

- Operate equipment with the guards correctly installed.
- Keep hands and feet away from rotating parts.
- Remove jewelry and make sure that long hair is away from all rotating parts.
- Do not wear loose clothes or items that could become caught.



### WARNING

**Fast retraction of the starter cord (kickback) will pull your hand and arm to the engine faster than you can let go. Broken bones, fractures, bruises or sprains could result.**

- To prevent kickback when you start the engine, pull the starter cord slowly until resistance is felt and then pull quickly.
- Before you start the engine, disconnect or remove all external equipment and engine loads.
- Make sure that direct-coupled equipment components, such as, but not limited to, blades, impellers, pulleys, and sprockets, are correctly attached.

1. Check the engine oil. Refer to the **Check Oil Level** section.
2. Make sure that the equipment drive controls, if installed, are disengaged.
3. Turn the fuel shut-off valve (A, Figure 6), if installed, to the OPEN position
4. Move the throttle control (B, Figure 6), if installed, to the FAST position.
5. **For models with a choke control** (C, Figure 6), move the choke control to the CLOSED position. **For models with a combination choke/throttle control** (G, Figure 6), move the control to the CHOKE position. **For models with ReadyStart®**, go to the next step.

**NOTE:** The choke is usually not necessary when you start a warm engine.

6. **For models with electric start**, turn the key switch (D, Figure 6), if installed, to the ON / START position.

**NOTICE** For models with electric start, an electric starter automatically starts when the key switch is at the ON / START position.

7. **For models with a Rewind Start**, turn the key switch (D, Figure 6), if installed, or other stop switch, to the ON position. Pull the starter cord (E, Figure 6) slowly until resistance is felt and then pull quickly.
8. As the engine warms, move the choke control (C, Figure 6), if installed, to the OPEN position.

## Stop the Engine



### WARNING

**Fuel and its vapors are flammable and explosive. Fire or explosion could result in burns or death.**

- Do not choke the carburetor (if equipped) to stop the engine.
1. Turn the key switch (D, Figure 6), if installed, or other stop switch, to the OFF position.
  2. Remove the key and keep it in a safe location.
  3. After the engine stops, turn the fuel shut-off (A, Figure 6), if installed, to the CLOSED position.

## Maintenance

### Maintenance Information



### WARNING

**Fuel and its vapors are flammable and explosive. Fire or explosion could result in burns or death.**

During maintenance if it is necessary to tilt the unit, make sure that the fuel tank, if mounted on the engine, is empty and that the spark plug side is up. If the fuel tank is not empty, leakage can occur and could result in a fire or an explosion. If the engine is tilted in a different direction, it will not easily start because of oil or fuel contamination of the air filter or the spark plug.



### WARNING

**Accidental engine spark can cause an electric shock, fire or explosion and could result in entanglement, traumatic amputation or laceration.**

#### Before you make adjustments or repairs:

- Disconnect all spark plug wires and keep them away from the spark plugs.
- Disconnect the battery wire from the negative battery terminal (only engines with electric start).
- Use only the correct tools.

#### When you check for spark:

- Use an approved spark plug tester.
- Do not check for spark with the spark plug removed.



### WARNING

Replacement parts must be of the same design and installed in the same position as the original parts. Other parts could result in damage or an injury.

### NOTICE

All the components used to build this engine must remain in place for correct operation.

See a Briggs & Stratton Authorized Service Dealer for all maintenance and servicing of the engine and engine parts.

## Emissions Control Service

**For maintenance, replacement, or repair of emissions control devices and systems, contact a qualified off-road engine repair establishment or service technician.** However, for "no charge" emissions control service, the work must be done by a factory authorized dealer. Refer to the Emissions Control Statements.

## Maintenance Schedule

<b>First 5 Hours</b>
<ul style="list-style-type: none"><li>• Change engine oil<sup>1</sup>.</li></ul>
<b>Intervals of 8 Hours or Daily</b>
<ul style="list-style-type: none"><li>• Check the engine oil level.</li><li>• Clean the area around the muffler and controls.</li><li>• Clean the air intake grille.</li></ul>
<b>Intervals of 25 Hours or Annually</b>

<ul style="list-style-type: none"> <li>• Clean the air filter<sup>2</sup>.</li> <li>• Clean the pre-cleaner<sup>2</sup>.</li> </ul>
<b>Intervals of 50 Hours or Annually</b>
<ul style="list-style-type: none"> <li>• Change the engine oil<sup>3</sup>.</li> <li>• Replace the oil filter (if installed)<sup>3</sup>.</li> <li>• Service the exhaust system.</li> </ul>
<b>Intervals of 100 Hours or Annually</b>
<ul style="list-style-type: none"> <li>• Change the engine oil<sup>4</sup>.</li> <li>• Replace the oil filter (if installed)<sup>4</sup>.</li> </ul>
<b>Annually</b>
<ul style="list-style-type: none"> <li>• Replace the spark plug.</li> <li>• Replace the air filter.</li> <li>• Replace the pre-cleaner.</li> <li>• Replace the fuel filter.</li> <li>• Service the cooling system<sup>1</sup>.</li> <li>• Check the valve clearance<sup>5</sup>.</li> </ul>

<sup>1</sup> Only engines without an oil filter.

<sup>2</sup> Clean more frequently in dusty conditions or when many particles are in the air.

<sup>3</sup> Engines without oil filter or with standard black oil filter. See *Specifications* section for the part number.

<sup>4</sup> Engines with high-efficiency yellow or orange oil filter. See *Specifications* section for the part number.

<sup>5</sup> Not required unless engine performance problems occur.

## Electronic Fuel Management System

The Electronic Fuel Management System monitors engine temperature, engine speed, and battery voltage to adjust the choke during engine start-up and warm-up. There are no adjustments on the system. If start-up or operation problems occur, speak to a Briggs & Stratton Authorized Service Dealer.

**NOTICE** Make sure that you follow these rules or the Electronic Fuel Management System could be damaged.

- DO NOT start the engine if the battery cables are loose.
- Before you connect the jump start cables, or disconnect or reconnect the battery cables, turn the ignition switch to the OFF position. When you charge the battery, turn the ignition switch to the OFF position.
- When you disconnect the battery cables from the battery, disconnect the negative (-) cable, and then disconnect the positive (+) cable to the battery. When you connect the battery cables to the battery, connect the positive (+) cable, and then the negative (-) cable to the battery.
- DO NOT use a battery charger to start the engine.
- DO NOT disconnect the battery cables during engine operation.
- DO NOT spray water directly on the Electronic Control Unit.

## Carburetor and Engine Speed

Do not make adjustments to the carburetor, governor spring, linkages, or other parts to adjust the engine speed. If adjustments are necessary, contact a Briggs & Stratton Authorized Service Dealer for servicing.

### NOTICE

The equipment manufacturer specifies the maximum speed for the engine as installed on the equipment. Do not exceed this speed. If you are not sure what the equipment maximum speed is, or what the engine speed is set to from the factory, contact a Briggs & Stratton Authorized Service Dealer for assistance. For safe and correct operation of the equipment, the engine speed should only be adjusted by a qualified service technician.

## Servicing the Spark Plug

Check the spark plug gap (A, Figure 7) with a wire gauge (B). If necessary, set the spark plug gap. Install and tighten the spark plug to the correct torque. For gap and torque specifications, refer to the *Specifications* section.

## Servicing the Exhaust and Cooling Systems



### WARNING

During operation, the engine and muffler become hot. If you touch a hot engine, thermal burns can occur.

**Combustible materials, such as leaves, grass and brush, can catch fire.**

- Before you touch the engine or muffler, stop the engine and wait two (2) minutes. Make sure that the engine and muffler are safe to touch.
- Remove debris from the muffler and engine.

It is a violation of California Public Resource Code, Section 4442, to use or operate the engine on any forest-covered, brush-covered, or grass-covered land unless the exhaust system is equipped with a spark arrester, as defined in section 4442, maintained in effective working order. Other states or federal jurisdictions may have similar laws; reference Federal Regulation 36 CFR Part 261.52. Contact the original equipment manufacturer, retailer, or dealer to obtain a spark arrester designed for the exhaust system installed on this engine.

This is an air cooled engine. Dirt or unwanted material can prevent air flow and cause the engine to become too hot. This results in unsatisfactory performance and decreases the life of the engine. The cylinder cooling fins can collect unwanted material that cannot be removed without partial disassembly of the engine. Make sure that a Briggs & Stratton Authorized Service Dealer examines and cleans the air cooling system. Refer to the *Maintenance Schedule*.

1. Make sure that no combustible materials are around and behind the muffler.
2. Use a brush or dry cloth to remove all unwanted material from the blower housing cover, muffler and cylinder area. DO NOT use water to clean the engine.
3. Make sure that the linkage, springs, and controls are clean.
4. Examine the muffler for cracks, corrosion, or other damage.
5. Remove the deflector or the spark arrester, if installed, and examine for damage or carbon blockage. Make sure that you clean or install the replacement parts before you operate the equipment.

## Change Engine Oil



### WARNING

Fuel and its vapors are flammable and explosive. Fire or explosion could result in burns or death.

During operation, the engine and muffler become hot. If you touch a hot engine, thermal burns can occur.

- If you drain the oil from the top oil fill tube, the fuel tank must be empty. If it is not empty, fuel leakage can occur and cause a fire or an explosion.
- Before you touch the engine or muffler, stop the engine and wait two (2) minutes. Make sure that the engine and muffler are safe to touch.

Used oil is a hazardous waste product and must be discarded of correctly. Do not discard with household waste. Contact your local authorities, service center, or dealer for safe disposal or recycling facilities.

### Remove Oil

1. With the engine OFF but warm, disconnect the spark plug wire(s) (D, Figure 8), and keep it away from the spark plugs (E).
2. Remove the dipstick (A, Figure 9).

### Oil Drain Plug, if installed

1. Remove the oil drain plug (F, Figure 10). Drain the oil into an approved container.

**NOTE:** The oil drain plugs (G, Figure 10) can be installed in the engine.

2. After the oil has drained, install and tighten the oil drain plug (F, Figure 10).

### Quick Oil Drain, if installed

1. Disconnect the quick oil drain hose (H, Figure 11) from the side of the engine.
2. Turn and remove the oil drain cap (I, Figure 11). Carefully lower the quick oil drain (H) into an approved container (J).
3. After the oil has drained, install the quick oil drain cap (I, Figure 11). Attach the quick oil drain hose (H) to the side of the engine.

### Change the Oil Filter

1. Drain the oil from the engine. Refer to the *Remove Oil* section.
2. Remove the oil filter (H, Figure 12) and discard correctly.
3. Before you install the new oil filter, lightly lubricate the oil filter gasket with clean oil.
4. Install the oil filter by hand until the gasket touches the oil filter adapter, then tighten the oil filter 1/2 to 3/4 turns.

- Add oil. Refer to the **Add Oil** section.
- Start and operate the engine. When the engine is warm, do a check for oil leaks.
- Stop the engine. Make sure that oil level is at the top of the full indicator on the dipstick. Refer to the **Add Oil** section.

### Add Oil

- Make sure the engine is level.
  - Clean the oil fill area of all debris.
  - Refer to the **Specifications** section for oil capacity.
- Remove the dipstick (A, Figure 4). Remove oil from the dipstick with a clean cloth.
  - Slowly add oil into the engine oil fill (C, Figure 4). **Do not put too much oil in the engine oil fill.** Wait one minute and then check the oil level.

**NOTE:** Do not add oil at the quick oil drain, if equipped.

- Install and tighten the dipstick (A, Figure 4).
- Remove the dipstick and check the oil level. The correct oil level is at the top of the full indicator (B, Figure 4) on the dipstick.
- Install and tighten the dipstick (A, Figure 4).
- Connect the spark plug wire(s) to the spark plug(s). See **Remove Oil** section.

### Servicing the Air Filter

**WARNING**  Fuel vapors are flammable and explosive. Fire or explosion could result in burns or death.

- Do not start and operate the engine with the air cleaner assembly (if equipped) or the air filter (if equipped) removed.

#### NOTICE

Do not use pressurized air or solvents to clean the filter. Pressurized air could result in damage to the filter and solvents will dissolve the filter.

See the **Maintenance Schedule** for servicing requirements.

Different models will use a foam or a paper filter. Some models could also have an optional pre-cleaner that can be cleaned and used again. Compare the illustrations in this manual with the type installed on your engine and service as follows.

#### Paper Air Filter

- Pull up on the cover handle (A, Figure 13). Turn the cover handle in the direction of the engine and then remove the cover (B).
- Remove the pre-cleaner (C, Figure 13), if installed, and the filter (D).
- To loosen unwanted material, lightly tap the filter (D, Figure 13) on a hard surface. If the filter is dirty, replace it with a new filter.
- Clean the pre-cleaner (C, Figure 13), in liquid detergent and water. Let the pre-cleaner (C) fully air dry. **DO NOT** lubricate the pre-cleaner.
- Assemble the dry pre-cleaner (C, Figure 13) and the filter (D) to the engine base (E).
- Align the tabs (F, Figure 13) on the cover (B) with the slots (G) in the blower housing.
- Turn the cover handle (A, Figure 13) back and push down to lock it in position.

#### Paper Air Filter

- Loosen the fastener(s) (A, Figure 14).
- Remove the cover (B, Figure 14).
- To remove the filter (C, Figure 14), lift the end of the filter, and then pull the filter off the intake (D).
- To loosen unwanted material, lightly tap the filter (D, Figure 14) on a hard surface. If the filter is dirty, replace it with a new filter.
- Remove the pre-cleaner (E, Figure 14), if installed, from the filter (C).
- Clean the pre-cleaner (E, Figure 14), in liquid detergent and water. Let the pre-cleaner fully air dry. **DO NOT** lubricate the pre-cleaner.
- Assemble the dry pre-cleaner (E, Figure 14), if installed, to the filter (C).
- Install the filter (C, Figure 14) on the intake (D). Push the end of the filter down into the engine base. Make sure that the filter is tight at the engine base.
- Install the air filter cover (B, Figure 14) and attach with fastener(s)

### Servicing the Fuel System

**WARNING**  Fuel and its vapors are flammable and explosive. Fire or explosion could result in burns or death.

- Keep fuel away from sparks, open flames, pilot lights, heat, and other ignition sources.
- Frequently examine the fuel lines, fuel tank, fuel cap, and connections for cracks or leaks. Replace damaged parts.
- If fuel spills, wait until it dries before you start the engine.

#### Fuel Filter, if installed


- Before you replace the fuel filter (A, Figure 15), drain the fuel tank or close the fuel shut-off valve. If the fuel tank is not drained, fuel leakage can occur and cause a fire or explosion.
- Squeeze the tabs (B, Figure 15) on the clamps (C) with pliers. Move the clamps away from the fuel filter (A).
- Twist and pull the fuel lines (D, Figure 15) off of the fuel filter.
- Examine the fuel lines (D, Figure 15) for cracks or leaks. If it is necessary, replace the fuel lines.
- Replace the fuel filter (A, Figure 15).
- Attach the fuel lines (D, Figure 15) with clamps (C).

#### Fuel Strainer, if installed

- Remove the fuel cap (A, Figure 16).
- Remove the fuel strainer (B, Figure 16).
- If the fuel strainer is dirty, clean or replace it. If you replace the fuel strainer, make sure to use an original equipment replacement fuel strainer.

### Storage Fuel System

Refer to Figure: 17.

**WARNING**  Fuel and its vapors are flammable and explosive. Fire or explosion could result in burns or death.

#### Fuel Storage

- Because pilot lights or other ignition sources can cause explosions, keep fuel or equipment away from furnaces, stoves, water heaters or other appliances that have pilot lights.

Keep the engine level (normal operating position). Fill the fuel tank (A, Figure 17) with fuel. For fuel expansion, do not fill above the fuel tank neck (B).

Fuel can become stale when kept in a storage container for more than 30 days. The use of an alcohol-free fuel stabilizer and ethanol treatment in the fuel storage container is recommended to prevent fuel degradation and keep the fuel fresh.

When you fill the fuel container with fuel, add an alcohol-free fuel stabilizer as specified by the manufacturer's instructions. If gasoline in the engine has not been treated with a fuel stabilizer, it must be drained into an approved container. Operate the engine until it is out of fuel.

### Engine Oil

While the engine is still warm, change the engine oil. Refer to **Change the Engine Oil** section.

### Troubleshooting Assistance

For assistance, contact your local dealer or go to **BRIGGSandSTRATTON.COM** or call **1-800-444-7774** (in USA).

### Specifications and Service Parts

Specifications	Model: 210000	Model: 310000
Displacement	21.01 ci (344 cc)	30.59 ci (501 cc)
Bore	3.437 in (87,30 mm)	3.563 in (90,49 mm)
Stroke	2.264 in (57,51 mm)	3.062 in (77,77 mm)
Oil Capacity - without filter	42 - 44 oz (1,24 - 1,30 L)	42 - 44 oz (1,24 - 1,30 L)
Oil Capacity - with filter	46 - 48 oz (1,36 - 1,40 L)	46 - 48 oz (1,36 - 1,40 L)



Specifications	Model: 210000	Model: 310000
Spark Plug Gap	.030 in (.76 mm)	.030 in (.76 mm)
Spark Plug Torque	180 lb-in (20 Nm)	180 lb-in (20 Nm)
Armature Air Gap	0.010 - 0.014 in (0,25 - 0,36 mm)	0.010 - 0.014 in (0,25 - 0,36 mm)
Intake Valve Clearance	0.003 - .005 in (0,08 - 0,13 mm)	0.003 - .005 in (0,08 - 0,13 mm)
Exhaust Valve Clearance	0.005 - 0.007 in (0,13 - 0,18 mm)	0.005 - 0.007 in (0,13 - 0,18 mm)

## Service Parts

To purchase Briggs & Stratton service parts, find an Authorized Service Dealer at BRIGGSandSTRATTON.COM. You will need your identification number (model - type - trim). Refer to the **Features and Controls** section to find your engine identification number.



## Power Ratings

The gross power rating for individual gasoline engine models is labeled in accordance with SAE (Society of Automotive Engineers) code J1940 Small Engine Power & Torque Rating Procedure, and is rated in accordance with SAE J1995. Torque values are derived at 2600 RPM for those engines with "rpm" called out on the label and 3060 RPM for all others; horsepower values are derived at 3600 RPM. The gross power curves can be viewed at www.BRIGGSandSTRATTON.COM. Net power values are taken with exhaust and air cleaner installed whereas gross power values are collected without these attachments. Actual gross engine power will be higher than net engine power and is affected by, among other things, ambient operating conditions and engine-to-engine variability. Given the wide array of products on which engines are placed, the gasoline engine may not develop the rated gross power when used in a given piece of power equipment. This difference is due to a variety of factors including, but not limited to, the variety of engine components (air cleaner, exhaust, charging, cooling, carburetor, fuel pump, etc.), application limitations, ambient operating conditions (temperature, humidity, altitude), and engine-to-engine variability. Due to manufacturing and capacity limitations, Briggs & Stratton may substitute an engine of higher rated power for this engine.

## Warranty

### Briggs & Stratton® Engine Warranty

Effective August 2022

#### Limited Warranty

Briggs & Stratton warrants that, during the warranty period specified below, it will repair or replace, free of charge, with a new, reconditioned or re-manufactured part, at the sole discretion of Briggs & Stratton, any part that is defective in material or workmanship or both. Transportation charges on product submitted for repair or replacement under this warranty must be borne by purchaser. This warranty is effective for and is subject to the time periods and conditions stated below. For warranty service, find the nearest Authorized Service Dealer in our dealer locator map at BRIGGSandSTRATTON.COM. The purchaser must contact the Authorized Service Dealer, and then make the product available to the Authorized Service Dealer for inspection and testing.

**There is no other express warranty. Implied warranties, including those of merchantability and fitness for a particular purpose, are limited to one year from purchase, or to the extent permitted by law. All other implied warranties are excluded. Liability for incidental or consequential damages are excluded to the extent exclusion is permitted by law.** Some states or countries do not allow limitations on how long an implied warranty lasts, and some states or countries do not allow the exclusion or limitation of incidental or consequential damages, so the above limitation and exclusion may not apply to you. This warranty gives you specific legal rights and you may also have other rights which vary from state to state and country to country.

#### Standard Warranty Terms<sup>1, 2</sup>

##### Vanguard®; Commercial Series

Consumer Use - 36 months

Commercial Use - 36 months

##### XR Series

Consumer Use - 24 months

Commercial Use - 24 months

##### All Other Engines Featuring Dura-Bore™ Cast Iron Sleeve

Consumer Use - 24 months

Commercial Use - 12 months

##### All Other Engines

#### Standard Warranty Terms<sup>1, 2</sup>

Consumer Use - 24 months

Commercial Use - 3 months

<sup>1</sup>These are our standard warranty terms, but occasionally there may be additional warranty coverage that was not determined at time of publication. For a listing of current warranty terms for your engine, go to BRIGGSandSTRATTON.COM or contact your Briggs & Stratton Authorized Service Dealer.

<sup>2</sup>There is no warranty for engines on equipment used for prime power in place of a utility; standby generators used for commercial purposes, utility vehicles exceeding 25 MPH, or engines used in competitive racing or on commercial or rental tracks.

\* In Australia - Our goods come with guarantees that cannot be excluded under the Australian Consumer Law. You are entitled to a replacement or refund for a major failure and for compensation for any other reasonably foreseeable loss or damage. You are also entitled to have the goods repaired or replaced if the goods fail to be of acceptable quality and the failure does not amount to a major failure. For warranty service, find the nearest Authorized Service Dealer in our dealer locator map at BRIGGSandSTRATTON.COM, or by calling 1300 274 447, or by emailing or writing to salesenquiries@briggsandstratton.com.au, Briggs & Stratton Australia Pty Ltd, 1 Moorebank Avenue, Moorebank, NSW, Australia, 2170.

The warranty period begins on the date of purchase by the first retail consumer or commercial end user, and continues for the period of time stated in the table above. "Consumer use" means personal residential household use by a retail consumer. "Commercial use" means all other uses, including use for commercial, income producing or rental purposes. Once an engine has experienced commercial use, it shall thereafter be considered as a commercial use engine for purposes of this warranty.

**No warranty registration is necessary to obtain warranty on Briggs & Stratton products. Save your proof of purchase receipt. If you do not provide proof of the initial purchase date at the time warranty service is requested, the manufacturing date of the product will be used to determine the warranty period.**

#### About Your Warranty

This limited warranty covers engine-related material and/or workmanship issues only, and not replacement or refund of the equipment to which the engine may be mounted. Routine maintenance, tune-ups, adjustments, or normal wear and tear are not covered under this warranty. Similarly, warranty is not applicable if the engine has been altered or modified or if the engine serial number has been defaced or removed. This warranty does not cover engine damage or performance problems caused by:

1. The use of parts that are not original Briggs & Stratton parts;
2. Operating the engine with insufficient, contaminated, or an incorrect grade of lubricating oil;
3. The use of contaminated or stale fuel, gasoline formulated with ethanol greater than 10%, or the use of alternative fuels such as liquefied petroleum or natural gas on engines not originally designed/manufactured by Briggs & Stratton to operate on such fuels;
4. Dirt which entered the engine because of improper air cleaner maintenance or reassembly;
5. Striking an object with the cutter blade of a rotary lawn mower, loose or improperly installed blade adapters, impellers, or other crankshaft coupled devices, or excessive v-belt tightness;
6. Associated parts or assemblies such as clutches, transmissions, equipment controls, etc., which are not supplied by Briggs & Stratton;
7. Overheating due to grass clippings, dirt and debris, or rodent nests which plug or clog the cooling fins or flywheel area, or by operating the engine without sufficient ventilation;
8. Excessive vibration due to over-speeding, loose engine mounting, loose or unbalanced cutter blades or impellers, or improper coupling of equipment components to the crankshaft;
9. Misuse, lack of routine maintenance, shipping, handling, or warehousing of equipment, or improper engine installation.

Warranty service is available only through Briggs & Stratton Authorized Service Dealers. Locate your nearest Authorized Service Dealer in our dealer locator map at BRIGGSandSTRATTON.COM or by calling 1-800-444-7774 (in USA).

80114782 (Revision A)

## Briggs & Stratton Emissions Warranty

**California, U.S. EPA, and Briggs & Stratton, LLC Emissions Control Warranty - Your Warranty Rights and Obligations For Briggs & Stratton Engine Models with "B" or "G" Trim Designation (Model-Type-Trim Representation xxxxxx xxxx Bx or xxxxxx xxxx Gx)**

The California Air Resources Board, U.S. EPA, and Briggs & Stratton (B&S) are pleased to explain the exhaust emissions ("emissions") control system warranty on your 2021-2023 engine. In California, new small off-road engines and large spark ignited engines less than or equal to 1.0 liter must be designed, built, and equipped

to meet the State's stringent anti-smog standards. B&S must warrant the emissions control system on your engine for the periods of time listed below provided there has been no abuse, neglect or improper maintenance of your small off-road engine or equipment leading to the failure of the emissions control system.

Your emissions control system may include parts such as the carburetor or fuel-injection system, the ignition system, catalytic converter, fuel tanks, fuel lines (for liquid fuel and fuel vapors), fuel caps, valves, canisters, filters, clamps and other associated components. Also included may be hoses, belts, connectors, and other emission-related assemblies.

Where a warrantable condition exists, B&S will repair your engine at no cost to you including diagnosis, parts, and labor.

#### Manufacturer's Warranty Coverage:

The exhaust emissions control system on your engine is warranted for two years. If any emissions-related part on your engine is defective, the part will be repaired or replaced by B&S.

#### Owner's Warranty Responsibilities:

- As the engine owner, you are responsible for the performance of the required maintenance listed in your owner's manual. B&S recommends that you retain all receipts covering maintenance on your engine, but B&S cannot deny warranty coverage solely for the lack of receipts or for your failure to ensure the performance of all scheduled maintenance.
- As the engine owner, you should however be aware that B&S may deny you warranty coverage if your engine or a part has failed due to abuse, neglect, or improper maintenance or unapproved modifications.
- You are responsible for presenting your engine to a B&S distribution center or service center as soon as the problem exists. The warranty repairs shall be completed in a reasonable amount of time, not to exceed 30 days. If you have a question regarding your warranty rights and responsibilities, you should contact B&S at 1-800-444-7774 (in USA) or BRIGGSandSTRATTON.COM.

#### Briggs & Stratton Emissions Control Warranty Provisions

The following are specific provisions relative to your Emissions Control Warranty Coverage. It is in addition to the B&S engine warranty for non-regulated engines found in the Operator's Manual.

##### 1. Warranted Emissions Parts

Coverage under this warranty extends only to the parts listed below (the emissions control systems parts) to the extent these parts were present on the B&S engine.

###### a. Fuel Metering System

- Cold start enrichment system (soft choke)
- Carburetor or fuel injection system
- Oxygen sensor
- Electronic control unit
- Fuel pump module

###### b. Air Induction System

- Air cleaner
- Intake manifold

###### c. Ignition System

- Spark plug(s)
- Magneto ignition system

###### d. Catalyst System

- Catalytic converter
- Exhaust manifold
- Air injection system or pulse valve

###### e. Miscellaneous Items Used in Above Systems

- Vacuum, temperature, position, time sensitive valves and switches
- Connectors and assemblies
- Electronic controls

##### 2. Length of Coverage

Coverage is for a period of two years from the date of delivery to an ultimate purchaser, or for the time period listed in the respective engine or product warranty statement, whichever is greater. B&S warrants to the original purchaser and each subsequent purchaser that the engine is designed, built, and equipped so as to conform with all applicable regulations adopted by the Air Resources Board; that it is free from defects in material and workmanship that could cause the failure of a warranted part; and that it is identical in all material respects to the engine described in the manufacturer's application for certification. The warranty period begins on the date the engine or equipment is delivered to an ultimate purchaser.

The warranty on emissions-related parts is as follows:

- Any warranted part that is not scheduled for replacement as required maintenance in the Operator's Manual supplied, is warranted for the warranty period stated above. If any such part fails during the period of warranty coverage, the part will be repaired or replaced by B&S at no charge to the owner. Any such part repaired or replaced under the warranty will be warranted for the remaining warranty period.
- Any warranted part that is scheduled only for regular inspection in the Operator's Manual supplied, is warranted for the warranty period stated above. Any such part repaired or replaced under warranty will be warranted for the remaining warranty period.
- Any warranted part that is scheduled for replacement as required maintenance in the Operator's Manual supplied, is warranted for the period of time prior to the first scheduled replacement point for that part. If the part fails prior to the first scheduled replacement, the part will be repaired or replaced by B&S at no charge to the owner. Any such part repaired or replaced under warranty will be warranted for the remainder of the period prior to the first scheduled replacement point for the part.
- Add-on or modified parts that are not exempted by the Air Resources Board may not be used. The use of any non-exempted add-on or modified parts by the owner will be grounds for disallowing a warranty claim. The manufacturer will not be liable to warrant failures of warranted parts caused by the use of a non-exempted add-on or modified part.

##### 3. Consequential Coverage

Coverage shall extend to the failure of any engine components caused by the failure of any warranted emissions parts.

##### 4. Claims and Coverage Exclusions

Warranty claims shall be filed according to the provisions of the B&S engine warranty policy. Warranty coverage does not apply to failures of emissions parts that are not original equipment B&S parts or to parts that fail due to abuse, neglect, or improper maintenance as set forth in the B&S engine warranty policy. B&S is not liable for warranty coverage of failures of emissions parts caused by the use of add-on or modified parts.

#### Look For Relevant Emissions Durability Period and Air Index Information On Your Small Off-Road Engine Emissions Label

Engines that are certified to meet the California Air Resources Board (CARB) small off-road Emissions Standard must display information regarding the Emissions Durability Period and the Air Index. Briggs & Stratton makes this information available to the consumer on our emissions labels. The engine emissions label will indicate certification information.

The **Emissions Durability Period** describes the number of hours of actual running time for which the engine is certified to be emissions compliant, assuming proper maintenance in accordance with the Operator's Manual. The following categories are used:

##### Moderate:

Engines at or less than 80 cc displacement are certified to be emissions compliant for 50 hours of actual engine running time. Engines greater than 80 cc displacement are certified to be emissions compliant for 125 hours of actual engine running time.

##### Intermediate:

Engines at or less than 80 cc displacement are certified to be emissions compliant for 125 hours of actual engine running time. Engines greater than 80 cc displacement are certified to be emissions compliant for 250 hours of actual engine running time.

##### Extended:

Engines at or less than 80 cc displacement are certified to be emissions compliant for 300 hours of actual engine running time. Engines greater than 80 cc displacement are certified to be emissions compliant for 500 hours of actual engine running time.

For example, a typical walk-behind lawn mower is used 20 to 25 hours per year. Therefore, the **Emissions Durability Period** of an engine with an **intermediate** rating would equate to 10 to 12 years.

Briggs & Stratton engines are certified to meet the United States Environmental Protection Agency (USEPA) Phase 2 or Phase 3 emissions standards. The Emissions Compliance Period referred to on the Emissions Compliance label indicates the number of operating hours for which the engine has been shown to meet Federal emissions requirements.

**For engines at or less than 80 cc displacement:**

Category C = 50 hours, Category B = 125 hours, Category A = 300 hours

**For engines greater than 80 cc displacement and less than 225 cc displacement:**

Category C = 125 hours, Category B = 250 hours, Category A = 500 hours

**For engines of 225 cc or more displacement:**

Category C = 250 hours, Category B = 500 hours, Category A = 1000 hours

80106344 (Revision A)

## Briggs & Stratton Emissions Warranty

**California, U.S. EPA, and Briggs & Stratton, LLC Emissions Control Warranty - Your Warranty Rights and Obligations**  
**For Briggs & Stratton Engine Models with "F" Trim Designation (Model-Type-Trim Representation xxxxxx xxxx Fx)**

The California Air Resources Board, U.S. EPA, and Briggs & Stratton (B&S) are pleased to explain the exhaust and evaporative emissions ("emissions") control system warranty on your 2021-2023 engine. In California, new equipment that use small off-road engines must be designed, built, and equipped to meet the State's stringent anti-smog standards. B&S must warrant the emissions control system on your engine/equipment for the periods of time listed below provided there has been no abuse, neglect or improper maintenance of your small off-road engine or equipment leading to the failure of the emissions control system.

Your emissions control system may include parts such as the carburetor or fuel-injection system, the ignition system, catalytic converter, fuel tanks, fuel lines (for liquid fuel and fuel vapors), fuel caps, valves, canisters, filters, clamps and other associated components. Also included may be hoses, belts, connectors, and other emission-related assemblies.

Where a warrantable condition exists, B&S will repair your engine/equipment at no cost to you including diagnosis, parts, and labor.

**Manufacturer's Warranty Coverage:**

The exhaust and evaporative emissions control system on your engine/equipment is warranted for two years. If any evaporative emission-related part on your engine/equipment is defective, the part will be repaired or replaced by B&S.

**Owner's Warranty Responsibilities:**

- As the engine/equipment owner, you are responsible for the performance of the required maintenance listed in your owner's manual. B&S recommends that you retain all receipts covering maintenance on your engine, but B&S cannot deny warranty coverage solely for the lack of receipts or for your failure to ensure the performance of all scheduled maintenance.
- As the engine/equipment owner, you should however be aware that B&S may deny you warranty coverage if your engine/equipment or a part has failed due to abuse, neglect, or improper maintenance or unapproved modifications.
- You are responsible for presenting your engine/equipment to a B&S distribution center or service center as soon as the problem exists. The warranty repairs shall be completed in a reasonable amount of time, not to exceed 30 days. If you have a question regarding your warranty rights and responsibilities, you should contact B&S at 1-800-444-7774 (in USA) or BRIGGSandSTRATTON.COM.

**Briggs & Stratton Emissions Control Warranty Provisions**

The following are specific provisions relative to your Emissions Control Warranty Coverage. It is in addition to the B&S engine warranty for non-regulated engines found in the Operator's Manual.

1. **Warranted Emissions Parts**  
Coverage under this warranty extends only to the parts listed below (the emissions control systems parts) to the extent these parts were present on the B&S engine and/or B&S supplied fuel system.
  - a. **Fuel Metering System**
    - Cold start enrichment system (soft choke)
    - Carburetor or fuel injection system
    - Oxygen sensor
    - Electronic control unit
    - Fuel pump module
    - Fuel line (for liquid fuel and fuel vapors), fuel line fittings, clamps
    - Fuel tank, cap and tether
    - Carbon canister and mounting bracket
    - Pressure relief valves
    - Liquid/Vapor separator
  - b. **Air Induction System**
    - Air cleaner
    - Intake manifold
    - Purge and vent line
  - c. **Ignition System**
    - Spark plug(s)
    - Magneto ignition system
  - d. **Catalyst System**
    - Catalytic converter
    - Exhaust manifold
    - Air injection system or pulse valve
  - e. **Miscellaneous Items Used in Above Systems**
    - Vacuum, temperature, position, time sensitive valves and switches
    - Connectors and assemblies
    - Electronic controls
2. **Length of Coverage**  
Coverage is for a period of two years from the date of delivery to an ultimate purchaser, or for the time period listed in the respective engine or product warranty statement, whichever is greater. B&S warrants to the original purchaser and each subsequent purchaser that the engine is designed, built, and equipped so as to conform with all applicable regulations adopted by the Air Resources Board; that it is free from defects in material and workmanship that could cause the failure of a warranted part; and that it is identical in all material respects to the engine described in the manufacturer's application for certification. The warranty period begins on the date the engine or equipment is delivered to an ultimate purchaser.  
The warranty on emissions-related parts is as follows:
  - Any warranted part that is not scheduled for replacement as required maintenance in the Operator's Manual supplied, is warranted for the warranty period stated above. If any such part fails during the period of warranty coverage, the part will be repaired or replaced by B&S at no charge to the owner. Any such part repaired or replaced under the warranty will be warranted for the remaining warranty period.
  - Any warranted part that is scheduled only for regular inspection in the Operator's Manual supplied, is warranted for the warranty period stated above. Any such part repaired or replaced under warranty will be warranted for the remaining warranty period.
  - Any warranted part that is scheduled for replacement as required maintenance in the Operator's Manual supplied, is warranted for the period of time prior to the first scheduled replacement point for that part. If the part fails prior to the first scheduled replacement, the part will be repaired or replaced by B&S at no charge to the owner. Any such part repaired or replaced under warranty will be warranted for the remainder of the period prior to the first scheduled replacement point for the part.
  - Add-on or modified parts that are not exempted by the Air Resources Board may not be used. The use of any non-exempted add-on or modified parts by the owner will be grounds for disallowing a warranty claim. The manufacturer will not be liable to warrant failures of warranted parts caused by the use of a non-exempted add-on or modified part.
3. **Consequential Coverage**  
Coverage shall extend to the failure of any engine components caused by the failure of any warranted emissions parts.

4. Claims and Coverage Exclusions

Warranty claims shall be filed according to the provisions of the B&S engine warranty policy. Warranty coverage does not apply to failures of emissions parts that are not original equipment B&S parts or to parts that fail due to abuse, neglect, or improper maintenance as set forth in the B&S engine warranty policy. B&S is not liable for warranty coverage of failures of emissions parts caused by the use of add-on or modified parts.

**Look For Relevant Emissions Durability Period and Air Index Information On Your Small Off-Road Engine Emissions Label**

Engines that are certified to meet the California Air Resources Board (CARB) small off-road Emissions Standard must display information regarding the Emissions Durability Period and the Air Index. Briggs & Stratton makes this information available to the consumer on our emissions labels. The engine emissions label will indicate certification information.

The **Emissions Durability Period** describes the number of hours of actual running time for which the engine is certified to be emissions compliant, assuming proper maintenance in accordance with the Operator's Manual. The following categories are used:

**Moderate:**

Engines at or less than 80 cc displacement are certified to be emissions compliant for 50 hours of actual engine running time. Engines greater than 80 cc displacement are certified to be emissions compliant for 125 hours of actual engine running time.

**Intermediate:**

Engines at or less than 80 cc displacement are certified to be emissions compliant for 125 hours of actual engine running time. Engines greater than 80 cc displacement are certified to be emissions compliant for 250 hours of actual engine running time.

**Extended:**

Engines at or less than 80 cc displacement are certified to be emissions compliant for 300 hours of actual engine running time. Engines greater than 80 cc displacement are certified to be emissions compliant for 500 hours of actual engine running time.

For example, a typical walk-behind lawn mower is used 20 to 25 hours per year. Therefore, the **Emissions Durability Period** of an engine with an **intermediate** rating would equate to 10 to 12 years.

Briggs & Stratton engines are certified to meet the United States Environmental Protection Agency (USEPA) Phase 2 or Phase 3 emissions standards. The Emissions Compliance Period referred to on the Emissions Compliance label indicates the number of operating hours for which the engine has been shown to meet Federal emissions requirements.

**For engines at or less than 80 cc displacement:**

Category C = 50 hours, Category B = 125 hours, Category A = 300 hours

**For engines greater than 80 cc displacement and less than 225 cc displacement:**

Category C = 125 hours, Category B = 250 hours, Category A = 500 hours

**For engines of 225 cc or more displacement:**

Category C = 250 hours, Category B = 500 hours, Category A = 1000 hours

80106346 (Revision A)

## Informasi Umum



Panduan ini berisi informasi keselamatan tentang bahaya dan risiko terkait mesin dan cara mencegahnya. Panduan ini juga berisi pengoperasian dan perawatan mesin yang benar. Penting bagi Anda untuk membaca, memahami, dan mematuhi instruksi ini. **Simpan panduan ini untuk referensi di lain waktu.**

**PERHATIKAN:** Angka-angka dan ilustrasi dalam pedoman ini hanya sebagai informasi dan mungkin saja berbeda dari model yang Anda miliki. Gunakan angka yang sejajar dengan konfigurasi mesin Anda. Apabila perlu, hubungi Penyalur Servis Resmi.

Catat tanggal pembelian, model, tipe, trim, dan nomor seri mesin untuk suku cadang pengganti. Nomor tersebut ada di mesin Anda. Lihat bagian **Fitur dan Kontrol**.

Tanggal Pembelian	
Model - Tipe - Trim Mesin	
Nomor Seri Mesin	

## Informasi Kontak Kantor Eropa

Untuk pertanyaan mengenai emisi Eropa, hubungi kantor Eropa kami yang beralamat di: id="European\_Contact\_Info"Max-Born-Straße 2, 68519 Viernheim, Jerman.

## Uni Eropa (UE) Tahap V (5): Nilai Karbon Dioksida (CO2)

Masukkan CO2 dalam jendela pencarian pada BriggsandStratton.com untuk mencari nilai karbon dioksida mesin Sertifikat Persetujuan Tipe UE Briggs & Stratton.

## Keselamatan Operator

### Simbol Peringatan dan Kata-kata Sinyal Terkait Keselamatan



Simbol peringatan keselamatan mengidentifikasi informasi keselamatan tentang bahaya yang dapat berakibat cedera pribadi. Kata peringatan (**BAHAYA**, **PERINGATAN**, atau **PERHATIAN**) digunakan untuk menunjukkan kemungkinan dan keparahan potensi cedera. Selain itu, simbol bahaya digunakan untuk mewakili tipe bahaya.

**BAHAYA** mengindikasikan bahaya yang, jika tidak dihindari, akan mengakibatkan kematian atau cedera serius.

**PERINGATAN** mengindikasikan bahaya yang, jika tidak dihindari, dapat mengakibatkan kematian atau cedera serius.

**PERHATIAN** menunjukkan bahaya yang, jika tidak dihindari, dapat mengakibatkan cedera ringan atau sedang.

**PEMBERITAHUAN** menunjukkan informasi yang dianggap penting namun tidak berkaitan dengan bahaya.

### Simbol Keselamatan dan Artinya

	Informasi keselamatan mengenai bahaya yang dapat mengakibatkan cedera diri.		Baca dan pahami Panduan Operator sebelum mengoperasikan atau menyervis unit.
	Bahaya Kebakaran		Bahaya Ledakan
	Bahaya Sengatan Listrik		Bahaya Asap Beracun
	Bahaya Permukaan Panas		Bahaya Hentakan Balik



Bahaya Amputasi - Komponen yang Bergerak



Tingkat Bahan Bakar - Maksimum  
Jangan Mengisi Terlalu Penuh

## Pesan Keselamatan



### PERINGATAN

Mesin Briggs & Stratton® tidak dirancang untuk dan tidak untuk digunakan untuk menggerakkan: fun-kart; go-kart; anak, rekreasi, kendaraan serbaguna (all-terrain vehicle/ATV), sepeda motor; hovercraft; produk pesawat; atau kendaraan yang digunakan pada acara pertandingan yang tidak disetujui oleh Briggs & Stratton. Untuk informasi mengenai produk balap kompetitif, lihat [www.briggsracing.com](http://www.briggsracing.com). Untuk penggunaan dengan utilitas dan ATV berpendinginan, hubungi Pusat Penerapan Daya Briggs & Stratton, 1-866-927-3349. Penggunaan mesin yang keliru dapat menyebabkan cedera serius atau kematian.

## Informasi Daur Ulang



Daur ulang semua kardus, kotak, oli bekas, dan baterai sesuai peraturan pemerintah.

## Fitur dan Kontrol

### Kontrol Mesin

Bandingkan huruf timbul dalam Gambar 1, 2, dan 3 dengan kontrol mesin dalam daftar berikut:

- Nomor Identifikasi Mesin **Model - Tipe - Kode**
- Busi
- Pembersih Udara
- Handel Tali Starter (jika dipasang)
- Stik Pengukur Oli
- Penyumbat Oli
- Knalpot, Pelindung Knalpot (jika dipasang), Penahan Percikan Api (jika dipasang)
- Penutup Rumah Blower
- Filter Oli (jika dipasang)
- Starter Elektrik (jika dipasang)
- Karburator
- Filter Bahan Bakar (jika dipasang)
- Pompa Bahan Bakar (jika dipasang)
- Penguras Oli Cepat (jika dipasang)
- Unit Kontrol Elektronik (jika dipasang)

### Simbol Kontrol Mesin dan Artinya

	Kecepatan Mesin - CEPAT		Kecepatan Mesin - LAMBAT
	Kecepatan Mesin - BERHENTI		NYALA - MATI
	Mesin Menyala Cuk TERTUTUP		Mesin Menyala Cuk TERBUKA
	Tutup Bahan Bakar Penutup Bahan Bakar TERBUKA		Penutup Bahan Bakar TERTUTUP

## Operasi



### PERINGATAN

Uap bahan bakar mudah terbakar dan meledak. Kebakaran atau ledakan dapat mengakibatkan luka bakar atau kematian.

#### Apabila Anda mencium bau gas

- Jangan menyalakan mesin.
- Jangan menyalakan sakelar listrik.
- Jangan menggunakan telepon di daerah sekitarnya.
- Evakuasi area.
- Hubungi pemadam kebakaran.

#### Saat Anda mengoperasikan peralatan

- Jangan memiringkan mesin atau peralatan pada sudut yang menyebabkan bahan bakar tumpah.

#### Saat Anda memindahkan lokasi peralatan

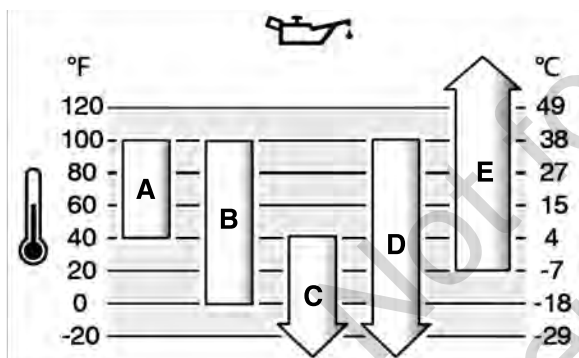
- Pastikan tangki bahan bakar KOSONG atau katup penutup bahan bakar, jika terpasang, berada dalam posisi TERTUTUP.

## Rekomendasi Oli

**Kapasitas Oli:** Lihat bagian *Spesifikasi*.

Kami menyarankan Anda agar menggunakan Oli Resmi Bergaransi Briggs & Stratton® untuk mendapatkan performa terbaik. Oli deterjen berkualitas tinggi lainnya diperbolehkan jika tergolong untuk servis SF, SG, SH, SJ, atau yang lebih tinggi. Jangan gunakan bahan aditif khusus.

Gunakan bagan berikut untuk memilih viskositas terbaik untuk perkiraan kisaran suhu luar ruangan. Mesin pada sebagian besar peralatan daya luar ruangan cocok dengan Oli Sintetik 5W-30. Untuk peralatan yang dioperasikan pada suhu panas, Oli Sintetik Vanguard® 15W-50 memberikan perlindungan yang terbaik.



A	SAE 30 - Pada suhu di bawah 40 °F (4 °C), penggunaan oli SAE 30 akan mengakibatkan penstarteran sulit.
B	10W-30 - Pada suhu di atas 80 °F (27 °C), penggunaan oli 10W-30 dapat menyebabkan bertambahnya konsumsi oli. Periksa ketinggian oli sesering mungkin.
C	5W-30
D	Sintetis 5W-30
E	Vanguard® Sintetik 15W-50

## Periksa Ketinggian Oli

Sebelum Anda memeriksa atau menambahkan oli

- Pastikan mesin dalam posisi datar.
- Bersihkan bagian lubang pengisian oli dari serpihan.
- Baca bagian *Spesifikasi* untuk mengetahui kapasitas oli.

### PEMBERITAHUAN

Mesin ini dikirim tanpa oli dari Briggs & Stratton. Penyalur atau produsen peralatan mungkin telah menambahkan oli pada mesin. Sebelum Anda menyalakan mesin untuk pertama kali, pastikan oli pada ketinggian yang benar. Tambahkan oli sesuai dengan instruksi pada pedoman ini. Apabila Anda menyalakan mesin tanpa oli, kerusakan akan terjadi pada mesin dan perbaikan mesin tidak akan ditanggung garansi.

1. Lepaskan stik pengukur oli (A, Gambar 4) dan bersihkan dengan lap bersih.
2. Pasang dan kencangkan stik pengukur oli (A, Gambar 4).
3. Lepaskan batang celup dan periksa level oli. Pastikan ketinggian oli berada di bagian atas indikator penuh (B, Gambar 4) dari stik pengukur oli.

4. Apabila ketinggian oli rendah, tuangkan oli perlahan-lahan ke dalam lubang pengisian oli pada mesin (C, Gambar 4). Jangan menambahkan terlalu banyak oli.
5. Tunggu selama satu menit, kemudian periksa kembali ketinggian oli. Pastikan ketinggian oli berada di bagian yang tepat.
6. Pasang dan kencangkan stik pengukur oli (A, Gambar 4).

## Sistem Perlindungan Ketinggian Oli Rendah (jika dipasang)

Sensor ketinggian oli rendah dipasang pada beberapa mesin. Apabila oli rendah, sensor akan menunjukkan lampu peringatan atau mematikan mesin. Matikan mesin dan ikuti langkah berikut sebelum menyalakan mesin.

- Pastikan mesin dalam posisi datar.
- Lakukan pemeriksaan oli. Lihat bagian *Cek Ketinggian Oli*.
- Apabila ketinggian oli rendah, tambahkan oli dalam jumlah yang tepat. Nyalakan mesin dan pastikan lampu peringatan (jika dipasang) tidak menyala.
- Apabila ketinggian oli tidak rendah, jangan menyalakan mesin. Hubungi Penyalur Servis Resmi Briggs & Stratton untuk memperbaiki masalah oli.

## Rekomendasi Bahan Bakar

**Bahan bakar harus memenuhi persyaratan berikut:**

- Bensin bersih, baru, dan tanpa timbal.
- Nilai oktan minimal 87/87 AKI (91 RON). Penggunaan di tempat tinggi, lihat di bawah.
- Bensin dengan kandungan etanol (gasohol) hingga 10% diperbolehkan.

### PEMBERITAHUAN

Jangan menggunakan bensin yang tidak disetujui, seperti E15 dan E85. Jangan mencampurkan oli ke dalam bensin atau mengganti mesin untuk dioperasikan dengan bahan bakar pengganti. Penggunaan bahan bakar yang tidak disetujui akan menyebabkan kerusakan pada komponen mesin, yang perbaikannya tidak akan ditanggung garansi.

Untuk melindungi sistem bahan bakar dari pembentukan endapan, dan korosi, campurkan stabilisator bahan bakar bebas alkohol dan perawatan etanol ke dalam bahan bakar. Baca bagian *Penyimpanan*. Semua bahan bakar berbeda-beda. Apabila terjadi masalah penstarteran atau performa, ganti dengan penyedia atau merek bahan bakar lain. Mesin ini disertifikasi untuk beroperasi dengan bensin. Sistem kontrol emisi untuk mesin berkarburator adalah EM (Modifikasi Mesin). Sistem kontrol emisi untuk mesin dengan injeksi bahan bakar elektronik adalah ECM (Modul Kontrol Mesin), MPI (Injeksi Multi-Port), dan jika dilengkapi O2S (Sensor Oksigen).

#### Lokasi yang Tinggi

Di lokasi dengan ketinggian lebih dari 5.000 kaki (1524 meter), bensin dengan minimum 85 oktan/85 AKI (89 RON) diperbolehkan.

Untuk mesin berkarburator, penyetelan diperlukan di lokasi yang tinggi guna mempertahankan performa. Pengoperasian tanpa penyetelan ini akan menyebabkan performa berkurang, konsumsi bahan bakar bertambah, dan emisi meningkat. Hubungi Penyalur Servis Resmi Briggs & Stratton untuk mengetahui informasi penyetelan di lokasi yang tinggi. Pengoperasian mesin di lokasi dengan ketinggian kurang dari 2.500 kaki (762 meter) dengan penyetelan lokasi tinggi tidak disarankan.

Mesin Injeksi Bahan Bakar Elektronik (EFI) tidak memerlukan penyetelan lokasi ketinggian.

## Tambahkan Bahan Bakar



### PERINGATAN

Bahan bakar dan uapnya sangat mudah terbakar dan meledak. Kebakaran atau ledakan dapat mengakibatkan luka bakar atau kematian.

**Ketika Anda menambahkan bahan bakar**

- Matikan mesin. Sebelum melepas tutup tangki, tunggu minimal dua (2) menit untuk memastikan bahwa mesin sudah dingin.
  - Isi tangki bahan bakar di luar ruangan atau di area yang memiliki aliran udara yang baik.
  - Jangan mengisi tangki bahan bakar terlalu penuh. Karena bahan bakar dapat memuai, jangan lakukan pengisian di atas bagian dasar leher tangki bahan bakar.
  - Jauhkan bahan bakar dari percikan api, nyala api, lampu penunjuk, panas, dan sumber pemicu api lainnya.
  - Periksa saluran bahan bakar, tangki bahan bakar, tutup tangki, dan sambungan secara rutin untuk mengetahui apakah terdapat retakan atau kebocoran. Ganti komponen yang rusak.
  - Apabila bahan bakar tumpah, tunggu hingga tumpahannya kering sebelum Anda menyalakan mesin.
1. Bersihkan bagian lubang pengisian oli dari kotoran dan serpihan. Lepas tutup bahan bakar.
  2. Isi tangki bahan bakar (A, Gambar 5) dengan bahan bakar. Karena bahan bakar akan menguap, jangan mengisi di atas dasar leher tangki bahan bakar (B).

3. Pasang kembali tutup bahan bakar.

## Menyalakan Mesin



### PERINGATAN

**BAHAYA GAS BERACUN.** Gas buang mesin mengandung karbon monoksida, yakni gas beracun yang dapat mematikan dalam hitungan menit. Meskipun Anda tidak mencium asap gas buang, Anda masih dapat terpapar gas karbon monoksida yang berbahaya. Apabila Anda merasa tidak enak badan, pusing, atau lemas saat menggunakan produk ini, **SEGERA** cari udara segar. Kunjungi dokter. Anda mungkin keracunan karbon monoksida.

- Gas karbon monoksida dapat menumpuk di ruang berpenghuni. Untuk mengurangi risiko terkumpulnya gas karbon monoksida, HANYA operasikan produk ini di luar ruangan dan jauh dari jendela, pintu, dan ventilasi.
- Pasanglah alarm karbon monoksida bertenaga baterai atau sambungkan alarm karbon monoksida dengan baterai cadangan ke stopkontak listrik sebagaimana ditetapkan oleh instruksi produsen. Alarm asap tidak dapat mengetahui gas karbon monoksida.
- JANGAN mengoperasikan produk ini di dalam rumah, garasi, ruang bawah tanah, kolong, gudang, atau ruang tertutup lainnya, meskipun jika Anda menggunakan kipas angin atau pintu dan jendela terbuka sebagai ventilasi. Setelah mengoperasikan produk ini, karbon monoksida dapat dengan cepat terkumpul di ruang tersebut dan menetap selama berjam-jam.
- SELALU letakkan produk ini sesuai dengan arah angin dan posisikan saluran gas buangan mesin menjauh dari ruangan berpenghuni.



### PERINGATAN

**Bahan bakar dan uapnya sangat mudah terbakar dan meledak. Kebakaran atau ledakan dapat mengakibatkan luka bakar atau kematian.**

#### Saat Anda menyalakan mesin

- Pastikan busi, knalpot, tutup tangki, dan pembersih udara (jika dilengkapi) terpasang dengan benar.
- Jangan menghidupkan mesin dengan busi dilepas.
- Apabila mesin terkena tumpahan, atur cuk (jika dilengkapi) ke posisi BUKA atau BEROPERASI. Pindahkan trotel (jika dilengkapi) ke posisi CEPAT dan putar hingga mesin menyala.
- Apabila terdapat kebocoran gas LP atau alam di area, jangan menyalakan mesin.
- Karena uapnya mudah terbakar, jangan menggunakan cairan starter bertenakan.



### PERINGATAN

**Komponen yang berputar dapat menjerat tangan, kaki, rambut, pakaian, atau aksesoris dan mengakibatkan laserasi atau amputasi traumatik.**

- Operasikan peralatan dengan pengaman yang terpasang dengan benar.
- Jauhkan tangan dan kaki dari komponen yang berputar.
- Lepas perhiasan dan pastikan rambut panjang jauh dari setiap komponen yang berputar.
- Jangan mengenakan pakaian longgar atau benda yang dapat terjerat.



### PERINGATAN

**Penarikan tali starter yang cepat (entakan balik) akan menarik tangan dan lengan menuju mesin lebih cepat daripada usaha Anda untuk melepaskannya. Hal ini dapat menyebabkan patah tulang, tulang retak, memar, atau terkilir.**

- Untuk menghindari entakan balik saat Anda menyalakan mesin, tarik tali starter perlahan-lahan sampai dirasakan tertahan dan kemudian tarik dengan cepat.
- Sebelum menyalakan mesin, putuskan sambungan atau lepaskan semua beban peralatan dan mesin eksternal.
- Pastikan bahwa komponen peralatan yang digabungkan langsung seperti, namun tidak terbatas pada, bilah, pendorong, puli, dan sproket terpasang dengan benar.

1. Periksa oli mesin. Lihat bagian **Cek Ketinggian Oli**.
2. Pastikan bahwa kontrol penggerak peralatan, jika dipasang, dalam kondisi nonaktif.
3. Putar katup penutup bahan bakar (A, Gambar 6), jika dipasang, ke posisi TERBUKA
4. Pindahkan kontrol trotel (B, Gambar 6), jika dipasang, ke posisi CEPAT.
5. **Untuk model dengan kontrol cuk** (C, Gambar 6), pindahkan kontrol cuk ke posisi TERTUTUP. **Untuk model dengan kombinasi kontrol cuk/kontrol trotel** (G, Gambar 6), pindahkan kontrol ke posisi CHOKE. **Untuk model dengan ReadyStart®**, lanjutkan langkah berikutnya.

**PERHATIKAN:** Cuk tersebut biasanya tidak diperlukan saat menyalakan kembali mesin yang masih panas.

6. **Untuk model dengan penstarteran elektrik**, putar sakelar kunci (D, Gambar 6), jika dipasang, ke posisi ON / START.

**PEMBERITAHUAN** Untuk model dengan penstarteran elektrik, starter elektrik akan menyala secara otomatis saat sakelar kunci berada di posisi ON / START.

7. **Untuk model dengan Penstarteran Tarik**, putar sakelar kunci (D, Gambar 6), jika dipasang, atau sakelar stop lainnya, ke posisi ON / START. Tarik tali starter (E, Gambar 6) perlahan sampai terasa ada tahanan, lalu tarik dengan cepat.
8. Setelah mesin panas, pindahkan kontrol cuk (C, Gambar 6), jika dipasang, ke posisi TERBUKA.

## Mematikan Mesin



### PERINGATAN

**Bahan bakar dan uapnya sangat mudah terbakar dan meledak. Kebakaran atau ledakan dapat mengakibatkan luka bakar atau kematian.**

- Jangan menggunakan cuk karburator (jika dilengkapi) untuk mematikan mesin.

1. Putar sakelar kunci (D, Gambar 6), jika dipasang, atau sakelar stop lainnya, ke posisi OFF.
2. Lepaskan kunci dan simpan di tempat yang aman.
3. Setelah mesin berhenti, putar katup penutup bahan bakar (A, Gambar 6), jika dipasang, ke posisi TERTUTUP.

## Pemeliharaan

### Informasi Pemeliharaan



### PERINGATAN

**Bahan bakar dan uapnya sangat mudah terbakar dan meledak. Kebakaran atau ledakan dapat mengakibatkan luka bakar atau kematian.**

Apabila unit perlu dimiringkan selama pemeliharaan, pastikan bahwa tangki bahan bakar, jika terpasang pada mesin, kosong dan bahwa busi menghadap ke atas. Apabila tangki bahan bakar tidak dikosongkan, dapat terjadi kebocoran dan dapat menimbulkan kebakaran atau ledakan. Apabila mesin dimiringkan ke arah yang berbeda, mesin akan sulit dinyalakan karena kontaminasi oli atau bahan bakar pada filter udara atau busi.



### PERINGATAN

**Percikan mesin yang tidak disengaja dapat menyebabkan sengatan listrik, kebakaran, atau ledakan dan dapat mengakibatkan belitan, amputasi traumatik, atau laserasi.**

#### Sebelum melakukan penyetulan atau perbaikan:

- Lepaskan kabel busi dan jauhkan dari busi.
- Lepaskan kabel baterai dari terminal negatif baterai (hanya pada mesin dengan penstarteran elektrik).
- Hanya gunakan alat bantu yang tepat.

#### Saat memeriksa percikan:

- Gunakan tester busi yang disetujui.
- Jangan periksa percikan listrik saat busi dilepas.



### PERINGATAN

Komponen pengganti harus sama dan dipasang pada posisi yang sama seperti komponen asli. Komponen lain dapat mengakibatkan kerusakan atau cedera.

### PEMBERITAHUAN

Agar mesin beroperasi dengan baik, semua komponen yang digunakan untuk membuat mesin ini harus tetap berada di tempatnya.

Kunjungi Penyalur Servis Resmi Briggs & Stratton untuk semua pemeliharaan serta servis mesin dan komponen mesin.

## Layanan Kontrol Emisi

**Untuk pemeliharaan, penggantian, atau perbaikan perangkat dan sistem kontrol emisi, hubungi perusahaan atau teknisi layanan perbaikan mesin medan berat yang memenuhi syarat.** Namun, untuk mendapatkan servis kontrol emisi "tanpa biaya", pekerjaan harus dilakukan oleh penyalur resmi pabrik. Baca Pernyataan Kontrol Emisi.

## Jadwal Pemeliharaan

5 Jam Pertama

<ul style="list-style-type: none"> <li>Mengganti oli mesin<sup>1</sup>.</li> </ul>
<b>Setiap 8 Jam atau Setiap Hari</b>
<ul style="list-style-type: none"> <li>Periksa ketinggian oli mesin.</li> <li>Bersihkan area di sekitar knalpot dan kontrol.</li> <li>Bersihkan kisi-kisi masuk udara.</li> </ul>
<b>Setiap 25 Jam atau Setiap Tahun</b>
<ul style="list-style-type: none"> <li>Bersihkan filter udara<sup>2</sup>.</li> <li>Bersihkan saringan awal udara<sup>2</sup>.</li> </ul>
<b>Setiap 50 Jam atau Setiap Tahun</b>
<ul style="list-style-type: none"> <li>Ganti oli mesin<sup>3</sup>.</li> <li>Ganti filter oli (jika dipasang)<sup>3</sup>.</li> <li>Servis sistem pembuangan.</li> </ul>
<b>Setiap 100 Jam atau Setiap Tahun</b>
<ul style="list-style-type: none"> <li>Ganti oli mesin<sup>4</sup>.</li> <li>Ganti filter oli (jika dipasang)<sup>4</sup>.</li> </ul>
<b>Setiap Tahun</b>
<ul style="list-style-type: none"> <li>Ganti busi.</li> <li>Ganti filter udara.</li> <li>Ganti saringan awal udara.</li> <li>Ganti filter bahan bakar.</li> <li>Servis sistem pendingin<sup>1</sup>.</li> <li>Periksa jarak katup<sup>5</sup>.</li> </ul>

<sup>1</sup> Hanya mesin tanpa filter oli.

<sup>2</sup> Bersihkan lebih sering dalam kondisi berdebu atau jika terdapat banyak partikel di udara.

<sup>3</sup> Mesin tanpa filter oli atau dengan filter oli hitam standar. Lihat bagian *Spesifikasi* untuk melihat nomor suku cadang.

<sup>4</sup> Mesin dengan filter oli kuning atau oranye yang sangat efisien. Lihat bagian *Spesifikasi* untuk melihat nomor suku cadang.

<sup>5</sup> Tidak diperlukan kecuali jika terjadi masalah kinerja mesin.

## Sistem Manajemen Bahan Bakar Elektronik

Sistem Pengelolaan Bahan Bakar Elektronik mengawasi suhu mesin, kecepatan mesin, dan tegangan baterai untuk menyesuaikan cuk selama starter dan memanaskan mesin. Tidak ada penyetelan pada sistem. Apabila terjadi masalah saat menyalakan atau mengoperasikan mesin, bicaralah dengan Penyalur Servis Resmi Briggs & Stratton.

**PEMBERITAHUAN** Pastikan Anda mengikuti aturan ini, atau Sistem Pengelolaan Bahan Bakar Elektronik dapat rusak.

- JANGAN menyalakan mesin jika kabel baterai longgar.
- Sebelum menyambungkan kabel jump start, atau melepas sambungan atau menyambungkan kembali kabel baterai, putar sakelar pengapian ke posisi OFF. Saat Anda mengisi daya baterai, putar sakelar pengapian ke posisi OFF.
- Saat Anda melepaskan sambungan kabel baterai dari baterai, lepas sambungan kabel negatif (-), lalu lepas sambungan kabel positif (+) dari baterai. Saat Anda menyambungkan kabel baterai ke baterai, sambungkan kabel positif (+) lalu kabel negatif (-) ke baterai.
- JANGAN menggunakan pengisi daya baterai untuk menyalakan mesin.
- JANGAN melepaskan sambungan kabel baterai selama mengoperasikan mesin.
- JANGAN menyempatkan air langsung ke Unit Kontrol Elektronik.

## Karburator dan Kecepatan Mesin

Jangan menyetel karburator atau kecepatan mesin. Karburator telah disesuaikan di pabrik untuk beroperasi sebagaimana mestinya dalam kebanyakan kondisi. Jangan mengganti pegas governor, mata rantai, atau komponen lain untuk menyetel kecepatan mesin. Apabila penyetelan perlu dilakukan, hubungi Penyalur Servis Resmi Briggs & Stratton untuk melakukan servis.

## PEMBERITAHUAN

Produsen peralatan menentukan kecepatan maksimum untuk mesin saat dipasang pada peralatan. Jangan melampaui kecepatan ini. Apabila Anda tidak yakin berapa kecepatan maksimum mesin, atau berapa kecepatan mesin yang disetel dari pabriknya, hubungi Penyalur Servis Resmi Briggs & Stratton untuk mendapatkan bantuan. Untuk pengoperasian peralatan secara aman dan tepat, kecepatan mesin hanya boleh disetel oleh teknisi servis yang berkualifikasi.

## Menyervis Busi

Periksa celah busi (A, Gambar 7) dengan kabel ukuran (B). Apabila diperlukan, atur celah busi. Pasang dan kencangkan busi ke torsi yang benar. Untuk memperoleh spesifikasi celah dan torsi, lihatlah bagian *Spesifikasi*.

## Menyervis Sistem Pembuangan dan Pendinginan



### PERINGATAN

**Selama pengoperasian, mesin dan knalpot menjadi panas. Apabila Anda menyentuh mesin yang panas, luka bakar panas dapat terjadi.**

**Bahan yang mudah terbakar, seperti daun, rumput, dan sikat, dapat tersulut api.**

- Sebelum Anda menyentuh mesin atau knalpot, matikan mesin dan tunggu dua (2) menit. Pastikan mesin dan knalpot aman disentuh.
- Bersihkan serpihan dari knalpot dan mesin.

Penggunaan atau pengoperasian mesin melanggar Pedoman Sumber Daya Publik California, Pasal 4442, jika dilakukan di lahan yang tertutup hutan, tertutup semak, atau tertutup rumput kecuali sistem pembuangannya dilengkapi pelindung percikan (spark arrester), sebagaimana disebutkan dalam pasal 4442, yang terawat dan dapat bekerja dengan baik. Yurisdiksi negara bagian atau federal lainnya mungkin memiliki undang-undang serupa; rujuk Peraturan Federal 36 CFR Bagian 261.52. Hubungi produsen peralatan asli, peritel, atau dealer untuk memperoleh spark arrester yang dirancang untuk sistem pembuangan yang dipasang pada mesin ini.

Ini adalah mesin berpendingin udara. Kotoran atau material yang tidak diinginkan dapat menghalangi aliran udara dan menyebabkan mesin menjadi terlalu panas. Hal ini mengakibatkan performa yang tidak memuaskan dan menurunkan masa pakai mesin. Sirip pendingin silinder dapat menampung material tidak diinginkan yang tidak dapat dibuang tanpa membongkar sebagian mesin. Pastikan Penyalur Servis Resmi Briggs & Stratton memeriksa dan membersihkan sistem pendingin udara. Lihat *Jadwal Pemeliharaan*.

- Pastikan tidak ada material yang mudah terbakar di sekitar dan di belakang knalpot.
- Gunakan sikat atau kain kering untuk membersihkan semua material yang tidak diinginkan dari area penutup rumah blower, knalpot, dan silinder. JANGAN gunakan air untuk membersihkan mesin.
- Pastikan sambungan, pegas, dan kontrol bersih.
- Periksa jika ada keretakan, korosi, atau kerusakan lainnya pada knalpot.
- Lepaskan deflektor atau penangkal percikan, jika dipasang, dan periksa jika ada kerusakan atau penyumbatan karbon. Pastikan Anda membersihkan atau memasang suku cadang pengganti sebelum mengoperasikan peralatan.

## Mengganti Oli Mesin



### PERINGATAN

**Bahan bakar dan uapnya sangat mudah terbakar dan meledak. Kebakaran atau ledakan dapat mengakibatkan luka bakar atau kematian.**

**Selama pengoperasian, mesin dan knalpot menjadi panas. Apabila Anda menyentuh mesin yang panas, luka bakar panas dapat terjadi.**

- Apabila Anda menguras oli dari tabung pengisian oli atas, tangki bahan bakar harus kosong. Apabila tidak dikosongkan, dapat terjadi kebocoran bahan bakar dan dapat menyebabkan kebakaran atau ledakan.
- Sebelum Anda menyentuh mesin atau knalpot, matikan mesin dan tunggu dua (2) menit. Pastikan mesin dan knalpot aman disentuh.

Oli bekas merupakan produk limbah berbahaya dan harus dibuang dengan benar. Jangan dibuang bersamaan dengan sampah rumah tangga. Hubungi otoritas setempat, pusat servis, atau penyalur untuk mengetahui fasilitas pembuangan atau daur ulang yang aman.

## Pindahkan Oli

- Dengan mesin dalam keadaan OFF tetapi masih panas, cabut kawat busi (D, Gambar 8) dan jauhkan dari busi (E).
- Lepaskan stik pengukur oli (A, Gambar 9).

## Penyumbat Oli, jika dipasang

- Lepaskan penyumbat oli (F, Gambar 10). Kuras oli ke wadah yang disetujui.

**PERHATIKAN:** Penyumbat oli (G, Gambar 10) dapat dipasang di mesin.



- Setelah oli dikuras, pasang dan kencangkan penyumbat oli (F, Gambar 10).

## Penguras Oli Cepat, jika dipasang

- Lepaskan selang penguras oli cepat (H, Gambar 11) dari sisi mesin.
- Putar dan lepaskan tutup penguras oli (I, Gambar 11). Turunkan penguras oli cepat secara perlahan (H) ke dalam wadah yang disetujui (J).
- Setelah oli dikuras, pasang tutup penguras oli cepat (I, Gambar 11). Pasang selang penguras oli cepat (H) ke sisi mesin.

## Mengganti Filter Oli

- Kuras oli dari mesin. Bacalah bagian **Mengeluarkan Oli**.
- Lepaskan filter oli (H, Gambar 12) dan buang dengan benar.
- Sebelum Anda memasang filter oli yang baru, beri sedikit pelumasan pada gasket filter oli dengan oli bersih.
- Pasang filter oli dengan tangan sampai gasket menyentuh adaptor filter oli, kemudian kencangkan filter oli dengan 1/2 hingga 3/4 putaran.
- Tambahkan oli. Bacalah bagian **Menambahkan Oli**.
- Nyalakan dan operasikan mesin. Saat mesin panas, periksa jika terdapat kebocoran oli.
- Matikan mesin. Pastikan ketinggian oli berada di bagian atas indikator penuh dari stik pengukur oli. Bacalah bagian **Menambahkan Oli**.

## Tambahkan Oli

- Pastikan mesin dalam posisi datar.
  - Bersihkan bagian lubang pengisian oli dari semua serpihan.
  - Lihat bagian **Spesifikasi** untuk mengetahui kapasitas oli.
- Lepaskan batang celup (A, Gambar 4). Bersihkan oli dari batang celup dengan kain bersih.
  - Tuangkan oli perlahan ke dalam lubang pengisian oli mesin (C, Gambar 4). **Jangan menuangkan terlalu banyak oli dalam lubang pengisian oli mesin.** Tunggu selama satu menit, kemudian cek ketinggian oli.

**PERHATIKAN:** Jangan tambahkan oli ke penguras oli cepat, jika dilengkapi.

- Pasang dan kencangkan batang celup (A, Gambar 4).
- Lepaskan batang celup dan periksa level oli. Ketinggian oli yang benar adalah di atas indikator penuh (B, Gambar 4) pada batang celup.
- Pasang dan kencangkan batang celup (A, Gambar 4).
- Sambungkan kabel busi ke busi. Lihat bagian **Mengeluarkan Oli**.

## Menyervis Filter Udara

### PERINGATAN

**Uap bahan bakar mudah terbakar dan meledak. Kebakaran atau ledakan dapat mengakibatkan luka bakar atau kematian.**

- Jangan menghidupkan dan mengoperasikan mesin dengan perangkat pembersih udara (jika dilengkapi) atau filter udara (jika dilengkapi).

### PEMBERITAHUAN

Jangan gunakan udara bertekanan atau senyawa pelarut untuk membersihkan filter. Udara bertekanan dapat mengakibatkan kerusakan pada filter dan pelarut akan melarutkan bahan filter.

Lihat **Jadwal Pemeliharaan** untuk mengetahui persyaratan servis.

Model yang berbeda akan menggunakan filter busa atau kertas. Beberapa model mungkin juga dilengkapi dengan saringan udara awal opsional yang dapat dibersihkan dan digunakan kembali. Bandingkan ilustrasi dalam panduan ini dengan tipe yang terpasang pada mesin Anda dan lakukan servis sebagai berikut.

## Filter Udara Kertas

- Tarik ke atas handel penutup (A, Gambar 13). Putar handel penutup ke arah mesin lalu lepas penutup (B).
- Lepaskan saringan awal udara (C, Gambar 13), jika dipasang, dan filter (D).
- Untuk menghilangkan material yang tidak diinginkan, ketuk-ketukkan perlahan filter (D, Gambar 13) pada permukaan yang keras. Apabila filter udara kotor, ganti dengan filter baru.
- Bersihkan saringan awal udara (C, Gambar 13) dalam detergen cair dan air. Biarkan saringan awal udara (C) benar-benar kering. **JANGAN** melumasi saringan awal udara.
- Pasang saringan awal udara yang kering (C, Gambar 13) dan filter (D) ke dasar mesin (E).
- Sejajarkan tab (F, Gambar 13) pada penutup (B) dengan slot (G) pada rumah lower.

- Putar handel penutup (A, Gambar 13) ke belakang dan tekan ke bawah untuk menguncinya.

## Filter Udara Kertas

- Longgarkan pengunci (A, Gambar 14).
- Lepaskan penutup (B, Gambar 14).
- Untuk melepaskan filter (C, Gambar 14), angkat ujung filter, lalu tarik filter keluar pipa masuk (D).
- Untuk menghilangkan material yang tidak diinginkan, ketuk-ketukkan perlahan filter (D, Gambar 14) pada permukaan yang keras. Apabila filter udara kotor, ganti dengan filter baru.
- Lepaskan saringan awal udara (E, Gambar 14), jika dipasang, dari filter (C).
- Bersihkan saringan awal udara (E, Gambar 14) dalam detergen cair dan air. Biarkan saringan awal udara benar-benar kering. **JANGAN** melumasi saringan awal udara.
- Pasang saringan awal udara yang kering (E, Gambar 14), jika dipasang, ke filter (C).
- Pasang filter (C, Gambar 14) ke pipa masuk (D). Dorong ujung filter ke bawah ke dalam dasar mesin. Pastikan bahwa filter dipasang dengan kencang pada dudukan mesin.
- Pasang penutup filter udara (B, Gambar 14) dan kencangkan dengan pengunci

## Menyervis Sistem Bahan Bakar



### PERINGATAN

**Bahan bakar dan uapnya sangat mudah terbakar dan meledak. Kebakaran atau ledakan dapat mengakibatkan luka bakar atau kematian.**

- Jauhkan bahan bakar dari percikan api, nyala api, lampu penunjuk, panas, dan sumber pemicu api lainnya.
- Periksa saluran bahan bakar, tangki bahan bakar, tutup tangki, dan sambungan secara rutin untuk mengetahui apakah terdapat retakan atau kebocoran. Ganti komponen yang rusak.
- Apabila bahan bakar tumpah, tunggu hingga tumpahannya kering sebelum Anda menyalakan mesin.

## Filter Bahan Bakar, jika dipasang

- Sebelum mengganti filter bahan bakar (A, Gambar 15), kuras tangki bahan bakar atau tutup katup penutup bahan bakar. Apabila tangki bahan bakar tidak dikosongkan, dapat terjadi kebocoran bahan bakar dan menyebabkan kebakaran atau ledakan.
- Jepit tab (B, Gambar 15) pada klem (C) menggunakan tang. Jauhkan klem dari filter bahan bakar (A).
- Puntir dan tarik saluran bahan bakar (D, 15) keluar dari filter bahan bakar.
- Periksa keretakan atau kebocoran pada saluran bahan bakar (D, Gambar 15). Apabila perlu, ganti saluran bahan bakar.
- Ganti saringan bahan bakar (A, Gambar 15).
- Pasang saluran bahan bakar (D, Gambar 15) dengan klem (C).

## Saringan Bahan Bakar, jika dipasang

- Lepaskan penutup bahan bakar (A, Gambar 16).
- Lepaskan saringan bahan bakar (B, Gambar 16).
- Jika saringan bahan bakar kotor, bersihkan atau ganti. Jika Anda mengganti saringan bahan bakar, pastikan menggunakan saringan bahan bakar cadangan asli.

## Ruang Penyimpanan Sistem Bahan Bakar

Lihat Gambar: 17.

### PERINGATAN

**Bahan bakar dan uapnya sangat mudah terbakar dan meledak. Kebakaran atau ledakan dapat mengakibatkan luka bakar atau kematian.**

### Penyimpanan Bahan Bakar

- Karena lampu utama atau sumber pengapian lain dapat menimbulkan ledakan, jauhkan bahan bakar atau peralatan dari tungku, kompor, alat pemanas air, atau perangkat lainnya yang dilengkapi lampu utama.

Simpan mesin di tempat yang datar (posisi pengoperasian normal). Isi tangki bahan bakar (A, Gambar 17) dengan bahan bakar. Untuk penguapan bahan bakar, jangan mengisi di atas leher tangki bahan bakar (B).

Bahan bakar mungkin menjadi basi jika disimpan dalam wadah penyimpanan selama lebih dari 30 hari. Dianjurkan untuk menggunakan stabilisator bahan bakar bebas

alkohol dan perawatan etanol dalam wadah penyimpanan bahan bakar demi mencegah degradasi bahan bakar dan menjaga kesehatan bahan bakar.

Saat Anda mengisi wadah bahan bakar dengan bahan bakar, tambahkan stabilisator bahan bakar bebas alkohol sebagaimana diarahkan dalam instruksi produsen. Apabila bensin dalam mesin belum dicampur stabilisator bahan bakar, maka bensin harus dikuras ke wadah yang disarankan. Operasikan mesin sampai bahan bakar habis.

## Oli Mesin

Saat mesin masih hangat, ganti oli mesin. Baca bagian **Mengganti Oli Mesin**.

## Pemecahan Masalah

### Bantuan

Untuk mendapatkan bantuan, hubungi penyalur lokal Anda atau kunjungi **BRIGGSandSTRATTON.COM** atau hubungi **1-800-444-7774** (di AS).

## Spesifikasi dan Suku Cadang Servis

Spesifikasi	Model: 210000	Model: 310000
Volume Langkah	21.01 ci (344 cc)	30.59 ci (501 cc)
Lubang Silinder	3.437 in (87,30 mm)	3.563 in (90,49 mm)
Putaran	2.264 in (57,51 mm)	3.062 in (77,77 mm)
Kapasitas oli - tanpa filter	42 - 44 oz (1,24 - 1,30 L)	42 - 44 oz (1,24 - 1,30 L)
Kapasitas oli - dengan filter	46 - 48 oz (1,36 - 1,40 L)	46 - 48 oz (1,36 - 1,40 L)
Celah Busi	.030 in (,76 mm)	.030 in (,76 mm)
Torsi Busi	180 pon-in (20 Nm)	180 pon-in (20 Nm)
Celah Udara Jangkar Dinamo	0.010 - 0.014 in (0,25 - 0,36 mm)	0.010 - 0.014 in (0,25 - 0,36 mm)
Kelonggaran Katup Isap	0.003 - .005 in (0,08 - 0,13 mm)	0.003 - .005 in (0,08 - 0,13 mm)
Kelonggaran Katup Buang	0.005 - 0.007 in (0,13 - 0,18 mm)	0.005 - 0.007 in (0,13 - 0,18 mm)

### Suku Cadang Servis

Untuk membeli suku cadang servis Briggs & Stratton, temukan Penyalur Servis Resmi di **BRIGGSandSTRATTON.COM**. Anda akan memerlukan nomor identifikasi Anda (model - tipe - trim). Lihat bagian **Fitur dan Kontrol** untuk menemukan nomor identifikasi mesin Anda.



## Peringkat Daya

Peringkat daya kotor untuk setiap model mesin bensin tercantum pada label sesuai dengan peraturan J1940 Prosedur Peringkat Torsi & Daya Mesin Kecil dari SAE (Perhimpunan Insinyur Otomotif), dan diberi peringkat menurut SAE J1995. Nilai torsi diperoleh dengan 2600 RPM untuk mesin dengan "rpm" pada label dan 3060 RPM untuk semua mesin lainnya; nilai tenaga kuda diperoleh dengan 3600 RPM. Kurva daya kotor dapat dilihat di [www.BRIGGSandSTRATTON.COM](http://www.BRIGGSandSTRATTON.COM). Nilai daya bersih diambil dengan kondisi gas buang dan pembersih udara yang terpasang, sedangkan nilai daya kotor diukur tanpa perangkat tambahan ini. Daya kotor mesin yang sebenarnya akan lebih tinggi daripada daya bersih mesin dan dipengaruhi oleh, antara lain, kondisi pengoperasian di sekitar dan perbedaan antarmesin. Mengingat produk yang dilengkapi mesin tersebut sangat beragam, mesin bensin tersebut mungkin tidak akan menghasilkan daya kotor terukur jika digunakan dalam peralatan pembangkit listrik tertentu. Perbedaan ini diakibatkan oleh berbagai faktor, termasuk, namun tidak terbatas pada, komponen mesin yang beragam (unit pembersih udara, pembuangan, pengisian daya, pendinginan, karburator, pompa bahan bakar, dll.), keterbatasan pengaplikasian, kondisi pengoperasian di sekitar (suhu, kelembapan, ketinggian), dan perbedaan antarmesin. Karena keterbatasan produksi dan kapasitas, Briggs & Stratton dapat mengganti mesin dengan daya nominal yang lebih tinggi untuk mesin ini.

## Garansi

### Garansi Mesin Briggs & Stratton®

Berlaku Agustus 2022

#### Garansi Terbatas

Briggs & Stratton menjamin bahwa selama masa garansi yang ditetapkan di bawah, pihaknya akan memperbaiki atau mengganti, secara gratis, dengan suku cadang yang direkonstruksi atau diproduksi ulang, atas pertimbangan Briggs & Stratton sendiri, untuk setiap komponen yang rusak terkait dengan bahan maupun pengerjaan atau keduanya. Biaya pengangkutan atas produk yang dikirim untuk diperbaiki atau diganti berdasarkan jaminan ini harus ditanggung oleh pembeli. Jaminan ini berlaku selama masa jaminan dan diatur berdasarkan ketentuan yang dinyatakan di bawah. Untuk layanan garansi, kunjungi Penyalur Servis Resmi terdekat pada peta pencari lokasi

penyalur kami di **BRIGGSandSTRATTON.COM**. Pembeli harus menghubungi Dealer Servis Resmi, dan kemudian mengirimkan produk ke Dealer Servis Resmi untuk diperiksa dan diuji.

**Tidak ada garansi tertulis lainnya. Garansi tersirat, termasuk kelayakan untuk jual beli dan kecocokan untuk tujuan tertentu, dibatasi hanya selama satu tahun sejak tanggal pembelian, atau sejauh diizinkan oleh hukum. Semua garansi tersirat lainnya dikecualikan. Kewajiban atas kerugian insidental atau konsekuensi dikecualikan sejauh yang diizinkan oleh hukum.** Beberapa negara bagian atau negara tidak mengizinkan pembatasan atas masa berlakunya jaminan tersirat, serta beberapa negara bagian dan negara tidak mengizinkan pengecualian atau pembatasan atas kerusakan insidental maupun konsekuensi, sehingga pembatasan dan pengecualian di atas mungkin tidak berlaku bagi Anda. Garansi ini memberi Anda hak hukum spesifik dan Anda juga mungkin memiliki hak lain yang berbeda-beda dari satu negara bagian dengan negara bagian lain serta dari satu negara dengan negara lainnya.

### Ketentuan Garansi Standar<sup>1, 2</sup>

#### Vanguard®; Commercial Series

Penggunaan Oleh Konsumen - 36 bulan

Penggunaan Komersial - 36 bulan

#### Seri XR

Penggunaan Oleh Konsumen - 24 bulan

Penggunaan Komersial - 24 bulan

#### Semua Mesin Lain yang Menggunakan Selongsong Besi Tuang Dura-Bore™

Penggunaan Oleh Konsumen - 24 bulan

Penggunaan Komersial - 12 bulan

#### Semua Mesin Lainnya

Penggunaan Oleh Konsumen - 24 bulan

Penggunaan Komersial - 3 bulan

<sup>1</sup> Nilai ketentuan garansi standar kami, tetapi terkadang mungkin terdapat cakupan garansi tambahan yang belum ditentukan pada saat penerbitan. Untuk melihat daftar syarat garansi saat ini bagi mesin Anda, kunjungi **BRIGGSandSTRATTON.COM** atau hubungi Penyalur Servis Resmi Briggs & Stratton Anda.

<sup>2</sup> Tidak ada garansi untuk mesin pada peralatan yang digunakan sebagai sumber listrik primer untuk menggantikan sumber listrik induk; generator siaga yang digunakan untuk keperluan komersial, kendaraan serbaguna yang melebihi 25 MPH, atau mesin yang digunakan dalam balapan kompetitif atau dengan tujuan komersial atau penyewaan.

\* Di Australia - Produk kami disertai garansi yang tidak dapat dikecualikan berdasarkan Undang-Undang Konsumen Australia. Anda berhak atas penggantian atau pengembalian uang atas kegagalan yang parah dan atas kompensasi untuk kerugian atau kerusakan lainnya yang dapat diperkirakan secara wajar. Anda juga berhak atas perbaikan atau penggantian produk jika produk tidak memenuhi kualitas yang dapat diterima dan kegagalannya tidak parah. Untuk layanan garansi, temukan Penyalur Servis Resmi terdekat di peta pencari lokasi penyalur kami di **BRIGGSandSTRATTON.COM**, atau dengan menghubungi 1300 274 447, atau dengan mengirimkan email atau menulis surat ke [salesenquiries@briggsandstratton.com.au](mailto:salesenquiries@briggsandstratton.com.au), Briggs & Stratton Australia Pty Ltd, 1 Moorebank Avenue, Moorebank, NSW, Australia, 2170.

Masa garansi dimulai sejak tanggal pembelian oleh pengguna akhir konsumen atau komersial ritel pertama dan berlangsung selama jangka waktu yang dinyatakan pada tabel di atas. "Penggunaan konsumen" berarti penggunaan di rumah tangga tempat tinggal pribadi oleh konsumen ritel. "Penggunaan komersial" berarti semua penggunaan lainnya, termasuk penggunaan untuk tujuan komersial, menghasilkan pendapatan, atau penyewaan. Setelah mesin diterapkan dalam penggunaan komersial, penggunaan selanjutnya akan dianggap sebagai penggunaan komersial untuk tujuan jaminan ini.

**Tidak perlu mendaftarkan garansi untuk mendapatkan garansi produk Briggs & Stratton. Simpan tanda bukti pembelian Anda. Apabila Anda tidak memberikan bukti tanggal pembelian awal pada saat meminta layanan garansi, tanggal pembuatan produk akan digunakan untuk menentukan masa garansi.**

#### Tentang Garansi Anda

Garansi terbatas ini mencakup hanya masalah bahan dan/atau pengerjaan terkait mesin, dan bukan penggantian atau pengembalian dana untuk peralatan tempat mesin mungkin dipasang. Perawatan rutin, penyeteman, penyesuaian, atau keausan normal tidak tercakup dalam garansi ini. Selain itu, garansi tidak berlaku jika mesin telah diubah atau dimodifikasi atau jika nomor seri mesin telah dikaburkan atau dihilangkan. Garansi ini tidak mencakup kerusakan mesin atau masalah performa yang disebabkan oleh:

1. Penggunaan suku cadang yang bukan suku cadang asli Briggs & Stratton
2. Pengoperasian mesin dengan oli pelumas yang tidak memadai, tercemar, atau memiliki grade tidak benar;

3. Penggunaan bahan bakar yang tercemar atau sudah basi, bensin yang diformulasi dengan etanol lebih dari 10%, atau penggunaan bahan bakar alternatif seperti elpiji atau gas alam pada mesin yang aslinya tidak dirancang/dibuat oleh Briggs & Stratton untuk bekerja dengan bahan bakar tersebut;
4. Kotoran yang memasuki mesin akibat pemeliharaan pembersih udara atau perakitan kembali yang tidak benar;
5. Menghantam benda dengan pisau pemotong mesin pemotong rumput rotari, adaptor pisau, baling-baling, atau perangkat lain yang tersambung ke poros engkol yang kendur atau terpasang tidak benar, atau kekencangan v-belt yang berlebihan;
6. Komponen atau rakitan yang terkait seperti kopling, transmisi, Briggs & Stratton
7. Panas berlebihan akibat adanya cacahan rumput, tanah atau kotoran, atau sarang binatang pengerat yang menyumbat atau menyumpal sirip-sirip pendingin, atau area roda gila atau akibat mengoperasikan mesin tanpa ventilasi yang memadai;
8. Getaran berlebihan akibat kecepatan berlebih,udukan mesin yang kendur, pisau atau baling-baling pemotong yang kendur atau tidak seimbang, atau penyambungan yang tidak benar atas komponen peralatan ke poros engkol;
9. Penyalahgunaan, kurangnya perawatan rutin, pengiriman, penanganan, atau penggudangan peralatan, atau instalasi mesin yang tidak benar.

Servis garansi tersedia hanya melalui Penyalur Servis Resmi Briggs & Stratton. Temukan Penyalur Servis Resmi terdekat di peta pencari lokasi penyalur kami di [BRIGGSandSTRATTON.COM](http://BRIGGSandSTRATTON.COM) atau dengan menghubungi 1-800-444-7774 (di AS).

80114782 (Revisi A)

Not for  
Reproduction

## 一般情報

本マニュアルには、このエンジンに関わる危険とリスクと、それらを防止できるようにするための安全情報が記載されています。また、このエンジンの正しい運転とメンテナンスが含まれています。この取扱説明書を読んで理解し、その内容に従うことが重要です。今後の参照のため、本取扱説明書を保管しておいてください。

注 本マニュアルに記載されている図およびイラストは情報提供のためであり、モデルごとに異なる場合があります。ご使用のエンジンに合わせて図を使用してください。必要に応じて、正規の修理店にお問い合わせください。

交換部品用に、購入日、エンジンのモデル、タイプ、トリム、エンジンのシリアル番号を記録しておいてください。これらの番号はエンジンに記載されています。機能及びコントロールセクションをご覧ください。

購入日	
エンジン モデル - タイプ - トリム	
エンジン シリアル番号	

## ヨーロッパ事務所連絡先情報

ヨーロッパの排出量に関するご質問は、以下の弊社ヨーロッパ事務所までご連絡下さい：


id="European\_Contact\_Info"Max-Born-Straße 2, 68519 Viernheim, Germany

## 欧州連合 (EU) ステージV (5) : 二酸化炭素 (CO2) 値

BriggsandStratton.comの検索ウィンドウにCO2と入力すると、Briggs & Stratton EUタイプ認定証明書エンジンの二酸化炭素値をご確認いただけます。

## 運転者の安全

### 安全警告記号およびシグナルワード

安全警告シンボル  は、人身傷害につながる危険についての安全情報を特定します。シグナルワード (危険、警告、注意) は、傷害の可能性および重篤性の可能性を示します。また、危険シンボルは危険のタイプを表すために使用されます。









危険とは、それが避けられなかった場合、死亡または重大な傷害をもたらす危険を指します。

警告とは、それが避けられなかった場合、死亡または重大な傷害につながる恐れのある危険を指します。

注意とは、その危険が避けられなかった場合、軽度または中程度の傷害につながる恐れがあることを示します。

通知は、危険に関するものではないものの、重要な情報を意味します。

### 危険示す記号およびその説明

	人身傷害の起因となる危険についての安全情報。		作業機の操作あるいはサービス前に必ずこの取扱説明書を読み、理解して下さい。
	火災の危険		爆発の危険性
	感電の危険性		有毒煙の危険性
	高温注意の危険		反動の危険性
	切断の危険性 - 可動部品		燃料レベル - 上限 過剰充填しないでください



## 安全のために



警告

Briggs & Stratton®エンジンは、以下の動力として設計されたものではなく、またこれらの用途に使うことはできません：ファンカート、ゴーカート、子供のリクリエーション用またはスポーツ用の全地形対応車 (All Terrain Vehicle, ATV)、モーターバイク、ホバークラフト、航空機用製品、もしくは、Briggs & Strattonが認可していない競技イベントで使用される車両。競走用車両向け製品に関する情報は、www.briggsracing.comをご参照下さい。ユーティリティでの使用やサイドバイサイドATV車での使用については、Briggs & Stratton/パワーアプリケーションセンター (1-866-927-3349) までご連絡下さい。誤ったエンジンの使用は、重傷または死亡を引き起こす可能性があります。

## リサイクル情報

		ボール紙、箱、使用済みオイルおよび電池はすべて、政府の規制に従ってリサイクルして下さい。
---	--	--









## 機能及びコントロール

### エンジン・コントロール装置

図 1、2 および 3 の吹き出し文字を、下記リストにあるエンジンコントロールと比較して下さい。

- A. エンジンID番号 モデル - タイプ - コード
- B. スパークプラグ
- C. エアクリーナー
- D. スターターコードハンドル ( 装備されている場合 )
- E. オイルレベルゲージ
- F. オイル・ドレン・プラグ
- G. マフラー、マフラーガード ( 装備されている場合 )、スパークアレスター ( 装備されている場合 )
- H. ブローハウジングカバー
- I. オイルフィルター ( 装備されている場合 )
- J. 電気スターター ( 装備されている場合 )
- K. キャブレター
- L. 燃料フィルター ( 取り付けられている場合 )
- M. 燃料ポンプ ( 取り付けられている場合 )
- N. クイックオイルドレイン ( 装備されている場合 )
- O. 電子制御装置 ( 装備されている場合 )

## エンジン制御システムのシンボルおよびその意味

	エンジン速度 - 高速		エンジン速度 - 低速
	エンジン速度 - 停止		オン - オフ
	エンジン始動 チョークを閉じる		エンジン始動 チョークを開く
	燃料キャップ 燃料遮断バルブを開く		燃料遮断バルブを閉じる

## 使用



**警告**  
燃料ガスは可燃性が高く、爆発しやすい性質があります。火災や爆発は、火傷あるいは死亡を引き起こす可能性があります。

### ガス臭い場合

- エンジンを開始してはいけません。
- 電源スイッチをオンにしないで下さい。
- 近くで電話を使用しないで下さい。
- そのエリアから避難して下さい。
- 消防署に連絡して下さい。

### 装置の運転時

- 燃料がこぼれる角度まで、エンジンおよび装置を傾けないで下さい。

### 装置の位置を移動する時

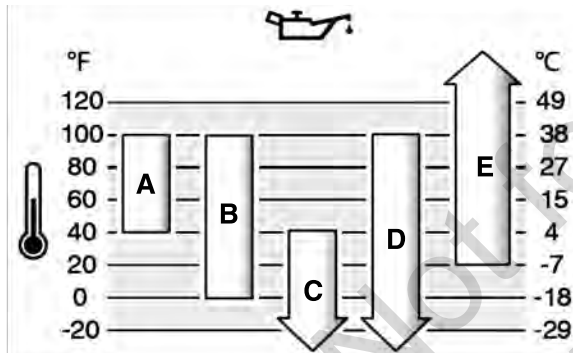
- 燃料タンクが空であること、または燃料遮断バルブ（装備されている場合）が「閉じる」の位置にあることを確認して下さい。

## 推奨オイル

オイル容量：仕様セクションをご覧ください。

最適な性能を得るために、Briggs & Stratton® 純正オイルのご使用が推奨されます。グレードSF、SG、SH、SJ以上に分類される、その他の高性能清浄オイルもご使用になれます。特殊な添加剤は使用しないでください。

下記のチャートを参照して、予想される外気温の範囲に最も適した粘度を選択してください。屋外動力機器に使われるエンジンは通常、5W-30グレードの合成潤滑油で正常に動作します。装置を高温の条件下で使用する場合は、Vanguard® 15W-50グレードの化学合成オイルを使用すれば、装置を最良の状態に保護できます。



A	SAE 30 -- 40°F (4°C) 以下でSAE 30を使用すると、エンジンの始動不良が生じることがあります。
B	10W-30 - 80°F (27°C) 以上で10W-30を使用すると、オイル消費量が増加することがあります。オイルレベルは頻繁に確認して下さい。
C	5W-30
D	化学合成オイル 5W-30
E	Vanguard® 化学合成オイル 15W-50

## エンジンオイル量の点検

### オイルの確認または追加前

- エンジンが水平であることを確認します。
- オイル注入部の汚れを取り除いて下さい。
- オイル容量については、仕様セクションをご覧ください。

### 通知

本エンジンはオイルが入っていない状態でBriggs & Strattonより出荷されています。装置製造者あるいは販売店によってエンジンにオイルが追加されている場合があります。初めてエンジンを始動する前には、オイルレベルが正しいことを必ず確認して下さい。本マニュアルの指示に規定されているとおりに、オイルを追加して下さい。オイルが入っていない状態でエンジンを始動した場合は、損傷が発生します。この場合のエンジンの修理は保証の対象外です。

- 検油棒 (A、図4) を抜き出して清潔な布で拭いて下さい。
- 検油棒 (A、図4) を取り付け、締め付けて下さい。
- 再びオイルゲージを取り外し、オイルの量を確認します。オイルレベルが検油棒のインジケーター (B、図4) の一番上にあることを確認して下さい。
- オイルレベルが少ない場合は、エンジンオイル充填口 (C、図4) からゆっくりとオイルを追加して下さい。オイルを追加しすぎないで下さい。

- 一分間待ってから、オイルレベルを再点検して下さい。オイルレベルが正しいことを確認して下さい。
- 検油棒 (A、図4) を取り付け、締め付けて下さい。

## 低オイル保護システム (取り付けられている場合)

一部のエンジンには低オイルセンサーが取り付けられています。オイルが低レベルの場合には、センサーが警告灯を表示するか、もしくはエンジンを停止します。エンジンを始動する前にエンジンを停止し、次の手順に従って下さい。

- エンジンが水平であることを確認します。
- オイルを確認して下さい。オイルレベルの確認セクションをご覧ください。
- オイルレベルが低い場合は、適切な量のオイルを追加して下さい。エンジンを始動し、警告灯 (取り付けられている場合) が点灯しないことを確認します。
- オイルレベルが低い場合は、エンジンを始動させないで下さい。オイルの問題を解決するには、Briggs & Strattonの正規修理店までご連絡ください。

## 推奨燃料

燃料は次の条件を満たさなければなりません。

- 汚染されていない、新しい無鉛ガソリン。
- 87 オクタン/87 AKI (91 RON) 以上。高高度での使用については、以下をご覧ください。
- エタノール含有率が10%までのガソリン (ガソノール) が許容されます。

### 通知

E15やE85などの承認されていないガソリンを使用しないで下さい。ガソリンにオイルを混入したり、代替燃料で運転するためにエンジンを交換したりしないで下さい。承認されていない燃料を使用するとエンジンの部品を損傷させる原因になります。こうした損傷は保証の対象外です。

燃料システムにガム質が形成されたり、腐食が発生したりするのを防ぐため、燃料にアルコールを含まない燃料安定剤とエタノール添加剤を混ぜて下さい。保管セクションをご覧ください。すべての燃料は同じではありません。始動または性能の問題が生じた場合、燃料供給業者またはブランドを変更して下さい。このエンジンは、ガソリンで動作することが保証されています。気化器付きエンジンの排出制御システムは、EM (エンジンモディファイケーション) です。電子式燃料噴射装置付きエンジンの排出制御システムは、ECM (エンジンコントロールモジュール)、MPI (マルチポートインジェクション)、そして装備されている場合には O2S (酸素センサー) です。

### 高度

5,000フィート (1,524メートル) を超える高度では、最低85オクタン / 85 AKI (89 RON) のガソリンが許容されます。

キャブレター仕様エンジンの場合は、性能を維持するために高高度調整が必要になります。この調整なしに運転すると、パフォーマンスが低下し、燃料の消費が増え、排気ガスの排出量が増えます。高高度調整に関する情報は、Briggs & Strattonの正規の修理店までお問い合わせください。762 m (2,500 フィート) 以下の高度では、高地用キットを使用したエンジンの運転はしないでください。

電子式燃料噴射 (EFI) エンジンの場合、高度調整は必要ありません。

## 燃料の給油方法



**警告**  
燃料及び発生ガスは可燃性が高く、爆発しやすい性質があります。火災や爆発は、火傷あるいは死亡を引き起こす可能性があります。

### 燃料の追加時

- エンジンを停止します。燃料キャップを取り外す前に、少なくとも2分間待って、エンジンが冷えたことを確認して下さい。
- 屋外または空気の流れが良い場所で、燃料タンクに給油して下さい。
- タンクには燃料を入れ過ぎないようにして下さい。燃料は膨張することがあるため、燃料タンクのキャップの底部よりも上に給油しないで下さい。
- 燃料は、スパーク、直火、パイロット・ランプ、熱、その他の引火の原因となるものから遠ざけてください。
- 燃料パイプ、燃料タンク、燃料キャップ、そして接続部にひび割れや漏れがないか頻繁に確認して下さい。損傷のある部品は交換して下さい。
- 燃料がこぼれた場合は、蒸発するまでエンジンの始動を待って下さい。

- 燃料キャップ付近の埃やごみを清掃します。燃料キャップを取り外します。
- 燃料タンク (A、図5) に燃料を給油します。燃料は膨張しますので、燃料タンクの首部 (B) の底部の上まで給油しないで下さい。
- 燃料キャップを取り付けて下さい。

## エンジンの始動方法



### 警告

毒性ガスの危険 エンジンからの排気ガスには有毒な一酸化炭素が含まれ、吸うと数分で死に至る危険があります。排気ガスの臭気を感じなくても、危険な一酸化炭素ガスに晒されている可能性があります。本製品の使用中に気分が悪くなったり、目眩がしたり、力が入らなくなったりしたら、直ちに新鮮な空気にあたって下さい。医療機関を受診してください。一酸化炭素中毒のおそれがあります。

- 一酸化炭素ガスは、占有空間に蓄積する可能性があります。一酸化炭素ガスの危険性を減らすために、本製品は窓、戸口、換気口からは遠ざけて屋外でのみ使用して下さい。
- 電池式の一酸化炭素警報器、またはバッテリーバックアップを備えたプラグイン式一酸化炭素警報器をメーカーの説明書の規定に従って取り付けして下さい。火災報知機では一酸化炭素ガスを検知できません。
- たとえ換気のためにファンを使用している場合や扉や窓を開けている場合でも、本製品を屋内、車庫、地下室、床下、倉庫などの密閉空間で使用しないで下さい。本製品の使用後は、一酸化炭素がこれらの空間にすぐに蓄積して、そのまま数時間蓄積したままになる可能性があります。
- 本製品は必ず風下に設置し、エンジンの排気口は占有空間に向けないで下さい。



### 警告

燃料及び発生ガスは可燃性が高く、爆発しやすい性質があります。火災や爆発は、火傷あるいは死亡を引き起こす可能性があります。

### エンジン始動時

- スパークプラグ、マフラー、燃料キャップおよびエアクリナー（装備されている場合）が適切に取り付けられていることを確認して下さい。
- スパークプラグを外した状態で、エンジンのクランクを回さないで下さい。
- エンジンが被水・冠水した場合は、チョーク（装備されている場合）を開くまたは運転の位置にして下さい。スロットル（装備されている場合）を「高速」の位置にして、エンジンが始動するまでクランクを回して下さい。
- 周辺で天然ガスやLPガスが漏れている場合、エンジンを始動させないで下さい。
- 蒸気は可燃性のため、加圧された始動液は使用しないで下さい。



### 警告

回転部品に手、足、髪の毛、衣類、またはアクセサリーが絡まり、外傷性切断または裂傷を引き起こす可能性があります。

- 保護具を正しく取り付けられた状態で装置を使用して下さい。
- 手足は回転部品から離れるようにして下さい。
- 宝石類は取り外し、髪の毛が長い場合は回転部品に髪の毛が巻き込まれないように注意して下さい。
- 巻き込まれる可能性があるゆったりした服やアイテムを身に着けないで下さい。



### 警告

スターターコードの急激な収縮（反動）が起きると手や腕がエンジンに思いがけない速さで引き込まれ、骨折、打撲、捻挫の恐れがあります。

- エンジン始動時の反動を防止するために、抵抗を感じるまでスターターコードをゆっくり引き、次に素早く引いて下さい。
- エンジンの始動前に、他の外部装置やエンジン負荷を全て取り除いて下さい。
- ブレード、インペラ、ブーリー、スプロケット等の直結の装置部品がしっかりと固定されていることを確認して下さい。

- エンジンオイルを確認します。オイルレベルの確認セクションをご覧ください。
- 機器駆動制御装置が取り付けられている場合は、それが停止していることを確認します。
- 燃料遮断バルブ(A、図6)が装備されている場合は、OPENの位置へ回します。
- スロットル制御装置(B、図6)が取り付けられている場合は、それを「高速」の位置にします。
- チョークコントロール(C、図6)付きモデルでは、チョークコントロールをCLOSEDの位置に移動して下さい。コンビネーションチョーク/スロットルコントロール(G、図6)付きモデルでは、コントロールをCHOKEの位置に移動して下さい。ReadyStart®付きモデルでは、次のステップに進んで下さい。

注 暖まっているエンジンを始動する際は、通常チョークは必要ありません。

- 電動起動が装備されているモデルでは、キースイッチ(D、図6)をON/STARTの位置へ回して下さい。

通知 電動起動付きモデルでは、キースイッチがON/STARTの位置にある場合に、電動スターターが自動的に始動します。

- リコイルスターターによる始動付きモデルでは、装備されている場合はキースイッチ(D、図6)を、または他の停止スイッチをONの位置へ回して下さい。スターターコード(E、図6)をゆっくり引き、抵抗を感じたら素早く引きます。
- エンジンが暖まってきたら、装備されている場合はチョークコントロール(C、図6)をOPENの位置に移動して下さい。

## エンジンの停止



### 警告

燃料及び発生ガスは可燃性が高く、爆発しやすい性質があります。火災や爆発は、火傷あるいは死亡を引き起こす可能性があります。

- キャブレター（装備されている場合）のチョークによるエンジンの停止は行わないで下さい。

- 装備されている場合はキースイッチ(D、図6)を、または他の停止スイッチをOFFの位置へ回します。
- キーを取り外し、安全な場所に保管して下さい。
- エンジン停止後、燃料遮断スイッチ(A、図6)を「閉まる」位置に動かします。

## 保守

### 保守に関する情報



### 警告

燃料及び発生ガスは可燃性が高く、爆発しやすい性質があります。火災や爆発は、火傷あるいは死亡を引き起こす可能性があります。

保守中に装置を傾ける必要がある場合は、燃料タンク（エンジンに搭載されている場合）が空であり、スパークプラグ側が上になっていることを確認して下さい。燃料タンクが空でない場合は、漏れが発生する可能性があります。火災や爆発を引き起こす危険があります。エンジンを別の方向に傾けると、エアフィルターまたはスパークプラグのオイルまたは燃料の汚染により、始動に時間がかかります。



### 警告

予想外のエンジンスパークは、感電、火災、または爆発を引き起こす可能性があり、絡み合い、外傷性切断、または裂傷を引き起こす可能性があります。

### 調整や修理を行う前：

- すべてのスパークプラグの配線を外して、スパークプラグから離しておいてください。
- 電池ケーブルをマイナス端子側で外してください（電動スタートのエンジンのみ）。
- 適切な工具のみを使用して下さい。

### スパークの点検時：

- 認定されたスパークプラグテスターを使用してください。
- スパークプラグを取り外した状態で、スパークの点検をしないで下さい。



### 警告

交換部品は、純正部品を適切に組みつけてください。他の部品も、損傷したり怪我につながる可能性があります。

### 通知

このエンジンを構成するすべての部品は、正しい運転のために所定の位置にセットしたままにしてください。

エンジンとエンジン部品の保守とサービスについては、Briggs & Strattonの正規の修理店にお問い合わせください。

## 排出制御サービス

排出制御装置とシステムの保守、交換または修理が必要な場合は、認定のオフロードエンジン修理センターまたはサービス技術者までお問合わせ下さい。ただし、排出制御サービスを「無料」で受ける場合は、工場認定ディーラーが作業を実施する必要があります。排出規制ステートメントをご覧ください。

## メンテナンススケジュール

最初の5時間
<ul style="list-style-type: none"><li>エンジンオイルの交換<sup>1</sup>。</li></ul>
8時間ごと、または毎日

<ul style="list-style-type: none"> <li>エンジンオイルレベルの点検。</li> <li>マフラーとコントロールの付近を清掃して下さい。</li> <li>吸気グリルの清掃。</li> </ul>
<b>25時間ごと、または年1回</b>
<ul style="list-style-type: none"> <li>エアフィルターの清掃<sup>2</sup>。</li> <li>プレクリーナーの清掃<sup>2</sup>。</li> </ul>
<b>50時間ごと、または年1回</b>
<ul style="list-style-type: none"> <li>エンジンオイルの交換<sup>3</sup>。</li> <li>オイルフィルターの交換 (取り付けられている場合)<sup>3</sup>。</li> <li>排気システムを整備して下さい。</li> </ul>
<b>100時間ごと、または年1回</b>
<ul style="list-style-type: none"> <li>エンジンオイルの交換<sup>4</sup>。</li> <li>オイルフィルターの交換 (取り付けられている場合)<sup>4</sup>。</li> </ul>
<b>年に一回</b>
<ul style="list-style-type: none"> <li>スパークプラグの交換。</li> <li>エアフィルターの交換。</li> <li>プレクリーナーの交換。</li> <li>燃料フィルターの交換。</li> <li>空気冷却システムの整備<sup>1</sup>。</li> <li>バルブクリアランスの確認<sup>5</sup>。</li> </ul>

<sup>1</sup> オイルフィルター未装着エンジンのみ。

<sup>2</sup> 埃っぽい場所の場合、または空気中に多くの粒子が浮遊している場合は、より頻繁に清掃してください。

<sup>3</sup> オイルフィルター未装着のエンジン、または標準の黒のオイルフィルターが付いているエンジン。部品番号は、仕様セクションをご覧ください。

<sup>4</sup> 高性能の黄色あるいはオレンジ色オイルフィルターが付いているエンジン。部品番号は、仕様セクションをご覧ください。

<sup>5</sup> エンジンの性能に問題がない場合は不要です。

## 電子燃料管理システム

電子燃料管理システムは、エンジン温度、エンジンスピード、バッテリーの電圧を監視し、エンジンの始動および暖機運転中のチョークを調節します。システムには調整器具は付いていません。始動または動作に問題がある場合は、Briggs & Strattonの正規の修理店までお問合せ下さい。

通知 次の手順に必ず従ってください。従わない場合、電子燃料管理システムが損傷する可能性があります。

- 電池ケーブルが緩んでいる場合は、エンジンを始動させないで下さい。
- ジャンプスタートケーブルを取り付ける前、またはバッテリーケーブルを取り外したり取り付けたりする前に、イグニションスイッチをOFFの位置へ回して下さい。バッテリーを充電するには、イグニションスイッチをOFFの位置へ回します。
- バッテリーケーブルをバッテリーから取り外すには、初めにマイナス(-)ケーブル、それから、プラス(+)ケーブルをバッテリーから取り外して下さい。バッテリーケーブルをバッテリーに取り付けるには、初めにプラス(+)ケーブル、それから、マイナス(-)ケーブルを電池に取り付けて下さい。
- 電器を使ってエンジンを始動させないで下さい。
- エンジンの使用中は、電池ケーブルを取り外さないで下さい。
- 電子制御装置に直接水をかけないでください。

## キャブレターとエンジン速度

キャブレターやエンジン速度を調整しないで下さい。キャブレターは大半の条件下で順調に運転できるように、工場で設定されています。ガバナースプリング、リンケージ、その他の部品を変更してエンジン速度を調整しないで下さい。調整が必要な場合は、Briggs & Strattonの正規修理店に連絡いただきサービスをお申し付け下さい。

### 通知

装置製造者は、装置に取り付けられているエンジンの最高速度を指定しています。この速度を超過しないで下さい。装置の最高速度や工場で設定されたエンジン速度が不明な場合、Briggs & Strattonの認定サービスディーラーにお問合せ下さい。装置の安全で正しい運転のために、エンジン速度の調整は資格のあるサービス技術者のみが行う必要があります。

## スパークプラグの整備

ワイヤーゲージを使ってスパークプラグのギャップ (A、図7)を確認して下さい。必要に応じて、スパークプラグのギャップを設定して下さい。スパークプラグを取り付けて、適切なトルクまで締めして下さい。ギャップおよびトルクの仕様については、仕様セクションをご覧ください。

## 排気および冷却システムの整備



**警告**  
運転時に、エンジンとマフラーは熱くなります。熱いエンジンに触れると、熱傷 (やけど) の可能性があります。

落ち葉、草、枝など、可燃ゴミに着火する恐れがあります。

- エンジンまたはマフラーに触れる前に、エンジンを停止し、2分間待ってください。エンジンとマフラーに触れても安全な状態であることを確認して下さい。
- マフラーとエンジンからゴミを取り除いて下さい。

カリフォルニア州公共資源規範セクション4442では、排気システムにスパーク・アレスターを搭載し、セクション4442に定める通りに有効な作業順序で整備されていない限り、森林、低木、または草で覆われた土地でエンジンを使用または運転することは違反となります。他の州または連邦法域も類似の法律を導入している場合があります。連邦規制36 CFR パート 261.52を参照のこと。本エンジンに搭載の排気システム向けに設計されたスパーク・アレスターの入手については、OEM業者、小売店、またはディーラーにお問い合わせください。

本エンジンは空気冷却式です。汚れや不要物があると、空気の流れが阻止されることがあり、エンジンが過熱する原因となることがあります。これが満足できない性能や、エンジン寿命を縮めることにつながります。シリンダー冷却フィン、エンジンを部分的に分解しなければ除去できない不要物を集めることがあります。Briggs & Strattonの正規の修理店が、空気冷却システムの点検と掃除をするようにしてください。保守スケジュールを参照してください。

- 可燃性の物質がマフラーの周辺や裏にないようにしてください。
- ブラシまたは乾燥した布を使用して、ブローハウジングカバー、マフラーおよびシリンダーのエリアからすべての不要物を除去してください。エンジンを水で洗わないでください。
- 連結部、ばね、および制御装置が清潔であることを確認してください。
- マフラーにひび、腐食、その他の損傷がないか確認して下さい。
- 装備されている場合には、ディフレクターあるいはスパークアレスターを取り外して、破損および炭素片がないか調べてください。機器を運転する前に、交換部品を清掃するか、または取り付けるようにしてください。

## エンジンオイルの交換



**警告**  
燃料及び発生ガスは可燃性が高く、爆発しやすい性質があります。火災や爆発は、火傷あるいは死亡を引き起こす可能性があります。

運転時に、エンジンとマフラーは熱くなります。熱いエンジンに触れると、熱傷 (やけど) の可能性があります。

- オイル注入チューブの上部からオイルを排出する場合は、燃料タンクが空でなければなりません。空でない場合、燃料漏れが起き、火災や爆発を起こす危険があります。
- エンジンまたはマフラーに触れる前に、エンジンを停止し、2分間待ってください。エンジンとマフラーに触れても安全な状態であることを確認して下さい。

使用済みオイルは危険廃棄物であるため、適切に廃棄する必要があります。家庭ゴミと一緒に廃棄しないで下さい。安全な廃棄方法とリサイクル施設については、地方自治体、サービスセンター、または代理店にお問合せください。

## オイルの抜き取り

- エンジンが「オフ」の状態でもまだ暖かい時は、スパークプラグのワイヤ (D、図8)を外してスパークプラグ (E) から離れた場所に置いて下さい。
- 検油棒 (A、図9)を取り除いて下さい。

## オイルドレーンプラグ、取り付けられている場合

- オイル排出栓 (F、図10)を取り外して下さい。オイルは認可された容器に排出して下さい。

注 オイルドレーンプラグ (F、図10)は、エンジンに取り付けることができます。

- オイルを抜き取った後は、オイルドレーン栓 (F、図10)を取り付けてしっかりと締めます。

## クイックオイルドレーンが取り付けられている場合

- クイックオイルドレーンホース (H、図11)をエンジン側から取り外します。
- オイルドレーン栓 (I、図11)を回して外して下さい。クイックオイルドレーン (H)を、認定された容器 (J)内に丁寧に降ろします。

3. オイルを抜き取った後は、クイックドレーンキャップ(I、図 11)を取り付けます。クイックオイルドレーンホース(H)をエンジン側に取り付けます。

## オイルフィルターの交換

1. エンジンからオイルを抜き取ります。オイルの抜き取りセクションをご覧ください。
2. オイルフィルター(H、図 12)を取り外して、適切に廃棄して下さい。
3. 新しいオイルフィルターを取り付ける前に、オイルフィルターガスケットにクリーンオイルを軽く差して下さい。
4. ガスケットがオイルフィルターアダプターに接するまで、手でオイルフィルターを取り付け、1/2から3/4回転締め付けて下さい。
5. オイルを補充します。オイルの追加セクションをご覧ください。
6. エンジンの始動と運転を行って下さい。エンジンが暖かいうちにオイル漏れがないことを確認して下さい。
7. エンジンを停止します。オイルレベルが、検油棒のインジケーターの一番上の位置にあることを確認して下さい。オイルの追加セクションをご覧ください。

## オイルの追加

- ・ エンジンが水平であることを確認します。
  - ・ オイル注入部の汚れを完全に除去して下さい。
  - ・ オイル容量については、仕様セクションをご覧ください。
1. 検油棒(A、図 4)を取り除いて下さい。検油棒からオイルを取り除いて、きれいな布で拭いて下さい。
  2. エンジンオイル注入部(C、図 4)にオイルをゆっくりと追加して下さい。エンジンのオイル充填穴にオイルを入れ過ぎないでください。1分間待ってから、オイルレベルを再び確認して下さい。

注 クイックオイルドレーンからオイルを追加しないでください(装備されている場合)。

3. 検油棒(A、図 4)を取り付け、締め付けて下さい。
4. 再びオイルゲージを取り外し、オイルの量を確認します。正しいオイルレベルは、検油棒のインジケーター(B、図 4)の一番上です。
5. 検油棒(A、図 4)を取り付け、締め付けて下さい。
6. スパークプラグのワイヤをスパークプラグに接続します。オイルの抜き取りの項を参照してください。

## エアフィルターの清掃



**警告** 燃料ガスは可燃性が高く、爆発しやすい性質があります。火災や爆発は、火傷あるいは死亡を引き起こす可能性があります。

- ・ エアクリーナーアセンブリ(装備されている場合)やエアフィルター(装備されている場合)を外した状態で、エンジンの始動や操作をしないで下さい。

### 通知

フィルターの清掃に、加圧された空気や溶剤を使用しないでください。圧搾空気でフィルターが破損し、有機溶剤によりフィルターが溶ける場合があります。

整備要件については、保守スケジュールをご覧ください。

モデルにより、フォームまたは紙のフィルターを使用します。一部のモデルでは、洗浄して再利用可能なブリクレーナーがオプションで装備されている場合があります。本説明書の挿絵とお持ちのエンジンに設置されたタイプとを比較して、指示に従ってサービスを行なって下さい。

## 紙素材のエアフィルター

1. カバーハンドル(A、図 13)を引き上げます。エンジンの方向にカバーハンドルを回してから、カバー(B)を取り外します。
2. プレクリーナー(C、図 13)が装備されている場合は、フィルター(D)とともに取り外します。
3. フィルター(D、図 13)を固い面の上で軽くたたいて、不要な物質を取り除いて下さい。エアフィルターが汚れている場合は、新しいエアフィルターと交換してください。
4. プレクリーナー(C、図 13)を液体洗剤入りで洗います。プレクリーナー(C)を完全に空気乾燥させます。プレクリーナーに潤滑油を差さないでください。
5. 乾燥させたプレクリーナー(C、図 13)とフィルター(D)をエンジンベース(E)に取り付けて下さい。
6. カバー(B、図 13)のタブ(F)をブローハウジングのスロット(G)に合わせて下さい。
7. カバーハンドル(A、図 13)を元に返し、押し込んで正しい位置に固定して下さい。

## 紙素材のエアフィルター

1. 止め具を緩めます(A、図 14)。
2. カバー(B、図 14)を取り外して下さい。
3. フィルター(C、図 14)の端を持ち上げ、フィルターを吸気口(D)から取り外します。

4. フィルター(D、図 14)を固い面の上で軽くたたいて、不要な物質を取り除いて下さい。エアフィルターが汚れている場合は、新しいエアフィルターと交換してください。
5. プレクリーナー(E、図 14)が装備されている場合は、フィルター(C)から取り外して下さい。
6. プレクリーナー(E、図 14)を液体洗剤入りで洗います。プレクリーナーを完全に空気乾燥させます。プレクリーナーに潤滑油を差さないでください。
7. プレクリーナー(E、図 14)が装備されている場合は、乾かしてフィルター(C)に取り付けて下さい。
8. フィルター(C、図 14)を吸気口(D)に取り付けます。フィルターの端をエンジンベース内に押し込んで下さい。フィルターがエンジンベースにしっかりと固定されていることを確認します。
9. エアフィルターカバー(B、図 14)を取り付け、止め具で固定して下さい。

## 燃料システムの整備



**警告** 燃料及び発生ガスは可燃性が高く、爆発しやすい性質があります。火災や爆発は、火傷あるいは死亡を引き起こす可能性があります。

- ・ 燃料は、スパーク、直火、パイロット・ランプ、熱、その他の引火の原因となるものから遠ざけてください。
- ・ 燃料パイプ、燃料タンク、燃料キャップ、そして接続部にひび割れや漏れがないが頻繁に確認して下さい。損傷のある部品は交換して下さい。
- ・ 燃料がこぼれた場合は、蒸発するまでエンジンの始動を待って下さい。

## 燃料フィルターが取り付けられている場合

1. 燃料フィルター(A、図 15)を交換する前に、燃料タンクから燃料を排出するか、燃料遮断バルブを開けてください。燃料タンクから燃料を排出しないと、燃料が漏れて火災や爆発を引き起こす危険があります。
2. ベンチを使用して締め具(C)のタブ(B、図 15)をつまんで、締め具を燃料フィルター(A)から取り外して下さい。
3. 燃料ライン(D、15)を振りながら引き、燃料フィルターから外します。
4. 燃料パイプ(D、図 15)にひびや漏れがないか点検します。必要に応じて、燃料ラインを交換します。
5. 燃料フィルター(A、図 15)を交換して下さい。
6. 燃料パイプ(D、図 15)に締め具(C)を取り付けて下さい。

## 燃料濾過器が取り付けられている場合

1. 燃料キャップ(図16のA)を取り外します。
2. 燃料濾過器(図16のB)を取り外します。
3. 燃料濾過器が汚れている場合は、清掃するか交換してください。燃料濾過器を交換する場合は、必ず純正品の交換用の燃料濾過器をご使用ください。

## 保管

### 燃料システム

図を参照して下さい： 17。



**警告** 燃料及び発生ガスは可燃性が高く、爆発しやすい性質があります。火災や爆発は、火傷あるいは死亡を引き起こす可能性があります。

### 燃料の保管

- ・ パイロットランプまたはその他の点火源は、爆発する可能性があります。炉、ストーブ、給湯器、その他のパイロットランプを持つ器具から、燃料や装置を離して保管して下さい。

エンジンは水平の状態でご保管して下さい(通常操作位置)。燃料タンク(A、図 17)に燃料を給油します。燃料が膨張することがあるので、給油は燃料タンクの首部分(B)を超えないようにします。

燃料は30日以上保存容器に入れておくと劣化する可能性があります。燃料の劣化を防ぎ新鮮な状態に保つために、保存容器にアルコールを含まない燃料安定剤とエタノール添加剤を入れることをお勧めします。

燃料を燃料タンクに入れる時に、メーカーの説明に記載された方法でアルコールを含まない燃料安定剤を加えます。エンジンの中のガソリンに燃料安定剤が添加されていない場合は、認定された容器に排出しなければなりません。燃料が完全に排出されるまでエンジンをかけておきます。

## エンジンオイル

エンジンオイルがまだ温かい時に、エンジンオイルを交換してください。エンジンオイルの交換セクションをご覧ください。



# トラブルシューティング

## サポート

サポートが必要な場合は、最寄りの販売店までご連絡ください。もしくは  
はBRIGGSandSTRATTON.COM にアクセスしていただくが、または 1-800-444-7774  
(米国内)までご連絡ください。

## 仕様とサービス部品

仕様	モデル、210000	モデル、310000
排気量	21.01 ci (344 cc)	30.59 ci (501 cc)
ボア	3.437 インチ (87,30 mm)	3.563 インチ (90,49 mm)
ストローク	2.264 インチ (57,51 mm)	3.062 インチ (77,77 mm)
オイル容量 - フィルター 無し	42 - 44 oz ( 1,24 - 1,30 L)	42 - 44 oz ( 1,24 - 1,30 L)
オイル容量 - フィルター 有り	46 - 48 oz ( 1,36 - 1,40 L)	46 - 48 oz ( 1,36 - 1,40 L)
スパークプラグのギャップ	.030 インチ ( ,76 mm )	.030 インチ ( ,76 mm )
スパークプラグのトルク	180 ポンド-インチ (20 Nm)	180 ポンド-インチ (20 Nm)
アーマチャー間エア ギャップ	0.010 - 0.014 インチ (0,25 - 0,36 mm)	0.010 - 0.014 インチ (0,25 - 0,36 mm)
吸気バルブのクリアランス	0.003 - .005 インチ (0,08 - 0,13 mm)	0.003 - .005 インチ (0,08 - 0,13 mm)
排気バルブのクリアランス	0.005 - 0.007 インチ (0,13 - 0,18 mm)	0.005 - 0.007 インチ (0,13 - 0,18 mm)

## サービス部品

Briggs & Stratton サービス部品を購入するには、正規の修理店を  
BRIGGSandSTRATTON.COM でお探しくださいます。識別番号 (モ  
デル - タイプ - トリム) が必要になります。機能及びコントロール  
セクションを参照して、エンジン識別番号をお探しくださいます。



## を参照

各ガソリンエンジンモデルの出力定格は、SAE (自動車技術者協会) のコード  
J1940 (小型エンジン出力 & トルクのレーティング手続き) に従ってラベル上に表  
示され、SAE J1995に従ってレーティングが行われます。トルクは、ラベルにrpm  
と示されているエンジンでは2600 RPMで計測され、その他のエンジンでは3060  
RPMで計測されます。一方、馬力は3600 RPMで算出されます。グロス出力曲線  
は、www.BRIGGSandSTRATTON.COMでご覧いただけます。ネット出力は排気装置と  
空気清浄機を取り付けた状態で測定されます。一方、グロス出力はこれらのアタッチメ  
ントのない状態で測定されます。実際のグロスエンジン出力はネットエンジン出力より  
も高く、特に周囲の動作条件や各エンジンの特性の違いによる影響を受けます。様々な  
製品にエンジンが搭載されることを考えると、特定の電動装置で使用される場合、ガソ  
リンエンジンは定格のグロス出力を発揮しない場合があります。この相違は、エンジン  
部品 (空気清浄機、排気装置、充電器、冷却装置、キャブレター、燃料ポンプなど)、  
用途に関する制限、周囲の動作環境 (温度、湿度、海拔)、各エンジンの特性の違いな  
どの様々な要因によって生じます。製造および能力上の制限により、Briggs & Stratton  
では、このエンジンの代わりにより定格出力の高いエンジンを使用する場合があります。

## 保証

### Briggs & Stratton® エンジン保証

2022年8月発効

#### 限定保証

Briggs & Strattonは、以下に記載した保証期間中、材料または製造上の欠陥あるいはそ  
の両方が認められる一切の部品について、Briggs & Strattonの独自の裁量により、新規  
部品、再調整部品または再生部品を使用して、無料で修理または交換を行なうことを  
保証します。本保証に基づいて修理または交換を行なうための製品配送費用はご購入  
者の負担となります。本保証は以下に述べた期間内のみ有効であり、以下の条件に従  
うものとします。保証サービスについては、BRIGGSandSTRATTON.COMにある販売  
店の検索マップで、最寄りの認定サービスディーラーをご確認ください。ご購入者は  
認定サービスディーラーにご連絡の上、製品を認定サービスディーラーにて検査およ  
び試験を受けられる状態にしてください。

その他に明示された保証はありません。特定の目的に対する市場性および商品適格  
性を含む黙示的な保証は、購入から1年間、または法が許す範囲に限定されます。他の  
全ての黙示的な保証は除外されます。付随的、または結果的に生じる損害に対する責任  
は、法律で認められている範囲内で除外されます。州や国によっては、黙示的な保証期  
間に制限を設けることが認められない場合や、付随的、または結果的に生じる損害に  
対する責任の除外や制限が認められない場合があり、お客様に上記の制限や除外が適

用されない可能性があります。本保証ではお客様に特定の法的権利を提供しますが、  
国や地域ごとに異なる他の権利が与えられる場合もあります。

## 標準保証規約<sup>1, 2</sup>

### Vanguard®, 商用シリーズ

家庭用 - 36か月

業務用 - 36か月

### XR シリーズ

家庭用 - 24か月

業務用 - 24か月

### その他のデュラポア™ 鋳鉄スリーブ付きエンジン

家庭用 - 24か月

業務用 - 12か月

### その他全てのエンジン

家庭用 - 24か月

業務用 - 3か月

<sup>1</sup> これらは弊社の標準保証規約です。ただし、今後、本文書の発行時には未定であつ  
た追加的な保証対象範囲が加わる可能性があります。お使いのエンジンに関する現在の  
保証規約の一覧については、BRIGGSandSTRATTON.COMのサイトで参照して頂く  
が、最寄りのBriggs & Stratton認定サービスディーラーにお問合せください。

<sup>2</sup> 電力の代わりに主電源として機器に使われるエンジン、業務用の目的で使われるス  
タンバイ発電機、25MPHを超えるユーティリティビークル、またはレースや業務用/  
レンタルトラックで使用されるエンジンについて保証はありません。

<sup>\*</sup> オーストラリアにおいて - 当社製品はオーストラリア消費者法 (the Australian  
Consumer Law) に基づいて、排除不能な保証付きで提供されます。お客様は、重  
大な不良が見つかった場合の交換あるいは払い戻しを受けることができ、その他  
一切の合理的に予測可能な損失または損害に対する補償を受ける権利を有します。  
また、商品が許容品質に到達しておらずその不良が重大な不良ではない場合、お  
客様は商品の修理または交換を受ける権利を有します。保証サービスを受けるに  
は、BRIGGSandSTRATTON.COMにある当社のディーラー位置表示マップで最寄  
りの認定サービスディーラーを見つけてお問合せいただくか、あるいは電話 (1300  
274 447)、電子メール (salesenquires@briggsandstratton.com.au)、または郵便  
(Briggs & Stratton Australia Pty Ltd, 1 Moorebank Avenue, NSW, Australia, 2170)  
で、当社までご連絡ください。

保証期間は、最初の消費者、または商業エンドユーザーのご購入日に開始し、上記の  
表に記載されたとおり継続します。「家庭用」とは、最終消費者による個人的な家庭  
における用途を意味します。「業務用」とは、業務、収益、レンタル目的を含むその  
他一切の用途を意味します。エンジンが業務用に一度でも使用された場合、その後は  
本保証の目的において業務用のエンジンとみなされます。

Briggs & Stratton製品の保証サービスを受けるための保証登録は不要です。購入時の  
レシートを保管しておいてください。保証サービス請求時に、お客様から最初の購入  
年月日を証明するものを提示いただけない場合は、保証期間を決定するため、製品の  
製造年月日が使用されます。

#### 保証について

この制限付き保証は、エンジン関連の材料および/または製作面での問題のみを対象と  
し、エンジンが取り付けられている装置に関する交換や払い戻しは対象に含まれませ  
ん。通常のメンテナンス、チューニング、調整、正常な消耗はこの保証では対象に  
含まれません。同様に、エンジンが改変・変造されている場合や、エンジンのシリアル  
番号が損なわれたり取り外されたりしている場合、保証は適用されません。この保証  
は、以下によって引き起こされたエンジンのダメージや性能上の問題は対象に含ま  
れません。

- Briggs & Strattonの純正部品ではないBriggs & Stratton
- 不十分であったり、汚染されていたり、あるいは不適当な等級の潤滑油でのエン  
ジンの運転
- 汚染された燃料、古い燃料、エタノール成分を10%以上含むガソリンの使用、ま  
たは本来はBriggs & Stratton製エンジンの運転用に指定されていない / 製造されて  
いない液化石油油や天然ガスなどの代替燃料の使用 ;
- エアクリーナーの保守や取り付けが不適切なために生じたエンジンへの異物の侵  
入
- ロータリー芝刈り機カッターブレードの対物衝突、ブレードアダプタ、インペラ  
その他クランク軸に結合する装備の不適切な取付けや締め付け不足、Vベルトの  
締め過ぎ
- Briggs & Strattonの供給品ではないクラッチ、トランスミッション、Briggs &  
Stratton
- 冷却フィンやフライホイール付近を塞いだり詰まらせる刈り取った草、土、ゴミ  
、ネズミ等の糞による過熱、または充分な換気無しでのエンジンの操作
- スピードの出し過ぎ、エンジン取付けの緩み、カッターブレードやインペラの緩  
みや不均衡、クランク軸への装備の不適切な取付けによって生ずる、過大な振動
- 器具についての誤使用、定期点検の欠落、配送、取扱、保管、また不適切なエン  
ジンの設置。

保証サービスは、Briggs & Strattonの正規の修理店を通じてのみご提供いたしません。BRIGGSandSTRATTON.COMの販売店の検索マップで最寄りの正規修理店を探していただくか、もしくは1-800-444-7774 (米国) までご連絡ください。

80114782 (改訂 A)

Not for  
Reproduction

## 일반 정보



이 설명서는 엔진과 관련된 위험요소와 잠재 위험에 대한 안전 정보와 이에 대한 예방책을 담고 있습니다. 또한 이 매뉴얼은 이 엔진의 올바른 작동 및 유지보수에 대한 내용도 담고 있습니다. 귀하가 본 설명서를 읽고, 이해하고 이를 준수하는 것은 중요합니다. 나중에 참조할 수 있도록 이 설명서를 보관해 두십시오.

참고: 이 설명서에 있는 그림과 예시는 참조용으로만 제공된 것이며, 사용자의 모델과 다를 수 있습니다. 귀하의 엔진 구성과 일치하는 그림을 사용하십시오. 필요할 경우, 공인 서비스 대리점에 연락하십시오.

부품 교체를 위해, 구매 일자, 엔진 모델, 유형, 트림 및 엔진 일련 번호를 기록하십시오. 이러한 번호는 귀하의 엔진에 명시되어 있습니다. 기능 및 제어장치 섹션을 참조하십시오.

구입 날짜	
엔진 모델- 유형 - 트림	
엔진 일련 번호	

## 유럽 사무소 연락처 정보

유럽 배출가스 관련 질문은 아래 유럽 사무소로 문의하십시오.

id="European\_Contact\_Info"Max-Born-Straße 2, 68519 Viernheim, Germany.

## 유럽연합(EU) 단계 V(5): 이산화탄소(CO2) 값

Briggs & Stratton EU 형식 승인 인증 엔진의 이산화탄소 값을 찾아보려면 BriggsandStratton.com에서 검색창에 CO2를 입력하십시오.

## 작업자 안전

### 안전 경고 기호 및 신호 용어



안전 경고 기호는 신체 부상을 초래할 수 있는 위험에 대한 안전 정보를 식별하는데 사용됩니다. 신호 용어(위험, 경고 또는 주의)는 부상의 가능성 및 잠재적인 심각도를 표시하기 위해 사용됩니다. 위험 기호는 위험 유형을 표시하는 데에도 사용됩니다.

위험은 방지하지 않을 경우 사망 또는 중상을 입을 위험을 나타냅니다.

경고는 방지하지 않을 경우 사망 또는 중상을 입을 수 있는 위험을 나타냅니다.

주의는 방지하지 않을 경우 경상 또는 중간 정도의 부상을 입을 수 있는 위험을 나타냅니다.

고지사항은 중요하지만, 위험과 관련이 없다고 간주되는 정보를 나타냅니다.

### 안전 기호 및 의미

인체 상해를 초래할 수 있는 위험에 대한 안전 정보입니다.	장치를 작동하거나 서비스하기 전에 먼저 사용설명서를 읽고 이해하십시오.
화재 위험	폭발 위험
충격 위험	유독 가스 위험
고온 표면 위험	반동 위험
절단 위험 - 움직이는 부품	연료 레벨 - 최대 넘치게 주입하지 마십시오

## 안전 메시지



Briggs & Stratton® 엔진은 편카트, 고카트, 아동용 차량, 레저용 차량 또는 전지형 스포츠 만능차(ATV), 오토바이, 호버크래프트, 항공기 제품, Briggs & Stratton의 인가를 받지 않은 대화용 차량을 위해 설계되거나 이러한 차량에 동력을 공급하는 데 사용되지 않습니다. 경주용 제품에 대한 정보는 www.briggsracing.com을 참조하십시오. 유틸리티 및 병렬식 전지형 만능차 사용에 대한 문서는 Briggs & Stratton 파워 어플리케이션 센터에 1-866-927-3349번으로 연락해 주십시오. 엔진을 올바르게 사용하지 않으면 심각한 부상이나 사망을 초래할 수 있습니다.

## 재활용 정보

		정부 규정에 따라 모든 판지 상자, 상자, 사용한 오일 및 배터리를 재활용하십시오.
--	--	--

## 기능 및 제어장치

### 엔진 제어장치

그림 1, 2 및 3의 굵아웃 문자를 다음 목록의 엔진 제어장치와 비교하십시오.

- A. 엔진 식별 번호 모델 - 유형 - 코드
- B. 점화 플러그
- C. 에어 클리너
- D. 스타터 코드 핸들(설치된 경우)
- E. 디스틱
- F. 오일 배출 플러그
- G. 소음기, 소음기 가드(설치된 경우), 스파크 방지장치(설치된 경우)
- H. 블로어 하우징 커버
- I. 오일 필터(설치된 경우)
- J. 전기 스타터(설치된 경우)
- K. 기화기
- L. 연료 필터(설치된 경우)
- M. 연료 펌프(설치된 경우)
- N. 빠른 오일 배출(설치된 경우)
- O. 전자 제어장치(설치된 경우)

## 엔진 제어 기호 및 의미

엔진 속도 - 고속	엔진 속도 - 느림
엔진 속도 - 정지	켜기 - 꺼짐
엔진 시동 공기 흡입 조절장치(초크) 닫힘	엔진 시동 공기 흡입 조절장치(초크) 열기
연료 캡 연료 차단 - 열기	연료 차단 - 닫힘

## 작동



경고 연료 증기는 인화성과 폭발성이 있습니다. 화재나 폭발은 화상이나 사망을 초래할 수 있습니다.

### 가스 냄새가 나는 경우

- 엔진 시동을 걸지 마십시오.
- 전기 스위치를 켜지 마십시오.
- 근처에서 전화기를 사용하지 마십시오.
- 해당 구역에서 대피하십시오.
- 소방서에 연락하세요.

### 장비를 작동할 때

- 연료가 흘러나올 정도의 각도로 엔진이나 장비를 기울이지 마십시오.

### 장비의 위치를 옮길 때

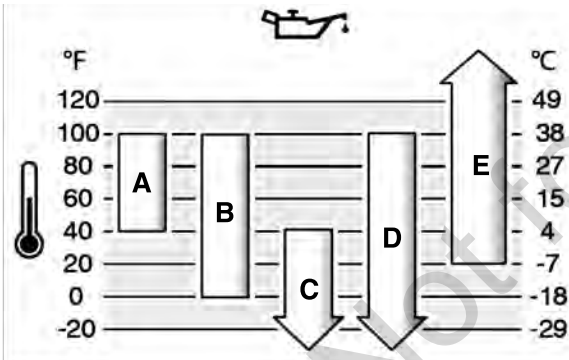
- 연료 탱크가 비어 있거나 연료 차단 밸브가 설치되어 있는 경우 꺼짐 위치에 있는지 확인하십시오.

## 오일 권장사항

오일 용량: 사양 섹션을 참조하십시오.

당사는 최고의 성능을 발휘할 수 있도록 Briggs & Stratton®이 공식적으로 보증하는 오일 사용을 권장합니다. 정비 SF, SG, SH, SJ 이상으로 분류된 경우, 다른 고품질 세제 오일도 사용할 수 있습니다. 특수 첨가제는 사용하지 마십시오.

차트를 사용해 예상되는 실외 온도 범위에 가장 적합한 점도를 선택하십시오. 대부분의 실외 전력 장비 엔진은 5W-30 합성오일로 잘 작동합니다. 고온에서 작동하는 장비의 경우, Vanguard® 15W-50 합성오일을 사용하여 최고의 보호 기능을 낼 수 있습니다.



A	SAE 30 - 40°F(4°C) 미만에서 SAE 30을 사용하면 시동이 어렵게 됩니다.
B	10W-30 - 80°F(27°C) 이상에서 10W-30을 사용하면 오일 소비량이 증가할 수 있습니다. 오일 잔량을 자주 점검하십시오.
C	5W-30
D	합성 5W-30
E	Vanguard® 합성 15W-50

## 오일 잔량 점검

오일을 점검하거나 추가하기 전

- 엔진이 수평 상태인지 확인합니다.
- 오일 주입 영역에서 모든 이물질을 치웁니다.
- 오일 용량은 사양 섹션을 참조하십시오.

### 알림

이 엔진은 Briggs & Stratton에서 오일 없이 배송되었습니다. 장비 제조업체나 대리점이 엔진에 오일을 추가했을 수 있습니다. 처음 엔진을 시동하기 전에, 오일 잔량이 올바른지 확인하십시오. 이 설명서의 지침에 따라 오일을 추가하십시오. 오일 없이 엔진의 시동을 걸면, 엔진이 손상되고 보증에 따른 수리를 받지 못하게 됩니다.

- 디스틱(A, 그림 4)을 꺼내 깨끗한 천으로 닦으십시오.
- 디스틱(A, 그림 4)을 설치하고 조입니다.
- 디스틱을 꺼내서 오일 레벨을 점검합니다. 오일 잔량이 디스틱의 가득참 표시기(B, 그림 4) 상단에 위치하는지 확인하십시오.
- 오일 잔량이 낮은 경우, 엔진 오일 주입구(C, 그림 4)로 천천히 오일을 추가합니다. 너무 많은 오일을 추가하지 마십시오.
- 1분 정도 기다린 후 오일 잔량을 점검합니다. 오일 잔량이 올바른지 확인하십시오.
- 디스틱(A, 그림 4)을 설치하고 조입니다.

## 오일 부족 보호 시스템(설치된 경우)

일부 엔진에는 오일 부족 경고 센서가 설치되어 있습니다. 오일이 부족한 경우, 센서가 작동하여 경고등이 켜지거나 엔진이 멈춥니다. 엔진을 정지하고, 엔진 시동을 걸기 전에 따르는 단계를 수행합니다.

- 엔진이 수평 상태인지 확인합니다.
- 오일 점검을 하십시오. 오일 레벨 점검 섹션을 참조하십시오.
- 오일 잔량이 부족한 경우, 적정량의 오일을 추가하십시오. 엔진 시동을 걸고, 경고등(설치된 경우)이 꺼져 있는지 확인합니다.
- 오일 잔량이 부족하지 않은 경우, 엔진을 시동하지 마십시오. 오일 문제는 Briggs & Stratton 공인 서비스 대리점에 연락하여 해결하십시오.

## 연료 권장사항

연료는 다음 요구사항을 충족해야 합니다.

- 깨끗하고 새 것인 무연 가솔린.
- 최소 옥탄가 87/87 AKI(91 RON). 높은 고도 사용은 아래 내용을 참조하십시오.
- 에탄올 함량이 최대 10%인 가솔린(가소솔)이 허용됩니다.

### 알림

E15 및 E85와 같이 승인되지 않은 가솔린은 사용하지 마십시오. 가솔린에 오일을 섞거나 대체 연료로 작동하도록 엔진을 개조하지 마십시오. 승인되지 않은 연료를 사용하면 엔진 구성품이 손상되어 보증에 따른 수리를 받지 못하게 됩니다.

연료 시스템에 검이 형성되지 않도록 하려면, 연료에 연료 안정제를 혼합하고 에탄올 처리를 하십시오. 보관 섹션을 참조하십시오. 모든 연료가 동일하지 않습니다. 시동 또는 성능 문제가 발생하면, 연료 공급업체나 브랜드를 바꾸십시오. 이 엔진은 가솔린으로 작동하도록 인증되었습니다. 카뷰레터 엔진의 배기가스 제어 시스템은 EM(엔진 변경)입니다. 전자식 연료분사 엔진의 배기가스 제어 시스템은 ECM(엔진 제어 모듈), MPI(멀티 포트 분사) 및 장착된 경우 O2S(산소 센서)입니다.

### 높은 고도

1524미터(5000피트)가 넘는 고도에서, 최소 옥탄가 85/85AKI(89RON) 가솔린이 허용됩니다.

기화식 엔진의 경우, 성능을 유지하려면 높은 고도 조정이 필요합니다. 이와 같은 조정 없이 엔진을 작동하면 성능이 저하되고, 연료 소모량이 늘어나고, 배기가스량이 증가하게 됩니다. 높은 고도 조정 관련 정보는 Briggs & Stratton 공인 서비스에 문의하십시오. 높은 고도 조정 키트를 사용하여 762미터(2500피트) 미만의 고도에서 엔진을 작동하는 것은 좋지 않습니다.

전자식 연료 분사(EFI) 엔진의 경우, 고도 조정이 필요하지 않습니다.

## 연료 추가



경고 연료와 그 증기는 인화성과 폭발성이 있습니다. 화재나 폭발은 화상이나 사망을 초래할 수 있습니다.

### 연료를 추가할 때

- 엔진을 끄십시오. 연료 캡을 제거하기 전에 최소 2분 동안 기다렸다가 엔진이 식었는지 확인하십시오.
- 실외 또는 공기 흐름이 좋은 곳에서 연료 탱크를 채우십시오.
- 탱크에 너무 많은 연료를 넣지 마십시오. 연료가 팽창될 수 있으므로 연료 탱크 목의 아래 부분 이상으로 연료를 채우지 마십시오.
- 연료를 스파크, 화염, 점화용 불씨, 열 및 기타 점화원 가까이에 두지 마십시오.
- 연료 라인, 연료 탱크, 연료 캡 및 연결부에 균열이나 누출이 있는지 자주 검사하십시오. 손상된 부품을 교체하십시오.
- 연료를 흘린 경우, 엔진의 시동을 걸기 전에 연료가 증발될 때까지 기다립니다.

- 오일 주입 영역을 청소하여 모든 잔해를 치웁니다. 연료 캡을 제거합니다.
- 연료 탱크(A, 그림 5)를 연료로 채우십시오. 연료가 팽창하기 때문에, 연료 탱크 주입구의 바닥선이 넘도록 채우지 마십시오(B).
- 연료 캡을 설치합니다.

## 엔진 시동



**경고**  
유독 가스 위험. 엔진 배기가스에는 몇 분 내에 사망에 이르게 할 수 있는 유독 가스인 일산화탄소가 포함되어 있습니다. 배기가스 냄새가 나지 않더라도 위험한 일산화탄소 가스에 여전히 노출될 수 있습니다. 본 제품을 사용하는 동안 아프거나 어지럽거나 힘이 빠지는 느낌이 들기 시작하면, 즉시 신선한 공기가 있는 곳으로 이동하십시오. 병원에 가서 진찰을 받으십시오. 일산화탄소에 중독될 수 있습니다.

- 일산화탄소 가스가 사용하는 공간에 모일 수 있습니다. 일산화탄소 가스로 인한 위험을 줄이려면, 야외, 그리고 창, 문, 환기구와 멀리 떨어진 곳에서만 이 제품을 작동하십시오.
- 제조업체의 지침에 따라 배터리로 작동하는 일산화탄소 경보기나 배터리 백업 방식의 플러그 접속식 일산화탄소 경보기를 설치하십시오. 화재 경보기는 일산화탄소 가스를 감지할 수 없습니다.
- 통풍을 위해 팬을 사용하거나 문과 창문을 열어 놓더라도 집, 차고, 지하실, 좁은 공간, 창고 또는 밀폐된 공간에서는 이 제품을 작동하지 마십시오. 이 제품의 작동 후, 일산화탄소는 이러한 공간에 빠르게 축적되어 몇 시간 동안 머물 수 있습니다.
- 이 제품을 항상 바람이 부는 방향으로 놓아서 엔진 배기 가스가 사용 중인 공간과 반대 방향으로 흐르게 하십시오.



**경고**  
연료와 그 증기는 인화성과 폭발성이 있습니다. 화재나 폭발은 화상이나 사망을 초래할 수 있습니다.

### 엔진의 시동을 걸 때

- 점화 플러그, 머플러, 연료 캡 및 클리너(장착된 경우)가 제대로 설치되어 있는지 확인하십시오.
- 점화 플러그를 제거한 상태로 엔진 크랭크를 돌리지 마십시오.
- 엔진이 물에 잠긴 경우, 초크(장착된 경우)를 열기 또는 작동 위치로 설정하십시오. 스로틀(장착된 경우)을 빠르게 위치로 이동하고 엔진이 시동될 때까지 크랭킹 하십시오.
- 해당 구역에서 천연 가스나 액화 석유가스 누출이 있는 경우, 엔진의 시동을 걸지 마십시오.
- 증기는 인화성이기 때문에 압축된 스타터 액체를 사용하지 마십시오.



**경고**  
회전하는 부품은 손, 발, 머리카락, 의복 또는 액세서리와 얽혀 외상성 절단 또는 열상을 초래할 수 있습니다.

- 가드가 올바르게 설치된 상태에서 장비를 작동하십시오.
- 회전 부품에서 손과 다리를 멀리 하십시오.
- 장신구를 제거하고 회전하는 모든 부품에 긴 머리카락이 닿지 않게 하십시오.
- 헐렁한 옷을 입거나 걸릴 수 있는 물품을 착용하지 마십시오.



**경고**  
스타터 코드의 고속 후퇴(킥백)는 손과 팔을 뺄 수 있는 속도보다 더 빠르게 엔진 쪽으로 손과 팔을 끌어당겨서 골절, 타박상 또는 염좌를 유발할 수 있습니다.

- 엔진에 시동이 걸리면 반응을 방지할 수 있도록 저항이 느껴질 때까지 스타터 코드를 천천히 당기고 나서 빠르게 당깁니다.
- 엔진에 시동을 걸기 전에 모든 외부 장비와 엔진 부하에 대한 연결을 해제하거나 이를 제거하십시오.
- 블레이드, 임펠러, 풀러, 스포로켓 등(이에 국한되지 않음)의 직접 연결된 장비 구성품이 단단히 고정되어 있는지 확인하십시오.

- 엔진 오일을 점검하십시오. 오일 레벨 점검 섹션을 참조하십시오.
- 장비 운전 제어장치가 설치된 경우 해당 제어장치가 해제되었는지 확인합니다.
- 연료 차단 밸브(A, 그림 6)(설치된 경우)를 열기 위치에 놓습니다.
- 스로틀 제어장치(B, 그림 6)(설치된 경우)를 FAST 위치에 놓습니다.
- 초크 제어장치(C, 그림 6)가 있는 모델은 초크 제어장치를 닫힌 위치로 이동합니다. 초크/스로틀 제어장치(G, 그림 6)가 있는 모델은 제어장치를 초크 위치로 이동합니다. ReadyStart<sup>®</sup>가 있는 모델은 다음 단계로 이동합니다.

참고: 따뜻한 엔진을 시동할 때에는 보통 초크가 필요하지 않습니다.

- 전기 스타터가 있는 모델은, 키 스위치(D, 그림 6)(설치된 경우)를 켜짐/시동 위치로 돌립니다.

**알림** 전기 스타터가 있는 모델은 키 스위치가 켜짐/시동 위치에 있을 때 전기 스타터가 자동으로 시작합니다.

- 시동 되감기가 있는 모델은, 키 스위치(D, 그림 6)(설치된 경우)를 켜짐 위치로 돌립니다. 스타터 코드(E, 그림 6)를 천천히 당기다가 저항이 느껴지면 빨리 당깁니다.
- 엔진이 예열되면, 초크 제어장치(C, 그림 6)를 열기 위치로 이동합니다.

## 엔진 정지



**경고**  
연료와 그 증기는 인화성과 폭발성이 있습니다. 화재나 폭발은 화상이나 사망을 초래할 수 있습니다.

- 엔진을 멈추기 위해 기화기(장착된 경우)를 막지 마십시오.
- 키 스위치(D, 그림 6)(설치된 경우) 또는 다른 정지 스위치를 꺼짐 위치로 돌립니다.
  - 키를 빼서 안전한 장소에 보관합니다.
  - 엔진이 정지한 후, 연료 차단 장치(A, 그림 6)(설치된 경우)를 닫힌 위치로 이동합니다.

## 유지보수

### 유지보수 정보



**경고**  
연료와 그 증기는 인화성과 폭발성이 있습니다. 화재나 폭발은 화상이나 사망을 초래할 수 있습니다.

유지보수 중에 장치를 기울여야 하고, 연료 탱크가 엔진에 장착된 경우 연료 탱크가 비어 있고 점화 플러그 쪽이 위를 향하고 있는지 확인하십시오. 연료 탱크가 비어 있지 않은 경우, 누출이 발생하여 화재나 폭발을 초래할 수 있습니다. 엔진이 다른 방향으로 기울어지면, 에어 필터 또는 점화 플러그의 오일 또는 연료 오염으로 인해 쉽게 시동이 걸리지 않게 됩니다.



**경고**  
우발적인 엔진 스파크는 감전이나 화재 또는 폭발을 일으킬 수 있으며 영림, 외상성 절단 또는 열상을 초래할 수 있습니다.

### 조정이나 수리를 하기 전:

- 모든 점화 플러그 와이어를 분리해서 점화 플러그에서 멀리 보관하세요.
- 음극 배터리 단자에서 배터리 전선을 분리합니다(전기 시동 엔진만 해당).
- 올바른 도구만 사용하십시오.

### 스파크를 점검할 때:

- 승인된 점화 플러그 테스터를 사용하십시오.
- 스파크 플러그를 제거한 상태로 스파크의 발생 여부를 확인하지 마십시오.



**경고**  
교체용 부품은 원래 부품과 동일해야 하고 동일한 위치에 설치되어야 합니다. 다른 부품에 손상이나 피해를 줄 수 있습니다.

### 알림

이 엔진을 제작하는 데 사용되는 모든 구성품은 올바른 작동을 위해 제자리에 위치해야 합니다.

엔진과 엔진 부품의 모든 유지보수와 정비는 Briggs & Stratton 공인 서비스 대리점에 문의하는 것이 좋습니다.

## 배기가스 제어장치 서비스

배기 가스 제어장치 및 시스템의 유지 보수, 교체 또는 수리에 대해서는 자격을 갖춘 오프로드 엔진 수리 시설이나 서비스 기술자에게 문의하십시오. 하지만, "무료" 배기가스 제어 서비스 작업은 공장 공인 대리점에서 수행해야 합니다. 배기가스 제어 진술서를 참조하십시오.

## 유지보수 일정

처음 5시간
<ul style="list-style-type: none"> <li>엔진 오일을 교환합니다<sup>1</sup>.</li> </ul>
8시간 간격 또는 매일
<ul style="list-style-type: none"> <li>엔진 오일 잔량을 확인하십시오.</li> <li>머플러와 컨트를 주변 부위 청소하십시오.</li> <li>공기 유입 그릴을 청소하십시오.</li> </ul>
25시간의 간격 또는 매년
<ul style="list-style-type: none"> <li>에어 필터를 청소합니다<sup>2</sup>.</li> <li>프리 클리너를 청소합니다<sup>2</sup>.</li> </ul>
50시간의 간격 또는 매년
<ul style="list-style-type: none"> <li>엔진 오일을 교환합니다<sup>3</sup>.</li> </ul>

<ul style="list-style-type: none"> <li>• 오일 필터(설치된 경우)를 교체합니다<sup>3</sup>.</li> <li>• 배기가스 시스템을 정비하십시오.</li> </ul>
<b>100시간의 간격 또는 매년</b>
<ul style="list-style-type: none"> <li>• 엔진 오일을 교환합니다<sup>4</sup>.</li> <li>• 오일 필터(설치된 경우)를 교체합니다<sup>4</sup>.</li> </ul>
<b>매년</b>
<ul style="list-style-type: none"> <li>• 점화 플러그를 교체하십시오.</li> <li>• 에어 필터를 교체하십시오.</li> <li>• 프리 클리너를 교체합니다.</li> <li>• 연료 필터를 교체하십시오.</li> <li>• 냉각 시스템을 정비합니다<sup>1</sup>.</li> <li>• 밸브 간격을 점검합니다<sup>5</sup>.</li> </ul>

- <sup>1</sup> 오일 필터가 없는 엔진만 해당.
- <sup>2</sup> 먼지가 많거나 공기중에 미립자가 많이 존재할 경우, 더 자주 청소하십시오.
- <sup>3</sup> 오일 필터가 없거나 표준 블랙 오일 필터가 있는 엔진. 부품 번호는 사양 섹션을 참조하십시오.
- <sup>4</sup> 노란색 또는 오렌지색 고효율 오일 필터가 있는 엔진. 부품 번호는 사양 페이지를 참조하십시오.
- <sup>5</sup> 엔진 성능 문제가 나타나지 않는 경우에는 필요하지 않습니다.

## 전자 연료 관리 시스템

전자 연료 관리 시스템은 엔진 온도, 엔진 속도 및 배터리 전압을 모니터링해서 엔진 시동과 예열 중에 초크를 조절합니다. 시스템을 조정할 필요는 없습니다. 시동 또는 작동 문제가 발생하는 경우, Briggs & Stratton 공인 서비스 대리점에 문의하십시오.

알림 이러한 규칙을 따르도록 해야 하며 그렇지 않으면 전자 연료 관리(EFM) 시스템이 손상될 수 있습니다.

- 배터리 케이블이 느슨한 경우 엔진을 시동을 꺼지 마십시오.
- 점프 스타트 케이블을 연결하거나 배터리 케이블을 분리 또는 다시 연결하기 전에 점화 스위치를 꺼진 위치로 돌립니다. 배터리를 충전할 때 점화 스위치를 꺼진 위치로 돌립니다.
- 배터리 케이블을 분리할 때는 먼저 배터리에서 음극(-) 케이블을 분리한 후 양극(+ ) 케이블을 분리합니다. 배터리 케이블을 배터리에 연결할 때는 먼저 배터리에 양극(+ ) 케이블을 연결한 후 음극(-) 케이블을 연결합니다.
- 배터리 충전기를 사용하여 엔진을 사용하지 마십시오.
- 엔진 작동 중에는 배터리 케이블을 분리하지 마십시오.
- 전자 제어 장치에 직접 물을 뿌리지 마십시오.

## 기화기 및 엔진 속도

기화기나 엔진 속도는 조정하지 마십시오. 기화기는 대부분의 조건에서 만족스럽게 작동하도록 공장 기본값으로 설정되어 있습니다. 엔진 속도를 조정하기 위해 조속기 스프링, 연동장치 또는 기타 부품을 변경하지 마십시오. 조절이 필요한 경우, Briggs & Stratton 공인 서비스 대리점에 연락하여 서비스를 받으십시오.

**알림**  
장비 제조업체는 장비에 설치된 엔진의 최대 속도를 지정합니다. 이 속도를 초과하지 마십시오. 장비 최대 속도 또는 공장에서 설정한 엔진 속도를 잘 모르는 경우, Briggs & Stratton 공인 서비스 대리점에 연락하여 지원을 받으십시오. 장비의 안전과 적절한 작동을 위해 엔진 속도는 숙련된 서비스 기술자만 조정해야 합니다.

## 점화 플러그 정비

와이어 게이지(B)로 점화 플러그 간극(A, 그림 7)을 확인합니다. 필요한 경우, 점화 플러그 간극을 설정하십시오. 스파크 플러그를 설치하고 올바른 토크로 조이십시오. 간격 또는 토크 사양은 사양 섹션을 참조하십시오.

## 배기 및 냉각 시스템 정비



**경고**  
작동 중, 엔진과 머플러가 뜨거워집니다. 뜨거운 엔진을 만지면 열화상을 입을 수 있습니다.

- 나뭇잎, 풀, 덩불 등 인화성 물질에 불이 붙을 수 있습니다.
- 엔진이나 머플러를 만지기 전에 엔진을 멈추고 2분 동안 기다리십시오. 엔진과 머플러를 만져도 안전한지 확인하십시오.
  - 머플러와 엔진에서 이물질을 제거하십시오.

4442 조항에 지정된 대로 효과적으로 작동하도록 유지관리된 스파크 어레스터가 설치된 배기 시스템이 갖춰지지 않는 한, 숲, 덩불 또는 풀로 덮인 땅에서 엔진을 사용하거나 작동

하는 것은 캘리포니아 공공 자원 코드(California Public Resource Code) 4442 조항을 위반하는 것입니다. 다른 주 또는 연방 관할권에 유사한 법률이 있을 수 있습니다. 연방 규정 36 CFR Part 261.52를 참조하십시오. 이 엔진에 설치된 배기가스 시스템용 스파크 어레스터를 구입하시려면 원래 장비 제조업체, 소매업체 또는 대리점에 문의하십시오.

이것은 공냉식 엔진입니다. 먼지 또는 원치않는 물질은 공기의 흐름을 방해하여 엔진이 과열되는 원인이 됩니다. 이는 불만족스러운 성능과 엔진 수명 단축으로 이어집니다. 실린더 냉각핀에 엔진의 부분 분해 없이는 제거할 수 없는 원치않는 물질이 모일 수 있습니다. 이 공냉식 시스템의 검사와 세척은 반드시 Briggs & Stratton 공인 서비스 대리점에 서 하도록 해주세요. 유지보수 일정을 참조하십시오.

1. 이 머플러 주위와 뒷쪽에는 가연성 물질이 없도록 확실히 해주십시오.
2. 솔 또는 마른 천을 사용하여 불로어 하우징 커버, 머플러 및 실린더 부위에서 원치않는 모든 물질을 제거해주세요. 엔진을 세척하실 때 절대 물을 사용하지 마세요.
3. 반드시 연결고리, 스프링과 제어장치를 깨끗하게 유지해주세요.
4. 머플러에 균열, 부식 또는 기타 손상이 있는지 검사하십시오.
5. 검출기나 스파크 방지 장치가 설치된 경우, 손상 또는 탄소 찌꺼기로 막혀 있는지 검사하십시오. 해당 장비를 작동시키기 전에 반드시 대체 부품을 잘 세척하거나 설치하십시오.

## 엔진 오일 교환



**경고**  
연료와 그 증기는 인화성과 폭발성이 있습니다. 화재나 폭발은 화상이나 사망을 초래할 수 있습니다.

작동 중, 엔진과 머플러가 뜨거워집니다. 뜨거운 엔진을 만지면 열화상을 입을 수 있습니다.

- 상부 오일 채우기 튜브에서 오일을 빼낼 때 연료 탱크가 반드시 비어 있어야 합니다. 연료 탱크가 비어 있지 않으면 연료가 누출되어 화재나 폭발을 초래할 수 있습니다.
- 엔진이나 머플러를 만지기 전에 엔진을 멈추고 2분 동안 기다리십시오. 엔진과 머플러를 만져도 안전한지 확인하십시오.

사용한 오일은 위험한 폐기물이므로 적절히 처분해야 합니다. 하수도에 버리지 마십시오. 안전한 처분 또는 재활용 설비에 관해서는 지역 관청이나 정비 센터 또는 대리점에 문의하십시오.

## 오일 제거

1. 엔진을 끄고 따뜻한 상태에서 점화 플러그 와이어(D, 그림 8)를 분리하고 점화 플러그(E)와 먼 곳에 둡니다.
2. 딥스틱(A, 그림 9)을 제거하십시오.

## 오일 배출 플러그(설치된 경우)

1. 오일 배출 플러그(F, 그림 10)를 제거하십시오. 오일을 승인된 용기에 따릅니다.

참고: 오일 배출 플러그(G, 그림 10)는 엔진에 설치할 수 있습니다.

2. 오일을 배출한 후 오일 배출 플러그(F, 그림 10)를 설치하고 조입니다.

## 빠른 오일 배출(설치된 경우)

1. 엔진 측면에서 빠른 오일 배출 호스(H, 그림 11)를 분리합니다.
2. 오일 배출 캡(I, 그림 11)을 돌려서 제거합니다. 빠른 오일 배출(H)을 승인된 용기(J)로 조심스럽게 내립니다.
3. 오일 배출 후 빠른 오일 배출 캡(I, 그림 11)을 설치합니다. 빠른 오일 배출 호스(H)를 엔진 측면에 부착합니다.

## 오일 필터 교체

1. 엔진에서 오일을 배출합니다. 오일 제거 섹션을 참조하십시오.
2. 오일 필터(H, 그림 12)를 제거하고 적절히 폐기하십시오.
3. 새로운 오일 필터를 설치하기 전에, 오일 필터 개스킷에 깨끗한 오일을 살짝 바릅니다.
4. 개스킷이 오일 필터 어댑터에 닿을 때까지 손으로 오일 필터를 설치한 후 오일 필터를 1/2 ~ 3/4 정도 돌려서 조입니다.
5. 오일을 추가합니다. 오일 추가 섹션을 참조하십시오.
6. 엔진의 시동을 걸고 작동합니다. 엔진이 예열되면, 오일 누출이 있는지 점검합니다.
7. 엔진을 끄십시오. 오일 잔량이 딥스틱의 가득참 표시기 상단에 있는지 확인합니다. 오일 추가 섹션을 참조하십시오.

## 오일 추가

- 엔진이 수평 상태인지 확인합니다.
  - 오일 주입 영역을 청소하여 모든 이물질을 치우십시오.
  - 오일 용량은 사양 섹션을 참조하십시오.
1. 딥스틱(A, 그림 4)을 제거하십시오. 깨끗한 천으로 딥스틱에서 오일을 제거합니다.
  2. 엔진 오일 주입구(C, 그림 4)에 천천히 오일을 추가하십시오. 엔진 오일 주입구에 너무 많은 오일을 붓지 마십시오. 1분을 기다린 후 오일 잔량을 확인합니다.

참고: 빠른 오일 배출(장착시)에 오일을 추가하지 마십시오.

3. 디스틱(A, 그림 4)을 설치하고 조입니다.
4. 디스틱을 꺼내서 오일 레벨을 점검합니다. 올바른 오일 잔량은 디스틱의 완충 표시기(B, 그림 4) 상단에 있습니다.
5. 디스틱(A, 그림 4)을 설치하고 조입니다.
6. 점화 플러그 와이어를 점화 플러그에 연결하십시오. 오일 제거 섹션을 참조하십시오.

## 에어 필터 정비



**경고**  
연료 증기는 인화성과 폭발성이 있습니다. 화재나 폭발은 화상이나 사망을 초래할 수 있습니다.

- 에어 클리너 어셈블리(장착된 경우) 또는 에어 필터(장착된 경우)를 제거한 상태로 엔진의 시동을 걸거나 엔진을 작동하지 마십시오.

### 알림

알림 필터를 청소하는 데 가압 공기나 용제를 사용하지 마십시오. 가압 공기는 필터를 손상시킬 수 있고 용제는 필터를 용해시킵니다.

정비 요구사항은 유지보수 일정을 참조하십시오.

다른 모델은 폼 또는 종이 필터를 사용합니다. 일부 모델에는 세척 후 다시 사용할 수 있는 프리 클리너 옵션이 있을 수도 있습니다. 엔진에 설치된 유형과 이 설명서에 있는 그림을 비교하여 다음과 같이 정비하십시오.

### 종이 에어 필터

1. 커버 핸들(A, 그림 13)을 위로 당기십시오. 커버 핸들을 엔진 방향으로 돌린 다음 커버(B)를 제거하십시오.
2. 프리 클리너(C, 그림 13)(설치된 경우) 및 필터(D)를 제거하십시오.
3. 원치 않는 물질이 떨어지도록 필터(D, 그림 13)를 단단한 표면에 가볍게 두드리십시오. 필터가 더러운 경우 새로운 필터로 교체하십시오.
4. 프리 클리너(C, 그림 13)를 액체 세제와 물로 세척하십시오. 프리 클리너(C)를 완전히 공기 건조하십시오. 프리 클리너 윤활유를 바르지 마십시오.
5. 건조된 프리 클리너(C, 그림 13) 및 필터(D)를 엔진 베이스(E)에 조립하십시오.
6. 커버(B)의 탭(F, 그림 13)을 눌러 하우징의 슬롯(G)과 정렬하십시오.
7. 커버 핸들(A, 그림 13)을 뒤로 돌리고 아래로 눌러 제자리에 고정하십시오.

### 종이 에어 필터

1. 패스너(A, 그림 14)를 풀니다.
2. 커버(B, 그림 14)를 제거하십시오.
3. 필터(C, 그림 14)를 제거하려면 필터 끝을 들어 올린 다음 흡기구(D)에서 필터를 당겨 꺼내십시오.
4. 원치 않는 물질이 떨어지도록 필터(D, 그림 14)를 단단한 표면에 가볍게 두드리십시오. 필터가 더러운 경우 새로운 필터로 교체하십시오.
5. 필터(C)에서 프리 클리너(E, 그림 14)(설치된 경우)를 제거하십시오.
6. 프리 클리너(E, 그림 14)를 액체 세제와 물로 세척하십시오. 프리 클리너를 완전히 공기 건조하십시오. 프리 클리너 윤활유를 바르지 마십시오.
7. 건조된 프리 클리너(E, 그림 14)(설치된 경우)를 필터(C)에 조립하십시오.
8. 흡기구(D)에 필터(C, 그림 14)를 설치하십시오. 필터 끝을 엔진 바닥으로 미십시오. 필터가 엔진 베이스에 단단히 고정되어 있는지 확인하십시오.
9. 에어 필터 커버(B, 그림 14)를 설치하고 패스너로 부착하십시오.

## 연료 시스템 정비



**경고**  
연료와 그 증기는 인화성과 폭발성이 있습니다. 화재나 폭발은 화상이나 사망을 초래할 수 있습니다.

- 연료를 스파크, 화염, 점화용 불씨, 열 및 기타 점화원 가까이 두지 마십시오.
- 연료 라인, 연료 탱크, 연료 캡 및 연결부에 균열이나 누출이 있는지 자주 검사하십시오. 손상된 부분을 교체하십시오.
- 연료를 흘린 경우, 엔진의 시동을 걸기 전에 연료가 증발될 때까지 기다립니다.

### 연료 필터(설치된 경우)

1. 연료 필터(A, 그림 15)를 교체하기 전에, 연료 탱크를 비우거나 연료 차단 밸브를 잠그십시오. 연료 탱크가 비어 있지 않은 경우, 연료 누출이 발생하여 화재나 폭발을 초래할 수 있습니다.
2. 펜치로 클램프(C) 위에 탭(B, 그림 15)을 짚은 후, 클램프를 연료 필터(A)에서 멀리 움직입니다.
3. 연료 필터의 연료 선(D, 15)을 비틀어서 밖으로 당깁니다.
4. 연료 라인(D, 그림 15)에 균열이나 누출이 있는지 확인합니다. 필요시, 연료 선을 교체해줍니다.

5. 연료 필터(A, 그림 15)를 교체합니다.
6. 클램프(C)로 연료 라인(D, 그림 15)을 연결합니다.

### 연료 여과기 (설치된 경우)

1. 연료 캡(A, 그림 16)을 제거하십시오.
2. 연료 여과기(B, 그림 16)를 제거하십시오.
3. 연료 여과기가 더러운 경우, 세척하거나 교체합니다. 연료 여과기를 교체할 경우, 순정 장비 교체 연료 여과기를 사용하십시오.

## 보관

### 연료 시스템

그림 참조: 17.



**경고**  
연료와 그 증기는 인화성과 폭발성이 있습니다. 화재나 폭발은 화상이나 사망을 초래할 수 있습니다.

### 연료 저장

- 파일릿 라이트 또는 기타 점화원이 폭발을 야기할 수 있기 있으므로 파일릿 라이트가 있는 화로, 스토브, 온수기 또는 기타 기기에서 연료 또는 장비를 멀리 두십시오.

엔진은 수평 상태(정상 작동 위치)를 유지하십시오. 연료 탱크(A, 그림 17)를 연료로 채웁니다. 연료의 팽창을 수용할 수 있도록 연료 탱크 목(B)까지 채우지 마십시오.

연료는 보관 용기에 30일 이상 보관하면 신선도가 떨어질 수 있습니다. 연료 열화를 방지하고 연료를 신선한 상태로 유지하려면 보관 용기에 무알코올 연료 안정제를 첨가하고 에탄올 처리를 하는 것이 좋습니다.

연료 용기에 연료를 채울 때는 제조업체의 지침에 따라 무알코올 연료 안정제를 추가하십시오. 엔진의 가솔린이 연료 안정제로 처리되지 않은 경우에는 승인된 용기에 배출해야 합니다. 그리고 연료가 다 떨어질 때까지 엔진을 가동하십시오.

## 엔진 오일

엔진 오일이 아직 따뜻할 때 엔진 오일을 교체하십시오. 엔진 오일 교환 섹션을 참조하십시오.

## 문제해결

### 지원

도움이 필요한 경우, 해당 지역 대리점에 문의하거나 [BRIGGSandSTRATTON.COM](http://BRIGGSandSTRATTON.COM)으로 이동하거나 1-800-444-7774번(미국 내)으로 전화하십시오.

## 사양 및 정비 부품

사양	모델: 210000	모델: 310000
배기량	21.01ci(344cc)	30.59ci(501cc)
보어	3.437인치(87,30mm)	3.563인치(90,49mm)
스트로크	2.264인치(57,51mm)	3.062인치(77,77mm)
오일 용량 - 필터 없음	42 - 44oz(1,24 - 1,30L)	42 - 44oz(1,24 - 1,30L)
오일 용량 - 필터 있음	46 - 48oz(1,36 - 1,40L)	46 - 48oz(1,36 - 1,40L)
점화 플러그 간극	.030인치(.76mm)	.030인치(.76mm)
점화 플러그 토크	180lb-in(20Nm)	180lb-in(20Nm)
전기자 에어 간극	0.010 - 0.014인치(0,25 - 0,36mm)	0.010 - 0.014인치(0,25 - 0,36mm)
흡입 밸브 공차	0.003 - .005인치(0,08 - 0,13mm)	0.003 - .005인치(0,08 - 0,13mm)
배기 밸브 공차	0.005 - 0.007인치(0,13 - 0,18mm)	0.005 - 0.007인치(0,13 - 0,18mm)

### 정비 부품

Briggs & Stratton 서비스 부품을 구매하시려면 [BRIGGSandSTRATTON.COM](http://BRIGGSandSTRATTON.COM) 에서 공인 서비스 대리점을 찾아보세요. 귀하의 식별번호가 필요할 수 있습니다(모델 - 유형 - 트림). 귀하의 엔진 식별 번호를 찾으시려면 기능 및 제어장치 섹션을 참조하십시오.



## 정격 출력

각 가솔린 엔진 모델의 정격 총 출력은 SAE(미국 자동차 기술학회) 규약 J1940 소형 엔진 출력 및 토크 인증 절차에 따라 라벨에 명시되어 있으며 SAE J1995에 따라 정격이 부여됩니다. 토크 값은 "rpm"이 라벨에 명시된 엔진의 경우 2600RPM에서 비롯된 값이며, 기타 모든 엔진의 경우에는 3060RPM에서 비롯된 값입니다. 마력 값은 3600RPM에서 비롯

된 값입니다. 총 출력 곡선은 www.BRIGGSandSTRATTON.COM에서 확인할 수 있습니다. 순 출력 값이 배기 장치와 에어 클리너가 설치된 상태에서 구한 값인 반면 총 출력 값은 이러한 부착 장치가 없는 상태에서 구한 값입니다. 실제 총 엔진 출력은 순 엔진 출력보다 높지만, 무엇보다도 주변 작동 조건과 엔진 간 변동성의 영향을 받습니다. 엔진이 설치되는 다양한 제품을 고려해 볼 때, 제공된 출력 장비 부품으로 사용되는 경우에 가솔린 엔진은 정격 총 출력을 나타내지 못할 수도 있습니다. 이러한 차이는 엔진 구성품(에어 클리너, 배기, 충전, 냉각, 기화기, 연료 펌프 등), 적용 한계, 주변 작동 조건(온도, 습도, 고도), 엔진 간 변동성 등 다양한 요인(여기에 제한되지 않음)으로 인해 발생합니다. 제조 및 용량 제한으로 인해 Briggs & Stratton은 이 엔진을 정격 출력이 더 큰 엔진으로 대체할 수도 있습니다.

## 보증

### Briggs & Stratton® 엔진 보증

2022년 8월 발표

#### 제한 보증

Briggs & Stratton은 아래 명시된 보증 기간 중에 재료나 공정상 또는 두 경우 모두의 결함이 있는 모든 부품을 Briggs & Stratton의 단독 재량에 따라 새 부품, 수리된 제품 또는 재제조된 부품으로 무료로 수리 또는 교체해 드립니다. 이 보증에 따른 수리나 교체를 위해 제품의 반환 운송 시 소요되는 배송비는 구매자가 부담해야 합니다. 이 보증은 아래 명시된 기간과 조건에 유효하며, 이에 따라 시행됩니다. 보증 서비스를 받으려면 BRIGGSandSTRATTON.COM의 대리점 찾기 지도에서 가까운 공인 서비스 대리점을 찾으십시오. 구매자는 공인 서비스 대리점에 연락하여 공인 서비스 대리점이 제품을 검사하고 테스트할 수 있도록 해야 합니다.

다른 명시적 보증은 없습니다. 상품성 및 특정 목적에의 적합성에 대한 보증을 포함한 암묵적 보증은 구입일로부터 1년으로 제한되거나 법률로 허용된 범위로 제한됩니다. 다른 모든 암묵적 보증은 제외됩니다. 부수적 또는 결과적 손해에 대한 책임은 법률에서 허용하는 배제 범위까지 배제됩니다. 일부 주 또는 국가에서는 암묵적 보증의 지속 기간에 대한 제한을 허용하지 않고, 부수적 또는 결과적 손해의 배제나 제한을 허용하지 않는 주 또는 국가도 있으므로, 위의 제한 및 배제가 귀하에게 적용되지 않을 수도 있습니다. 이 보증에 따라 귀하는 특정한 법적 권리를 갖게 되며, 귀하는 주마다 그리고 국가마다 다른 권리도 갖게 될 수 있습니다.

표준 보증 기간 <sup>1, 2</sup>
<b>Vanguard®; 상업용 시리즈</b>
소비자 사용 - 36개월
상업적 사용 - 36개월
<b>XR 시리즈</b>
소비자 사용 - 24개월
상업적 사용 - 24개월
<b>Dura-Bore™ 주철 슬리브가 있는 기타 모든 엔진</b>
소비자 사용 - 24개월
상업적 사용 - 12개월
<b>전체 기타 엔진</b>
소비자 사용 - 24개월
상업적 사용 - 3개월

<sup>1</sup> 이것은 당사의 표준 보증 기간이지만, 이 엔진 보증이 발효될 시점을 기준으로 추가적인 보증 커버리지가 정해지지 않는 경우도 있습니다. 엔진에 대한 현재 보증 기간을 확인하려면, BRIGGSandSTRATTON.COM을 방문하거나 Briggs & Stratton 공인 서비스 대리점에 문의하십시오.

<sup>2</sup> 유틸리티를 대신하여 주 전원으로 사용되는 장치의 엔진 또는 25MPH를 초과하는 상업용 유틸리티 차량에 사용되는 비상용 발전기 또는 경주용이나 상업용 또는 렌탈 트럭에 사용되는 엔진에는 보증이 적용되지 않습니다.

\* 호주 - 당사의 제품은 호주 소비자법에 따라 배제될 수 없는 품질 보증서가 포함되어 있습니다. 중대한 고장이 발생한 경우 교체나 환불을 받고 기타 합리적으로 예측 가능한 손실이나 손해가 발생한 경우 보상을 받을 자격이 있습니다. 또한 중대한 고장이 아니지만 상품이 허용 가능한 품질을 유지하지 못하는 경우에도 상품의 수리를 받거나 교체 받을 자격이 있습니다. 보증 서비스의 경우, BRIGGSandSTRATTON.COM의 공인 대리점 찾기 지도에서 가까운 공인 서비스 대리점을 찾으십시오. 1300 274 447번으로 전화를 하시거나, salesenquiries@briggsandstratton.com.au로 이메일을 보내시거나, Briggs & Stratton Australia Pty Ltd, 1 Moorebank Avenue, Moorebank, NSW, Australia, 2170으로 우편을 보내주시기 바랍니다.

보증 기간은 첫 소매 소비자 또는 상업용 최종 사용자가 구입한 날짜에 시작되며 위에 명시한 기간 동안 지속됩니다. "소비자용"이란 소매 소비자가 자신이 주거하는 가정에서 사용을 의미합니다. "상업용"이란 상업용, 생계용 또는 대여용을 포함한 기타 사용을 의미합니다. 엔진을 상업적 용도로 사용하게 되면, 그 후에는 이 보증의 목적은 상업용으로 간주됩니다.

Briggs & Stratton 제품 보증을 받기 위해 보증 등록은 필요하지 않습니다. 구매 증명 영수증을 보관하십시오. 보증 서비스 요청 시에 최초 구매 일자 증빙자료가 없는 경우, 제품의 제조일자가 보증기간을 결정하는 데 사용됩니다.

#### 귀하의 보증 정보

본 제한 보증은 엔진 관련 소재 및/또는 공정상 문제에만 국한되며, 엔진이 탑재되는 장치의 교체 또는 환불은 해당되지 않습니다. 일상적인 유지보수, 투입, 성능 조정 또는 정상적인 마모 및 마멸은 이 보증에 포함되지 않습니다. 마찬가지로, 엔진을 변경하거나

개조하거나 엔진의 일련번호가 훼손되거나 삭제된 경우에도 보증이 적용되지 않습니다. 이 보증은 다음과 같은 경우로 인한 엔진 손상 또는 성능 문제를 보장하지 않습니다.

1. Briggs & Stratton 제품이 아닌 Briggs & Stratton
2. 불충분하고, 오염되거나 잘못된 등급의 윤활유로 엔진 작동
3. 오염되거나 오래된 연료, 에탄올 함량 10% 이상인 가솔린 또는 액화 석유 같은 대체 연료나 천연 가스를 Briggs & Stratton이 이러한 연료로 작동하도록 직접 설계/제조하지 않은 엔진에 사용하는 경우
4. 적절치 않은 공기 청정기 유지보수 또는 재조립으로 인해 엔진에 유입된 분진
5. 회전식 잔디깎이의 절삭날로 물체를 때리거나, 헬덱거나 적절치 않게 설치된 블레이드 어댑터, 임펠러 또는 기타 크랭크샤프트가 연결된 장치 또는 과도한 V 벨트의 장력
6. 연관 부품 또는 클러치, 트랜스미션, Briggs & Stratton
7. 짝은 잔디, 분진 및 부스러기로 인한 과열, 냉각 핀 또는 플라이휠 구역에 꽂히거나 이를 막는 설치류의 동식 또는 충분한 환기 없이 엔진 작동
8. 과속으로 인한 과도한 진동, 헬거운 엔진 설치, 헬겁거나 균형 잃은 절삭날 또는 임펠러 또는 장비 구성품과 크랭크샤프트의 커플링 오류
9. 장비의 일상적 유지보수, 선적, 취급 또는 보관의 잘못, 부재 또는 부적절한 엔진 설치

보증 서비스는 Briggs & Stratton 공인 서비스 대리점을 통해서만 가능합니다. 가까운 공인 서비스 대리점은 BRIGGSandSTRATTON.COM의 대리점 찾기 지도에서 찾거나 1-800-444-7774번(미국 내)으로 문의하십시오.

80114782 (개정 A)



## Maklumat Umum



Manual ini mengandungi maklumat keselamatan tentang bahaya dan risiko berkaitan enjin dan cara mencegahnya. Ia turut mengandungi maklumat operasi dan penyelenggaraan yang betul bagi enjin ini. Ia penting agar anda membaca, memahami dan mematuhi arahan ini. **Simpan manual ini bagi rujukan masa depan.**

**NOTA:** Rajah dan ilustrasi dalam manual ini disediakan sebagai maklumat sahaja dan mungkin berbeza daripada model anda. Gunakan rajah yang selaras dengan konfigurasi enjin anda. Jika perlu, bercakap dengan Pengedar Servis yang Sah.

Catatkan tarikh pembelian, model enjin, jenis, trim, dan nombor siri enjin untuk alat ganti. Nombor-nombor ini ada pada enjin anda. Rujuk bahagian **Ciri-ciri dan Kawalan**.

Tarikh Pembelian	
Model Enjin - Jenis - Trim	
Nombor Siri Enjin	

## Maklumat Hubungan Pejabat Eropah

Untuk pertanyaan mengenai pelepasan Eropah, sila hubungi pejabat Eropah kami di:

id="European\_Contact\_Info"Max-Born-Straße 2, 68519 Viernheim, Germany.

## Kesatuan Eropah (EU) Peringkat V (5): Nilai Karbon Dioksida (CO2)

Masukkan CO2 ke dalam tettingkap carian di BriggsandStratton.com untuk mencari nilai karbon dioksida bagi enjin Briggs & Stratton dengan Sijil Perakuan Jenis EU.

## Keselamatan Pengendali

### Simbol Amaran Keselamatan dan Perkataan Isyarat



Simbol amaran keselamatan mengenal pasti maklumat keselamatan mengenai bahaya yang boleh menyebabkan kecederaan diri. Kata isyarat (**BAHAYA**, **AMARAN**, atau **AWAS**) digunakan untuk menandakan kemungkinan dan potensi tahap kecederaan. Selain itu, simbol bahaya digunakan untuk mewakili jenis bahaya.

**BAHAYA** menunjukkan bahaya yang, jika tidak dielakkan, akan menyebabkan kematian atau kecederaan serius.

**AMARAN** menunjukkan bahaya yang, jika tidak dielakkan, boleh menyebabkan kematian atau kecederaan serius.

**AWAS** menunjukkan bahaya yang, jika tidak dielakkan, boleh menyebabkan kecederaan yang ringan atau sederhana.

**NOTIS** menunjukkan maklumat yang dianggap penting tetapi tidak berkaitan dengan bahaya.

## Simbol Keselamatan dan Makna

	Maklumat keselamatan mengenai bahaya yang boleh mengakibatkan kecederaan diri.		Baca dan fahami Manual Pengendali sebelum mengendalikan atau melakukan servis kepada unit ini.
	Bahaya Kebakaran		Bahaya Letupan
	Bahaya Renjatan		Bahaya Wasap Toksik
	Bahaya Permukaan Panas		Bahaya Tendangan Balik
	Bahaya Amputasi - Bahagian Bergerak		Paras Bahan Api - Maksimum Jangan Isi Berlebihan

## Mesej Keselamatan



### AMARAN

Enjin Briggs & Stratton® tidak direka untuk tujuan dan tidak boleh digunakan untuk menjana kuasa: fun-kart; go-kart; kenderaan kanak-kanak, kenderaan rekreasi atau kenderaan sukan serba rupa bumi (ATV); motosikal; hoverkraf; produk pesawat udara atau kenderaan yang digunakan dalam acara kompetitif yang tidak dibenarkan oleh Briggs & Stratton. Untuk maklumat mengenai produk perlumbaan kompetitif, lihat [www.briggsracing.com](http://www.briggsracing.com). Untuk kegunaan dengan kenderaan utiliti dan ATV bersebelahan, sila hubungi Briggs & Stratton Power Application Center, 1-866-927-3349. Penggunaan enjin yang tidak betul boleh menyebabkan kecederaan serius atau kematian.

## Maklumat Kitar Semula



Kitar semula semua karton, kotak, minyak terpakai, dan bateri sepertimana yang dinyatakan oleh peraturan kerajaan.

## Ciri-ciri dan Kawalan

### Kawalan Enjin

Bandingkan huruf petak bual dalam Rajah 1, 2, dan 3 dengan alat kawalan enjin dalam senarai yang berikut:

- Nombor Pengenalan Enjin **Model - Jenis - Kod**
- Palam Pencucuh
- Pembersih Udara
- Pemegang Kord Pemula (jika dipasang)
- Batang celup
- Palam Salir Minyak
- Peredam Bunyi, Adang Peredam Bunyi (jika dipasang), Penangkap Percikan Api (jika dipasang)
- Penutup Perumah Penghembus
- Penapis Minyak (jika dipasang)
- Pemula Elektrik (jika dipasang)
- Karburetor
- Penapis Bahan Api (jika dipasang)
- Pam Bahan Api (jika dipasang)
- Saliran Minyak Pantas (jika dipasang)
- Unit Kawalan Elektronik (jika dipasang)

## Simbol dan Maksud Kawalan Enjin

	Kelajuan Enjin - PANTAS		Kelajuan Enjin - PERLAHAN
	Kelajuan Enjin - BERHENTI		HIDUP - MATI
	Hidupkan Enjin Cok DITUTUP		Hidupkan Enjin Cok DIBUKA
	Penutup Bahan Api Penutup Bahan Api TERBUKA		Penutup Bahan Api TERTUTUP

# Operasi



## AMARAN

Wap bahan api adalah mudah terbakar dan mudah meletup. Kebakaran atau letupan boleh menyebabkan luka terbakar atau kematian.

### Jika anda terbau gas

- Jangan mulakan enjin.
- Jangan hidupkan suis elektrik.
- Jangan gunakan telefon dalam kawasan sekitar.
- Kosongkan kawasan tersebut.
- Hubungi jabatan bomba.

### Apabila anda mengendalikan peralatan

- Jangan condongkan enjin atau peralatan pada sudut yang menyebabkan bahan api tumpah.

### Apabila anda memindahkan lokasi peralatan

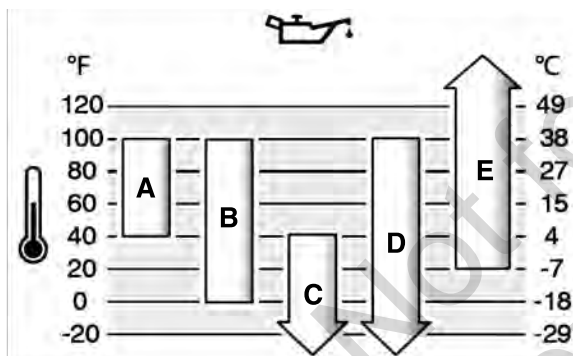
- Pastikan tangki bahan api KOSONG atau injap penyekat bahan api, jika dipasang, berada di posisi DITUTUP.

## Minyak Yang Disyorkan

**Kapasiti Minyak:** Rujuk bahagian *Spesifikasi*.

Untuk prestasi hebat kami mengesyorkan penggunaan minyak Briggs & Stratton® yang Diperakui Warranti. Minyak pencuci lain yang berkualiti tinggi dibenarkan jika dikelaskan untuk servis SF, SG, SH, SJ atau lebih tinggi. Jangan gunakan aditif khusus.

Gunakan carta untuk memilih kelikatan terbaik untuk julat suhu luar yang dijangkakan. Enjin dalam kebanyakan peralatan kuasa luar berfungsi dengan baik menggunakan minyak Sintetik 5W-30. Untuk peralatan yang dikendalikan pada suhu panas, minyak Vanguard® Sintetik 15W-50 memberikan perlindungan yang terbaik.



A	SAE 30 – Penggunaan SAE 30 pada suhu di bawah 40°F (4°C), akan menyebabkan enjin sukar dihidupkan.
B	10W-30 – Penggunaan 10W-30 pada suhu melebihi 80°F (27°C) boleh menyebabkan penggunaan minyak meningkat. Periksa paras minyak dengan kerap.
C	5W-30
D	Sintetik 5W-30
E	Vanguard® Sintetik 15W-50

## Periksa Aras Minyak

Sebelum anda memeriksa atau menambah minyak

- Pastikan kedudukan enjin sama paras.
- Bersihkan kawasan isian minyak daripada sebarang serpihan.
- Rujuk bahagian *Spesifikasi* untuk kapasiti minyak.

### NOTIS

Enjin ini dihantar dari Briggs & Stratton tanpa minyak. Pengeluar peralatan atau wakil pengedar mungkin telah menambahkan minyak ke dalam enjin. Sebelum anda memulakan enjin buat kali pertama, pastikan minyak berada pada paras yang betul. Tambah minyak mengikut arahan yang dinyatakan dalam manual ini. Jika anda memulakan enjin tanpa minyak, kerosakan akan berlaku dan enjin tidak akan dibaiki di bawah waranti.

1. Keluarkan batang celup (A, Rajah 4) dan bersihkan dengan kain.
2. Pasang dan ketatkan batang celup (A, Rajah 4).
3. Tarik keluar batang celup dan periksa aras minyak. Pastikan paras minyak berada di atas penunjuk penuh (B, Rajah 4) pada batang celup.

4. Jika paras minyak adalah rendah, tambah minyak dengan perlahan-lahan ke dalam bekas isian minyak enjin (C, Rajah 4). Jangan tambah terlalu banyak minyak.
5. Tunggu satu minit dan kemudian periksa aras minyak semula. Pastikan paras minyak adalah betul.
6. Pasang dan ketatkan batang celup (A, Rajah 4).

## Sistem Perlindungan Minyak Rendah (jika dipasang)

Sensor minyak rendah dipasang pada sesetengah enjin. Jika aras minyak adalah rendah, sensor akan menunjukkan lampu amaran atau menghentikan enjin. Hentikan enjin dan ikuti langkah berikut sebelum anda memulakan enjin.

- Pastikan kedudukan enjin sama paras.
- Lakukan pemeriksaan minyak. Rujuk bahagian *Periksa Paras Minyak*.
- Jika paras minyak adalah rendah, tambah jumlah minyak yang betul. Mulakan enjin dan pastikan lampu amaran (jika dipasang) tidak menyala.
- Jika paras minyak tidak rendah, jangan mulakan enjin. Hubungi Pengedar Servis Sah Briggs & Stratton untuk membetulkan masalah minyak tersebut.

## Bahan Api Yang Disyorkan

Bahan api harus mematuhi syarat ini:

- Petrol bersih, segar, tanpa plumbum.
- Minimum 87 oktana/87 AKI (91 RON). Untuk kegunaan altitud tinggi, lihat di bawah.
- Gasolin dengan kandungan sehingga 10% etanol (gasohol) dibenarkan.

### NOTIS

Jangan gunakan gasolin yang tidak diluluskan, seperti E15 dan E85. Jangan campurkan minyak dalam gasolin atau ubah enjin untuk beroperasi menggunakan bahan api alternatif. Penggunaan bahan api yang tidak diluluskan boleh menyebabkan kerosakan kepada komponen enjin, yang tidak akan dibaiki di bawah waranti.

Untuk melindungi sistem bahan api daripada pembentukan gam, dan kakisan, campurkan penstabil bahan api bebas alkohol dan rawatan etanol ke dalam bahan api. Rujuk bahagian *Penyimpanan*. Semua bahan api tidak sama. Jika masalah menghidupkan atau prestasi berlaku, tukar penyedia atau jenama bahan api. Enjin ini diperakui boleh dikendalikan menggunakan gasolin. Sistem kawalan pelepasan untuk enjin berkaburetor adalah EM (Pengubahsuaian Enjin). Sistem kawalan pelepasan untuk enjin dengan suntikan bahan api elektronik adalah ECM (Modul Kawalan Enjin), MPI (Suntikan Port Berbilang), dan jika dilengkapi dengan O2S (Sensor Oksigen).

### Altitud Tinggi

Pada altitud melebihi 5,000 kaki (1524 meter), minimum 85 oktana/85 AKI (89 RON) gasolin dibenarkan.

Bagi enjin berkaburetor, pelarasan altitud tinggi diperlukan untuk mengekalkan prestasi. Operasi tanpa pelarasan ini akan menyebabkan penurunan prestasi, peningkatan penggunaan bahan api dan peningkatan pelepasan. Hubungi Pengedar Servis Sah Briggs & Stratton untuk mendapatkan maklumat pelarasan altitud tinggi. Operasi enjin pada altitud di bawah 2,500 kaki (762 meter) dengan pelarasan altitud tinggi tidak disyorkan.

Bagi enjin Suntikan Bahan Api Elektronik (EFI), tiada pelarasan altitud tinggi diperlukan.

## Tambah Bahan Api



### AMARAN

Bahan api dan wapnya adalah mudah terbakar dan mudah meletup. Kebakaran atau letupan boleh menyebabkan luka terbakar atau kematian.

### Apabila anda menambah bahan api

- Hentikan enjin. Sebelum anda menanggalkan tutup bahan api, tunggu sekurang-kurangnya dua (2) minit untuk memastikan enjin sejuk.
- Isi tangki bahan api di luar atau di kawasan yang mempunyai aliran udara yang baik.
- Jangan isi terlalu banyak bahan api dalam tangki. Untuk pengembangan bahan api, jangan isi melebihi bahagian bawah leher tangki bahan api.
- Simpan bahan api jauh dari percikan api, nyalaan terbuka, lampu ujian, haba dan sumber penyalaaan lain.
- Periksa saluran bahan api, tangki bahan api, tutup bahan api, dan sambungan dengan kerap untuk mengesan retakan atau bocoran. Gantikan bahagian yang rosak.
- Jika bahan api tumpah, tunggu sehingga ia kering sebelum anda memulakan enjin.

1. Bersihkan bahagian tutup bahan api daripada sebarang kotoran dan serpihan. Tanggalkan tutup bahan api.
2. Isi tangki bahan api (A, Rajah 5) dengan bahan api. Memandangkan bahan api akan berkembang, jangan isi bahan api melebihi bahagian bawah leher tangki bahan api (B).

- Pasang tutup bahan api.

## Mulakan Enjin



### AMARAN

**BAHAYA GAS BERACUN.** Ekzos enjin mengandungi karbon monoksida, gas beracun yang boleh membunuh anda dalam beberapa minit. Walaupun anda tidak terbau wasap ekzos, anda masih boleh terdedah kepada gas karbon monoksida yang berbahaya. Jika anda rasa tidak sihat, pening, atau lemah semasa menggunakan produk ini, dapatkan udara segar SERTA-MERTA. Sila berjumpa doktor. Anda mungkin mengalami keracunan karbon monoksida.

- Gas karbon monoksida boleh terkumpul dalam ruang yang dihuni. Untuk mengurangkan risiko gas karbon monoksida, HANYA kendalikan produk ini di luar dan jauh dari tingkap, pintu dan liang udara.
- Pasang penggera karbon monoksida kendalian bateri atau penggera karbon monoksida pasang masuk dengan sandaran bateri sepertimana yang dinyatakan oleh arahan pengeluaran. Penggera asap tidak dapat mengesan gas karbon monoksida.
- JANGAN kendalikan produk ini di dalam rumah, garaj, ruang bawah tanah, ruang rangkai, bangsal, atau ruang tertutup yang lain, walaupun jika anda menggunakan kipas atau membuka pintu dan tingkap untuk pengudaraan. Selepas mengendalikan produk ini, karbon monoksida boleh terkumpul dengan cepat dalam ruang-ruang ini dan kekal selama berjam-jam.
- SENTIASA letakkan produk ini mengikut arah angin dan halakan ekzos enjin jauh dari ruang yang dihuni.



### AMARAN

**Bahan api dan wapnya adalah mudah terbakar dan mudah meletup. Kebakaran atau letupan boleh menyebabkan luka terbakar atau kematian.**

#### Apabila anda memulakan enjin

- Pastikan palam pencucuh, peredam bunyi, tutup bahan api dan pembersih udara (jika dilengkapi) dipasang dengan betul.
- Jangan engkol enjin dengan palam pencucuh dikeluarkan.
- Jika enjin banjir, tetapkan pencekik (jika dilengkapi) ke posisi BUKA atau JALANKAN. Gerakkan pendikit (jika dilengkapi) ke posisi LAJU dan engkol sehingga enjin hidup.
- Jika terdapat kebocoran gas asli atau LP di kawasan tersebut, jangan mulakan enjin.
- Memandangkan wap adalah mudah terbakar, jangan gunakan bendalir pemula bertekanan.



### AMARAN

**Bahagian berputar boleh menjerut tangan, kaki, rambut, pakaian, atau aksesori dan menyebabkan amputasi traumatik atau luka melecut.**

- Kendalikan peralatan dengan pelindung dipasang dengan betul.
- Jauhkan tangan dan kaki daripada bahagian yang berputar.
- Tanggalkan barang kemas dan pastikan rambut panjang berada jauh dari semua bahagian berputar.
- Jangan pakai pakaian longgar atau barangan yang boleh tersangkut.



### AMARAN

**Penarikan balik kord pemula secara pantas (tendangan balik) akan menarik tangan dan lengan ke arah enjin lebih cepat daripada keupayaan anda untuk melepaskannya. Akibatnya, tulang patah, keretakan, lebam, atau seliuh boleh berlaku.**

- Untuk mengelakkan tendangan balik apabila anda memulakan enjin, tarik kord pemula perlahan-lahan sehingga rintangan dirasai dan kemudian tarik dengan cepat.
- Sebelum anda memulakan enjin, putuskan sambungan atau tanggalkan semua peralatan luar dan beban enjin.
- Pastikan komponen peralatan ganding-terus, seperti tetapi tidak terhad kepada bilah, pendesak, kapi, dan gegancu, dilekatkan dengan betul.

- Periksa minyak enjin. Rujuk bahagian **Periksa Paras Minyak**.
- Pastikan alat kawalan memandu peralatan, jika dipasang, dilepaskan.
- Gerakkan injap penyekat bahan api (A, Rajah 6), jika dipasang, ke posisi BUKA
- Gerakkan kawalan pendikit (B, Rajah 6), jika dipasang, ke posisi LAJU.
- Untuk model dengan kawalan gabungan pencekik (C, Rajah 6), gerakkan kawalan pencekik ke kedudukan DITUTUP. Untuk model dengan kawalan gabungan pencekik/pendikit (G, Rajah 6), gerakkan kawalan ke kedudukan PENCEKIK. Bagi model dengan ReadyStart®, pergi ke langkah seterusnya.

**NOTA:** Pencekik selalunya tidak diperlukan semasa menghidupkan enjin panas.

- Bagi model dengan pemula elektrik, pusing suis kunci (D, Rajah 6), jika dipasang, ke posisi HIDUP / MULA.

**NOTIS** Bagi model dengan pemula elektrik, pemula elektrik akan dimulakan secara automatik apabila suis kunci berada pada posisi HIDUP / MULA.

- Bagi model dengan Putar Balik Mula, pusing suis kunci (D, Rajah 6), jika dipasang, atau suis berhenti lain, ke posisi HIDUP. Tarik pemegang kord pemula (E, Rajah 6) dengan perlahan sehingga rintangan dirasai, kemudian tarik dengan pantas.
- Semasa enjin dipanaskan, gerakkan kawalan pencekik (C, Rajah 6), jika dipasang, ke posisi BUKA.

## Hentikan Enjin



### AMARAN

**Bahan api dan wapnya adalah mudah terbakar dan mudah meletup. Kebakaran atau letupan boleh menyebabkan luka terbakar atau kematian.**

- Jangan cekik karburetor (jika dilengkapi) untuk menghentikan enjin.
- Pusing suis kunci (D, Rajah 6), jika dipasang, atau suis berhenti lain, ke posisi MATI.
  - Keluarkan kunci dan simpan di lokasi selamat.
  - Selepas enjin berhenti, gerakkan penyekat bahan api (A, Rajah 6), jika dipasang, ke posisi DITUTUP.

## Penyelenggaraan Maklumat Penyelenggaraan



### AMARAN

**Bahan api dan wapnya adalah mudah terbakar dan mudah meletup. Kebakaran atau letupan boleh menyebabkan luka terbakar atau kematian.**

Jika unit perlu dicondongkan semasa penyelenggaraan, pastikan tangki bahan api, jika dipasang pada enjin, adalah kosong dan bahagian palam pencucuh berada di atas. Jika tangki bahan api tidak kosong, kebocoran boleh berlaku dan boleh menyebabkan kebakaran atau letupan. Jika enjin dicondongkan dalam arah berbeza, ia tidak akan dapat dihidupkan dengan mudah disebabkan pencemaran penapis udara atau palam pencucuh oleh minyak atau bahan api.



### AMARAN

**Percikan api enjin secara tidak sengaja boleh menyebabkan kejutan elektrik, kebakaran atau letupan dan boleh menyebabkan keadaan tersangkut, amputasi traumatik atau luka melecut.**

#### Sebelum anda membuat pelarasan atau pembaikan:

- Cabut semua wayar palam pencucuh dan jauhkannya daripada palam pencucuh.
- Cabut wayar bateri pada terminal bateri negatif (hanya enjin dengan pemula elektrik).
- Gunakan hanya alat yang betul.

#### Apabila anda memeriksa kehadiran percikan api:

- Gunakan penguji palam pencucuh yang diluluskan.
- Jangan periksa kehadiran percikan api dengan palam pencucuh dikeluarkan.



### AMARAN

Bahagian gantian mesti sama dan dipasang dalam posisi sama seperti mana bahagian asal. Bahagian lain boleh menyebabkan kerosakan atau kecederaan.

### NOTIS

Semua komponen yang digunakan untuk membina enjin ini mesti kekal di tempatnya untuk operasi yang betul.

Berjumpa dengan Pengedar Servis yang Sah Briggs & Stratton untuk semua kerja-kerja penyelenggaraan dan servis bagi enjin dan alat ganti enjin.

## Servis Kawalan Pelepasan

Untuk penyelenggaraan, penggantian, atau pembaikan peranti dan sistem kawalan pelepasan, hubungi pusat pembaikan enjin luar jalan raya atau juruteknik servis yang berkelayakan. Walau bagaimanapun, untuk servis kawalan pelepasan "tanpa caj", kerja tersebut mestilah dilakukan oleh pengedar sah yang diiktiraf oleh kilang. Rujuk Pernyataan Kawalan Pelepasan.

## Jadual Penyelenggaraan

<b>5 Jam Pertama</b>
<ul style="list-style-type: none"><li>Tukar minyak enjin<sup>1</sup>.</li></ul>
<b>Selang Masa 8 Jam atau Setiap Hari</b>
<ul style="list-style-type: none"><li>Periksa paras minyak enjin.</li><li>Bersihkan kawasan di sekitar peredam bunyi dan alat kawalan.</li><li>Bersihkan jeriji ambilan udara.</li></ul>
<b>Selang Masa 25 Jam atau Setiap Tahun</b>
<ul style="list-style-type: none"><li>Bersihkan penapis udara<sup>2</sup>.</li><li>Cuci prapembersih<sup>2</sup>.</li></ul>
<b>Selang Masa 50 Jam atau Setiap Tahun</b>
<ul style="list-style-type: none"><li>Tukar minyak enjin<sup>3</sup>.</li><li>Gantikan penapis minyak (jika dipasang)<sup>3</sup>.</li><li>Servis sistem ekzos.</li></ul>
<b>Selang Masa 100 Jam atau Setiap Tahun</b>
<ul style="list-style-type: none"><li>Tukar minyak enjin<sup>4</sup>.</li><li>Gantikan penapis minyak (jika dipasang)<sup>4</sup>.</li></ul>
<b>Setiap Tahun</b>
<ul style="list-style-type: none"><li>Gantikan palam pencucuh.</li><li>Gantikan penapis udara.</li><li>Gantikan prapembersih.</li><li>Gantikan penapis bahan api.</li><li>Servis sistem penyejukan<sup>1</sup>.</li><li>Periksa ruang lega injap<sup>5</sup>.</li></ul>

<sup>1</sup> Hanya enjin tanpa penapis minyak.

<sup>2</sup> Bersihkan dengan lebih kerap dalam keadaan berdebu atau apabila terdapat banyak partikel di udara.

<sup>3</sup> Enjin tanpa penapis minyak atau dengan penapis minyak hitam standard. Lihat bahagian *Spesifikasi* untuk nombor alat ganti.

<sup>4</sup> Enjin dengan penapis minyak kuning atau oren yang berkecekapan tinggi. Lihat bahagian *Spesifikasi* untuk nombor alat ganti.

<sup>5</sup> Tidak diperlukan melainkan jika masalah prestasi enjin berlaku.

## Sistem Pengurusan Bahan Api Elektronik

Sistem Pengurusan Bahan Api Elektronik memantau suhu enjin, kelajuan enjin, dan voltan bateri untuk melaraskan pencekik semasa enjin dimulakan dan dipanaskan. Tiada pelarasan dilakukan pada sistem. Jika masalah pemulaan atau operasi berlaku, hubungi Pengekar Servis Sah Briggs & Stratton.

**NOTIS** Pastikan anda mematuhi peraturan di bawah, jika tidak, Sistem Pengurusan Bahan Api Elektronik boleh rosak.

- JANGAN mulakan enjin jika kabel bateri longgar.
- Sebelum anda menyambungkan kabel jumper, atau mencabut atau menyambung semula kabel bateri, pusing suis pencucuhan ke posisi MATI. Apabila anda mengemas bateri, pusing suis pencucuhan ke posisi MATI.
- Apabila anda memutuskan sambungan kabel bateri daripada bateri, putuskan sambungan kabel negatif (-), kemudian putuskan sambungan kabel positif (+) kepada bateri. Apabila anda menyambungkan kabel bateri, sambungkan kabel positif (+), kemudian sambungkan kabel negatif (-) kepada bateri.
- JANGAN gunakan pengecas bateri untuk memulakan enjin.
- JANGAN putuskan sambungan kabel bateri semasa enjin beroperasi.
- JANGAN sembur air secara terus pada Unit Kawalan Elektronik.

## Karburetor dan Kelajuan Enjin

Jangan buat pelarasan kepada karburetor atau kelajuan enjin. Karburetor telah ditetapkan di kilang untuk beroperasi dengan memuaskan dalam kebanyakan keadaan. Jangan ubah pegas pengawal imbang, rangkaian, atau bahagian lain untuk melaraskan kelajuan enjin. Jika pelarasan diperlukan, hubungi Pengekar Servis Sah Briggs & Stratton untuk servis.

## NOTIS

Pengeluar peralatan menetapkan kelajuan maksimum untuk enjin yang terpasang pada peralatan itu. Jangan melebihi kelajuan ini. Jika anda tidak pasti tentang kelajuan maksimum peralatan tersebut atau kelajuan enjin yang telah ditetapkan di kilang, hubungi Pengekar Servis Sah Briggs & Stratton untuk bantuan. Untuk operasi peralatan yang selamat dan betul, kelajuan enjin hendaklah hanya dilaraskan oleh juruteknik servis yang bertauliah.

## Menservis Palam Pencucuh

Periksa jarak palam pencucuh (A, Rajah 7) dengan tolok dawai (B). Jika perlu, tetapkan jarak palam pencucuh. Pasang dan ketatkan palam pencucuh kepada tork yang betul. Bagi spesifikasi sela atau tork, rujuk bahagian *Spesifikasi*.

## Menservis Sistem Ekzos dan Penyejukan



### AMARAN

**Semasa operasi, enjin dan peredam bunyi menjadi panas. Jika anda menyentuh enjin panas, lecuran terma boleh berlaku.**

**Bahan mudah terbakar, seperti daun, rumput dan belukar, boleh terbakar.**

- Sebelum anda menyentuh enjin atau peredam bunyi, hentikan enjin dan tunggu dua (2) minit. Pastikan enjin dan peredam bunyi selamat untuk disentuh.
- Buang serpihan daripada peredam bunyi dan enjin.

Penggunaan atau pengendalian enjin di atas mana-mana tanah yang diliputi hutan, diliputi belukar atau diliputi rumput merupakan satu pelanggaran California Public Resource Code, Seksyen 4442, melainkan jika sistem ekzos dilengkapi dengan penangkap percikan api yang diselenggarakan supaya berfungsi dengan berkesan, seperti yang ditakrifkan dalam seksyen 4442. Negeri atau bidang kuasa persekutuan lain mungkin mempunyai undang-undang yang serupa; rujuk Peraturan Persekutuan 36 CFR Bahagian 261.52. Hubungi pengeluar peralatan asal, peruncit, atau peniaga bagi mendapatkan perangkap percikan yang direka untuk sistem ekzos yang dipasang pada enjin ini.

Ini ialah enjin yang disejukkan oleh udara. Kotoran atau bahan yang tidak diinginkan boleh menghalang aliran udara dan menyebabkan enjin menjadi terlalu panas. Keadaan ini membawa kepada prestasi yang tidak memuaskan dan pengurangan jangka hayat enjin. Sirip penyejuk silinder boleh mengumpul bahan-bahan yang tidak diinginkan yang tidak boleh dikeluarkan tanpa pemisahan bahagian enjin secara separa. Pastikan Pengekar Servis yang Sah Briggs & Stratton memeriksa dan membersihkan sistem penyejukan udara. Rujuk *Jadual Penyelenggaraan*.

- Pastikan tiada bahan-bahan mudah terbakar di sekitar dan di belakang peredam bunyi.
- Gunakan brus dan kain kering untuk mengeluarkan semua bahan yang tidak diinginkan daripada kawasan penutup perumah penghembus, peredam bunyi dan silinder. JANGAN gunakan air untuk membersihkan enjin.
- Pastikan sambungan, pegas dan kawalan bersih.
- Periksa peredam bunyi untuk mengesan retakan, kakisan, atau kerosakan lain.
- Tanggalkan pemesong atau penangkap percikan api, jika dipasang, dan periksa sebarang kerosakan atau karbon tersumbat. Pastikan anda membersihkan atau memasang alat ganti sebelum anda mengendalikan peralatan.

## Menukar Minyak Enjin



### AMARAN

**Bahan api dan wapnya adalah mudah terbakar dan mudah meletup. Kebakaran atau letupan boleh menyebabkan luka terbakar atau kematian.**

**Semasa operasi, enjin dan peredam bunyi menjadi panas. Jika anda menyentuh enjin panas, lecuran terma boleh berlaku.**

- Jika anda menyalirkan minyak dari tiub pengisi minyak atas, tangki bahan api mesti kosong. Jika tangki tidak kosong, kebocoran bahan api boleh berlaku dan menyebabkan kebakaran atau letupan.
- Sebelum anda menyentuh enjin atau peredam bunyi, hentikan enjin dan tunggu dua (2) minit. Pastikan enjin dan peredam bunyi selamat untuk disentuh.

Minyak terpakai ialah produk sisa berbahaya dan mesti dibuang dengan betul. Jangan buang bersama dengan sisa buangan isi rumah. Hubungi pihak berkuasa tempatan, pusat servis, atau wakil pengekar anda untuk kemudahan pelupusan atau kitar semula yang selamat.

## Keluarkan Minyak

- Dengan enjin dimatikan (OFF) tetapi panas, putuskan sambungan wayar palam pencucuh (D, Rajah 8), dan jauhkannya daripada palam pencucuh (E).
- Tarik keluar batang celup (A, Rajah 9).

## Palam Salir Minyak, jika dipasang

- Tanggalkan palam salir minyak (F, Rajah 10). Salirkan minyak ke dalam bekas yang diluluskan.

**NOTA:** Palam salir minyak (G, Rajah 10) boleh dipasang di dalam enjin.

2. Selepas minyak selesai disalir keluar, pasang dan ketatkan palam salir minyak (F, Rajah 10).

### Saliran Minyak Pantas, jika dipasang

1. Putuskan sambungan hos saliran minyak pantas (H, Rajah 11) dari tepi enjin.
2. Pusing dan tanggalkan tudung saliran minyak (I, Rajah 11). Turunkan saliran minyak pantas (H) dengan berhati-hati ke dalam bekas yang diluluskan (J).
3. Selepas minyak disalirkan, pasang tudung saliran minyak pantas (I, Rajah 11). Pasang hos saliran minyak pantas (H) ke tepi enjin.

### Tukar Penapis Minyak

1. Salirkan minyak daripada enjin. Rujuk bahagian **Keluarkan Minyak**.
2. Tanggalkan penapis minyak (H, Rajah 12) dan buang dengan betul.
3. Sebelum anda memasang penapis minyak baharu, lincirkan sedikit gasket penapis minyak dengan minyak yang bersih.
4. Pasang penapis minyak dengan tangan sehingga gasket bersentuh dengan penyesuai penapis minyak, kemudian ketatkan penapis minyak sebanyak 1/2 hingga 3/4 pusingan.
5. Tambah minyak. Rujuk bahagian **Tambah Minyak**.
6. Mulakan dan kendalikan enjin. Apabila enjin panas, periksa sama ada kebocoran minyak.
7. Hentikan enjin. Pastikan aras minyak berada di atas penunjuk penuh pada batang celup. Rujuk bahagian **Tambah Minyak**.

### Tambah Minyak

- Pastikan kedudukan enjin sama paras.
  - Bersihkan kawasan isian minyak daripada semua serpihan.
  - Rujuk bahagian **Spesifikasi** untuk kapasiti minyak.
1. Tarik keluar batang celup (A, Rajah 4). Keluarkan minyak daripada batang celup dengan kain bersih.
  2. Tambah minyak perlahan-lahan ke dalam pengisi minyak enjin (C, Rajah 4). **Jangan masukkan terlalu banyak minyak ke dalam isian minyak enjin.** Tunggu satu minit dan kemudian periksa paras minyak.

**NOTA:** Jangan tambah minyak di saliran minyak pantas, jika dilengkap.

3. Pasang dan ketatkan batang celup (A, Rajah 4).
4. Tarik keluar batang celup dan periksa aras minyak. Paras minyak yang betul adalah di atas penunjuk penuh (B, Rajah 4) pada batang celup.
5. Pasang dan ketatkan batang celup (A, Rajah 4).
6. Sambungkan wayar palam pencucuh kepada palam pencucuh. Lihat bahagian **Keluarkan Minyak**.

### Menservis Penapis Udara

#### AMARAN

**Wap bahan api adalah mudah terbakar dan mudah meletup. Kebakaran atau letupan boleh menyebabkan luka terbakar atau kematian.**

- Jangan mulakan dan kendalikan enjin dengan pemasangan pembersih udara (jika dilengkap) atau penapis udara (jika dilengkap) ditanggalkan.

#### NOTIS

Jangan gunakan udara bertekanan atau pelarut untuk membersihkan penapis. Udara bertekanan boleh menyebabkan kerosakan kepada penapis dan pelarut akan melarutkan penapis.

Lihat **Jadual Penyelenggaraan** untuk keperluan servis.

Model berbeza akan menggunakan penapis busa atau kertas. Sesetengah model mungkin juga mempunyai prapembersih opsional yang boleh dicuci dan digunakan semula. Bandingkan ilustrasi dalam manual ini dengan jenis yang dipasang pada enjin anda dan servis seperti berikut.

### Penapis Udara Kertas

1. Tarik ke atas pada pemegang penutup (A, Rajah 13). Pusing pemegang penutup dalam arah enjin, dan kemudian tanggalkan penutup (B).
2. Tanggalkan prapembersih (C, Rajah 13), jika dipasang, dan penapis (D).
3. Untuk melonggarkan bahan yang tidak diinginkan, ketuk penapis dengan perlahan (D, Rajah 13) pada permukaan yang keras. Jika penapis kotor, gantikannya dengan penapis baharu.
4. Basuh prapembersih (C, Rajah 13), di dalam detergen cecair dan air. Biarkan prapembersih (C) kering sepenuhnya di udara. **JANGAN** lincirkan prapembersih.
5. Pasang prapembersih (C, Rajah 13) dan penapis (D) ke tapak enjin (E).

6. Jajarkan tab (F, Rajah 13) pada penutup (B) dengan slot (G) dalam perumah penghembus.
7. Pusing pemegang penutup (A, Rajah 13) kembali dan tekan untuk menguncinya dengan kemas.

### Penapis Udara Kertas

1. Longgarkan pengikat (A, Rajah 14).
2. Tanggalkan penutup (B, Rajah 14).
3. Untuk menanggalkan penapis (C, Rajah 14), angkat hujung penapis, dan kemudian tarik keluar penapis dari salur masuk (D).
4. Untuk melonggarkan bahan yang tidak diinginkan, ketuk penapis dengan perlahan (D, Rajah 14) pada permukaan yang keras. Jika penapis kotor, gantikannya dengan penapis baharu.
5. Tanggalkan prapembersih (E, Rajah 14), jika dipasang, dari penapis (C).
6. Basuh prapembersih (E, Rajah 14), di dalam detergen cecair dan air. Biarkan prapembersih kering sepenuhnya di udara. **JANGAN** lincirkan prapembersih.
7. Pasang prapembersih yang kering (E, Rajah 14), jika dipasang, ke penapis (C).
8. Pasang penapis (C, Rajah 14) ke atas salur masuk (D). Tekan hujung penapis ke dalam tapak enjin. Pastikan penapis ketat pada tapak enjin.
9. Pasang penutup penapis udara (B, Rajah 14) dan lekatkan dengan pengikat

### Menservis Sistem Bahan Api

#### AMARAN

**Bahan api dan wapnya adalah mudah terbakar dan mudah meletup. Kebakaran atau letupan boleh menyebabkan luka terbakar atau kematian.**

- Simpan bahan api jauh dari percikan api, nyalaan terbuka, lampu ujian, haba dan sumber penyalaan lain.
- Periksa saluran bahan api, tangki bahan api, tutup bahan api, dan sambungan dengan kerap untuk mengesan retakan atau bocoran. Gantikan bahagian yang rosak.
- Jika bahan api tumpah, tunggu sehingga ia kering sebelum anda memulakan enjin.

### Penapis Bahan Api, jika dipasang

1. Sebelum anda menggantikan penapis bahan api (A, Rajah 15), salirkan tangki bahan api atau tutup injap penyekat bahan api. Jika tangki bahan api tidak disalirkan, kebocoran bahan api boleh berlaku dan menyebabkan kebakaran atau letupan.
2. Picit tab (B, Rajah 15) pada pengapit (C) dengan playar. Gerakkan pengapit jauh dari penapis bahan api (A).
3. Pulas dan tarik talian bahan api (D, 15) dari penapis bahan api.
4. Periksa saluran bahan api (D, Rajah 15) untuk mengesan retakan atau bocoran. Jika perlu, gantikan talian bahan api.
5. Gantikan penapis bahan api (A, Rajah 15).
6. Lekatkan saluran bahan api (D, Rajah 15) dengan pengapit (C).

### Penapis Bahan Api, jika dipasang

1. Tanggalkan penutup bahan api (A, Rajah 16).
2. Tanggalkan penyaring bahan api (B, Rajah 16).
3. Jika penuras bahan api kotor, bersihkan atau ganti. Jika anda mengganti penyaring bahan api, pastikan menggunakan alat penggantian penyaring bahan api yang original.

### Penyimpanan Sistem Bahan Api

Rujuk Rajah: 17.

#### AMARAN

**Bahan api dan wapnya adalah mudah terbakar dan mudah meletup. Kebakaran atau letupan boleh menyebabkan luka terbakar atau kematian.**

#### Penyimpanan Bahan Api

- Memandangkan api pandu atau punca nyalaan lain boleh menyebabkan letupan, simpan bahan api atau peralatan jauh dari relau, dapur, pemanas air atau perkakas lain yang mempunyai api pandu.

Pastikan enjin berada pada kedudukan rata (posisi operasi biasa). Isi tangki bahan api (A, Rajah 17) dengan bahan api. Untuk pengembangan bahan api, jangan isi bahan api melebihi bahagian leher tangki bahan api (B).

Bahan api boleh menjadi tidak elok apabila disimpan dalam bekas penyimpanan selama lebih daripada 30 hari. Penggunaan penstabil bahan api bebas alkohol dan rawatan

etanol dalam bekas penyimpanan bahan api disyorkan untuk mengelakkan degradasi bahan api dan memastikan bahan api kekal segar.

Apabila anda mengisi bekas bahan api dengan bahan api, tambah penstabil bahan api bebas alkohol seperti yang ditetapkan dalam arahan pengeluaran. Jika petrol dalam enjin tidak dirawat dengan penstabil bahan api, ia mesti disalurkan ke dalam bekas yang diluluskan. Kendalikan enjin sehingga ia kehabisan bahan api.

## Minyak Enjin

Semasa enjin masih panas, tukar minyak enjin. Rujuk bahagian **Tukar Minyak Enjin**.

## Penyelesaian Masalah

### Bantuan

Untuk bantuan, hubungi wakil pengedar setempat anda atau pergi ke **BRIGGSandSTRATTON.COM** atau hubungi **1-800-444-7774** (di AS).

## Spesifikasi dan Alat Ganti Servis

Spesifikasi	Model: 210000	Model: 310000
Sesaran	21.01 ci (344 cc)	30.59 ci (501 cc)
Gerek	3.437 in (87,30 mm)	3.563 in (90,49 mm)
Lejang	2.264 in (57,51 mm)	3.062 in (77,77 mm)
Kapasiti Minyak – tanpa penapis	42 - 44 oz (1,24 - 1,30 L)	42 - 44 oz (1,24 - 1,30 L)
Kapasiti Minyak – dengan penapis	46 - 48 oz (1,36 - 1,40 L)	46 - 48 oz (1,36 - 1,40 L)
Jarak Palam Pencucuh	.030 in (.76 mm)	.030 in (.76 mm)
Kilas Palam Pencucuh	180 lb-in (20 Nm)	180 lb-in (20 Nm)
Sela Udara Armatur	0.010 - 0.014 in (0,25 - 0,36 mm)	0.010 - 0.014 in (0,25 - 0,36 mm)
Kelegaan Injap Pengambilan	0.003 - .005 in (0,08 - 0,13 mm)	0.003 - .005 in (0,08 - 0,13 mm)
Kelegaan Injap Ekzos	0.005 - 0.007 in (0,13 - 0,18 mm)	0.005 - 0.007 in (0,13 - 0,18 mm)

### Alat Ganti Servis

Untuk membeli alat ganti servis Briggs & Stratton, cari Pengedar Servis yang Sah di **BRIGGSandSTRATTON.COM**. Anda akan memerlukan nombor pengenalan anda (model - jenis - trim). Rujuk bahagian **Ciri-ciri dan Kawalan** untuk mencari nombor pengenalan enjin anda.



## Penarafan Kuasa

Pengadaran kuasa kasar bagi model enjin gasolin individu dilabelkan menurut SAE (Pertubuhan Jurutera Automotif) kod J1940 Prosedur Penarafan Kuasa & Tork Enjin Kecil, dan dikadarkan menurut SAE J1995. Nilai tork diperoleh pada 2600 RPM untuk enjin dengan "rpm" yang dinyatakan pada label dan 3060 RPM untuk semua yang lain; nilai kuasa kuda diperoleh pada 3600 RPM. Keluk kuasa kasar boleh dilihat di **www.BRIGGSandSTRATTON.COM**. Nilai kuasa bersih diambil dengan ekzos dan pembersih udara dipasang manakala nilai kuasa kasar dikumpul tanpa alat tambahan ini. Kuasa enjin kasar sebenar akan lebih tinggi daripada kuasa enjin bersih dan dipengaruhi oleh, antara lain, keadaan operasi sekitar dan kepelbagaian enjin ke enjin. Memandangkan terdapat pelbagai produk di tempat enjin diletakkan, enjin gasolin mungkin tidak menghasilkan kuasa kasar terkadar apabila digunakan dalam peralatan kuasa tertentu. Perbezaan ini adalah disebabkan oleh pelbagai faktor termasuk, tetapi tidak terhad kepada, pelbagai komponen enjin (pembersih udara, ekzos, pengecasan, penyeyjukan, karburetor, pam bahan api, dll), had penggunaan, keadaan operasi ambien (suhu, kelembapan, altitud), dan kepelbagaian enjin ke enjin. Disebabkan oleh pembatasan pengilangan dan kapasiti, Briggs & Stratton boleh menggantikan enjin yang mempunyai nilai kuasa yang lebih tinggi untuk enjin ini.

## Waranti

### Waranti Enjin Briggs & Stratton®

Berkuat Kuasa Ogos 2022

#### Waranti Terhadap

Briggs & Stratton menjamin bahawa, dalam tempoh waranti yang dinyatakan di bawah, ia akan membaiki atau menggantikan, secara percuma, mana-mana bahagian yang rosak pada bahan atau mutu kerja atau kedua-duanya, dengan bahagian yang baharu, dibaik pulih atau dikilangkan semula, menurut budi bicara Briggs & Stratton semata-mata. Caj pengangkutan terhadap produk yang diserahkan untuk pembaikan atau penggantian di bawah waranti ini perlu ditanggung oleh pembeli. Waranti ini berkuat kuasa bagi dan tertakluk pada tempoh masa dan syarat yang dinyatakan di bawah. Untuk servis waranti, cari Peniaga Servis Berdaftar yang terdekat

dalam peta pengesan peniaga kami di **BRIGGSandSTRATTON.COM**. Pembeli mesti menghubungi Peniaga Servis Berdaftar, dan kemudian menyerahkan produk kepada Peniaga Servis Berdaftar untuk pemeriksaan dan ujian.

**Tiada waranti tersurat yang lain. Waranti tersirat, termasuk yang berkaitan dengan kebolehdagangan dan kesesuaian bagi tujuan tertentu, adalah terhad kepada satu tahun dari tarikh pembelian, atau setakat yang dibenarkan oleh undang-undang. Semua jaminan tersirat lain dikecualikan. Liabiliti bagi kerosakan sampingan atau terbangkit dikecualikan setakat pengecualian yang dibenarkan oleh undang-undang.** Sesetengah negeri atau negara tidak membenarkan had terhadap berapa lama waranti tersirat berlangsung, dan sesetengah negeri atau negara tidak membenarkan pengecualian atau had kerosakan sampingan atau terbangkit, maka had dan pengecualian di atas mungkin tidak dikenakan kepada anda. Waranti ini memberi anda hak undang-undang yang tertentu dan anda mungkin juga mempunyai hak lain yang berbeza-beza mengikut negeri dan negara.

Terma Waranti Standard <sup>1, 2</sup>
<b>Vanguard®; Siri Komersial</b>
Kegunaan Pengguna - 36 bulan
Kegunaan Komersial - 36 bulan
<b>Siri XR</b>
Kegunaan Konsumer - 24 bulan
Kegunaan Komersial - 24 bulan
<b>Semua Enjin Lain yang Menampilkan Sarung Besi Tuang Dura-Bore™</b>
Kegunaan Konsumer - 24 bulan
Kegunaan Komersial - 12 bulan
<b>Semua Enjin Lain</b>
Kegunaan Konsumer - 24 bulan
Kegunaan Komersial - 3 bulan

<sup>1</sup> Ini ialah terma waranti standard kami, tetapi ada ketikanya mungkin terdapat perlindungan waranti tambahan yang tidak ditentukan pada masa penerbitan. Untuk senarai terma waranti semasa bagi enjin anda, pergi ke **BRIGGSandSTRATTON.COM** atau hubungi Peniaga Servis Berdaftar Briggs & Stratton anda.

<sup>2</sup> Tiada waranti untuk enjin pada peralatan yang digunakan untuk kuasa utama menggantikan utiliti; penjana tunggu sedia yang digunakan bagi tujuan komersial, kenderaan utiliti yang melebihi 25 MPH, atau enjin yang digunakan dalam perlumbaan kompetitif atau di trek komersial atau sewaan.

\* Di Australia – Barangan kami didatangkan dengan jaminan yang tidak boleh dikecualikan di bawah Undang-Undang Pengguna Australia. Anda berhak untuk mendapatkan gantian atau bayaran balik bagi kegagalan yang besar dan untuk pampasan bagi sebarang kerugian atau kerosakan boleh diramalkan secara munasabah. Anda juga berhak untuk memastikan barangan dibaiki atau diganti jika barangan tersebut gagal menepati kualiti yang boleh diterima dan kegagalan ini bukan merupakan satu kegagalan yang besar. Untuk servis waranti, cari Peniaga Servis Berdaftar yang terdekat dalam peta pengesan peniaga kami di **BRIGGSandSTRATTON.COM**, atau dengan menghubungi 1300 274 447, atau dengan menghantar e-mel atau menulis surat kepada [salesenquiries@briggsandstratton.com.au](mailto:salesenquiries@briggsandstratton.com.au), Briggs & Stratton Australia Pty Ltd, 1 Moorebank Avenue, Moorebank, NSW, Australia, 2170.

Tempoh jaminan bermula pada tarikh pembelian oleh pengguna runcit pertama, dan berterusan untuk tempoh masa yang dinyatakan di atas. "Penggunaan Pengguna" bermaksud kegunaan isi rumah kediaman peribadi oleh seorang pengguna runcit. "Penggunaan Komersial" bermakna semua kegunaan lain, termasuk penggunaan untuk tujuan komersial, yang menghasilkan pendapatan atau sewa. Apabila enjin telah mengalami kegunaan komersial, ia akan selepas itu, dianggap sebagai sebuah enjin untuk kegunaan komersial bagi tujuan waranti ini.

**Tiada pendaftaran jaminan diperlukan untuk mendapatkan jaminan terhadap produk Briggs & Stratton. Simpan resit bukti pembelian anda. Jika anda tidak memberikan bukti tarikh pembelian awal pada waktu servis waranti diminta, tarikh pengilangan produk akan digunakan untuk menentukan tempoh waranti.**

#### Perihal Waranti Anda

Waranti terhadap ini meliputi bahan berkaitan enjin dan/atau isu-isu mutu kerja sahaja dan tidak meliputi penggantian atau bayaran balik bagi peralatan yang mungkin digunakan untuk menempatkan enjin. Penyelenggaraan rutin, penalaan, pelarasan atau haus dan lusuh yang lazim tidak diliputi di bawah waranti ini. Demikian juga, waranti ini tidak terpakai sekiranya enjin telah diubah atau diubah suai atau jika nombor siri enjin telah dirosakkan atau dibuang. Waranti ini tidak meliputi kerosakan enjin atau masalah prestasi yang disebabkan oleh:

1. Penggunaan bahagian-bahagian yang bukan Briggs & Stratton
2. Pengendalian enjin dengan minyak pelincir yang tidak mencukupi, tercemar atau mempunyai gred yang salah;

3. Penggunaan bahan api yang tercemar atau lama, petrol yang diformulasikan dengan etanol melebihi 10%, atau penggunaan bahan api alternatif seperti petroleum cecair atau gas asli pada enjin yang asalnya tidak direka/dikilangkan oleh Briggs & Stratton untuk beroperasi dengan bahan api seperti itu;
4. Kotoran yang memasuki enjin kerana penyelenggaraan atau pemasangan semula pembersih udara yang tidak betul;
5. Pemukulan objek dengan bilah pemotong bagi pemotong rumput berputar, penyesuai bilah, impeler atau alat terganding aci engkol lain yang dipasang dengan longgar atau tidak betul, atau keketatan tali sawat V yang berlebihan;
6. Bahagian-bahagian atau himpunan yang berkaitan seperti klac, transmisi, Briggs & Stratton
7. Pemanasan lampau yang disebabkan oleh keratan rumput, kotoran dan serpihan, atau sarang rodensia yang menghalang atau menyumbat sirip penyejuk atau kawasan roda tenaga, atau dengan mengendalikan enjin tanpa pengudaraan yang mencukupi;
8. Gegaran yang berlebihan disebabkan oleh kelajuan berlebihan, pemasangan enjin yang longgar, bilah pemotong atau impeler yang longgar atau tidak seimbang, atau gandingan komponen peralatan yang tidak betul kepada aci engkol;
9. Penyalahgunaan, kekurangan penyelenggaraan rutin, penghantaran, pengendalian atau penggantian peralatan, atau pemasangan enjin yang tidak betul.

Servis waranti hanya boleh didapati melalui Pengedar Servis Sah Briggs & Stratton. Cari Pengedar Servis yang Sah di lokasi yang berhampiran dengan anda dalam peta carian pengedar kami di [BRIGGSandSTRATTON.COM](http://BRIGGSandSTRATTON.COM) atau dengan menelefon 1-800-444-7774 (di AS).

80114782 (Semakan A)

Not for  
Reproduction

## ข้อมูลทั่วไป



คู่มือนี้ไม่มีข้อมูลด้านความปลอดภัยเกี่ยวกับอันตรายและความเสี่ยงที่เกี่ยวข้องกับเครื่องยนต์และวิธีการป้องกันอันตรายและความเสี่ยงเหล่านั้น นอกจากนี้ยังมีการใช้งานและการบำรุงรักษาเครื่องยนต์นี้ที่ถูกต้อง เป็นสิ่งสำคัญที่คุณอ่าน ทำความเข้าใจและปฏิบัติตามคำแนะนำเหล่านี้ เก็บรักษาคู่มือนี้สำหรับการอ้างอิงในอนาคต

**หมายเหตุ:** รูปและภาพประกอบต่าง ๆ ในคู่มือนี้สำหรับเป็นข้อมูลเท่านั้น ซึ่งอาจแตกต่างกันไปจากรุ่นของคุณ ใช้รูปที่สอดคล้องกับการกำหนดค่าเครื่องยนต์ของคุณ หากจำเป็น ให้ปรึกษาผู้ให้บริการที่ได้รับอนุญาต

ให้บันทึกวันที่ซื้อ รุ่นเครื่องยนต์ ประเภทเครื่องยนต์ การตกแต่ง และเลขรหัสเครื่องยนต์สำหรับอะไหล่ ตัวเลขเหล่านี้อยู่บนเครื่องยนต์ของคุณ โปรดดูที่หัวข้อคุณสมบัติและการควบคุม

วันที่ซื้อ	
รุ่นเครื่องยนต์ - ประเภท - การตกแต่ง	
หมายเลขประจำเครื่องยนต์	

## ข้อมูลติดต่อสำนักงานประจำภูมิภาคยุโรป

หากมีข้อสงสัยเกี่ยวกับการปล่อยมลพิษของยุโรป โปรดติดต่อสำนักงานประจำภูมิภาคยุโรปของเราที่:

id="European\_Contact\_Info"Max-Born-Straße 2, 68519 Viernheim, Germany

## สหภาพยุโรป (EU) ระยะ V (5): ค่าคาร์บอนไดออกไซด์ (CO2)

ใส่ CO2 ในหน้าต่างค้นหาที่ BriggsandStratton.com เพื่อค้นหาค่าของคาร์บอนไดออกไซด์ของเครื่องยนต์ตามใบรับรองการอนุมัติชนิด EU ของ Briggs & Stratton

## ความปลอดภัยของผู้ปฏิบัติงาน

### สัญลักษณ์แจ้งเตือนเกี่ยวกับความปลอดภัยและคำเตือนสัญญาณ

สัญลักษณ์แจ้งเตือนความปลอดภัย ระบุข้อมูลด้านความปลอดภัยเกี่ยวกับอันตรายที่สามารถทำให้ได้รับบาดเจ็บต่อบุคคลได้ คำสัญญาณ (**อันตราย คำเตือน หรือ ข้อควรระวัง**) ถูกใช้เพื่อบอกถึงระดับความรุนแรงของการได้รับบาดเจ็บที่มีความน่าจะเป็นและมีความเป็นไปได้ นอกจากนี้ สัญลักษณ์แจ้งเตือนอันตรายยังอาจใช้เพื่อแสดงประเภทของอันตรายอีกด้วย

**อันตราย** บ่งบอกถึงอันตราย ซึ่งหากไม่หลีกเลี่ยง จะส่งผลให้เกิดการเสียชีวิตหรือได้รับบาดเจ็บสาหัสได้

**คำเตือน** บ่งบอกถึงอันตราย ซึ่งหากไม่หลีกเลี่ยง อาจส่งผลให้เกิดการเสียชีวิตหรือการบาดเจ็บสาหัสได้

**ข้อควรระวัง** บ่งบอกถึงอันตรายซึ่งหากไม่หลีกเลี่ยง อาจส่งผลให้เกิดการบาดเจ็บเล็กน้อยหรือปานกลางได้

**ข้อสังเกต** บ่งชี้ถึงข้อมูลที่สำคัญ แต่ไม่เกี่ยวข้องกับอันตราย

### สัญลักษณ์ความปลอดภัยและความหมาย

	ข้อมูลความปลอดภัยเกี่ยวกับอันตรายที่อาจทำให้เกิดการบาดเจ็บส่วนบุคคล		อ่านและทำความเข้าใจคู่มือการใช้งานสำหรับผู้ปฏิบัติงานก่อนใช้งานหรือการบริการ
	อันตรายจากเพลิงไหม้		อันตรายจากการระเบิด
	อันตรายจากการลัดวงจร		อันตรายจากควันทพิษ
	อันตรายจากพื้นผิวร้อน		อันตรายจากการสะท้อนกลับ
	อันตรายจากการถูกตัด - ส่วนที่เคลื่อนที่ได้		ระดับน้ำมัน - สูงสุด อย่าเติมน้ำมันจนล้น

## ข้อความเกี่ยวกับความปลอดภัย



เครื่องยนต์ของ Briggs & Stratton® ไม่ได้รับการออกแบบมาเพื่อใช้เพื่อขับเคลื่อน ฟันควอร์ท โกคาร์ท สินค้าสำหรับเด็ก หรือพาหนะสปอร์ตสำหรับทุกสภาพผิว (ATV) จักรยานยนต์ ไฮเวอร์คราฟท์ ผลิตภัณฑ์อากาศยาน หรือพาหนะที่ใช้ในการจัดการแข่งขันที่ไม่ได้รับการอนุมัติจาก Briggs & Stratton สามารถขอข้อมูลที่เกี่ยวกับผลิตภัณฑ์ที่ใช้ในการแข่งได้ที่ [www.briggsracing.com](http://www.briggsracing.com) สำหรับการไ้ใช้กับรถเอทีวีแบบเนกประสงค์และแบบนั่งคู่ โปรดติดต่อศูนย์ปฏิบัติการเครื่องยนต์ Briggs & Stratton ที่หมายเลข 1-866-927-3349 การใช้งานเครื่องยนต์ที่ไม่ถูกต้องอาจส่งผลให้ได้รับบาดเจ็บร้ายแรงหรือเสียชีวิตได้

## ข้อมูลการนำกลับมาหมุนเวียนใช้ใหม่

		รีไซเคิลกล่องกระดาษน้ำมันใช้แล้วและแบตเตอรี่ทั้งหมดตามที่กำหนดโดยกฎระเบียบของรัฐบาล
--	--	---

## คุณสมบัติและการควบคุม

### การควบคุมเครื่องยนต์

ท่อไอเสียแบบเก็บเสียง, การดบป้องกันท่อไอเสียแบบเก็บเสียง (หากติดตั้ง), ที่ดักสะเก็ดไฟ (หากติดตั้ง)

- หมายเลขประจำเครื่องยนต์ รุ่น - ประเภท - รหัส
- หัวเทียน
- เครื่องฟอกอากาศ
- ที่จับสายไฟสตาร์ทเตอร์ (หากติดตั้ง)
- ก้านวัดน้ำมัน
- ปลั๊กระบายน้ำมัน
- ท่อไอเสียแบบเก็บเสียง, การดบป้องกันท่อไอเสียแบบเก็บเสียง (หากติดตั้ง), ที่ดักสะเก็ดไฟ (หากติดตั้ง)
- ฝาครอบตัวเครื่องเป่า
- ตัวกรองน้ำมัน (หากติดตั้ง)
- สตาร์ทเตอร์ไฟฟ้า (หากติดตั้ง)
- คาร์บูเรเตอร์
- ตัวกรองน้ำมันเชื้อเพลิง (หากติดตั้ง)
- ปั้มน้ำมัน (หากติดตั้ง)
- วาล์วระบายน้ำมันอย่างรวดเร็ว (หากติดตั้ง)
- หน่วยควบคุมอิเล็กทรอนิกส์ (หากติดตั้ง)

### สัญลักษณ์การควบคุมเครื่องยนต์และความหมาย

	ความเร็วรอบเครื่องยนต์ - เร็ว		ความเร็วรอบเครื่องยนต์ - ต่ำ
	ความเร็วรอบเครื่องยนต์ - หยุด		เปิด - ปิด
	เครื่องยนต์สตาร์ท โซ๊ค ปิด		เครื่องยนต์สตาร์ท โซ๊ค เปิด
	ฝาปิดน้ำมันเชื้อเพลิง อุปกรณ์ตัดน้ำมันเชื้อเพลิง ปิด		อุปกรณ์ตัดน้ำมันเชื้อเพลิง ปิด



## การทำงาน



**เตือน** ไร้อะไหล่ของน้ำมันเชื้อเพลิงมีลักษณะไวไฟและเกิดการระเบิดได้ ไฟหรือการระเบิดอาจทำให้เกิดแผลไหม้หรือเสียชีวิตได้

### หากคุณได้กลิ่นก๊าซ

- ห้ามสตาร์ทเครื่องยนต์
- อย่าเปิดสวิตช์ไฟฟ้า
- ห้ามใช้โทรศัพท์ในบริเวณใกล้เคียง
- ออกจากพื้นที่
- ติดต่อสำนักงานดับเพลิง

### เมื่อคุณใช้งานอุปกรณ์

- ห้ามเอียงเครื่องยนต์หรืออุปกรณ์ในมุมที่อาจทำให้น้ำมันเชื้อเพลิงกระเด็น

### เมื่อคุณย้ายตำแหน่งของอุปกรณ์

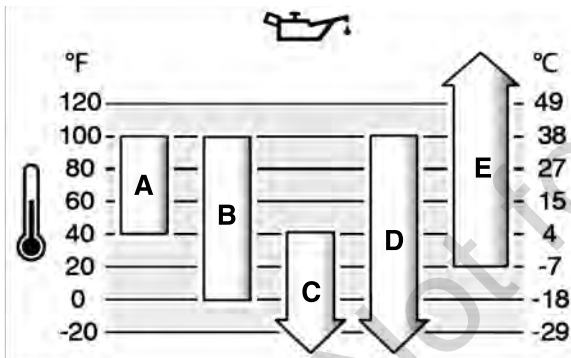
- ตรวจสอบให้แน่ใจว่าถังน้ำมันเชื้อเพลิงว่างเปล่าหรือวาล์วปิดถังน้ำมันเชื้อเพลิง (หากติดตั้ง) อยู่ในตำแหน่งปิด

## ข้อแนะนำด้านน้ำมัน

**ความจุน้ำมัน:** โปรดดูที่หัวข้อข้อมูลจำเพาะ

เราแนะนำให้ใช้น้ำมันที่ได้รับการรับรองการรับประกันจาก Briggs & Stratton® เพื่อให้ได้สมรรถนะที่ดีที่สุด สามารถใช้น้ำมันเชื้อเพลิงคุณภาพสูงแบบอื่นได้ หากจัดอยู่ในกลุ่มการใช้งาน SF, SG, SH, SJ หรือสูงกว่า ห้ามใช้สารเติมแต่งพิเศษใด ๆ

ใช้แผนภูมิเพื่อเลือกความหนืดที่เหมาะสมที่สุดสำหรับช่วงอุณหภูมิภายนอกที่คาดไว้ เครื่องยนต์ของอุปกรณ์กลางแจ้งที่ทำงานหนักที่สุดจะทำงานได้ดีกับ น้ำมันสังเคราะห์ 5W-30 สำหรับอุปกรณ์ที่ทำงานในอุณหภูมิร้อน น้ำมันสังเคราะห์ Vanguard® 15W-50 จะมีประสิทธิภาพที่ดีที่สุด



A	SAE 30 - ที่อุณหภูมิต่ำกว่า 40 องศาฟาเรนไฮต์ (4 องศาเซลเซียส) การใช้เบอร์ SAE 30 จะทำให้สตาร์ทยาก
B	10W-30 - ที่อุณหภูมิสูงกว่า 80 องศาฟาเรนไฮต์ (27 องศาเซลเซียส) การใช้เบอร์ 10W-30 อาจทำให้เพิ่มอัตราการใช้น้ำมัน ตรวจสอบระดับน้ำมันบ่อย ๆ
C	5W-30
D	น้ำมันสังเคราะห์ 5W-30
E	น้ำมันสังเคราะห์ Vanguard® 15W-50

## ตรวจสอบระดับน้ำมันเครื่อง

### ก่อนตรวจสอบหรือเติมน้ำมัน

- ต้องแน่ใจว่าเครื่องยนต์ อยู่ในระดับ
- ทำความสะอาดบริเวณที่เติมน้ำมันให้ปราศจากเศษวัสดุใด ๆ
- โปรดดูที่หัวข้อข้อมูลจำเพาะสำหรับความจุถังน้ำมัน

### ประกาศ

เครื่องยนต์นี้ถูกจัดส่งมาจาก Briggs & Stratton โดยไม่มีน้ำมัน ผู้ผลิตหรือตัวแทนจำหน่ายอุปกรณ์อาจจะมีน้ำมันลงในเครื่องยนต์ ก่อนสตาร์ทเครื่องยนต์ครั้งแรก ตรวจสอบให้แน่ใจว่าน้ำมันเชื้อเพลิงอยู่ในระดับที่ถูกต้อง เติมน้ำมันหล่อลื่นตามที่ระบุไว้ในคำแนะนำในคู่มือนี้ หากคุณสตาร์ทเครื่องยนต์โดยที่ไม่มีน้ำมันหล่อลื่น ความเสียหายที่เกิดขึ้นจะไม่สามารถซ่อมได้และไม่อยู่ในการรับประกัน

- ถอดก้านวัดน้ำมันเครื่อง (A, รูปที่ 4) ออกและเช็ดด้วยผ้าสะอาด
- ติดตั้งก้านวัดน้ำมันแล้วขันให้แน่น (A รูป 4)
- ถอดก้านวัดน้ำมันเครื่องออกและตรวจสอบ ระดับน้ำมัน ตรวจสอบให้แน่ใจว่าระดับน้ำมันหล่อลื่นอยู่ที่ขีดบนสุด (B, รูปที่ 4) บนก้านวัดน้ำมันเครื่อง
- หากน้ำมันอยู่ในระดับต่ำ ให้ค่อย ๆ เติมน้ำมันลงในช่องเติมน้ำมันหล่อลื่นของเครื่องยนต์ (C, รูปที่ 4) อย่าเติมน้ำมันหล่อลื่นมากเกินไป
- รอหนึ่งนาทีแล้วตรวจสอบระดับน้ำมันหล่อลื่นอีกครั้ง ตรวจสอบให้แน่ใจว่าเติมน้ำมันหล่อลื่นในระดับที่ถูกต้อง

- ติดตั้งก้านวัดน้ำมันแล้วขันให้แน่น (A รูป 4)

## ระบบป้องกันระดับน้ำมันหล่อลื่นต่ำ (หากติดตั้ง)

เครื่องยนต์บางรุ่นจะได้รับการติดตั้งเซ็นเซอร์วัดระดับน้ำมันหล่อลื่นต่ำ หากระดับน้ำมันหล่อลื่นต่ำ เซ็นเซอร์จะแสดงไฟแจ้งเตือนหรือหยุดการทำงานของเครื่องยนต์ ให้ดับเครื่องและทวนซ้ำขั้นตอนต่อไปนี้ก่อนที่คิจะสตาร์ทเครื่องยนต์

- ตรวจสอบให้แน่ใจว่าเครื่องยนต์อยู่ในแนวระดับ
- การตรวจสอบระดับน้ำมันหล่อลื่น โปรดดูที่หัวข้อการตรวจสอบระดับน้ำมันหล่อลื่น
- หากระดับน้ำมันหล่อลื่นต่ำ ให้เติมในปริมาณที่พอเหมาะ สตาร์ทเครื่องยนต์และตรวจสอบให้แน่ใจว่าไฟแจ้งเตือน (หากติดตั้ง) ไม่ติดสว่าง
- หากระดับน้ำมันหล่อลื่นไม่ต่ำ ห้ามสตาร์ทเครื่องยนต์ ติดต่อบริษัทตัวแทนจำหน่ายที่ได้รับอนุญาตของ Briggs & Stratton เพื่อทำการแก้ไขปัญหาน้ำมันหล่อลื่น

## ข้อแนะนำเกี่ยวกับน้ำมันเชื้อเพลิง

**น้ำมันเชื้อเพลิงจะต้องมีคุณสมบัติตรงตามข้อกำหนดเหล่านี้:**

- น้ำมันเบนซินสะอาด ใหม่ ไร้สารตะกั่ว
- มีออกเทนค่าสุดที่ 87/87 AKI (91 RON) หากใช้ที่ความสูงเหนือระดับน้ำทะเลในระดับสูงให้ดูด้านล่าง
- สามารถเติมน้ำมันเบนซินที่มีส่วนผสมของเอทานอลได้สูงสุด 10% (แก๊สโซฮอล์)

### ประกาศ

อย่าใช้น้ำมันเบนซินที่ไม่ได้อนุญาต เช่น E15 และ E85 ห้ามผสมน้ำมันหล่อลื่นลงในน้ำมันเชื้อเพลิงหรือทำการดัดแปลงเครื่องยนต์เพื่อให้ใช้งานน้ำมันเชื้อเพลิงชนิดอื่น ๆ ได้ การใช้เชื้อเพลิงที่ไม่ได้อนุญาตจะก่อให้เกิดความเสียหายต่อส่วนประกอบเครื่องยนต์ ซึ่งจะทำให้การรับประกันสิ้นสุดลง

เพื่อป้องกันไม่ให้ระบบน้ำมันเชื้อเพลิงมีคราบเหนียวสะสมและการกัดกร่อน ให้ผสมสารคงสภาพน้ำมันเชื้อเพลิงที่ปราศจากแอลกอฮอล์และการปรับสภาพด้วยเอทานอลลงในน้ำมันเชื้อเพลิง โปรดดูที่หัวข้อการจัดเก็บ น้ำมันเชื้อเพลิงทุกชนิดไม่เหมือนกัน หากมีปัญหาในการสตาร์ทหรือสมรรถนะของเครื่องยนต์เกิดขึ้น ให้เปลี่ยนผู้ผลิตน้ำมันเชื้อเพลิงหรือเปลี่ยนแบรนด์ เครื่องยนต์นี้ได้รับการรับรองสำหรับการใช้งานด้วยน้ำมันเบนซิน ระบบควบคุมการปล่อยไอเสียสำหรับเครื่องยนต์ที่มีคาร์บูเรเตอร์นี้ คือ EM (การดัดแปลงเครื่องยนต์) ระบบควบคุมการปล่อยไอเสียสำหรับเครื่องยนต์ที่มีการฉีดน้ำมันเชื้อเพลิงด้วยอิเล็กทรอนิกส์คือ ECM (ไมโครควบคุมเครื่องยนต์), MPI (การฉีดแบบหลายจุด) และหากติดตั้ง O2S (เซ็นเซอร์ตรวจวัดออกซิเจน)

### ที่ส่งเหนือระดับน้ำทะเล

สามารถใช้น้ำมันเบนซินที่มีค่าออกเทนอย่างน้อย 85/85 AKI (89 RON) ที่ระดับความสูงเกินกว่า 5,000 ฟุต (1,524 เมตร)

จำเป็นต้องมีการปรับระดับความสูงเพื่อรักษาสมรรถนะของเครื่องยนต์คาร์บูเรเตอร์ การใช้งานโดยปราศจากการปรับตั้งอาจทำให้สมรรถนะลดลง อัตราการใช้น้ำมันเชื้อเพลิงเพิ่มขึ้น และมลพิษเพิ่มขึ้น ติดต่อบริษัทบริการอย่างเป็นทางการของ Briggs & Stratton สำหรับรายละเอียดการปรับตั้งสำหรับการใช้งานในพื้นที่สูง ไม่แนะนำให้ใช้งานเครื่องยนต์ที่ระดับความสูงต่ำกว่า 2,500 ฟุต (762 เมตร) ด้วยชุดเครื่องมือสำหรับพื้นที่สูง

สำหรับเครื่องยนต์หัวฉีดอิเล็กทรอนิกส์ (EFI) ไม่จำเป็นต้องปรับระดับความสูง

## เติมน้ำมันเชื้อเพลิง



**เตือน** น้ำมันเชื้อเพลิงและไร้อะไหล่ของน้ำมันเชื้อเพลิงมีลักษณะไวไฟและเกิดการระเบิดได้ ไฟหรือการระเบิดอาจทำให้เกิดแผลไหม้หรือเสียชีวิตได้

### เมื่อคุณเติมน้ำมันเชื้อเพลิง

- ดับเครื่อง ก่อนที่คุณจะถอดฝาถังน้ำมันเชื้อเพลิง ให้รออย่างน้อยสอง (2) นาทีเพื่อให้แน่ใจว่าเครื่องยนต์เย็นลงแล้ว
- เติมน้ำมันในบริเวณกลางแจ้งหรือที่ถ่ายเทอากาศได้ดี
- อย่าเติมน้ำมันในถังมากเกินไป เพื่อป้องกันการขยายตัวของน้ำมันเชื้อเพลิง อย่าเติมเกินส่วนล่างของคอถังน้ำมัน
- เก็บรักษาน้ำมันเชื้อเพลิงให้ห่างจากประกายไฟ เปลวไฟ ไฟนอกรัง ความร้อน และแหล่งจุดติดไฟอื่น ๆ
- ตรวจสอบสายน้ำมัน ถังน้ำมัน ฝาถังน้ำมัน และจุดเชื่อมต่อบ่อย ๆ เพื่อมองหารอยแตกหรือรอยรั่ว เปลี่ยนชิ้นส่วนที่ได้รับบาดเจ็บเสียหาย
- หากน้ำมันเชื้อเพลิงหกสลับ ให้รองจนกระทั่งแห้งไปจนหมดก่อนที่จะสตาร์ทเครื่องยนต์

- ทำความสะอาดคราบสกปรกและเศษวัสดุบริเวณฝาปิดน้ำมันเชื้อเพลิง ถอดฝาปิดน้ำมันเชื้อเพลิง
- เติมน้ำมันเชื้อเพลิงลงในถังน้ำมัน (A, รูปที่ 5) เพื่อป้องกันการขยายตัวของน้ำมันเชื้อเพลิง อย่าเติมเกินส่วนล่างของคอถังน้ำมัน (B)
- ปิดฝาถังน้ำมันเชื้อเพลิง

## สตาร์ทเครื่องยนต์



เตือน

อันตรายจากก๊าซพิษ ไอเสียจากเครื่องยนต์ประกอบไปด้วยคาร์บอนมอนอกไซด์ ซึ่งเป็นก๊าซพิษที่สามารถทำให้เสียชีวิตได้ภายในเวลาไม่กี่นาที แม้ว่าคุณจะไม่รู้สึกกลิ่นพิษจากไอเสีย แต่คุณอาจจะได้รับอันตรายจากก๊าซคาร์บอนมอนอกไซด์ หากคุณรู้สึกไม่สบาย เวียนศีรษะ หรือไม่มีแรงขณะที่ใช้ผลิตภัณฑ์นี้ ให้ออกไปสูดอากาศบริสุทธิ์ "โดยทันที" ไปพบแพทย์ คุณอาจได้รับพิษจากก๊าซคาร์บอนมอนอกไซด์

- ก๊าซคาร์บอนมอนอกไซด์สามารถสะสมในพื้นที่ว่าง ใช้งานผลิตภัณฑ์นี้ในที่กลางแจ้งเท่านั้นและตั้งให้ห่างจากหน้าต่าง ประตู และช่องระบายอากาศ เพื่อลดความเสี่ยงจากก๊าซคาร์บอนมอนอกไซด์
- ติดตั้งสัญญาณเตือนคาร์บอนมอนอกไซด์แบบแบตเตอรี่หรือแบบพร้อมด้วยแบตเตอรี่สำรองตามที่ระบุไว้ในคำแนะนำของผู้ผลิต เครื่องตรวจจับควัน ไม่สามารถตรวจจับก๊าซคาร์บอนมอนอกไซด์ได้
- ห้ามใช้งาน ผลิตภัณฑ์นี้ภายในบ้าน โรงรถ ห้องใต้ดิน ใต้ถุนบ้าน เพิง หรือบริเวณที่เป็นสถานที่ปิดบางส่วนอื่น ๆ แม้ว่าจะมีการใช้พัดลมหรือมีการเปิดประตูและหน้าต่างเพื่อการระบายอากาศ หลังจากการทำงานของผลิตภัณฑ์นี้ คาร์บอนมอนอกไซด์สามารถสะสมในพื้นที่เหล่านี้ได้อย่างรวดเร็วและอยู่ได้นานหลายชั่วโมง
- ตั้งผลิตภัณฑ์นี้ไว้ที่ด้านใต้ลมและหันปลายของท่อไอเสียให้ห่างจากบริเวณที่มีคนอาศัยอยู่



เตือน

น้ำมันเชื้อเพลิงและไอระเหยของน้ำมันเชื้อเพลิงมีลักษณะไวไฟและเกิดการระเบิดได้ ไฟหรือการระเบิดอาจทำให้เกิดแผลไหม้หรือเสียชีวิตได้

เมื่อคุณสตาร์ทเครื่องยนต์

- ต้องแน่ใจว่าหัวเทียน หม้อพักกลดเสียง ฝาถังน้ำมันเชื้อเพลิง และเครื่องฟอกอากาศ (หากติดตั้ง) ติดตั้งอยู่ในตำแหน่งที่ถูกต้อง
- ห้ามหมุนขอเหวี่ยงเครื่องยนต์หากหัวเทียนถูกถอดออก
- หากเครื่องยนต์ถูกน้ำมันท่วม ให้ตั้งไซ้ (หากติดตั้ง) ไปที่ตำแหน่งเปิดหรือทำงานเลื่อนคันเร่ง (หากติดตั้ง) ไปที่ตำแหน่งเร็วแล้วหมุนขอเหวี่ยงจนกว่าเครื่องยนต์จะสตาร์ท
- หากมีการรั่วไหลของก๊าซธรรมชาติหรือก๊าซ LPG ในพื้นที่ ห้ามสตาร์ทเครื่องยนต์
- ห้ามใช้น้ำมันเริ่มต้นที่ใช้ในการรักษาแรงดัน เพราะไอระเหยมีความไวไฟ



เตือน

ชิ้นส่วนที่หมุนได้อาจทำให้มือ เท้า หม ข้อเท้า หรืออุปกรณ์เสริมเข้าไปติดได้และส่งผลให้เกิดบาดเจ็บจากการตัดหรือฉีกขาดได้

- ใช้งานอุปกรณ์โดยติดตั้งอุปกรณ์ป้องกันอย่างถูกต้อง
- เก็บมือและเท้าให้ห่างจากส่วนที่หมุนได้
- ถอดเครื่องประดับและตรวจสอบให้แน่ใจว่าผมยาวอยู่ห่างจากชิ้นส่วนที่หมุนได้ทั้งหมด
- อย่าสวมเสื้อผ้าหลวม ๆ หรือสิ่งของที่อาจเข้าไปติดได้



เตือน

การดึงกลับของสายสตาร์ทเครื่อง (การดึงกลับอย่างรวดเร็ว) จะดึงมือและแขนเข้าสู่เครื่องยนต์เร็วกว่าที่คุณจะสามารถปล่อยมือ ซึ่งอาจก่อให้เกิดกระดูกหัก กระดูกกรว การฟกช้ำหรือเคล็ดขัดยอกได้

- เมื่อทำการสตาร์ทเครื่องยนต์ดึงสายสตาร์ทเตอร์ซ้ำ ๆ จนกระทั่งรู้สึกถึงแรงต้าน จากนั้นดึงอย่างรวดเร็วเพื่อป้องกันการติดกลับ
- ให้นำเอาอุปกรณ์ภายนอกและโล่อากาศออกทั้งหมดออกก่อนที่จะสตาร์ทเครื่องยนต์
- ตรวจสอบให้แน่ใจว่าชิ้นส่วนประกอบของอุปกรณ์ที่เชื่อมต่อกันโดยตรง เช่น โคมไฟ โคมไฟรถ รอก เฟือง เป็นต้น ได้ถูกติดตั้งอย่างถูกต้อง

1. ตรวจสอบ น้ำมันเครื่อง โปรดดูที่หัวข้อการตรวจสอบระดับน้ำมันหล่อลื่น
2. ตรวจสอบให้แน่ใจว่าชุดควบคุมการขับเคลื่อน (หากติดตั้ง) ถูกปลดออกแล้ว
3. หมุนวาว์ตัดน้ำมันเชื้อเพลิง (A, รูปที่ 6) (หากติดตั้ง) ไปที่ตำแหน่ง "เปิด"
4. หมุนชุดควบคุมวาล์วปีกผีเสื้อ (B, รูปที่ 6) (หากติดตั้ง) ไปยังตำแหน่ง "เร็ว"
5. สำหรับรุ่นที่มีชุดควบคุมโซ้ (C, รูปที่ 6) ให้ขยับชุดควบคุมโซ้ไปที่ตำแหน่ง CLOSED สำหรับรุ่นที่มีชุดควบคุมโซ้/วาล์วปีกผีเสื้อรวมกัน (G, รูปที่ 6) ให้ขยับชุดควบคุมไปที่ตำแหน่งโซ้ สำหรับรุ่นที่มี ReadyStart® ให้ดำเนินการในขั้นตอนถัดไป

หมายเหตุ: โดยปกติจะไม่จำเป็นต้องใช้โซ้เมื่อทำการสตาร์ทในขณะที่เครื่องยนต์ยังร้อนอยู่

6. ปิดสวิตช์กุญแจสำหรับรุ่นที่มีสตาร์ทไฟฟ้า, ให้ปิดสวิตช์กุญแจ (D, รูปที่ 6) (หากติดตั้ง) ไปที่ตำแหน่งเปิด/สตาร์ท

ประกาศ สำหรับรุ่นที่มีสตาร์ทไฟฟ้า มอเตอร์สตาร์ทไฟฟ้าจะสตาร์ทโดยอัตโนมัติเมื่อสวิตช์หลักอยู่ที่ตำแหน่งเปิด/สตาร์ท

7. สำหรับรุ่นที่มีระบบดึงสตาร์ท, ให้ปิดสวิตช์กุญแจ (D, รูปที่ 6) (หากติดตั้ง) หรือสวิตช์หยุดอื่น ๆ ไปที่ตำแหน่ง "เปิด" ดึงสายสตาร์ท (E, รูปที่ 6) ซ้ำ ๆ จนกระทั่งรู้สึกถึงแรงต้าน จากนั้นให้ดึงอย่างรวดเร็ว
8. ในขณะที่เครื่องยนต์ยังอุ่นอยู่ ให้ขยับชุดควบคุมโซ้ (C, รูปที่ 6) ไปที่ตำแหน่ง "เปิด"

## การดับเครื่อง



เตือน

น้ำมันเชื้อเพลิงและไอระเหยของน้ำมันเชื้อเพลิงมีลักษณะไวไฟและเกิดการระเบิดได้ ไฟหรือการระเบิดอาจทำให้เกิดแผลไหม้หรือเสียชีวิตได้

- ห้ามลดปริมาณอากาศเข้าคาร์บูเรเตอร์ (หากติดตั้งไว้) เพื่อดับเครื่องยนต์

1. ปิดสวิตช์กุญแจ (D, รูปที่ 6) (หากติดตั้ง) หรือสวิตช์หยุดอื่น ๆ ไปที่ตำแหน่ง OFF
2. นำกุญแจออกและเก็บไว้ในที่ปลอดภัย
3. หลังจากที่คุณดับเครื่องแล้ว ให้ปิดอุปกรณ์ตัดน้ำมันเชื้อเพลิง (A, รูปที่ 6) (หากติดตั้ง) ไปที่ตำแหน่ง CLOSED

## การบำรุงรักษา

### ข้อมูลการบำรุงรักษา



เตือน

น้ำมันเชื้อเพลิงและไอระเหยของน้ำมันเชื้อเพลิงมีลักษณะไวไฟและเกิดการระเบิดได้ ไฟหรือการระเบิดอาจทำให้เกิดแผลไหม้หรือเสียชีวิตได้

ในระหว่างการบำรุงรักษาหากจำเป็นต้องเอียงเครื่องตรวจสอบ ให้แน่ใจว่าถังน้ำมันเชื้อเพลิงที่ติดตั้งบนเครื่องวางเปล่าและตามหัวเทียนอยู่ด้านบน หากถังน้ำมันไม่วางเปล่า อาจเกิดการรั่วไหลและอาจส่งผลให้เกิดไฟไหม้หรือการระเบิดได้ หากเครื่องยนต์เอียงไปในพื้นที่ทางอื่น จะไม่สามารถสตาร์ทได้ง่าย เนื่องจากมีน้ำมันหล่อลื่นหรือเชื้อเพลิงปนเปื้อนในไส้กรองอากาศหรือหัวเทียน



เตือน

ประกายไฟของเครื่องยนต์โดยบังเอิญอาจทำให้เกิดไฟฟ้าช็อต ไฟไหม้ หรือการระเบิด และอาจส่งผลให้เกิดการติดพัน การตัด หรือการเฉือนที่ทำให้เกิดบาดเจ็บ

ก่อนที่จะทำการตัดแปลงหรือซ่อมแซม:

- ถอดสายไฟหัวเทียนทั้งหมด และวางให้ห่างจากหัวเทียน
- ถอดสายไฟของแบตเตอรี่จากขั้วลบของแบตเตอรี่ (เฉพาะเครื่องยนต์แบบสตาร์ทด้วยไฟฟ้า)
- ใช้เฉพาะเครื่องมือที่ถูกต้องเท่านั้น

เมื่อคุณตรวจสอบประกายไฟ:

- ใช้เครื่องมือทดสอบหัวเทียนที่เหมาะสม
- ห้ามตรวจสอบการเกิดประกายไฟในขณะที่ถอดหัวเทียนออก



เตือน

อะไหล่จะต้องเป็นแบบเดียวกันและติดตั้งในตำแหน่งเดียวกันกับชิ้นส่วนแท้จากผู้ผลิต ชิ้นส่วนอื่น ๆ อาจส่งผลให้เกิดความเสียหายหรือการบาดเจ็บได้

ประกาศ

ส่วนประกอบทั้งหมดของเครื่องยนต์นี้จะต้องอยู่ในตำแหน่งที่ถูกต้องสำหรับการทำงาน

พบผู้ให้บริการที่ได้รับอนุญาตของ Briggs & Stratton สำหรับการบำรุงรักษาและการบริการเกี่ยวกับเครื่องยนต์และอะไหล่

## การให้บริการควบคุมการปล่อยไอเสีย

สำหรับการบำรุงรักษา เปลี่ยน หรือซ่อมอุปกรณ์และระบบควบคุมการปล่อยมลพิษ โปรดติดต่อสถานประกอบการซ่อมเครื่องยนต์ฟโรตที่มีคุณสมบัติเหมาะสมหรือช่างบริการ แต่อย่างไรก็ตาม สำหรับบริการควบคุมการปล่อยมลพิษ "โดยไม่มีค่าใช้จ่าย" จะต้องดำเนินการโดยตัวแทนจำหน่ายที่ได้รับอนุญาตจากโรงงาน โปรดดูที่คำแจ้งการควบคุมการปล่อยมลพิษ

### กำหนดการบำรุงรักษา

5 ชั่วโมงแรก
<ul style="list-style-type: none"> <li>• เปลี่ยนน้ำมันเครื่อง<sup>1</sup></li> </ul>
ระยะเวลา 8 ชั่วโมงหรือทุกวัน
<ul style="list-style-type: none"> <li>• ตรวจสอบระดับน้ำมันหล่อลื่น</li> <li>• ทำความสะอาดบริเวณโดยรอบหม้อพักไอเสียและชุดควบคุม</li> <li>• ทำความสะอาดตะแกรงอากาศเข้า</li> </ul>
ระยะเวลา 25 ชั่วโมงหรือมีละครั้ง
<ul style="list-style-type: none"> <li>• ทำความสะอาดตัวกรองอากาศ<sup>2</sup></li> <li>• ทำความสะอาดตัวฟอกอากาศขั้นต้น<sup>2</sup></li> </ul>
ระยะเวลา 50 ชั่วโมงหรือมีละครั้ง
<ul style="list-style-type: none"> <li>• เปลี่ยนน้ำมันเครื่อง<sup>3</sup></li> </ul>

<ul style="list-style-type: none"> <li>เปลี่ยนไส้กรองน้ำมัน (หากติดตั้ง)<sup>3</sup></li> <li>การบำรุงรักษาระบบท่อไอเสีย</li> </ul>
<b>ระยะเวลา 100 ชั่วโมงหรือทุกปี</b>
<ul style="list-style-type: none"> <li>เปลี่ยนน้ำมันเครื่อง<sup>4</sup></li> <li>เปลี่ยนไส้กรองน้ำมัน (หากติดตั้ง)<sup>4</sup></li> </ul>
<b>ทุกปี</b>
<ul style="list-style-type: none"> <li>เปลี่ยนหัวเทียน</li> <li>เปลี่ยนไส้กรองอากาศ</li> <li>เปลี่ยนตัวฟอกอากาศขั้นต้น</li> <li>เปลี่ยนไส้กรองน้ำมันเชื้อเพลิง</li> <li>ตรวจสอบระบบระบายความร้อนด้วยอากาศ<sup>1</sup></li> <li>ตรวจสอบระยะห่างของวาล์ว<sup>5</sup></li> </ul>

<sup>1</sup> เฉพาะเครื่องยนต์ที่ไม่มีไส้กรองน้ำมัน

<sup>2</sup> ในสภาวะที่มีฝุ่นหรือเมื่อเศษวัสดุในอากาศมาก ให้ทำความสะอาดบ่อยครั้งยิ่งขึ้น

<sup>3</sup> เครื่องยนต์ที่ไม่มีไส้กรองน้ำมันหรือมีไส้กรองน้ำมันสัปดาห์ตามฐาน ดูที่หัวข้อข้อมูลจำเพาะสำหรับหมายเลขชิ้นส่วน

<sup>4</sup> เครื่องยนต์ที่มีไส้กรองน้ำมันประสิทธิภาพสูงสี่เหลี่ยมหรือสี่เหลี่ยมผืนผ้า ดูหมายเลขชิ้นส่วนในหัวข้อข้อมูลจำเพาะ

<sup>5</sup> ไม่จำเป็นต้องทำนอกจากจะมีปัญหาเกี่ยวกับประสิทธิภาพเครื่องยนต์เกิดขึ้น

## ระบบจัดการน้ำมันเชื้อเพลิงอิเล็กทรอนิกส์

ระบบการจัดการน้ำมันเชื้อเพลิงอิเล็กทรอนิกส์จะติดตามอุณหภูมิของเครื่องยนต์ ความเร็วรอบของเครื่องยนต์ และแรงดันไฟฟ้าของแบตเตอรี่เพื่อปรับใช้ระหว่างการสตาร์ทและการอุ่นเครื่องยนต์ ไม่มีการปรับแต่งกับระบบ หากมีปัญหาในการสตาร์ทหรือการทำงานเกิดขึ้น ให้ติดต่อผู้ให้บริการที่ได้รับอนุญาตของ Briggs & Stratton

**ประกาศ** ตรวจสอบให้แน่ใจว่าได้ดำเนินการตามกฎเหล่านี้ มีฉนวนระบบการจัดการน้ำมันเชื้อเพลิงอิเล็กทรอนิกส์อาจได้รับความเสียหายได้

- อย่าสตาร์ทเครื่องยนต์หากสายแบตเตอรี่หรือหลวม
- หากคุณเชื่อมต่อสายจัมป์สตาร์ทหรือตัดการเชื่อมต่อหรือเชื่อมต่อสายแบตเตอรี่ใหม่ ให้ปิดสวิตช์จุดระเบิดไปที่ตำแหน่ง OFF เมื่อคุณชาร์จแบตเตอรี่ ให้ปิดสวิตช์จุดระเบิดไปที่ตำแหน่ง OFF
- เมื่อคุณถอดสายแบตเตอรี่จากแบตเตอรี่ ให้ถอดสายขั้วลบ (-) แล้วจึงค่อยถอดสายขั้วบวก (+) กับแบตเตอรี่ เมื่อคุณต่อสายแบตเตอรี่ ให้ต่อสายขั้วบวก (+) แล้วจึงค่อยต่อสายขั้วลบ (-) กับแบตเตอรี่
- อย่าใช้ที่ชาร์จแบตเตอรี่เพื่อสตาร์ทเครื่องยนต์
- อย่าถอดสายแบตเตอรี่ระหว่างการทำงานของเครื่องยนต์
- ห้ามพ่นน้ำลงบนหน่วยควบคุมอิเล็กทรอนิกส์โดยตรง

## คาร์บูเรเตอร์และความเร็วรอบของเครื่องยนต์

ห้ามทำการปรับตั้งคาร์บูเรเตอร์หรือความเร็วรอบของเครื่องยนต์ คาร์บูเรเตอร์ได้ถูกตั้งมาจากโรงงานเพื่อให้ทำงานอย่างมีประสิทธิภาพในสภาวะส่วนใหญ่ ห้ามปรับสปีดควบคุม ขอดดหรือชิ้นส่วนอื่น ๆ เพื่อเปลี่ยนความเร็วรอบของเครื่องยนต์ หากจำเป็นต้องมีการปรับเปลี่ยนใด ๆ กรุณาติดต่อตัวแทนบริการที่ได้รับอนุญาตจาก Briggs & Stratton สำหรับบริการในบริการ

### ประกาศ

ผู้ผลิตอุปกรณ์ระบุรอบสูงสุดสำหรับเครื่องยนต์ตามที่ติดตั้งบนอุปกรณ์ ห้ามเกินความเร็วนี้ หากคุณไม่แน่ใจว่ารอบสูงสุดของอุปกรณ์เป็นเท่าใดหรือรอบของเครื่องยนต์ที่มีการตั้งคามาจากโรงงานเป็นเท่าใด กรุณาติดต่อผู้ให้บริการที่ได้รับอนุญาตจาก Briggs & Stratton เพื่อขอรับความช่วยเหลือ เพื่อให้การทำงานของคุณมีความปลอดภัยและเหมาะสม ความเร็วรอบของเครื่องยนต์ควรได้รับการปรับตั้งโดยช่างเทคนิคบริการที่มีคุณสมบัติเหมาะสมเท่านั้น

## การซ่อมบำรุงหัวเทียน

ตรวจสอบช่องว่างของหัวเทียน (A, รูปที่ 7) ด้วยเกจวัดสายไฟ (B) หากจำเป็น ให้ปรับช่องว่างของหัวเทียน ติดตั้งหัวเทียนและขันให้แน่นตามค่าแรงบิดที่แนะนำ สำหรับข้อมูลจำเพาะของช่องว่างหรือแรงบิด โปรดดูที่หัวข้อข้อมูลจำเพาะ

## การบำรุงรักษาระบบท่อไอเสียและระบบระบายความร้อน



**เตือน** เครื่องยนต์และท่อไอเสียจะร้อนในระหว่างที่ทำงาน หากสัมผัสกับเครื่องยนต์ที่ร้อนอาจเกิดการไหม้จากความร้อนได้

**เศษวัสดุที่ติดไฟง่าย เช่น ใบไม้ หญ้า และกิ่งไม้ อาจติดไฟได้**

- ก่อนที่คุณจะสัมผัสเครื่องยนต์หรือท่อไอเสีย ให้ดับเครื่องยนต์และรอสอง (2) นาที ตรวจสอบให้แน่ใจว่าสามารถสัมผัสเครื่องยนต์และท่อไอเสียได้อย่างปลอดภัย
- กำจัดสิ่งสกปรกออกจากท่อไอเสียและเครื่องยนต์

การกระทำดังต่อไปนี้เป็นการฝ่าฝืนกฎของ California Public Resource บทที่ 4442 หากมีการใช้งานเครื่องยนต์ในบริเวณที่ป่า พุ่มไม้ หญ้า เวนแตรระบบไอเสียมีการตรวจจับประกายไฟ ตามที่ได้มีการกำหนดไว้ในบทที่ 4442 ในใบสั่งการทำงานที่มีผลบังคับใช้ รัฐหรือเขตอำนาจศาลอื่น ๆ ของรัฐบาลกลางอาจมีกฎหมายที่คล้ายกัน โปรดดูที่ Federal Regulation 36 CFR Part 261.52 ติดต่อโรงงานผลิตชิ้นส่วนจากผู้ผลิต ผู้ค้าปลีกหรือตัวแทนสำหรับตัวการตัดไฟที่ออกแบบมาสำหรับระบบไอเสีย ซึ่งถูกติดตั้งมาที่เครื่องยนต์นี้

เครื่องยนต์นี้ระบายความร้อนด้วยอากาศ สิ่งสกปรกหรือวัสดุที่ไม่พึงประสงค์สามารถทำให้ไม่มีอาการไหล และทำให้เครื่องยนต์ร้อนเกินไป ทำให้ไม่มีสมรรถนะที่ไม่พึงประสงค์และลดอายุของเครื่องยนต์ ครอบคลุมความร้อนของกระบอกสูบสามารถเก็บรวบรวมวัสดุที่ไม่พึงประสงค์ที่ไม่สามารถถอดออกโดยไม่แยกส่วนประกอบบางส่วนของเครื่องยนต์ ตรวจสอบให้แน่ใจว่าผู้ให้บริการที่ได้รับอนุญาตของ Briggs & Stratton ตรวจสอบและทำความสะอาดระบบระบายความร้อน โปรดดูที่หัวข้อ **กำหนดการบำรุงรักษา**

- ตรวจสอบให้แน่ใจว่าไม่มีวัสดุที่ติดไฟได้ครอบและด้านหลังหม้อพักไอเสีย
- ใช้แปรงหรือผ้าแห้งเพื่อขจัดวัสดุที่ไม่พึงประสงค์จากบริเวณฝาครอบตัวเครื่องเป่า หม้อพักไอเสียและกระบอกสูบ ห้ามใช้น้ำทำความสะอาดเครื่องยนต์
- ตรวจสอบให้แน่ใจว่าส่วนเชื่อมต่อ สปริง และชุดควบคุมสะอาด
- ตรวจสอบท่อไอเสียเพื่อมองหารอยแตก รอยสึกกร่อน หรือความเสียหายอื่น ๆ
- หากติดตั้งอุปกรณ์ป้องกันการตัดไฟ ให้ถอดออก และตรวจสอบความเสียหายหรือเขม่าออกตัว ตรวจสอบให้แน่ใจว่าคุณทำความสะอาดหรือติดตั้งอะไหล่ตอนที่คุณจะใช้งานอุปกรณ์

## เปลี่ยนน้ำมันเครื่อง



**เตือน** น้ำมันเชื้อเพลิงและไอระเหยของน้ำมันเชื้อเพลิงมีลักษณะไวไฟและเกิดการระเบิดได้ ไฟหรือการระเบิดอาจทำให้เกิดแผลไหม้หรือเสียชีวิตได้

**เครื่องยนต์และท่อไอเสียจะร้อนในระหว่างที่ทำงาน หากสัมผัสกับเครื่องยนต์ที่ร้อนอาจเกิดการไหม้จากความร้อนได้**

- หากคุณระบายน้ำมันออกจากด้านบนของท่อเติมน้ำมัน ถังน้ำมันเชื้อเพลิงว่างเปล่า หากไม่ว่างเปล่า อาจเกิดการรั่วไหลของน้ำมันเชื้อเพลิงและทำให้เกิดไฟไหม้หรือการระเบิดได้
- ก่อนที่คุณจะสัมผัสเครื่องยนต์หรือท่อไอเสีย ให้ดับเครื่องยนต์และรอสอง (2) นาที ตรวจสอบให้แน่ใจว่าสามารถสัมผัสเครื่องยนต์และท่อไอเสียได้อย่างปลอดภัย

น้ำมันหล่อลื่นที่ใช้แล้วเป็นผลิตภัณฑ์เชื้อเพลิงที่เป็นอันตรายและต้องได้รับการจัดการอย่างถูกต้อง ห้ามกำจัดทิ้งร่วมกับขยะจากครัวเรือน ติดต่อบริการท้องถิ่น ศูนย์บริการ หรือตัวแทนจำหน่ายเพื่อการกำจัดอย่างปลอดภัยหรือรีไซเคิล

## ถ่ายน้ำมันออก

- ขณะที่ดับเครื่องแล้วแต่เครื่องยนต์ยังอุ่นอยู่ ให้ถอดสายหัวเทียนออก (D, รูป 8) และให้อยู่ห่างจากหัวเทียน (E)
- ถอดก้านวัดน้ำมันเครื่องออก (A, รูปที่ 9)

## จกถ่ายน้ำมัน (หากติดตั้ง)

- ถอดจกถ่ายน้ำมัน (F, รูปที่ 10) ออก ถ่ายน้ำมันลงในภาชนะ ที่กำหนด

**หมายเหตุ:** สามารถติดตั้งจกถ่ายน้ำมัน (G, รูป 10) ในเครื่องยนต์ได้

- หลังจากน้ำมันได้ระบายออกจนหมดแล้ว ให้ติดตั้งจกถ่ายน้ำมัน (F, รูป 10) แล้วขันให้แน่น

## ตัวถ่ายน้ำมันเครื่องแบบรวดเร็ว (หากติดตั้ง)

- ปลดสายระบายน้ำมันเครื่องแบบรวดเร็ว (H, รูป 11) ออกจากด้านข้างของเครื่องยนต์
- หมุนและถอดฝาปิดตัวถ่ายน้ำมันเครื่อง (I, รูป 11) ค่อย ๆ หย่อนตัวถ่ายน้ำมันเครื่องแบบรวดเร็ว (H) ลงในภาชนะที่ได้รับบริการรับรอง (J)
- หลังจากที่ถ่ายน้ำมันเครื่องแล้ว ให้ติดตั้งฝาปิดตัวถ่ายน้ำมันเครื่องแบบรวดเร็ว (I, รูป 11) เสียบสายถ่ายน้ำมันเครื่องแบบรวดเร็ว (H) เข้าที่ด้านข้างของเครื่องยนต์

## เปลี่ยนไส้กรองน้ำมัน

- ถ่ายน้ำมันจากเครื่องยนต์ โปรดดูที่หัวข้อการระบายน้ำมันหล่อลื่น
- ถอดไส้กรองน้ำมัน (H, รูปที่ 12) และทิ้งอย่างถูกต้อง
- ก่อนใส่ไส้กรองน้ำมันหล่อลื่นใหม่ ให้หล่อลื่นปะเก็นตัวกรองน้ำมันเครื่องเล็กน้อยที่สะอาด
- ติดตั้งไส้กรองน้ำมันแบบแมนวาลจนกว่าปะเก็นจะติดเข้ากับอะแดปเตอร์ของตัวกรองน้ำมันหล่อลื่น หลังจากนั้นหมุนตัวกรอง 1/2 ถึง 3/4 รอบ
- การเติมน้ำมันหล่อลื่น โปรดดูที่หัวข้อการเติมน้ำมันหล่อลื่น
- สตาร์ทเพื่อให้เครื่องยนต์ทำงาน เมื่อเครื่องยนต์เริ่มร้อนขึ้น ให้ตรวจสอบว่ามีน้ำมันรั่วหรือไม่
- ดับเครื่อง ตรวจสอบให้แน่ใจว่าระดับน้ำมันหล่อลื่นอยู่ที่ขีดบนสุดบนก้านวัดน้ำมันเครื่อง โปรดดูที่หัวข้อการเติมน้ำมันหล่อลื่น

## เติมน้ำมันเครื่อง

- ต้องแน่ใจว่าเครื่องยนต์อยู่ในระดับ
- ทำความสะอาดบริเวณที่เติมน้ำมันให้ปราศจากเศษวัสดุใด ๆ
- โปรดดูที่หัวข้อข้อมูลจำเพาะสำหรับความจุถังน้ำมัน

- ถอดก้านวัดน้ำมันเครื่องออก (A, รูปที่ 4) เช็ดน้ำมันออกจากก้านวัดน้ำมันด้วยผ้าสะอาด

2. ค่อยๆ เติมน้ำมันลงในช่องเติมน้ำมันของเครื่องยนต์ (C, รูปที่ 4) **อย่าเติมน้ำมันในถังน้ำมันเครื่องมากเกินไป** หลังการเติมน้ำมันหล่อลื่น ให้รอหนึ่งนาทีแล้วค่อยตรวจสอบระดับน้ำมันหล่อลื่น

**หมายเหตุ:** ห้ามเติมน้ำมันหล่อลื่นที่ตัวถ่าน้ำมันหล่อลื่นแบบรวดเร็ว หากติดตั้งไว้

3. ติดตั้งก้านวัดน้ำมันแล้วขันให้แน่น (A, รูปที่ 4)
4. ถอดก้านวัดน้ำมันเครื่องออกและตรวจสอบ ระดับน้ำมัน ระดับน้ำมันที่ถูกต้องคือที่ด้านบนสุดของตัวบ่งชี้ น้ำมันเต็ม (B, รูปที่ 4) บนก้านวัดน้ำมันเครื่อง
5. ติดตั้งก้านวัดน้ำมันแล้วขันให้แน่น (A, รูปที่ 4)
6. เชื่อมต่อสายหัวเทียนเข้ากับหัวเทียน ดูที่ส่วน **ถ่าน้ำมันเครื่อง**

## การบำรุงรักษาแผ่นกรองอากาศ



**เตือน** ไอร้อนของน้ำมันเชื้อเพลิงมีลักษณะไวไฟและเกิดการระเบิดได้ ไฟหรือการระเบิดอาจทำให้เกิดแผลไหม้หรือเสียชีวิตได้

- ห้ามสตาร์ทหรือใช้งานเครื่องยนต์ขณะที่เครื่องฟอกอากาศ (หากติดตั้ง) หรือกรองอากาศ (หากติดตั้ง) ถูกถอดออก

### ประกาศ

ห้ามใช้ลมเป่าหรือตัวทำลายเพื่อทำความสะอาดตัวกรองอากาศ การใช้ลมเป่าอาจทำให้ตัวกรองได้รับความเสียหายและตัวทำลายจะละลายตัวกรอง

โปรดดูที่ตารางการบำรุงรักษาสำหรับข้อกำหนดในการซ่อมบำรุง

รุ่นต่างๆ จะใช้ไฟไหม้หรือกระดาษกรองแตกต่างกัน นอกจากนี้ บางรุ่นอาจมีอุปกรณ์ทำความสะอาดเบื้องต้นเป็นอีกทางเลือก ซึ่งสามารถล้างและนำกลับมาใช้ได้อีก เปรียบเทียบภาพต่างๆ ในคู่มือกับชนิดที่ถูกติดตั้งบนเครื่องยนต์ของคุณและดำเนินการดังนี้

### แผ่นกระดาษกรองอากาศ

1. ดึงตัวจับฝาครอบขึ้นมา (A, รูปที่ 13) หมุนที่จับฝาครอบไปในทิศทางของเครื่องยนต์แล้วถอดฝาครอบออก (B)
2. ถอดตัวกรองชั้นต้น (C, รูปที่ 13) (หากติดตั้ง) ออกจากตัวกรอง (D)
3. เคาะตัวกรองอากาศ (D, รูปที่ 13) เบาๆ บนพื้นแข็ง เพื่อให้เศษวัสดุหลุดออก หากตัวกรองอากาศสกปรกมากเกินไป ให้เปลี่ยนเป็นอันใหม่
4. ทำความสะอาดตัวกรองชั้นต้น (C, รูปที่ 13) ในน้ำยาทำความสะอาดและน้ำ ตากตัวกรองชั้นต้น (C) ทั้งไว้ให้แห้งสนิท **อย่า** หล่อลื่นตัวฟอกอากาศชั้นต้น
5. ประกอบตัวกรองชั้นต้นที่แห้งแล้ว (C, รูปที่ 13) และตัวกรอง (D) กับฐานเครื่องยนต์ (E)
6. จัดให้แท็บ (F, รูปที่ 13) บนฝาครอบ (B) ตรงกับช่อง (G) ในที่ครอบเครื่องเป่าลม
7. หมุนตัวจับฝาครอบ (A, รูปที่ 13) กลับเข้าที่และดันลงไปเพื่อให้ล็อกเข้าที่

### แผ่นกระดาษกรองอากาศ

1. คลายตัวยึด (A รูปที่ 14)
2. ถอดฝาครอบออก (B รูปที่ 14)
3. ยกปลายด้านหนึ่งของตัวกรองแล้วดึงตัวกรองออกจากท่อไอเสีย (D) เพื่อถอดตัวกรอง (C, รูปที่ 14) ออก
4. เคาะตัวกรองอากาศ (D, รูปที่ 14) เบาๆ บนพื้นแข็ง เพื่อให้เศษวัสดุหลุดออก หากตัวกรองอากาศสกปรกมากเกินไป ให้เปลี่ยนเป็นอันใหม่
5. ถอดตัวกรองชั้นต้น (E, รูปที่ 14) (หากติดตั้ง) ออกจากตัวกรอง (C)
6. ทำความสะอาดตัวกรองชั้นต้น (E, รูปที่ 14) ในน้ำยาทำความสะอาดและน้ำ ตากตัวฟอกอากาศชั้นต้นทั้งไว้ให้แห้ง **อย่า** หล่อลื่นตัวฟอกอากาศชั้นต้น
7. ประกอบตัวกรองชั้นต้น (E, รูปที่ 14) ที่แห้งแล้ว (หากติดตั้ง) เข้ากับตัวกรอง (D)
8. ติดตั้งตัวกรอง (C, รูปที่ 14) เข้ากับท่อไอเสีย (D) ดันปลายของตัวกรองลงไปบนฐานของเครื่องยนต์ ตรวจสอบให้แน่ใจว่าตัวกรองถูกยึดแน่นที่ฐานของเครื่องยนต์
9. ติดตั้งฝาครอบตัวกรองอากาศ (B, รูปที่ 14) และยึดให้แน่นด้วยตัวยึด

## การบำรุงรักษาระบบน้ำมันเชื้อเพลิง



**เตือน** น้ำมันเชื้อเพลิงและไอร้อนของน้ำมันเชื้อเพลิงมีลักษณะไวไฟและเกิดการระเบิดได้ ไฟหรือการระเบิดอาจทำให้เกิดแผลไหม้หรือเสียชีวิตได้

- เก็บรักษาน้ำมันเชื้อเพลิงให้ห่างจากประกายไฟ เปลวไฟ ไฟนรก ความร้อน และแหล่งจุดติดไฟอื่นๆ
- ตรวจสอบสายน้ำมัน ถังน้ำมัน ฝาถังน้ำมัน และจุดเชื่อมต่ออย่างสม่ำเสมอเพื่อมองหารอยแตกหรือรอยรั่ว เปลี่ยนชิ้นส่วนที่ได้รับความเสียหาย
- หากน้ำมันเชื้อเพลิงหกหล่น ให้รองจนกระทั่งระเหยไปจนหมดก่อนที่จะสตาร์ทเครื่องยนต์

### ตัวกรองน้ำมันเชื้อเพลิง (หากติดตั้ง)

1. ก่อนที่คุณจะเปลี่ยนตัวกรองน้ำมันเชื้อเพลิง (A, รูปที่ 15) ให้ระบายถังน้ำมันเชื้อเพลิงหรือปิดวาล์วปิดน้ำมันเชื้อเพลิง หากถังน้ำมันเชื้อเพลิงไม่ระบายออกอาจเกิดการรั่วไหลของน้ำมันเชื้อเพลิงและทำให้เกิดไฟไหม้หรือระเบิดได้
2. บีบแถบ (B, รูปที่ 15) ที่ข้อรัด (C) ด้วยคีมแล้วเลื่อนข้อรัดให้ห่างจากตัวกรองน้ำมันเชื้อเพลิง (A)

3. บิดแล้วดึงสายน้ำมันเชื้อเพลิง (D, 15) ออกจากตัวกรองน้ำมันเชื้อเพลิง
4. ตรวจสอบสายน้ำมันเชื้อเพลิง (D, รูปที่ 15) เพื่อดูรอยแตกหรือรอยรั่ว หากจำเป็น ให้เปลี่ยนสายน้ำมันเชื้อเพลิง
5. เปลี่ยนตัวกรองน้ำมันเชื้อเพลิง (A, รูปที่ 15)
6. ประกอบท่อน้ำมันเชื้อเพลิง (D, รูปที่ 15) โดยให้ข้อรัด (C)

### ตัวกรองเชื้อเพลิง หากมีการติดตั้ง

1. ถอดฝาปิดน้ำมันเชื้อเพลิงออก (A, รูปที่ 16)
2. ถอดเครื่องกรองน้ำมันเชื้อเพลิงออก (B, รูปที่ 16)
3. หากตัวกรองเชื้อเพลิงสกปรก ให้ทำความสะอาด หรือเปลี่ยนใหม่ ถ้าคุณเปลี่ยนตัวกรองเชื้อเพลิง ตรวจสอบดูให้แน่ใจว่าไอโซลเทท

## การเก็บรักษา

### ระบบน้ำมันเชื้อเพลิง

โปรดดูภาพประกอบ: 17



**เตือน** น้ำมันเชื้อเพลิงและไอร้อนของน้ำมันเชื้อเพลิงมีลักษณะไวไฟและเกิดการระเบิดได้ ไฟหรือการระเบิดอาจทำให้เกิดแผลไหม้หรือเสียชีวิตได้

### ที่เก็บเชื้อเพลิง

- วางไว้ให้ห่างจากเตาเผา เตapot เครื่องทำน้ำร้อน หรือสิ่งอื่นใดที่มีหลอดไฟแสดงสถานะขนาดเล็ก เนื่องจากอาจเกิดการลุกไหม้ได้เนื่องจากไอของน้ำมันเชื้อเพลิง

จัดให้เครื่องยนต์อยู่ในระดับ (ตำแหน่งการใช้งานปกติ) เติมน้ำมันเชื้อเพลิงลงในถังน้ำมัน (A, รูป 17) อย่าเติมเกินส่วนของคอถังน้ำมัน (B) เพื่อเผื่อไว้สำหรับการขยายตัวของน้ำมันเชื้อเพลิง

น้ำมันเชื้อเพลิงสามารถเก่าลงเมื่อเก็บในภาชนะบรรจุเป็นเวลาานานกว่า 30 วัน แนะนำให้ใช้สารคงสภาพน้ำมันเชื้อเพลิงที่ปราศจากแอลกอฮอล์และการปรับสภาพด้วยเอทานอลในภาชนะสำหรับเก็บเพื่อป้องกันการเสื่อมสภาพของน้ำมันเชื้อเพลิง และคงให้น้ำมันเชื้อเพลิงใหม่อยู่เสมอ

เมื่อคุณเติมน้ำมันเชื้อเพลิงลงในภาชนะบรรจุน้ำมันเชื้อเพลิง ให้เติมสารคงสภาพน้ำมันเชื้อเพลิงที่ปราศจากแอลกอฮอล์ตามที่ระบุไว้ในคำแนะนำของผู้ผลิต หากน้ำมันเบนซินในเครื่องยนต์ไม่ได้รับการปรับสภาพด้วยสารคงสภาพน้ำมันเชื้อเพลิง จะต้องระบายลงในภาชนะบรรจุที่ได้รับอนุมัติ ให้เครื่องยนต์ทำงานจนกว่าน้ำมันเชื้อเพลิงจะหมด

## น้ำมันเครื่อง

ให้เปลี่ยนน้ำมันเครื่องในขณะที่เครื่องยนต์ยังคงอุ่นอยู่ โปรดดูที่หัวข้อการเปลี่ยนน้ำมันหล่อลื่น

## การแก้ไขปัญหา

### ความช่วยเหลือ

สำหรับความช่วยเหลือ ให้ติดต่อตัวแทนจำหน่ายในท้องถิ่นของคุณ หรือไปที่ [BRIGGSandSTRATTON.COM](http://BRIGGSandSTRATTON.COM) หรือโทรไปที่หมายเลข 1-800-444-7774 (ในสหรัฐอเมริกา)

## ข้อมูลจำเพาะและอะไหล่บริการ

ข้อมูลจำเพาะ	รุ่น: 210000	รุ่น: 310000
ความจุ	21.01 ci (344 cc)	30.59 ci (501 cc)
ขนาดกระบอกสูบ	3.437 นิ้ว (87,30 มม.)	3.563 นิ้ว (90,49 มม.)
เต็มเชื้อเพลิง	2.264 นิ้ว (57,51 มม.)	3.062 นิ้ว (77,77 มม.)
ความจุน้ำมันหล่อลื่น - ไม่มีไส้กรอง	42 - 44 oz (1,24 - 1,30 L)	42 - 44 oz (1,24 - 1,30 L)
ความจุน้ำมันหล่อลื่น - มีไส้กรอง	46 - 48 oz (1,36 - 1,40 L)	46 - 48 oz (1,36 - 1,40 L)
ระยะห่างเขี้ยวหัวเทียน	.030 นิ้ว (.76 มม.)	.030 นิ้ว (.76 มม.)
แรงบิดหัวเทียน	180 ปอนด์-นิ้ว (20 Nm)	180 ปอนด์-นิ้ว (20 Nm)
ช่องว่างอากาศกระดอง	0.010 - 0.014 นิ้ว (0,25 - 0,36 มม.)	0.010 - 0.014 นิ้ว (0,25 - 0,36 มม.)
ระยะห่างวาล์วไอเสีย	0.003 - .005 นิ้ว (0,08 - 0,13 มม.)	0.003 - .005 นิ้ว (0,08 - 0,13 มม.)
ระยะห่างวาล์ว ไอเสีย	0.005 - 0.007 นิ้ว (0,13 - 0,18 มม.)	0.005 - 0.007 นิ้ว (0,13 - 0,18 มม.)

### ชิ้นส่วนอะไหล่

เพื่อซื้อชิ้นส่วนอะไหล่ของ Briggs & Stratton ให้ค้นหาหมายเลขบริการที่ได้รับอนุญาตที่ [BRIGGSandSTRATTON.COM](http://BRIGGSandSTRATTON.COM) คุณจะต้องมีหมายเลขรหัสของคุณ (รุ่น - แบบ - การปรับตั้ง) ดูหัวข้อ**คุณสมบัติและการควบคุม**เพื่อค้นหาหมายเลขรหัสเครื่องยนต์ของคุณ



## พิศกัถำล้ง

พิศกัถำล้งร่วมสำหรัลเครื่องย่นเบนซินแต่ละรุ่นจะติดปำยลลกกำกับตำนขั้ตอนการร่นูกำล้งและเรบ์ดสำหรัลเครื่องย่นตำนเล็กรหัส J1940 ของ SAE (Society of Automotive Engineers - สมนคมนตรีกรรมย่นยนต) และตำนรหัส SAE J1995 กำนเรยีกเรบ์ดสูงสุดอยู่ที่ 2,600 รอบต่อนำน (RPM) สำหรัลเครื่องย่นที่มีปำยกำเป็น "รอบต่อนำน (rpm)" และ 3,060 รอบต่อนำนสำหรัลเครื่องย่นต้อื่นๆ เรมกำสูงสุดอยู่ที่ 3,600 รอบต่อนำน สำมารถคุดรพแสงกำล้งโคทึ่ [www.BRIGGSandSTRATTON.COM](http://www.BRIGGSandSTRATTON.COM) การวัดคกำล้งทฐิจะทำนที่ระบบโอเลยและมีการติดตั้งชุดฟอกอากศ ในขณะทึ่การวัดคกำล้งร่วมจะดำนเนินการโดยไมติดตั้งอุปกรณ์เหล่านั้ กำนล้งร่วมเครื่องย่นที่แท้จริงจะมีคำนสูงกวำกำล้งทฐิซึ่งเป็นผลมำจกปัจยิตงๆ ต้งนั้ สภำวะอุณหภูมิการใชงำนและตัวแปรเครื่องย่นตต่อเครื่องย่นต เนื่องจกคภำหกลำนหลายของงำนที่เครื่องย่นตถูกนำปไปใช้ เครื่องย่นตเบนซินอจจะให้กำล้งร่วมไม่ล้งตำนที่ระบบโอเลยงำนกับอุปกรณ์ไฟฟำบงอยงำน คภำหแตกต่างเนื่องมำจกตัวแปรหลายอยงำนซึ่งร่วมไปล้งแต่ ไมได้จำกัคแค่เพียง ส่วนประกอบต่งๆ ของเครื่องย่นต (ชุดฟอกอากศ ระบบโอเลยการขำรขง การระบำนยคภำหรอน คำนเรเตอร์ บั้มน้ำมันเชือเพลิง เป็นต้น) ขงจำกัคตำนการใชงำนสภำวะอากศคภำหใชงำน (อุณหภูมิ คภำหขั้ น คภำหสูง) และตัวแปรเครื่องย่นตต่อเครื่องย่นต เนื่องด้วยขงจำกัคตำนการผลิตและคภำหสำมรถนในการจัดเก็บ Briggs & Stratton อจจะเปลี่ยนเครื่องย่นตนี้เป็นเครื่องย่นตที่มีกำล้งที่สูงกวำ

## การรับประกัณ

### การรับประกัณเครื่องย่นตของ Briggs & Stratton®

มีผลบ้งคั้บไซเดือนสิงหคม 2022

#### ขอมเขตขงการรับประกัณ

Briggs & Stratton รั้บประกัณวำในระหว่งขงเวลการรับประกัณตำนที่ระบบโอเลยล้งนั้ จะไม่คิตรีการค้ำชอมหรือการเปลี่ยนแชนง ปรับตงใหม่ หรือทำนการผลิตใหม่ สำหรัลอุปกรณ์ที่ขำรคุดจกวิสตุหรือการจกการผลิตหรือจกต้งสออยงำนยอุปกรณ์ใหม่ ต้งนั้เป็น ไปตำนคุดยนิพินจขง Briggs & Stratton แต่เพียงฝำยเดียว ผู้ซื้อจจะต้งรับคิตรีชอมค้ำชองส่งผลิตกัณขงเพื่อชอมแชนงหรือการเปลี่ยนนภำยไคการรับประกัณนั้ การรับประกัณนั้จะมีผลบ้งคั้บไซและขงเวลการรับประกัณและเงื่อนไคขมที่ระบบโอเลยล้งนั้ สำหรัลประกัณการรับบริการ โปรดคณหำตัวแทนบริกัทรทึ่ได้รับอนญัตติโกลบำนคณในแชนงที่ต้งขงตัวแทนโคทึ่ [BRIGGSandSTRATTON.COM](http://BRIGGSandSTRATTON.COM) ผู้ซื้อจจะต้งคิตรีชอมตัวแทนบริกัทรทึ่ได้รับอนญัตติ และเงงผลิตกัณทึ่ไซตอตัวแทนบริกัทรทึ่ได้รับอนญัตติ เพื่อรับการตรวจสอบและการทสอบ

**ไม่มีการรับประกัณแบบอื่น** การรับประกัณทึ่ไม่มีลยลัษณอ็กษร ร่วมไปล้งการซื้อขำยและคภำหสำมรถนในการใชงำนตำนจตประสคคณเฉพาะมีกำหนดภำยในหนงนั้บงจกวันทึ่ซื้อ หรือระบะเวลทึ่ได้รับอนญัตติตำนกฏหมำย ไมรร่วมถึงการรับประกัณทึ่ไม่มีลยลัษณอ็กษรอื่น ๆ ต้งหมค **ควมรับคิตรีชอมค้ำชองที่เก็ชขึ้นหรือเป็นผลลิบเนื่องจจะได้รับการยกเวนตำนขมเขต** ที่ได้รับอนญัตติตำนกฏหมำย ในบงรัฐหรือบงประเทศไม่อนญัตติใหม่ขงจำกัค ระยะเวลาทึ่รับประกัณเวลำและบงรัฐหรือบงประเทศไม่อนญัตติใหม่การยกเวนหรือขงจำกัคขงควมเสียหำยที่เก็ชขึ้นหรือเป็นผลลิบเนื่อง ต้งนั้ ขงจำกัคขงตงนและการยกเวนจะไม่อจจะนำปไปใช้กับคณ การรับประกัณนั้ให้ลธิขตำนกฏหมำยที่เฉพาะเจจจะงและคณยงำนยอมีลธิขอื่น ๆ ทึ่แตกต่าง แต่ละรัฐและประเทศ

ขอตกลงการรับประกัณแบบมำตรฐำน 1, 2
<b>Vanguard®; ซีรีส์เพื่อการพำณชย</b>
การใชงำนของผู้บริโภค - 36 เดือน
การใชงำนเชิงพำณชย - 36 เดือน
<b>ซีรีส์ XR</b>
การใชงำนของผู้บริโภค - 24 เดือน
การใชงำนเชิงพำณชย - 24 เดือน
<b>เครื่องย่นตที่มีปลอกหุ้มเหล็กหล่อแบบ Dura-Bore™ อื่น ๆ ต้งหมค</b>
การใชงำนของผู้บริโภค - 24 เดือน
การใชงำนเชิงพำณชย - 12 เดือน
<b>เครื่องย่นตอื่น ๆ ต้งหมค</b>
การใชงำนของผู้บริโภค - 24 เดือน
การใชงำนเชิงพำณชย - 3 เดือน

<sup>1</sup> รำยการตอไปนั้เป็นเงื่อนไซสำหรัลการรับประกัณตำนมำตรฐำนขงเรำ แต่การรับประกัณที่เพิ่มเด็มบงรำยการอำยงไม่ได้รับบริกัทรจำรณำ ณ เวลทึ่เอกสำรตีพิมพ์ สำหรัลรำยลชะเยีตขงขอตกลงการรับประกัณปัจจุบันสำหรัลเครื่องย่นตขงคณ ไปทึ่ [BRIGGSandSTRATTON.com](http://BRIGGSandSTRATTON.com) หรือคิตรีชอมตัวแทนบริกัทรทึ่ได้รับอนญัตติขง Briggs & Stratton

<sup>2</sup> ไม่รับประกัณเครื่องย่นตที่ไซเป็นเครื่องกำเนตไฟฟำหลักในเชิงอนกประสค; เครื่องกำเนตไฟฟำสำรองที่ไซเพื่อจตุประสคคณการพำณชย, รอนนภะประสคทึ่มีควมเร็วสูงกวำ 25 ไมลตอขำโมง หรือเครื่องย่นตที่ไซในการขงชนหรือในสภำณในเชิงพำณชยหรือไหขำ

\* ในประเทศออสเตรเลีย - สนนค้ำขงเรำมพร้อมกับการรับประกัณทึ่ไม่สำมรถยกเวนภำยไคกฏหมำยคมคุดรขงผู้บริโภคขงออสเตรเลีย คณมีลธิขทึ่จะขมเปลี่ยนหรือขงเงื่อนขำรคิตรีชอมค้ำชองคณสำหรัลควมเสียหำยร่นงและเงื่อนขมขมสำหรัลควมสูญเสยและควมเสียหำยที่คำรคณโดยอยงำนมีเหตุคณยงมีลธิขทึ่จะขมเปลี่ยนค้ำชองหรือเปลี่ยน หกสนนคำไม่คิตรีชอมภำยทึ่จะขมรับได้ และควมเสียหำยทึ่ไม่ร่วมอยู่ในควมเสียหำยหลัก สำหรัลบริกัทรตำนการรับประกัณ ให้คณหำตัวแทนจำหนำยในบริกัทรทึ่ได้รับอนญัตติโกลบำนคณในแชนงที่สถำนที่ต้งตัวแทนจำหนำยขงเรำทึ่ [BRIGGSandSTRATTON.COM](http://BRIGGSandSTRATTON.COM) หรือโทร 1300 274 447 หรือโดยการส่งอีเมลหรือเขียนถึง [salesenquiries@briggsandstratton.com.au](mailto:salesenquiries@briggsandstratton.com.au), Briggs & Stratton Australia Pty Ltd, 1 Moorebank Avenue, Moorebank, NSW, ออสเตรเลีย, 2170

ระยะเวลาการรับประกัณจะเริ่มนับจกวันทึ่ซื้อขงผู้บริโภคหรือการใชงำนเชิงพำณชยและตอไปตำนขงเวลำตำนในครำงที่ระบบโอเลยบง "การใชงำนของผู้บริโภค" หมำยถึงการใชงำนในครำวเรือนโดยผู้ไชรำนยอย "การใชงำนเชิงพำณชย" หมำยถึง การใชขั้ น ๆ ต้งหมคที่ร่วมถึงการใชเพื่อวัตถุประสงค์ในการพำณชย การสรำงรำนยโค หรือเพื่อวัตถุประสงค์สำหรัลเชำ เมื่ออุปกรณ์ถูกใชในเชิงพำณชยแล้ว จะถือว่ามัจตุประสคเพื่อการพำณชยในการรับประกัณนั้

### ไม่จำเป็นต้งมำการทงะเบยงำนการรับประกัณเพื่อให้เกิดการรับประกัณผลิตกัณขง

**Briggs & Stratton บันทึ่กัลฐำนในเสริจรับเงินการซื้อ**  
**หำคณไม่โหลฐำนวันทึ่ซื้อเมื่อมีการขอใช้บริกัทรการรับประกัณ วันทึ่ผลิตผลิตกัณขงจะถูกใช้กำหนดระยะเวลารับประกัณ**

#### เก็ยกับการรับประกัณขงคณ

การรับประกัณแบบจำกัคคุดรคคมถึงวัสตุทึ่เก็ยขงกับเครื่องย่นตและ/หรือปัญหำมีมือการผลิตและไม่มีการเปลี่ยนหรือคิตรีชอมเงินขงอุปกรณ์ทึ่อจมีมำคิตรีชอมขงกับเครื่องย่นต การปำรขงรักษำตำนปกติ การเพิ่มประลธิภำพ การปรับเปลี่ยนหรือ การลสิกรอตำนปกติจะไม่ได้รับการคมคุดรขงภำยไคการรับประกัณนั้ ในทำนองเดียวกัน การรับประกัณนั้ ไม่สำมรถใช้ ได้หำกเครื่องย่นตคณำกรเอกใช้หรือคิตรีชอมเลขซีเรียลเครื่องย่นตถูกขิตขำหรือถูกบออก การรับประกัณนั้ไม่คุดรคคมถึงควมเสียหำยขงเครื่องย่นตหรือปัญหำประลธิภำพการทำนงำนทึ่เกิดจก:

1. ใช้ขั้ นส่วนทึ่ไม่ไซ Briggs & Stratton
2. กำนทำนงำนเครื่องย่นตทึ่มีน้ำมันหลอสนั้ไม่เพียงพอหรือปนเบือนหรือมีน้ำมันหลอสนั้เกรคไม่ถูกตอง
3. การใช้น้ำมันเชือเพลิงทึ่ปนเบือนหรือคุดกขง น้ำมันเบนซินผสมเทำนอลที่มำกวำ 10% หรือการใชเชือเพลิงทงเลือก เช่น บีโตรีเลียมหลวหรือก้ำขรธรรมชำนในเครื่องย่นต ไมไดออกเบม/ผลิตโดย Briggs & Stratton เพื่อการใชงำนกับเชือเพลิงต้งกลำว
4. ลังสกรทึ่เขำไปนเครื่องย่นตเพราะการปำรขงรักษำกรออากศทึ่ไม่ถูกตองหรือการถอดประกอบใหม่
5. การใช้วัสตุทึ่มีมัจตุคุดรคคมของเครื่องคุดรคคมแบบหมน การคิตรีชอมทึ่ไม่ถูกตองหรือ การหลวมขงอะแคปเตอร์ไมมัจตุ, ไขปัดหรืออุปกรณ์ทึ่คุดรคคมไปกับเพลำขอหรือยงอื่น ๆ หรือควมแนนเก้นไปขงสภำพนรองวี
6. ขั้ นส่วนหรือการประกอบทึ่เก็ยขงกับเชน คลิทซ์ การขั้ นเคลื่อน Briggs & Stratton
7. ควมรอนสูงเก้นไปเนื่องจกการคิตรีชอมและเสยล็งสกรทึ่หรือร้งนุทึ่คิตรีชอมหรือคิตรีชอมคิตรีชอมควมรอนหรือทึ่ลอขงขงแรงหรือโดยกรทำนงำนขง เครื่องย่นตทึ่ไม่มีการระบำนยอกรออากศทึ่เพียงพอ
8. การสั้ นเสยเทือนมำกเก้นไปเนื่องจกการเร้งรอม การคิตรีชอมเครื่องย่นตหลวม ไขมัจตุคุดรคคมหรือไขปัดหลวมหรือไม่สมคุด หรือการขำคุดทึ่ไม่เหมาะสมขงขั้ นส่วนอุปกรณ์สำหรัลเพลำขอหรือยง
9. การใช้มัจตุคุดรคคมของ การขำรคุดรคคมปำรขงรักษำตำนปกติ การจ้ ดล้ง การจ้ ดการหรือ การเก็บขงอุปกรณ์หรือการคิตรีชอมเครื่องย่นตทึ่ไม่เหมาะสม

บริกัทรการรับประกัณ ได้จำกัคตัวแทนบริกัทรอยงำนเป็นทงำกรขง Briggs & Stratton ทำนันระบุดะหนงตัวแทนจำหนำยทึ่ได้รับอนญัตติโกลบำนคณในแชนงที่สถำนที่ต้งตัวแทนจำหนำยขงเรำทึ่ [BRIGGSandSTRATTON.COM](http://BRIGGSandSTRATTON.COM) หรือโทร 1-800-444-7774 (ในประเทศสหรัฐอเมริก)

80114782 (ฉบับปรับปรุง A)

## Thông tin chung



Sổ tay hướng dẫn này chứa thông tin an toàn về các nguy cơ và rủi ro liên quan đến động cơ và cách ngăn chặn chúng. Nó cũng cho biết các hoạt động và bảo trì chính xác đối với động cơ này. Bạn cần phải đọc, hiểu và tuân theo những hướng dẫn này. **Giữ sách hướng dẫn này để tham khảo về sau.**

**GHI CHÚ:** Các số liệu và hình ảnh trong sổ tay này chỉ dành cho mục đích cung cấp thông tin và có thể khác với mẫu máy của bạn. Sử dụng các số liệu phù hợp với cấu hình động cơ của bạn. Nếu cần, hãy trao đổi với Đại lý Dịch vụ Ủy quyền.

Ghi lại ngày mua, mẫu động cơ, loại động cơ, số cấp và mã số sê-ri động cơ cho các phụ tùng thay thế. Những con số này nằm trên động cơ của bạn. Tham khảo mục **Các Tính năng và Điều khiển**.

Ngày mua	
Mẫu Động cơ - Loại Động cơ - Số cấp	
Số Seri Động cơ	

## Thông tin Liên hệ của Văn phòng Châu Âu

Nếu bạn có thắc mắc về tiêu chuẩn phát thải của châu Âu, vui lòng liên hệ với Văn phòng Châu Âu của chúng tôi theo địa chỉ:

id="European\_Contact\_Info"Max-Born-Straße 2, 68519 Viernheim, Đức.

## Liên minh Châu Âu (EU) Giai đoạn V (5): Chỉ số Cacbon Đi-ô-xít (CO2)

Nhập CO2 vào cửa sổ tìm kiếm trên BriggsandStratton.com để tìm các chỉ số carbon dioxide của các động cơ có Giấy chứng nhận Phê duyệt Kiểu loại của Briggs & Stratton EU.

## An toàn cho người vận hành

### Biểu tượng Cảnh báo An toàn và Từ hiệu



Biểu tượng cảnh báo an toàn xác định thông tin an toàn về các nguy hiểm có thể gây thương tích cá nhân. Từ hiệu (**NGUY HIỂM**, **CẢNH BÁO** hoặc **CHÚ Ý**) được sử dụng để chỉ khả năng và mức độ thương tích nghiêm trọng có thể xảy ra. Ngoài ra, biểu tượng cảnh báo nguy hiểm được sử dụng để cho biết loại nguy hiểm.

**NGUY HIỂM** chỉ ra một nguy hiểm mà nếu không tránh được, **sẽ gây tử vong hoặc thương tích nghiêm trọng.**

**CẢNH BÁO** chỉ ra một nguy hiểm mà nếu không tránh được, **sẽ gây tử vong hoặc thương tích nghiêm trọng.**

**CHÚ Ý** chỉ mỗi nguy hiểm, nếu không tránh được, **có thể** gây thương tích nhẹ hoặc trung bình.

**LƯU Ý** chỉ các thông tin quan trọng cần lưu tâm nhưng không nguy hiểm.

### Biểu tượng Nguy hiểm và Ý nghĩa

Thông tin an toàn về các mối nguy hiểm có thể gây ra thương tích cá nhân.	Hãy đọc và hiểu Sổ tay Hướng dẫn vận hành trước khi vận hành hoặc sửa chữa thiết bị.
Nguy cơ Hoả hoạn	Nguy cơ Cháy nổ
Nguy cơ bị Điện giật	Nguy hiểm do Khí độc
Nguy hiểm do Bề mặt Nóng	Nguy cơ bị Kéo ngược đột ngột
Nguy cơ bị Cắt cụt chi - Do các bộ phận Chuyển động	Mức Nhiên liệu - Tối đa Không Đổ Quá đầy

## Thông điệp về an toàn



### CẢNH BÁO

Động cơ Briggs & Stratton® không được thiết kế cho và không được sử dụng để vận hành: xe đua fun-kart; xe đua go-kart; xe cho trẻ em, xe dã ngoại, xe thể thao trên mọi địa hình (ATV); xe máy; tàu đệm khí; máy bay; hoặc các phương tiện được sử dụng trong các cuộc đua xe không được Briggs & Stratton chấp thuận. Để biết thêm thông tin về các sản phẩm đua cạnh tranh, vui lòng truy cập [www.briggsracing.com](http://www.briggsracing.com). Để sử dụng cho các xe địa hình dịch vụ đa năng và xe địa hình hai chỗ ngồi, vui lòng liên hệ Trung tâm Ứng dụng Động cơ Briggs & Stratton Power, qua số điện thoại 1-866-927-3349. Sử dụng động cơ không đúng cách có thể dẫn đến thương tích nghiêm trọng hoặc tử vong.

## Thông tin Tái chế



Tái chế tất cả các thùng, hộp, dầu và ắc-quy đã qua sử dụng theo quy định của chính phủ.

## Các Tính năng và Bộ Điều khiển

### Các Bộ điều khiển Động cơ

So sánh các chữ cái chú thích trong Hình 1, 2 và 3 với các bộ điều khiển động cơ trong danh sách sau:

- Mã số Nhận dạng Động cơ **Mẫu - Loại - Mã số**
- Bugie
- Bộ lọc Khí
- Tay cần khởi động (nếu được lắp đặt)
- Que thăm Nhớt
- Ốc Xả Nhớt
- Bộ giảm thanh, Tấm chắn Bộ giảm thanh (nếu được lắp đặt), Bộ triệt Tia lửa (nếu được lắp đặt)
- Vỏ máy thổi
- Bộ lọc Dầu (nếu được lắp đặt)
- Bộ khởi động Điện (nếu được lắp đặt)
- Bộ chế hòa khí
- Bộ lọc Nhiên liệu (nếu được lắp đặt)
- Bơm Nhiên liệu (nếu được lắp đặt)
- Bộ Xả dầu Nhanh (nếu được lắp đặt)
- Bộ Điều khiển Điện tử (nếu được lắp đặt)

### Các Ký Hiệu Điều khiển Động cơ và Ý nghĩa

Tốc độ Động cơ - NHANH	Tốc độ Động cơ - CHẬM
Tốc độ Động cơ - DỪNG	BẬT - TẮT
Khởi động Động cơ Bướm gió ĐÓNG	Khởi động Động cơ Bướm gió MỞ
Nắp Bình nhiên liệu Ngắt Nhiên liệu MỞ	Ngắt Nhiên liệu ĐÓNG

## Vận hành



**CẢNH BÁO**  
Hơi nhiên liệu cực kỳ dễ cháy và dễ nổ. Cháy hoặc nổ có thể dẫn đến bỏng hoặc tử vong.

### Nếu bạn người thấy mùi khí đốt

- Không khởi động động cơ.
- Không bật công tắc điện.
- Không sử dụng điện thoại trong khu vực lân cận.
- Sơ tán khu vực.
- Liên hệ với sở cứu hỏa.

### Khi vận hành thiết bị

- Không lật nghiêng động cơ hay thiết bị khiến nhiên liệu bị chảy ra.

### Khi di chuyển vị trí của thiết bị

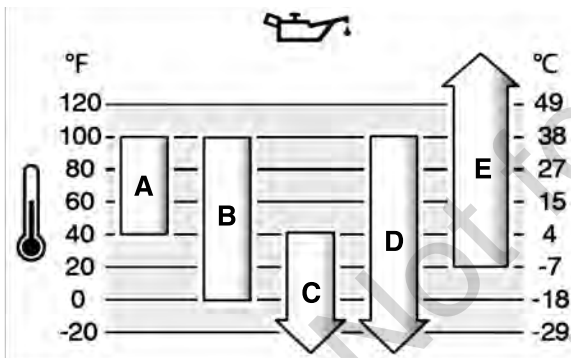
- Đảm bảo rằng bình nhiên liệu đang TRỐNG hoặc van ngắt nhiên liệu, nếu được lắp đặt, ở vị trí ĐÓNG.

## Khuyến nghị về Dầu

**Công suất Dầu:** Xem mục *Thông số Kỹ thuật*.

Chúng tôi khuyến nghị sử dụng các loại dầu đã được Chứng nhận của Briggs & Stratton® để có hiệu suất vận hành tốt nhất. Cho phép sử dụng các loại dầu rửa chất lượng cao khác nếu chúng thuộc cấp SF, SG, SH, SJ hoặc cao hơn. Không sử dụng các chất phụ gia đặc biệt.

Sử dụng biểu đồ để chọn độ Dầu tốt nhất cho khoảng nhiệt độ ngoài trời dự kiến. Các động cơ trên hầu hết thiết bị ngoài trời chạy điện hoạt động tốt với dầu tổng hợp 5W-30. Đối với thiết bị hoạt động ở nhiệt độ cao, dầu tổng hợp Vanguard® 15W-50 cho khả năng bảo vệ tốt nhất.



A	SAE 30 - Dưới 40°F (4°C) nếu sử dụng dầu SAE 30 sẽ làm máy khó khởi động.
B	10W-30 - Trên 80°F (27°C) nếu sử dụng dầu 10W-30 có thể làm tăng mức tiêu thụ dầu. Kiểm tra mức dầu thường xuyên.
C	5W-30
D	Dầu tổng hợp 5W-30
E	Dầu tổng hợp Vanguard® 15W-50

## Kiểm tra Mức dầu động cơ

Trước khi kiểm tra hoặc thêm dầu

- Phải đặt động cơ nằm thật cân bằng.
- Vệ sinh sạch sẽ khu vực rót dầu.
- Xem mục *Thông số Kỹ thuật* để biết công suất dầu.

### LƯU Ý

Động cơ này được vận chuyển từ nhà máy Briggs & Stratton không có nhớt bên trong. Nhà sản xuất thiết bị hoặc đại lý có thể đã tiếp dầu vào động cơ. Trước khi khởi động động cơ lần đầu tiên, hãy đảm bảo rằng dầu ở mức chính xác. Tiếp dầu theo chỉ dẫn trong sách hướng dẫn này. Nếu bạn khởi động động cơ khi chưa tiếp dầu, động cơ sẽ bị hư hại nặng và sẽ không được sửa chữa theo chế độ bảo hành.

1. Lấy que thăm dầu ra (A, Hình 4) và lau bằng vải.
2. Lắp vào và vặn chặt que thăm (A, Hình 4).
3. Tháo que thăm và kiểm tra mức dầu. Đảm bảo mức dầu ở trên cùng bộ chỉ báo đầy (B, Hình 4) trên que thăm dầu.
4. Nếu mức dầu thấp, từ từ thêm dầu vào trong lỗ nạp dầu động cơ (C, Hình 4). Không thêm quá nhiều dầu.
5. Đợi một phút sau đó kiểm tra lại mức dầu. Đảm bảo rằng mức dầu là chính xác.

6. Lắp vào và vặn chặt que thăm (A, Hình 4).

## Hệ thống Bảo vệ ở Mức Dầu Thấp (nếu được lắp đặt)

Một số động cơ được lắp cảm biến dầu thấp. Nếu mức dầu bị thấp, cảm biến sẽ hiển thị đèn cảnh báo hoặc tắt động cơ. Tắt động cơ và làm theo các bước sau trước khi bạn khởi động động cơ.

- Phải đảm bảo đặt động cơ nằm thật cân bằng.
- Kiểm tra dầu. Tham khảo mục *Kiểm tra Mức Dầu*.
- Nếu mức dầu bị thấp, hãy nạp thêm đúng lượng dầu. Khởi động động cơ và đảm bảo rằng đèn cảnh báo (nếu được lắp đặt) không bật sáng.
- Nếu mức dầu không bị thấp, không khởi động động cơ. Liên lạc với Đại lý Dịch vụ Ủy quyền của Briggs & Stratton để sửa chữa sự cố về dầu.

## Khuyến nghị về nhiên liệu

Nhiên liệu phải đáp ứng các yêu cầu này:

- Xăng không chì, sạch, mới.
- Tối thiểu 87 octan/87 AKI (91 RON). Nếu sử dụng ở nơi có độ cao lớn, xem dưới đây.
- Được phép dung xăng có tối đa 10% ethanol (gasohol).

### LƯU Ý

Không sử dụng xăng chưa được phê chuẩn như E15 và E85. Không được trộn dầu vào xăng hoặc chỉnh sửa động cơ để có thể vận hành được với các loại nhiên liệu khác. Việc sử dụng nhiên liệu không được phê chuẩn sẽ làm hỏng các bộ phận của động cơ và sẽ không được sửa chữa theo chế độ bảo hành.

Để bảo vệ hệ thống nhiên liệu khỏi sự hình thành gôm và ăn mòn, hãy trộn chất ổn định nhiên liệu không chứa cồn và xử lý ethanol vào nhiên liệu. Tham khảo mục *Bảo quản*. Không phải mọi nhiên liệu đều giống nhau. Nếu bạn gặp sự cố với việc khởi động hoặc vận hành máy, hãy thay đổi nhà cung cấp nhiên liệu hoặc nhãn hiệu nhiên liệu khác. Động cơ này được chứng nhận là động cơ chạy xăng. Hệ thống kiểm soát khí thải cho động cơ được chế hòa khí này là EM (Engine Modifications/Cải tiến động cơ). Các hệ thống kiểm soát khí thải cho động cơ có phun xăng điện tử là ECM (Engine Control Module, Mô-đun điều khiển động cơ), MPI (Multi Port Injection, Bơm đa cổng) và nếu được trang bị O2S (Cảm biến Ôxy).

### Độ Cao

Ở độ cao trên 5.000 feet (1.524 mét), có thể chấp nhận xăng tối thiểu loại 85 octane/85 AKI (89 RON).

Đối với động cơ chế hòa khí, cần điều chỉnh độ cao để duy trì hiệu suất. Vận hành máy mà không điều chỉnh độ cao sẽ làm cho máy giảm hiệu suất, tăng mức tiêu thụ nhiên liệu và lượng khí thải. Liên hệ với Đại lý dịch vụ ủy quyền của Briggs & Stratton để biết thông tin về điều chỉnh ở độ cao. Khi vận hành động cơ ở độ cao dưới 2.500 feet (762 mét), không nên tiến hành điều chỉnh độ cao.

Đối với động cơ Phun xăng điện tử (EFI), không cần điều chỉnh độ cao.

## Thêm Nhiên Liệu



**CẢNH BÁO**  
Nhiên liệu và hơi của động cơ rất dễ cháy nổ. Cháy hoặc nổ có thể dẫn đến bỏng hoặc tử vong.

### Khi bạn đổ thêm nhiên liệu

- Hãy tắt động cơ. Trước khi bạn tháo nắp nhiên liệu, hãy đợi ít nhất hai (2) phút để đảm bảo rằng động cơ đã nguội.
- Tiếp bình nhiên liệu ở ngoài trời hoặc khu vực thông gió tốt.
- Không đổ quá nhiều nhiên liệu vào bình. Để dự phòng nhiên liệu giãn nở, không đổ vượt quá đáy cổ bình nhiên liệu.
- Để nhiên liệu xa tia lửa, ngọn lửa mở, đèn hiệu sử dụng khí đốt, nguồn nhiệt và các nguồn bắt lửa khác.
- Thường xuyên kiểm tra các đường ống dẫn nhiên liệu, bình xăng, nắp nhiên liệu và các mối nối để phát hiện các vết nứt hoặc rò rỉ. Thay các bộ phận bị hư hỏng.
- Nếu nhiên liệu bị vấy đổ, hãy đợi cho đến khi nó khô trước khi khởi động động cơ.

1. Vệ sinh sạch sẽ khu vực quanh nắp bình chứa nhiên liệu. Tháo nắp bình nhiên liệu.
2. Đổ đầy nhiên liệu vào bình nhiên liệu (A, Hình 5). Do nhiên liệu sẽ giãn nở, không đổ vượt quá đáy cổ bình nhiên liệu (B).
3. Đậy nắp bình nhiên liệu.

## Khởi động động cơ



### CẢNH BÁO

**NGUY CƠ KHÍ ĐỘC.** Khí thải động cơ có chứa monôxít các-bon, một loại khí độc có thể gây tử vong cho bạn trong vài phút. Dù không nghĩ thấy mùi khí thải, bạn vẫn có thể đang tiếp xúc với khí carbon monoxide. Nếu bạn cảm thấy khó chịu, chóng mặt hoặc mệt mỏi khi sử dụng thiết bị này, hãy đi ra ngoài hít thở không khí trong lành NGAY LẬP TỨC. Hãy đi khám. Bạn có thể đã bị nhiễm độc monôxít các-bon.

- Khí carbon monoxide có thể tích tụ trong không gian. CHỈ vận hành động cơ này bên ngoài nhà và xa cửa sổ, cửa ra vào và các lỗ thông khí để giảm rủi ro của carbon monoxide.
- Cài đặt chuông báo carbon monoxide chạy pin hoặc chuông báo carbon monoxide cài trong có pin dự phòng như được nêu cụ thể trong hướng dẫn của nhà sản xuất. Chuông báo khói không thể phát hiện khí carbon monoxide.
- KHÔNG vận hành thiết bị này bên trong nhà, nhà để xe, tầng hầm, tầng lửng, nhà kho hoặc các không gian kín ngay cả khi có sử dụng quạt hoặc cửa chính và cửa sổ để thông khí. Sau khi sản phẩm này hoạt động, carbon monoxide có thể nhanh chóng tích tụ trong những không gian này và lưu lại trong nhiều giờ.
- LUÔN đặt thiết bị này xuôi theo hướng gió và hướng ống xả động cơ ra xa khỏi không gian sống.



### CẢNH BÁO

**Nhiên liệu và hơi của động cơ rất dễ cháy nổ. Cháy hoặc nổ có thể dẫn đến bỏng hoặc tử vong.**

#### Khi bạn khởi động động cơ

- Đảm bảo rằng bugi, bộ giảm âm, nắp bình nhiên liệu và bộ lọc khí (nếu có trang bị) được lắp chắc chắn.
- Không khởi động động cơ khi đã tháo bugi.
- Nếu động cơ bị ngập, hãy đặt bướm gió (nếu có trang bị) về vị trí MỞ hoặc CHẠY. Di chuyển van tiết lưu (nếu có trang bị) đến vị trí NHANH và vận cho đến khi động cơ khởi động.
- Nếu có khí đốt tự nhiên hoặc ga LP rò rỉ trong khu vực, không khởi động động cơ.
- Không sử dụng dung dịch khởi động có áp do hơi của nó dễ cháy.



### CẢNH BÁO

**Các bộ phận quay có thể vướng vào tay, chân, tóc, quần áo hoặc phụ kiện và dẫn đến chấn thương do cắt vào chi hoặc làm rách da thịt.**

- Vận hành thiết bị với các bộ phận bảo vệ được lắp đặt chính xác.
- Giữ tay và chân tránh xa các bộ phận chuyển động quay.
- Tháo trang sức và đảm bảo cột tóc dài lên cao, tránh xa tất cả các bộ phận xoay.
- Không mặc quần áo rộng hoặc các đồ có thể bị mắc kẹt.



### CẢNH BÁO

**Dây khởi động rút nhanh (giật ngược) sẽ kéo tay và cánh tay của bạn về phía động cơ nhanh hơn mức bạn có thể buông ra. Bạn có thể bị vỡ xương, gãy xương, bầm tím hoặc bong gân.**

- Để tránh hiện tượng giật ngược khi khởi động động cơ, hãy kéo dây khởi động từ từ cho đến khi cảm thấy có lực cản rồi kéo nhanh.
- Trước khi khởi động động cơ, hãy ngắt kết nối hoặc tháo tất cả các thiết bị bên ngoài và tải động cơ.
- Đảm bảo rằng các bộ phận của thiết bị được ghép nối trực tiếp, chẳng hạn như, nhưng không giới hạn ở, cánh quạt, gạt tuyết, ròng rọc và đĩa xích, được gắn chính xác.

1. Kiểm tra nhớt động cơ. Tham khảo mục **Kiểm tra Mức Dầu**.
2. Đảm bảo rằng các bộ điều khiển truyền động của thiết bị, nếu được lắp đặt, đã được tháo rời.
3. Chuyển van ngắt nhiên liệu (A, Hình 6), nếu được lắp đặt, sang vị trí MỞ
4. Chuyển bộ điều khiển van tiết lưu (B, Hình 6), nếu được lắp đặt, đến vị trí NHANH.
5. **Đối với các kiểu động cơ có điều khiển bướm gió (C, Hình 6)**, hãy di chuyển điều khiển bướm gió đến vị trí ĐÓNG. **Đối với các kiểu động cơ có điều khiển kết hợp bướm gió/tiết lưu ga (G, Hình 6)**, hãy di chuyển điều khiển đến vị trí BƯỚM GIÓ. **Đối với các kiểu động cơ có trang bị ReadyStart®**, hãy đến bước tiếp theo.

**GHI CHÚ:** Thường không cần dùng đến bướm gió khi khởi động động cơ đang ấm.

6. **Đối với các kiểu động cơ có khởi động điện**, vận công tắc khóa (D, Hình 6), nếu được lắp đặt, đến vị trí BẬT/KHỞI ĐỘNG.

**LƯU Ý** Đối với các kiểu khởi động bằng điện, bộ khởi động điện sẽ tự động khởi động khi công tắc khóa ở vị trí BẬT/KHỞI ĐỘNG.

7. **Đối với các kiểu động cơ có Khởi động Cuộn lại dây**, vận công tắc khóa (D, Hình 6), nếu được lắp đặt, đến vị trí BẬT. Kéo tay cần khởi động (E, Hình 6) từ từ cho đến khi cảm thấy có lực cản rồi kéo nhanh.
8. Khi động cơ nóng lên, chuyển bộ điều khiển bướm gió (C, Hình 6), nếu được lắp đặt, đến vị trí MỞ.

## Tắt động cơ



### CẢNH BÁO

**Nhiên liệu và hơi của động cơ rất dễ cháy nổ. Cháy hoặc nổ có thể dẫn đến bỏng hoặc tử vong.**

- Không bít bộ chế hòa khí (nếu có trang bị) để tắt động cơ.
1. Vận công tắc khóa (D, Hình 6), nếu được lắp đặt, hoặc công tắc dừng khác, đến vị trí TẮT.
  2. Rút chìa ra và cất giữ chìa tại nơi an toàn.
  3. Sau khi động cơ dừng, chuyển van ngắt nhiên liệu (A, Hình 6), nếu được lắp đặt, đến vị trí ĐÓNG.

## Bảo Dưỡng

### Thông tin bảo trì



### CẢNH BÁO

**Nhiên liệu và hơi của động cơ rất dễ cháy nổ. Cháy hoặc nổ có thể dẫn đến bỏng hoặc tử vong.**

Trong quá trình bảo trì, nếu cần nghiêng thiết bị, hãy đảm bảo rằng bình nhiên liệu, nếu được gắn trên động cơ, đã cạn và phía bugi hướng lên. Nếu bình nhiên liệu không cạn, có thể xảy ra rò rỉ và có thể dẫn đến hỏa hoạn hoặc cháy nổ. Nếu động cơ bị nghiêng sang một hướng khác, động cơ sẽ không dễ khởi động vì lọc gió hoặc bugi bị nhiễm dầu hoặc nhiên liệu.



### CẢNH BÁO

**Tia lửa vô tình trên động cơ có thể gây điện giật, hỏa hoạn hoặc nổ và có thể dẫn đến vướng víu, chấn thương do cắt chi hoặc rách da thịt.**

#### Trước khi tiến hành điều chỉnh hoặc sửa chữa:

- Ngắt kết nối tất cả dây bugi và giữ xa khỏi bugi.
- Ngắt kết nối dây ác quy khỏi cực âm của ác quy (chỉ động cơ khởi động điện).
- Chỉ sử dụng các dụng cụ phù hợp.

#### Khi kiểm tra tia lửa:

- Hãy sử dụng thiết bị kiểm tra bugi được chấp thuận.
- Không kiểm tra tia lửa điện khi đã tháo bugi.



### CẢNH BÁO

Thiết bị thay thế phải giống và được lắp đặt ở cùng vị trí như bộ phận gốc. Các bộ phận khác có thể gây hư hỏng hoặc chấn thương.

#### LƯU Ý

Tất cả các bộ phận tạo thành động cơ này phải được giữ đúng vị trí để đảm bảo động cơ hoạt động đúng cách.

Gặp Đại lý Dịch vụ Ủy quyền của Briggs & Stratton để được bảo trì và bảo dưỡng tất cả động cơ và các bộ phận động cơ.

## Bảo trì Thiết bị Kiểm soát Khí thải

Để bảo trì, thay thế hoặc sửa chữa các thiết bị và hệ thống kiểm soát khí thải, hãy liên hệ với cơ sở sửa chữa động cơ địa hình có trình độ hoặc kỹ thuật viên bảo dưỡng. Tuy nhiên, để được bảo trì thiết bị kiểm soát lượng khí thải "miễn phí", bạn phải làm việc với đại lý ủy quyền của nhà máy. Tham khảo các Báo cáo Kiểm soát Khí thải.

## Chương trình Bảo trì

5 Giờ Đầu tiên
<ul style="list-style-type: none"><li>• Thay nhớt động cơ<sup>1</sup>.</li></ul>
Khoảng mỗi 8 giờ hoặc hàng ngày
<ul style="list-style-type: none"><li>• Kiểm tra mức dầu của động cơ.</li><li>• Làm sạch khu vực xung quanh bộ giảm âm và điều khiển.</li><li>• Làm sạch đường dẫn khí nạp.</li></ul>



<b>Khoảng mỗi 25 giờ hoặc hàng năm</b>
<ul style="list-style-type: none"> <li>Làm sạch bộ lọc khí<sup>2</sup>.</li> <li>Làm sạch bộ làm sạch sơ cấp<sup>2</sup>.</li> </ul>
<b>Khoảng mỗi 50 giờ hoặc hàng năm</b>
<ul style="list-style-type: none"> <li>Thay dầu động cơ<sup>3</sup>.</li> <li>Thay bộ lọc dầu (nếu được lắp đặt)<sup>3</sup>.</li> <li>Bảo trì hệ thống xả.</li> </ul>
<b>Khoảng mỗi 100 giờ hoặc hàng năm</b>
<ul style="list-style-type: none"> <li>Thay dầu động cơ<sup>4</sup>.</li> <li>Thay bộ lọc dầu (nếu được lắp đặt)<sup>4</sup>.</li> </ul>
<b>Hàng năm</b>
<ul style="list-style-type: none"> <li>Thay thế bugi.</li> <li>Thay bộ lọc khí.</li> <li>Thay bộ làm sạch sơ cấp.</li> <li>Thay bộ lọc nhiên liệu.</li> <li>Bảo trì hệ thống làm mát<sup>1</sup>.</li> <li>Kiểm tra độ hở van<sup>5</sup>.</li> </ul>

<sup>1</sup> Chỉ những động cơ không có bộ lọc dầu.

<sup>2</sup> Làm sạch thường xuyên hơn trong điều kiện bụi bẩn hoặc khi có nhiều hạt bụi trong không khí..

<sup>3</sup> Động cơ không có bộ lọc dầu hoặc có bộ lọc dầu màu đen tiêu chuẩn. Xem phần *Thông số kỹ thuật* để biết mã số bộ phận.

<sup>4</sup> Các động cơ có bộ lọc dầu màu cam hoặc vàng hiệu quả cao. Xem phần *Thông số kỹ thuật* để biết mã số bộ phận.

<sup>5</sup> Không yêu cầu trừ khi có các vấn đề về hiệu suất động cơ.

## Hệ thống Quản lý Nhiên liệu Điện tử

Hệ thống Quản lý Nhiên liệu Điện tử giám sát nhiệt độ động cơ, tốc độ động cơ và điện áp ắc-quy để điều chỉnh bướm gió trong khi khởi động động cơ và làm nóng. Không có điều chỉnh trên hệ thống. Nếu xảy ra sự cố khi khởi động hoặc vận hành, hãy liên lạc Đại lý Dịch vụ Ủy quyền của Briggs & Stratton.

**LƯU Ý** Hãy đảm bảo tuân thủ các quy tắc này nếu không Hệ thống Quản lý Nhiên liệu Điện tử có thể bị hư hại.

- KHÔNG khởi động động cơ nếu dây cáp ắc quy bị lỏng.
- Trước khi nối cáp khởi động nháy hoặc ngắt nối hoặc lại cáp ắc-quy, hãy chuyển công tắc đánh lửa sang vị trí TẮT. Khi bạn sạc ắc-quy, hãy chuyển công tắc đánh lửa sang vị trí TẮT.
- Khi ngắt kết nối cáp ắc-quy, trước tiên hãy ngắt kết nối cáp âm (-) sau đó kết nối cáp dương (+) với ắc-quy. Khi ngắt kết nối cáp ắc-quy với ắc-quy, hãy kết nối cáp dương (+), sau đó kết nối cáp âm (-) với ắc-quy.
- KHÔNG sử dụng bộ sạc ắc-quy để khởi động động cơ.
- KHÔNG ngắt kết nối cáp ắc quy trong khi động cơ hoạt động.
- KHÔNG phun nước trực tiếp vào Bộ điều khiển Điện tử.

## Bộ chế hòa khí và Tốc độ Động cơ

Không điều chỉnh bộ chế hòa khí hoặc tốc độ động cơ. Bộ chế hòa khí được lắp đặt tại nhà máy để hoạt động hiệu quả trong hầu hết các điều kiện. Không thay lò xo, liên kết hoặc các bộ phận khác để thay đổi tốc độ động cơ. Nếu cần điều chỉnh, liên hệ với Đại lý Dịch vụ Ủy quyền của Briggs & Stratton để được bảo trì.

### LƯU Ý

Nhà sản xuất thiết bị quy định tốc độ tối đa cho động cơ khi lắp trên thiết bị. Không được vượt quá tốc độ này. Nếu bạn không chắc chắn tốc độ tối đa của thiết bị là bao nhiêu, hay tốc độ động cơ được thiết đặt ở nhà máy là bao nhiêu, hãy liên hệ với Đại lý Dịch vụ Ủy quyền của Briggs & Stratton để được hỗ trợ. Để vận hành thiết bị an toàn và phù hợp, chỉ kỹ thuật viên có trình độ mới được phép điều chỉnh tốc độ động cơ.

## Bảo dưỡng bugi

Kiểm tra khoảng cách bugi (A, Hình 7) bằng thước đo dây (B). Nếu cần, hãy đặt khoảng cách bugi. Lắp đặt và vận chuyển bugi đến mức lực mô-men phù hợp. Để biết thông số kỹ thuật về khoảng cách hoặc lực mô-men xoắn, hãy tham khảo mục *Thông số kỹ thuật*.

## Bảo dưỡng hệ thống xả và làm mát



**CẢNH BÁO** Trong quá trình hoạt động, động cơ và bộ giảm âm trở nên nóng. Nếu chạm vào động cơ đang nóng, bạn có thể bị bỏng nhiệt.

Các vật liệu dễ cháy, chẳng hạn như lá cây, cỏ và cây bụi, có thể bắt lửa.

- Trước khi chạm vào động cơ hoặc bộ giảm âm, hãy dừng động cơ và đợi hai (2) phút. Đảm bảo rằng động cơ và bộ giảm âm an toàn khi chạm vào.
- Loại bỏ các mảnh vụn khỏi bộ giảm âm và động cơ.

Sử dụng hoặc vận hành động cơ trên nền đất có trồng rừng, trồng các bụi cây nhỏ, hoặc trồng cỏ sẽ vi phạm Phần 4442 Luật Tài nguyên Công của Tiểu bang California trừ khi hệ thống ống xả khói thải có trang bị bộ khử tia lửa, như qui định trong phần 4442, được duy trì ở điều kiện hoạt động hiệu quả. Các tiểu bang hoặc khu vực pháp lý liên bang khác có thể có luật tương tự; tham chiếu Quy định Liên bang 36 CFR Phần 261.52. Hãy liên hệ với nhà sản xuất thiết bị gốc, nhà bán lẻ, hay đại lý cung cấp để có được bộ chặn tia lửa được thiết kế cho hệ thống xả lắp đặt trên động cơ này.

Đây là động cơ được làm mát bằng khí. Bụi bẩn hoặc vật liệu không mong muốn có thể ngăn cản luồng không khí và khiến động cơ quá nóng. Điều này dẫn đến hiệu suất không đạt yêu cầu và làm giảm tuổi thọ của động cơ. Các cảnh tán nhiệt làm mát xi-lanh có thể hút các vật liệu không mong muốn mà không thể loại bỏ nếu không tháo rời một phần động cơ. Đảm bảo rằng Đại lý Dịch vụ Ủy quyền của Briggs & Stratton kiểm tra và làm sạch hệ thống làm mát bằng khí. Hãy xem *Lịch bảo trì*.

- Đảm bảo rằng không có vật liệu dễ cháy xung quanh và phía sau bộ giảm âm.
- Sử dụng bàn chải hoặc vải khô để loại bỏ tất cả các vật liệu không mong muốn khỏi nắp hộp máy thổi, bộ giảm âm và khu vực xi-lanh. KHÔNG sử dụng nước để làm sạch động cơ.
- Đảm bảo rằng các liên kết, lò xo và bộ điều khiển sạch sẽ.
- Kiểm tra ống xả xem có vết nứt, ăn mòn hoặc hư hỏng khác hay không.
- Tháo bộ làm lạnh hoặc bộ triệt lửa, nếu được lắp đặt, và kiểm tra xem có bị hư hại hoặc rò rỉ các-bon hay không. Đảm bảo rằng bạn vệ sinh sạch sẽ hoặc lắp đặt các bộ phận thay thế trước khi vận hành thiết bị.

## Thay Nhớt Động cơ



**CẢNH BÁO** Nhiên liệu và hơi của động cơ rất dễ cháy nổ. Cháy hoặc nổ có thể dẫn đến bỏng hoặc tử vong.

**Trong quá trình hoạt động, động cơ và bộ giảm âm trở nên nóng. Nếu chạm vào động cơ đang nóng, bạn có thể bị bỏng nhiệt.**

- Nếu rút dầu từ ống châm dầu phía trên, thì bình nhiên liệu phải cạn hết. Nếu nó không được làm cạn, có thể xảy ra rò rỉ nhiên liệu và gây cháy hoặc nổ.
- Trước khi chạm vào động cơ hoặc bộ giảm âm, hãy dừng động cơ và đợi hai (2) phút. Đảm bảo rằng động cơ và bộ giảm âm an toàn khi chạm vào.

Dầu đã qua sử dụng là loại chất thải nguy hại và phải được thải bỏ đúng cách. Không đổ bỏ cùng với rác sinh hoạt. Liên hệ với chính quyền địa phương, trung tâm dịch vụ hoặc đại lý chuyên dịch vụ đổ bỏ hoặc tái chế an toàn.

## Hút Dầu

- Khi động cơ đã TẮT nhưng vẫn còn ấm, ngắt kết nối (các) dây bugi (D, Hình 8) và để cách xa (các) bugi (E).
- Lấy que thăm dầu ra (A, Hình 9).

## Nắp Xả Dầu, nếu được lắp đặt

- Tháo ổ cắm hút cạn dầu (F, Hình 10). Trút dầu nhờn vào một bình chứa loại được phê chuẩn.

**GHI CHÚ:** Các nắp xả dầu (G, Hình 10) đều có thể được lắp vào động cơ.

- Sau khi đã xả hết dầu, lắp lại và siết chặt nắp xả dầu (F, Hình 10).

## Bộ xả dầu nhanh, nếu được lắp đặt

- Ngắt kết nối vòi xả dầu nhanh (H, Hình 11) từ bên hông động cơ.
- Vặn và tháo nắp xả dầu (I, Hình 11). Cẩn thận hạ thấp bộ xả dầu nhanh (H) vào một bình chứa được chấp thuận (J).
- Sau khi đã xả hết dầu, lắp nắp bộ xả dầu nhanh (I, Hình 11). Gắn vòi xả dầu nhanh (H) vào bên hông động cơ.

## Thay Bộ lọc dầu

- Rút sạch dầu khỏi động cơ. Tham khảo mục *Hút Dầu*.

- Tháo bộ lọc dầu (H, Hình 12) và tháo dầu đúng cách.
- Trước khi lắp bộ lọc dầu mới, bôi trơn một chút cho gioăng bộ lọc dầu bằng dầu sạch.
- Lắp bộ lọc dầu bằng tay cho đến khi gioăng tiếp xúc với bộ tiếp nhận bộ lọc dầu, sau đó vận chặt bộ lọc dầu bằng cách xoay ½ đến ¾ vòng.
- Tra dầu. Tham khảo mục **Thêm Dầu**.
- Khởi động và vận hành động cơ. Khi động cơ nóng lên, kiểm tra xem có rò rỉ dầu không.
- Hãy tắt động cơ. Đảm bảo mức dầu ở trên cùng bộ chỉ báo đầy trên que thăm dầu. Tham khảo mục **Thêm Dầu**.

## Tra Dầu

- Phải đặt động cơ nằm thật cân bằng.
- Vệ sinh sạch sẽ khu vực rót dầu.
- Xem mục **Thông số Kỹ thuật** để biết công suất dầu.

- Lấy que thăm dầu ra (A, Hình 4). Hút sạch dầu trên que thăm dầu bằng vải sạch.
- Từ từ đổ dầu vào trong lỗ nạp dầu động cơ (C, Hình 4). **Không đổ quá nhiều dầu vào bình dầu động cơ.** Sau khi tra dầu, đợi một phút sau đó kiểm tra mức dầu.

**GHI CHÚ:** Không thêm dầu vào bộ phận hút dầu nhanh, nếu được trang bị.

- Lắp vào và vận chặt que thăm (A, Hình 4).
- Tháo que thăm và kiểm tra mức dầu. Điều chỉnh mức dầu ở trên cùng bộ chỉ báo (B, Hình 4) trên que thăm dầu.
- Lắp vào và vận chặt que thăm (A, Hình 4).
- Kết nối (các) dây bugi vào (các) bugi. Xem phần **Hút dầu**.

## Bảo dưỡng bộ lọc khí

### CẢNH BÁO

Hơi nhiên liệu cực kỳ dễ cháy và dễ nổ. Cháy hoặc nổ có thể dẫn đến bỏng hoặc tử vong.

- Không khởi động và vận hành động cơ khi đã tháo bộ giàn lọc khí (nếu có) hoặc bộ lọc khí (nếu có).

### LƯU Ý

Không được sử dụng khí nén hoặc dung môi để làm sạch bộ lọc. Khí nén có thể làm hư hại bộ lọc và dung dịch sẽ làm chảy bộ lọc.

Xem mục **Lịch Bảo trì** để biết các yêu cầu bảo trì.

Các mẫu máy khác nhau sẽ sử dụng tấm lọc xốp hoặc lọc giấy. Một vài mẫu cũng có thể có bộ lọc sơ cấp tùy chọn có thể rửa và sử dụng lại. So sánh các hình minh họa trong sổ tay này với kiểu bộ lọc lắp trên động cơ của bạn và thực hiện bảo trì như sau.

## Bộ lọc gió bằng Giấy

- Kéo lên trên tay cầm của nắp (A, Hình 13). Vận tay cầm của nắp theo chiều của động cơ và sau đó tháo nắp (B).
- Tháo bộ làm sạch sơ cấp (C, Hình 13), nếu được lắp đặt, và bộ lọc (D).
- Để lấy vụn bẩn ra, gõ nhẹ bộ lọc (D, Hình 13) lên một bề mặt cứng. Nếu bộ lọc bị bẩn, phải thay bộ lọc mới.
- Làm sạch bộ làm sạch sơ cấp (C, Hình 13) trong dung dịch tẩy rửa và nước. Để bộ làm sạch sơ cấp (C) khô hoàn toàn. **KHÔNG** bôi trơn bộ làm sạch sơ cấp.
- Lắp bộ làm sạch sơ cấp khô (C, Hình 13) và bộ lọc (D) vào để động cơ (E).
- Sắp xếp các thanh (F, Hình 13) lên nắp (B) vào các khe (G) trong khoang thổi.
- Vận tay cầm của nắp (A, Hình 13) lại và ấn xuống để khóa vào đúng vị trí.

## Bộ lọc gió bằng Giấy

- Vận lồng (các) chốt (A, Hình 14).
- Tháo nắp (B, Hình 14).
- Để tháo bộ lọc (C, Hình 14), nhấn phần cuối của bộ lọc và kéo bộ lọc ra khỏi ống hút (D).
- Để lấy vụn bẩn ra, gõ nhẹ bộ lọc (D, Hình 14) lên một bề mặt cứng. Nếu bộ lọc bị bẩn, phải thay bộ lọc mới.
- Tháo bộ làm sạch sơ cấp (E, Hình 14), nếu được lắp đặt, khỏi bộ lọc (C).
- Làm sạch bộ làm sạch sơ cấp (E, Hình 14) trong dung dịch tẩy rửa và nước. Để bộ làm sạch sơ cấp (E) khô hoàn toàn. **KHÔNG** bôi trơn bộ làm sạch sơ cấp.
- Lắp bộ làm sạch sơ cấp khô (E, Hình 14), nếu được lắp đặt, vào bộ lọc (C).
- Lắp bộ lọc (C, Hình 14) vào ống hút (D). Ấn phần cuối của bộ lọc vào để động cơ. Đảm bảo rằng bộ lọc được lắp chặt vào để động cơ.
- Lắp nắp chụp bộ lọc khí (B, Hình 14) và gắn bằng (các) chốt (A).

## Bảo trì Hệ thống Nhiên liệu



### CẢNH BÁO

Nhiên liệu và hơi của động cơ rất dễ cháy nổ. Cháy hoặc nổ có thể dẫn đến bỏng hoặc tử vong.

- Đề nhiên liệu xa tia lửa, ngọn lửa mở, đèn hiệu sử dụng khí đốt, nguồn nhiệt và các nguồn bắt lửa khác.
- Thường xuyên kiểm tra các đường ống dẫn nhiên liệu, bình xăng, nắp nhiên liệu và các mối nối để phát hiện các vết nứt hoặc rò rỉ. Thay các bộ phận bị hư hỏng.
- Nếu nhiên liệu bị vấy đổ, hãy đợi cho đến khi nó khô trước khi khởi động động cơ.

## Bộ lọc Nhiên liệu, nếu được lắp đặt

- Trước khi thay thế bộ lọc nhiên liệu (A, Hình 15), hãy xả cạn bình nhiên liệu hoặc đóng van khoá nhiên liệu lại. Nếu bình nhiên liệu không được xả hết, có thể xảy ra rò rỉ nhiên liệu và gây cháy hoặc nổ.
- Dùng kim siết các tai (B, Hình 15) trên kẹp (C). Dịch chuyển kẹp ra xa bộ lọc nhiên liệu (A).
- Xoắn và kéo ống nhiên liệu (D, 15) ra khỏi bộ lọc nhiên liệu.
- Kiểm tra ống nhiên liệu (D, Hình 15) xem có bị nứt hoặc rò rỉ không. Nếu cần thiết, hãy thay thế các đường dẫn nhiên liệu.
- Thay bộ lọc nhiên liệu (A, Hình 15).
- Gắn các đường dẫn nhiên liệu (D, Hình 15) bằng kẹp (C).

## Bộ lọc Nhiên liệu, nếu được lắp đặt

- Lấy nắp bình nhiên liệu ra (A, Hình 16).
- Tháo nắp bộ lọc nhiên liệu (B, Hình 16).
- Nếu bộ lọc nhiên liệu bẩn, hãy vệ sinh hoặc thay thế nó. Nếu thay lưới lọc mảnh vụn, hãy đảm bảo sử dụng lưới lọc mảnh vụn thay thế của thiết bị gốc.

## Bảo quản Hệ thống Nhiên liệu

Tham khảo Hình: 17.

### CẢNH BÁO

Nhiên liệu và hơi của động cơ rất dễ cháy nổ. Cháy hoặc nổ có thể dẫn đến bỏng hoặc tử vong.

### Lưu trữ nhiên liệu

- Vì đèn chỉ báo hoặc các nguồn đánh lửa khác có thể gây nổ, hãy để nhiên liệu hoặc thiết bị cách xa lò, bếp, máy nước nóng hoặc các thiết bị khác có đèn chỉ báo.

Giữ động cơ ở vị trí thẳng bằng (vị trí vận hành thông thường). Nạp nhiên liệu vào bình nhiên liệu (A, Hình 17). Để dự phòng sự giãn nở của nhiên liệu, không đổ vượt quá cổ bình nhiên liệu (B).

Nhiên liệu có thể bị cũ đi nếu để trong thùng chứa quá 30 ngày. Nên sử dụng chất ổn định nhiên liệu không chứa cồn và xử lý ethanol trong thùng chứa nhiên liệu để tránh cho nhiên liệu bị giảm chất lượng và giữ cho nhiên liệu luôn mới.

Khi bạn đổ nhiên liệu vào thùng chứa, hãy thêm chất ổn định nhiên liệu không chứa cồn theo hướng dẫn của nhà sản xuất. Nếu xăng trong động cơ chưa được xử lý bằng chất ổn định nhiên liệu, nó phải được xả vào thùng chứa đã được phê duyệt. Vận hành động cơ cho đến khi hết nhiên liệu.

## Dầu Động cơ

Trong khi động cơ vẫn còn ấm, hãy thay dầu động cơ. Tham khảo mục **Thay Dầu Động cơ**.

## Xử Lý Sự Cố

### Hỗ trợ

Để được hỗ trợ, hãy liên hệ với đại lý tại địa phương của bạn hoặc truy cập **BRIGGSandSTRATTON.COM** hoặc gọi **1-800-444-7774** (tại Hoa Kỳ).

## Thông số kỹ thuật và bộ phận hoạt động

Thông số Kỹ thuật	Mẫu: 210000	Mẫu: 310000
Dung tích xy lanh	21.01 ci (344 cc)	30.59 ci (501 cc)
Đường kính xy lanh	3.437 in (87,30 mm)	3.563 in (90,49 mm)
Kỳ động cơ	2.264 in (57,51 mm)	3.062 in (77,77 mm)

Thông số Kỹ thuật	Mẫu: 210000	Mẫu: 310000
Dung tích Dầu - không có bộ lọc	42 - 44 oz (1,24 - 1,30 L)	42 - 44 oz (1,24 - 1,30 L)
Dung tích Dầu - có bộ lọc	46 - 48 oz (1,36 - 1,40 L)	46 - 48 oz (1,36 - 1,40 L)
Khe Nén Đánh lửa	.030 in (.76 mm)	.030 in (.76 mm)
Mô men Đánh lửa	180 lb-in (20 Nm)	180 lb-in (20 Nm)
Khe hở Phần ứng	0.010 - 0.014 in (0,25 - 0,36 mm)	0.010 - 0.014 in (0,25 - 0,36 mm)
Khoảng cách Van Đầu vào	0.003 - .005 in (0,08 - 0,13 mm)	0.003 - .005 in (0,08 - 0,13 mm)
Khoảng cách Van Đầu ra	0.005 - 0.007 in (0,13 - 0,18 mm)	0.005 - 0.007 in (0,13 - 0,18 mm)

## Phụ tùng

Để mua các phụ tùng của Briggs & Stratton, hãy tìm Đại lý Dịch vụ Ủy quyền tại BRIGGSandSTRATTON.COM. Bạn sẽ cần số định danh máy (mẫu máy - loại - số cấp). Xem phần **Các Tính năng và Điều kiện** để tìm số định danh máy của bạn.



## Định mức công suất

Tổng định mức công suất cho mỗi mẫu động cơ chạy xăng được dán nhãn theo Tiêu chuẩn J1940 - Quy trình Đánh giá Mô-men Xoắn & Công suất Động cơ Nhỏ của SAE (Hiệp hội Kỹ sư ô tô) và được định mức theo Tiêu chuẩn SAE J1995. Các giá trị mô men xoắn được tính ở tốc độ 2600 vòng/phút cho các động cơ có ghi "rpm" trên nhãn và 3060 vòng/phút đối với tất cả các loại khác; các giá trị mã lực được tính ở tốc độ 3600 vòng/phút. Có thể xem đường cong tổng công suất tại địa chỉ www.BRIGGSandSTRATTON.COM. Các giá trị công suất hiệu dụng được tính khi có lắp bộ lọc khí và khí thải, còn các giá trị tổng công suất được tính khi không lắp các chi tiết này. Tổng công suất thực tế của động cơ sẽ cao hơn công suất hiệu dụng của động cơ và bị ảnh hưởng bởi nhiều yếu tố, trong đó có điều kiện môi trường hoạt động và sự khác biệt giữa các động cơ. Do các sản phẩm mà động cơ sẽ được lắp vào rất đa dạng nên động cơ chạy xăng có thể không phát huy được tổng định mức công suất khi sử dụng trên thiết bị chạy điện nhất định. Nguyên nhân của sự khác biệt này bao gồm, nhưng không giới hạn ở, sự đa dạng của các chi tiết thành phần của động cơ (bộ lọc khí, đường xả, sạc, làm mát, bộ chế hòa khí, bơm nhiên liệu, v.v.), các giới hạn của ứng dụng, điều kiện môi trường hoạt động (nhiệt độ, độ ẩm, độ cao), sự khác biệt giữa các động cơ. Do các giới hạn về sản xuất và sản lượng, Briggs & Stratton có thể thay thế một động cơ có công suất định mức cao hơn cho loại động cơ này.

## Bảo hành

### Bảo hành Động cơ Briggs & Stratton®

Có hiệu lực từ tháng 8 năm 2022

#### Bảo hành Giới hạn

Briggs & Stratton bảo đảm rằng, trong thời gian bảo hành quy định dưới đây, công ty sẽ sửa chữa hoặc thay thế miễn phí, với phụ tùng mới, được cài tạo hoặc sản xuất lại, mọi chi tiết bị lỗi vật liệu hoặc kỹ thuật sản xuất hoặc cả hai. Người mua chịu chi phí vận chuyển thiết bị gửi đi sửa chữa hoặc thay thế theo chính sách bảo hành này. Bảo hành này có hiệu lực trong khoảng thời gian và theo các điều kiện nêu dưới đây. Để thực hiện dịch vụ bảo hành, vui lòng tìm Đại lý Dịch vụ Ủy quyền gần nhất trên bản đồ tìm kiếm đại lý của chúng tôi tại BRIGGSandSTRATTON.COM. Người mua phải liên hệ với Đại lý Dịch vụ Ủy quyền và sau đó đưa thiết bị đến Đại lý Dịch vụ được Ủy quyền để được kiểm tra.

**Chúng tôi không có chính sách bảo hành công khai nào khác.** Bảo hành ngụ ý, bao gồm các bảo hành về tính thương mại và sự phù hợp cho một mục đích cụ thể, được giới hạn trong một năm kể từ ngày mua, hoặc trong phạm vi pháp luật cho phép. Tất cả các bảo hành ngụ ý khác đều bị loại trừ. **Trách nhiệm đối với thiệt hại ngẫu nhiên hoặc do hậu quả được loại trừ** trong trường hợp việc loại trừ đó được luật cho phép. Một số tiểu bang hoặc quốc gia không cho phép các giới hạn về thời gian bảo hành ngụ ý và một số tiểu bang hoặc quốc gia không cho phép loại trừ hoặc giới hạn các thiệt hại ngẫu nhiên hoặc do hậu quả, do đó các giới hạn và loại trừ trên có thể không áp dụng đối với quý vị. Bảo hành này trao cho bạn quyền pháp lý cụ thể và bạn có thể có các quyền khác tùy theo tiểu bang và quốc gia.

Điều khoản Bảo hành Tiêu chuẩn <sup>1, 2</sup>
<b>Vanguard®; Dòng thương mại</b>
Sử dụng Thông thường - 36 tháng
Sử dụng cho mục đích Thương mại - 36 tháng
<b>XR Series</b>
Sử dụng Thông thường - 24 tháng
Sử dụng cho mục đích Thương mại - 24 tháng

Điều khoản Bảo hành Tiêu chuẩn <sup>1, 2</sup>
<b>Tất cả Động cơ Khác Trang bị Màng sóng Thép Đức Dura-Bore™</b>
Sử dụng Thông thường - 24 tháng
Sử dụng cho mục đích Thương mại - 12 tháng
<b>Tất cả các Động cơ Khác</b>
Sử dụng Thông thường - 24 tháng
Sử dụng cho mục đích Thương mại - 3 tháng

<sup>1</sup> Đây là những điều khoản bảo hành tiêu chuẩn của chúng tôi, nhưng tùy từng thời điểm sẽ có phạm vi bảo hành bổ sung vốn chưa được quyết định tại thời điểm công bố. Để biết thêm thông tin về thời hạn bảo hành hiện tại cho động cơ của quý vị, vui lòng truy cập BRIGGSandSTRATTON.COM hoặc liên hệ với Đại lý Dịch vụ Ủy quyền của Briggs & Stratton.

<sup>2</sup> Không có bảo hành cho động cơ trên thiết bị được sử dụng làm nguồn điện sơ cấp cho một cơ sở; máy phát điện dự phòng sử dụng cho mục đích thương mại, xe dịch vụ đa năng trên 25MPH hoặc các động cơ đua hoặc cho mục đích thương mại hoặc cho các đường đua cho thuê.

\* Tại Úc - Các mặt hàng của chúng tôi được đảm bảo không bị loại trừ theo Luật Người tiêu dùng Úc. Quý vị có quyền được thay thế hoặc được hoàn lại tiền nếu thiết bị có hỏng hóc lớn và được bồi thường cho mọi tổn thất hoặc hư hại có thể dự đoán một cách hợp lý khác. Quý vị cũng có quyền được sửa chữa hoặc thay thế sản phẩm nếu sản phẩm không đạt chất lượng chấp nhận được và hỏng hóc không lớn. Đối với dịch vụ bảo hành, tìm Đại lý Dịch vụ Ủy quyền trên bản đồ tìm kiếm đại lý của chúng tôi tại BRIGGSandSTRATTON.COM, hoặc gọi 1300 274 447, hoặc gửi email hoặc văn bản tới salesenquiries@briggsandstratton.com.au, Briggs & Stratton Australia Pty Ltd, 1 Moorebank Avenue, Moorebank, NSW, Australia, 2170.

Thời hạn bảo hành bắt đầu từ ngày mà người tiêu dùng bán lẻ hoặc người sử dụng cuối cùng mua sản phẩm và liên tục trong khoảng thời gian nêu trên. "Sử dụng cho mục đích tiêu dùng" nghĩa là một người tiêu dùng bán lẻ sử dụng cho gia đình dân cư cá nhân. "Sử dụng cho mục đích thương mại" là tất cả các ứng dụng khác, bao gồm sử dụng cho thương mại, sản xuất hoặc các mục đích cho thuê. Khi thiết bị đã được sử dụng cho mục đích thương mại, thiết bị đó sau này sẽ vẫn được coi là sử dụng cho thương mại đối với các mục đích của bảo hành này.

**Không cần thiết phải đăng ký bảo hành thì bạn mới được bảo hành cho sản phẩm Briggs & Stratton. Vui lòng lưu giữ chứng từ mua hàng của quý vị. Nếu bạn không cung cấp được chứng từ mua hàng để xác nhận ngày mua hàng đầu tiên làm căn cứ bảo hành dịch vụ theo yêu cầu, ngày sản xuất của thiết bị sẽ được sử dụng để xác định thời gian bảo hành.**

#### Về Dịch Vụ Bảo Hành Cho Quý vị

Bảo hành giới hạn này chỉ bảo hành cho các vấn đề về nguyên vật liệu liên quan tới động cơ và/hoặc các vấn đề về tay nghề sản xuất và không bao gồm việc thay thế hoặc hoàn trả thiết bị sử dụng động cơ đó. Bảo dưỡng định kỳ, hiệu chỉnh, điều chỉnh hoặc hao mòn thông thường không bao gồm trong bảo hành này. Tương tự như vậy, bảo hành không áp dụng nếu động cơ đã bị thay đổi hoặc sửa đổi hoặc nếu số seri động cơ đã bị tẩy xóa hoặc gỡ bỏ. Bảo hành này không bao gồm động cơ bị hư hỏng hoặc các vấn đề gây ra bởi:

- Sử dụng phụ tùng không phải phụ tùng của Briggs & Stratton
- Vận hành động cơ không đủ dầu nhờn, dầu bị ô nhiễm hoặc dầu không đúng chủng loại;
- Việc sử dụng nhiên liệu bị ô nhiễm hoặc cũ, xăng pha chế với ethanol lớn hơn 10% hoặc sử dụng nhiên liệu thay thế như dầu mỡ hóa lỏng hoặc khí thiên nhiên trong động cơ ban đầu không được thiết kế/sản xuất bởi Briggs & Stratton để sử dụng các nhiên liệu đó;
- Bụi bẩn xâm nhập vào động cơ do bảo trì bộ làm sạch khí hoặc lắp lại bộ làm sạch khí không đúng;
- Va lưới cắt của máy cắt vào một vật lắp lỏng hoặc không đúng cách các lưới cắt, cánh bơm hoặc các thiết bị trực khuỷu khác, hoặc vành đai thắt quá chặt;
- Kết hợp các bộ phận hoặc các cụm như bộ ly hợp, hộp số truyền động, Briggs & Stratton
- Quá nóng do cắt cỏ, bụi bẩn và các mảnh vụn hoặc tổ của loài gặm nhấm làm tắc nghẽn quạt làm mát hoặc khu vực bánh đà hoặc do vận hành động cơ không đủ thông gió;
- Rung động quá mức do chạy quá tốc độ, lắp động cơ lỏng, lưới cắt hoặc bánh đà bị lỏng hoặc không cân bằng hoặc khớp nối không đúng cách các bộ phận thiết bị với trục khuỷu;
- Sử dụng sai, thiếu bảo dưỡng định kỳ, vận chuyển, xử lý hoặc lưu kho thiết bị hoặc lắp đặt động cơ không đúng.

Dịch vụ bảo hành chỉ có tại các Đại lý Dịch vụ Ủy quyền của Briggs & Stratton. Xác định vị trí Đại lý Dịch vụ Ủy quyền gần nhất của quý vị trên bản đồ tìm kiếm đại lý tại BRIGGSandSTRATTON.COM hoặc bằng cách gọi đến 1-800-444-7774 (tại Hoa Kỳ).

80114782 (Bản sửa đổi A)

## 一般信息



本手册包含安全信息，使您了解与发动机有关的危险和风险以及如何预防这些危险和风险。它还提供了有关发动机正确使用和保养的说明。请您务必阅读、理解和遵守这些说明。保留本手册以备将来参考。

注释：本手册中的图示仅供参考，可能与您的特定型号有所不同。请使用与您发动机的配置相符的图示。如有必要，请与授权服务经销商联系。

如需更换部件，请记录购买日期、发动机型号、类型、Trim 以及发动机序列号。这些信息位于您的发动机上。参见功能和控制装置章节。

购买日期	
发动机型号 - 类型 - Trim	
发动机序列号	

## 欧洲办事处联系信息

对于欧洲排放相关问题，请联系我们的欧洲办事处：

id="European\_Contact\_Info"Max-Born-Straße 2, 68519 Viernheim, Germany.

## 欧盟 (EU) 第五阶段 (5) : 二氧化碳 (CO2) 值

在 BriggsandStratton.com 网站的搜索窗口中输入 CO2，可以查找 Briggs & Stratton 具有欧盟型式批准证书的发动机的二氧化碳值。

## 操作安全

### 安全警告符号和警示语



安全警告符号 用于标识可能导致人员受伤的危险相关安全信息。信号用语（危险、警告或小心）配合警告符号用于指示伤害的可能性和潜在严重程度。此外，危险符号用于表示危险的类型。

危险表示如果不避免，就会导致死亡或严重受伤的危险。

警告表示如果不避免，就有可能导致死亡或严重受伤的危险。

小心表示如果不避免，就有可能导致轻微或中等程度受伤的危险。

须知表示被视为重要事项但无相关危险的信息。

### 危险符号和含义

关于可引起人员受伤的危险的安全信息。	操作或维修设备前，阅读并理解操作手册。
火灾危险	爆炸危险
触电危险	有毒烟雾危险
热表面危险	回转危险
截肢危险——移动部件	汽油油位 - 最高请勿加油过满

## 安全及使用事项



警告

Briggs & Stratton® 发动机不意用于以下设备，且不可为以下设备提供动力：娱乐卡丁车、比赛卡丁车；儿童娱乐设施，或者全地形运动车辆 (ATV)；摩托车；气垫船；飞机产品，或者任何 Briggs & Stratton 没有批准的竞赛活动所使用的车辆。关于竞赛用发动机产品的信息，请参见 [www.briggsracing.com](http://www.briggsracing.com)。如要用于公用设施和并排 ATV，请联系 Briggs & Stratton 动力应用中心，电话 1-866-927-3349。不正确的发动机使用可能会导致死亡或者严重伤害。

## 回收信息

		按照政府法规的要求回收所有纸箱、盒子、废油和电池。
--	--	---------------------------

## 功能和控制装置

### 发动机控制装置

将图 1、2 和 3 中的标注字母与下面列表中的发动机控制装置进行比较：

- A. 发动机标识号 型号 - 类型 - 代码
- B. 火花塞
- C. 空气清洁剂
- D. 起动拉绳手柄 (若配备)
- E. 机油油尺
- F. 机油放油塞
- G. 消音器、消音器护板 (若配备)、火花消除器 (若配备)
- H. 导风罩外罩
- I. 机油滤清器 (若配备)
- J. 电起动机
- K. 汽化器
- L. 燃油滤芯 (若已安装)
- M. 燃油泵 (若已安装)
- N. 快速机油排放装置 (若配备)
- O. 电子控制器 (若配备)

### 发动机控制符号和含义

发动机速度 - 快速	发动机速度 - 慢速
发动机速度 - 停止	开 - 关
发动机起动阻风门关闭	发动机起动阻风门打开
油箱盖 汽油切断打开	汽油切断关闭

## 操作



警告 燃油蒸汽极其易燃、易爆。火灾或爆炸可能引起烧伤或死亡。

如果您闻到燃气味

- 请勿启动发动机。
- 请勿打开电气开关。
- 请勿在附近使用电话。
- 撤离现场。
- 联系消防部门。

当您操作设备时

- 切勿过度倾斜发动机或设备，导致燃油溢出。

当您移动设备的位置时

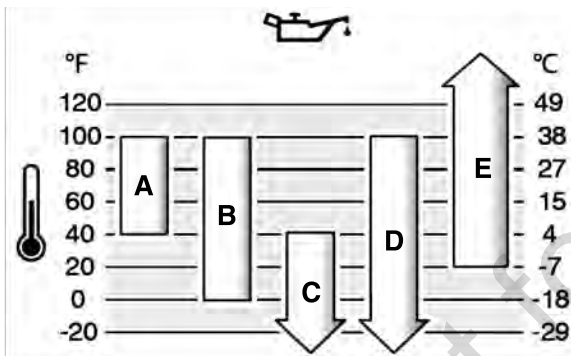
- 确保燃油箱已清空，或者燃油切断阀（若配备）处于关闭位置。

## 机油推荐

机油容量：请参见规格参数章节。

为确保最佳性能，我们建议使用 Briggs & Stratton® 认证机油。可以使用“符合 SF、SG、SH、SJ 级别”或更高级的优质清洗油。不要使用专门的添加剂。

利用图表为预期的室外温度范围选择最佳粘度。多数户外电力设备上的发动机都采用 5W-30 合成机油。对于在高温下运行的设备，Vanguard® 15W-50 Synthetic 机油具有最佳的保护效果。



A	SAE 30 - 低于 40°F (4°C)，使用 SAE 30 将导致很难启动。
B	10W-30 - 高于 80°F (27°C)，使用 10W-30 将导致机油油耗增加。经常检查机油油位。
C	5W-30
D	Synthetic 5W-30
E	Vanguard® Synthetic 15W-50

## 检查机油油位

在检查或添加机油之前

- 确保发动机保持水平。
- 清除机油注油区的碎屑。
- 有关机油容量，请参见规格章节。

注意

本发动机从 Briggs & Stratton 发运时没有机油。设备制造商或经销商可能已在发动机中加入了机油。在您第一次启动发动机之前，请确保机油处于正确的油位。按本手册中的说明加入机油。如果您在没有机油的情况下启动发动机，则发动机会损坏，且不在保修范围之内。

1. 拆下机油油尺（A，图 4）并用干净的布擦拭。
2. 安装并拧紧机油油尺（A，图 4）。
3. 拆下机油油尺并检查机油油位。确保机油油位处于机油油尺满指示（B，图 4）的顶部。
4. 如果机油油位低，将机油缓慢注入发动机注油器（C，图 4）。切勿注入太多机油。
5. 等待一分钟，然后再次检查机油油位。确保油位正确。
6. 安装并拧紧机油油尺（A，图 4）。

## 机油不足保护系统（若已安装）

有些发动机上安装了低油位传感器。如果机油不足，传感器将显示警告灯或停止发动机。停止发动机，并在启动发动机之前执行以下步骤。

- 确保发动机保持水平。

- 检查机油。请参阅检查机油油位章节。
- 如果机油油位过低，添加适量的机油。启动发动机，并确保警告灯（若已安装）没有启动。
- 如果机油油位不低，请勿启动发动机。请联系授权 Briggs & Stratton 经销商以解决机油问题。

## 燃油推荐

燃油必须满足这些要求：

- 干净、新鲜的无铅汽油。
- 至少 87 辛烷值/87 加压辛烷值 (AKI) (91 研究法辛烷值 (RON))。可在高海拔地区使用（如下所示）。
- 如果使用乙醇汽油，汽油最多可含 10% 酒精。

注意

请勿使用未经批准使用的汽油，如：E15 与 E85。请勿在汽油中混入其他机油，或者为了使用其他燃油而改动发动机。使用未经批准的燃油将损坏发动机组件，且不在保修范围之内。

为了防止燃油系统胶结和复试，请将不含酒精的燃油稳定剂和乙醇处理剂混入燃油中。参见存放章节。燃油并非全部一样。如果出现启动或者性能问题，请改换燃油供应商或品牌。本发动机经过认证只能使用汽油。用于化油器发动机的排放控制系统为 EM（发动机改装）。电子燃油喷射发动机的排放控制系统包括 ECM（发动机控制模块）、MPI（多端口喷射）以及 O2S（氧传感器）（若配有）。

高海拔

在海拔超过 5000 英尺（1524 米）的地区，可使用至少为 85 辛烷值/85 加压辛烷值 (AKI) (89 研究法辛烷值 (RON)) 的汽油。

对于化油发动机，为了保持性能，需要进行高海拔调节。如果不进行此调节而直接运行，则将会导致性能下降、油耗增加以及排放量增多。有关高海拔调节的信息，请咨询授权 Briggs & Stratton 经销商。如果在海拔低于 2500 英尺（762 米）的地区运转发动机，则不建议进行高海拔调节。

对于电子燃油喷射 (EFI) 发动机，无需进行高海拔调节。

## 添加汽油



警告 燃油及其蒸汽是易燃、易爆的。火灾或爆炸可能引起烧伤或死亡。

当您添加燃油时，

- 请停止发动机。在取下油箱盖之前，至少要等待两 (2) 分钟，以确保发动机冷却。
- 在户外或空气流通良好的场所给燃油箱加油。
- 切勿在燃油箱中放入过多的燃油。考虑到汽油的膨胀，切勿使油位超过燃油箱颈部的下部。
- 汽油应远离火花、明火、常燃小火、热源以及其它火源。
- 经常检查燃油管路、燃油箱、油箱盖及连接处是否有裂纹或泄漏。更换损坏的部件。
- 如果燃油溅出，应等到干燥后方可启动发动机。

1. 清除汽油注油区的灰尘和碎屑。取下油箱盖。
2. 将燃油注入燃油箱（A，图 5）。考虑到燃油的膨胀，切勿使油位超过燃油箱颈部的下部。
3. 装上油箱盖。

## 启动发动机



警告 有毒气体危险。发动机排出含有一氧化碳的气体，这是一种可在数分钟内致命的有毒气体。即使没有闻到排出的烟气，您仍然可能接触危险的一氧化碳气体。如果您在使用本产品时感到恶心、头晕或虚弱，请立即到有新鲜空气的地方。请就医。您可能已经一氧化碳中毒了。

- 一氧化碳气体会在封闭的空间中积聚。仅能在室外并远离窗户、门或通风口的地方操作本产品，以降低一氧化碳积聚风险。
- 根据制造商的说明书，安装带电池备份的电池驱动一氧化碳报警器或插件式一氧化碳报警器。烟雾报警器无法探测一氧化碳气体。
- 请勿在室内、车库、地下室、窄小空间、棚屋或其他封闭的空间内使用本产品，即使使用了风扇或打开了门和窗户进行通风也不行。使用本产品后，一氧化碳会迅速在这些空间中积聚，并停留数小时。
- 始终将本产品放在下风位置，并让发动机排气口避开有人区域。



**警告**  
燃油及其蒸汽是易燃、易爆的。火灾或爆炸可能引起烧伤或死亡。

#### 当您启动发动机时

- 确保火花塞、消音器、油箱盖和空滤器（如果配备）已安装到位。
- 切勿在拆下火花塞的情况下拉动启动拉绳或者转动曲轴。
- 如果发动机被淹没，则将阻风门（如果配备）设置到打开或运行位置。将油门（如有配备）移至快速位置，然后转动曲轴，直至发动机启动。
- 如果所处区域有天然气或者液化石油气泄漏，切勿启动发动机。
- 切勿使用加压的启动液体，因为液体蒸气可燃。



**警告**  
旋转的部件有可能会缠住手、脚、头发、衣服或饰品，导致外伤性截肢或撕裂。

- 在正确安装防护罩的情况下操作设备。
- 手脚应远离旋转部件。
- 取下首饰，确保长发远离所有旋转部位。
- 请勿穿戴宽松的衣服或可能被夹住的物品。



**警告**  
启动拉绳的快速缩回（反冲）会将手和手臂拉向发动机，您甚至来不及挣脱。这可能会导致骨折、断裂、擦伤或扭伤。

- 启动发动机时，慢慢拉起启动拉绳，直至感到阻力，然后快拉，以避免反冲。
- 启动发动机之前，应断开或移除所有外部设备和发动机负载。
- 确保直接耦合设备组件（包括但不限于叶片、叶轮、皮带轮、链轮）已牢固连接。

1. 检查发动机油。请参阅检查机油油位章节。
2. 确保设备驱动控制装置（若已安装）已经脱离。
3. 将燃油切断阀（A，图6）（若配备）转到“OPEN”（打开）位置
4. 将油门控制杆（B，图6）（若配备）打到“FAST”（快速）位置。
5. 对于带阻风门控制杆（C，图6）的型号，将阻风门控制杆打到“CLOSED”（关闭）位置。对于带阻风门/油门控制杆组合（G，图6）的型号，将控制杆打到“CHOKE”（阻风）位置。对于带 ReadyStart<sup>®</sup> 的型号，则转到下一步。

注释：在热机状态下启动发动机时，通常不需要阻风门。

6. 对于带电启动的型号，转动钥匙开关（D，图6）（若配备）至“ON/START”（开/启动）位置。

注意 对于带电启动的型号，当钥匙开关在“ON/START”（开/启动）位置时，电启动器会自动启动。

7. 对于带手拉启动的型号，转动钥匙开关（D，图6）（若配备）或其他停止开关至“ON”（开）位置。慢慢拉动启动器拉绳（E，图6），直至感到阻力，然后快速拉动。
8. 随着发动机升温，将阻风门控制杆（C，图6）（若配备）打到“OPEN”（打开）位置。

## 停止发动机



**警告**  
燃油及其蒸汽是易燃、易爆的。火灾或爆炸可能引起烧伤或死亡。

- 切勿通过阻塞化油器（若配备）来停止发动机。

1. 转动钥匙开关（D，图6）（若配备）或其他停止开关至“OFF”（关）位置。
2. 取下钥匙并放在安全的地方。
3. 在发动机停止之后，将燃油切断阀（A，图6）（若配备）打到“CLOSED”（关闭）位置。

## 维护

### 维护信息



**警告**  
燃油及其蒸汽是易燃、易爆的。火灾或爆炸可能引起烧伤或死亡。

维护过程中，如果需要倾斜设备，请确保燃油箱（如果安装在发动机上）已清空，并且火花塞一侧朝上。如果燃油箱不清空，则燃油可能会泄漏并引发火灾或爆炸。如果发动机倾斜的方向不同，就会因为空滤芯或火花塞的机油或燃油污染而不易于启动。



**警告**  
发动机的意外火花可能会引起触电、火灾或爆炸，并可能导致缠绕、外伤性截肢或撕裂。

#### 在进行调节或维修之前：

- 断开所有火花塞电线，并使其远离火花塞。
- 在负极端子处断开电池导线（仅对于配有电启动装置的发动机而言）。
- 仅使用正确的工具。

#### 当您检查火花时：

- 使用批准的火花塞测试仪。
- 切勿在拆下火花塞的情况下检查点火。



**警告**  
更换零件必须与原始零件相同，并且必须安装在相同的位置。其他部件可能会引起损坏或伤害。

#### 注意

用于构成该发动机的所有组件必须保持在正确操作的位置上。

关于发动机和发动机部件的所有维护和修理，请咨询 Briggs & Stratton 授权服务经销商。

## 排放控制服务

对于排放控制装置和系统的维护、更换或维修，请联系有资质的非公路发动机维修机构或维修技术人员。但是，如要获取“免费”的排放控制服务，该工作必须由工厂授权的经销商进行。参见“排放控制声明”。

## 维护计划

<b>头 5 个小时</b>	<ul style="list-style-type: none"> <li>• 更换发动机油<sup>1</sup>。</li> </ul>
<b>每隔 8 小时或每天</b>	<ul style="list-style-type: none"> <li>• 检查发动机机油液位。</li> <li>• 清洁消音器和控制装置周围的区域。</li> <li>• 清洁空气入口格栅。</li> </ul>
<b>每隔 25 小时或每年</b>	<ul style="list-style-type: none"> <li>• 清洁空滤芯<sup>2</sup>。</li> <li>• 清洁预滤器<sup>2</sup>。</li> </ul>
<b>每隔 50 小时或每年</b>	<ul style="list-style-type: none"> <li>• 更换发动机油<sup>3</sup>。</li> <li>• 更换机油滤芯（若配备）<sup>3</sup>。</li> <li>• 维修排气系统。</li> </ul>
<b>每隔 100 小时或每年</b>	<ul style="list-style-type: none"> <li>• 更换发动机油<sup>4</sup>。</li> <li>• 更换机油滤芯（若配备）<sup>4</sup>。</li> </ul>
<b>一年一次</b>	<ul style="list-style-type: none"> <li>• 更换火花塞。</li> <li>• 更换空滤芯。</li> <li>• 更换预滤器。</li> <li>• 更换燃油滤芯。</li> <li>• 维修冷却系统<sup>1</sup>。</li> <li>• 检查阀门间隙<sup>5</sup>。</li> </ul>

<sup>1</sup> 仅发动机，不带机油滤芯。

<sup>2</sup> 在多灰或者空气中存在粉尘颗粒的情况下，应提高清洁频率。

<sup>3</sup> 未装机油滤芯或装有标准黑色机油滤芯的发动机。如需部件号，请参见规格参数章节。

<sup>4</sup> 带高性能黄色或橙色机油滤芯的发动机。如需部件号，请参见规格参数章节。

<sup>5</sup> 不需要，除非出现发动机性能问题。

## 电子燃油喷射系统

电子汽油喷射系统在发动机启动和暖机时，监控发动机温度、发动机速度和电池电压以调节阻风门。系统上没有可调节的地方。如果出现启动或运行问题，请联系 Briggs & Stratton 授权服务经销商。

注意 请确保遵守这些规则，否则电子燃油喷射系统可能会损坏。

- 若电池电缆松弛，请勿启动发动机。
- 在连接快速启动电缆，或者断开或重新连接电池电缆之前，将点火开关转到“OFF”（关）位置。给电池充电时，将点火开关转到“OFF”（关）位置。
- 断开电池电缆与电池的连接时，先断开负极（-）电缆，然后再断开正极（+）电缆与电池的连接。连接电池电缆时，首先连接正极（+）电缆，然后再连接负极（-）电缆到电池上。
- 切勿使用电池充电器启动发动机。
- 在发动机运行期间，不要断电池电缆。
- 请勿直接喷水在电子控制单元上。

## 化油器和发动机速度

切勿调节化油器或发动机速度。化油器在出厂时已设置为在大多数情况下都能有效运行。请勿改动调速机构弹簧、连接件或其他部件来改变发动机速度。如果需要调节，请联系 Briggs & Stratton 授权服务经销商进行服务。

注意

设备制造商规定了在设备上安装的发动机的最大速度。请勿超过该速度。如果不确定设备最大速度，或不清楚出厂设置的发动机速度，请联系 Briggs & Stratton 授权服务经销商，获取帮助。为了安全和正确操作设备，发动机速度的调节仅能由有资质的维修技术人员进行。

## 维修火花塞

用线规 (B) 检查火花塞间隙 (A, 图 7)。必要时，设置火花塞间隙。以正确的扭矩安装和拧紧火花塞。有关间隙和扭矩规格，请参见规格参数章节。

## 维修排气和冷却系统



警告 在运行过程中，发动机和消音器会发热。如果触摸发热的发动机，则可能会引起热灼伤。

树叶、草、刷子等可燃材料可能会引发火灾。

- 在接触发动机或消音器之前，应停止发动机并等待两 (2) 分钟。确保发动机和消音器可以安全接触。
- 清除消音器和发动机上的杂物。

除非排气系统配有火花消除器（如《加州公共资源法规》第 4442 节的定义），并且以有效的工作顺序来维护，在任何森林、灌木或者草地覆盖区域使用或者操作发动机，即属违反《加州公共资源法规》(California Public Resource Code) 第 4442 节。其他州或联邦司法管辖区可能有类似的法律；请参考联邦法规 36 CFR Part 261.52。要获得专为此类发动机上安装的排放系统而设计的火花消除器，请联系原始设备制造商、零售商或者经销商。

这是风冷式发动机。污垢或碎屑会阻止空气流动，引起发动机过热，从而导致性能下降和缩短发动机寿命。碎屑可能积聚在汽缸散热片上，如果不对发动机进行部分拆卸，就无法清除这些碎屑。确保让 Briggs & Stratton 授权服务经销商检查和清洁空气冷却系统。请参阅维护计划章节。

1. 确保消音器周围和后面没有可燃物。
2. 使用刷子或干布从导风罩外罩、消音器和汽缸区域清除所有不需要的碎屑。切勿用水清洗发动机。
3. 确保连接杆、弹簧和控制装置清洁。
4. 检查消音器有无裂纹、腐蚀或其他损坏。
5. 拆下导向板或火花消除器（若配备），检查有无损坏或积碳。确保在操作设备之前清洁或安装更换部件。

## 更换发动机油



警告 燃油及其蒸汽是易燃、易爆的。火灾或爆炸可能引起烧伤或死亡。

在运行过程中，发动机和消音器会发热。如果触摸发热的发动机，则可能会引起热灼伤。

- 如果要顶部加油管放机油，必须清空燃油箱。如果燃油箱不清空，则燃油可能会泄漏并引发火灾或爆炸。
- 在接触发动机或消音器之前，应停止发动机并等待两 (2) 分钟。确保发动机和消音器可以安全接触。

用过的机油属于危险废物，必须妥善处理。切勿与生活垃圾一起丢弃。询问当地的主管机构、服务中心或者经销商是否有安全处理或回收设施。

## 放机油

1. 在发动机关闭但仍有余温时，断开火花塞导线 (D, 图 8) 并使其远离火花塞 (E)。

2. 拆下机油油尺 (A, 图 9)。

## 机油排放塞 (若已安装)

1. 拆下机油排放塞 (F, 图 10)。将机油排入批准的容器中。

注释：机油排放塞 (F, 图 10) 可安装到发动机中。

2. 机油排空后，安装并拧紧机油排放塞 (F, 图 10)。

## 快速机油排放装置 (若已安装)

1. 从发动机侧断开机油快速排放软管 (H, 图 11) 的连接。
2. 转动并拆下机油排放盖 (I, 图 11)。小心将快速机油排放装置 (H) 放下到批准的容器 (J) 中。
3. 机油排空后，安装机油快速排放盖 (I, 图 11)。将机油快速排放软管 (H) 连接到发动机侧。

## 更换机油滤芯

1. 从发动机排空机油。参见放机油章节。
2. 拆下机油滤芯 (H, 图 12) 并妥善处理。
3. 安装新的机油滤芯前，请用清洁的机油稍稍润滑下机油滤芯垫圈。
4. 用手安装机油滤芯，直至垫圈接触到机油滤芯适配接头。然后转动机油滤芯 1/2 到 3/4 圈。
5. 添加机油。参见加机油章节。
6. 启动并运行发动机。当发动机暖机后，检查机油泄漏情况。
7. 请停止发动机。确保机油油位处于机油油尺满指示的顶部。参见加机油章节。

## 添加机油

- 确保发动机保持水平。
- 清除机油注油区的碎屑。
- 有关机油容量，请参见规格章节。

1. 拆下机油油尺 (A, 图 4)。清除机油油尺上的油并用干净的布擦拭。
2. 将机油缓慢注入发动机注油器 (C, 图 4)。切勿在发动机注油器中放入过多的机油。等待一分钟，然后检查机油油位。

注释：请勿在机油快速排放口（若配备）添加机油。

3. 安装并拧紧机油油尺 (A, 图 4)。
4. 拆下机油油尺并检查机油油位。正确的机油油位应位于机油油尺满指示 (B, 图 4) 的顶部。
5. 安装并拧紧机油油尺 (A, 图 4)。
6. 将火花塞导线连接到火花塞上。参见放机油章节。

## 维修空滤芯



警告 燃油蒸汽极其易燃、易爆。火灾或爆炸可能引起烧伤或死亡。

- 切勿在拆下空滤芯总成（如果配备）或者空滤芯（如果配备）的情况下启动或者运行发动机。

注意

请勿使用加压空气或清洁剂清洁过滤器。加压空气会损坏滤芯，而溶剂会溶解滤芯。

有关维修要求，请参见维护计划。

不同的型号会使用泡沫或纸质滤芯。某些型号可能还配备可以洗涤和重用的选购预滤器。本手册中的图示与您发动机和服务中安装的类型对比如下。

## 纸质空滤芯

1. 向上推盖子手柄 (A, 图 13)。将盖子手柄向发动机方向转动，然后拆下盖子 (B)。
2. 拆下预滤器 (C, 图 13)（若配备）和过滤器 (D)。
3. 如要弄松不需要的材料，在硬质表面上轻敲过滤器 (D, 图 13)。如果滤芯脏，则更换新的滤芯。
4. 用液体清洁剂和水清洗预滤器 (C, 图 13)。让预滤器 (C) 充分干燥。切勿润滑预滤器。
5. 将干燥的预滤器 (C, 图 13) 和过滤器 (D) 组装到发动机底座 (E) 上。
6. 将盖子 (B) 上的锁销 (F, 图 13) 与鼓风机护罩上的槽 (G) 对齐。
7. 向后转动盖子手柄 (A, 图 13)，向下推入并锁定就位。

## 纸质空滤芯

1. 松开扣件 (A, 图 14)。
2. 拆下盖子 (B, 图 14)。
3. 如要拆下过滤器 (C, 图 14)，抬高过滤器的端头，然后将过滤器推离进口 (D)。

- 如要弄松不需要的材料，在硬质表面上轻敲过滤器 (D, 图 14)。如果滤芯太脏，则更换新的滤芯。
- 从空滤器 (C) 上拆下预滤器 (E, 图 14) (若配备)。
- 用液体清洁剂和水清洗预滤器 (E, 图 14)。让预滤器充分干燥。切勿润滑预滤器。
- 将干燥的预滤器 (E, 图 14) (若配备) 组装到空滤器 (C) 上。
- 将过滤器 (C, 图 14) 安装到进口 (D) 上。将过滤器的端头向下推入发动机底座。确保过滤器在发动机底座紧固。
- 安装空滤器盖子 (B, 图 14) 并用扣件固定。

## 维修燃油系统



**警告**  
燃油及其蒸汽是易燃、易爆的。火灾或爆炸可能引起烧伤或死亡。

- 汽油应远离火花、明火、常燃小火、热源以及其它火源。
- 经常检查燃油管路、燃油箱、油箱盖及连接处是否有裂纹或泄漏。更换损坏的部件。
- 如果燃油溅出，应等到干燥后方可启动发动机。

### 燃油滤芯 (若配备)

- 更换燃油滤芯之前 (A, 图 15)，排空燃油箱或者关闭燃油切断阀。如果燃油箱没有排空，可能会发生燃油泄漏，引起火灾或爆炸。
- 压紧夹具 (C) 上的卡销 (B, 图 15)，然后将夹具滑离燃油滤芯 (A)。
- 扭动燃油管 (D, 15) 并将其从燃油滤芯中拉出。
- 检查油管 (D, 图 15) 有无破损或泄漏。如有必要，更换燃油管路。
- 更换燃油滤芯 (A, 图 15)。
- 用夹具 (C) 连接油管 (D, 图 15)。

### 燃油过滤器 (若配备)

- 拆下汽油盖 (A, 图 16)。
- 拆下汽油过滤器 (B, 图 16)。
- 如果汽油过滤器脏污，请清洁或更换。如果更换汽油过滤器，确保使用原厂设备更换汽油过滤器。

## 存放

### 燃油系统

参阅图示：17。



**警告**  
燃油及其蒸汽是易燃、易爆的。火灾或爆炸可能引起烧伤或死亡。

### 燃油存放

- 远离炉、灶、热水器、其他有常燃小火的装置或其他点火源，因为它们会引起爆炸。

将发动机水平放置 (正常操作位置)。将燃油注入燃油箱 (A, 图 17)。考虑到燃油的膨胀，切勿使油位超过油箱颈部 (B)。

燃油在容器中存放 30 天以上就会陈旧老化。建议在燃油储存容器中使用不含酒精的燃油稳定剂和乙醇处理剂，以防止燃油降解并使燃油保持新鲜。

当您为燃油容器加注燃油时，请按照制造商的说明添加不含酒精的燃油稳定剂。如果发动机中的燃油未经燃油稳定剂处理，则必须将其排放到经批准的容器中。运转发动机，直到燃油耗尽。

## 发动机油

发动机仍发热时，更换发动机油。参见更换发动机油章节。

## 故障排除

### 帮助

如需帮助，则联系当地经销商或访问 BRIGGSandSTRATTON.COM 或致电 1-800-444-7774 (美国)。

## 规格参数和服务部件

规格参数	型号：210000	型号：310000
排量	21.01 立方英寸 (344 立方厘米)	30.59 立方英寸 (501 立方厘米)
缸径	3.437 英寸 (87,30 毫米)	3.563 英寸 (90,49 毫米)
行程	2.264 英寸 (57,51 毫米)	3.062 英寸 (77,77 毫米)

规格参数	型号：210000	型号：310000
机油容量 - 无滤清器	42 - 44 盎司 (1,24 - 1,30 升)	42 - 44 盎司 (1,24 - 1,30 升)
机油容量 - 带滤清器	46 - 48 盎司 (1,36 - 1,40 升)	46 - 48 盎司 (1,36 - 1,40 升)
火花塞间隙	.030 英寸 (.76 毫米)	.030 英寸 (.76 毫米)
火花塞扭矩	180 磅英寸 (20 牛米)	180 磅英寸 (20 牛米)
磁电机间隙	0.010 - 0.014 英寸 (0,25 - 0,36 毫米)	0.010 - 0.014 英寸 (0,25 - 0,36 毫米)
进气阀间隙	0.003 - .005 英寸 (0,08 - 0,13 毫米)	0.003 - .005 英寸 (0,08 - 0,13 毫米)
排气阀间隙	0.005 - 0.007 英寸 (0,13 - 0,18 毫米)	0.005 - 0.007 英寸 (0,13 - 0,18 毫米)

## 服务部件

要购买 Briggs & Stratton 服务部件，请在 BRIGGSandSTRATTON.COM 查找授权服务经销商。您需要提供您的识别号 (型号 - 类型 - Trim)。请参阅功能和控制装置章节，以找到您的发动机识别号。



## 额定功率

每种汽油发动机型号的总额定功率是根据 SAE (美国汽车工程师学会) 法规 J1940 (《小型发动机功率和扭矩评定程序》) 进行标注，根据 SAE J1995 进行评定的。扭矩值为发动机在 2600 RPM 转速下的值，其中“rpm”将在标签中标出进行解释，其余所有均为 3060 RPM 转速下得来的值；马力值来自 3600 RPM 转速。如需了解总功率曲线，请访问 www.BRIGGSandSTRATTON.COM。净功率值是在安装了排气装置和空气净化器的情况下获取的，而总功率值则是在没有上述附件的情况下收集的。实际的发动机总功率将高于发动机净功率，而且实际总功率值受很多因素的影响，包括环境运行条件和每个发动机的个体差异。由于安装发动机产品种类的多样，汽油发动机在某个特定设备上使用时可能无法产生所标定的总功率。这种差异是由于很多因素造成的，其中包括但不限于：发动机部件的多样性 (空气净化器、排气装置、输油装置、冷却装置、化油器、燃油泵等)；应用限制；环境运行条件 (温度、湿度、海拔) 以及每个发动机的个体差异。由于制造和产能方面的限制，Briggs & Stratton 可能会用更高额定功率的发动机替代该发动机。

## 保修

### Briggs & Stratton® 发动机保修

2022 年 8 月生效

#### 有限保修

Briggs & Stratton 承诺，在后文指定的保修期限内，将自行决定使用全新的、翻新或重新制造的部件来为您免费维修或更换在工艺及/或材料方面 (或两者都有) 存在缺陷的任何部件。对于根据本保修承诺送交维修或更换的产品，买方必须承担相关运输费用。本保修政策的适用期限和条件如下所述。如需保修服务，请访问 BRIGGSandSTRATTON.COM，在我们的经销商定位地图中查找距离最近的授权服务经销商。买方必须联系授权服务经销商，然后提供产品以便授权服务经销商开展检查与测试。

我们不作任何其他明示保修承诺。默示保修承诺 (包括关于适用性以及适用于某一特定目的之默示保修承诺) 的有效期限为自购买之日起的一年时间或法律所允许的期限。所有其他默示保修承诺均无效。根据法律所允许的免责限度免除关于附带或间接损害的责任。某些州/省或国家/地区不允许限定默示保修承诺的有效期限，而某些州/省或国家/地区不允许免除或限定附带或间接损害的相关责任，因此以上限定与免责条款于您可能不适用。本保修向您提供具体法律权利，您可能还拥有其它权利 (因地区和国家而异)。

### 标准保修期限<sup>1, 2</sup>

<b>Vanguard®; 商用系列</b>
家用 - 36 个月
商用 - 36 个月
<b>XR 系列</b>
家用 - 24 个月
商用 - 24 个月
<b>所有其他发动机特有 Dura-Bore™ 铸铁衬套</b>
家用 - 24 个月
商用 - 12 个月
<b>所有其它发动机</b>
家用 - 24 个月
商用 - 3 个月



<sup>1</sup> 这些是我们的标准保修条款，但在本条款此次印刷之后，偶尔可能会有新增的额外保修服务。如果您需要发动机的最新保修条款清单，请访问 BRIGGSandSTRATTON.COM 或者联系您的 Briggs & Stratton 授权服务经销商。

<sup>2</sup> 如果发动机被用于公用设施场所的主供电设备、商用后备发电机、速度超过 25 MPH 的多功能车、赛车或者商用或卡车赛道，则不享受保修。

\* 在澳大利亚——我们货品的保修不排除澳大利亚消费者法 (Australian Consumer Law)。您有权获得产品更换服务或重大故障退款，对于任何其他可合理预见的损失或破坏有权获得赔偿。此外，如果产品质量未能达到让人可以接受的水平，并且未构成重大故障，您还有权获得产品维修或更换服务。如需保修服务，请访问百力通网站 BRIGGSandSTRATTON.COM，查看我们的经销商位置图中离您最近的授权服务经销商，或致电 1300 274 447，或发送电邮至 salesenquiries@briggsandstratton.com.au，或寄信至 Briggs & Stratton Australia Pty Ltd, 1 Moorebank Avenue, Moorebank, NSW, Australia, 2170。

保修期限始于首位零售最终用户购买产品之日，有效期限为前文表格所指定的期限。“家用”表示零售消费者在个人住宅使用产品。“商用”表示其他所有的产品使用情况，包括用于商业、创收或租赁等方面的意图。一旦发动机被投入商用，则应适用本保修条款商用情况下的质保期。

**Briggs & Stratton 产品不需进行保修注册便可得到保修服务。请留存您的购买收据。申请保修服务之时，如未提供最初购买日期凭据，则利用产品的生产日期确定保修期限。**

#### 关于保修

本有限保修仅涵盖发动机相关的材料和/或工艺问题，不包括可能安装发动机的设备的更换或退款。本保修不包括日常维护、调节、调整或正常磨损。同样的，如果发动机已经改变或改装过，或如果发动机序列号已经损毁或丢失，本保修也不适用。本保修不包括由以下原因造成的发动机损坏或性能故障：

1. 使用非 Briggs & Stratton 通原配零件；
2. 在润滑油不足量、被污染或等级不正确的情况下操作发动机；
3. 使用被污染或不新鲜的燃油、乙醇含量超过 10% 的汽油，或在使用该类燃油操作的发动机上使用非 Briggs & Stratton 原厂设计/制造的替代燃油（如液化石油或天然气等）；
4. 由于空滤器保养或重新装配不当，造成脏污进入发动机；
5. 旋转草坪机的刀片碰到物体，松脱或不正确地安装刀片适配头、叶轮、或其他曲轴接头设备，或过度拧紧皮带；
6. 并非 Briggs & Stratton 提供的相关零件或部件（如离合器、变速箱、设备控制装置等）；
7. 由于草屑、脏污或碎屑、或巢穴堵塞住散热片或飞轮区域，或由于在没有足够通风的情况下操作发动机，而造成过热；
8. 由于速度过快、发动机安装不牢、刀片或叶轮不固定或不平衡、或到曲轴的设备组件的接头不正确，造成振动过大；
9. 滥用、缺乏日常保养、发运、搬运或仓储设备，或发动机安装不正确。

只有 Briggs & Stratton 授权服务经销商才能提供保修服务。请访问 BRIGGSandSTRATTON.COM 网站，查看我们的经销商位置图中离您最近的授权服务经销商，或者拨打服务热线 1-800-444-7774（美国境内）进行经销商查询。

80114782 (版本 A)

Not for  
Reproduction

Not for  
Reproduction



Not for  
Reproduction