



THE POWER WITHIN™



# WATER PUMP

## WHY DO YOU NEED A WATER PUMP?

Water pumps are a useful tool for a variety of residential, light commercial and agricultural tasks. A water pump is ideal for:

- Draining water from a basement.
- Draining and filling your swimming pool, pond, or hot tub.
- Draining shallow flooded areas.
- Irrigation purposes for agricultural or lawn sprinkling.
- Distributing fertilizers and pesticides.
- Various other tasks including construction purposes.

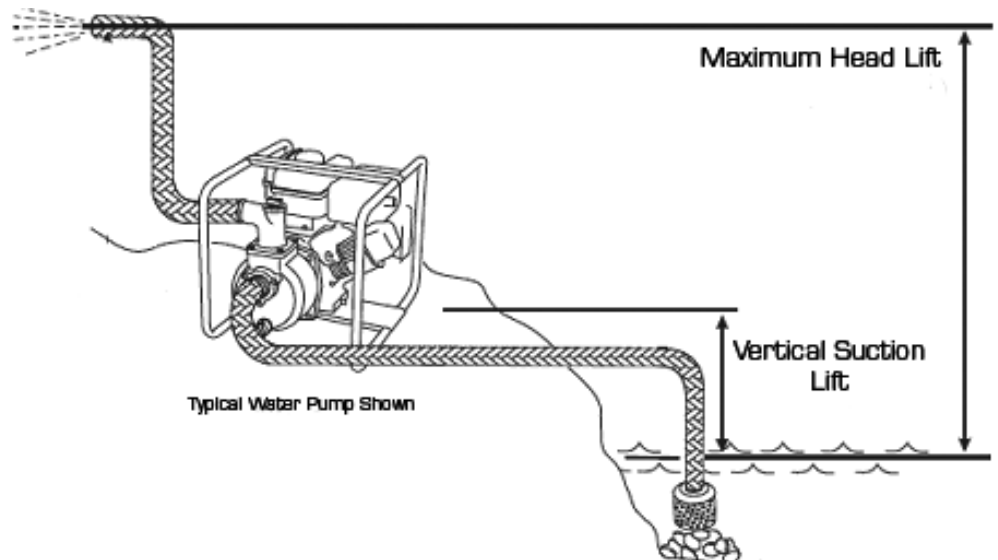
## HOW DO I CHOOSE THE RIGHT WATER PUMP ?

When shopping for a water pump there are various items to consider. All water pumps are measured in discharge capacity (GPM), vertical suction lift, and maximum head lift.

**GPM Discharge Capacity** is the rate of speed that water flows from the source to the discharge point, measured in gallons or liters per minute. It provides the power to move water quickly.

**Vertical Suction Lift** is the vertical distance from the water source to the pump. This is important for draining a basement or deep pond.

**Maximum Head Lift** is the total height from the source of the water to the destination or drainage point. This provides the power to move water over a distance.



## WHAT TYPES OF WATER PUMPS ARE AVAILABLE?

---

### **Transfer/Clear Water Pumps**

Transfer pumps are ideal for draining your hot tub or garden pond. In addition, they can be used to drain shallow flooded areas and for lawn sprinkling. These types of pumps are made for clear water pumping and should be free of debris; although they can handle small solids up to 0.5 meters.

### **Semi-Solid Pumps**

Semi-solid pumps tend to have similar characteristics to transfer pumps except that they are able to handle small solids of 0.5 - 2 meters. Semi-solid pumps are best suited for draining your pool or removing water from your basement.

### **Trash Pumps**

Trash pumps are able to pass solids from 0.2 - 5 meters and are used for commercial and agricultural use. Typically these pumps are used for irrigation, to drain small flooded areas or utilized on a construction site.

### **High-Pressure Pumps**

High-pressure pumps are designed to provide higher pressure at lower volumes. This is ideal for agricultural and hobby farm markets due to this type of pump's ability to move water over long distances

## FEATURE THAT MAKE A DIFFERENCE

---

When shopping for a water pump, look for features that you can depend on and that enable you to get easy starts, more effective cleaning, and longer life.

- All Briggs & Stratton water pumps are powered by Briggs & Stratton Engines, which are designed for easy starting, reliable performance, reduced noise and longer life. For heavy-duty water transfer or cleanup projects, look for engines with an OHV design, which delivers a cooler, cleaner and more fuel-efficient engine.
- Convenient outlets: Four-way discharge allows for easy hose installation and more connection options.
- Bayonet-style priming and drain plugs do not require tools and offer a simple 90-degree twist to release the plug.
- Ceramic mechanical seals provide long-life performance.
- Lightweight aluminum castings make it easy to move your pump around.

## VISIT YOUR DEALER

---

A great resource for finding the right unit is your Local Dealer who handles water pumps.

Be sure to start the unit and to try the controls. Don't hesitate to ask the dealer if he or she has a model that can be used for an on-site demonstration before making a final buying decision.

Know what you're looking at and how it can help you.  
Familiarize yourself with the various features and parts of a pressure washer  
before comparison shopping.

## **ASK FOR SERVICE**

---

All Briggs & Stratton powered products are supported by our large and unique service network. Should you need assistance, Briggs & Stratton has authorized warranty repair centers around the globe. Click "Find a Dealer" on our website <http://www.briggsandstratton.com>.

